

Simscape™ Electrical™

Reference



MATLAB® & SIMULINK®

R2020b



How to Contact MathWorks



Latest news: www.mathworks.com
Sales and services: www.mathworks.com/sales_and_services
User community: www.mathworks.com/matlabcentral
Technical support: www.mathworks.com/support/contact_us



Phone: 508-647-7000



The MathWorks, Inc.
1 Apple Hill Drive
Natick, MA 01760-2098

Simscape™ Electrical™ Reference

© COPYRIGHT 2013–2020 by The MathWorks, Inc.

The software described in this document is furnished under a license agreement. The software may be used or copied only under the terms of the license agreement. No part of this manual may be photocopied or reproduced in any form without prior written consent from The MathWorks, Inc.

FEDERAL ACQUISITION: This provision applies to all acquisitions of the Program and Documentation by, for, or through the federal government of the United States. By accepting delivery of the Program or Documentation, the government hereby agrees that this software or documentation qualifies as commercial computer software or commercial computer software documentation as such terms are used or defined in FAR 12.212, DFARS Part 227.72, and DFARS 252.227-7014. Accordingly, the terms and conditions of this Agreement and only those rights specified in this Agreement, shall pertain to and govern the use, modification, reproduction, release, performance, display, and disclosure of the Program and Documentation by the federal government (or other entity acquiring for or through the federal government) and shall supersede any conflicting contractual terms or conditions. If this License fails to meet the government's needs or is inconsistent in any respect with federal procurement law, the government agrees to return the Program and Documentation, unused, to The MathWorks, Inc.

Trademarks

MATLAB and Simulink are registered trademarks of The MathWorks, Inc. See www.mathworks.com/trademarks for a list of additional trademarks. Other product or brand names may be trademarks or registered trademarks of their respective holders.

Patents

MathWorks products are protected by one or more U.S. patents. Please see www.mathworks.com/patents for more information.

Revision History

September 2013	Online only	New for Version 6.0 (Release 2013b)
March 2014	Online only	Revised for Version 6.1 (Release 2014a) (Renamed from <i>SimPowerSystems™ Reference (Third Generation)</i>)
October 2014	Online only	Revised for Version 6.2 (Release 2014b)
March 2015	Online only	Revised for Version 6.3 (Release 2015a)
September 2015	Online only	Revised for Version 6.4 (Release 2015b)
March 2016	Online only	Revised for Version 6.5 (Release 2016a) (Renamed from <i>SimPowerSystems™ Reference (Simscape™ Components)</i>)
September 2016	Online only	Revised for Version 6.6 (Release 2016b)
March 2017	Online only	Revised for Version 6.7 (Release 2017a)
September 2017	Online only	Revised for Version 6.8 (Release 2017b)
March 2018	Online only	Revised for Version 6.9 (Release 2018a)
September 2018	Online only	Revised for Version 7.0 (Release 2018b) (Renamed from <i>Simscape™ Power Systems™ Reference (Simscape™ Components)</i> and <i>Simscape™ Electronics™ Reference</i>)
March 2019	Online only	Revised for Version 7.1 (Release 2019a) (Renamed from <i>Simscape™ Electrical™ Reference (Electronics, Mechatronics, and Power Systems)</i>)
September 2019	Online only	Revised for Version 7.2 (Release 2019b)
March 2020	Online only	Revised for Version 7.3 (Release 2020a)
September 2020	Online only	Revised for Version 7.4 (Release 2020b)

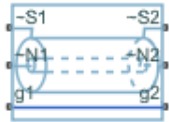
1	<hr/>	Blocks
2	<hr/>	Functions
3	<hr/>	Apps
A	<hr/>	Parameter Dependencies
	Parameter Dependencies	A-2
	Parameter Dependency Tables	A-2

Blocks

AC Cable (Three-Phase)

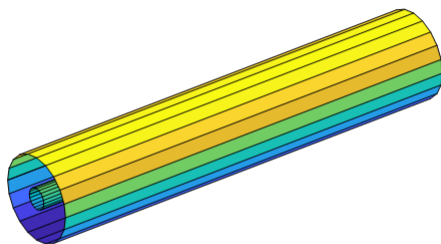
Three-phase AC power cable

Library: Simscape / Electrical / Passive / Lines



Description

The AC Cable (Three-Phase) block represents a three-phase AC power cable with a conducting sheath surrounding each phase. The figure shows a single-phase conductor inside a conducting sheath. The inner cylinder represents the main conductor for the phase, and the outer cylinder represents the conducting sheath.



The block has two variants:

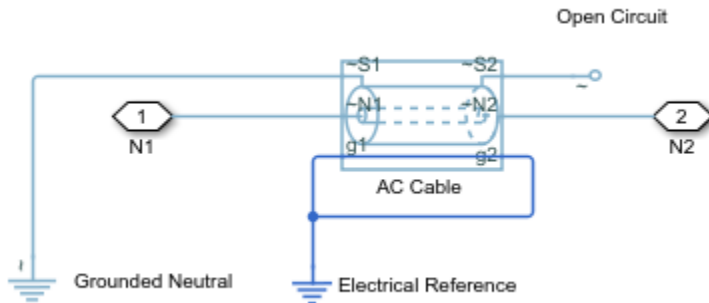
- Composite three-phase variant (default) --- Contains three-phase connection ports for the sheaths and phases and a single-phase connection port for each electrical reference node.
- Expanded three-phase variant --- Contains single-phase connection ports for each sheath, phase, and electrical reference node.

The AC Cable (Three-Phase) block includes inductances and mutual inductances between each phase, sheath, and return path. Therefore, you can connect an ideal electrical reference block to both return ports, **g1** and **g2**, while maintaining loss modeling in the Earth- or neutral-return line.

To facilitate simulation convergence when you connect the AC Cable (Three-Phase) block to a source block, include source impedance using one of these methods:

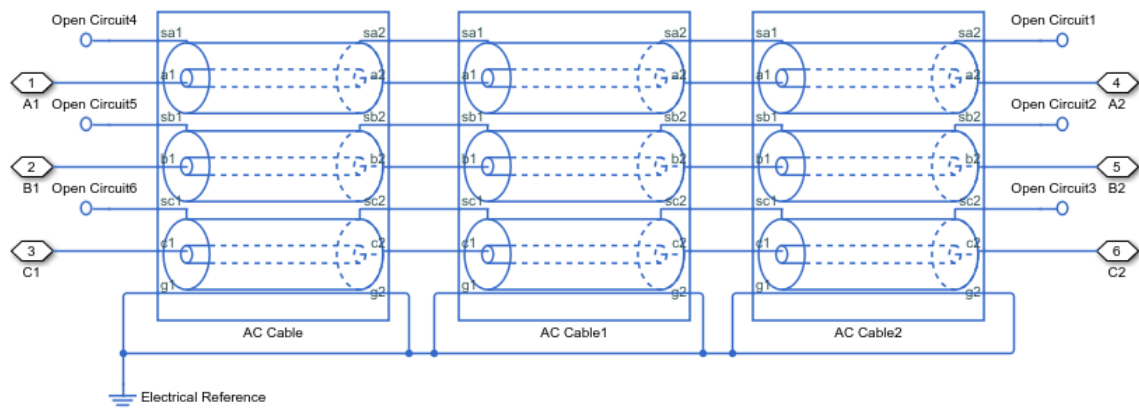
- Configure the source block to include impedance.
- Insert a block that models impedance between the source block and the AC Cable (Three-Phase) block.

To model unbonded sheaths, connect the unbonded sheaths to an Open Circuit (Three-Phase) block. The figure shows a model of single-point bonding using the composite three-phase variant of the block.

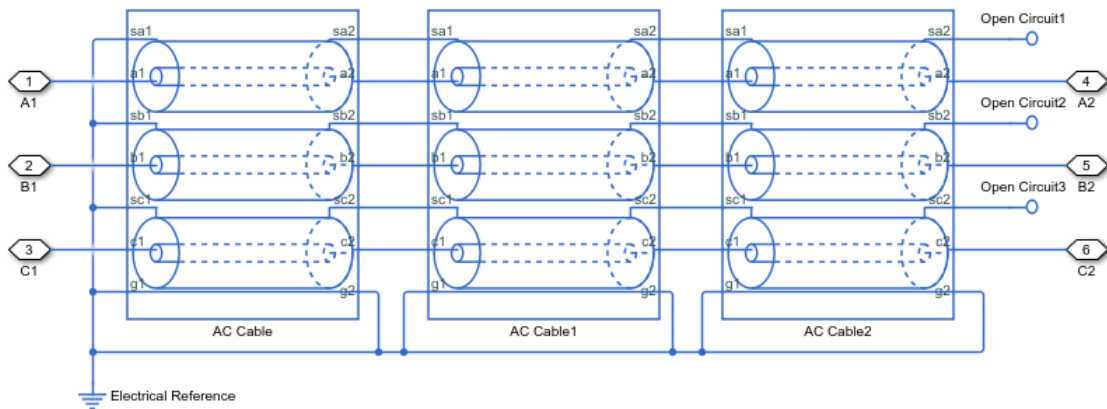


For high performance modeling, in terms of simulation speed, use a single AC Cable (Three-Phase) block. To improve model fidelity in terms of frequency behavior, connect several AC Cable (Three-Phase) blocks in series. For series-connected blocks, the sheaths and main conductors act as coupled transmission lines with perfect transposition of the phases. The number of AC Cable (Three-Phase) blocks that you use to model a particular physical length of cable must be less than the number of transpositions in the physical system that you are modeling. Types of continuous multi-segment cables that you can model include:

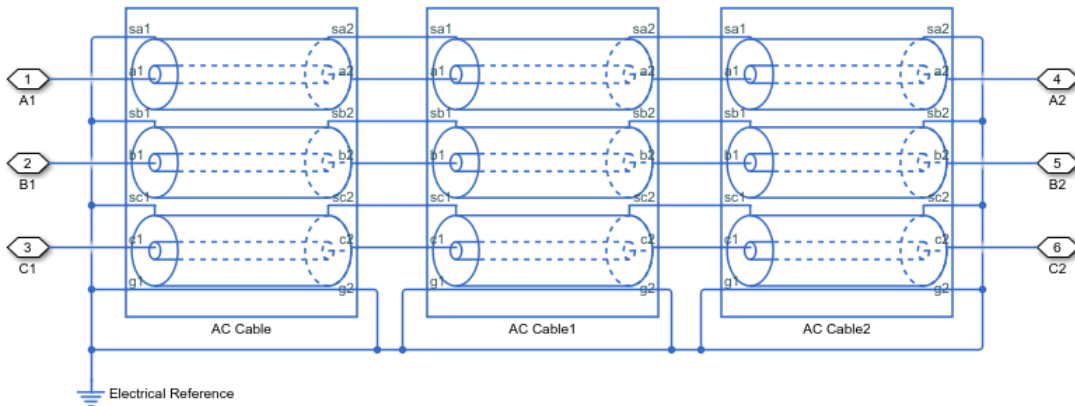
- Unbonded continuous cables



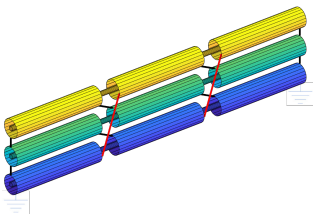
- Single-point bonded continuous cables



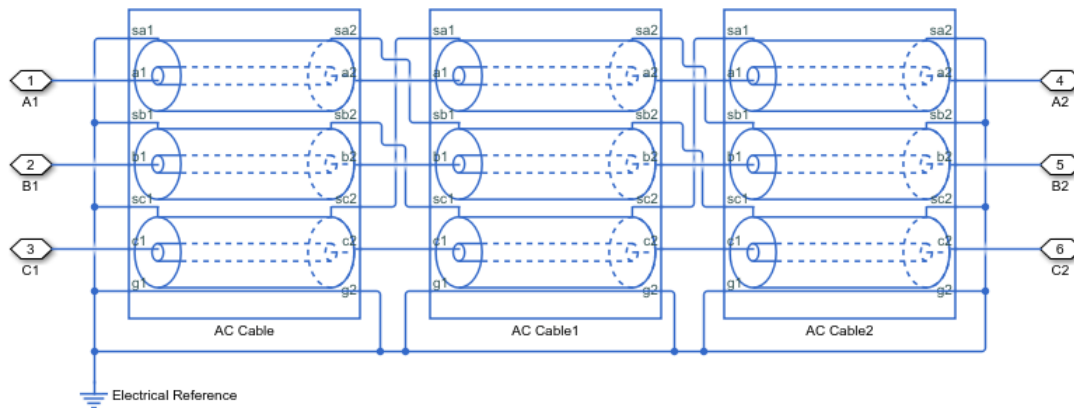
- Double-point bonded continuous cables



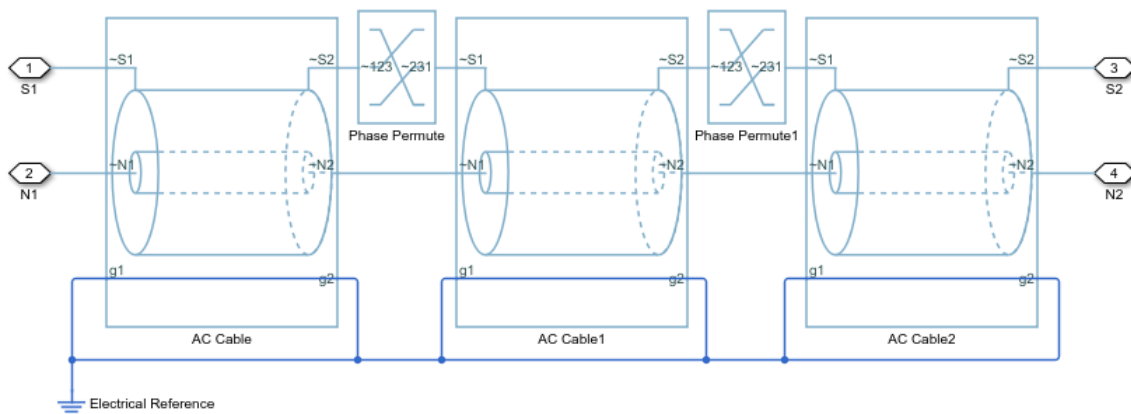
You can also model cross-bonded cables using the AC Cable (Three Phase) block.



This three pi-segment cable model implements cross-bonding using expanded three-phase ports and single-phase connection lines. The sheath in the model is two-point bonded.



This model of blocks with composite three-phase-ports uses Phase Permute blocks to implement cross bonding. The sheath in the model is unbonded.



For an example that allows you to choose the number of segments and type of bonding, see “AC Cable with Bonded Sheaths”.

Three-Phase AC Cable Model

The AC Cable (Three-Phase) block uses the concept of partial inductances to calculate the inductance values. These values include the partial self-inductance of each phase, sheath, and return path and the partial mutual inductances between each:

- Phase and each other phase
- Phase and the sheath of that phase
- Phase and the sheath of neighboring phases
- Phase and the return
- Sheath and each neighboring sheath
- Sheath and the return

For three equivalent phases, the matrix that defines the resistance relationships for the vector [phase A; sheath A; phase B; sheath B; phase C; sheath C] is

$$R = \begin{bmatrix} R_a + R_g & R_g & R_g & R_g & R_g & R_g \\ R_g & R_s + R_g & R_g & R_g & R_g & R_g \\ R_g & R_g & R_a + R_g & R_g & R_g & R_g \\ R_g & R_g & R_g & R_s + R_g & R_g & R_g \\ R_g & R_g & R_g & R_g & R_a + R_g & R_g \\ R_g & R_g & R_g & R_g & R_g & R_s + R_g \end{bmatrix}$$

$$R_a = R'_a l$$

$$R_g = R'_{\text{return}} l,$$

for which R'_{return} depends on the return parameterization method such that:

- For a return parameterization based on distance and resistance $R'_{\text{return}} = R'_g$.
- For a return parameterization based on frequency and Earth resistivity $R'_{\text{return}} = \pi^2 10^{-7} f$

and

$$R_s = R'_s l,$$

where:

- R is the resistance matrix.
- R_a is the resistance of a particular phase.
- R_s is the resistance of a particular sheath.
- R_g is the resistance of the Earth- or neutral-return.
- R'_a is the resistance per unit length for the phase.
- l is the cable length.
- R'_s is the resistance per unit length for the sheath.
- R'_{return} is the resistance per unit length of the return. The value of R'_{return} varies depending on the return parameterization method.
- R'_g is the resistance per unit length for the Earth- or neutral return.
- f is the frequency that the block uses to calculate Earth-return parameters if you parameterize the block using the frequency and Earth resistivity method.

The block uses standard expressions to calculate the capacitances between:

- Concentric or adjacent cylinders
- Each phase and its own sheath
- Each sheath and the return

The matrix that defines these capacitance relationships is

$$C = \begin{bmatrix} C_{as_a} & -C_{as_a} & 0 & 0 & 0 & 0 \\ -C_{as_a} & C_{as_a} + C_{s_ag} & 0 & 0 & 0 & 0 \\ 0 & 0 & C_{as_a} & -C_{as_a} & 0 & 0 \\ 0 & 0 & -C_{as_a} & C_{as_a} + C_{s_ag} & 0 & 0 \\ 0 & 0 & 0 & 0 & C_{as_a} & -C_{as_a} \\ 0 & 0 & 0 & 0 & -C_{as_a} & C_{as_a} + C_{s_ag} \end{bmatrix}$$

$$C_{as_a} = \frac{2\pi\epsilon_r\epsilon_0 l}{\ln\left(\frac{r_s}{r_a}\right)}$$

$$r_a = GMR \cdot e^{\frac{1}{4}}$$

$$C_{s_ag} = \frac{2\pi\epsilon_{env}\epsilon_0 l}{\ln\left(\frac{r_{cable}}{r_{s,outer}}\right)}$$

where:

- C is the capacitance matrix.
- C_{as_a} is the capacitance between each phase and the sheath of that phase.
- C_{s_ag} is the capacitance between each sheath and return.
- ϵ_r is the permittivity of the dielectric.
- ϵ_0 is the permittivity of free space.
- r_s is the radius of the sheath.
- r_a is the effective radius of the conductor. For a single-strand conductor, r_a is the radius of the strand.
- r_{cable} is the cable radius and r_{cable} is greater than $r_{s,outer}$.
- GMR is the geometric mean radius of the conductor. For a single-strand conductor, $GMR = r_{strand}e^{-\frac{1}{4}}$, where r_{strand} is the radius of the strand.
- ϵ_{env} is the permittivity of the material between the sheathed lines and the return path.

The block uses the concept of partial inductances to calculate inductance values. These values include the partial self-inductance of each phase, sheath, and return path and the partial mutual inductances between each:

- Phase and each other phase
- Phase and the sheath of that phase
- Phase and the sheath of neighboring phases
- Phase and the return
- Sheath and each neighboring sheath
- Sheath and the return

The equations that define these inductance relationships are:

$$L = \begin{bmatrix} D_a & \delta & A & \alpha & A & \alpha \\ \delta & D_s & \alpha & S & \alpha & S \\ A & \alpha & D_a & \delta & A & \alpha \\ \alpha & S & \delta & D_s & \alpha & S \\ A & \alpha & A & \alpha & D_a & \delta \\ \alpha & S & \alpha & S & \delta & D_s \end{bmatrix}$$

$$D_a = L_a - M_{ag}$$

$$L_a = 2 \times 10^{-7} l \left[\ln\left(\frac{2l}{r_a}\right) - \frac{3}{4} \right]$$

$$M_{ag} = M_{sg} = 2 \times 10^{-7} l \left[\ln\left(\frac{2l}{D_{\text{return}}}\right) - 1 \right]$$

for which D_{return} depends on the return parameterization method such that:

- For a return parameterization based on distance and resistance $D_{\text{return}} = D_e$.
- For a return parameterization based on frequency and Earth resistivity $D_{\text{return}} = 1650 \sqrt{\frac{\rho}{2\pi f}}$.

$$D_s = L_s - M_{sg}$$

$$L_s = M_{asa} = 2 \times 10^{-7} l \left[\ln\left(\frac{2l}{r_s}\right) - \frac{3}{4} \right]$$

$$\delta = M_{asa} - M_{ag}$$

$$\alpha = M_{asb} - M_{ag}$$

$$M_{asb} = M_{sasb} = M_{ab} = 2 \times 10^{-7} l \left[\ln\left(\frac{2l}{d_{ab}}\right) - 1 \right],$$

for which d_{ab} depends on the line formation parameterization method, such that:

- For a trefoil line formation parameterization $d_{ab} = D_{ab}$.
- For a flat line formation parameterization $d_{ab} = D_{ab} \sqrt[3]{2}$.

$$A = M_{ab} - M_{ag}$$

$$S = M_{sasb} - M_{sg},$$

where:

- L is the inductance matrix.
- D_a is the self-inductance of a single phase through its entire path and return.
- L_a is the partial self-inductance of each phase.
- M_{ag} is the partial mutual inductance between each phase and the Earth- or neutral-return.
- M_{sg} is the partial mutual inductance between each sheath and the Earth- or neutral-return.
- The factor, 2×10^{-7} is equal to $\mu_0/2\pi$, because permeability of free space, μ_0 , is equal to 1.257×10^{-6} or $4\pi \times 10^{-7}$ H/m.

- D_s is the self-inductance of a single sheath through its entire path and return.
- L_s is the partial self-inductance of each sheath.
- M_{as_a} is the partial mutual inductance between each phase and the sheath of that phase.
- δ is the effective mutual inductance between a phase and the sheath of that phase.
- α is the effective mutual inductance between a phase and a neighboring sheath.
- M_{as_b} is the partial mutual inductance between each phase and the sheath of each neighboring phase.
- $M_{s_a s_b}$ is the partial mutual inductance between sheaths of different phases.
- M_{ab} is the partial mutual inductance between each phase and each other phase.
- D_{return} is the effective distance to the return. The value of D_{return} varies if you use the distance/return parameterization method.
- D_e is the effective distance to the Earth- or neutral-return.
- ρ is the effective Earth resistivity for an Earth-return.
- f is the frequency that is used to determine the return path properties.
- d_{ab} is the effective distance between adjacent phases. The value of d_{ab} varies depending on the line parameterization method.
- D_{ab} is the center-to-center distance between adjacent phases.
- A is the effective mutual inductance between phases.
- S is the effective mutual inductance between sheaths.

A modal transformation that is related to the Clarke transform simplifies the equivalent circuit. The six-by-six transformation, T , is

$$T = \frac{1}{\sqrt{3}} \begin{bmatrix} 1 & 0 & \sqrt{2} & 0 & 0 & 0 \\ 0 & 1 & 0 & \sqrt{2} & 0 & 0 \\ 1 & 0 & -\frac{1}{\sqrt{2}} & 0 & \frac{\sqrt{3}}{2} & 0 \\ 0 & 1 & 0 & -\frac{1}{\sqrt{2}} & 0 & \frac{\sqrt{3}}{2} \\ 1 & 0 & -\frac{1}{\sqrt{2}} & 0 & -\frac{\sqrt{3}}{2} & 0 \\ 0 & 1 & 0 & -\frac{1}{\sqrt{2}} & 0 & -\frac{\sqrt{3}}{2} \end{bmatrix}.$$

As $T^\dagger = T^{-1}$, applying the T transform yields the modal resistance matrix, R_m , the modal capacitance matrix, C_m , and the modal inductance matrix, L_m .

The transformed matrices are:

$$R_m = T^\dagger R T = \begin{bmatrix} R_a + 3R_g & 3R_g & 0 & 0 & 0 & 0 \\ 3R_g & R_s + 3R_g & 0 & 0 & 0 & 0 \\ 0 & 0 & R_a & 0 & 0 & 0 \\ 0 & 0 & 0 & R_s & 0 & 0 \\ 0 & 0 & 0 & 0 & R_a & 0 \\ 0 & 0 & 0 & 0 & 0 & R_s \end{bmatrix}$$

$$C_m = T^\dagger C T = \begin{bmatrix} C_{as_a} & -C_{as_a} & 0 & 0 & 0 & 0 \\ -C_{as_a} & C_{as_a} + C_{s_a g} & 0 & 0 & 0 & 0 \\ 0 & 0 & C_{as_a} & -C_{as_a} & 0 & 0 \\ 0 & 0 & -C_{as_a} & C_{as_a} + C_{s_a g} & 0 & 0 \\ 0 & 0 & 0 & 0 & C_{as_a} & -C_{as_a} \\ 0 & 0 & 0 & 0 & -C_{as_a} & C_{as_a} + C_{s_a g} \end{bmatrix} = C$$

$$L_m = T^\dagger L T = \begin{bmatrix} D_a + 2A & \delta + 2\alpha & 0 & 0 & 0 & 0 \\ \delta + 2\alpha & D_s + 2A & 0 & 0 & 0 & 0 \\ 0 & 0 & D_a - A & \delta - \alpha & 0 & 0 \\ 0 & 0 & \delta - \alpha & D_s - S & 0 & 0 \\ 0 & 0 & 0 & 0 & D_a - A & \delta - \alpha \\ 0 & 0 & 0 & 0 & \delta - \alpha & D_s - S \end{bmatrix}.$$

The transformation changes each six-by-six matrix into three uncoupled two-by-two matrices. The capacitance matrix is invariant under this transformation. The power is invariant in the transformed and untransformed domains because T is unitary.

Assumptions and Limitations

- For resistance calculations, the phases are equivalent.
- Relative to the phase-to-sheath capacitance and the sheath-return capacitances all other capacitances, are negligible due to the shielding provided by the conducting sheaths.

Ports

Conserving

~S1 – Sheath

electrical

Expandable three-phase port associated with sheath 1.

~N1 – Phase

electrical

Expandable three-phase port associated with a , b , and c phases 1.

g1 – Ground

electrical

Electrical conserving port associated with ground 1.

~S2 – Sheath

electrical

Expandable three-phase port associated with sheath 2.

~N2 — Phase

electrical

Expandable three-phase port associated with *a*, *b*, and *c* phases 2.

g2 — Ground

electrical

Electrical conserving port associated with ground 2.

Parameters**Cable length — Length**

120 km (default)

Length of the cable.

Geometric mean radius of conductor — Radius

5 mm (default)

Geometric mean radius of the conductor, which is a function of the number and type of individual strands in the conductor of the AC cable.

Sheath radius — Radius

10 mm (default)

Average radius of the sheath. To ensure that the sheath radius is greater than the physical radius of a single-stranded conductor with a particular GMR, the sheath radius must be greater than $GMR * e^{\frac{1}{4}}$.

Outer cable radius — Outer radius

20 mm (default)

Outer radius of the cable, in mm. The cable radius must be greater than the **Sheath radius** parameter. This ensures that the sheath and conductor are both enclosed inside an insulating outer cable layer.

Line-line spacing (center-to-center) — Distance

25 mm (default)

Distance between the line centers.

Line formation — Line configuration

Trefoil (default) | Flat

Cable line formation.

Conductor resistance per length — Resistance

1 Ohm/km (default)

Resistance per length of a conductor.

Sheath resistance per length — Resistance

10 Ohm/km (default)

Resistance per length of a sheath.

Insulation relative permittivity – Permittivity

2.4 (default)

Relative permittivity of the insulation.

Relative permittivity between lines and return path – Relative permittivity

1 (default)

Relative permittivity of the circuit.

Return parameterization – Model

Use frequency and Earth resistivity (default) | Use distance and resistance

Parameterization method.

Dependencies

Enabling either option enables other parameters.

Frequency for Earth-return impedance – Frequency

60 Hz (default)

Frequency at which the Earth-return impedance is calculated.

Dependencies

Selecting Use frequency and Earth resistivity for the **Return parameterization** parameter enables this parameter.

Earth resistivity – Resistance

100 m*Ohm (default)

Earth-return resistivity.

Dependencies

Selecting Use frequency and Earth resistivity for the **Return parameterization** parameter enables this parameter.

Effective distance to return path – Return path distance

1 km (default)

Effective distance between the phases and the return path.

Dependencies

Selecting Use distance and resistance for the **Return parameterization** parameter enables this parameter.

Return path resistance per length – Return path unit resistance

0.1 Ohm/km (default)

Resistance per length of the return path.

Dependencies

Selecting Use distance and resistance for the **Return parameterization** parameter enables this parameter.

Extended Capabilities

C/C++ Code Generation

Generate C and C++ code using Simulink® Coder™.

See Also

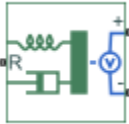
Open Circuit (Three-Phase) | Phase Permute

Introduced in R2017b

Accelerometer

Behavioral model of MEMS accelerometer

Library: Simscape / Electrical / Sensors & Transducers



Description

The Accelerometer block implements a behavioral model of a MicroElectroMechanical Systems (MEMS) accelerometer. For the default output type `Voltage level`, the accelerometer provides an output voltage that is proportional to the acceleration rate presented at the mechanical translational physical port R. The output voltage is limited according to the values that you provide for maximum and minimum output voltage.

The block also has an alternative output type, `PWM duty cycle`. With this choice, the output of the block is a PWM signal with a duty cycle that is proportional to the measured acceleration. You can limit the variation in duty cycle to a specified range.

Optionally, you can model sensor dynamics by setting the **Dynamics** parameter to `Model sensor bandwidth`. Including dynamics adds a first-order lag between the angular rate presented at port R and the corresponding voltage applied to the electrical + and - ports.

If running your simulation with a fixed-step solver, or generating code for hardware-in-the-loop testing, MathWorks recommends that you set the **Dynamics** parameter to `No dynamics – Suitable for HIL`, because this avoids the need for a small simulation time step if the sensor bandwidth is high.

Variables

Use the **Variables** section of the block interface to set the priority and initial target values for the block variables prior to simulation. For more information, see “Set Priority and Initial Target for Block Variables”.

The **Measured acceleration** variable target specifies the initial output for the sensor.

Ports

Conserving

R – Translational port

mechanical

Mechanical conserving port associated with the accelerometer translational port.

+ – Positive port

electrical

Electrical conserving port associated with the accelerometer positive terminal.

- — Negative port

electrical

Electrical conserving port associated with the accelerometer negative terminal.

Parameters

Output type — Block output type

Voltage level (default) | PWM duty cycle

Select one of the following options to define the block output type:

- **Voltage level** — The amplitude of the output voltage is proportional to the measured acceleration. This is the default option.
- **PWM duty cycle** — The duty cycle (on time divided by the pulse total time) is proportional to the measured acceleration.

Sensitivity — Sensitivity

1000 mV/gee (default)

Change in output voltage level per unit change in acceleration when the output is not being limited.

Dependencies

This parameter is visible only when you select **Voltage level** for the **Output type** parameter.

Output voltage for zero acceleration — Output voltage for zero acceleration

2.5 V (default)

The output voltage from the sensor when the acceleration is zero.

Dependencies

This parameter is visible only when you select **Voltage level** for the **Output type** parameter.

Maximum output voltage — Maximum output voltage

4 V (default)

The maximum output voltage from the sensor, which determines the sensor maximum measured positive acceleration.

Dependencies

This parameter is visible only when you select **Voltage level** for the **Output type** parameter.

Minimum output voltage — Minimum output voltage

1 V (default)

The minimum output voltage from the sensor, which determines the sensor maximum measured negative acceleration. This parameter is only visible when you select **Voltage level** for the **Output type** parameter. The default value is 1 V.

Duty cycle sensitivity (percent per unit acceleration) — Duty cycle sensitivity

10 1/gee (default)

The change in duty cycle per unit acceleration. Duty cycle is expressed as a percentage of the PWM period.

Dependencies

This parameter is visible only when you select PWM duty cycle for the **Output type** parameter.

Duty cycle for zero acceleration (percent) – Duty cycle for zero acceleration

50 (default)

The duty cycle output by the sensor when the acceleration is zero.

Dependencies

This parameter is visible only when you select PWM duty cycle for the **Output type** parameter.

Maximum duty cycle (percent) – Maximum duty cycle

75 (default)

The maximum duty cycle output by the sensor. Increasing acceleration levels beyond this point will not register an increase in duty cycle.

Dependencies

This parameter is visible only when you select PWM duty cycle for the **Output type** parameter.

Minimum duty cycle (percent) – Minimum duty cycle

25 (default)

The minimum duty cycle output by the sensor. Decreasing acceleration levels beyond this point will not register a decrease in duty cycle.

Dependencies

This parameter is visible only when you select PWM duty cycle for the **Output type** parameter.

PWM frequency – PWM frequency

1000 Hz (default)

The frequency of the output pulse train.

Dependencies

This parameter is visible only when you select PWM duty cycle for the **Output type** parameter.

Output voltage amplitude – Output voltage amplitude

5 V (default)

The amplitude of the output pulse train when high.

Dependencies

This parameter is visible only when you select PWM duty cycle for the **Output type** parameter.

Dynamics – Dynamics

No dynamics – Suitable for HIL (default) | Model sensor bandwidth

Select one of the following options for modeling sensor dynamics:

- **No dynamics – Suitable for HIL** — Do not model sensor dynamics. Use this option when running your simulation fixed step or generating code for hardware-in-the-loop testing, because this avoids the need for a small simulation time step if the sensor bandwidth is high. This is the default option.
- **Model sensor bandwidth** — Model sensor dynamics with a first-order lag approximation, based on the **Bandwidth** parameter value. You can control the initial condition for the lag by specifying the **Measured acceleration** variable target.

Bandwidth — Bandwidth

3 kHz (default)

Specifies the 3dB bandwidth for the measured acceleration assuming a first-order time constant.

Dependencies

This parameter is visible only when you select **Model sensor bandwidth** for the **Dynamics** parameter.

Extended Capabilities**C/C++ Code Generation**

Generate C and C++ code using Simulink® Coder™.

See Also

Introduced in R2012b

Average-Value Chopper

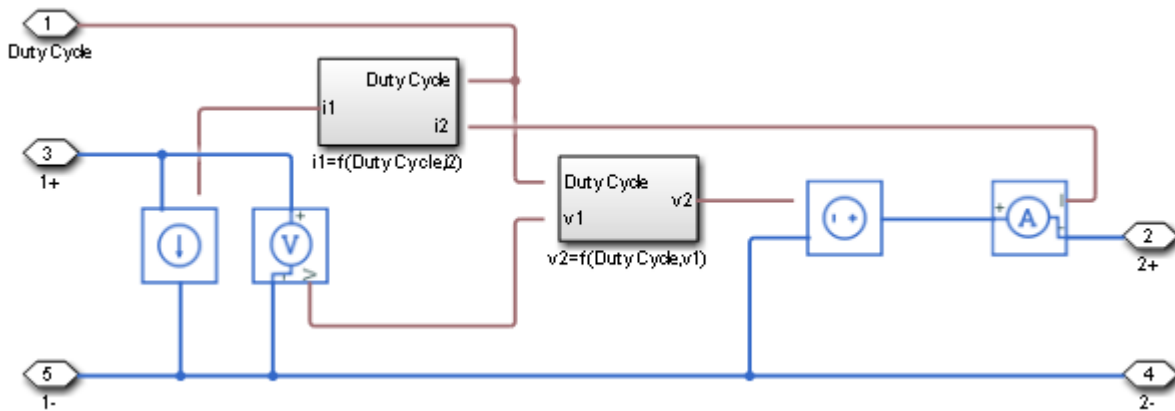
Average-value chopper

Library: Simscape / Electrical / Semiconductors & Converters / Converters



Description

The Average-Value Chopper block represents a controlled average-value chopper. Use the duty cycle input to convert the electrical energy between the two sides. The figure shows the equivalent circuit for the block.



Equations

The input current and output voltage depend on the chopper class that you specify.

Voltage and Current Equations

Chopper Class	Quadrants	Output Voltage, v_2			Input Current, i_1		
		$i_2 < 0$	$i_2 = 0$	$i_2 > 0$	$i_2 < 0$	$i_2 = 0$	$i_2 > 0$
A	1 st	$v_2 = v_1$	$v_2 = DutyCycle \cdot v_1$		$i_1 = i_2$	$i_1 = DutyCycle \cdot i_2$	
B	2 nd	$v_2 = (1 - DutyCycle) \cdot v_1$		$v_2 = 0$	$i_1 = (1 - DutyCycle) \cdot i_2$		$i_1 = 0$
C	1 st and 2 nd	$v_2 = DutyCycle \cdot v_1$			$i_1 = DutyCycle \cdot i_2$		
D	1 st and 4 th	$v_2 = v_1$	$v_2 = (2 \cdot DutyCycle - 1) \cdot v_1$		$i_1 = i_2$	$i_1 = (2 \cdot DutyCycle - 1) \cdot i_2$	
E	Four	$v_2 = (2 \cdot DutyCycle - 1) \cdot v_1$			$i_1 = (2 \cdot DutyCycle - 1) \cdot i_2$		

Limitations and Assumptions

- Input voltage, v_1 is positive.
- Power losses are neglected.
- The Average-Value Chopper block represents an ideal implementation of a controlled average-value chopper with no dynamics, and it is suitable for low fidelity simulations. For higher fidelity models, use the One-Quadrant Chopper, Two-Quadrant Chopper, or Four-Quadrant Chopper blocks.

Ports

Conserving

DutyCycle – Duty Cycle

electrical | scalar

Electrical conserving port associated with the duty cycle.

Data Types: double

1+ – Positive DC voltage 1

electrical | scalar

Electrical conserving port associated with the positive terminal of the first DC voltage.

Data Types: double

1- – Negative DC voltage 1

electrical | scalar

Electrical conserving port associated with the negative terminal of the first DC voltage.

Data Types: double

2+ – Positive DC voltage 2

electrical | scalar

Electrical conserving port associated with the positive terminal of the second DC voltage.

Data Types: double

2- – Negative DC voltage 2

electrical | scalar

Electrical conserving port associated with the negative terminal of the second DC voltage.

Data Types: double

Parameters**Chopper type – Chopper class**

Class A - first quadrant (default) | Class B - second quadrant | Class C - first and second quadrant | Class D - first and fourth quadrant | Class E - four quadrant

Chopper class.

Converter efficiency – Converter efficiency parameterization

Constant (default) | Tabulated

Specify the parameterization of the converter efficiency. If you select `Tabulated`, conduction losses will depend on the provided output current.

Efficiency (%) – Converter efficiency

100 (default) | scalar

Efficiency of the converter, in percentage.

Dependencies

To enable this parameter, set **Converter efficiency** to `Constant`.

Output current vector – Vector of output current

[0, 2, 5] A (default) | row vector of at least two elements

Vector of output currents.

Dependencies

To enable this parameter, set **Converter efficiency** to `Tabulated`.

Efficiency vector (%) – Vector of efficiencies

[90, 95, 98] (default) | row vector of at least two elements

Vector of efficiencies for each output current specified in **Output current vector**, in percentage. This parameter must have the same size of **Output current vector**.

Dependencies

To enable this parameter, set **Converter efficiency** to `Tabulated`.

References

[1] Trzynadlowski, A. M. *Introduction to Modern Power Electronics*. 2nd Ed. Hoboken, NJ: John Wiley & Sons Inc., 2010.

Extended Capabilities

C/C++ Code Generation

Generate C and C++ code using Simulink® Coder™.

See Also

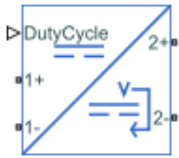
[Average-Value DC-DC Converter](#) | [Average-Value Inverter \(Three-Phase\)](#) | [Average-Value Rectifier \(Three-Phase\)](#) | [Four-Quadrant Chopper](#) | [One-Quadrant Chopper](#) | [Two-Quadrant Chopper](#)

Introduced in R2018b

Average-Value DC-DC Converter

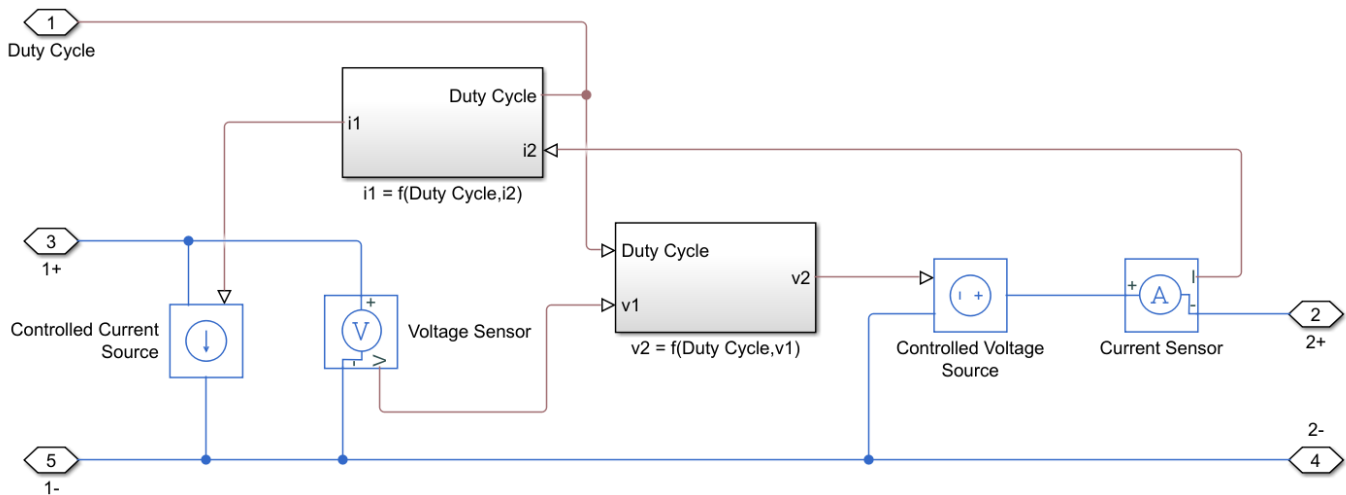
Average-value DC-DC converter

Library: Simscape / Electrical / Semiconductors & Converters / Converters



Description

The Average-Value DC-DC Converter block represents a controlled average-value DC-DC converter. You can program the block as a buck converter, boost converter, or buck-boost converter by providing the duty cycle. The diagram shows the equivalent circuit for the block with duty cycle as input. The converter contains a controlled current source and a controlled voltage source. Use the duty cycle, the current reference, or the voltage reference ports as control input to convert the electrical energy between the connected components on either side of the converter.



Equations

If you set the **Control input** parameter to `Duty cycle`, the input current and output voltage are a function of the duty cycle and depend on the converter type.

Voltage and Current Equations

Converter Type	Output Voltage, v_2	Input Current, i_1
Buck	$v_2 = DutyCycle \cdot v_1$	$i_1 = DutyCycle \cdot i_2$
Boost	$v_2 = \frac{v_1}{1 - DutyCycle}$	$i_1 = \frac{i_2}{1 - DutyCycle}$
Buck-Boost	$v_2 = \frac{DutyCycle \cdot v_1}{1 - DutyCycle}$	$i_1 = \frac{DutyCycle \cdot i_2}{1 - DutyCycle}$

If you set the **Control input** parameter to `Current` reference, the converter sets the output current and it computes the voltage.

Similarly, if you set the **Control input** parameter to `Voltage` reference, the converter sets the output voltage and it computes the current.

Limitations and Assumptions

- The input voltage is positive.
- All converter types use the same polarity for input and output.

Ports

Conserving

DutyCycle — Duty cycle

physical | scalar

Electrical conserving port associated with the duty cycle.

Dependencies

To enable this port, set **Control Input** to `Duty Cycle`.

Data Types: `double`

Iref — Current reference

physical

Electrical conserving port associated with the current reference.

Dependencies

To enable this port, set **Control Input** to `Current` reference.

Data Types: `double`

Vref — Voltage reference

physical

Electrical conserving port associated with the voltage reference.

Dependencies

To enable this port, set **Control Input** to `Voltage` reference.

Data Types: double

1+ — Positive DC voltage 1

electrical | scalar

Electrical conserving port associated with the positive terminal of the first DC voltage.

Data Types: double

1- — Negative DC voltage 1

electrical | scalar

Electrical conserving port associated with the negative terminal of the first DC voltage.

Data Types: double

2+ — Positive DC voltage 2

electrical | scalar

Electrical conserving port associated with the positive terminal of the second DC voltage.

Data Types: double

2- — Negative DC voltage 2

electrical | scalar

Electrical conserving port associated with the negative terminal of the second DC voltage.

Data Types: double

Parameters

Control input — Control input

Duty cycle (default) | Current reference | Voltage reference

Specify the control input to convert the electrical energy between the two sides.

Converter type — Converter type

Buck converter (default) | Buck-boost converter | Boost converter

Type of converter.

Dependencies

To enable this parameter, set **Control Input** to Duty Cycle.

Converter efficiency — Converter efficiency parameterization

Constant (default) | Tabulated

Specify the parameterization of the converter efficiency. If you select Tabulated, conduction losses will depend on the provided output current.

Efficiency (%) — Converter efficiency

100 (default) | scalar

Efficiency of the converter, in percentage.

Dependencies

To enable this parameter, set **Converter efficiency** to Constant.

Output current vector – Vector of output current

[0, 2, 5] A (default) | row vector of at least two elements

Vector of output currents.

Dependencies

To enable this parameter, set **Converter efficiency** to Tabulated.

Efficiency vector (%) – Vector of efficiencies

[90, 95, 98] (default) | row vector of at least two elements

Vector of efficiencies for each output current specified in **Output current vector**, in percentage. This parameter must have the same size of **Output current vector**.

Dependencies

To enable this parameter, set **Converter efficiency** to Tabulated.

Extended Capabilities**C/C++ Code Generation**

Generate C and C++ code using Simulink® Coder™.

See Also

Average-Value Chopper | Average-Value Inverter (Three-Phase) | Average-Value Rectifier (Three-Phase) | Bidirectional DC-DC Converter | Boost Converter | Buck Converter | Buck-Boost Converter | Converter (Three-Phase) | Rectifier (Three-Phase) | Three-Level Converter (Three-Phase)

Introduced in R2018b

Average-Value Inverter (Three-Phase)

Average-value DC Voltage to three-phase AC voltage converter with fixed power loss

Library: Simscape / Electrical / Semiconductors & Converters / Converters

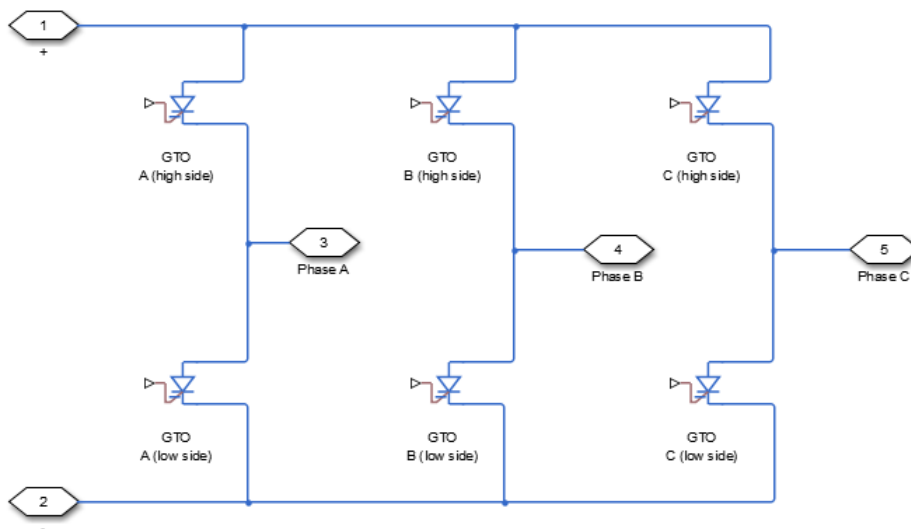


Description

The Average-Value Inverter (Three-Phase) block models an average-value, full-wave inverter. It converts DC voltage to three-phase AC voltages and converts three-phase AC power demand to DC power demand. The corresponding DC power demand is equal to the sum of the fixed power loss and the AC power demand.

You can use the Average-Value Inverter (Three-Phase) block only as a full-wave inverter. It behaves as a DC-voltage-controlled AC voltage source. The ratio you specify determines the ratio between the DC voltage and the AC voltage.

The figure shows the equivalent circuit for the inverter as a full-wave inverter. The Average-Value Inverter (Three-Phase) block does not yield the harmonics that are typically associated with the detailed representation, however, because it performs an average-value power conversion.



Electrical Defining Equations

The voltages are defined by

$$v_{DC} = v_p - v_n,$$

$$v_{ref} = \frac{v_p + v_n}{2},$$

$$v_{RMS} = v_{ratio}v_{DC},$$

$$V_0 = \frac{\sqrt{2}}{\sqrt{3}}V_{RMS},$$

$$v_a = V_0\sin(2\pi ft + \varphi) + v_{ref},$$

$$v_b = V_0\sin(2\pi ft + \varphi - 120^\circ) + v_{ref},$$

and

$$v_c = V_0\sin(2\pi ft + \varphi + 120^\circ) + v_{ref},$$

where:

- v_p and v_n are the voltages at the positive and negative terminals of the inverter.
- v_{DC} is the voltage difference between the positive and negative terminals of the inverter.
- v_{ref} is the DC offset.
- V_{ratio} is the ratio of rated AC voltage to rated DC voltage for the inverter. See the **Ratio of rated AC voltage to rated DC voltage** parameter in “Parameters” on page 1-28 for the V_{ratio} values for common inverter control modes.
- V_{RMS} is the RMS AC line-line voltage.
- V_0 is the peak phase voltage.
- f is the frequency.
- t is the time.
- φ is the phase shift.
- v_a, v_b, v_c are the respective AC phase voltages.

The power, resistance, and currents are defined by

$$P_{AC} = -v_a i_a - v_b i_b - v_c i_c,$$

$$R_{DC} = \frac{v_{DC}^2}{P_{AC} + P_{fixed}},$$

and

$$i = \frac{v_{DC}}{R_{DC}},$$

where:

- $i_a, i_b,$ and i_c are the respective AC phase currents flowing into the inverter.
- P_{AC} is the power output on the AC side. P_{AC} has a minimum limit of 0 W.
- P_{fixed} is the fixed power loss that you specify on the block.
- R_{DC} is the resistance on the DC side.

- i is the current flowing from the positive to the negative terminals of the inverter.

The inverter starts to create an AC voltage, that is turns on, when the DC supply voltage is above the value that you specify for **DC voltage for turn on** parameter. It stops inverting, that is turns off, when the DC supply voltage falls below the value that you specify for **DC voltage for turn off** parameter. When the inverter turns off, the block sets the output AC current to zero.

Ports

Conserving

+ – Positive terminal

electrical

Electrical conserving port associated with the positive terminal

- – Negative terminal

electrical

Electrical conserving port associated with the negative terminal

~ – Three-phase port

electrical

Expandable three-phase port

Parameters

Rated AC frequency – AC frequency in Hz

60Hz (default)

AC frequency, specified in Hz (where Hz is defined as 1/s). For example, kHz and MHz are valid units, but rad/s is not.

Phase shift – Phase shift

0deg (default)

Phase shift in angular units.

Ratio of rated AC voltage to rated DC voltage – Ratio of rated AC voltage to rated DC voltage

$\sqrt{6}/\pi$ (default)

The table shows ratios for common three-phase two-level inverter control modes. The default value is $\sqrt{6}/\pi$.

For 180° and 120° conduction modes, the listed voltages are the fundamental RMS values of line-line voltages. For other methods, the listed voltages are the maximum fundamental RMS values of line-line voltages.

You can control the output voltage of the inverter according to specific requirements. DPWM includes 30° DPWM, 60° DPWM, and 120° DPWM. For details, see references [3] and [4].

Control Method	V_{RMS} (line-line)	Ratio of V_{RMS} (line-line) to V_{DC}
180° conduction mode [1]	$\frac{\sqrt{6}}{\pi} V_{DC}$	0.7797
120° conduction mode [1]	$\frac{3}{\sqrt{2}\pi} V_{DC}$	0.6752
Hysteresis current control [2]	$\left(\frac{\sqrt{3}}{\sqrt{2}}\right)\left(\frac{2V_{DC}}{\pi}\right)$	0.7797
Sinusoidal PWM (SPMW) [2]	$\left(\frac{\sqrt{3}}{\sqrt{2}}\right)\left(\frac{V_{DC}}{2}\right)$	0.6124
Space vector modulation (SVM) [2]	$\left(\frac{\sqrt{3}}{\sqrt{2}}\right)\left(\frac{V_{DC}}{\sqrt{3}}\right)$	0.7071
Discontinuous PWM (DPWM) [3], [4]	$\left(\frac{\sqrt{3}}{\sqrt{2}}\right)\left(\frac{V_{DC}}{\sqrt{3}}\right)$	0.7071
Convert to the original AC voltage of the average-value rectifier	$\left(\frac{\pi}{\sqrt{2}}\right)\left(\frac{V_{DC}}{3}\right)$	0.7405

Fixed power loss – Fixed power loss

1e3W (default)

Minimum power drawn on the DC side. The default value is 1e3.

DC voltage for turn on – DC voltage for turn on

100V (default)

When the DC supply voltage rises above this value, the inverter produces an AC output voltage.

DC voltage for turn off – DC voltage for turn off

75V (default)

When the DC supply voltage falls below this value, the inverter turns off and the block sets the output AC currents to zero.

References

- [1] Rashid, M. H. *Pulse-Width-Modulation Inverters*. Upper Saddle River, NJ: Prentice-Hall, 2004, pp. 237-248.
- [2] Krause, P. C., O. Wasynczuk, and S. D. Sudhoff. *Analysis of Electric Machinery and Drive Systems*. Piscataway, NJ: IEEE Press, 2002.
- [3] Chung, D. W., J. S. Kim, and S. K. Kul. "Unified voltage modulation technique for real-time three-phase power conversion." *IEEE Transactions on Industry Applications*. Vol. 34, no. 2, 1998, pp. 374-380.
- [4] Hava, A. M., R. J. Kerkman, and T. A. Lipo. "Simple analytical and graphical methods for carrier-based PWM-VSI drives." *IEEE Transactions on Power Electronics*. Vol. 14, 1999, no. 1, pp. 49-61.

Extended Capabilities

C/C++ Code Generation

Generate C and C++ code using Simulink® Coder™.

See Also

Average-Value Chopper | Average-Value DC-DC Converter | Average-Value Rectifier (Three-Phase) | Bidirectional DC-DC Converter | Boost Converter | Buck Converter | Buck-Boost Converter | Converter (Three-Phase) | Rectifier (Three-Phase) | Three-Level Converter (Three-Phase)

Topics

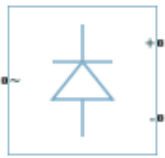
“Expand and Collapse Three-Phase Ports on a Block”

Introduced in R2015a

Average-Value Rectifier (Three-Phase)

Average-value three-phase AC voltage to DC voltage converter with fixed power loss

Library: Simscape / Electrical / Semiconductors & Converters / Converters

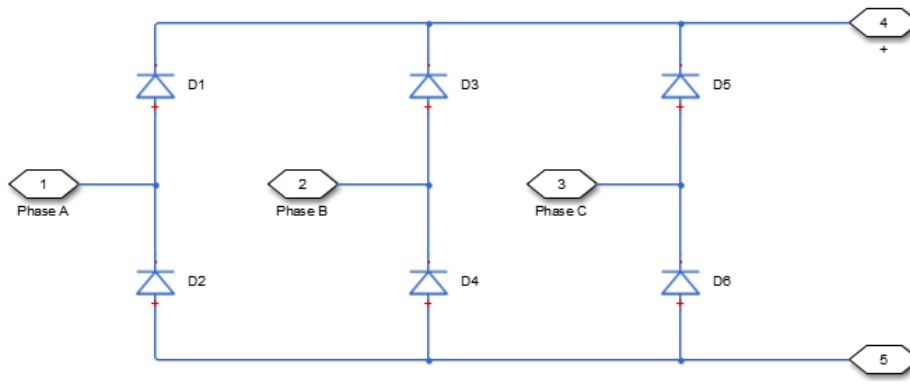


Description

The Average-Value Rectifier (Three-Phase) block models an average-value, full-wave, six-pulse rectifier. It converts instantaneous three-phase AC voltages to DC voltage and DC power demand to three-phase AC power demand. The corresponding AC power demand is equal to the sum of the fixed power loss and the DC power demand.

You can use the Average-Value Rectifier (Three-Phase) block only as a six-pulse rectifier. You cannot combine two Average-Value Rectifier blocks to represent a twelve-pulse rectifier.

The figure shows the equivalent circuit for the rectifier as a full-wave, six-pulse rectifier. The Average-Value Rectifier (Three-Phase) block does not yield the harmonics that are typically associated with the detailed representation, however, because it performs an average-value power conversion.



Electrical Defining Equations

The voltages are defined by:

$$v_{ref} = \frac{v_a + v_b + v_c}{3},$$

$$V_{RMS} = \sqrt{\frac{(v_a - v_b)^2 + (v_b - v_c)^2 + (v_c - v_a)^2}{3}},$$

$$v_{DC} = 3\frac{\sqrt{2}}{\pi}V_{RMS},$$

$$v_p = v_{ref} + \frac{v_{DC}}{2},$$

and

$$v_n = v_{ref} - \frac{v_{DC}}{2},$$

where:

- v_a, v_b, v_c are the respective AC phase voltages.
- v_{ref} is the DC offset on the AC side. In a balanced AC power system with no DC bias, v_{DC} is 0 V.
- V_{RMS} is the RMS AC line-line voltage.
- v_{DC} is the voltage difference between the positive and negative terminals of the rectifier.
- $3\sqrt{2}/\pi$ is the v_{DC}/V_{RMS} ratio for a full-wave, six-pulse rectifier.
- v_p, v_n are the voltages at the positive and negative terminals of the rectifier.

The resistance, power, and currents are defined by

$$R_{fixed} = \frac{V_{Rated}^2}{P_{fixed}},$$

$$P_{DC} = -v_p i_p - v_n i_n,$$

$$R_{AC} = \frac{V_{RMS}^2}{P_{DC} + \frac{V_{RMS}^2}{R_{fixed}}},$$

and

$$[i_a \ i_b \ i_c] = \frac{[v_a \ v_b \ v_c] - v_{ref}}{R_{AC}},$$

where:

- V_{Rated} is the rated AC voltage that you specify on the block mask.
- P_{fixed} is the fixed power loss that you specify on the block mask.
- R_{fixed} is the fixed per-phase series resistance in an equivalent wye-connected load.
- i_p, i_n are the currents flowing into the positive and negative terminals of the rectifier.
- P_{DC} is the power output on the DC side. P_{DC} has a minimum limit of 0 W.
- R_{AC} is the per-phase series resistance in an equivalent wye-connected load.
- i_a, i_b, i_c are the respective AC phase currents flowing into the rectifier.

Ports

Conserving

~ — Three-phase port
electrical

Expandable three-phase port

+ — Positive terminal
electrical

Electrical conserving port associated with the positive terminal

- — Negative terminal
electrical

Electrical conserving port associated with the negative terminal

Parameters

Rated AC voltage — Rated AC voltage
4160V (default)

Rated voltage of the AC system.

Fixed power loss — Fixed power loss
1e3W (default)

Minimum power drawn on the AC side at rated AC voltage. When the instantaneous AC voltage is equal to the value you specify for the **Rated AC voltage**, the AC power demand equals the value you specify for the **Fixed power loss** plus DC power demand.

Extended Capabilities

C/C++ Code Generation

Generate C and C++ code using Simulink® Coder™.

See Also

Average-Value Chopper | Average-Value DC-DC Converter | Average-Value Inverter (Three-Phase) | Bidirectional DC-DC Converter | Boost Converter | Buck Converter | Buck-Boost Converter | Converter (Three-Phase) | Rectifier (Three-Phase) | Three-Level Converter (Three-Phase)

Topics

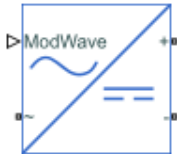
“Expand and Collapse Three-Phase Ports on a Block”

Introduced in R2014b

Average-Value Voltage Source Converter (Three-Phase)

Average-value bidirectional AC/DC voltage source converter

Library: Simscape / Electrical / Semiconductors & Converters / Converters



Description

The Average-Value Voltage Source Converter (Three-Phase) block converts electrical energy from AC to DC voltage or from DC to AC voltage according to an input three-phase modulation wave. The corresponding input power is equal to the sum of the fixed power loss and the output power.

Ports

Input

ModWave — Modulation wave

vector

Physical signal input port associated with the normalized modulation wave.

Conserving

~ — Voltage

electrical

Expandable electrical conserving port associated with voltage. For more information, see three-phase port.

+ — Positive terminal

electrical

Electrical conserving port associated with the positive terminal.

- — Negative terminal

electrical

Electrical conserving port associated with the negative terminal.

Parameters

Fixed power loss — Power loss

1 W (default)

Fixed power loss on semiconductor components, in W. The input power is equal to the fixed power loss plus output power.

Extended Capabilities

C/C++ Code Generation

Generate C and C++ code using Simulink® Coder™.

See Also

[Average-Value Chopper](#) | [Average-Value Inverter \(Three-Phase\)](#) | [Average-Value Rectifier \(Three-Phase\)](#) | [Voltage Source](#)

Introduced in R2018a

Band-Limited Op-Amp

Model band-limited operational amplifier

Library: Simscape / Electrical / Integrated Circuits



Description

The Band-Limited Op-Amp block models a band-limited operational amplifier. If the voltages at the positive and negative ports are V_p and V_m , respectively, the output voltage is:

$$V_{out} = \frac{A(V_p - V_m)}{\frac{s}{2\pi f} + 1} - I_{out} * R_{out}$$

where:

- A is the gain.
- R_{out} is the output resistance.
- I_{out} is the output current.
- s is the Laplace operator.
- f is the 3-dB bandwidth.

The input current is:

$$\frac{V_p - V_m}{R_{in}}$$

where R_{in} is the input resistance.

The block does not use the initial condition you specify using the **Initial output voltage, V0** parameter if you select the **Start simulation from steady state** check box in the SimscapeSolver Configuration block.

Ports

Conserving

+ – Non-inverting input

electrical

Electrical conserving port associated with the op-amp non-inverting input

- – Inverting input

electrical

Electrical conserving port associated with the op-amp inverting input

OUT – Output voltage

electrical

Electrical conserving port associated with the op-amp output voltage

Parameters**Gain, A – Open-loop gain**

1000 (default)

The open-loop gain of the operational amplifier.

Input resistance, Rin – Input resistance

1e6 Ohm (default)

The resistance at the input of the operational amplifier that the block uses to calculate the input current.

Output resistance, Rout – Output resistance

100 Ohm (default)

The resistance at the output of the operational amplifier that the block uses to calculate the drop in output voltage due to the output current.

Minimum output, Vmin – Minimum output

-15 V (default)

The lower limit on the operational amplifier no-load output voltage.

Maximum output, Vmax – Maximum output

15 V (default)

The upper limit on the operational amplifier no-load output voltage.

Maximum slew rate, Vdot – Maximum slew rate

1000 V/s (default)

The maximum positive or negative rate of change of output voltage magnitude.

Bandwidth, f – Open-loop bandwidth

1e5 Hz (default)

The open-loop bandwidth, that is, the frequency at which the gain drops by 3 dB compared to the low-frequency gain, A.

Initial output voltage, V0 – Initial output voltage

0 V (default)

The output voltage at the start of the simulation when the output current is zero.

Note This parameter value does not account for the voltage drop across the output resistor.

Extended Capabilities

C/C++ Code Generation

Generate C and C++ code using Simulink® Coder™.

See Also

Finite-Gain Op-Amp | Fully Differential Op-Amp | Op-Amp

Introduced in R2008a

Battery

Behavioral battery model

Library: Simscape / Electrical / Sources



Description

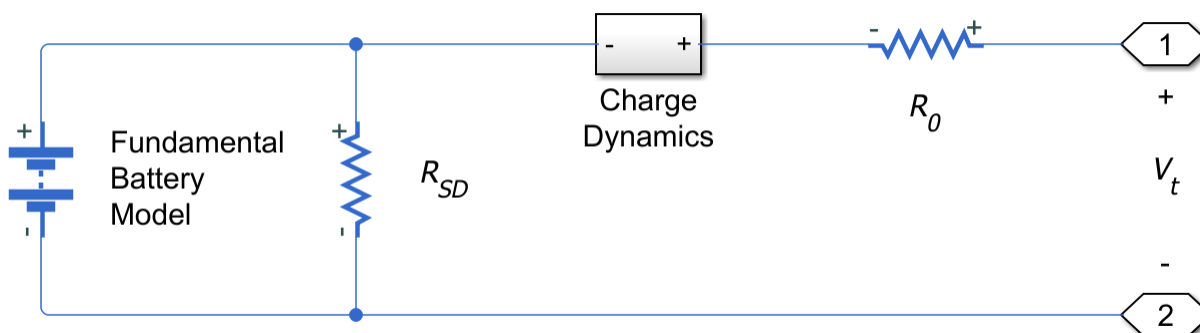
The Battery block represents a simple battery model. The block has four modeling variants, accessible by right-clicking the block in your block diagram and then selecting the appropriate option from the context menu, under **Simscape > Block choices**:

- **Uninstrumented | No thermal port** — Basic model that does not output battery charge level or simulate thermal effects. This modeling variant is the default.
- **Uninstrumented | Show thermal port** — Model with exposed thermal port. This model does not measure internal charge level of the battery.
- **Instrumented | No thermal port** — Model with exposed charge output port. This model does not simulate thermal effects.
- **Instrumented | Show thermal port** — Model that lets you measure internal charge level of the battery and simulate thermal effects. Both the thermal port and the charge output port are exposed.

The instrumented variants have an extra physical signal port that outputs the internal state of charge. Use this functionality to change load behavior as a function of state of charge, without the complexity of building a charge state estimator.

The thermal port variants expose a thermal port, which represents the battery thermal mass. When you select this option, provide additional parameters to define battery behavior at a second temperature. For more information, see “Modeling Thermal Effects” on page 1-41.

The battery equivalent circuit is made up of the fundamental battery model, the self-discharge resistance R_{SD} , the charge dynamics model, and the series resistance R_0 .



Battery Model

If you select **Infinite** for the **Battery charge capacity** parameter, the block models the battery as a series resistor and a constant voltage source. If you select **Finite** for the **Battery charge capacity** parameter, the block models the battery as a series resistor and a charge-dependent voltage source. In the finite case, the voltage is a function of charge and has the following relationship:

$$V = V_0 \left(\frac{\text{SOC}}{1 - \beta(1 - \text{SOC})} \right)$$

where:

- SOC (state-of-charge) is the ratio of current charge to rated battery capacity.
- V_0 is the voltage when the battery is fully charged at no load, as defined by the **Nominal voltage**, **Vnom** parameter.
- β is a constant that is calculated so that the battery voltage is $V1$ when the charge is $AH1$. Specify the voltage $V1$ and ampere-hour rating $AH1$ using block parameters. $AH1$ is the charge when the no-load (open-circuit) voltage is $V1$, and $V1$ is less than the nominal voltage.

The equation defines an approximate relationship between voltage and remaining charge. This approximation replicates the increasing rate of voltage drop at low charge values, and ensures that the battery voltage becomes zero when the charge level is zero. The advantage of this model is that it requires few parameters, which are readily available on most datasheets.

Modeling Battery Fade

For battery models with finite battery charge capacity, you can model battery performance deterioration depending on the number of discharge cycles. This deterioration is referred to as battery fade. To enable battery fade, set the **Battery fade** parameter to **Enabled**. This setting exposes additional parameters in the **Fade** section.

The block implements battery fade by scaling certain battery parameter values that you specify in the **Main** section, depending on the number of completed discharge cycles. The block uses multipliers λ_{AH} , λ_{R0} , and λ_{V1} on the **Ampere-hour rating**, **Internal resistance**, and **Voltage V1 when charge is AH1** parameter values, respectively. These multipliers, in turn, depend on the number of discharge cycles:

$$\lambda_{AH} = 1 - k_1 N^{0.5}$$

$$\lambda_{R0} = 1 + k_2 N^{0.5}$$

$$\lambda_{V1} = 1 - k_3 N$$

$$N = N_0 + \frac{1}{AH} \int_0^t \frac{i(t) \cdot H(i(t))}{\lambda_{AH}(t)} dt$$

where:

- λ_{AH} is the multiplier for battery nominal capacity.
- λ_{R0} is the multiplier for battery series resistance.
- λ_{V1} is the multiplier for voltage $V1$.

- N is the number of discharge cycles completed.
- N_0 is the number of full discharge cycles completed before the start of the simulation.
- AH is the rated battery capacity in ampere-hours.
- $i(t)$ is the instantaneous battery output current.
- $H(i(t))$ is the Heaviside function of the instantaneous battery output current. This function returns 0 if the argument is negative, and 1 if the argument is positive.

The block calculates the coefficients k_1 , k_2 , and k_3 by substituting the parameter values you provide in the **Facte** section into these battery equations. For example, the default set of block parameters corresponds to the following coefficient values:

- $k_1 = 1\text{e-}2$
- $k_2 = 1\text{e-}3$
- $k_3 = 1\text{e-}3$

You can also define a starting point for a simulation based on the previous charge-discharge history by using the high-priority variable **Discharge cycles**. For more information, see “Variables” on page 1-43.

Modeling Thermal Effects

For thermal variants of the block, you provide additional parameters to define battery behavior at a second temperature. The extended equations for the voltage when the thermal port is exposed are:

$$V = V_{0T} \left(\frac{\text{SOC}}{1 - \beta_T(1 - \text{SOC})} \right)$$

$$V_{0T} = V_0(1 + \lambda_V(T - T_1))$$

where:

- T is the battery temperature.
- T_1 is the nominal measurement temperature.
- λ_V is the parameter temperature dependence coefficient for V_0 .
- $\beta_T = \beta[1 + \lambda_\beta(T - T_1)]$.
- λ_β is the parameter temperature dependence coefficient for β .
- β is calculated in the same way as “Battery Model” on page 1-40, using the temperature-modified nominal voltage V_{0T} .

The internal series resistance, self-discharge resistance, and any charge-dynamic resistances are also functions of temperature:

$$R_T = R(1 + \lambda_R(T - T_1))$$

where λ_R is the parameter temperature dependence coefficient.

All the temperature dependence coefficients are determined from the corresponding values you provide at the nominal and second measurement temperatures. If you include charge dynamics in the model, the time constants vary with temperature in the same way.

The battery temperature is determined from a summation of all the ohmic losses included in the model:

$$M_{th}\dot{T} = \sum_i V_{T,i}^2/R_{T,i}$$

where:

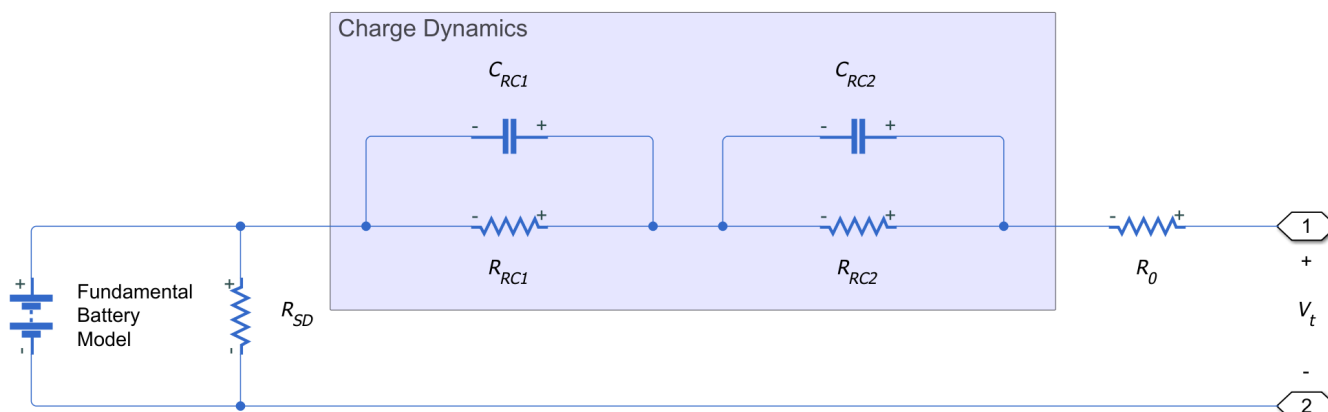
- M_{th} is the battery thermal mass.
- i corresponds to the i th ohmic loss contributor. Depending on how you have configured the block, the losses include:
 - Series resistance
 - Self-discharge resistance
 - First charge dynamics segment
 - Second charge dynamics segment
 - Third charge dynamics segment
 - Fourth charge dynamics segment
 - Fifth charge dynamics segment
- $V_{T,i}$ is the voltage drop across resistor i .
- $R_{T,i}$ is resistor i .

Modeling Charge Dynamics

You can model battery charge dynamics using the **Charge dynamics** parameter:

- **No dynamics** — The equivalent circuit contains no parallel RC sections. There is no delay between terminal voltage and internal charging voltage of the battery.
- **One time-constant dynamics** — The equivalent circuit contains one parallel RC section. Specify the time constant using the **First time constant** parameter.
- **Two time-constant dynamics** — The equivalent circuit contains two parallel RC sections. Specify the time constants using the **First time constant** and **Second time constant** parameters.
- **Three time-constant dynamics** — The equivalent circuit contains three parallel RC sections. Specify the time constants using the **First time constant**, **Second time constant**, and **Third time constant** parameters.
- **Four time-constant dynamics** — The equivalent circuit contains four parallel RC sections. Specify the time constants using the **First time constant**, **Second time constant**, **Third time constant**, and **Fourth time constant** parameters.
- **Five time-constant dynamics** — The equivalent circuit contains five parallel RC sections. Specify the time constants using the **First time constant**, **Second time constant**, **Third time constant**, **Fourth time constant**, and **Fifth time constant** parameters.

This figure shows the equivalent circuit for the block configured with two time-constant dynamics.



In the diagram:

- R_{RC1} and R_{RC2} are the parallel RC resistances. Specify these values with the **First polarization resistance** and **Second polarization resistance** parameters, respectively.
- C_{RC1} and C_{RC2} are the parallel RC capacitances. The time constant τ for each parallel section relates the R and C values using the relationship $C = \tau/R$. Specify τ for each section using the **First time constant** and **Second time constant** parameters, respectively.
- R_0 is the series resistance. Specify this value with the **Internal resistance** parameter.

Plotting Voltage-Charge Characteristics

A quick plot feature lets you visualize the voltage-charge characteristic for the battery model parameter values. To plot the characteristics, right-click a Battery block in your model and, from the context menu, select **Electrical > Basic characteristic**. The software automatically computes a set of bias conditions, based on the block parameter values, and opens a figure window containing a plot of no-load voltage versus the state-of-charge (SOC) for the block. For more information, see “Plot Basic Characteristics for Battery Blocks”.

Variables

Use the **Variables** section of the block interface to set the priority and initial target values for the block variables prior to simulation. For more information, see “Set Priority and Initial Target for Block Variables”.

Unlike block parameters, variables do not have conditional visibility. The **Variables** section lists all the existing block variables. If a variable is not used in the set of equations corresponding to the selected block configuration, the values specified for this variable are ignored.

When you model battery fade, the **Discharge cycles** variable lets you specify the number of charge-discharge cycles completed prior to the start of simulation. If you disable battery fade modeling, this variable is not used by the block.

Assumptions and Limitations

- The self-discharge resistance is assumed not to depend strongly on the number of discharge cycles.
- For the thermal variant of the battery, you provide fade data only for the reference temperature operation. The block applies the same derived λ_{AH} , λ_{R0} , and λ_{V1} multipliers to parameter values corresponding to the second temperature.

- When using the thermal block variants, use caution when operating at temperatures outside of the temperature range bounded by the **Measurement temperature** and **Second measurement temperature** values. The block uses linear interpolation for the derived equation coefficients, and simulation results can become nonphysical outside of the specified range. The block checks that the internal series resistance, self-discharge resistance, and nominal voltage always remain positive. If there is a violation, the block issues error messages.

Ports

Output

q — Battery charge level, C

physical signal

Physical signal port that outputs the internal charge, in the units of coulomb (C). Use this output port to change load behavior as a function of charge, without the complexity of building a charge state estimator.

Dependencies

Enabled for the instrumented variants of the block: **Instrumented | No thermal port** and **Instrumented | Show thermal port**.

Conserving

+ — Positive terminal

electrical

Electrical conserving port associated with the battery positive terminal.

- — Negative terminal

electrical

Electrical conserving port associated with the battery negative terminal.

H — Battery thermal mass

thermal

Thermal conserving port that represents the battery thermal mass. When you expose this port, provide additional parameters to define battery behavior at a second temperature. For more information, see “Modeling Thermal Effects” on page 1-41.

Dependencies

Enabled for the thermal variants of the block: **Uninstrumented | Show thermal port** and **Instrumented | Show thermal port**.

Parameters

Main

Nominal voltage, Vnom — Output voltage when battery is fully charged

12 V (default) | positive number

The no-load voltage across the battery when it is fully charged.

Current directionality — Enable direction of current

Disabled (default) | Enabled

Whether to enable current directionality. If you set this parameter to Enabled, the terminal resistance depends on the direction of the current.

Internal resistance — Battery internal resistance

2 Ohm (default) | positive number

Internal connection resistance of the battery.

Dependencies

To enable this parameter, set **Current directionality** to Disabled.

Internal resistance during charge phase — Battery internal resistance during charge

2 Ohm (default) | positive number

Internal connection resistance of the battery during charge phase.

Dependencies

To enable this parameter, set **Current directionality** to Enabled.

Internal resistance during discharge phase — Battery internal resistance during discharge

2 Ohm (default) | positive number

Internal connection resistance of the battery during discharge phase.

Dependencies

To enable this parameter, set **Current directionality** to Enabled.

Battery charge capacity — Select battery model

Infinite (default) | Finite

Select one of the options for modeling the charge capacity of the battery:

- **Infinite** — The battery voltage is independent of charge drawn from the battery.
- **Finite** — The battery voltage decreases as charge decreases.

Ampere-hour rating — Nominal battery capacity when fully charged

50 hr*A (default) | positive number

The maximum (nominal) battery charge in ampere-hours. To specify a target value for the initial battery charge at the start of simulation, use the high-priority **Charge** variable. For more information, see “Variables” on page 1-43.

Dependencies

Enabled when the **Battery charge capacity** parameter is set to Finite.

Voltage V1 when charge is AH1 — Output voltage at charge level AH1

11.5 V (default) | positive number

The fundamental battery output voltage when the charge level is AH1, as specified by the **Charge AH1 when no-load voltage is V1** parameter. This parameter must be less than **Nominal voltage, Vnom**.

Dependencies

Enabled when the **Battery charge capacity** parameter is set to *Finite*.

Charge AH1 when no-load voltage is V1 — Charge level when the no-load output voltage is V1

25 hr*A (default) | positive number

The battery charge level corresponding to the no-load output voltage specified by the **Voltage V1 when charge is AH1** parameter.

Dependencies

Enabled when the **Battery charge capacity** parameter is set to *Finite*.

Self-discharge — Select whether to model the self-discharge resistance of the battery

Disabled (default) | Enabled

Select whether to model the self-discharge resistance of the battery. The block models this effect as a resistor across the terminals of the fundamental battery model.

As temperature increases, self-discharge resistance decreases, causing self-discharge to increase. If the decrease in resistance is too fast, thermal runaway of the battery and numerical instability can occur. You can resolve this by doing any of the following:

- Decrease the thermal resistance
- Decrease the gradient of the self-discharge resistance with respect to temperature
- Increase the self-discharge resistance

Dependencies

Enabled when the **Battery charge capacity** parameter is set to *Finite*.

Self-discharge resistance — Resistance that represents battery self-discharge

2000 Ohm (default) | positive number

The resistance across the fundamental battery model that represents battery self-discharge.

Dependencies

Enabled when the **Self-discharge** parameter is set to *Enabled*.

Measurement temperature — Temperature at which the block parameters are measured

298.15 K (default) | positive number

Temperature T_1 , at which the block parameters in the **Main** section are measured. For more information, see “Modeling Thermal Effects” on page 1-41.

Dependencies

Enabled for blocks with exposed thermal port.

Dynamics

Charge dynamics — Battery charge dynamics model

No dynamics (default) | One time-constant dynamics | Two time-constant dynamics | Three time-constant dynamics | Four time-constant dynamics | Five time-constant dynamics

Select how to model battery charge dynamics. This parameter determines the number of parallel RC sections in the equivalent circuit:

- **No dynamics** — The equivalent circuit contains no parallel RC sections. There is no delay between terminal voltage and internal charging voltage of the battery.
- **One time-constant dynamics** — The equivalent circuit contains one parallel RC section. Specify the time constant using the **First time constant** parameter.
- **Two time-constant dynamics** — The equivalent circuit contains two parallel RC sections. Specify the time constants using the **First time constant** and **Second time constant** parameters.
- **Three time-constant dynamics** — The equivalent circuit contains three parallel RC sections. Specify the time constants using the **First time constant**, **Second time constant**, and **Third time constant** parameters.
- **Four time-constant dynamics** — The equivalent circuit contains four parallel RC sections. Specify the time constants using the **First time constant**, **Second time constant**, **Third time constant**, and **Fourth time constant** parameters.
- **Five time-constant dynamics** — The equivalent circuit contains five parallel RC sections. Specify the time constants using the **First time constant**, **Second time constant**, **Third time constant**, **Fourth time constant**, and **Fifth time constant** parameters.

First polarization resistance — First RC resistance

0.005 Ohm (default) | positive number

The resistance of the first parallel RC section. This parameter primarily affects the ohmic losses of the RC section.

Dependencies

To enable this parameter, set **Charge dynamics** to One time-constant dynamics, Two time-constant dynamics, Three time-constant dynamics, Four time-constant dynamics, or Five time-constant dynamics.

First time constant — First RC time constant

30 s (default) | positive number

The time constant of the first parallel RC section. This value is equal to RC and affects the dynamics of the RC section.

Dependencies

To enable this parameter, set **Charge dynamics** to One time-constant dynamics, Two time-constant dynamics, Three time-constant dynamics, Four time-constant dynamics, or Five time-constant dynamics.

Second polarization resistance — Second RC resistance

0.005 Ohm (default) | positive number

The resistance of the second parallel RC section. This parameter primarily affects the ohmic losses of the RC section.

Dependencies

To enable this parameter, set **Charge dynamics** to Two time-constant dynamics, Three time-constant dynamics, Four time-constant dynamics, or Five time-constant dynamics.

Second time constant — Second RC time constant

30 s (default) | positive number

The time constant of the second parallel RC section. This value is equal to RC and affects the dynamics of the RC section.

Dependencies

To enable this parameter, set **Charge dynamics** to Two time-constant dynamics, Three time-constant dynamics, Four time-constant dynamics, or Five time-constant dynamics.

Third polarization resistance — Third RC resistance

0.005 Ohm (default) | positive number

The resistance of the third parallel RC section. This parameter primarily affects the ohmic losses of the RC section.

Dependencies

To enable this parameter, set **Charge dynamics** to Three time-constant dynamics, Four time-constant dynamics, or Five time-constant dynamics.

Third time constant — Third RC time constant

30 s (default) | positive number

The time constant of the third parallel RC section. This value is equal to RC and affects the dynamics of the RC section.

Dependencies

To enable this parameter, set **Charge dynamics** to Three time-constant dynamics, Four time-constant dynamics, or Five time-constant dynamics.

Fourth polarization resistance — Fourth RC resistance

0.005 Ohm (default) | positive number

The resistance of the fourth parallel RC section. This parameter primarily affects the ohmic losses of the RC section.

Dependencies

To enable this parameter, set **Charge dynamics** to Four time-constant dynamics or Five time-constant dynamics.

Fourth time constant — Fourth RC time constant

30 s (default) | positive number

The time constant of the fourth parallel RC section. This value is equal to RC and affects the dynamics of the RC section.

Dependencies

To enable this parameter, set **Charge dynamics** to `Four time-constant dynamics` or `Five time-constant dynamics`.

Fifth polarization resistance — Fifth RC resistance

0.005 Ohm (default) | positive number

The resistance of the fifth parallel RC section. This parameter primarily affects the ohmic losses of the RC section.

Dependencies

To enable this parameter, set **Charge dynamics** to `Five time-constant dynamics`.

Fifth time constant — Fifth RC time constant

30 s (default) | positive number

The time constant of the fifth parallel RC section. This value is equal to RC and affects the dynamics of the RC section.

Dependencies

To enable this parameter, set **Charge dynamics** to `Five time-constant dynamics`.

Fade**Battery fade — Select whether to model battery performance deterioration with aging**

Disabled (default) | Enabled

Select whether to include battery fade modeling:

- **Disabled** — The battery performance is not age dependent.
- **Enabled** — The battery performance changes depending on the number of completed charge-discharge cycles. Selecting this option exposes additional parameters in this section, which define the battery performance after a certain number of discharge cycles. The block uses these parameter values to calculate the scaling coefficients k_1 , k_2 , and k_3 . For more information, see “Modeling Battery Fade” on page 1-40.

Dependencies

Enabled when the **Battery charge capacity** parameter in the **Main** section is set to `Finite`. If **Battery charge capacity** is `Infinite`, the **Fade** section is empty.

Number of discharge cycles, N — Number of cycles that defines a second set of data points

100 (default) | positive number

The number of charge-discharge cycles after which the other parameters in this section are measured. This second set of data points defines the scaling coefficients k_1 , k_2 , and k_3 , used in modeling battery fade.

Dependencies

Enabled when the **Battery fade** parameter is set to `Enabled`.

Ampere-hour rating after N discharge cycles — Maximum battery capacity after N discharge cycles

45 hr*A (default) | positive number

The maximum battery charge, in ampere-hours, after the number of discharge cycles specified by the **Number of discharge cycles, N** parameter.

Dependencies

Enabled when the **Battery fade** parameter is set to Enabled.

Internal resistance after N discharge cycles — Battery internal resistance after N discharge cycles

2.02 Ohm (default) | positive number

The battery internal resistance after the number of discharge cycles specified by the **Number of discharge cycles, N** parameter.

Dependencies

Enabled when the **Battery fade** parameter is set to Enabled and **Current Directionality** is set to Disabled.

Average internal resistance after N discharge cycles — Battery average internal resistance after N discharge cycles

2.02 Ohm (default) | positive number

Average of the battery charge and discharge internal resistance after the number of discharge cycles specified by the **Number of discharge cycles, N** parameter.

Dependencies

To enable this parameter, set **Battery fade** and **Current directionality** to Enabled.

Voltage V1 at charge AH1 after N discharge cycles — Output voltage at charge level AH1 after N discharge cycles

10.35 V (default) | positive number

The fundamental battery model output voltage, at charge level AH1, after the number of discharge cycles specified by the **Number of discharge cycles, N** parameter.

Dependencies

Enabled when the **Battery fade** parameter is set to Enabled.

Temperature Dependence

This section appears only for blocks with exposed thermal port. For more information, see “Modeling Thermal Effects” on page 1-41.

Nominal voltage at second measurement temperature — Output voltage when battery is fully charged

12 V (default) | positive number

The no-load voltage across the battery at the second measurement temperature when it is fully charged.

Internal resistance at second measurement temperature – Battery internal resistance

2.2 0hm (default) | positive number

Internal connection resistance of the battery at the second measurement temperature.

Voltage V1 at second measurement temperature – Output voltage at charge level AH1

11.4 V (default) | positive number

The fundamental battery model output voltage at the second measurement temperature and at charge level AH1, as specified by the **Charge AH1 when no-load voltage is V1** parameter.

Dependencies

Enabled when the **Battery charge capacity** parameter in the **Main** section is set to **Finite**.

Self-discharge resistance at second measurement temperature – Resistance that represents battery self-discharge

2200 0hm (default) | positive number

The resistance across the fundamental battery model at the second measurement temperature. This resistance represents the self-discharge.

Dependencies

Enabled when the **Self-discharge resistance** parameter in the **Main** section is set to **Enabled**.

First polarization resistance at second measurement temperature – First RC resistance at second measurement temperature

0.005 0hm (default) | positive number

The resistance of the first parallel RC section at the second measurement temperature.

Dependencies

To enable this parameter, set **Charge dynamics** to **One time-constant dynamics**, **Two time-constant dynamics**, **Three time-constant dynamics**, **Four time-constant dynamics**, or **Five time-constant dynamics**.

First time constant at second measurement temperature – First RC time constant at second measurement temperature

30 s (default) | positive number

The time constant of the first parallel RC section at the second measurement temperature.

Dependencies

To enable this parameter, set **Charge dynamics** to **One time-constant dynamics**, **Two time-constant dynamics**, **Three time-constant dynamics**, **Four time-constant dynamics**, or **Five time-constant dynamics**.

Second polarization resistance at second measurement temperature – Second RC resistance at second measurement temperature

0.005 0hm (default) | positive number

The resistance of the second parallel RC section at the second measurement temperature.

Dependencies

To enable this parameter, set **Charge dynamics** to Two time-constant dynamics, Three time-constant dynamics, Four time-constant dynamics, or Five time-constant dynamics.

Second time constant at second measurement temperature — Second RC time constant at second measurement temperature

30 s (default) | positive number

The time constant of the second parallel RC section at the second measurement temperature.

Dependencies

To enable this parameter, set **Charge dynamics** to Two time-constant dynamics, Three time-constant dynamics, Four time-constant dynamics, or Five time-constant dynamics.

Third polarization resistance at second measurement temperature — Third RC resistance at second measurement temperature

0.005 Ohm (default) | positive number

The resistance of the third parallel RC section at the second measurement temperature.

Dependencies

To enable this parameter, set **Charge dynamics** to Three time-constant dynamics, Four time-constant dynamics, or Five time-constant dynamics.

Third time constant at second measurement temperature — Third RC time constant at second measurement temperature

30 s (default) | positive number

The time constant of the third parallel RC section at the second measurement temperature.

Dependencies

To enable this parameter, set **Charge dynamics** to Three time-constant dynamics, Four time-constant dynamics, or Five time-constant dynamics.

Fourth polarization resistance at second measurement temperature — Fourth RC resistance at second measurement temperature

0.005 Ohm (default) | positive number

The resistance of the fourth parallel RC section at the second measurement temperature.

Dependencies

To enable this parameter, set **Charge dynamics** to Four time-constant dynamics or Five time-constant dynamics.

Fourth time constant at second measurement temperature — Fourth RC time constant at second measurement temperature

30 s (default) | positive number

The time constant of the fourth parallel RC section at the second measurement temperature.

Dependencies

To enable this parameter, set **Charge dynamics** to `Four` time-constant dynamics or `Five` time-constant dynamics.

Fifth polarization resistance at second measurement temperature — Fifth RC resistance at second measurement temperature

0.005 Ohm (default) | positive number

The resistance of the fifth parallel RC section at the second measurement temperature.

Dependencies

To enable this parameter, set **Charge dynamics** to `Five` time-constant dynamics.

Fifth time constant at second measurement temperature — Fifth RC time constant at second measurement temperature

30 s (default) | positive number

The time constant of the fifth parallel RC section at the second measurement temperature.

Dependencies

To enable this parameter, set **Charge dynamics** to `Five` time-constant dynamics.

Second measurement temperature — Temperature at which the block parameters in this section are measured

273.15 K (default) | positive number

Temperature T_2 , at which the block parameters in the **Temperature Dependence** section are measured. For more information, see “Modeling Thermal Effects” on page 1-41.

To specify the initial temperature at the start of simulation, use the high-priority **Temperature** variable. For more information, see “Variables” on page 1-43.

Thermal Port

This section appears only for blocks with exposed thermal port. For more information, see “Modeling Thermal Effects” on page 1-41.

Thermal mass — Thermal mass associated with the thermal port

30000 J/K (default) | positive number

Thermal mass associated with the thermal port H. It represents the energy required to raise the temperature of the thermal port by one degree.

References

- [1] Ramadass, P., B. Haran, R. E. White, and B. N. Popov. “Mathematical modeling of the capacity fade of Li-ion cells.” *Journal of Power Sources*. 123 (2003), pp. 230-240.
- [2] Ning, G., B. Haran, and B. N. Popov. “Capacity fade study of lithium-ion batteries cycled at high discharge rates.” *Journal of Power Sources*. 117 (2003), pp. 160-169.

Extended Capabilities

C/C++ Code Generation

Generate C and C++ code using Simulink® Coder™.

See Also

Battery (Table-Based) | Controlled Voltage Source | DC Voltage Source

Introduced in R2008b

Battery (Table-Based)

Tabulated battery model

Library: Simscape / Electrical / Sources



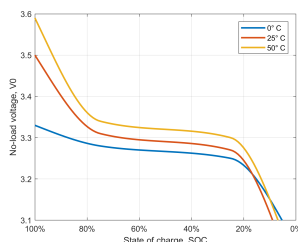
Description

The Battery (Table-Based) block represents a high-fidelity battery model. The block calculates no-load voltage as a function of charge level and optional temperature using lookup tables and includes several modeling options:

- Self-discharge
- Battery fade
- Charge dynamics

Note The block can use linear or nearest interpolation and extrapolation for all the table based parameters. For rows and columns, it follows the row-column convention, whereas rows are indexed first and, subsequently, columns.

The plot shows a battery whose performance varies with temperature and state of charge changes, as typically found on a datasheet.



Use this block to parameterize batteries with complex no-load voltage behavior from datasheets or experimental results. For a simpler representation of a battery, see the Battery block.

The Battery (Table-Based) block has four modeling variants, accessible by right-clicking the block in your block diagram and then selecting the appropriate option from the context menu, under **Simscape > Block choices**:

- **Uninstrumented | No thermal port** — Basic model that does not output battery charge level and simulates at a fixed temperature. This modeling variant is the default.
- **Uninstrumented | Show thermal port** — Model with exposed thermal port. This model does not output internal charge level of the battery.
- **Instrumented | No thermal port** — Model with exposed charge output port. This model uses a fixed temperature throughout the simulation.

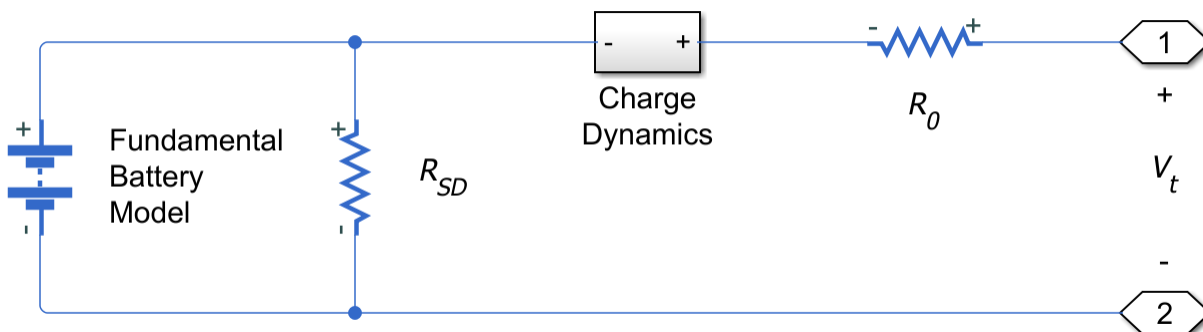
- **Instrumented | Show thermal port** — Model that lets you output internal charge level of the battery. Both the thermal port and the charge output port are exposed.

The instrumented variants have an extra physical signal port that outputs the internal state of charge. Use this functionality to change load behavior as a function of state of charge, without the complexity of building a charge state estimator.

The thermal port variants expose a thermal port, which represents the battery thermal mass.

You can also choose different built-in parameterizations for this block. For more information, see the “Predefined Parameterization” on page 1-60 section.

The battery equivalent circuit is made up of the fundamental battery model, the self-discharge resistance R_{SD} , the charge dynamics model, and the series resistance R_0 .



Battery Model

The block calculates the no-load voltage, or the voltage across the fundamental battery model by interpolation:

$$v_0 = v_0(\text{SOC}, T)$$

Where:

- v_0 is the no-load voltage of the battery. Specify the grid of lookup values using the **No-load voltage, V0(SOC,T)** parameter if tabulating parameters over temperature, or **No-load voltage, V0(SOC)** otherwise.
- SOC is the ratio of current charge to nominal battery capacity specified in the **Ampere-hour rating, AH(T)** parameter along with the effects of the temperature dependent fade percentage change in ampere-hour rating, $\delta_{AH}(n, T_{fade})$, specified in the **Percentage change in ampere-hour rating, dAH(N, Tfade)** parameter. Specify the SOC breakpoints using the **Vector of state-of-charge values, SOC** parameter. The block estimates the nominal battery capacity based on the number of cycles and the temperature of the battery by interpolating the specified temperature dependent fade characteristics and the **Ampere-hour rating, AH(T)** parameter.

SOC represents the normalized data with respect to q_{nom} .

For the lookup-table based fade characteristics option,

$$q_{nom}(T, n) = \left(1 + \frac{\delta_{AH}(n, T_{fade})}{100} \right) * AH(T) \text{ Ah} .$$

For the equation-based fade characteristics option,

$$q_{nom}(T, n) = \left(1 + \frac{\delta_{AH}}{100} \sqrt{\frac{n}{N}}\right) * AH(T) Ah.$$

Finally, SOC is obtained from the following equation.

$$SOC(t) = \frac{1}{q_{nom}(T, n)} \int \left(i(t) - \frac{V_{open}(T, n, t)}{R_{SD}(T, n)} \right) dt$$

Where:

- q_{nom} is the ampere-hour rating of the battery. Specify this value using the **Ampere-hour rating, AH(T)** parameter.
- N is the reference number of discharge cycles over which you specify percent change of several battery parameters. Set this value using the **Number of discharge cycles, N** parameter.
- n is the present number of cycles of the battery.
- δ_{AH} is the percentage change in ampere-hour rating of the battery after N discharge cycles.
- T is the battery temperature. Specify the T breakpoints using the **Vector of temperatures, T** parameter if tabulating the parameters over temperature.

The block also models the series resistance R_o as a function of state of charge and optional temperature. Specify the grid of lookup values for the series resistance using the **Terminal resistance, R0(SOC,T)** parameter if tabulating the parameters over temperature, or **Terminal resistance, R0(SOC)** otherwise.

Modeling Self-Discharge

When the battery terminals are open-circuit, it is still possible for internal currents to discharge the battery. This behavior is called self-discharge. To enable this effect, set the **Self-discharge** parameter to Enabled.

The block models these internal currents with a temperature-dependent resistance $R_{SD}(T)$ across the terminals of the fundamental battery model. You can specify the lookup values for this resistance using the **Self-discharge resistance, Rleak(T)** parameter if tabulating the parameters over temperature, or **Self-discharge resistance, Rleak** otherwise.

Modeling Charge Dynamics

Batteries are not able to respond instantaneously to load changes. They require some time to achieve a steady-state. This time-varying property is a result of battery charge dynamics and is modeled using parallel RC sections in the equivalent circuit.

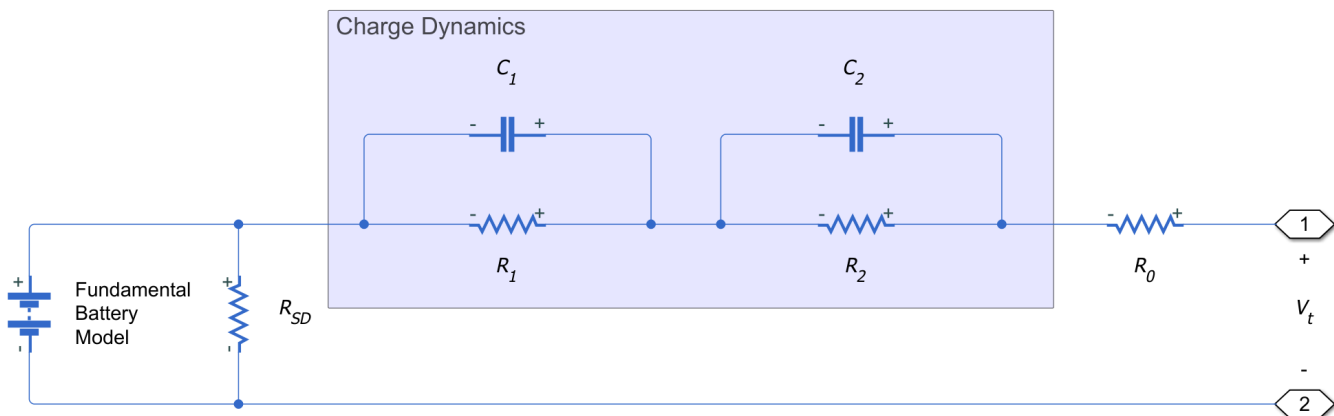
You can model battery charge dynamics using the **Charge dynamics** parameter:

- **No dynamics** — The equivalent circuit contains no parallel RC sections. There is no delay between terminal voltage and internal charging voltage of the battery.
- **One time-constant dynamics** — The equivalent circuit contains one parallel RC section. Specify the time constant using the **First time constant, tau1(SOC,T)** parameter if tabulating parameters over temperature or **First time constant, tau1(SOC)** otherwise.
- **Two time-constant dynamics** — The equivalent circuit contains two parallel RC sections. Specify the time constants using the **First time constant, tau1(SOC,T)** and **Second time**

constant, tau2(SOC,T) parameters if tabulating parameters over temperature or **First time constant, tau1(SOC)** and **Second time constant, tau2(SOC)** otherwise.

- Three time-constant dynamics — The equivalent circuit contains three parallel RC sections. Specify the time constants using the **First time constant, tau1(SOC,T)**, **Second time constant, tau2(SOC,T)**, and **Third time constant, tau3(SOC,T)** parameters if tabulating parameters over temperature or **First time constant, tau1(SOC)**, **Second time constant, tau2(SOC)**, and **Third time constant, tau3(SOC)** otherwise.
- Four time-constant dynamics — The equivalent circuit contains four parallel RC sections. Specify the time constants using the **First time constant, tau1(SOC,T)**, **Second time constant, tau2(SOC,T)**, **Third time constant, tau3(SOC,T)**, and **Fourth time constant, tau4(SOC,T)** parameters if tabulating parameters over temperature or **First time constant, tau1(SOC)**, **Second time constant, tau2(SOC)**, **Third time constant, tau3(SOC)**, and **Fourth time constant, tau4(SOC)** otherwise.
- Five time-constant dynamics — The equivalent circuit contains five parallel RC sections. Specify the time constants using the **First time constant, tau1(SOC,T)**, **Second time constant, tau2(SOC,T)**, **Third time constant, tau3(SOC,T)**, **Fourth time constant, tau4(SOC,T)**, and **Fifth time constant, tau5(SOC,T)** parameters if tabulating parameters over temperature or **First time constant, tau1(SOC)**, **Second time constant, tau2(SOC)**, **Third time constant, tau3(SOC)**, **Fourth time constant, tau4(SOC)**, and **Fifth time constant, tau5(SOC)** otherwise.

This diagram shows the equivalent circuit for the block configured with two time-constant dynamics.



In the diagram:

- R_1 and R_2 are the parallel RC resistances. Specify these values with the **First polarization resistance, R1(SOC,T)** and **Second polarization resistance, R2(SOC,T)** parameters, respectively, if tabulating parameters over temperature or **First polarization resistance, R1(SOC)** and **Second polarization resistance, R2(SOC)** otherwise.
- C_1 and C_2 are the parallel RC capacitances. The time constant τ for each parallel section relates the R and C values using the relationship $C = \tau/R$. Specify τ for each section using the **First time constant, tau1(SOC,T)** and **Second time constant, tau2(SOC,T)** parameters, respectively, if tabulating parameters over temperature or **First time constant, tau1(SOC)** and **Second time constant, tau2(SOC)** otherwise.
- R_0 is the series resistance. Specify this value with the **Terminal resistance, R0(SOC,T)** parameter if tabulating parameters over temperature or **Terminal resistance, R0(SOC)** otherwise.

Modeling Battery Fade

Battery fade is the deterioration of battery performance over repeated charge and discharge cycles. When the **Fade characteristics defined by** parameter is set to Equations, the battery fade is modeled as follows.

The no-load voltage across the fundamental battery model fades proportionally with the number of discharge cycles n :

$$v_{0, \text{fade}} = v_0 \left(1 + \frac{\delta_{v_0} n}{100 N} \right)$$

Where δ_{v_0} is the percent change in no-load voltage after N discharge cycles. Specify δ_{v_0} using the **Change in no-load voltage after N discharge cycles (%)** parameter.

The nominal charge, from which state of charge is calculated, fades with the square root of number of discharge cycles:

$$q_{nom, \text{fade}} = q_{nom} \left(1 + \frac{\delta_{AH} \sqrt{n}}{100 \sqrt{N}} \right)$$

All resistances in the battery model also fade with the square root of the number of discharge cycles:

$$R_{i, \text{fade}} = R_i \left(1 + \frac{\delta_{R_i} \sqrt{n}}{100 \sqrt{N}} \right)$$

Where:

- R_i is the i^{th} resistance
- δ_{R_i} is the percent change in this resistance over N cycles

Depending on how you have configured the block, the resistances might include:

- The series resistance — Specify the percent change over N cycles using the **Change in terminal resistance after N discharge cycles (%)** parameter.
- The self-discharge resistance — Specify the percent change over N cycles using the **Change in self-discharge resistance after N discharge cycles (%)** parameter.
- The first charge dynamics resistance — Specify the percent change over N cycles using the **Change in first polarization resistance after N discharge cycles (%)** parameter.
- The second charge dynamics resistance — Specify the percent change over N cycles using the **Change in second polarization resistance after N discharge cycles (%)** parameter.
- The third charge dynamics resistance — Specify the percent change over N cycles using the **Change in third polarization resistance after N discharge cycles (%)** parameter.
- The fourth charge dynamics resistance — Specify the percent change over N cycles using the **Change in fourth polarization resistance after N discharge cycles (%)** parameter.
- The fifth charge dynamics resistance — Specify the percent change over N cycles using the **Change in fifth polarization resistance after N discharge cycles (%)** parameter.

Note You can also model the battery fade characteristics by using lookup tables (temperature independent) or lookup tables (temperature dependent). Choosing any of these two options changes

the blocks parameters accordingly. For more information, see the “Fade” on page 1-71 parameters tab.

Modeling Thermal Effects

For thermal variants of the block, the battery temperature is determined from a summation of all the ohmic losses included in the model:

$$M_{th}\dot{T} = \sum_i V_{T,i}^2/R_{T,i}$$

Where:

- M_{th} is the battery thermal mass.
- i corresponds to the i^{th} ohmic loss contributor. Depending on how you have configured the block, the losses might include:
 - The series resistance
 - The self-discharge resistance
 - The first charge dynamics segment
 - The second charge dynamics segment
 - The third charge dynamics segment
 - The fourth charge dynamics segment
 - The fifth charge dynamics segment
- $V_{T,i}$ is the voltage drop across resistor i .
- $R_{T,i}$ is resistor i .

Predefined Parameterization

There are multiple available built-in parameterizations for the Battery (Table-Based) block.

This pre-parameterization data allows you to set up the block to represent components by specific suppliers. The parameterizations of these batteries match the manufacturer data sheets. To load a predefined parameterization, click on the **Select a predefined parameterization** hyperlink in the Battery (Table-Based) block mask and select the part you want to use from the list of available components.

The available pre-parameterized data model steady state electrical parameters of a lithium-ion battery. The change in series resistance with the battery cycle life, the thermal mass, and the dynamic RC network parameters are not parameterized. Instead, the net resistance of the RC network resistors is summed to the series resistance of the specific pre-parameterized data. If you need to fill the RC parameter data, subtract the net RC network resistance from the series resistance data.

The available data is parameterized for 1C discharge current for up to 99% of the depth of discharge. Simple fading parameters are given for single temperature.

Note Predefined parameterizations of Simscape components use available data sources for supplying parameter values. Engineering judgement and simplifying assumptions are used to fill in for missing data. As a result, deviations between simulated and actual physical behavior should be expected. To

ensure requisite accuracy, you should validate simulated behavior against experimental data and refine component models as necessary.

Plotting Voltage-Charge Characteristics

A quick plot feature lets you visualize the voltage-charge characteristic for the battery model parameter values. To plot the characteristics, right-click a Battery (Table-Based) block in your model and, from the context menu, select **Electrical > Basic characteristics**. The software automatically computes a set of bias conditions, based on the block parameter values, and opens a figure window containing a plot of no-load voltage versus the state-of-charge (SOC) for the block. For more information, see “Plot Basic Characteristics for Battery Blocks”.

Ports

Output

SOC — Battery charge level, C

physical signal

Physical signal port that outputs the internal state of charge. Use this output port to change load behavior as a function of state of charge, without the complexity of building a charge state estimator. The state of charge is the normalized value estimated from the ratio of current charge with the nominal battery capacity, $q_{nom}(T,n)$. The block estimates the current battery charge by integrating the battery terminal output current. To convert the state of charge into actual charge, you must use the correct nominal battery capacity for each temperature.

Dependencies

Enabled for the instrumented variants of the block: **Instrumented | No thermal port** and **Instrumented | Show thermal port**.

Conserving

+ — Positive terminal

electrical

Electrical conserving port associated with the battery positive terminal.

- — Negative terminal

electrical

Electrical conserving port associated with the battery negative terminal.

H — Battery thermal mass

thermal

Thermal conserving port that represents the battery thermal mass.

Dependencies

Enabled for the thermal variants of the block: **Uninstrumented | Show thermal port** and **Instrumented | Show thermal port**.

Parameters

Main

Vector of state-of-charge values, SOC – SOC breakpoints

[0, .25, .75, 1] (default) | vector

Vector of state-of-charge breakpoints defining the points at which you specify lookup data. This vector must be strictly ascending. The state-of-charge value is calculated with respect to the nominal battery capacity specified in the **Ampere-hour rating, AH(T)** parameter. SOC is the ratio of the available battery charge, $q_{battery}$ and the nominal battery capacity, $q_{nom}(T, n)$. You must make sure that, for each temperature, $SOC = 1$ represents the respective battery charge capacity specified in the **Ampere-hour rating, AH(T)** parameter, assuming a fresh battery with a number of cycles, N , equal to 1 and $\delta_{AH}(n = 1, T_{fade}) = 0$.

$$SOC = \frac{q_{battery}}{q_{nom}(T, n)}$$

for $N = 1$ and $\delta_{AH}(n, T_{fade}) = 0$, $q_{nom}(T, n) = AH(T)$.

Temperature dependent tables – Select whether to tabulate battery parameters over temperature

Yes - tabulate parameters over temperature (default) | No - do not tabulate parameters over temperature

Select whether to tabulate battery parameters over temperature.

Current directionality – Enable direction of current

Disabled (default) | Enabled

Whether to enable current directionality. If you set this parameter to Enabled, the terminal resistance depends on the direction of the current.

Vector of temperatures, T – T breakpoints

[273.15, 298.15, 323.15] K (default) | vector of positive numbers

Vector of temperature breakpoints defining the points at which you specify lookup data. This vector must be strictly ascending and greater than 0 K.

Dependencies

This parameter is visible only when the **Temperature dependent tables** parameter is set to Yes - tabulate parameters over temperature.

No-load voltage, $V_0(SOC, T)$ – V_0 lookup table with temperature breakpoint

[3.2, 3.1, 3.14; 3.25, 3.27, 3.3; 3.28, 3.31, 3.34; 3.33, 3.5, 3.59] V (default) | matrix of nonnegative numbers

Lookup data for no-load voltages across the fundamental battery model at the specified SOC and temperature breakpoints.

Dependencies

This parameter is visible only when the **Temperature dependent tables** parameter is set to Yes - tabulate parameters over temperature.

No-load voltage, $V_0(\text{SOC})$ – V_0 lookup table

[3.1, 3.27, 3.31, 3.5] V (default) | matrix of nonnegative numbers

Lookup data for no-load voltages across the fundamental battery model at the specified SOC.

Dependencies

This parameter is visible only when the **Temperature dependent tables** parameter is set to No - do not tabulate parameters over temperature.

Terminal resistance, $R_0(\text{SOC}, T)$ – R_0 lookup table with temperature breakpoint

[.03, .015, .002; .04, .017, .008; .039, .012, .006; .027, .013, .021] Ohm (default) | matrix of nonnegative numbers

Lookup data for series resistance of the battery at the specified SOC and temperature breakpoints.

Dependencies

This parameter is visible only when the **Temperature dependent tables** parameter is set to Yes - tabulate parameters over temperature and the **Current directionality** parameter is set to Disabled.

Terminal resistance during discharging, $R_0(\text{SOC}, T)$ – R_0 lookup table with temperature breakpoint during discharging phase

[.03, .015, .002; .04, .017, .008; .039, .012, .006; .027, .013, .021] Ohm (default) | matrix of nonnegative numbers

Lookup data for series resistance of the battery at the specified SOC and temperature breakpoints during the discharging phase.

Dependencies

This parameter is visible only when the **Temperature dependent tables** parameter is set to Yes - tabulate parameters over temperature and the **Current directionality** parameter is set to Enabled.

Terminal resistance during charging, $R_0(\text{SOC}, T)$ – R_0 lookup table with temperature breakpoint during charging phase

[.03, .015, .002; .04, .017, .008; .039, .012, .006; .027, .013, .021] Ohm (default) | matrix of nonnegative numbers

Lookup data for series resistance of the battery at the specified SOC and temperature breakpoints during the charging phase.

Dependencies

This parameter is visible only when the **Temperature dependent tables** parameter is set to Yes - tabulate parameters over temperature and the **Current directionality** parameter is set to Enabled.

Terminal resistance, $R_0(\text{SOC})$ – R_0 lookup table

[.015, .017, .012, .013] Ohm (default) | matrix of nonnegative numbers

Lookup data for series resistance of the battery at the specified SOC.

Dependencies

This parameter is visible only when the **Temperature dependent tables** parameter is set to No - do not tabulate parameters over temperature and the **Current directionality** parameter is set to Disabled.

Terminal resistance during discharging, $R_0(\text{SOC})$ – R0 lookup table during discharging phase

[.015, .017, .012, .013] Ohm (default) | matrix of nonnegative numbers

Lookup data for series resistance of the battery at the specified SOC during the discharging phase.

Dependencies

This parameter is visible only when the **Temperature dependent tables** parameter is set to No - do not tabulate parameters over temperature and the **Current directionality** parameter is set to Enabled.

Terminal resistance during charging, $R_0(\text{SOC})$ – R0 lookup table during charging phase

[.015, .017, .012, .013] Ohm (default) | matrix of nonnegative numbers

Lookup data for series resistance of the battery at the specified SOC during the charging phase.

Dependencies

This parameter is visible only when the **Temperature dependent tables** parameter is set to No - do not tabulate parameters over temperature and the **Current directionality** parameter is set to Enabled.

Ampere-hour rating, $AH(T)$ – AH rating at temperature breakpoints

[2.9, 4.1, 4.2] hr*A (default) | vector of nonnegative numbers

Lookup data for the ampere-hour rating of the battery at the specified temperature breakpoints. The block calculates the state of charge by dividing the accumulated charge by this value. In case of a fresh battery where number of cycles, n , is equal to 1 and $\delta_{AH}(n, T_{fade})$ is equal to 0, $\text{SOC} = 1$ represents the capacity specified by this parameter for each temperature. To estimate the nominal capacity and calculate the SOC value, the block applies interpolation techniques over this parameter. The block then uses this SOC value to estimate the open circuit voltage and circuit resistances from the specified lookup table values.

Dependencies

This parameter is visible only when the **Temperature dependent tables** parameter is set to Yes - tabulate parameters over temperature.

Ampere-hour rating, AH – AH breakpoints

4.1 hr*A (default) | nonnegative scalar

Lookup data for the ampere-hour rating of the battery. The block calculates the state of charge by dividing the accumulated charge by this value. The block calculates accumulated charge by integrating the battery current.

Dependencies

This parameter is visible only when the **Temperature dependent tables** parameter is set to No - do not tabulate parameters over temperature.

Self-discharge — Select whether to model the self-discharge resistance of the battery

Disabled (default) | Enabled

Select whether to model the self-discharge resistance of the battery. The block models this effect as a resistor across the terminals of the fundamental battery model.

As temperature increases, self-discharge resistance decreases, causing self-discharge to increase. If the decrease in resistance is too fast, thermal runaway of the battery and numerical instability can occur. You can resolve this instability by making any of these changes:

- Decrease the thermal resistance
- Decrease the gradient of the self-discharge resistance with respect to temperature
- Increase the self-discharge resistance

Self-discharge resistance, $R_{leak}(T)$ — Resistance that represents battery self-discharge at temperature breakpoints

[8000, 7000, 6000] Ohm (default) | vector of positive numbers

Lookup data for self-discharge resistance of the battery at the specified temperature breakpoints. This resistance acts across the terminals of the fundamental battery model.

Dependencies

Enabled when the **Self-discharge** parameter is set to Enabled and **Temperature dependent tables** is set to Yes - tabulate parameters over temperature.

Self-discharge resistance, R_{leak} — Resistance that represents battery self-discharge

7e3 Ohm (default) | positive scalar

Lookup data for self-discharge resistance of the battery. This resistance acts across the terminals of the fundamental battery model.

Dependencies

This parameter is visible only when the **Self-discharge** parameter is set to Enabled and the **Temperature dependent tables** parameter is set to No - do not tabulate parameters over temperature.

.

Extrapolation method for all tables — Method of extrapolation for tables

Nearest (default) | Linear | Error

Extrapolation method for all the table based parameters:

- **Linear** — Estimates values beyond the dataset by creating a tangent line at the end of the known data and extending it beyond that limit.
- **Nearest** — Extrapolates a value at query point that is the value at the nearest sample grid point.
- **Error** — Returns an error if the value goes beyond the known dataset. If you select this option, the block does not use extrapolation.

Dynamics

Charge dynamics — Battery charge dynamics model

No dynamics (default) | One time-constant dynamics | Two time-constant dynamics | Three time-constant dynamics | Four time-constant dynamics | Five time-constant dynamics

Select how to model battery charge dynamics. This parameter determines the number of parallel RC sections in the equivalent circuit:

- **No dynamics** — The equivalent circuit contains no parallel RC sections. There is no delay between terminal voltage and internal charging voltage of the battery.
- **One time-constant dynamics** — The equivalent circuit contains one parallel RC section. Specify the time constant using the **First time constant, $\tau_1(\text{SOC}, T)$** parameter if tabulating parameters over temperature or **First time constant, $\tau_1(\text{SOC})$** otherwise.
- **Two time-constant dynamics** — The equivalent circuit contains two parallel RC sections. Specify the time constants using the **First time constant, $\tau_1(\text{SOC}, T)$** and **Second time constant, $\tau_2(\text{SOC}, T)$** parameters if tabulating parameters over temperature or **First time constant, $\tau_1(\text{SOC})$** and **Second time constant, $\tau_2(\text{SOC})$** otherwise.
- **Three time-constant dynamics** — The equivalent circuit contains three parallel RC sections. Specify the time constants using the **First time constant, $\tau_1(\text{SOC}, T)$** , **Second time constant, $\tau_2(\text{SOC}, T)$** , and **Third time constant, $\tau_3(\text{SOC}, T)$** parameters if tabulating parameters over temperature or **First time constant, $\tau_1(\text{SOC})$** , **Second time constant, $\tau_2(\text{SOC})$** , and **Third time constant, $\tau_3(\text{SOC})$** otherwise.
- **Four time-constant dynamics** — The equivalent circuit contains four parallel RC sections. Specify the time constants using the **First time constant, $\tau_1(\text{SOC}, T)$** , **Second time constant, $\tau_2(\text{SOC}, T)$** , **Third time constant, $\tau_3(\text{SOC}, T)$** , and **Fourth time constant, $\tau_4(\text{SOC}, T)$** parameters if tabulating parameters over temperature or **First time constant, $\tau_1(\text{SOC})$** , **Second time constant, $\tau_2(\text{SOC})$** , **Third time constant, $\tau_3(\text{SOC})$** , and **Fourth time constant, $\tau_4(\text{SOC})$** otherwise.
- **Five time-constant dynamics** — The equivalent circuit contains five parallel RC sections. Specify the time constants using the **First time constant, $\tau_1(\text{SOC}, T)$** , **Second time constant, $\tau_2(\text{SOC}, T)$** , **Third time constant, $\tau_3(\text{SOC}, T)$** , **Fourth time constant, $\tau_4(\text{SOC}, T)$** , and **Fifth time constant, $\tau_5(\text{SOC}, T)$** parameters if tabulating parameters over temperature or **First time constant, $\tau_1(\text{SOC})$** , **Second time constant, $\tau_2(\text{SOC})$** , **Third time constant, $\tau_3(\text{SOC})$** , **Fourth time constant, $\tau_4(\text{SOC})$** , and **Fifth time constant, $\tau_5(\text{SOC})$** otherwise.

First polarization resistance, $R_1(\text{SOC}, T)$ — First RC resistance at temperature breakpoints

[.089, .076, .01; .042, .022, .099; .019, .007, .002; .051, .043, .029] Ohm (default) | matrix of positive numbers

Lookup data for the first parallel RC resistance at the specified SOC and temperature breakpoints. This parameter primarily affects the ohmic losses of the RC section.

Dependencies

To enable this parameter, set **Charge dynamics** to One time-constant dynamics, Two time-constant dynamics, Three time-constant dynamics, Four time-constant dynamics, or Five time-constant dynamics and **Temperature dependent tables** to Yes - tabulate parameters over temperature.

First polarization resistance, R1(SOC) – First RC resistance

[.076, .022, .007, .043] Ohm (default) | matrix of positive numbers

Lookup data for the first parallel RC resistance at the specified SOC. This parameter primarily affects the ohmic losses of the RC section.

Dependencies

To enable this parameter, set **Charge dynamics** to One time-constant dynamics, Two time-constant dynamics, Three time-constant dynamics, Four time-constant dynamics, or Five time-constant dynamics and **Temperature dependent tables** to No - do not tabulate parameters over temperature.

First time constant, tau1(SOC,T) – First RC time constant at temperature breakpoints

[44, 148, 235; 93, 110, 1000; 19, 27, 133; .5, 22, 3] s (default) | matrix of positive numbers

Lookup data for the first parallel RC time constant at the specified SOC and temperature breakpoints.

Dependencies

To enable this parameter, set **Charge dynamics** to One time-constant dynamics, Two time-constant dynamics, Three time-constant dynamics, Four time-constant dynamics, or Five time-constant dynamics and **Temperature dependent tables** to Yes - tabulate parameters over temperature.

First time constant, tau1(SOC) – First RC time constant

[148, 110, 27, 22] s (default) | matrix of positive numbers

Lookup data for the first parallel RC time constant at the specified SOC.

Dependencies

To enable this parameter, set **Charge dynamics** to One time-constant dynamics, Two time-constant dynamics, Three time-constant dynamics, Four time-constant dynamics, or Five time-constant dynamics and **Temperature dependent tables** to No - do not tabulate parameters over temperature.

Second polarization resistance, R2(SOC,T) – Second RC resistance at temperature breakpoints

[.014, .382, .407; .028, .006, .007; .014, .007, .006; .333, .956, .912] Ohm (default) | matrix of positive numbers

Lookup data for the second parallel RC resistance at the specified SOC and temperature breakpoints. This parameter primarily affects the ohmic losses of the RC section.

Dependencies

To enable this parameter, set **Charge dynamics** to Two time-constant dynamics, Three time-constant dynamics, Four time-constant dynamics, or Five time-constant dynamics and **Temperature dependent tables** to Yes - tabulate parameters over temperature.

Second polarization resistance, R2(SOC) – Second RC resistance

[.382, .006, .007, .956] Ohm (default) | matrix of positive numbers

Lookup data for the second parallel RC resistance at the specified SOC. This parameter primarily affects the ohmic losses of the RC section.

Dependencies

To enable this parameter, set **Charge dynamics** to Two time-constant dynamics, Three time-constant dynamics, Four time-constant dynamics, or Five time-constant dynamics and **Temperature dependent tables** to No - do not tabulate parameters over temperature.

Second time constant, tau2(SOC,T) – Second RC time constant at temperature breakpoints

[1, 44, 5644; 11, 24, 506; 2, 14, 330; 3310, 13419, 30216] s (default) | matrix of positive numbers

Lookup data for the second parallel RC time constant at the specified SOC and temperature breakpoints.

Dependencies

To enable this parameter, set **Charge dynamics** to Two time-constant dynamics, Three time-constant dynamics, Four time-constant dynamics, or Five time-constant dynamics and **Temperature dependent tables** to Yes - tabulate parameters over temperature.

Second time constant, tau2(SOC) – Second RC time constant

[44, 24, 14, 13419] s (default) | matrix of positive numbers

Lookup data for the second parallel RC time constant at the specified SOC.

Dependencies

To enable this parameter, set **Charge dynamics** to Two time-constant dynamics, Three time-constant dynamics, Four time-constant dynamics, or Five time-constant dynamics and **Temperature dependent tables** to No - do not tabulate parameters over temperature.

Third polarization resistance, R3(SOC,T) – Third RC resistance at temperature breakpoints

[.014, .382, .407; .028, .006, .007; .014, .007, .006; .333, .956, .912] Ohm (default) | matrix of positive numbers

Lookup data for the third parallel RC resistance at the specified SOC and temperature breakpoints. This parameter primarily affects the ohmic losses of the RC section and **Temperature dependent tables** to Yes - tabulate parameters over temperature.

Dependencies

To enable this parameter, set **Charge dynamics** to Three time-constant dynamics, Four time-constant dynamics, or Five time-constant dynamics.

Third polarization resistance, R3(SOC) – Third RC resistance

[.382, .006, .007, .956] Ohm (default) | matrix of positive numbers

Lookup data for the third parallel RC resistance at the specified SOC. This parameter primarily affects the ohmic losses of the RC section.

Dependencies

To enable this parameter, set **Charge dynamics** to Three time-constant dynamics, Four time-constant dynamics, or Five time-constant dynamics and **Temperature dependent tables** to No - do not tabulate parameters over temperature.

Third time constant, tau3(SOC,T) – Third RC time constant at temperature breakpoints

[1, 44, 5644; 11, 24, 506; 2, 14, 330; 3310, 13419, 30216] s (default) | matrix of positive numbers

Lookup data for the third parallel RC time constant at the specified SOC and temperature breakpoints.

Dependencies

To enable this parameter, set **Charge dynamics** to Three time-constant dynamics, Four time-constant dynamics, or Five time-constant dynamics and **Temperature dependent tables** to Yes - tabulate parameters over temperature.

Third time constant, tau3(SOC) – Third RC time constant

[44, 24, 14, 13419] s (default) | matrix of positive numbers

Lookup data for the third parallel RC time constant at the specified SOC.

Dependencies

To enable this parameter, set **Charge dynamics** to Three time-constant dynamics, Four time-constant dynamics, or Five time-constant dynamics and **Temperature dependent tables** to No - do not tabulate parameters over temperature.

Fourth polarization resistance, R4(SOC,T) – Fourth RC resistance at temperature breakpoints

[.014, .382, .407; .028, .006, .007; .014, .007, .006; .333, .956, .912] Ohm (default) | matrix of positive numbers

Lookup data for the fourth parallel RC resistance at the specified SOC and temperature breakpoints. This parameter primarily affects the ohmic losses of the RC section.

Dependencies

To enable this parameter, set **Charge dynamics** to Four time-constant dynamics or Five time-constant dynamics and **Temperature dependent tables** to Yes - tabulate parameters over temperature.

Fourth polarization resistance, R4(SOC) – Fourth RC resistance

[.382, .006, .007, .956] Ohm (default) | matrix of positive numbers

Lookup data for the fourth parallel RC resistance at the specified SOC. This parameter primarily affects the ohmic losses of the RC section.

Dependencies

To enable this parameter, set **Charge dynamics** to Four time-constant dynamics or Five time-constant dynamics and **Temperature dependent tables** to No - do not tabulate parameters over temperature.

Fourth time constant, tau4(SOC,T) – Fourth RC time constant at temperature breakpoints

[1, 44, 5644; 11, 24, 506; 2, 14, 330; 3310, 13419, 30216] s (default) | matrix of positive numbers

Lookup data for the fourth parallel RC time constant at the specified SOC and temperature breakpoints.

Dependencies

To enable this parameter, set **Charge dynamics** to Four time-constant dynamics or Five time-constant dynamics and **Temperature dependent tables** to Yes - tabulate parameters over temperature.

Fourth time constant, tau4(SOC) – Fourth RC time constant

[44, 24, 14, 13419] s (default) | matrix of positive numbers

Lookup data for the fourth parallel RC time constant at the specified SOC.

Dependencies

To enable this parameter, set **Charge dynamics** to Four time-constant dynamics or Five time-constant dynamics and **Temperature dependent tables** to No - do not tabulate parameters over temperature.

Fifth polarization resistance, R5(SOC,T) – Fifth RC resistance at temperature breakpoints

[.014, .382, .407; .028, .006, .007; .014, .007, .006; .333, .956, .912] Ohm (default) | matrix of positive numbers

Lookup data for the fifth parallel RC resistance at the specified SOC and temperature breakpoints. This parameter primarily affects the ohmic losses of the RC section.

Dependencies

To enable this parameter, set **Charge dynamics** to Five time-constant dynamics and **Temperature dependent tables** to Yes - tabulate parameters over temperature.

Fifth polarization resistance, R5(SOC) – Fifth RC resistance

[.382, .006, .007, .956] Ohm (default) | matrix of positive numbers

Lookup data for the fifth parallel RC resistance at the specified SOC. This parameter primarily affects the ohmic losses of the RC section.

Dependencies

To enable this parameter, set **Charge dynamics** to Five time-constant dynamics and **Temperature dependent tables** to No - do not tabulate parameters over temperature.

Fifth time constant, tau5(SOC,T) – Fifth RC time constant at temperature breakpoints

[1, 44, 5644; 11, 24, 506; 2, 14, 330; 3310, 13419, 30216] s (default) | matrix of positive numbers

Lookup data for the fifth parallel RC time constant at the specified SOC and temperature breakpoints.

Dependencies

To enable this parameter, set **Charge dynamics** to Five time-constant dynamics and **Temperature dependent tables** to Yes - tabulate parameters over temperature.

Fifth time constant, tau5(SOC) – Fifth RC time constant

[44, 24, 14, 13419] s (default) | matrix of positive numbers

Lookup data for the fifth parallel RC time constant at the specified SOC.

Dependencies

To enable this parameter, set **Charge dynamics** to Five time-constant dynamics and **Temperature dependent tables** to No - do not tabulate parameters over temperature.

Fade**Fade characteristics defined by – Select how to define fade characteristics**

Equations (default) | Lookup tables (temperature independent) | Lookup tables (temperature dependent)

Select how to define fade characteristics:

- Equations — The ampere-hour rating and terminal resistance will be proportional to \sqrt{N} whilst the open-circuit voltage will be proportional to N . If the self-discharge resistance or any number of the time constants are enabled, their values will be proportional to \sqrt{N} .
- Lookup tables (temperature independent) — Set tabulated data for the percentage change in parameters as a function of N .
- Lookup tables (temperature dependent) — Set tabulated data for the percentage change in parameters as a function of N and temperature.

Number of discharge cycles, N – Reference number of cycles for percent change calculations

100 (default) | number from 1 to Inf

The number of charge-discharge cycles over which the specified percent changes occur.

Dependencies

To enable this parameter, set **Fade characteristics defined by** to Equations.

Change in no-load voltage after N discharge cycles (%) – Percent change in no-load voltage after N cycles

0 (default) | scalar

Percent change in the no-load voltage after the battery undergoes N discharge cycles.

Dependencies

To enable this parameter, set **Fade characteristics defined by** to Equations.

Change in terminal resistance after N discharge cycles (%) – Percent change in series resistance after N cycles

0 (default) | scalar

Percent change in the series resistance after the battery undergoes N discharge cycles.

Dependencies

To enable this parameter, set **Fade characteristics defined by** to Equations.

Change in ampere-hour rating after N discharge cycles (%) – Percent change in ampere-hour rating after N cycles

0 (default) | scalar

Percent change in the ampere-hour rating after the battery undergoes N discharge cycles.

Dependencies

To enable this parameter, set **Fade characteristics defined by** to Equations.

Change in self-discharge resistance after N discharge cycles (%) – Percent change in self-discharge resistance after N cycles

0 (default) | scalar

Percent change in the self-discharge resistance after the battery undergoes N discharge cycles.

Dependencies

To enable this parameter, set **Self-discharge** to Enabled and **Fade characteristics defined by** to Equations.

Change in first polarization resistance after N discharge cycles (%) – Percent change in first RC resistance after N cycles

0 (default) | scalar

Percent change in the first RC resistance after the battery undergoes N discharge cycles.

Dependencies

To enable this parameter, set **Charge dynamics** to One time-constant dynamics, Two time-constant dynamics, Three time-constant dynamics, Four time-constant dynamics, or Five time-constant dynamics and **Fade characteristics defined by** to Equations.

Change in second polarization resistance after N discharge cycles (%) – Percent change in second RC resistance after N cycles

0 (default) | scalar

Percent change in the second RC resistance after the battery undergoes N discharge cycles.

Dependencies

To enable this parameter, set **Charge dynamics** to Two time-constant dynamics, Three time-constant dynamics, Four time-constant dynamics, or Five time-constant dynamics and **Fade characteristics defined by** to Equations.

Change in third polarization resistance after N discharge cycles (%) – Percent change in third RC resistance after N cycles

0 (default) | scalar

Percent change in the third RC resistance after the battery undergoes N discharge cycles.

Dependencies

To enable this parameter, set **Charge dynamics** to Three time-constant dynamics, Four time-constant dynamics, or Five time-constant dynamics and **Fade characteristics defined by** to Equations.

Change in fourth polarization resistance after N discharge cycles (%) – Percent change in fourth RC resistance after N cycles

0 (default) | scalar

Percent change in the fourth RC resistance after the battery undergoes N discharge cycles.

Dependencies

To enable this parameter, set **Charge dynamics** to Four time-constant dynamics, or Five time-constant dynamics and **Fade characteristics defined by** to Equations.

Change in fifth polarization resistance after N discharge cycles (%) – Percent change in fifth RC resistance after N cycles

0 (default) | scalar

Percent change in the fifth RC resistance after the battery undergoes N discharge cycles.

Dependencies

To enable this parameter, set **Charge dynamics** to Five time-constant dynamics and **Fade characteristics defined by** to Equations.

Vector of discharge cycle values, N – Reference vector or numbers of cycles for percent change calculations

[100, 200, 300] (default) | number from 1 to Inf

Vector of numbers of charge-discharge cycles over which the specified percent changes occur.

Dependencies

To enable this parameter, set **Fade characteristics defined by** to Lookup tables (temperature independent) or Lookuptables (temperature dependent).

Vector of temperatures for fade data, Tfade – Vector temperatures at which fade lookup tables has been extracted

[298.15, 323.15] K (default) | number from 1 to Inf

Vector of temperatures at which fade lookup tables has been extracted. These temperatures are completely independent of **Vectors of temperatures, T** parameter from the **Main** tab.

Dependencies

To enable this parameter, set **Fade characteristics defined by** to Lookup tables (temperature dependent).

Percentage change in no-load voltage, dV0(N) – Vector of percent change in no-load voltage after N cycles

[0, 0, 0] (default) | vector of scalars

Vector of percent changes in the no-load voltage after the battery undergoes N discharge cycles.

Dependencies

To enable this parameter, set **Fade characteristics defined by** to Lookup tables (temperature independent).

Percentage change in terminal resistance, $dR0(N)$ – Vector of percent change in series resistance after N cycles

[0, 0, 0] (default) | vector of scalars

Vector of percent change in the series resistance after the battery undergoes N discharge cycles.

Dependencies

To enable this parameter, set **Fade characteristics defined by** to Lookup tables (temperature independent).

Percentage change in ampere-hour rating, $dAH(N)$ – Vector of percent change in ampere-hour rating after N cycles

[0, 0, 0] (default) | vector of scalars

Vector of percent change in the ampere-hour rating after the battery undergoes N discharge cycles.

Dependencies

To enable this parameter, set **Fade characteristics defined by** to Lookup tables (temperature independent).

Percentage change in self-discharge resistance, $dRleak(N)$ – Vector of percent change in self-discharge resistance after N cycles

[0, 0, 0] (default) | vector of scalars

Vector of percent change in the self-discharge resistance after the battery undergoes N discharge cycles.

Dependencies

To enable this parameter, set **Self-discharge** to Enabled and **Fade characteristics defined by** to Lookup tables (temperature independent).

Percentage change in first polarization resistance, $dR1(N)$ – Vector of percent change in first RC resistance after N cycles

[0, 0, 0] (default) | vector of scalars

Vector of percent change in the first RC resistance after the battery undergoes N discharge cycles.

Dependencies

To enable this parameter, set **Charge dynamics** to One time-constant dynamics, Two time-constant dynamics, Three time-constant dynamics, Four time-constant dynamics, or Five time-constant dynamics and **Fade characteristics defined by** to Lookup tables (temperature independent).

Percent change in second polarization resistance, $dR2(N)$ – Vector of percent change in second RC resistance after N cycles

[0, 0, 0] (default) | vector of scalars

Vector of percent change in the second RC resistance after the battery undergoes N discharge cycles.

Dependencies

To enable this parameter, set **Charge dynamics** to Two time-constant dynamics, Three time-constant dynamics, Four time-constant dynamics, or Five time-constant dynamics and **Fade characteristics defined by** to Lookup tables (temperature independent).

Percent change in third polarization resistance, $dR3(N)$ — Vector of percent change in third RC resistance after N cycles

[0, 0, 0] (default) | vector of scalars

Vector of percent change in the third RC resistance after the battery undergoes N discharge cycles.

Dependencies

To enable this parameter, set **Charge dynamics** to Three time-constant dynamics, Four time-constant dynamics, or Five time-constant dynamics and **Fade characteristics defined by** to Lookup tables (temperature independent).

Percent change in fourth polarization resistance, $dR4(N)$ — Vector of percent change in fourth RC resistance after N cycles

[0, 0, 0] (default) | vector of scalars

Vector of percent change in the fourth RC resistance after the battery undergoes N discharge cycles.

Dependencies

To enable this parameter, set **Charge dynamics** to Four time-constant dynamics, or Five time-constant dynamics and **Fade characteristics defined by** to Lookup tables (temperature independent).

Percent change in fifth polarization resistance, $dR5(N)$ — Vector of percent change in fifth RC resistance after N cycles

[0, 0, 0] (default) | vector of scalars

Vector of percent change in the fifth RC resistance after the battery undergoes N discharge cycles.

Dependencies

To enable this parameter, set **Charge dynamics** to Five time-constant dynamics and **Fade characteristics defined by** to Lookup tables (temperature independent).

Percentage change in no-load voltage, $dV0(N, T_{fade})$ — Matrix of percent change in no-load voltage after N cycles

[0, 0; 0, 0; 0, 0] (default) | matrix of scalars

Matrix of percent changes in the no-load voltage after the battery undergoes N discharge cycles.

Dependencies

To enable this parameter, set **Fade characteristics defined by** to Lookup tables (temperature dependent).

Percentage change in terminal resistance, $dR0(N, T_{fade})$ — Matrix of percent change in series resistance after N cycles

[0, 0; 0, 0; 0, 0] (default) | matrix of scalars

Matrix of percent change in the series resistance after the battery undergoes N discharge cycles.

Dependencies

To enable this parameter, set **Fade characteristics defined by** to Lookup tables (temperature dependent).

Percentage change in ampere-hour rating, $dAH(N, T_{fade})$ — Matrix of percent change in ampere-hour rating after N cycles

[0, 0; 0, 0; 0, 0] (default) | matrix of scalars

Matrix of percent change in the ampere-hour rating after the battery undergoes N discharge cycles.

Dependencies

To enable this parameter, set **Fade characteristics defined by** to Lookup tables (temperature dependent).

Percentage change in self-discharge resistance, $dR_{leak}(N, T_{fade})$ — Matrix of percent change in self-discharge resistance after N cycles

[0, 0; 0, 0; 0, 0] (default) | matrix of scalars

Matrix of percent change in the self-discharge resistance after the battery undergoes N discharge cycles.

Dependencies

To enable this parameter, set **Self-discharge** to Enabled and **Fade characteristics defined by** to Lookup tables (temperature dependent).

Percentage change in first polarization resistance, $dR1(N, T_{fade})$ — Matrix of percent change in first RC resistance after N cycles

[0, 0; 0, 0; 0, 0] (default) | matrix of scalars

Matrix of percent change in the first RC resistance after the battery undergoes N discharge cycles.

Dependencies

To enable this parameter, set **Charge dynamics** to One time-constant dynamics, Two time-constant dynamics, Three time-constant dynamics, Four time-constant dynamics, or Five time-constant dynamics and **Fade characteristics defined by** to Lookup tables (temperature dependent).

Percent change in second polarization resistance, $dR2(N, T_{fade})$ — Matrix of percent change in second RC resistance after N cycles

[0, 0; 0, 0; 0, 0] (default) | matrix of scalars

Matrix of percent change in the second RC resistance after the battery undergoes N discharge cycles.

Dependencies

To enable this parameter, set **Charge dynamics** to Two time-constant dynamics, Three time-constant dynamics, Four time-constant dynamics, or Five time-constant dynamics and **Fade characteristics defined by** to Lookup tables (temperature dependent).

Percent change in third polarization resistance, $dR3(N, T_{fade})$ — Matrix of percent change in third RC resistance after N cycles

[0, 0; 0, 0; 0, 0] (default) | matrix of scalars

Matrix of percent change in the third RC resistance after the battery undergoes N discharge cycles.

Dependencies

To enable this parameter, set **Charge dynamics** to Three time-constant dynamics, Four time-constant dynamics, or Five time-constant dynamics and **Fade characteristics defined by** to Lookup tables (temperature dependent).

Percent change in fourth polarization resistance, $dR4(N, T_{fade})$ — Matrix of percent change in fourth RC resistance after N cycles

[0, 0; 0, 0; 0, 0] (default) | matrix of scalars

Matrix of percent change in the fourth RC resistance after the battery undergoes N discharge cycles.

Dependencies

To enable this parameter, set **Charge dynamics** to Four time-constant dynamics, or Five time-constant dynamics and **Fade characteristics defined by** to Lookup tables (temperature dependent).

Percent change in fifth polarization resistance, $dR5(N, T_{fade})$ — Matrix of percent change in fifth RC resistance after N cycles

[0, 0; 0, 0; 0, 0] (default) | matrix of scalars

Matrix of percent change in the fifth RC resistance after the battery undergoes N discharge cycles.

Dependencies

To enable this parameter, set **Charge dynamics** to Five time-constant dynamics and **Fade characteristics defined by** to Lookup tables (temperature dependent).

Thermal

Simulation temperature — Battery temperature

298.15 K (default) | positive number

Battery temperature used in lookup tables throughout simulation.

Dependencies

This section appears only for blocks without an exposed thermal port and when the **Temperature dependent tables** parameter is set to Yes - tabulate parameters over temperature or **Fade characteristics defined by** is set to Lookup tables (temperature dependent). For more information, see “Modeling Thermal Effects” on page 1-41.

Thermal mass — Thermal mass associated with the thermal port

30000 J/K (default)

Thermal mass associated with the thermal port H. It represents the energy required to raise the temperature of the thermal port by one degree.

Dependencies

Enabled for blocks with an exposed thermal port. For more information, see “Modeling Thermal Effects” on page 1-41.

Extended Capabilities

C/C++ Code Generation

Generate C and C++ code using Simulink® Coder™.

See Also

Battery

Introduced in R2018a

Bidirectional DC-DC Converter

Controller-driven bidirectional DC-DC step-up and step-down voltage regulator

Library: Simscape / Electrical / Semiconductors & Converters / Converters



Description

The Bidirectional DC-DC Converter block represents a converter that steps up or steps down DC voltage from either side of the converter to the other as driven by an attached controller and gate-signal generator. Bidirectional DC-DC converters are useful for switching between energy storage and use, for example, in electric vehicles.

The Bidirectional DC-DC Converter block allows you to model a nonisolated converter with two switching devices or an isolated converter with six switching devices. Options for the type of switching devices are:

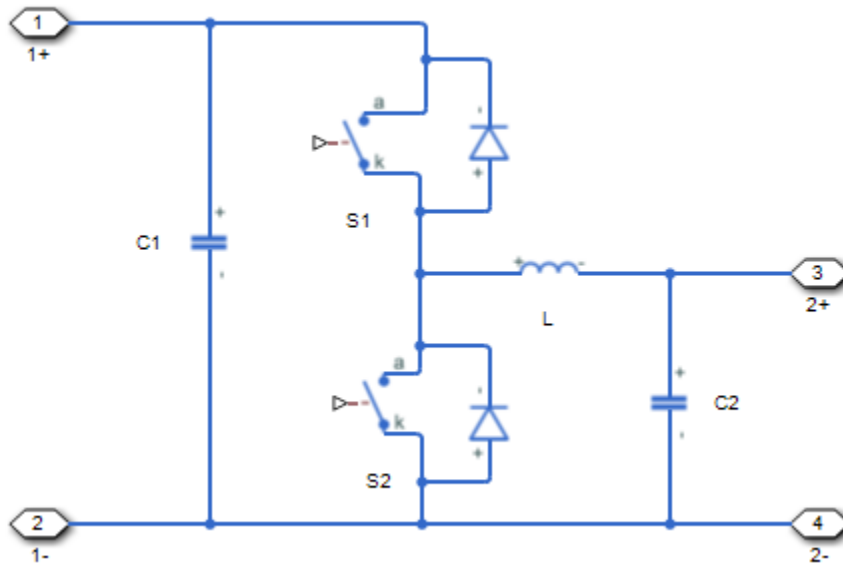
- GTO — Gate turn-off thyristor. For information about the I-V characteristic of the device, see GTO.
- Ideal semiconductor switch — For information about the I-V characteristic of the device, see Ideal Semiconductor Switch.
- IGBT — Insulated-gate bipolar transistor. For information about the I-V characteristic of the device, see IGBT (Ideal, Switching).
- MOSFET — N-channel metal-oxide-semiconductor field-effect transistor. For information about the I-V characteristic of the device, see MOSFET (Ideal, Switching).
- Thyristor — For information about the I-V characteristic of the device, see Thyristor (Piecewise Linear).
- Averaged Switch.

Model

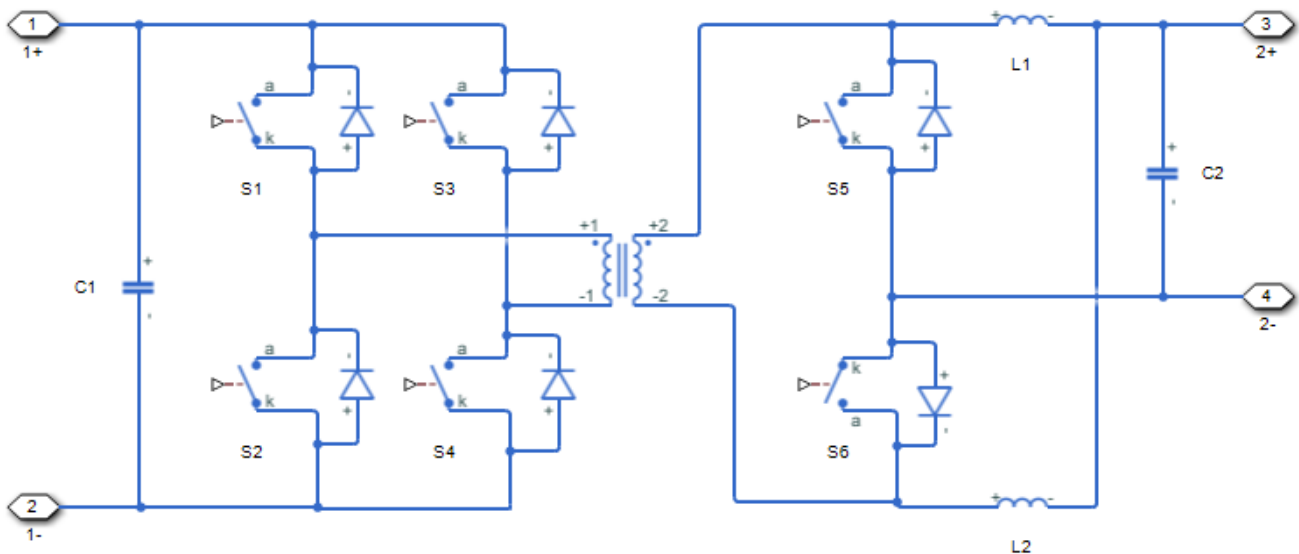
There are two model variants for the block. To access the model variants, in the model window, right-click the block. From the context menu, select **Simscape > Block choices**.

The model variants are:

- Nonisolated converter — Bidirectional DC-DC converter without an electrical barrier. This model variant contains an inductor, two capacitors, and two switches that are of the same device type. This block choice is the default.



- Isolated converter — Bidirectional DC-DC converter with an electrical barrier. This model variant contains four additional switches that form a full bridge. The full bridge is on the input or high-voltage (HV) side of the converter. The other two switches are on the output or low-voltage (LV) side of the converter. You can select different semiconductor types for the HV and LV switching devices. For example, you can use a GTO for the HV switching devices and an IGBT for the LV switching devices. To provide separation between the input and output voltages, the model uses a high-frequency transformer.



Protection

The block contains an integral protection diode for each switching device. The integral diode protects the semiconductor device by providing a conduction path for reverse current. An inductive load can

produce a high reverse-voltage spike when the semiconductor device suddenly switches off the voltage supply to the load.

To configure the internal protection diode block, use the **Protection Diode** parameters. This table shows how to set the **Model dynamics** parameter based on your goals.

Goals	Value to Select	Integral Protection Diode
Prioritize simulation speed.	Diode with no dynamics	The Diode block
Prioritize model fidelity by precisely specifying reverse-mode charge dynamics.	Diode with charge dynamics	The dynamic model of the Diode block

You can also include a snubber circuit for each switching device. Snubber circuits contain a series-connected resistor and capacitor. They protect switching devices against high voltages that inductive loads produce when the device turns off the voltage supply to the load. Snubber circuits also prevent excessive rates of current change when a switching device turns on.

To include and configure a snubber circuit for each switching device, use the **Snubbers** parameters.

Gate Control

To connect Simulink® gate-control voltage signals to the gate ports of the switching devices:

- 1 Convert each voltage signal using a Simulink-PS Converter block.
- 2 Multiplex the converted gate signals into a single vector. For a nonisolated converter model, use a Two-Pulse Gate Multiplexer block. For an isolated converter model, use a Six-Pulse Gate Multiplexer block.
- 3 Connect the vector signal to the **G** port.

Assumptions

A source impedance or a nonzero equivalent-series resistance (ESR) is connected to the left side of the Bidirectional DC-DC Converter block.

Variables

Use the **Variables** settings to specify the priority and initial target values for the block variables before simulation. For more information, see “Set Priority and Initial Target for Block Variables”.

Ports

Conserving

G — Switching device gate control

electrical | vector

Electrical conserving port associated with the gate terminals of the switching devices.

Data Types: double

1+ — Positive DC voltage 1

electrical | scalar

Electrical conserving port associated with the positive terminal of the first DC voltage.

Data Types: double

1- – Negative DC voltage 1

electrical | scalar

Electrical conserving port associated with the negative terminal of the first DC voltage.

Data Types: double

2+ – Positive DC voltage 2

electrical | scalar

Electrical conserving port associated with the positive terminal of the second DC voltage.

Data Types: double

2- – Negative DC voltage 2

electrical | scalar

Electrical conserving port associated with the negative terminal of the second DC voltage.

Data Types: double

Parameters

Switching Devices

These tables show how the visibility of **Switching Devices** parameters depends on the converter model and switching devices that you select. To learn how to read the table, see “Parameter Dependencies” on page A-2.

Nonisolated Converter Switching Devices Parameter Dependencies

Parameters and Options					
Switching device					
<i>Ideal Semiconductor Switch</i>	<i>GTO</i>	<i>IGBT</i>	<i>MOSFET</i>	<i>Thyristor</i>	<i>Averaged Switch</i>
On-state resistance	Forward voltage	Forward voltage	Drain-source on resistance	Forward voltage	On-state resistance
Off-state conductance	On-state resistance	On-state resistance	Off-state conductance	On-state resistance	
Threshold voltage	Off-state conductance	Off-state conductance	Threshold voltage	Off-state conductance	
	Gate trigger voltage, Vgt	Threshold voltage		Gate trigger voltage, Vgt	
	Gate turn-off voltage, Vgt_off			Gate turn-off voltage, Vgt_off	
	Holding current			Holding current	

Isolated Converter Switching Devices Parameter Dependencies

Parameters and Options					
Switching device HV					
<i>Ideal Semiconductor Switch</i>	<i>GTO</i>	<i>IGBT</i>	<i>MOSFET</i>	<i>Thyristor</i>	<i>Averaged Switch</i>
On-state resistance HV	Forward voltage HV	Forward voltage HV	Drain-source on resistance HV	Forward voltage HV	On-state resistance HV
Off-state conductance HV	On-state resistance HV	On-state resistance HV	Off-state conductance HV	On-state resistance HV	
Threshold voltage HV	Off-state conductance HV	Off-state conductance HV	Threshold voltage HV	Off-state conductance HV	
	Gate trigger voltage HV, Vgt_hv	Threshold voltage HV		Gate trigger voltage HV, Vgt_hv	
	Gate turn-off voltage HV, Vgt_off_hv			Gate turn-off voltage HV, Vgt_off_hv	
	Holding current HV			Holding current HV	
Switching device LV					
<i>Ideal Semiconductor Switch</i>	<i>GTO</i>	<i>IGBT</i>	<i>MOSFET</i>	<i>Thyristor</i>	<i>Averaged Switch</i>
On-state resistance LV	Forward voltage LV	Forward voltage LV	Drain-source on resistance LV	Forward voltage LV	On-state resistance LV
Off-state conductance LV	On-state resistance LV	On-state resistance LV	Off-state conductance LV	On-state resistance LV	
Threshold voltage LV	Off-state conductance LV	Off-state conductance LV	Threshold voltage LV	Off-state conductance LV	
	Gate trigger voltage LV, Vgt	Threshold voltage LV		Gate trigger voltage LV, Vgt	
	Gate turn-off voltage LV, Vgt_off_lv			Gate turn-off voltage LV, Vgt_off_lv	
	Holding current LV			Holding current LV	

Switching device – Switch type

Ideal Semiconductor Switch (default) | *GTO* | *IGBT* | *MOSFET* | *Thyristor* | *Averaged Switch*

Switching device type for the nonisolated converter model.

Dependencies

See the Nonisolated Converter Switching Devices Parameter Dependencies table.

Forward voltage — Voltage

0.8 V (default) | scalar

For the different switching device types, the **Forward voltage** is taken as:

- GTO — Minimum voltage required across the anode and cathode block ports for the gradient of the device I-V characteristic to be $1/R_{on}$, where R_{on} is the value of **On-state resistance**
- IGBT — Minimum voltage required across the collector and emitter block ports for the gradient of the diode i-v characteristic to be $1/R_{on}$, where R_{on} is the value of **On-state resistance**
- Thyristor — Minimum voltage required for the device to turn on

Dependencies

See the Nonisolated Converter Switching Devices Parameter Dependencies table.

On-state resistance — Resistance

0.001 Ohm (default) | scalar

For the different switching device types, the **On-state resistance** is taken as:

- GTO — Rate of change of voltage versus current above the forward voltage
- Ideal semiconductor switch — Anode-cathode resistance when the device is on
- IGBT — Collector-emitter resistance when the device is on
- Thyristor — Anode-cathode resistance when the device is on
- Averaged switch — Anode-cathode resistance when the device is on

Dependencies

See the Nonisolated Converter Switching Devices Parameter Dependencies table.

Drain-source on resistance — Resistance

0.001 Ohm (default) | scalar

Resistance between the drain and the source, which also depends on the gate-to-source voltage.

Dependencies

See the Nonisolated Converter Switching Devices Parameter Dependencies table.

Off-state conductance — Conductance

1e-5 1/Ohm (default) | scalar

Conductance when the device is off. The value must be less than $1/R$, where R is the value of **On-state resistance**.

For the different switching device types, the **On-state resistance** is taken as:

- GTO — Anode-cathode conductance
- Ideal semiconductor switch — Anode-cathode conductance

- IGBT — Collector-emitter conductance
- MOSFET — Drain-source conductance
- Thyristor — Anode-cathode conductance

Dependencies

See the Nonisolated Converter Switching Devices Parameter Dependencies table.

Threshold voltage — Voltage threshold

6 V (default) | scalar

Gate voltage threshold. The device turns on when the gate voltage is above this value. For the different switching device types, the device voltage of interest is:

- Ideal semiconductor switch — Gate-emitter voltage
- IGBT — Gate-cathode voltage
- MOSFET — Gate-source voltage

Dependencies

See the Nonisolated Converter Switching Devices Parameter Dependencies table.

Gate trigger voltage, Vgt — Voltage threshold

1 V (default) | scalar

Gate-cathode voltage threshold. The device turns on when the gate-cathode voltage is above this value.

Dependencies

See the Nonisolated Converter Switching Devices Parameter Dependencies table.

Gate turn-off voltage, Vgt_off — Voltage threshold

-1 V (default) | scalar

Gate-cathode voltage threshold. The device turns off when the gate-cathode voltage is below this value.

Dependencies

See the Nonisolated Converter Switching Devices Parameter Dependencies table.

Holding current — Current threshold

1 A (default) | scalar

Gate current threshold. The device stays on when the current is above this value, even when the gate-cathode voltage falls below the gate trigger voltage.

Dependencies

See the Nonisolated Converter Switching Devices Parameter Dependencies table.

Switching device HV — Switch

Ideal Semiconductor Switch (default) | GTO | IGBT | MOSFET | Thyristor

Switching device type for the high-voltage side of the isolated converter model.

Dependencies

See the Isolated Converter Switching Devices Parameter Dependencies table.

Forward voltage HV — Voltage

0.8 Ohm (default) | scalar

For the different switching device types, the **Forward voltage HV** is taken as:

- GTO — Minimum voltage required across the anode and cathode block ports for the gradient of the device I-V characteristic to be $1/R_{on}$, where R_{on} is the value of **On-state resistance**
- IGBT — Minimum voltage required across the collector and emitter block ports for the gradient of the diode i-v characteristic to be $1/R_{on}$, where R_{on} is the value of **On-state resistance**
- Thyristor — Minimum voltage required for the device to turn on

Dependencies

See the Isolated Converter Switching Devices Parameter Dependencies table.

Drain-source on resistance HV — Resistance

0.001 Ohm (default) | scalar

Resistance between the drain and the source, which also depends on the gate-to-source voltage.

Dependencies

See the Isolated Converter Switching Devices Parameter Dependencies table.

On-state resistance HV — Resistance

0.001 Ohm (default) | scalar

For the different switching device types, the **On-state resistance HV** is taken as:

- GTO — Rate of change of voltage versus current above the forward voltage
- Ideal semiconductor switch — Anode-cathode resistance when the device is on
- IGBT — Collector-emitter resistance when the device is on
- Thyristor — Anode-cathode resistance when the device is on
- Averaged switch — Anode-cathode resistance when the device is on

Dependencies

See the Isolated Converter Switching Devices Parameter Dependencies table.

Off-state conductance HV — Conductance

1e-5 1/Ohm (default) | scalar

Conductance when the device is off. The value must be less than $1/R$, where R is the value of **On-state resistance HV**.

For the different switching device types, the **On-state resistance HV** is taken as:

- GTO — Anode-cathode conductance
- Ideal semiconductor switch — Anode-cathode conductance

- IGBT — Collector-emitter conductance
- MOSFET — Drain-source conductance
- Thyristor — Anode-cathode conductance

Dependencies

See the Isolated Converter Switching Devices Parameter Dependencies table.

Threshold voltage HV — Voltage threshold

6 V (default) | scalar

Gate voltage threshold. The device turns on when the gate voltage is above this value. For the different switching device types, the device voltage of interest is:

- Ideal semiconductor switch — Gate-emitter voltage
- IGBT — Gate-cathode voltage
- MOSFET — Gate-source voltage

Dependencies

See the Isolated Converter Switching Devices Parameter Dependencies table.

Gate trigger voltage HV, Vgt_hv — Voltage threshold

1 V (default) | scalar

Gate-cathode voltage threshold. The device turns on when the gate-cathode voltage is above this value.

Dependencies

See the Isolated Converter Switching Devices Parameter Dependencies table.

Gate turn-off voltage HV, Vgt_off_hv — Voltage threshold

-1 V (default) | scalar

Gate-cathode voltage threshold. The device turns off when the gate-cathode voltage is below this value.

Dependencies

See the Isolated Converter Switching Devices Parameter Dependencies table.

Holding current HV — Current threshold

1 A (default) | scalar

Gate current threshold. The device stays on when the current is above this value, even when the gate-cathode voltage falls below the gate trigger voltage.

Dependencies

See the Isolated Converter Switching Devices Parameter Dependencies table.

Switching device LV — Switch

Ideal Semiconductor Switch (default) | GTO | IGBT | MOSFET | Thyristor

Switching device type for the low-voltage side of the isolated converter model.

Dependencies

See the Isolated Converter Switching Devices Parameter Dependencies table.

Forward voltage LV — Voltage

0.8 Ohm (default) | scalar

For the different switching device types, the **Forward voltage LV** is taken as:

- GTO — Minimum voltage required across the anode and cathode block ports for the gradient of the device I-V characteristic to be $1/R_{on}$, where R_{on} is the value of **On-state resistance**
- IGBT — Minimum voltage required across the collector and emitter block ports for the gradient of the diode i-v characteristic to be $1/R_{on}$, where R_{on} is the value of **On-state resistance**
- Thyristor — Minimum voltage required for the device to turn on

Dependencies

See the Isolated Converter Switching Devices Parameter Dependencies table.

Drain-source on resistance LV — Resistance

0.001 Ohm (default) | scalar

Resistance between the drain and the source, which also depends on the gate-to-source voltage.

Dependencies

See the Isolated Converter Switching Devices Parameter Dependencies table.

On-state resistance LV — Resistance

0.001 Ohm (default) | scalar

For the different switching device types, the **On-state resistance LV** is taken as:

- GTO — Rate of change of voltage versus current above the forward voltage
- Ideal semiconductor switch — Anode-cathode resistance when the device is on
- IGBT — Collector-emitter resistance when the device is on
- Thyristor — Anode-cathode resistance when the device is on
- Averaged switch — Anode-cathode resistance when the device is on

Dependencies

See the Isolated Converter Switching Devices Parameter Dependencies table.

Off-state conductance LV — Conductance

1e-5 1/Ohm (default) | scalar

Conductance when the device is off. The value must be less than $1/R$, where R is the value of **On-state resistance LV**.

For the different switching device types, the **On-state resistance LV** is taken as:

- GTO — Anode-cathode conductance
- Ideal semiconductor switch — Anode-cathode conductance

- IGBT — Collector-emitter conductance
- MOSFET — Drain-source conductance
- Thyristor — Anode-cathode conductance

Dependencies

See the Isolated Converter Switching Devices Parameter Dependencies table.

Threshold voltage LV — Voltage threshold

6 V (default) | scalar

Gate voltage threshold. The device turns on when the gate voltage is above this value. For the different switching device types, the device voltage of interest is:

- Ideal semiconductor switch — Gate-emitter voltage
- IGBT — Gate-cathode voltage
- MOSFET — Gate-source voltage

Dependencies

See the Isolated Converter Switching Devices Parameter Dependencies table.

Gate trigger voltage LV, Vgt_lv — Voltage threshold

1 V (default) | scalar

Gate-cathode voltage threshold. The device turns on when the gate-cathode voltage is above this value.

Dependencies

See the Isolated Converter Switching Devices Parameter Dependencies table.

Gate turn-off voltage LV, Vgt_off_lv — Voltage threshold

-1 V (default) | scalar

Gate-cathode voltage threshold. The device turns off when the gate-cathode voltage is below this value.

Dependencies

See the Isolated Converter Switching Devices Parameter Dependencies table.

Holding current LV — Current threshold

1 A (default) | scalar

Gate current threshold. The device stays on when the current is above this value, even when the gate-cathode voltage falls below the gate trigger voltage.

Dependencies

See the Isolated Converter Switching Devices Parameter Dependencies table.

Protection Diode

The visibility of **Protection Diode** parameters depends on how you configure the protection diode **Model dynamics** and **Reverse recovery time parameterization** parameters. To learn how to read this table, see “Parameter Dependencies” on page A-2.

Protection Diode Parameter Dependencies

Parameters and Options			
Model dynamics			
<i>Diode with no dynamics</i>	<i>Diode with charge dynamics</i>		
Forward voltage	Forward voltage		
On resistance	On resistance		
Off conductance	Off conductance		
	Junction capacitance		
	Peak reverse current, i_{RM}		
	Initial forward current when measuring i_{RM}		
	Rate of change of current when measuring i_{RM}		
	Reverse recovery time parameterization		
	<i>Specify stretch factor</i>	<i>Specify reverse recovery time directly</i>	<i>Specify reverse recovery charge</i>
	Reverse recovery time stretch factor	Reverse recovery time, t_{rr}	Reverse recovery charge, Q_{rr}

Model dynamics – Diode model

Diode with no dynamics (default) | Diode with charge dynamics

Diode type. The options are:

- **Diode with no dynamics** — Select this option to prioritize simulation speed using the Diode block.
- **Diode with charge dynamics** — Select this option to prioritize model fidelity in terms of reverse mode charge dynamics using the commutation diode model of the Diode block.

Note If you select Averaged Switch for the **Switching Device** parameter in the **Switching Device** setting, this parameter is not visible and **Diode with no dynamics** is automatically selected.

Dependencies

See the Protection Diode Parameter Dependencies table.

Forward voltage – Voltage

0.8 V (default) | scalar

Minimum voltage required across the positive and negative block ports for the gradient of the diode I-V characteristic to be $1/R_{on}$, where R_{on} is the value of **On resistance**.

On resistance – Resistance

0.001 Ohm (default) | scalar

Rate of change of voltage versus current above the **Forward voltage**.

Off conductance – Conductance

1e-5 1/Ohm (default) | scalar

Conductance of the reverse-biased diode.

Junction capacitance – Capacitance

50 nF (default) | scalar

Diode junction capacitance.

Dependencies

See the Protection Diode Parameter Dependencies table.

Peak reverse current, i_{RM} – Current

-235 A (default) | scalar less than 0

Peak reverse current measured by an external test circuit.

Dependencies

See the Protection Diode Parameter Dependencies table.

Initial forward current when measuring i_{RM} – Current

300 A (default) | scalar greater than 0

Initial forward current when measuring peak reverse current. This value must be greater than zero.

Dependencies

See the Protection Diode Parameter Dependencies table.

Rate of change of current when measuring i_{RM} – Current change rate

-50 A/us (default) | scalar

Rate of change of current when measuring peak reverse current.

Dependencies

See the Protection Diode Parameter Dependencies table.

Reverse recovery time parameterization – Recovery-time model

Specify stretch factor (default) | Specify reverse recovery time directly | Specify reverse recovery charge

Model for parameterizing the recovery time. When you select **Specify stretch factor** or **Specify reverse recovery charge**, you can specify a value that the block uses to derive the reverse recovery time. For more information on these options, see “How the Block Calculates T_M and τ ” on page 1-374.

Dependencies

See the Protection Diode Parameter Dependencies table.

Reverse recovery time stretch factor – Stretch factor

3 (default) | scalar greater than 1

Value that the block uses to calculate **Reverse recovery time, trr**. Specifying the stretch factor is an easier way to parameterize the reverse recovery time than specifying the reverse recovery charge. The larger the value of the stretch factor, the longer it takes for the reverse recovery current to dissipate.

Dependencies

See the Protection Diode Parameter Dependencies table.

Reverse recovery time, trr – Time

15 us (default) | scalar

Interval between the time when the current initially goes to zero (when the diode turns off) and the time when the current falls to less than 10 percent of the peak reverse current.

The value of the **Reverse recovery time, trr** parameter must be greater than the value of the **Peak reverse current, iRM** parameter divided by the value of the **Rate of change of current when measuring iRM** parameter.

Dependencies

See the Protection Diode Parameter Dependencies table.

Reverse recovery charge, Qrr – Charge

1500 s*uA (default) | scalar

Value that the block uses to calculate **Reverse recovery time, trr**. Use this parameter if the data sheet for your diode device specifies a value for the reverse recovery charge instead of a value for the reverse recovery time.

The reverse recovery charge is the total charge that continues to dissipate when the diode turns off.

The value must be less than $-\frac{i_{RM}^2}{2a}$,

where:

- i_{RM} is the value specified for **Peak reverse current, iRM**.
- a is the value specified for **Rate of change of current when measuring iRM**.

Dependencies

See the Protection Diode Parameter Dependencies table.

Transformer

The **Transformer** parameters are only visible when **Block choice** is set to Isolated converter.

Transformer inductance L1 – Inductance

10 H (default) | positive scalar

Self-inductance of the first winding of the transformer.

Dependencies

This parameter is only visible when **Block choice** is set to **Isolated converter**.

Transformer inductance L2 – Inductance

0.1 H (default) | positive scalar

Self-inductance of the second winding of the transformer.

Dependencies

This parameter is only visible when **Block choice** is set to **Isolated converter**.

Transformer coefficient of coupling – Coupling coefficient

0.9 (default) | positive scalar greater than zero and less than 1

Defines the mutual inductance of the transformer.

Dependencies

This parameter is only visible when **Block choice** is set to **Isolated converter**.

LC Parameters**Inductance, L – Inductance**

1e-6 H (default) | positive scalar

Converter inductance. For the isolated converter model variant, the two inductors are identical.

Capacitance, C1 – Capacitance

1e-7 F (default) | positive scalar

Capacitance of the first DC terminal.

Capacitance, C2 – Capacitance

1e-7 F (default) | positive scalar

Capacitance of the second DC terminal.

C1 effective series resistance – Resistance

1e-6 Ohm (default) | zero or positive scalar

Series resistance of capacitor *C1*.

C2 effective series resistance – Resistance

1e-6 Ohm (default) | zero or positive scalar

Series resistance of capacitor *C2*.

Snubbers

The **Snubbers** parameters tab is not visible if you set **Switching device** to **Averaged Switch**.

The table summarizes the **Snubbers** parameter dependencies. To learn how to read the table, see “Parameter Dependencies” on page A-2.

Snubbers Parameter Dependencies

Snubbers Parameter Dependencies				
Block choice				
<i>Nonisolated Converter</i>		<i>Isolated Converter</i>		
Snubber		Snubber HV		
<i>None</i>	<i>RC Snubber</i>	None	<i>RC Snubber</i>	
	Snubber resistance		Snubber resistance HV	
	Snubber capacitance		Snubber capacitance HV	
			Snubber LV	
			<i>None</i>	<i>RC Snubber</i>
				Snubber resistance LV
			Snubber capacitance LV	

Snubber – Snubber model

None (default) | RC snubber

Snubber for each switching device.

Dependencies

See the Snubbers Parameter Dependencies table.

Snubber resistance – Resistance

0.1 Ohm (default) | scalar

Resistance of the snubbers.

Dependencies

See the Snubbers Parameter Dependencies table.

Snubber capacitance – Capacitance

1e-7 F (default) | scalar

Capacitance of the snubbers.

Dependencies

See the Snubbers Parameter Dependencies table.

Snubber HV – Snubber model

None (default) | RC snubber

HV snubber for each switching device.

Dependencies

See the Snubbers Parameter Dependencies table.

Snubber resistance HV – Resistance

0.1 Ohm (default) | scalar

Resistance of the high-voltage snubbers.

Dependencies

See the Snubbers Parameter Dependencies table.

Snubber capacitance HV — Capacitance

1e-7 F (default) | scalar

Capacitance of the high-voltage snubbers.

Dependencies

See the Snubbers Parameter Dependencies table.

Snubber LV — Snubber model

None (default) | RC snubber

LV snubber for each switching device.

Dependencies

See the Snubbers Parameter Dependencies table.

Snubber resistance LV — Resistance

0.1 Ohm (default) | scalar

Resistance of the low-voltage snubbers.

Dependencies

See the Snubbers Parameter Dependencies table.

Snubber capacitance LV — Capacitance

1e-7 F (default) | scalar

Capacitance of the low-voltage snubbers.

Dependencies

See the Snubbers Parameter Dependencies table.

References

- [1] Saleh, M., Y. Esa, Y. Mhandi, W. Brandauer, and A. Mohamed. *Design and implementation of CCNY DC microgrid testbed*. Industry Applications Society Annual Meeting. Portland, OR: 2016, pp 1-7.
- [2] Kutkut, N. H., and G. Luckjiff. *Current mode control of a full bridge DC-to-DC converter with a two inductor rectifier*. Power Electronics Specialists Conference. Saint Louis, MO: 1997, pp 203-209.
- [3] Nene, H. *Digital control of a bi-directional DC-DC converter for automotive applications*. Twenty-Eighth Annual IEEE Applied Power Electronics Conference and Exposition (APEC). Long Beach, CA: 2013, pp 1360-1365.

Extended Capabilities

C/C++ Code Generation

Generate C and C++ code using Simulink® Coder™.

See Also

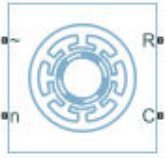
Average-Value DC-DC Converter | Boost Converter | Buck Converter | Buck-Boost Converter | Converter (Three-Phase) | GTO | IGBT (Ideal, Switching) | Ideal Semiconductor Switch | MOSFET (Ideal, Switching) | PWM Generator | PWM Generator (Three-phase, Two-level) | Six-Pulse Gate Multiplexer | Three-Level Converter (Three-Phase) | Thyristor (Piecewise Linear)

Introduced in R2018a

BLDC

Three-winding brushless DC motor with trapezoidal flux distribution

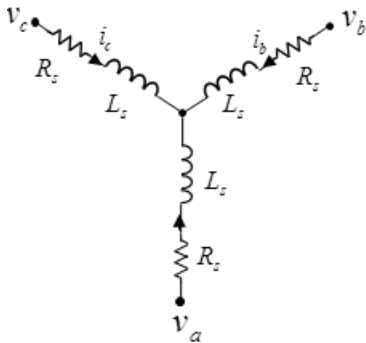
Library: Simscape / Electrical / Electromechanical / Permanent Magnet



Description

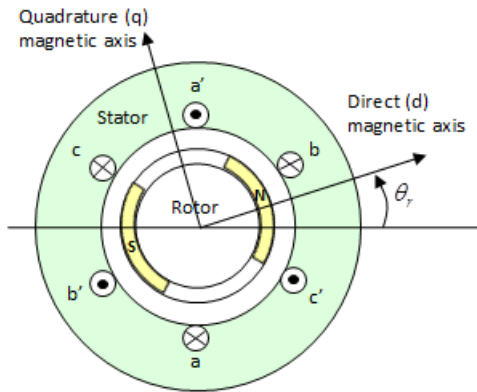
The BLDC block models a permanent magnet synchronous machine with a three-phase wye-wound stator. The block has four options for defining the permanent magnet flux distribution as a function of rotor angle. Two options allow for simple parameterization by assuming a perfect trapezoid for the back emf. For simple parameterization, you specify either the flux linkage or the rotor-induced back emf. The other two options give more accurate results using tabulated data that you specify. For more accurate results, you specify either the flux linkage partial derivative or the measured back emf constant for a given rotor speed.

The figure shows the equivalent electrical circuit for the stator windings.



Motor Construction

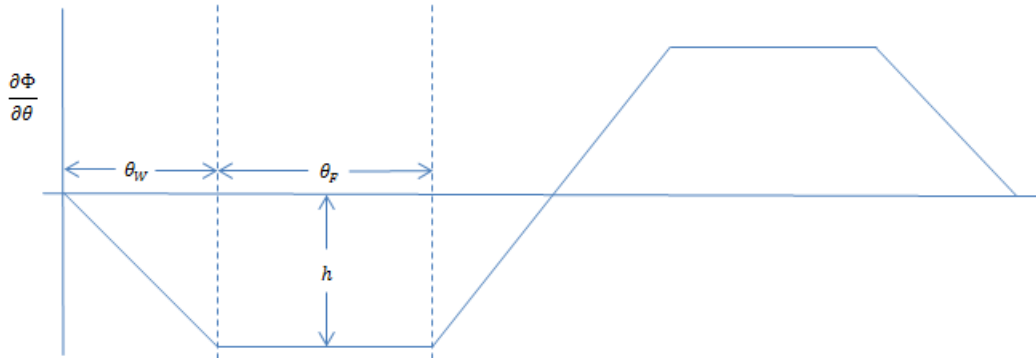
This figure shows the motor construction with a single pole-pair on the rotor.



For the axes convention in the preceding figure, the a -phase and permanent magnet fluxes are aligned when rotor angle θ_r is zero. The block supports a second rotor-axis definition. For the second definition, the rotor angle is the angle between the a -phase magnetic axis and the rotor q -axis.

Trapezoidal Rate of Change of Flux

The rotor magnetic field due to the permanent magnets create a trapezoidal rate of change of flux with rotor angle. The figure shows this rate of change of flux.



Back emf is the rate of change of flux, defined by

$$\frac{d\Phi}{dt} = \frac{\partial\Phi}{\partial\theta} \frac{d\theta}{dt} = \frac{\partial\Phi}{\partial\theta} \omega,$$

where:

- Φ is the permanent magnet flux linkage.
- θ is the rotor angle.
- ω is the mechanical rotational speed.

The height h of the trapezoidal rate of change of flux profile is derived from the permanent magnet peak flux.

Integrating $\frac{\partial\Phi}{\partial\theta}$ over the range 0 to $\pi/2$,

$$\Phi_{max} = \frac{h}{2}(\theta_F + \theta_W),$$

where:

- Φ_{max} is the permanent magnet flux linkage.
- h is the rate of change of flux profile height.
- θ_F is the rotor angle range over which the back emf that the permanent magnet flux induces in the stator is constant.
- θ_W is the rotor angle range over which back emf increases or decreases linearly when the rotor moves at constant speed.

Rearranging the preceding equation,

$$h = 2\Phi_{max}/(\theta_F + \theta_W).$$

Electrical Defining Equations

Voltages across the stator windings are defined by

$$\begin{bmatrix} v_a \\ v_b \\ v_c \end{bmatrix} = \begin{bmatrix} R_s & 0 & 0 \\ 0 & R_s & 0 \\ 0 & 0 & R_s \end{bmatrix} \begin{bmatrix} i_a \\ i_b \\ i_c \end{bmatrix} + \begin{bmatrix} \frac{d\psi_a}{dt} \\ \frac{d\psi_b}{dt} \\ \frac{d\psi_c}{dt} \end{bmatrix},$$

where:

- v_a , v_b , and v_c are the external voltages applied to the three motor electrical connections.
- R_s is the equivalent resistance of each stator winding.
- i_a , i_b , and i_c are the currents flowing in the stator windings.
- $\frac{d\psi_a}{dt}$, $\frac{d\psi_b}{dt}$, and $\frac{d\psi_c}{dt}$

are the rates of change of magnetic flux in each stator winding.

The permanent magnet and the three windings contribute to the total flux linking each winding. The total flux is defined by

$$\begin{bmatrix} \psi_a \\ \psi_b \\ \psi_c \end{bmatrix} = \begin{bmatrix} L_{aa} & L_{ab} & L_{ac} \\ L_{ba} & L_{bb} & L_{bc} \\ L_{ca} & L_{cb} & L_{cc} \end{bmatrix} \begin{bmatrix} i_a \\ i_b \\ i_c \end{bmatrix} + \begin{bmatrix} \psi_{am} \\ \psi_{bm} \\ \psi_{cm} \end{bmatrix},$$

where:

- ψ_a , ψ_b , and ψ_c are the total fluxes linking each stator winding.
- L_{aa} , L_{bb} , and L_{cc} are the self-inductances of the stator windings.
- L_{ab} , L_{ac} , L_{ba} , etc. are the mutual inductances of the stator windings.
- ψ_{am} , ψ_{bm} , and ψ_{cm} are the permanent magnet fluxes linking the stator windings.

The inductances in the stator windings are functions of rotor angle, defined by

$$L_{aa} = L_s + L_m \cos(2\theta_r),$$

$$L_{bb} = L_s + L_m \cos(2(\theta_r - 2\pi/3)),$$

$$L_{cc} = L_s + L_m \cos(2(\theta_r + 2\pi/3)),$$

$$L_{ab} = L_{ba} = -M_s - L_m \cos(2(\theta_r + \pi/6)),$$

$$L_{bc} = L_{cb} = -M_s - L_m \cos(2(\theta_r + \pi/6 - 2\pi/3)),$$

and

$$L_{ca} = L_{ac} = -M_s - L_m \cos(2(\theta_r + \pi/6 + 2\pi/3)),$$

where:

- L_s is the stator self-inductance per phase — The average self-inductance of each of the stator windings.
- L_m is the stator inductance fluctuation — The fluctuation in self-inductance and mutual inductance with changing rotor angle.
- M_s is the stator mutual inductance — The average mutual inductance between the stator windings.

The permanent magnet flux linking each stator winding follows the trapezoidal profile shown in the figure. The block implements the trapezoidal profile using lookup tables to calculate permanent magnet flux values.

Simplified Equations

The defining voltage and torque equations for the block are

$$\begin{bmatrix} v_d \\ v_q \\ v_0 \end{bmatrix} = P \left(\begin{bmatrix} v_a \\ v_b \\ v_c \end{bmatrix} - N\omega \begin{bmatrix} \frac{\partial \psi_{am}}{\partial \theta_r} \\ \frac{\partial \psi_{bm}}{\partial \theta_r} \\ \frac{\partial \psi_{cm}}{\partial \theta_r} \end{bmatrix} \right),$$

$$v_d = R_s i_d + L_d \frac{di_d}{dt} - N\omega i_q L_q,$$

$$v_q = R_s i_q + L_q \frac{di_q}{dt} + N\omega i_d L_d,$$

$$v_0 = R_s i_0 + L_0 \frac{di_0}{dt},$$

and

$$T = \frac{3}{2} N (i_q i_d L_d - i_d i_q L_q) + [i_a \ i_b \ i_c] \begin{bmatrix} \frac{\partial \psi_{am}}{\partial \theta_r} \\ \frac{\partial \psi_{bm}}{\partial \theta_r} \\ \frac{\partial \psi_{cm}}{\partial \theta_r} \end{bmatrix},$$

where:

- v_d , v_q , and v_0 are the d -axis, q -axis, and zero-sequence voltages.
- P is Park's Transformation, defined by

$$P = 2/3 \begin{bmatrix} \cos\theta_e & \cos(\theta_e - 2\pi/3) & \cos(\theta_e + 2\pi/3) \\ -\sin\theta_e & -\sin(\theta_e - 2\pi/3) & -\sin(\theta_e + 2\pi/3) \\ 0.5 & 0.5 & 0.5 \end{bmatrix}$$

- N is the number of rotor permanent magnet pole pairs.
- ω is the rotor mechanical rotational speed.
- $\frac{\partial \psi_{am}}{\partial \theta_r}$, $\frac{\partial \psi_{bm}}{\partial \theta_r}$, and $\frac{\partial \psi_{cm}}{\partial \theta_r}$

are the partial derivatives of instantaneous permanent magnet flux linking each phase winding.

- i_d , i_q , and i_0 are the d -axis, q -axis, and zero-sequence currents, defined by

$$\begin{bmatrix} i_d \\ i_q \\ i_0 \end{bmatrix} = P \begin{bmatrix} i_a \\ i_b \\ i_c \end{bmatrix}.$$

- $L_d = L_s + M_s + 3/2 L_m$. L_d is the stator d -axis inductance.
- $L_q = L_s + M_s - 3/2 L_m$. L_q is the stator q -axis inductance.
- $L_0 = L_s - 2M_s$. L_0 is the stator zero-sequence inductance.
- T is the rotor torque. Torque flows from the motor case (block physical port C) to the motor rotor (block physical port R).

Calculating Iron Losses

Iron losses are divided into two terms, one representing the main magnetizing path, and the other representing the cross-tooth tip path that becomes active during field weakened operation. The iron losses model, which is based on the work of Mellor [3].

The term representing the main magnetizing path depends on the induced RMS stator voltage, $V_{m_{rms}}$:

$$P_{OC}(V_{m_{rms}}) = \frac{a_h}{k} V_{m_{rms}} + \frac{a_j}{k^2} V_{m_{rms}}^2 + \frac{a_{ex}}{k^{1.5}} V_{m_{rms}}^{1.5}$$

This is the dominant term during no-load operation. k is the back emf constant relating RMS volts per Hz. It is defined as $k = V_{m_{rms}}/f$, where f is the electrical frequency. The first term on the right-hand side is the magnetic hysteresis loss, the second is the eddy current loss and the third is the excess loss. The three coefficients appearing on the numerators are derived from the values that you provide for the open-circuit hysteresis, eddy, and excess losses.

The term representing the cross-tooth tip path becomes important when a demagnetizing field is set up and can be determined from a finite element analysis short-circuit test. It depends on the RMS emf associated with the cross-tooth tip flux, $V_{d_{rms}}^*$:

$$P_{SC}(V_{d_{rms}}^*) = \frac{b_h}{k} V_{d_{rms}}^* + \frac{b_j}{k^2} V_{d_{rms}}^{*2} + \frac{b_{ex}}{k^{1.5}} V_{d_{rms}}^{*1.5}$$

The three numerator terms are derived from the values you provide for the short-circuit hysteresis, eddy, and excess losses.

Thermal Ports

The block has four optional thermal ports, one for each of the three windings and one for the rotor. These ports are hidden by default. To expose the thermal ports, right-click the block in your model, select **Simscape > Block choices**, and then select the desired block variant with thermal ports: **Composite three-phase ports | Show thermal port** or **Expanded three-phase ports | Show thermal port**. This action displays the thermal ports on the block icon, and exposes the **Temperature Dependence** and **Thermal Port** parameters. These parameters are described further on this reference page.

Use the thermal ports to simulate the effects of copper resistance and iron losses that convert electrical power to heat. For more information on using thermal ports in actuator blocks, see “Simulating Thermal Effects in Rotational and Translational Actuators”.

Variables

Use the **Variables** settings to specify the priority and initial target values for the block variables before simulation. For more information, see “Set Priority and Initial Target for Block Variables”.

Ports

Conserving

~ — Three-phase port

electrical

Expandable three-phase port.

n — Neutral phase

electrical

Electrical conserving port associated with the neutral phase

R — Motor rotor

mechanical

Mechanical rotational conserving port associated with the motor rotor

C — Motor case

mechanical

Mechanical rotational conserving port associated with the motor case

HA — Winding A thermal port

thermal

Thermal conserving port associated with winding A. For more information, see “Thermal Ports” on page 1-102.

HB — Winding B thermal port

thermal

Thermal conserving port associated with winding B. For more information, see “Thermal Ports” on page 1-102.

HC — Winding C thermal port

thermal

Thermal conserving port associated with winding C. For more information, see “Thermal Ports” on page 1-102.

HR — Rotor thermal port

thermal

Thermal conserving port associated with the rotor. For more information, see “Thermal Ports” on page 1-102.

Parameters

Rotor

Winding type — Windings configuration

Wye-wound (default) | Delta-wound

Select the configuration for the windings:

- Wye-wound — The windings are wye-wound.
- Delta-wound — The windings are delta-wound. The *a*-phase is connected between ports **a** and **b**, the *b*-phase between ports **b** and **c** and the *c*-phase between ports **c** and **a**.

Back EMF profile — Back EMF profile

Perfect trapezoid - specify maximum flux linkage (default) | Perfect trapezoid - specify maximum rotor-induced back emf | Tabulated - specify flux partial derivative with respect to rotor angle | Tabulated - specify rotor-induced back emf as a function of rotor angle

Parameterization for defining the permanent magnet flux distribution as a function of rotor angle. Choose:

- Perfect trapezoid - specify maximum flux linkage to specify the maximum flux linkage for the permanent magnet and the rotor angle where the back emf is constant. The block assumes a perfect trapezoid for the back emf. This is the default value.
- Perfect trapezoid - specify maximum rotor-induced back emf to specify the maximum rotor-induced back emf and the corresponding rotor speed. The block assumes a perfect trapezoid for the back emf.
- Tabulated - specify flux partial derivative with respect to rotor angle to specify values for the partial derivative of flux linkage and the corresponding rotor angles.
- Tabulated - specify rotor-induced back emf as a function of rotor angle to specify the measured back emf constant and the corresponding rotor speed and angles.

Maximum permanent magnet flux linkage — Maximum permanent magnet flux linkage

0.03 Wb (default)

Peak permanent magnet flux linkage with any of the stator windings.

Dependencies

To enable this parameter, set **Back EMF profile** to Perfect trapezoid - specify maximum flux linkage.

Rotor angle over which back emf is constant — Rotor angle over which back emf is constant

$\pi / 12$ rad (default)

Rotor angle range over which the permanent magnet flux linking the stator winding is constant. This angle is θ_F in the figure that shows the “Trapezoidal Rate of Change of Flux” on page 1-98.

Dependencies

To enable this parameter, set **Back EMF profile** to Perfect trapezoid - specify maximum flux linkage or Perfect trapezoid - specify maximum rotor-induced back emf.

Maximum rotor-induced back emf — Maximum rotor-induced back emf

9.6 V (default)

Peak rotor-induced back emf into the stator windings.

Dependencies

To enable this parameter, set **Back EMF profile** to Perfect trapezoid - specify maximum rotor-induced back emf.

Rotor-induced back emf — Rotor-induced back emf

[0, -9.6, -9.6, 9.6, 9.6, 0] V (default)

Vector of values for the rotor-induced back emf as a function of rotor angle. The first and last values must be the same, and are normally both zero. For more information, see the **Corresponding rotor angles** parameter. First and last values are the same because flux is cyclic with period $2\pi/N$, where N is the number of permanent magnet pole pairs.

Dependencies

To enable this parameter, set **Back EMF profile** to Tabulated - specify rotor-induced back emf as a function of rotor angle.

Flux linkage partial derivative with respect to rotor angle — Flux linkage partial derivative with respect to rotor angle

[0, -.1528, -.1528, .1528, .1528, 0] Wb/rad (default)

Vector of values for the partial derivative of flux linkage (where flux linkage is flux times number of winding turns) with respect to rotor angle. The first and last values must be the same, and are normally both zero. For more information, see the **Corresponding rotor angles** parameter. First and last values are the same because flux is cyclic with period $2\pi/N$, where N is the number of permanent magnet pole pairs.

Corresponding rotor angles — Corresponding rotor angles

[0, 7.5, 22.5, 37.5, 52.5, 60] deg (default)

Vector of rotor angles where the flux linkage partial derivative or rotor-induced back emf is defined. Rotor angle is defined as the angle between the a -phase magnetic axis and the d -axis. That is, when the angle is zero, the magnetic fields due to the rotor and the a -phase winding align. This definition is

used regardless of your block setting for rotor angle definition. The first value is zero, and the last value is $2\pi/N$, where N is the number of permanent magnet pole pairs.

Dependencies

To enable this parameter, set **Back EMF profile** to `Tabulated - specify flux partial derivative with respect to rotor angle` or `Tabulated - specify rotor-induced back emf as a function of rotor angle`.

Rotor speed used for back emf measurement — Rotor speed used for back emf measurement

600 rpm (default)

Specify the rotor speed corresponding to the maximum rotor-induced back emf.

Dependencies

To enable this parameter, set **Back EMF profile** to `Perfect trapezoid - specify maximum rotor-induced back emf` or `Tabulated - specify rotor-induced back emf as a function of rotor angle`.

Number of pole pairs — Number of pole pairs

6 (default)

Number of permanent magnet pole pairs on the rotor.

Rotor angle definition — Reference point for the rotor angle measurement

Angle between the a-phase magnetic axis and the d-axis (default) | Angle between the a-phase magnetic axis and the q-axis

Reference point for the rotor angle measurement. The default value is `Angle between the a-phase magnetic axis and the d-axis`. This definition is shown in the “Motor Construction” on page 1-97 figure. When you select this value, the rotor and a -phase fluxes are aligned when the rotor angle is zero.

The other value you can choose for this parameter is `Angle between the a-phase magnetic axis and the q-axis`. When you select this value, the a -phase current generates maximum torque when the rotor angle is zero.

Stator

Modeling fidelity — Modeling fidelity

Constant L_d and L_q (default) | Tabulated L_d and L_q

Select the modeling fidelity:

- **Constant L_d and L_q** — L_d and L_q values are constant and defined by their respective parameters.
- **Tabulated L_d and L_q** — L_d and L_q values are computed online from DQ currents look-up tables as follows:

$$L_d = f_1(i_d, i_q)$$

$$L_q = f_2(i_d, i_q)$$

Dependencies

To enable this parameter, set **Stator parameterization** to Specify Ld, Lq, and L0.

Stator parameterization — Stator parameterization

Specify Ld, Lq, and L0 (default) | Specify Ls, Lm, and Ms

Choose Specify Ld, Lq, and L0 or Specify Ls, Lm, and Ms.

Stator d-axis inductance, Ld — Stator d-axis inductance

0.00022 H (default)

D-axis inductance.

Dependencies

To enable this parameter, set **Stator parameterization** to Specify Ld, Lq, and L0 and **Modeling fidelity** to Constant Ld and Lq.

Stator q-axis inductance, Lq — Stator q-axis inductance

0.00022 H (default)

Q-axis inductance.

Dependencies

To enable this parameter, set **Stator parameterization** to Specify Ld, Lq, and L0 and **Modeling fidelity** to Constant Ld and Lq.

Direct-axis current vector, iD — Direct-axis current vector

[-200, 0, 200] A (default)

Direct-axis current vector, iD.

Dependencies

To enable this parameter, set **Stator parameterization** to Specify Ld, Lq, and L0 and **Modeling fidelity** to Tabulated Ld and Lq.

Quadrature-axis current vector, iQ — Quadrature-axis current vector

[-200, 0, 200] A (default)

Quadrature-axis current vector, iQ.

Dependencies

To enable this parameter, set **Stator parameterization** to Specify Ld, Lq, and L0 and **Modeling fidelity** to Tabulated Ld and Lq.

Ld matrix, Ld(id,iq) — Ld matrix

0.00022 * ones(3, 3) H (default)

Ld matrix.

Dependencies

To enable this parameter, set **Stator parameterization** to Specify Ld, Lq, and L0 and **Modeling fidelity** to Tabulated Ld and Lq.

Lq matrix, Lq(id,iq) – Lq matrix

0.00022 * ones(3, 3) H (default)

Lq matrix.

Dependencies

To enable this parameter, set **Stator parameterization** to Specify Ld, Lq, and L0 and **Modeling fidelity** to Tabulated Ld and Lq.

Stator zero-sequence inductance, L0 – Stator zero-sequence inductance

0.00016 H (default)

Zero-sequence inductance.

Dependencies

To enable this parameter either:

- Set **Winding Type** to Wye-wound, **Zero sequence** to Include, and **Stator parameterization** to Specify Ld, Lq, and L0.
- Set **Winding Type** to Delta-wound and **Stator parameterization** to Specify Ld, Lq, and L0.

Stator self-inductance per phase, Ls – Stator self-inductance per phase

0.0002 H (default)

Average self-inductance of each of the three stator windings.

Dependencies

To enable this parameter, set **Stator parameterization** to Specify Ls, Lm, and Ms.

Stator inductance fluctuation, Lm – Stator inductance fluctuation

0 H (default)

Fluctuation in self-inductance and mutual inductance of the stator windings with rotor angle.

Dependencies

To enable this parameter, set **Stator parameterization** to Specify Ls, Lm, and Ms.

Stator mutual inductance, Ms – Stator mutual inductance

0.00002 H (default)

Average mutual inductance between the stator windings.

Dependencies

To enable this parameter, set **Stator parameterization** to Specify Ls, Lm, and Ms.

Stator resistance per phase, Rs – Stator resistance per phase

0.013 Ohm (default)

Resistance of each of the stator windings.

Zero sequence – Zero sequence option

Include (default) | Exclude

Option to include or exclude zero-sequence terms.

- **Include** — Include zero-sequence terms. To prioritize model fidelity, use this default setting. Using this option:
 - Results in an error for simulations that use the Partitioning solver. For more information, see “Increase Simulation Speed Using the Partitioning Solver”.
 - Exposes a zero-sequence parameter in the **Impedances** settings.
- **Exclude** — Exclude zero-sequence terms. To prioritize simulation speed for desktop simulation or real-time deployment, select this option.

Dependencies

This parameter is visible only when you set the **Winding Type** parameter to Wye-wound.

Iron Losses

Iron-loss — Enable iron losses computation

None (default) | Empirical

Specify the iron losses computational model.

Open-circuit iron losses, [P_hysteresis P_eddy P_excess] — Open-circuit iron losses

[0, 0, 0] W (default)

Row vector, of length 3, of the open-circuit iron losses due to hysteresis, Eddy, and excess losses, respectively, at the frequency specified by **Electrical frequency at which losses determined**.

Dependencies

To enable this parameter, set **Iron-loss** to Empirical.

Short-circuit iron losses, [P_hysteresis P_eddy P_excess] — Short-circuit iron losses

[0, 0, 0] W (default)

Row vector, of length 3, of the short-circuit iron losses due to hysteresis, Eddy, and excess losses, respectively, at the frequency specified by **Electrical frequency at which losses determined**.

Dependencies

To enable this parameter, set **Iron-loss** to Empirical.

Electrical frequency at which losses determined — Electrical frequency at which losses determined

60 Hz (default)

Electrical frequency at which the open-circuit and short-circuit iron losses were measured.

Dependencies

To enable this parameter, set **Iron-loss** to Empirical.

Short-circuit RMS current for short-circuit iron losses — Short-circuit RMS current for short-circuit iron losses

95 A (default)

The resulting short-circuit RMS phase current when measuring the short-circuit losses.

Dependencies

To enable this parameter, set **Iron-loss** to **Empirical**.

Mechanical

Rotor inertia – Rotor inertia

0.01 kg*m² (default)

Inertia of the rotor attached to mechanical translational port **R**. The value can be zero.

Rotor damping – Rotor damping

0 N*m/(rad/s) (default)

Rotary damping.

Temperature Dependence

These parameters appear only for blocks with exposed thermal ports. For more information, see “Thermal Ports” on page 1-102.

Measurement temperature – Measurement temperature

298.15 K (default)

The temperature for which motor parameters are quoted.

Resistance temperature coefficient – Resistance temperature coefficient

3.93e-3 1/K (default)

Coefficient α in the equation relating resistance to temperature, as described in “Thermal Model for Actuator Blocks”. The default value is for copper.

Permanent magnet flux temperature coefficient – Permanent magnet flux temperature coefficient

-0.001 1/K (default)

The fractional rate of change of permanent magnet flux density with temperature. It is used to linearly reduce the torque and the induced back EMF as temperature rises.

Thermal Port

These parameters appear only for blocks with exposed thermal ports. For more information, see “Thermal Ports” on page 1-102.

Thermal mass for each stator winding – Thermal mass for each stator winding

100 J/K (default)

The thermal mass value for the A, B, and C windings. The thermal mass is the energy required to raise the temperature by one degree.

Rotor thermal mass – Rotor thermal mass

200 J/K (default)

The thermal mass of the rotor, that is, the energy required to raise the temperature of the rotor by one degree.

**Percentage of main flux path iron losses associated with the rotor —
Percentage of main flux path iron losses associated with the rotor**

90 (default)

The percentage of the main flux path iron losses associated with the magnetic path through the rotor. It determines how much of the iron loss heating is attributed to the rotor thermal port **HR**, and how much is attributed to the three winding thermal ports **HA**, **HB**, and **HC**.

Dependencies

To enable this parameter, set **Iron-loss** to `Empirical`.

**Percentage of cross-tooth flux path iron losses associated with the rotor —
Percentage of cross-tooth flux path iron losses associated with the rotor**

30 (default)

The percentage of the cross-tooth flux path iron losses associated with the magnetic path through the rotor. It determines how much of the iron loss heating is attributed to the rotor thermal port **HR**, and how much is attributed to the three winding thermal ports **HA**, **HB**, and **HC**.

Dependencies

To enable this parameter, set **Iron-loss** to `Empirical`.

References

- [1] Kundur, P. *Power System Stability and Control*. New York, NY: McGraw Hill, 1993.
- [2] Anderson, P. M. *Analysis of Faulted Power Systems*. Hoboken, NJ: Wiley-IEEE Press, 1995.
- [3] Mellor, P.H., R. Wrobel, and D. Holliday. "A computationally efficient iron loss model for brushless AC machines that caters for rated flux and field weakened operation." *IEEE Electric Machines and Drives Conference*. May 2009.

Extended Capabilities**C/C++ Code Generation**

Generate C and C++ code using Simulink® Coder™.

See Also**Simscape Blocks**

Hybrid Excitation Synchronous Machine | Permanent Magnet Synchronous Motor

Blocks

BLDC Commutation Logic | BLDC Current Controller | BLDC Current Controller with PWM Generation

Topics

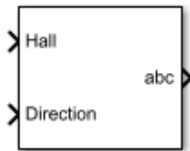
"Expand and Collapse Three-Phase Ports on a Block"

Introduced in R2013b

BLDC Commutation Logic

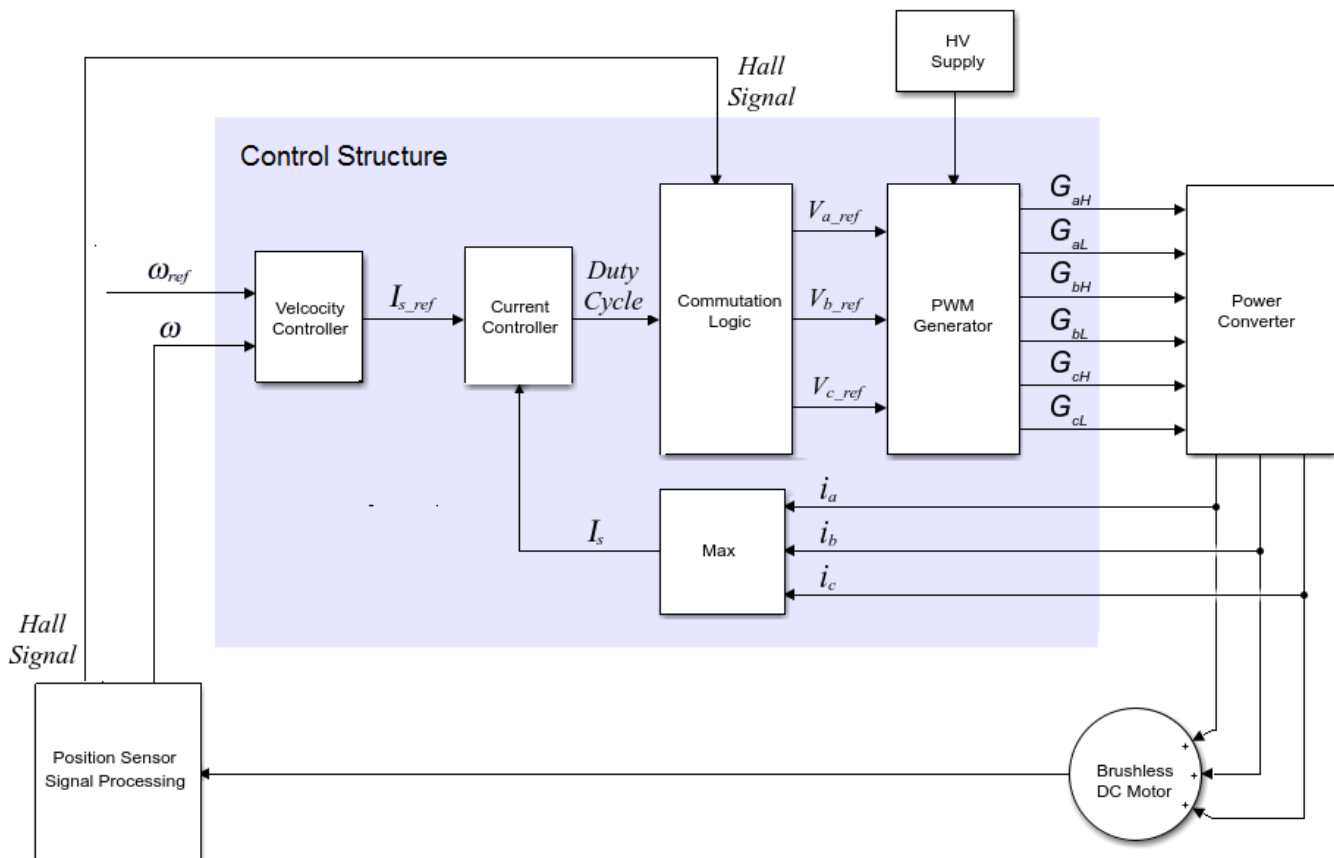
Switch-commutation logic for brushless DC motors

Library: Simscape / Electrical / Control / BLDC Control



Description

The BLDC Commutation Logic block implements a commutation logic for brushless DC motors as part of this control algorithm.



The commutation logic is based on the Hall signals as summarized in this table.

Hall Sensors			Motor Phases		
Hall a	Hall b	Hall c	Phase a	Phase b	Phase c

Hall Sensors			Motor Phases		
0	0	0	0	0	0
1	1	0	0	1	-1
0	1	0	-1	1	0
0	1	1	-1	0	1
0	0	1	0	-1	1
1	0	1	1	-1	0
1	0	0	1	0	-1
1	1	1	0	0	0

Ports

Input

Hall — Hall sensor

vector

Hall sensor data.

Data Types: single | double

Direction — Motor direction

scalar

Direction of motor rotation.

Data Types: single | double

Output

abc — Motor phase

vector

Motor phase indicated by the commutation logic.

Data Types: single | double

Parameters

Sample time (-1 for inherited) — Block sample time

-1 (default) | positive scalar

Time, in s, between consecutive block executions. During execution, the block produces outputs and, if appropriate, updates its internal state. For more information, see “What Is Sample Time?” and “Specify Sample Time”.

If this block is inside a triggered subsystem, inherit the sample time by setting this parameter to -1. If this block is in a continuous variable-step model, specify the sample time explicitly using a positive scalar.

References

- [1] Stirban, A., I. Boldea, and G. D. Andreescu. "Motion-Sensorless Control of BLDC-PM Motor With Offline FEM-Information-Assisted Position and Speed Observer." *IEEE Transactions on Industry Applications*. 48, no. 6 (2012): 1950-1958.

Extended Capabilities

C/C++ Code Generation

Generate C and C++ code using Simulink® Coder™.

See Also

Blocks

BLDC Current Controller | BLDC Current Controller with PWM Generation

Simscape Blocks

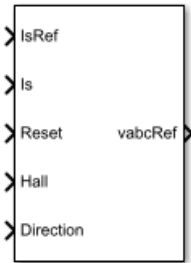
BLDC

Introduced in R2018a

BLDC Current Controller

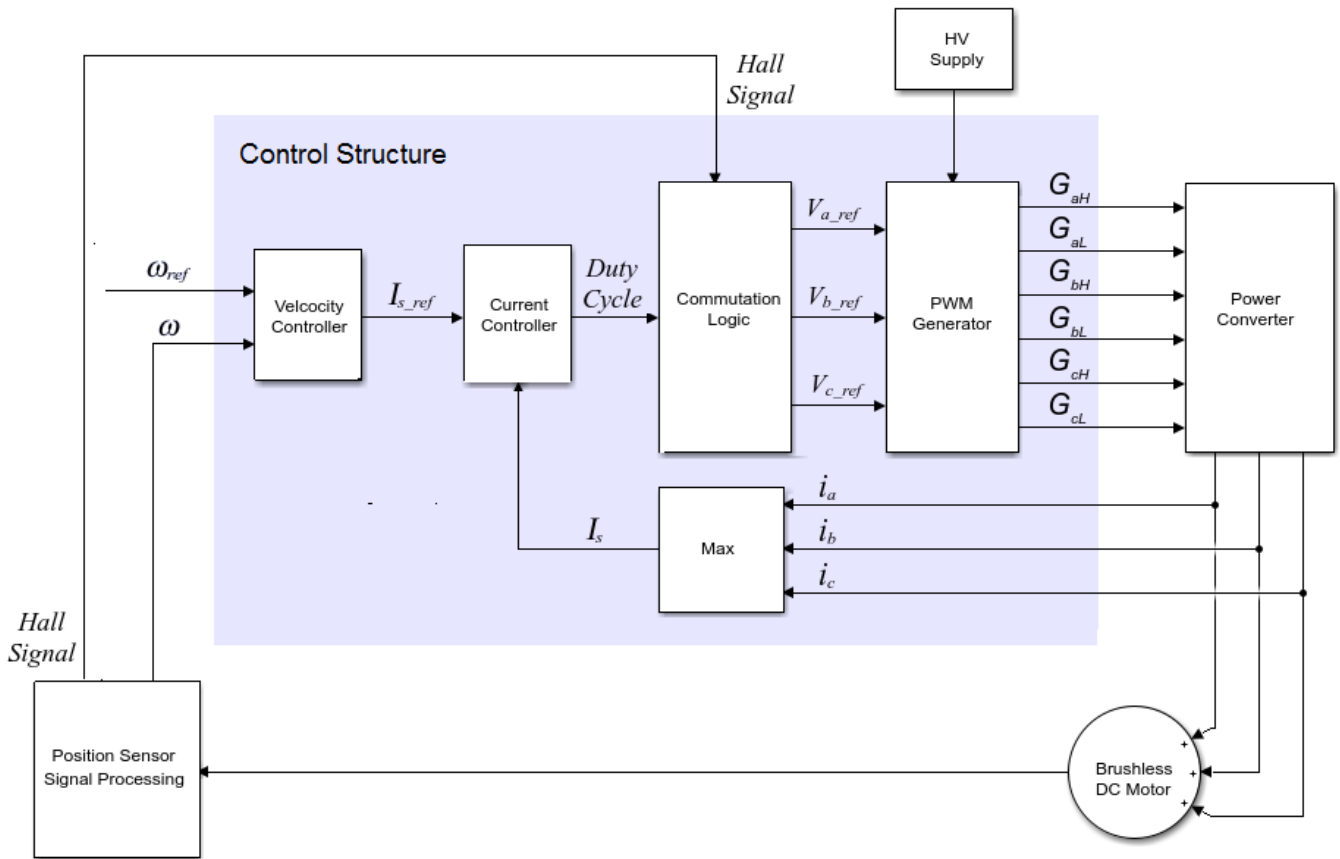
Discrete-time Brushless DC Motor current PI controller

Library: Simscape / Electrical / Control / BLDC Control



Description

The BLDC Current Controller block uses this algorithm to control current in a DC brushless motor.



Equations

The BLDC Current Controller produces the duty cycle for a BLDC block by implementing proportional-integral (PI) current control using this equation.

$$D = \left(K_p + K_i \frac{T_s z}{z-1} \right) (I_{s_ref} - I_s)$$

Where:

- D is the duty cycle.
- K_p is the proportional gain.
- K_i is the integral gain.
- T_s is the time period.
- I_{s_ref} is the reference current.
- I_s is the measured current.
- G_{zc} is the zero cancellation polynomial.

The closed-loop transfer function for the PI control algorithm yields a zero that can be cancelled by using zero-cancellation in the feedforward path. The zero-cancellation transfer function in discrete-time is:

$$G_{ZC}(z) = \frac{\frac{T_s K_i}{K_p}}{z + \left(\frac{T_s - \frac{K_p}{K_i}}{\frac{K_p}{K_i}} \right)}$$

The block obtains control signals for the three phases by multiplying the duty cycle by the commutation signals. The resulting three control signals are normalized over the interval [-1, 1].

Ports

Input

IsRef — Reference current

scalar

Reference current for control.

Data Types: `single` | `double`

Is — Measured current

scalar

Actual current.

Data Types: `single` | `double`

Reset — External reset

scalar

External reset signal (rising edge) for the integrator.

Data Types: single | double

Hall — Hall sensor

vector

Hall sensor data.

Data Types: single | double

Direction — Motor direction

scalar

Direction of motor rotation.

Data Types: single | double

Output**vabcRef — Reference voltage**

vector

Reference voltage for the *a*-, *b*-, and *c*-phases.

Data Types: single | double

Parameters**Proportional gain — Controller proportional gain, K_p**

1 (default) | positive scalar

Proportional gain, K_p , of the controller.

Integral gain — Integral gain, K_i

5 (default) | positive scalar

Integral gain, K_i , of the controller.

Anti-windup gain — Anti-windup gain, K_{aw}

1 (default) | positive scalar

Anti-windup gain, K_{aw} , of the controller.

Sample time (-1 for inherited) — Block sample time

-1 (default) | positive scalar

Time, in s, between consecutive block executions. During execution, the block produces outputs and, if appropriate, updates its internal state. For more information, see “What Is Sample Time?” and “Specify Sample Time”.

If this block is inside a triggered subsystem, inherit the sample time by setting this parameter to -1. If this block is in a continuous variable-step model, specify the sample time explicitly using a positive scalar.

Dependencies

If you set **Sample time (-1 for inherited)** to -1 and select the **Enable zero cancellation** option, the **Discretization sample time** parameter becomes visible.

Discretization sample time — Sample time for discretization

0.001 (default) | positive scalar

Time, in s, between consecutive discretizations. Discretization is required for zero cancellation.

Dependencies

This parameter is only visible when both these conditions are met:

- **Sample time** is set to -1.
- **Enable zero cancellation** is selected.

Enable zero cancellation — Feedforward zero cancellation

off (default) | on

Option to use zero cancellation on the feedforward path.

Dependencies

If you select the **Enable zero cancellation** option and set **Sample time (-1 for inherited)** to -1, the **Discretization sample time** parameter becomes visible.

References

- [1] Stirban, A., I. Boldea, and G. D. Andreescu. "Motion-Sensorless Control of BLDC-PM Motor With Offline FEM-Information-Assisted Position and Speed Observer." *IEEE Transactions on Industry Applications*. 48, no. 6 (2012): 1950-1958.

Extended Capabilities**C/C++ Code Generation**

Generate C and C++ code using Simulink® Coder™.

See Also**Blocks**

BLDC Commutation Logic | BLDC Current Controller with PWM Generation

Simscape Blocks

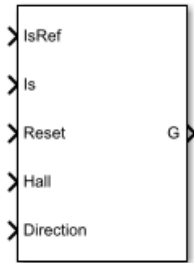
BLDC

Introduced in R2018a

BLDC Current Controller with PWM Generation

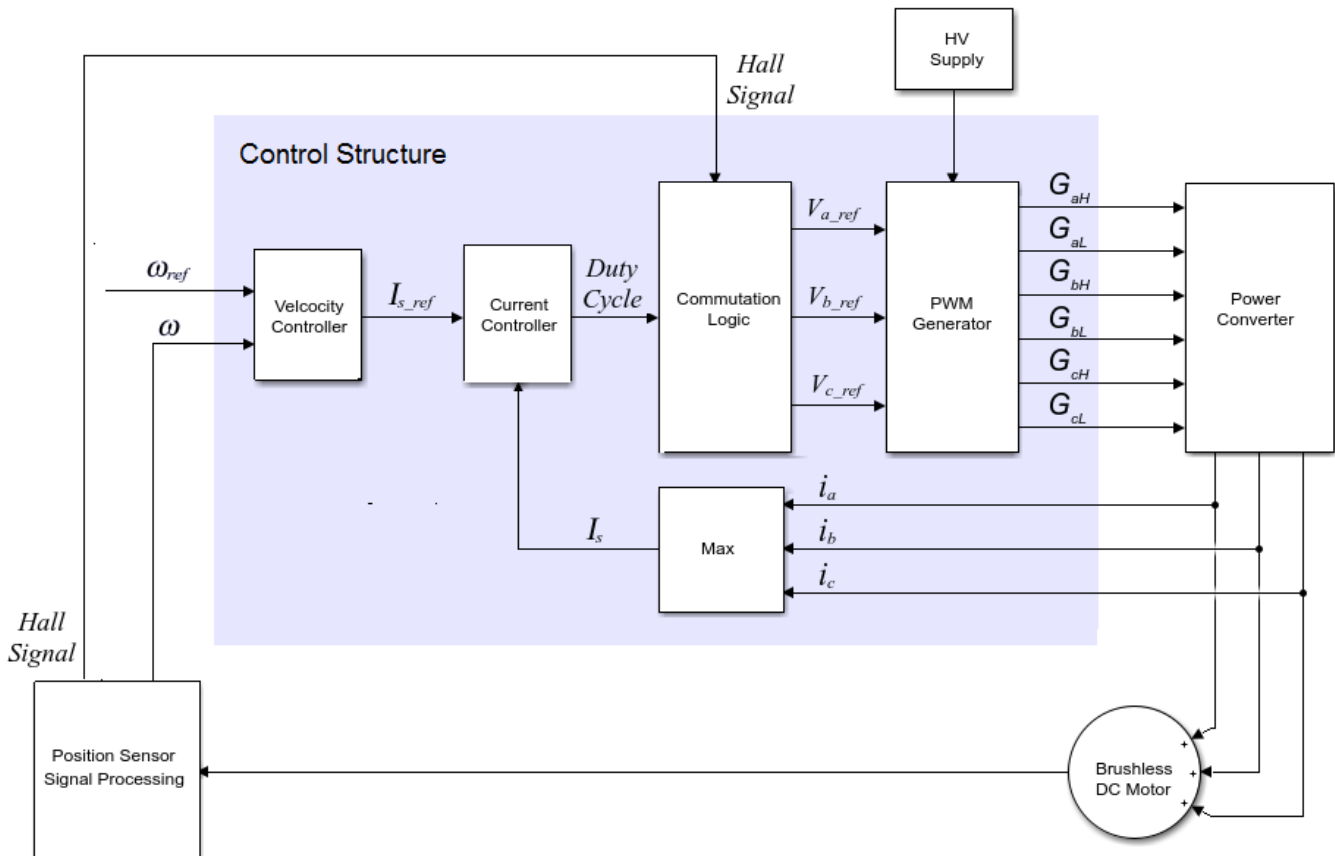
Discrete-time brushless DC Motor current PI controller with pulse width modulation generation

Library: Simscape / Electrical / Control / BLDC Control



Description

The BLDC Current Controller with PWM Generation block generates a pulse width modulation (PWM) signal and controls current in a brushless DC motor. The controller uses this algorithm.



Equations

The BLDC Current Controller with PWM Generation produces the duty cycle for a BLDC block by implementing proportional-integral (PI) current control using this equation

$$D = \left(K_p + K_i \frac{T_s z}{z-1} \right) (I_{s_ref} - I_s)$$

where:

- D is the duty cycle.
- K_p is the proportional gain.
- K_i is the integral gain.
- T_s is the time period.
- I_{s_ref} is the reference current.
- I_s is the measured current.
- G_{zc} is the zero cancellation polynomial.

The closed-loop transfer function for the PI control algorithm yields a zero that can be cancelled by using zero-cancellation block in the feedforward path. The zero-cancellation transfer function in discrete-time is:

$$G_{ZC}(z) = \frac{\frac{T_s K_i}{K_p}}{z + \left(\frac{T_s - \frac{K_p}{K_i}}{\frac{K_p}{K_i}} \right)}$$

The block obtains control signals for the three phases by multiplying the duty cycle by the commutation signals. The resulting three control signals are normalized over the interval $[-1, 1]$.

The PWM generator outputs a 1 when the value of the control signal is greater than the carrier counter value. Otherwise, the PWM generator outputs a 0.

Ports

Input

IsRef – Reference current

scalar

Reference current for control.

Data Types: single | double

Is – Measured current

scalar

Actual current.

Data Types: single | double

Reset — External reset

scalar

External reset signal (rising edge) for the integrator.

Data Types: single | double

Hall — Hall sensor

vector

Hall sensor data.

Data Types: single | double

Direction — Motor direction

scalar

Direction of motor rotation.

Data Types: single | double

Output**G — Gate pulses**

vector

Pulse waveforms that determine switching behavior in the attached block.

Data Types: single | double

Parameters**Control Parameters****Proportional gain — Controller proportional gain, K_p**

1 (default) | positive scalar

Proportional gain, K_p , of the controller.**Integral gain — Integral gain, K_i**

5 (default) | positive scalar

Integral gain, K_i , of the controller.**Anti-windup gain — Anti-windup gain, K_{aw}**

1 (default) | positive scalar

Anti-windup gain, K_{aw} , of the controller.**Sample time (-1 for inherited) — Block sample time**

-1 (default) | positive scalar

Time, in s, between consecutive block executions. During execution, the block produces outputs and, if appropriate, updates its internal state. For more information, see “What Is Sample Time?” and “Specify Sample Time”.

If this block is inside a triggered subsystem, inherit the sample time by setting this parameter to -1. If this block is in a continuous variable-step model, specify the sample time explicitly using a positive scalar.

Dependencies

If you set **Sample time (-1 for inherited)** to -1 and select the **Enable zero cancellation** option, the **Discretization sample time** parameter becomes visible.

Discretization sample time — Sample time for discretization

0.001 (default) | positive scalar

Time, in s, between consecutive discretizations. Discretization is required for zero cancellation.

Dependencies

This parameter is only visible when both these conditions are met:

- **Sample time** is set to -1.
- **Enable zero cancellation** is selected.

Enable zero cancellation — Feedforward zero cancellation

off (default) | on

Option to use zero cancellation on the feedforward path.

Dependencies

If you select the **Enable zero cancellation** option and set **Sample time (-1 for inherited)** to -1, the **Discretization sample time** parameter becomes visible.

PWM Generator

Carrier counter — Carrier counter model

Up (default) | Down | Up-Down

Use the carrier counter strategy to change the initial behavior of the PWM output:

- Up counter — PWM output begins at the start of the on state.
- Down counter — PWM output begins at the start of the off state.
- Up-down counter — PWM output begins in the middle of the on state.

Timer period (s) — PWM timer period

0.001 (default) | positive scalar

Pulse width modulation timer period, T_{per} , in seconds.

Fundamental sample time (s) — Sample time for PWM generation

0.0001 (default) | positive scalar

Time, in s, between consecutive PWM generator executions. During execution, the block produces PWM output and, if appropriate, updates its internal state. For more information, see “What Is Sample Time?” and “Specify Sample Time”.

To ensure adequate resolution in the generated PWM signal, set the fundamental sample time so that $0 < T_{s_pwm} \leq 10T_{per}$, where:

- T_{s_pwm} is the **Fundamental sample time (s)**.
- T_{per} is the **Timer period (s)**.

References

- [1] Stirban, A., I. Boldea, and G. D. Andreescu. "Motion-Sensorless Control of BLDC-PM Motor With Offline FEM-Information-Assisted Position and Speed Observer." *IEEE Transactions on Industry Applications*. 48, no. 6 (2012): 1950-1958.

Extended Capabilities

C/C++ Code Generation

Generate C and C++ code using Simulink® Coder™.

See Also

Blocks

BLDC Commutation Logic | BLDC Current Controller

Simscape Blocks

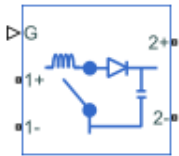
BLDC

Introduced in R2018a

Boost Converter

Controller-driven DC-DC step-up voltage regulator

Library: Simscape / Electrical / Semiconductors & Converters / Converters



Description

The Boost Converter block represents a converter that steps up DC voltage as driven by an attached controller and gate-signal generator. Boost converters are also known as step-up voltage regulators because they increase voltage magnitude.

The Boost Converter block allows you to model an asynchronous converter with one switching device or a synchronous converter with two switching devices. Options for the type of switching devices are:

- GTO — Gate turn-off thyristor. For information about the I-V characteristic of the device, see GTO.
- Ideal semiconductor switch — For information about the I-V characteristic of the device, see Ideal Semiconductor Switch.
- IGBT — Insulated-gate bipolar transistor. For information about the I-V characteristic of the device, see IGBT (Ideal, Switching).
- MOSFET — N-channel metal-oxide-semiconductor field-effect transistor. For information about the I-V characteristic of the device, see MOSFET (Ideal, Switching).
- Thyristor — For information about the I-V characteristic of the device, see Thyristor (Piecewise Linear).
- Averaged Switch.

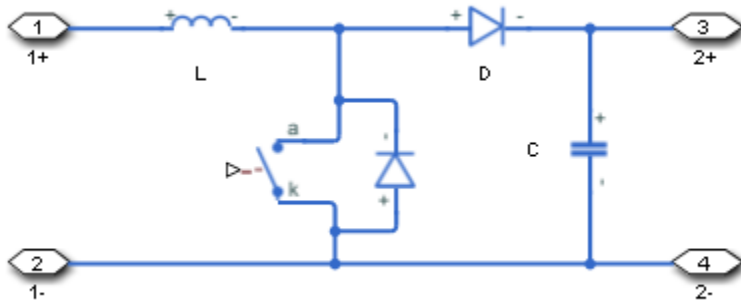
Model

There are three model variants for the block. To access the model variants, in the model window, right-click the block. From the context menu, select **Simscape > Block choices**.

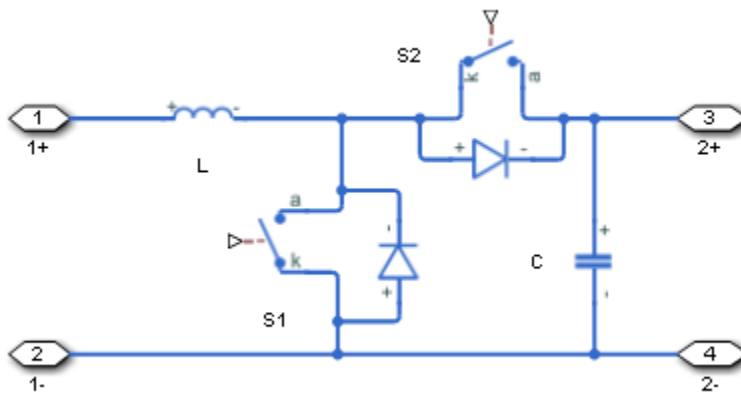
The model variants are:

- PS control port — Asynchronous converter with a physical signal port. This block choice is the default.
- Electrical control ports — Asynchronous converter with one positive and one negative electrical conserving port. To control switching device gates using Simscape Electrical blocks, select this option.
- Synchronous converter — Synchronous converter with an electrical conserving port.

The asynchronous boost converter models contain an inductor, a switching device, a diode, and an output capacitor.



The asynchronous boost converter model contains an inductor, two switching devices, and an output capacitor.



In each case, the capacitor smoothes the output voltage.

Protection

For the synchronous converter model, you can include an integral protection diodes. Integral diodes protect the semiconductor device by providing a conduction path for reverse current. An inductive load can produce a high reverse-voltage spike when the semiconductor device suddenly switches off the voltage supply to the load.

To include and configure the internal protection diodes, use the **Diode** parameters. This table shows how to set the **Model dynamics** parameter based on your goals.

Goals		Value to Select	Integral Protection Diode
Do not include protection.		None	None
Include protection.	Prioritize simulation speed.	Diode with no dynamics	The Diode block

Goals		Value to Select	Integral Protection Diode
	Prioritize model fidelity by precisely specifying reverse-mode charge dynamics.	Diode with charge dynamics	The dynamic model of the Diode block

You can also include a snubber circuit for each switching device. Snubber circuits contain a series-connected resistor and capacitor. They protect switching devices against high voltages that inductive loads produce when the device turns off the voltage supply to the load. Snubber circuits also prevent excessive rates of current change when a switching device turns on.

To include and configure a snubber circuit for each switching device, use the **Snubbers** parameters.

Gate Control

To connect gate-control voltage signals to the gate ports of the switching devices, for the:

- PS control port model:
 - 1 Convert a Simulink gate-control voltage signal to a physical signal using a Simulink-PS Converter block.
 - 2 Connect the Simulink-PS Converter block to the **G** port.
- Electrical control ports model:
 - 1 Connect a Simscape electrical-domain positive DC voltage signal to the **G+** port.
 - 2 Connect the Simscape electrical-domain negative DC voltage signal to the **G-** port.
- Synchronous converter model:
 - 1 Convert each Simulink gate-control voltage signal to a physical signal using Simulink-PS Converter blocks.
 - 2 Multiplex the converted gate-control signals into a single vector using a Two-Pulse Gate Multiplexer.
 - 3 Connect the vector signal to the **G** port.

Variables

Use the **Variables** settings to specify the priority and initial target values for the block variables before simulation. For more information, see “Set Priority and Initial Target for Block Variables”.

Ports

Input

G — Switching device gate control

physical signal | vector

Physical signal port associated with the gate terminals of the switching device.

Dependencies

This port is enabled only for the PS control port block choice.

Data Types: double

Conserving**G – Switching device gate control**

electrical | vector

Electrical conserving port associated with the gate terminals of the switching devices.

Dependencies

This port is enabled only for the Synchronous converter block choice.

Data Types: double

G+ – Switching device gate control positive terminal

electrical | scalar

Positive electrical conserving port associated with the positive gate terminal of the switching device.

Dependencies

This port is enabled only for the Electrical control ports block choice.

Data Types: double

G- – Switching device gate control negative terminal

electrical | scalar

Negative electrical conserving port associated with the negative gate terminal of the switching device.

Dependencies

This port is enabled only for the Electrical control ports block choice.

Data Types: double

1+ – Positive DC voltage 1

electrical | scalar

Electrical conserving port associated with the positive terminal of the first DC voltage.

Data Types: double

1- – Negative DC voltage 1

electrical | scalar

Electrical conserving port associated with the negative terminal of the first DC voltage.

Data Types: double

2+ – Positive DC voltage 2

electrical | scalar

Electrical conserving port associated with the positive terminal of the second DC voltage.

Data Types: double

2- — Negative DC voltage 2

electrical | scalar

Electrical conserving port associated with the negative terminal of the second DC voltage.

Data Types: double

Parameters

Switching Devices

This table shows how the visibility of **Switching Devices** parameters depends on the **Switching device** that you select. To learn how to read the table, see “Parameter Dependencies” on page A-2.

Switching Devices Parameter Dependencies

Parameters and Options					
Switching device					
<i>Ideal Semiconductor Switch</i>	<i>GTO</i>	<i>IGBT</i>	<i>MOSFET</i>	<i>Thyristor</i>	<i>Averaged Switch</i>
On-state resistance	Forward voltage	Forward voltage	Drain-source on resistance	Forward voltage	On-state resistance
Off-state conductance	On-state resistance	On-state resistance	Off-state conductance	On-state resistance	
Threshold voltage	Off-state conductance	Off-state conductance	Threshold voltage	Off-state conductance	
	Gate trigger voltage, Vgt	Threshold voltage		Gate trigger voltage, Vgt	
	Gate turn-off voltage, Vgt_off			Gate turn-off voltage, Vgt_off	
	Holding current			Holding current	

Switching device — Switch type

Ideal Semiconductor Switch (default) | *GTO* | *IGBT* | *MOSFET* | *Thyristor* | *Averaged Switch*

Switching device type for the converter. For the synchronous model, the switches are identical.

Dependencies

See the Switching Devices Parameter Dependencies table.

Forward voltage — Voltage

0.8 V (default) | scalar

For the different switching device types, the **Forward voltage** is taken as:

- GTO — Minimum voltage required across the anode and cathode block ports for the gradient of the device I-V characteristic to be $1/R_{on}$, where R_{on} is the value of **On-state resistance**

- IGBT — Minimum voltage required across the collector and emitter block ports for the gradient of the diode I-V characteristic to be $1/R_{on}$, where R_{on} is the value of **On-state resistance**
- Thyristor — Minimum voltage required for the device to turn on

Dependencies

See the Switching Devices Parameter Dependencies table.

On-state resistance — Resistance

0.001 Ohm (default) | scalar

For the different switching device types, the **On-state resistance** is taken as:

- GTO — Rate of change of voltage versus current above the forward voltage
- Ideal semiconductor switch — Anode-cathode resistance when the device is on
- IGBT — Collector-emitter resistance when the device is on
- Thyristor — Anode-cathode resistance when the device is on
- Averaged switch — Anode-cathode resistance when the device is on

Dependencies

See the Switching Devices Parameter Dependencies table.

Drain-source on resistance — Resistance

0.001 Ohm (default) | scalar

Resistance between the drain and the source, which also depends on the gate-to-source voltage.

Dependencies

See the Switching Devices Parameter Dependencies table.

Off-state conductance — Conductance

1e-5 1/Ohm (default) | scalar

Conductance when the device is off. The value must be less than $1/R$, where R is the value of **On-state resistance**.

For the different switching device types, the **On-state resistance** is taken as:

- GTO — Anode-cathode conductance
- Ideal semiconductor switch — Anode-cathode conductance
- IGBT — Collector-emitter conductance
- MOSFET — Drain-source conductance
- Thyristor — Anode-cathode conductance

Dependencies

See the Switching Devices Parameter Dependencies table.

Threshold voltage — Voltage threshold

6 V (default) | scalar

Gate voltage threshold. The device turns on when the gate voltage is above this value. For the different switching device types, the device voltage of interest is:

- Ideal semiconductor switch — Gate-emitter voltage
- IGBT — Gate-cathode voltage
- MOSFET — Gate-source voltage

Dependencies

See the Switching Devices Parameter Dependencies table.

Gate trigger voltage, V_{gt} — Voltage threshold

1 V (default) | scalar

Gate-cathode voltage threshold. The device turns on when the gate-cathode voltage is above this value.

Dependencies

See the Switching Devices Parameter Dependencies table.

Gate turn-off voltage, V_{gt_off} — Voltage threshold

-1 V (default) | scalar

Gate-cathode voltage threshold. The device turns off when the gate-cathode voltage is below this value.

Dependencies

See the Switching Devices Parameter Dependencies table.

Holding current — Current threshold

1 A (default) | scalar

Gate current threshold. The device stays on when the current is above this value, even when the gate-cathode voltage falls below the gate trigger voltage.

Dependencies

See the Switching Devices Parameter Dependencies table.

Diode

This table shows how the visibility of **Diode** parameters depends on how you configure the **Block choice**, **Model dynamics**, and **Reverse recovery time parameterization** parameters. To learn how to read this table, see “Parameter Dependencies” on page A-2.

Diode Parameter Dependencies

Parameters and Options						
Block choice						
<i>PS control port or Electrical control ports</i>				<i>Synchronous converter</i>		
Model dynamics				Model dynamics		
<i>Diode with no dynamics</i>	<i>Diode with charge dynamics</i>			<i>None</i>	<i>Diode with no dynamics</i>	<i>Diode with charge dynamics</i>
Forward voltage	Forward voltage			Forward voltage	Forward voltage	
On resistance	On resistance			On resistance	On resistance	
Off conductance	Off conductance			Off conductance	Off conductance	
	Junction capacitance				Junction capacitance	
	Peak reverse current, iRM				Peak reverse current, iRM	
	Initial forward current when measuring iRM				Initial forward current when measuring iRM	
	Rate of change of current when measuring iRM				Rate of change of current when measuring iRM	
	Reverse recovery time parameterization				Reverse recovery time parameterization	
	<i>Specify stretch factor</i>	<i>Specify reverse recovery time directly</i>	<i>Specify reverse recovery charge</i>		<i>Specify stretch factor</i>	<i>Specify reverse recovery time directly</i>
Reverse recovery time stretch factor	Reverse recovery time, trr	Reverse recovery charge, Qrr	Reverse recovery time stretch factor	Reverse recovery time, trr	Reverse recovery charge, Qrr	

Model dynamics – Diode model

Diode with no dynamics (default) | Diode with charge dynamics | None

Diode type. The options are:

- **None** — This option is not available for the asynchronous converter.
- **Diode with no dynamics** — Select this option to prioritize simulation speed using the Diode block. This option is the default for the asynchronous converter.
- **Diode with charge dynamics** — Select this option to prioritize model fidelity in terms of reverse mode charge dynamics using the commutation diode model of the Diode block.

Note If you select **Averaged Switch** for the **Switching Device** parameter in the **Switching Device** setting, this parameter is not visible and **Diode with no dynamics** is automatically selected.

Dependencies

See the Diode Parameter Dependencies table.

Forward voltage — Voltage

0.8 V (default) | scalar

Minimum voltage required across the positive and negative block ports for the gradient of the diode I-V characteristic to be $1/R_{on}$, where R_{on} is the value of **On resistance**.

On resistance — Resistance

0.001 Ohm (default) | scalar

Rate of change of voltage versus current above the **Forward voltage**.

Off conductance — Conductance

1e-5 1/Ohm (default) | scalar

Conductance of the reverse-biased diode.

Junction capacitance — Capacitance

50 nF (default) | scalar

Diode junction capacitance.

Dependencies

See the Diode Parameter Dependencies table.

Peak reverse current, i_{RM} — Current

-235 A (default) | scalar less than 0

Peak reverse current measured by an external test circuit.

Dependencies

See the Diode Parameter Dependencies table.

Initial forward current when measuring i_{RM} — Current

300 A (default) | scalar greater than 0

Initial forward current when measuring peak reverse current. This value must be greater than zero.

Dependencies

See the Diode Parameter Dependencies table.

Rate of change of current when measuring i_{RM} — Current change rate

-50 A/us (default) | scalar

Rate of change of current when measuring peak reverse current.

Dependencies

See the Diode Parameter Dependencies table.

Reverse recovery time parameterization – Recovery-time model

Specify stretch factor (default) | Specify reverse recovery time directly | Specify reverse recovery charge

Model for parameterizing the recovery time. When you select `Specify stretch factor` or `Specify reverse recovery charge`, you can specify a value that the block uses to derive the reverse recovery time.

Dependencies

See the Diode Parameter Dependencies table.

Reverse recovery time stretch factor – Stretch factor

3 (default) | scalar greater than 1

Value that the block uses to calculate **Reverse recovery time, trr**. Specifying the stretch factor is an easier way to parameterize the reverse recovery time than specifying the reverse recovery charge. The larger the value of the stretch factor, the longer it takes for the reverse recovery current to dissipate.

Dependencies

See the Diode Parameter Dependencies table.

Reverse recovery time, trr – Time

15 us (default) | scalar

Interval between the time when the current initially goes to zero (when the diode turns off) and the time when the current falls to less than 10 percent of the peak reverse current.

The value of the **Reverse recovery time, trr** parameter must be greater than the value of the **Peak reverse current, i_{RM}** parameter divided by the value of the **Rate of change of current when measuring i_{RM}** parameter.

Dependencies

See the Diode Parameter Dependencies table.

Reverse recovery charge, Q_{rr} – Charge

1500 s*uA (default) | scalar

Value that the block uses to calculate **Reverse recovery time, trr**. Use this parameter if the data sheet for your diode device specifies a value for the reverse recovery charge instead of a value for the reverse recovery time.

The reverse recovery charge is the total charge that continues to dissipate when the diode turns off.

The value must be less than $-\frac{i_{RM}^2}{2a}$,

where:

- i_{RM} is the value specified for **Peak reverse current, i_{RM}**.

- a is the value specified for **Rate of change of current when measuring iRM**.

Dependencies

See the Diode Parameter Dependencies table.

LC Parameters

Inductance — Inductance

1e-6 H (default) | positive scalar

Inductance.

Capacitance — Capacitance

1e-7 F (default) | positive scalar

Capacitance.

Capacitor effective series resistance — Capacitor resistance

1e-6 Ohm (default) | zero or positive scalar

Series resistance of the capacitor.

Snubbers

The **Snubbers** parameters tab is not visible if you set **Switching device** to Averaged Switch.

The table summarizes the **Snubbers** parameter dependencies. To learn how to read the table, see “Parameter Dependencies” on page A-2.

Snubbers Parameter Dependencies

Snubbers Parameter Dependencies	
Snubber	
None	RC Snubber
	Snubber resistance
	Snubber capacitance

Snubber — Snubber model

None (default) | RC snubber

Switching device snubber.

Dependencies

See the Snubbers Parameter Dependencies table.

Snubber resistance — Resistance

0.1 (default) | Ohm | scalar

Resistance of the switching device snubber.

Dependencies

See the Snubbers Parameter Dependencies table.

Snubber capacitance – Capacitance

1e-7 (default) | F | scalar

Capacitance of the switching device snubber.

Dependencies

See the Snubbers Parameter Dependencies table.

References

- [1] Trzynadlowski, A. M. *Introduction to Modern Power Electronics, 2nd Edition*. Hoboken, NJ: John Wiley & Sons Inc., 2010.
- [2] Han, D. and B. Sarlioglu, "Deadtime Effect on GaN-Based Synchronous Boost Converter and Analytical Model for Optimal Deadtime Selection." *IEEE Transactions on Power Electronics*. Vol. 31, Number 1, 2016, pp 601-612.

Extended Capabilities**C/C++ Code Generation**

Generate C and C++ code using Simulink® Coder™.

See Also

Average-Value DC-DC Converter | Bidirectional DC-DC Converter | Buck Converter | Buck-Boost Converter | Converter (Three-Phase) | GTO | IGBT (Ideal, Switching) | Ideal Semiconductor Switch | MOSFET (Ideal, Switching) | PWM Generator | PWM Generator (Three-phase, Two-level) | Six-Pulse Gate Multiplexer | Three-Level Converter (Three-Phase) | Thyristor (Piecewise Linear)

Topics

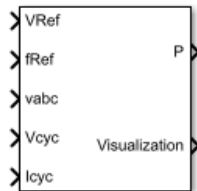
"How the Block Calculates TM and Tau" on page 1-374

Introduced in R2018a

Bridge Cycloconverter Voltage Controller (Three-Phase)

RMS Voltage PI control for three-phase bridge cycloconverters

Library: Simscape / Electrical / Control / Converter Control



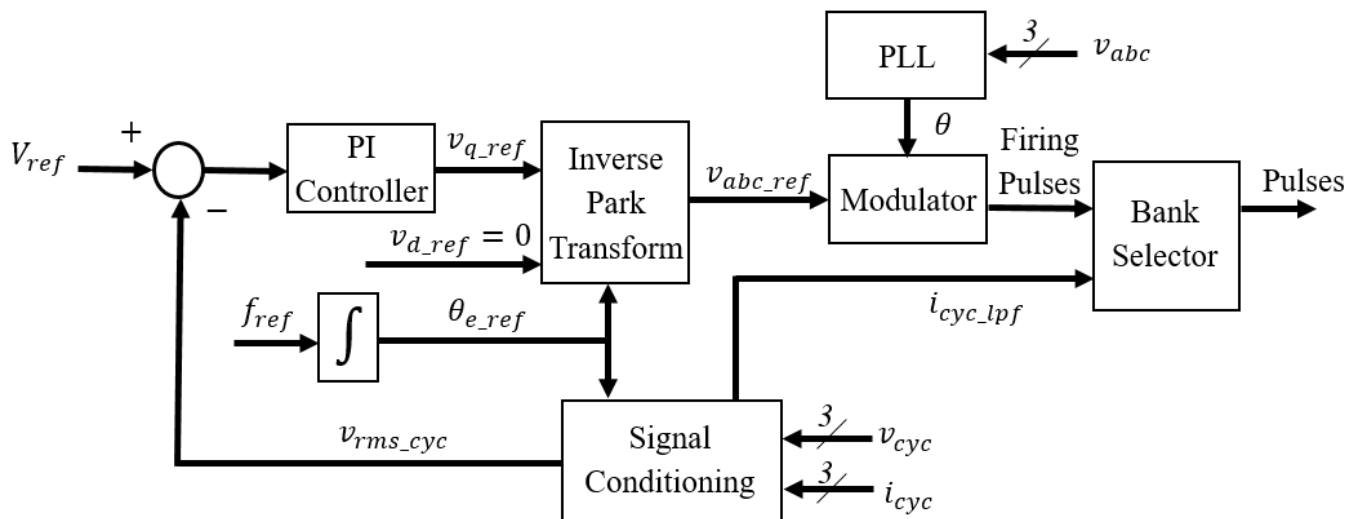
Description

The Bridge Cycloconverter Voltage Controller (Three-Phase) block implements a PI-based root-mean-square (RMS) voltage controller for three-phase bridge cycloconverters.

To convert a three-phase signal directly from a higher frequency to a lower frequency, use this block with a three-phase bridge cycloconverter. Refer to “Three-Phase Bridge Cycloconverter” for an example of such a conversion.

Operating Principle

The controller regulates the cycloconverter line-to-neutral RMS voltage to a given value and a given electrical frequency. The structure of the cycloconverter controller is illustrated in this diagram.



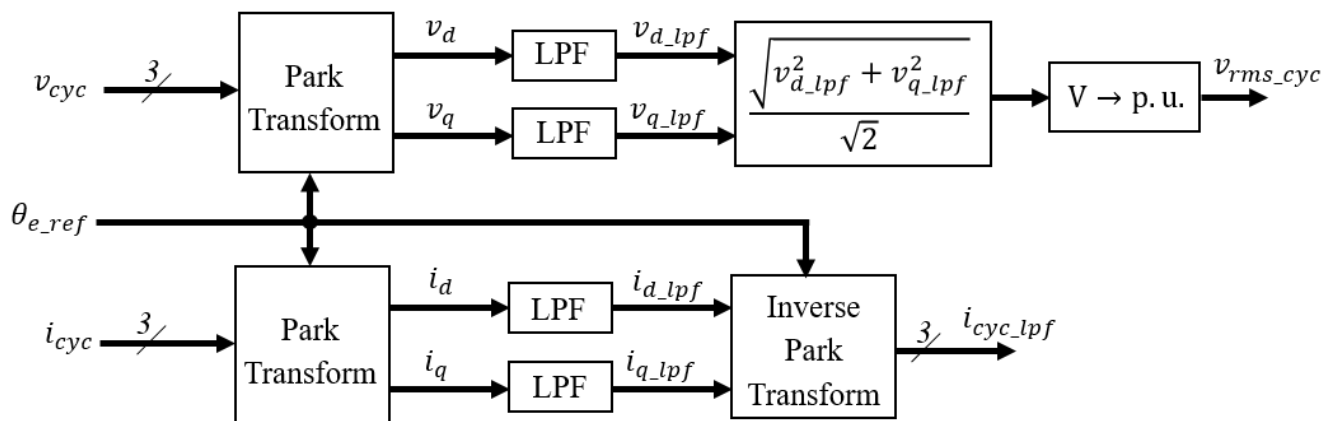
In the diagram:

- The controller integrates the desired output frequency f_{ref} to produce the reference electrical angle θ_{e_ref} .

- The Signal Conditioning block filters the cycloconverter line-to-neutral voltage v_{cyc} and current i_{cyc} to produce the per-unit RMS voltage v_{rms_cyc} and smoothed current signal i_{cyc_lpf} .
- The PI Controller generates a reference phase voltage in the q -axis from the error between the desired output RMS voltage V_{ref} and v_{rms_cyc} .
- The Inverse Park Transform block converts the reference phase voltage in $dq0$ -coordinates to a phase voltage v_{abc_ref} in abc -coordinates.
- The Sinusoidal Power Measurement (PLL, Three-Phase) block estimates the phase angle θ of the input voltage signal v_{abc} .

The Modulator and Bank Selector blocks create the 36 pulses to drive the cycloconverter using the reference phase voltage v_{abc_ref} , estimated phase angle θ , and filtered cycloconverter current i_{cyc_lpf} . To generate the firing angles, the controller uses the cosine wave crossing method.

This diagram shows the signal conditioning logic.



In the diagram:

- The Park Transform blocks convert the measured cycloconverter voltage v_{cyc} and current i_{cyc} into d - and q -axis components (v_d, v_q, i_d, i_q) using the reference electrical angle θ_{e_ref} .
- The Low-Pass Filter (LPF) blocks remove the high-frequency noise from each of the d - and q -axis voltage and currents to produce the filtered components ($v_{d_lpf}, v_{q_lpf}, i_{d_lpf}, i_{q_lpf}$).
- The block calculates the cycloconverter per-unit RMS voltage v_{rms_cyc} by taking the squared sum of the dq components, dividing by $\sqrt{2}$, and finally converting from SI to per-unit representation.
- The Inverse Park Transform converts the dq filtered current back to the abc -axis and outputs it as i_{cyc_lpf} .

The cycloconverter reference line-to-neutral rms voltage output is given in per-unit representation.

Visualization

The block outputs a bus containing six signals for visualization:

- The estimated phase angle θ of the input voltage signal v_{abc}
- The desired RMS voltage V_{ref} of the output signal

- The reference phase voltages v_{abc_ref} of the desired output signal
- The filtered line-to-neutral cycloconverter RMS voltage v_{rms_cyc}
- The filtered cycloconverter phase currents i_{cyc_lpf}
- The filtered cycloconverter phase voltages v_{cyc_lpf}

Ports

Input

VRef — Reference voltage

scalar

Reference line-to-neutral RMS voltage, expressed in per-unit representation.

Data Types: `single` | `double`

fRef — Reference frequency

scalar

Reference electrical frequency, in Hz.

Data Types: `single` | `double`

vabc — Phase voltages

vector

Measured phase voltages of the source, in V.

Data Types: `single` | `double`

Vcyc — Cycloconverter voltages

vector

Measured cycloconverter phase voltages, in V.

Data Types: `single` | `double`

Icyc — Cycloconverter currents

vector

Measured cycloconverter phase currents, in A.

Data Types: `single` | `double`

Output

P — Pulses

vector

Thyristor pulse vector to control a three-phase bridge cycloconverter.

Data Types: `single` | `double`

Visualization — Visualization bus

bus

Bus containing internal signals for visualization. For a full list of signals, refer to the “Visualization” on page 1-136 section.

Data Types: single | double

Parameters

Rated voltage (phase-to-phase RMS) — Rated RMS voltage

6000 (default) | positive number

Rated RMS voltage for per-unit conversion calculations, in V.

Loop filter proportional gain — LF proportional gain

2 (default) | positive number

Loop filter proportional gain for the phase-locked loop (PLL) estimating the phase of the input signal. This value determines the aggressiveness of the PLL in tracking and locking to the phase angle. Increase this value to improve reaction time of the tracking to step changes in the phase angle.

Loop filter integral gain — LF integral gain

20 (default) | positive number

Loop filter integral gain for the phase-locked loop (PLL) estimating the phase of the input signal. Increase this value to increase the rate at which steady-state error is eliminated in the phase angle. This value also determines the aggressiveness of the PLL in tracking and locking to the phase.

Filters time constant (s) — Time constant

1e-2 (default) | positive number

Time constant of the low-pass filters in the Signal Conditioning block of the controller. These filters reduce undesired high-frequency noise in the cycloconverter phase voltage and current measurements.

Controller proportional gain — Proportional gain

1 (default) | positive number

Proportional gain for the PI-controller that generates the reference phase voltage for the cycloconverter. Increase this value to increase the aggressiveness of the controller.

Controller integral gain — Integral gain

12 (default) | positive number

Integral gain of the PI-controller that generates the reference phase voltage for the cycloconverter. Increase this value to increase the rate at which steady-state error is eliminated in the phase voltage signal.

Controller anti-windup gain — Anti-windup gain

10 (default) | positive number

Anti-windup gain of the PI-controller that generates the reference phase voltage for the cycloconverter.

Thyristor pulse width (rad) — Pulse width

5*pi/6 (default) | positive number

Angular width of pulses sent to the cycloconverter.

Bank selector current threshold (A) – Current threshold

5 (default) | positive number

Current threshold for switching between positive and negative converters.

Pulse ordering – Pulse ordering rule

Sequential device order (default) | Natural order of commutation

Strategy used for the ordering of generated pulses.

Sample time (-1 for inherited) – Sample time

-1 (default) | positive number

Sample time for the block (-1 for inherited). If you use this block inside a triggered subsystem, set the sample time to -1. If you use this block in a continuous variable-step model, set the sample time explicitly.

References

- [1] Chen, H., M. H. Johnson, and D. C. Aliprantis. "Low-frequency AC transmission for offshore wind power." *IEEE Transactions on Power Delivery*. Vol. 28, Number 4, 2013, pp. 2236-2244.

Extended Capabilities**C/C++ Code Generation**

Generate C and C++ code using Simulink® Coder™.

See Also**Blocks**

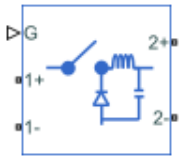
Integrator with Wrapped State (Discrete or Continuous) | Low-Pass Filter (Discrete or Continuous) | Park Transform | Sinusoidal Power Measurement (PLL, Three-Phase)

Introduced in R2017b

Buck Converter

Controller-driven DC-DC step-down voltage regulator

Library: Simscape / Electrical / Semiconductors & Converters / Converters



Description

The Buck Converter block represents a converter that steps down DC voltage as driven by an attached controller and gate-signal generator. Buck converters are also known as step-down voltage regulators because they decrease voltage magnitude.

The Buck Converter block allows you to model an asynchronous converter with one switching device or a synchronous converter with two switching devices. Options for the type of switching devices are:

- GTO — Gate turn-off thyristor. For information about the I-V characteristic of the device, see GTO.
- Ideal semiconductor switch — For information about the I-V characteristic of the device, see Ideal Semiconductor Switch.
- IGBT — Insulated-gate bipolar transistor. For information about the I-V characteristic of the device, see IGBT (Ideal, Switching).
- MOSFET — N-channel metal-oxide-semiconductor field-effect transistor. For information about the I-V characteristic of the device, see MOSFET (Ideal, Switching).
- Thyristor — For information about the I-V characteristic of the device, see Thyristor (Piecewise Linear).
- Averaged Switch.

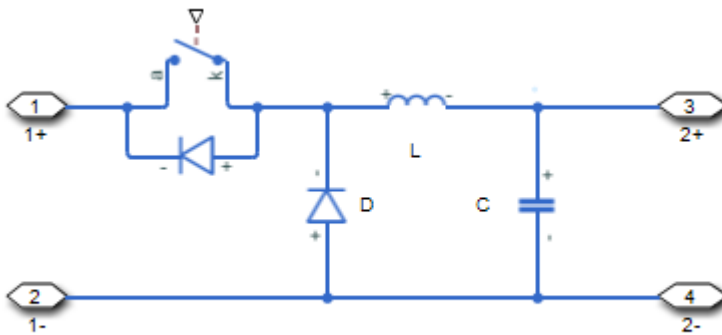
Model

There are three model variants for the block. To access the model variants, in the model window, right-click the block. From the context menu, select **Simscape > Block choices**.

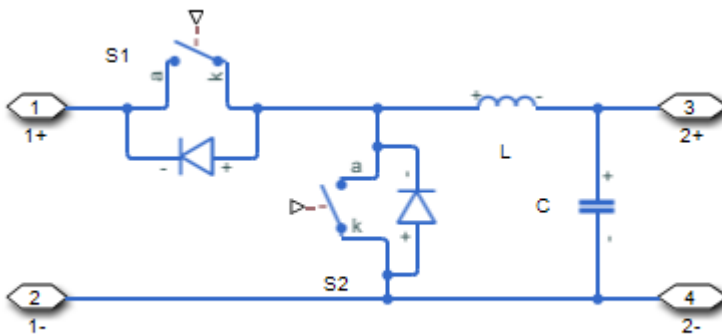
The model variants are:

- PS control port — Asynchronous converter with a physical signal port. This block choice is the default.
- Electrical control ports — Asynchronous converter with one positive and one negative electrical conserving port. To control switching device gates using Simscape Electrical blocks, select this option.
- Synchronous converter — Synchronous converter with an electrical conserving port.

The asynchronous buck converter models contain a switching device, a diode, an inductor, and an output capacitor.



The asynchronous buck converter model contains one switching device, an inductor, and an output capacitor.



In each case, the capacitor smooths the output voltage.

Protection

For the synchronous converter model, you can include an integral protection diode for the S2 switching device. An integral diode protects the semiconductor device by providing a conduction path for reverse current. An inductive load can produce a high reverse-voltage spike when the semiconductor device suddenly switches off the voltage supply to the load.

To include and configure the internal protection diode block, use the **Diode** parameters. This table shows how to set the **Model dynamics** parameter based on your goals.

Goals		Value to Select	Integral Protection Diode
Do not include protection.		None	None
Include protection.	Prioritize simulation speed.	Diode with no dynamics	The Diode block

Goals		Value to Select	Integral Protection Diode
	Prioritize model fidelity by precisely specifying reverse-mode charge dynamics.	Diode with charge dynamics	The dynamic model of the Diode block

You can also include a snubber circuit for each switching device. Snubber circuits contain a series-connected resistor and capacitor. They protect switching devices against high voltages that inductive loads produce when the device turns off the voltage supply to the load. Snubber circuits also prevent excessive rates of current change when a switching device turns on.

To include and configure a snubber circuit for each switching device, use the **Snubbers** parameters.

Gate Control

To connect gate-control voltage signals to the gate ports of the switching devices, for the:

- PS control port model:
 - 1 Convert a Simulink gate-control voltage signal to a physical signal using a Simulink-PS Converter block.
 - 2 Connect the Simulink-PS Converter block to the **G** port.
- Electrical control ports model:
 - 1 Connect a Simscape electrical-domain positive DC voltage signal to the **G+** port.
 - 2 Connect the Simscape electrical-domain negative DC voltage signal to the **G-** port.
- Synchronous converter model:
 - 1 Convert each Simulink gate-control voltage signal to a physical signal using Simulink-PS Converter blocks.
 - 2 Multiplex the converted gate-control signals into a single vector using a Two-Pulse Gate Multiplexer.
 - 3 Connect the vector signal to the **G** port.

Variables

Use the **Variables** settings to specify the priority and initial target values for the block variables before simulation. For more information, see “Set Priority and Initial Target for Block Variables”.

Ports

Input

G — Switching device gate control

physical signal | vector

Physical signal port associated with the gate terminals of the switching device.

Dependencies

This port is enabled only for the PS control port block choice.

Data Types: double

Conserving**G – Switching device gate control**

electrical | vector

Electrical conserving port associated with the gate terminals of the switching devices.

Dependencies

This port is enabled only for the Synchronous converter block choice.

Data Types: double

G+ – Switching device gate control positive terminal

electrical | scalar

Positive electrical conserving port associated with the positive gate terminal of the switching device.

Dependencies

This port is enabled only for the Electrical control ports block choice.

Data Types: double

G- – Switching device gate control negative terminal

electrical | scalar

Negative electrical conserving port associated with the negative gate terminal of the switching device.

Dependencies

This port is enabled only for the Electrical control ports block choice.

Data Types: double

1+ – Positive DC voltage 1

electrical | scalar

Electrical conserving port associated with the positive terminal of the first DC voltage.

Data Types: double

1- – Negative DC voltage 1

electrical | scalar

Electrical conserving port associated with the negative terminal of the first DC voltage.

Data Types: double

2+ – Positive DC voltage 2

electrical | scalar

Electrical conserving port associated with the positive terminal of the second DC voltage.

Data Types: double

2- — Negative DC voltage 2

electrical | scalar

Electrical conserving port associated with the negative terminal of the second DC voltage.

Data Types: double

Parameters

Switching Devices

This table shows how the visibility of **Switching Devices** parameters depends on the **Switching device** that you select. To learn how to read the table, see “Parameter Dependencies” on page A-2.

Switching Devices Parameter Dependencies

Parameters and Options					
Switching device					
<i>Ideal Semiconductor Switch</i>	<i>GTO</i>	<i>IGBT</i>	<i>MOSFET</i>	<i>Thyristor</i>	<i>Averaged Switch</i>
On-state resistance	Forward voltage	Forward voltage	Drain-source on resistance	Forward voltage	On-state resistance
Off-state conductance	On-state resistance	On-state resistance	Off-state conductance	On-state resistance	
Threshold voltage	Off-state conductance	Off-state conductance	Threshold voltage	Off-state conductance	
	Gate trigger voltage, Vgt	Threshold voltage		Gate trigger voltage, Vgt	
	Gate turn-off voltage, Vgt_off			Gate turn-off voltage, Vgt_off	
	Holding current			Holding current	

Switching device — Switch type

Ideal Semiconductor Switch (default) | GTO | IGBT | MOSFET | Thyristor | Averaged Switch

Switching device type for the converter. For the synchronous model, the switches are identical.

Dependencies

See the Switching Devices Parameter Dependencies table.

Forward voltage — Voltage

0.8 V (default) | scalar

For the different switching device types, the **Forward voltage** is taken as:

- GTO — Minimum voltage required across the anode and cathode block ports for the gradient of the device I-V characteristic to be $1/R_{on}$, where R_{on} is the value of **On-state resistance**

- IGBT — Minimum voltage required across the collector and emitter block ports for the gradient of the diode I-V characteristic to be $1/R_{on}$, where R_{on} is the value of **On-state resistance**
- Thyristor — Minimum voltage required for the device to turn on

Dependencies

See the Switching Devices Parameter Dependencies table.

On-state resistance — Resistance

0.001 Ohm (default) | scalar

For the different switching device types, the **On-state resistance** is taken as:

- GTO — Rate of change of voltage versus current above the forward voltage
- Ideal semiconductor switch — Anode-cathode resistance when the device is on
- IGBT — Collector-emitter resistance when the device is on
- Thyristor — Anode-cathode resistance when the device is on
- Averaged Switch — Anode-cathode resistance when the device is on

Dependencies

See the Switching Devices Parameter Dependencies table.

Drain-source on resistance — Resistance

0.001 Ohm (default) | scalar

Resistance between the drain and the source, which also depends on the gate-to-source voltage.

Dependencies

See the Switching Devices Parameter Dependencies table.

Off-state conductance — Conductance

1e-5 1/Ohm (default) | scalar

Conductance when the device is off. The value must be less than $1/R$, where R is the value of **On-state resistance**.

For the different switching device types, the **On-state resistance** is taken as:

- GTO — Anode-cathode conductance
- Ideal semiconductor switch — Anode-cathode conductance
- IGBT — Collector-emitter conductance
- MOSFET — Drain-source conductance
- Thyristor — Anode-cathode conductance

Dependencies

See the Switching Devices Parameter Dependencies table.

Threshold voltage — Voltage threshold

6 V (default) | scalar

Gate voltage threshold. The device turns on when the gate voltage is above this value. For the different switching device types, the device voltage of interest is:

- Ideal semiconductor switch — Gate-emitter voltage
- IGBT — Gate-cathode voltage
- MOSFET — Gate-source voltage

Dependencies

See the Switching Devices Parameter Dependencies table.

Gate trigger voltage, Vgt — Voltage threshold

1 V (default) | scalar

Gate-cathode voltage threshold. The device turns on when the gate-cathode voltage is above this value.

Dependencies

See the Switching Devices Parameter Dependencies table.

Gate turn-off voltage, Vgt_off — Voltage threshold

-1 V (default) | scalar

Gate-cathode voltage threshold. The device turns off when the gate-cathode voltage is below this value.

Dependencies

See the Switching Devices Parameter Dependencies table.

Holding current — Current threshold

1 A (default) | scalar

Gate current threshold. The device stays on when the current is above this value, even when the gate-cathode voltage falls below the gate trigger voltage.

Dependencies

See the Switching Devices Parameter Dependencies table.

Diode

This table shows how the visibility of **Diode** parameters depends on how you configure the **Block choice**, **Model dynamics**, and **Reverse recovery time parameterization** parameters. To learn how to read this table, see “Parameter Dependencies” on page A-2.

Diode Parameter Dependencies

Parameters and Options							
Block choice							
<i>PS control port or Electrical control ports</i>				<i>Synchronous converter</i>			
Model dynamics				Model dynamics			
<i>Diode with no dynamics</i>	<i>Diode with charge dynamics</i>			<i>None</i>	<i>Diode with no dynamics</i>	<i>Diode with charge dynamics</i>	
Forward voltage	Forward voltage			Forward voltage	Forward voltage		
On resistance	On resistance			On resistance	On resistance		
Off conductance	Off conductance			Off conductance	Off conductance		
	Junction capacitance				Junction capacitance		
	Peak reverse current, iRM				Peak reverse current, iRM		
	Initial forward current when measuring iRM				Initial forward current when measuring iRM		
	Rate of change of current when measuring iRM				Rate of change of current when measuring iRM		
	Reverse recovery time parameterization				Reverse recovery time parameterization		
	<i>Specify stretch factor</i>	<i>Specify reverse recovery time directly</i>	<i>Specify reverse recovery charge</i>		<i>Specify stretch factor</i>	<i>Specify reverse recovery time directly</i>	<i>Specify reverse recovery charge</i>
	Reverse recovery time stretch factor	Reverse recovery time, trr	Reverse recovery charge, Qrr		Reverse recovery time stretch factor	Reverse recovery time, trr	Reverse recovery charge, Qrr

Model dynamics — Diode model

Protection diode with no dynamics (default) | Protection diode with charge dynamics | None

Diode type. The options are:

- **None** — This option is not available for the asynchronous converter.
- **Diode with no dynamics** — Select this option to prioritize simulation speed using the Diode block. This option is the default for the asynchronous converter.

- **Diode with charge dynamics** — Select this option to prioritize model fidelity in terms of reverse mode charge dynamics using the commutation diode model of the Diode block.

Note If you select Averaged Switch for the **Switching Device** parameter in the **Switching Device** setting, this parameter is not visible and Diode with no dynamics is automatically selected.

Dependencies

See the Diode Parameter Dependencies table.

Forward voltage — Voltage

0.8 V (default) | scalar

Minimum voltage required across the positive and negative block ports for the gradient of the diode I-V characteristic to be $1/R_{on}$, where R_{on} is the value of **On resistance**.

On resistance — Resistance

0.001 Ohm (default) | scalar

Rate of change of voltage versus current above the **Forward voltage**.

Off conductance — Conductance

1e-5 1/Ohm (default) | scalar

Conductance of the reverse-biased diode.

Junction capacitance — Capacitance

50 nF (default) | scalar

Diode junction capacitance.

Dependencies

See the Diode Parameter Dependencies table.

Peak reverse current, i_{RM} — Current

-235 A (default) | scalar less than 0

Peak reverse current measured by an external test circuit.

Dependencies

See the Diode Parameter Dependencies table.

Initial forward current when measuring i_{RM} — Current

300 A (default) | scalar greater than 0

Initial forward current when measuring peak reverse current. This value must be greater than zero.

Dependencies

See the Diode Parameter Dependencies table.

Rate of change of current when measuring i_{RM} — Current change rate

-50 A/us (default) | scalar

Rate of change of current when measuring peak reverse current.

Dependencies

See the Diode Parameter Dependencies table.

Reverse recovery time parameterization — Recovery-time model

Specify stretch factor (default) | Specify reverse recovery time directly | Specify reverse recovery charge

Model for parameterizing the recovery time. When you select **Specify stretch factor** or **Specify reverse recovery charge**, you can specify a value that the block uses to derive the reverse recovery time.

Dependencies

See the Diode Parameter Dependencies table.

Reverse recovery time stretch factor — Stretch factor

3 (default) | scalar greater than 1

Value that the block uses to calculate **Reverse recovery time, trr**. Specifying the stretch factor is an easier way to parameterize the reverse recovery time than specifying the reverse recovery charge. The larger the value of the stretch factor, the longer it takes for the reverse recovery current to dissipate.

Dependencies

See the Diode Parameter Dependencies table.

Reverse recovery time, trr — Time

15 us (default) | scalar

Interval between the time when the current initially goes to zero (when the diode turns off) and the time when the current falls to less than 10 percent of the peak reverse current.

The value of the **Reverse recovery time, trr** parameter must be greater than the value of the **Peak reverse current, iRM** parameter divided by the value of the **Rate of change of current when measuring iRM** parameter.

Dependencies

See the Diode Parameter Dependencies table.

Reverse recovery charge, Qrr — Charge

1500 s*uA (default) | scalar

Value that the block uses to calculate **Reverse recovery time, trr**. Use this parameter if the data sheet for your diode device specifies a value for the reverse recovery charge instead of a value for the reverse recovery time.

The reverse recovery charge is the total charge that continues to dissipate when the diode turns off.

The value must be less than $-\frac{i_{RM}^2}{2a}$,

where:

- i_{RM} is the value specified for **Peak reverse current, i_{RM}** .
- a is the value specified for **Rate of change of current when measuring i_{RM}** .

Dependencies

See the Diode Parameter Dependencies table.

LC Filter

Inductance – Filter inductance

1e-6 H (default) | positive scalar

Inductance of the LC filter.

Capacitance – Filter capacitance

1e-7 F (default) | positive scalar

Capacitance of the LC filter.

Capacitor effective series resistance – Capacitor resistance

1e-6 Ohm (default) | zero or positive scalar

Series resistance of the capacitor.

Snubbers

The **Snubbers** parameters tab is not visible if you set **Switching device** to Averaged Switch.

The table summarizes the **Snubbers** parameter dependencies. To learn how to read the table, see “Parameter Dependencies” on page A-2.

Snubbers Parameter Dependencies

Snubbers Parameter Dependencies	
Snubber	
None	RC Snubber
	Snubber resistance
	Snubber capacitance

Snubber – Snubber model

None (default) | RC snubber

Switching device snubber.

Dependencies

See the Snubbers Parameter Dependencies table.

Snubber resistance – Resistance

0.1 (default) | Ohm | scalar

Resistance of the switching device snubber.

Dependencies

See the Snubbers Parameter Dependencies table.

Snubber capacitance — Capacitance

1e-7 (default) | F | scalar

Capacitance of the switching device snubber.

Dependencies

See the Snubbers Parameter Dependencies table.

References

- [1] Trzynadlowski, A. M. *Introduction to Modern Power Electronics, 2nd Edition*. Hoboken, NJ: John Wiley & Sons Inc., 2010.
- [2] Hedayati, M. H., P. Bharadwaj, and V. John. "Hybrid synchronous DC-DC buck power converter using Si and GaN transistors." *IEEE International Conference on Power Electronics, Drives and Energy Systems (PEDES)*. Trivandrum, India: 2016, pp 1-6.

Extended Capabilities

C/C++ Code Generation

Generate C and C++ code using Simulink® Coder™.

See Also

Average-Value DC-DC Converter | Bidirectional DC-DC Converter | Boost Converter | Buck-Boost Converter | Converter (Three-Phase) | GTO | IGBT (Ideal, Switching) | Ideal Semiconductor Switch | MOSFET (Ideal, Switching) | PWM Generator | PWM Generator (Three-phase, Two-level) | Six-Pulse Gate Multiplexer | Three-Level Converter (Three-Phase) | Thyristor (Piecewise Linear)

Topics

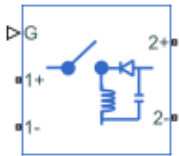
"How the Block Calculates TM and Tau" on page 1-374

Introduced in R2018a

Buck-Boost Converter

Controller-driven DC-DC inverting or four-switch step-up or step-down voltage regulator

Library: Simscape / Electrical / Semiconductors & Converters / Converters



Description

The Buck-Boost Converter block represents a DC-DC converter that can either step up or step down DC voltage from one side of the converter to the other as driven by an attached controller and gate-signal generator. Buck-boost converters are also known as step-up/step-down voltage regulators because they can increase or decrease voltage magnitude.

The block can also invert voltage so that the polarity of the output voltage is the opposite of the polarity of the input voltage. The magnitude of the output voltage depends on the duty cycle.

The Buck-Boost Converter block allows you to model an inverting buck-boost converter with one switching device or a buck-boost converter with four switching devices. Options for the type of switching devices are:

- GTO — Gate turn-off thyristor. For information about the I-V characteristic of the device, see GTO.
- Ideal semiconductor switch — For information about the I-V characteristic of the device, see Ideal Semiconductor Switch.
- IGBT — Insulated-gate bipolar transistor. For information about the I-V characteristic of the device, see IGBT (Ideal, Switching).
- MOSFET — N-channel metal-oxide-semiconductor field-effect transistor. For information about the I-V characteristic of the device, see MOSFET (Ideal, Switching).
- Thyristor — For information about the I-V characteristic of the device, see Thyristor (Piecewise Linear).
- Averaged Switch.

Model

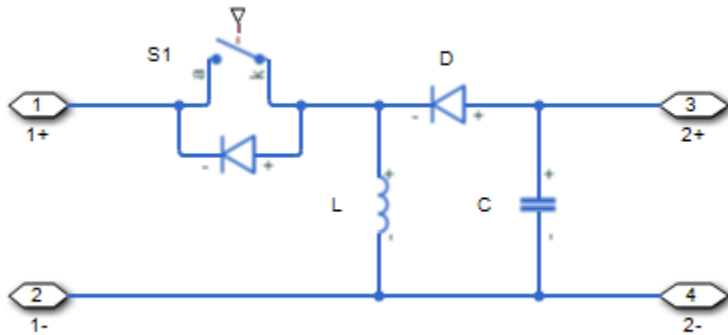
There are three model variants for the block. To access the model variants, in the model window, right-click the block. From the context menu, select **Simscape > Block choices**.

The model variants are:

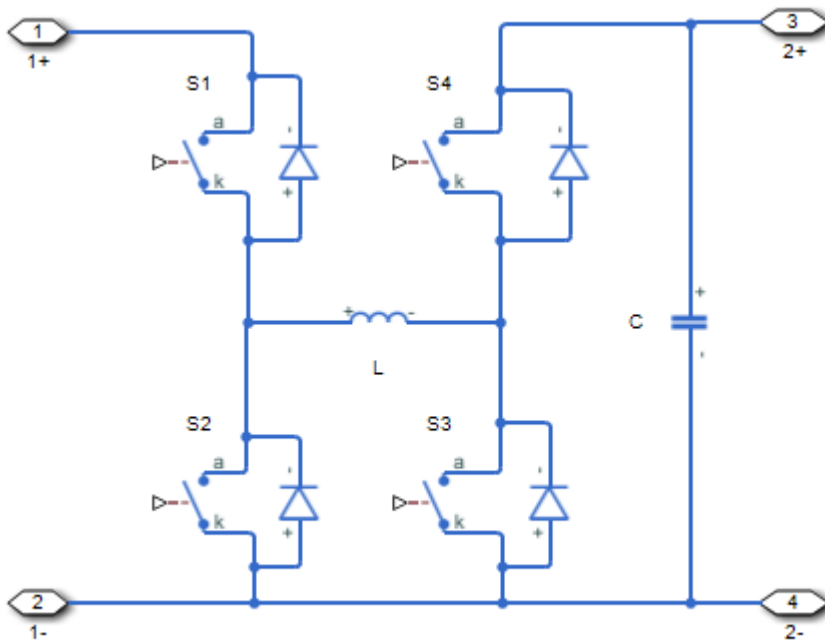
- PS control port — Inverting buck-boost converter with a physical signal port. This block choice is the default.
- Electrical control ports — Inverting buck-boost converter with one positive and one negative electrical conserving ports. To control switching device gates using Simscape Electrical blocks, select this option.

- Four-switch converter — Four-switch buck-boost converter with an electrical conserving port.

The inverting converter models contain a switching device, a diode, an inductor, and an output capacitor.



The four-switch converter model contains four switching devices, an inductor, and an output capacitor.



In each case, the capacitor smoothes the output voltage.

Protection

You can include a snubber circuit for each switching device. Snubber circuits contain a series-connected resistor and capacitor. They protect switching devices against high voltages that inductive

loads produce when the device turns off the voltage supply to the load. Snubber circuits also prevent excessive rates of current change when a switching device turns on.

To include and configure a snubber circuit for each switching device, use the **Snubbers** parameters.

Gate Control

To connect gate-control voltage signals to the gate ports of the switching devices, for the:

- PS control port model:
 - 1 Convert a Simulink gate-control voltage signal to a physical signal using a Simulink-PS Converter block.
 - 2 Connect the Simulink-PS Converter block to the **G** port.
- Electrical control ports model:
 - 1 Connect a Simscape electrical-domain positive DC voltage signal to the **G+** port.
 - 2 Connect the Simscape electrical-domain negative DC voltage signal to the **G-** port.
- Synchronous converter model:
 - 1 Convert each Simulink gate-control voltage signal to a physical signal using Simulink-PS Converter blocks.
 - 2 Multiplex the converted gate-control signals into a single vector using a Four-Pulse Gate Multiplexer
 - 3 Connect the vector signal to the **G** port.

Variables

Use the **Variables** settings to specify the priority and initial target values for the block variables before simulation. For more information, see “Set Priority and Initial Target for Block Variables”.

Ports

Input

G — Switching device gate control

physical signal | vector

Physical signal port associated with the gate terminals of the switching device.

Dependencies

This port is enabled only for the PS control port block choice.

Data Types: double

Conserving

G — Switching device gate control

electrical | vector

Electrical conserving port associated with the gate terminals of the switching devices.

Dependencies

This port is enabled only for the `Four-switch converter` block choice.

Data Types: `double`

G+ — Switching device gate control positive terminal

electrical | scalar

Positive electrical conserving port associated with the positive gate terminal of the switching device.

Dependencies

This port is enabled only for the `Electrical control ports` block choice.

Data Types: `double`

G- — Switching device gate control negative terminal

electrical | scalar

Negative electrical conserving port associated with the negative gate terminal of the switching device.

Dependencies

This port is enabled only for the `Electrical control ports` block choice.

Data Types: `double`

1+ — Positive DC voltage 1

electrical | scalar

Electrical conserving port associated with the positive terminal of the first DC voltage.

Data Types: `double`

1- — Negative DC voltage 1

electrical | scalar

Electrical conserving port associated with the negative terminal of the first DC voltage.

Data Types: `double`

2+ — Positive DC voltage 2

electrical | scalar

Electrical conserving port associated with the positive terminal of the second DC voltage.

Data Types: `double`

2- — Negative DC voltage 2

electrical | scalar

Electrical conserving port associated with the negative terminal of the second DC voltage.

Data Types: `double`

Parameters

Switching Devices

This table shows how the visibility of **Switching Devices** parameters depends on the **Switching device** that you select. To learn how to read the table, see “Parameter Dependencies” on page A-2.

Switching Devices Parameter Dependencies

Parameters and Options					
Switching device					
<i>Ideal Semiconductor Switch</i>	<i>GTO</i>	<i>IGBT</i>	<i>MOSFET</i>	<i>Thyristor</i>	<i>Averaged Switch</i>
On-state resistance	Forward voltage	Forward voltage	Drain-source on resistance	Forward voltage	On-state resistance
Off-state conductance	On-state resistance	On-state resistance	Off-state conductance	On-state resistance	
Threshold voltage	Off-state conductance	Off-state conductance	Threshold voltage	Off-state conductance	
	Gate trigger voltage, Vgt	Threshold voltage		Gate trigger voltage, Vgt	
	Gate turn-off voltage, Vgt_off			Gate turn-off voltage, Vgt_off	
	Holding current			Holding current	

Switching device – Switch type

Ideal Semiconductor Switch (default) | *GTO* | *IGBT* | *MOSFET* | *Thyristor* | *Averaged Switch*

Switching device type for the converter. For the four-switch model, the switches are identical. model.

Dependencies

See the Switching Devices Parameter Dependencies table.

Forward voltage – Voltage

0.8 V (default) | scalar

For the different switching device types, the **Forward voltage** is taken as:

- GTO — Minimum voltage required across the anode and cathode block ports for the gradient of the device I-V characteristic to be $1/R_{on}$, where R_{on} is the value of **On-state resistance**
- IGBT — Minimum voltage required across the collector and emitter block ports for the gradient of the diode I-V characteristic to be $1/R_{on}$, where R_{on} is the value of **On-state resistance**
- Thyristor — Minimum voltage required for the device to turn on

Dependencies

See the Switching Devices Parameter Dependencies table.

On-state resistance — Resistance

0.001 Ohm (default) | scalar

For the different switching device types, the **On-state resistance** is taken as:

- GTO — Rate of change of voltage versus current above the forward voltage
- Ideal semiconductor switch — Anode-cathode resistance when the device is on
- IGBT — Collector-emitter resistance when the device is on
- Thyristor — Anode-cathode resistance when the device is on
- Averaged switch — Anode-cathode resistance when the device is on

Dependencies

See the Switching Devices Parameter Dependencies table.

Drain-source on resistance — Resistance

0.001 Ohm (default) | scalar

Resistance between the drain and the source, which also depends on the gate-to-source voltage.

Dependencies

See the Switching Devices Parameter Dependencies table.

Off-state conductance — Conductance

1e-5 1/Ohm (default) | scalar

Conductance when the device is off. The value must be less than $1/R$, where R is the value of **On-state resistance**.

For the different switching device types, the **On-state resistance** is taken as:

- GTO — Anode-cathode conductance
- Ideal semiconductor switch — Anode-cathode conductance
- IGBT — Collector-emitter conductance
- MOSFET — Drain-source conductance
- Thyristor — Anode-cathode conductance

Dependencies

See the Switching Devices Parameter Dependencies table.

Threshold voltage — Voltage threshold

6 V (default) | scalar

Gate voltage threshold. The device turns on when the gate voltage is above this value. For the different switching device types, the device voltage of interest is:

- Ideal semiconductor switch — Gate-emitter voltage
- IGBT — Gate-cathode voltage
- MOSFET — Gate-source voltage

Dependencies

See the Switching Devices Parameter Dependencies table.

Gate trigger voltage, Vgt – Voltage threshold

1 V (default) | scalar

Gate-cathode voltage threshold. The device turns on when the gate-cathode voltage is above this value.

Dependencies

See the Switching Devices Parameter Dependencies table.

Gate turn-off voltage, Vgt_off – Voltage threshold

- 1 V (default) | scalar

Gate-cathode voltage threshold. The device turns off when the gate-cathode voltage is below this value.

Dependencies

See the Switching Devices Parameter Dependencies table.

Holding current – Current threshold

1 A (default) | scalar

Gate current threshold. The device stays on when the current is above this value, even when the gate-cathode voltage falls below the gate trigger voltage.

Dependencies

See the Switching Devices Parameter Dependencies table.

Diode

This table shows how the visibility of **Diode** parameters depends on how you configure the **Model dynamics** and **Reverse recovery time parameterization** parameters. To learn how to read this table, see “Parameter Dependencies” on page A-2.

Diode Parameter Dependencies

Parameters and Options			
Model dynamics			
<i>Diode with no dynamics</i>	<i>Diode with charge dynamics</i>		
Forward voltage	Forward voltage		
On resistance	On resistance		
Off conductance	Off conductance		
	Junction capacitance		
	Peak reverse current, iRM		
	Initial forward current when measuring iRM		
	Rate of change of current when measuring iRM		
	Reverse recovery time parameterization		
	<i>Specify stretch factor</i>	<i>Specify reverse recovery time directly</i>	<i>Specify reverse recovery charge</i>
Reverse recovery time stretch factor	Reverse recovery time, trr	Reverse recovery charge, Qrr	

Model dynamics – Diode model

Diode with no dynamics (default) | Diode with charge dynamics

Diode type. The options are:

- *Diode with no dynamics* — Select this option to prioritize simulation speed using the Diode block.
- *Diode with charge dynamics* — Select this option to prioritize model fidelity in terms of reverse mode charge dynamics using the commutation diode model of the Diode block.

Note If you select Averaged Switch for the **Switching Device** parameter in the **Switching Device** setting, this parameter is not visible and *Diode with no dynamics* is automatically selected.

Dependencies

See the Diode Parameter Dependencies table.

Forward voltage – Voltage

0.8 V (default) | scalar

Minimum voltage required across the positive and negative block ports for the gradient of the diode I-V characteristic to be $1/R_{on}$, where R_{on} is the value of **On resistance**.

On resistance – Resistance

0.001 Ohm (default) | scalar

Rate of change of voltage versus current above the **Forward voltage**.

Off conductance – Conductance

1e-5 1/Ohm (default) | scalar

Conductance of the reverse-biased diode.

Junction capacitance – Capacitance

50 nF (default) | scalar

Diode junction capacitance.

Dependencies

See the Diode Parameter Dependencies table.

Peak reverse current, i_{RM} – Current

-235 A (default) | scalar less than 0

Peak reverse current measured by an external test circuit.

Dependencies

See the Diode Parameter Dependencies table.

Initial forward current when measuring i_{RM} – Current

300 A (default) | scalar greater than 0

Initial forward current when measuring peak reverse current. This value must be greater than zero.

Dependencies

See the Diode Parameter Dependencies table.

Rate of change of current when measuring i_{RM} – Current change rate

-50 A/us (default) | scalar

Rate of change of current when measuring peak reverse current.

Dependencies

See the Diode Parameter Dependencies table.

Reverse recovery time parameterization – Recovery-time model

Specify stretch factor (default) | Specify reverse recovery time directly | Specify reverse recovery charge

Model for parameterizing the recovery time. When you select `Specify stretch factor` or `Specify reverse recovery charge`, you can specify a value that the block uses to derive the reverse recovery time.

Dependencies

See the Diode Parameter Dependencies table.

Reverse recovery time stretch factor – Stretch factor

3 (default) | scalar greater than 1

Value that the block uses to calculate **Reverse recovery time, t_{rr}** . Specifying the stretch factor is an easier way to parameterize the reverse recovery time than specifying the reverse recovery charge.

The larger the value of the stretch factor, the longer it takes for the reverse recovery current to dissipate.

Dependencies

See the Diode Parameter Dependencies table.

Reverse recovery time, t_{rr} – Time

15 μ s (default) | scalar

Interval between the time when the current initially goes to zero (when the diode turns off) and the time when the current falls to less than 10 percent of the peak reverse current.

The value of the **Reverse recovery time, t_{rr}** parameter must be greater than the value of the **Peak reverse current, i_{RM}** parameter divided by the value of the **Rate of change of current when measuring i_{RM}** parameter.

Dependencies

See the Diode Parameter Dependencies table.

Reverse recovery charge, Q_{rr} – Charge

1500 $\text{s} \cdot \mu\text{A}$ (default) | scalar

Value that the block uses to calculate **Reverse recovery time, t_{rr}** . Use this parameter if the data sheet for your diode device specifies a value for the reverse recovery charge instead of a value for the reverse recovery time.

The reverse recovery charge is the total charge that continues to dissipate when the diode turns off.

The value must be less than $-\frac{i_{RM}^2}{2a}$,

where:

- i_{RM} is the value specified for **Peak reverse current, i_{RM}** .
- a is the value specified for **Rate of change of current when measuring i_{RM}** .

Dependencies

See the Diode Parameter Dependencies table.

LC Parameters

Inductance – Inductance

1e-6 H (default) | positive scalar

Inductance.

Capacitance – Capacitance

1e-7 F (default) | positive scalar

Capacitance.

Capacitor effective series resistance – Capacitor resistance

1e-6 Ohm (default) | zero or positive scalar

Series resistance of the capacitor.

Snubbers

The **Snubbers** parameters tab is not visible if you set **Switching device** to Averaged Switch.

The table summarizes the **Snubbers** parameter dependencies. To learn how to read the table, see “Parameter Dependencies” on page A-2.

Snubbers Parameter Dependencies

Snubbers Parameter Dependencies	
Snubber	
None	RC Snubber
	Snubber resistance
	Snubber capacitance

Snubber — Snubber model

None (default) | RC snubber

Switching device snubber.

Dependencies

See the Snubbers Parameter Dependencies table.

Snubber resistance — Resistance

0.1 (default) | Ohm | scalar

Resistance of the switching device snubber.

Dependencies

See the Snubbers Parameter Dependencies table.

Snubber capacitance — Capacitance

1e-7 (default) | F | scalar

Capacitance of the switching device snubber.

Dependencies

See the Snubbers Parameter Dependencies table.

References

- [1] Trzynadlowski, A. M. *Introduction to Modern Power Electronics, 2nd Edition*. Hoboken, NJ: John Wiley & Sons Inc., 2010.
- [2] Xiaoyong, R., Z. Tang, X. Ruan, J. Wei and G. Hua. *Four Switch Buck-Boost Converter for Telecom DC-DC power supply applications*. Twenty-Third Annual IEEE Applied Power Electronics Conference and Exposition. Austin, TX: 2008, pp 1527-1530.

Extended Capabilities

C/C++ Code Generation

Generate C and C++ code using Simulink® Coder™.

See Also

Average-Value DC-DC Converter | Bidirectional DC-DC Converter | Boost Converter | Buck Converter | Converter | GTO | IGBT (Ideal Switching) | Ideal Semiconductor Switch | MOSFET (Ideal Switching) | PWM Generator | PWM Generator (Three-phase, Two-level) | Six-Pulse Gate Multiplexer | Three-Level Converter (Three-Phase) | Thyristor (Piecewise Linear)

Topics

“How the Block Calculates T_M and τ ” on page 1-374

Introduced in R2018a

Busbar

Load flow analysis busbar connector

Library: Simscape / Electrical / Connectors & References



Description

The Busbar block is a connector for load-flow analysis. Use this block with three-phase Simscape Electrical networks that are compatible with frequency-time simulation mode. After completing simulation, the block adds an annotation showing the voltage, phase, active power, and reactive power at each of its three-phase electrical conserving ports at the time the simulation started. For the annotation to be added, Simscape logging must be enabled.

The block will simulate in time-based simulation mode, however it will not add the annotation with initial load flow results unless the network is compatible with frequency-time simulation mode and, on the Solver Configuration block, you check `Start simulation from steady state`. However, when using time-based simulation mode, the block calculates approximate values for voltage, phase, active and reactive powers. You can view these values from Simscape logging or by exposing the optional measurement ports on the block. The level of approximation depends on how balanced the system is and on the level of harmonics present.

Ports

Output

Vt — Voltage

physical signal

Physical signal port associated with the voltage measurement. The value is reported in per-unit, i.e. phase-to-phase root mean square voltage divided by the **Rated busbar voltage (phase-to-phase RMS)**.

Dependencies

This port is visible only when, in the **Parameters** settings, the **Measurements ports** parameter is set to Yes.

ph — Phase

physical signal

Physical signal port associated with the voltage phase measurement.

Dependencies

This port is visible only when, in the **Parameters** settings, the **Measurements ports** parameter is set to Yes.

P — Active power

physical signal

Physical signal port associated with the active (real) power measurement.

Dependencies

This port is visible only when, in the **Parameters** settings, the **Number of connections** parameter is set to 2, 3, or 4 and the **Measurements ports** parameter is set to Yes.

Q — Reactive power

physical signal

Physical signal port associated with the reactive (imaginary) power measurement.

Dependencies

This port is visible only when, in the **Parameters** settings, the **Number of connections** parameter is set to 2, 3, or 4 and the **Measurements ports** parameter is set to Yes.

Conserving**~1 — Three-phase connection 1**

electrical

Composite three-phase electrical conserving port associated with the first three-phase connection.

~2 — Three-phase connection 2

electrical

Composite three-phase electrical conserving port associated with the second three-phase connection.

Dependencies

This port is visible only when, in the **Parameters** settings, the **Number of connections** parameter is set to 2, 3, or 4.

~3 — Three-phase connection 3

electrical

Composite three-phase electrical conserving port associated with the third three-phase connection..

Dependencies

This port is visible only when, in the **Parameters** settings, the **Number of connections** parameter is set to 3 or 4.

~4 — Three-phase connection 4

electrical

Composite three-phase electrical conserving port associated with the fourth three-phase connection.

Dependencies

This port is visible only when, in the **Parameters** settings, the **Number of connections** parameter is set to 4.

Parameters

Number of connections — Number of port connections

2 (default) | 1 | 3 | 4

Number of port connections that are exposed on the block.

The number of exposed ports on the block correlates to this parameter.

Rated busbar voltage (phase-to-phase RMS) — Busbar rated voltage

$\sqrt{3} * 100 / \sqrt{2}$ V (default)

Rated phase-to-phase root mean square voltage of the busbar.

Network frequency — Network frequency

60 Hz (default)

Frequency of the connected network.

Measurement ports — Measurement port exposure

No (default) | Yes

Visibility for the voltage, phase, active power, and reactive power physical signal output measurement ports.

Dependencies

Ports **Vt** and **ph** are visible only when this parameter is set to Yes.

Ports **P** and **Q** are visible only when this parameter is set to Yes and, in the **Parameters** settings, the **Number of connections** parameter is set to 2, 3, or 4.

Extended Capabilities

C/C++ Code Generation

Generate C and C++ code using Simulink® Coder™.

See Also

Load Flow Source | **Load-Flow Analysis**

Topics

“Perform a Load-Flow Analysis Using Simscape Electrical”

Introduced in R2019b

Capacitor

Linear or nonlinear capacitor with optional tolerance, operational limits and fault behavior

Library: Simscape / Electrical / Passive / Basic



Description

The Capacitor block lets you model linear, nonlinear (table-based), and frequency-dependent capacitors, including polar capacitors. Optionally, you can also model the following effects:

- “Tolerances” on page 1-168
- “Operating Limits” on page 1-169
- “Faults” on page 1-169

You can turn these modeling options on and off independently of each other. When all the additional options are turned off, the component behavior is identical to the Simscape Foundation library Capacitor block.

In its simplest form, the Capacitor block models a linear capacitor, described with the following equation:

$$I = C \frac{dV}{dt}$$

where:

- I is the current.
- C is the capacitance.
- V is the voltage.
- t is the time.

To model a nonlinear or polar capacitor, set the **Capacitance model** parameter to `Lookup table` and provide a lookup table of capacitance-voltage values:

- For polar capacitors, where this lookup table is asymmetric with respect to the applied terminal voltage, set the **Symmetric C-V table** parameter to `No - use C-V data as-is`.
- For other types of nonlinear capacitor, ensure symmetry of the capacitance with regards to the applied terminal voltage by setting the **Symmetric C-V table** parameter to `Yes - use voltage magnitude when computing C`.

To model a frequency-dependent capacitor with resistive and dielectric losses, set the **Capacitance model** parameter to `Dielectric relaxation (Debye)`. The Debye relaxation model considers a collection of noninteracting dipoles in the frequency domain. The result is in terms of a complex permittivity. The real (ϵ') and imaginary (ϵ'') parts of the complex permittivity are given by the equations:

$$\epsilon' = \epsilon_\infty + \frac{\epsilon_s - \epsilon_\infty}{1 + \omega^2\tau^2}$$

$$\epsilon'' = \frac{(\epsilon_s - \epsilon_\infty)\omega\tau}{1 + \omega^2\tau^2}$$

where ω is the radial frequency, ϵ_∞ is the real permittivity at very high frequency, ϵ_s is the real permittivity at low frequency and τ is the relaxation time constant.

In the time-domain, the characteristic equation for a capacitor in the Debye model is

$$\tau i = -q + C_s(\alpha\tau\dot{v} + v),$$

where C_s is the low-frequency capacitance, $q = Q/q_0$ is the charge, i is the current and v is the voltage across the capacitor.

Most datasheets do not provide explicit values for the complex permittivity nor for the relaxation time; however, often the dissipation factor is provided at two frequencies. The parameters τ and α may be derived from these values as described by the equations:

$$\tau = \frac{DF_1DF_2(\omega_2^2 - \omega_1^2) + \sqrt{DF_1^2DF_2^2(\omega_2^2 - \omega_1^2)^2 + 4\omega_1\omega_2(DF_2\omega_2 - DF_1\omega_1)(DF_1\omega_2 - DF_2\omega_1)}}{2\omega_1\omega_2(DF_2\omega_2 - DF_1\omega_1)}$$

$$\alpha = \frac{\omega_1\tau - DF_1}{\omega_1\tau(1 + DF_1\omega_1\tau)}$$

where ω_1 and ω_2 are two different frequencies, and DF_1 and DF_2 are the dissipation factors calculated at said frequencies, respectively.

The argument of the square root must be positive for a valid parameterization in the Debye model.

Tolerances

You can apply tolerances to the nominal value you provide for the **Capacitance** parameter. Datasheets typically provide a tolerance percentage for a given capacitor type. The table shows how the block applies tolerances and calculates capacitance based on the selected **Tolerance application** option.

Option	Capacitance Value
None – use nominal value	C
Random tolerance	Uniform distribution: $C \cdot (1 - tol + 2 \cdot tol \cdot rand)$ Gaussian distribution: $C \cdot (1 + tol \cdot randn / nSigma)$
Apply maximum tolerance value	$C \cdot (1 + tol)$
Apply minimum tolerance value	$C \cdot (1 - tol)$

In the table,

- C is the **Capacitance** parameter value, nominal capacitance.
- tol is the fractional tolerance, **Capacitance tolerance (%)** /100.

- $nSigma$ is the value you provide for the **Number of standard deviations for quoted tolerance** parameter.
- `rand` and `randn` are standard MATLAB® functions for generating uniform and normal distribution random numbers.

Note If you choose the `Random tolerance` option and you are in "Fast Restart" mode, the random tolerance value is updated on every simulation if at least one between the fractional tolerance, tol , or the **Number of standard deviations for quoted tolerance**, $nSigma$, is set to Run-time and is defined with a variable (even if you do not modify that variable).

Operating Limits

You can specify operating limits in terms of maximum working voltage and the maximum (instantaneous) power dissipation in the series resistance and in the parallel conductance of the capacitor.

For polar capacitors, you can define the working voltage range in such a way that the block provides a warning, or an error, if the polarity of the applied voltage becomes incorrect.

When an operating limit is exceeded, the block can either generate a warning or stop the simulation with an error. For more information, see "Operating Limits" on page 1-173.

Faults

Instantaneous changes in capacitor parameters are unphysical. Therefore, when the Capacitor block enters the faulted state, the capacitance, resistance, and conductance transition to their faulted values over a period of time, according to the following formula:

$$CurrentValue = FaultedValue - (FaultedValue - UnfaultedValue) \cdot \operatorname{sech}(\Delta t / \tau) \quad (1-1)$$

where:

- Δt is the time since the onset of the fault condition.
- τ is the user-defined time constant associated with the fault transition.

The block can trigger the start of fault transition:

- At a specific time
- When terminal voltage is outside the permissible voltage range for longer than a specific time interval

You can enable or disable these trigger mechanisms separately, or use them together if more than one trigger mechanism is required in a simulation. When more than one mechanism is enabled, the first mechanism to trigger the fault transition takes precedence. In other words, component fails no more than once per simulation.

You can also choose whether to issue an assertion when a fault occurs, by using the **Reporting when a fault occurs** parameter. The assertion can take the form of a warning or an error. By default, the block does not issue an assertion.

Variables

Use the **Variables** section of the block interface to set the priority and initial target values for the block variables prior to simulation. For more information, see “Set Priority and Initial Target for Block Variables”.

The **Capacitor voltage** variable lets you specify a high-priority target for the initial capacitor voltage at the start of simulation.

Ports

Conserving

+ – Positive terminal

electrical

Electrical conserving port associated with the capacitor positive voltage.

- – Negative terminal

electrical

Electrical conserving port associated with the capacitor negative voltage.

Parameters

Main

Capacitance model – Capacitor type

Constant (default) | Lookup table | Dielectric relaxation (Debye)

Select the type of capacitor:

- **Constant** — Model a linear capacitor, with nominal capacitance defined by the **Capacitance** parameter value. This is the default.
- **Lookup table** — Model a nonlinear capacitor, where the nominal capacitance value changes based on the value of applied terminal voltage.
- **Dielectric relaxation (Debye)** — Model a frequency-dependent capacitor with resistive and dielectric losses.

Capacitance — Nominal capacitance

1e-6 F (default)

The nominal capacitance value for linear capacitor, or the low-frequency capacitance in the Debye parameterization.

Dependencies

This parameter is visible only when you select **Constant** or **Dielectric relaxation (Debye)** for the **Capacitance model** parameter.

Capacitance values — Vector of capacitance values

[1e-05, 1e-06] F (default) | positive vector

The vector of capacitance values, for table lookup based on the corresponding voltage value. Capacitance values must be greater than 0. The vector length must be the same as the voltage vector length.

Dependencies

This parameter is visible only when you select `Lookup table` for the **Capacitance model** parameter.

Corresponding voltage values – Input vector of voltage values

[0, 10] V (default)

The input vector of voltage values for table-based capacitance calculation. The vector length must be greater than or equal to 2, and the values must be strictly monotonic, either increasing or decreasing.

Dependencies

This parameter is visible only when you select `Lookup table` for the **Capacitance model** parameter.

Symmetric C-V table – Table data

Yes - use voltage magnitude when computing C (default) | No - use C-V data as-is

Specify how to use the table data:

- **Yes - use voltage magnitude when computing C** — Use this option to ensure symmetry of the capacitance with regards to the applied terminal voltage. This is the default.
- **No - use C-V data as-is** — Use this option to model polar capacitors. For example, with default parameter values for table-based capacitance, applied voltage of -10 V would produce nominal capacitance of 1e-6 F. However, if you select **No - use C-V data as-is** for the **Symmetric C-V table** parameter, the resulting capacitance value is 1e-5 F, because the block uses the nearest input value for extrapolation.

Dependencies

This parameter is visible only when you select `Lookup table` for the **Capacitance model** parameter.

Frequencies for specifying dissipation factors [f1 f2] – Frequencies for dissipation factors calculation

[1, 10] kHz (default)

Frequencies at which the dissipation factors **[DF1 DF2]** are calculated, in kHz.

Dependencies

This parameter is visible only when you select `Dielectric relaxation (Debye)` for the **Capacitance model** parameter.

Dissipation factors (%) at f1 and f2 [DF1 DF2] – Dissipation factors at f1 and f2

[.8, 1.2] (default)

Ratio between the equivalent series resistance and the capacitive reactance, or the tangent of the loss angle. Dissipation factors are a common metric for capacitors.

Dependencies

This parameter is visible only when you select `Dielectric relaxation (Debye)` for the **Capacitance model** parameter.

Capacitance tolerance (%) – Capacitor tolerance

5 (default)

The capacitor tolerance as defined on the manufacturer datasheet. For table-based capacitors, this tolerance is applied to the entire table at once.

Tolerance application – Tolerance application

None – use nominal value (default) | Random tolerance | Apply maximum tolerance value | Apply minimum tolerance value

Select how to apply tolerance during simulation:

- `None – use nominal value` — The block does not apply tolerance, uses the nominal capacitance value. This is the default.
- `Random tolerance` — The block applies random offset to the capacitance value, within the tolerance value limit. You can choose `Uniform` or `Gaussian` distribution for calculating the random number by using the **Tolerance distribution** parameter.
- `Apply maximum tolerance value` — The capacitance is increased by the specified tolerance percent value.
- `Apply minimum tolerance value` — The capacitance is decreased by the specified tolerance percent value.

Tolerance distribution – Tolerance distribution type

Uniform (default) | Gaussian

Select the distribution type:

- `Uniform` — Uniform distribution. This is the default.
- `Gaussian` — Gaussian distribution.

Dependencies

This parameter is visible only when you select `Random tolerance` for the **Tolerance application** parameter.

Number of standard deviations for quoted tolerance – Number of standard deviations for quoted tolerance

4 (default)

Number of standard deviations for calculating the Gaussian random number.

Dependencies

This parameter is visible only when you select `Gaussian` for the **Tolerance distribution** parameter.

Series resistance – Series resistance

1e-6 Ohm (default)

Simulation of some circuits may require the presence of the small series resistance. Equivalent series resistance (ESR) is sometimes specified on manufacturer datasheets. If not, you can define this

resistance for a linear capacitor via the dissipation factor (DF), which is also shown on many datasheets. The relationship is $DF = 2\pi \cdot f \cdot C \cdot ESR$, where f is signal frequency. For a Debye capacitor, the **Dissipation factors (%) at f1 and f2 [DF1 DF2]** are corrected for this additional series resistance prior to computing $\tan \delta$ and $\cos \phi$.

Parallel conductance — Parallel leakage path

0 1/Ohm (default)

Parallel leakage path associated with the capacitor. For capacitors connected in series, the presence of a small parallel conductance can help with convergence.

Averaging period for power logging — Averaging period for power logging

0 s (default)

Averaging period for power logging, in s.

Note If this parameter is set to 0, the output is the instantaneous power.

Dependencies

This parameter is visible only when you select **Dielectric relaxation (Debye)** for the **Capacitance model** parameter.

Operating Limits

Enable operating limits — Enable operating limits

No (default) | Yes

Select **Yes** to enable reporting when the operational limits are exceeded. The associated parameters become visible on the **Operating Limits** tab to let you select the reporting method and specify the operating limits in terms of power and working voltage.

Reporting if operating limits exceeded — Report behavior

Warn (default) | Error

Select what happens when an operating limit is exceeded:

- **Warn** — The block issues a warning. This is the default.
- **Error** — Simulation stops with an error.

Working voltage range — Working voltage range

[-25, 25] V (default)

Range of voltage values allowed for normal block operation, specified as a vector of size 2.

Power rating — Maximum instantaneous power dissipation

1 W (default)

Maximum instantaneous power dissipation in the resistance and conductance elements associated with the capacitor.

Faults

Enable faults — Enable faults

No (default) | Yes

Select **Yes** to enable faults modeling. The associated **Faults** parameters become visible to let you select the reporting method and specify the trigger mechanism (temporal or behavioral). You can enable these trigger mechanisms separately or use them together. The default value is **No**.

Reporting when a fault occurs — Report behavior

None (default) | Warn | Error

Choose whether to issue an assertion when a fault occurs:

- **None** — The block does not issue an assertion. This is the default.
- **Warn** — The block issues a warning.
- **Error** — Simulation stops with an error.

Faulted capacitance as % of unfaulted — Faulted capacitance as % of unfaulted

100 (default)

Relative change in the capacitance when the block is in the faulted state, as compared to the unfaulted state. For table-based capacitances, the relative change is applied to all elements of the vector. The default value is 100, which means that the faulted capacitance is equal to the unfaulted capacitance.

Faulted series resistance — Faulted series resistance

1e-3 Ohm (default)

Equivalent series resistance of the capacitor when the block is in the faulted state.

Faulted parallel conductance — Faulted parallel conductance

0 (default) | 1/0hm

Parallel leakage conductance of the capacitor when the block is in the faulted state.

Fault transition time constant — Fault transition time constant

1e-3 s (default)

Time constant associated with the transition to the faulted state, as described in “Faults” on page 1-169.

Enable temporal fault trigger — Time-based fault triggering

No (default) | Yes

Select **Yes** to enable time-based fault triggering.

Simulation time for fault event — Simulation time for fault event

1 s (default)

Set the simulation time at which you want the block to start entering the fault state.

Dependencies

This parameter is visible only when you select **Yes** for the **Enable temporal fault trigger** parameter.

Enable behavioral fault trigger – Behavioral fault triggering

No (default) | Yes

Select Yes to enable behavioral fault triggering.

Permissible voltage range – Minimum and maximum permissible voltage

[-100, 100] V (default)

Specify the minimum and maximum permissible voltage. If the voltage value is outside this range for longer than the **Time to fail when exceeding voltage range** parameter value, then the block starts entering the fault state.

Dependencies

This parameter is visible only when you select Yes for the **Enable behavioral fault trigger** parameter.

Time to fail when exceeding voltage range – Time to fail when exceeding voltage range

1 s (default)

Set the maximum length of time that the voltage can be outside the permissible voltage range without triggering the fault.

Dependencies

This parameter is visible only when you select Yes for the **Enable behavioral fault trigger** parameter.

Extended Capabilities**C/C++ Code Generation**

Generate C and C++ code using Simulink® Coder™.

See Also

Fault | Inductor | Resistor

Introduced in R2016a

Cauer Thermal Model Element

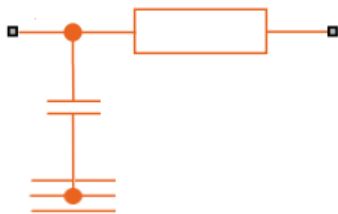
Heat transfer through an individual layer of a semiconductor module

Library: Simscape / Electrical / Passive / Thermal



Description

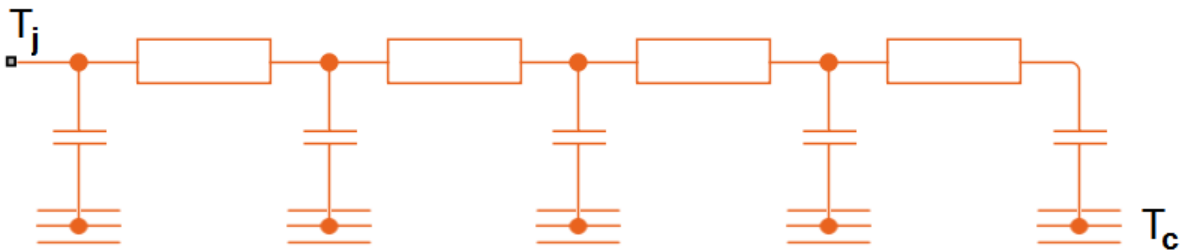
The Cauer Thermal Model Element block represents heat transfer through an individual layer of a semiconductor module. The figure shows an equivalent circuit for a Cauer Thermal Model Element block.



A Cauer thermal model represents the multiple layers that constitute the packaging of a semiconductor. Layers include chip, solder, substrate, solder, and base. Other terms that describe a Cauer thermal model are:

- Continued fraction circuit
- T model
- Ladder network

To create a Cauer thermal model, connect multiple instances of the Cauer Thermal Model Element block in series. In the figure of the Cauer thermal model, T_j is the junction temperature and T_c is the base plate temperature.



Equations

The defining equations for the Cauer Thermal Model Element block are

$$C_{thermal} = \frac{\tau}{R_{thermal}}$$

$$Q_{AB} = \frac{T_{AB}}{R_{thermal}},$$

and

$$Q_{AR} = C_{thermal} \frac{dT_{AR}}{dt},$$

where:

- $C_{thermal}$ is the thermal capacity.
- τ is the thermal time constant.
- $R_{thermal}$ is the thermal resistance.
- Q_{AB} is the heat flow through the material.
- T_{AB} is the temperature difference between the material layers.
- Q_{AR} is the heat flow through the thermal capacity.
- T_{AR} is the temperature drop across the thermal capacity.

Variables

Use the **Variables** settings to specify the priority and initial target values for the block variables before simulation. For more information, see “Set Priority and Initial Target for Block Variables”.

Unlike block parameters, variables do not have conditional visibility. The **Variables** settings include all the existing block variables. If a variable is not used in the set of equations corresponding to the selected block configuration, the values specified for this variable are ignored.

Ports

Conserving

A – First surface of the semiconductor individual layer

`thermal`

Thermal conserving port associated with the first surface of the individual layer of the semiconductor.

R – Thermal reference

`thermal`

Thermal conserving port associated with the chosen thermal reference.

B – Second surface of the semiconductor individual layer

`thermal`

Thermal conserving port associated with the second surface of the individual layer of the semiconductor.

Parameters

Thermal resistance – Thermal resistance

5e-3 K/W (default)

Thermal resistance, $R_{thermal}$.

Thermal time constant – Thermal time constant

0.1 s (default)

Thermal time constant, τ .

References

[1] Schütze, T. *AN2008-03: Thermal equivalent circuit models*. Application Note. V1.0. Germany: Infineon Technologies AG, 2008.

Extended Capabilities

C/C++ Code Generation

Generate C and C++ code using Simulink® Coder™.

See Also

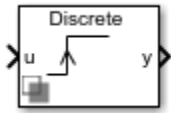
Foster Thermal Model | Thermal Resistor

Introduced in R2016a

Change Detector

Boolean signal change detector

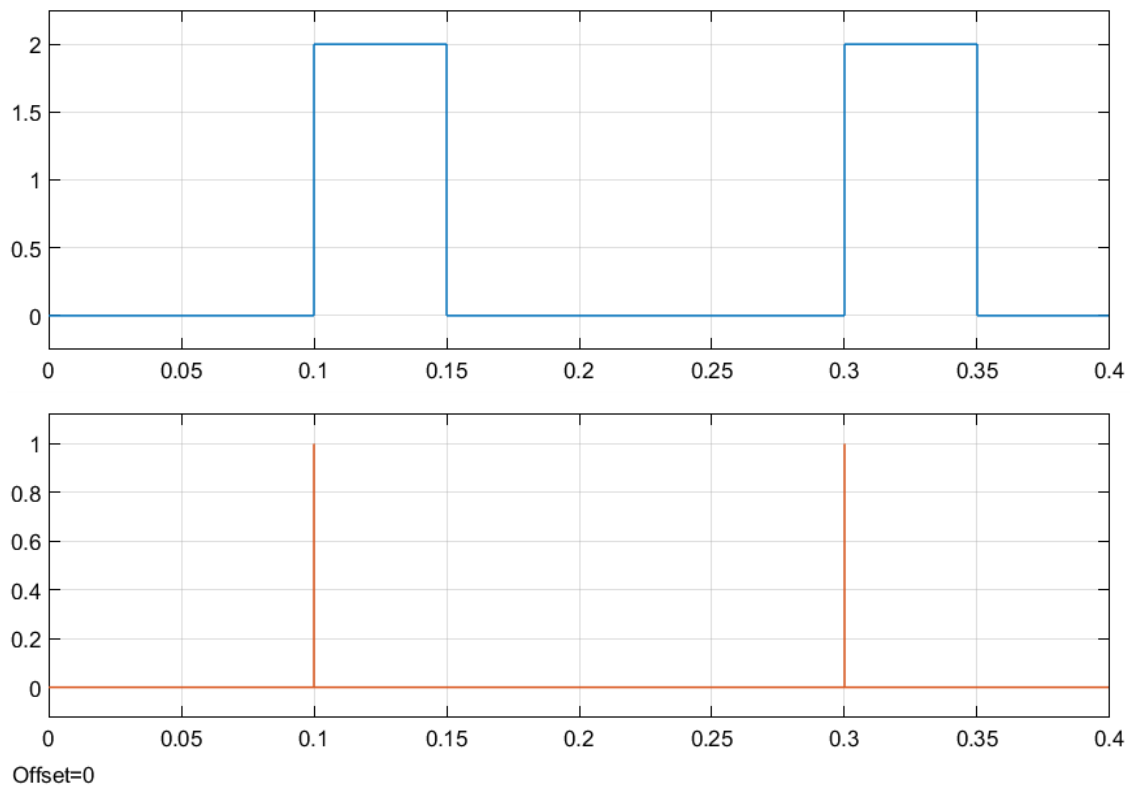
Library: Simscape / Electrical / Control / General Control



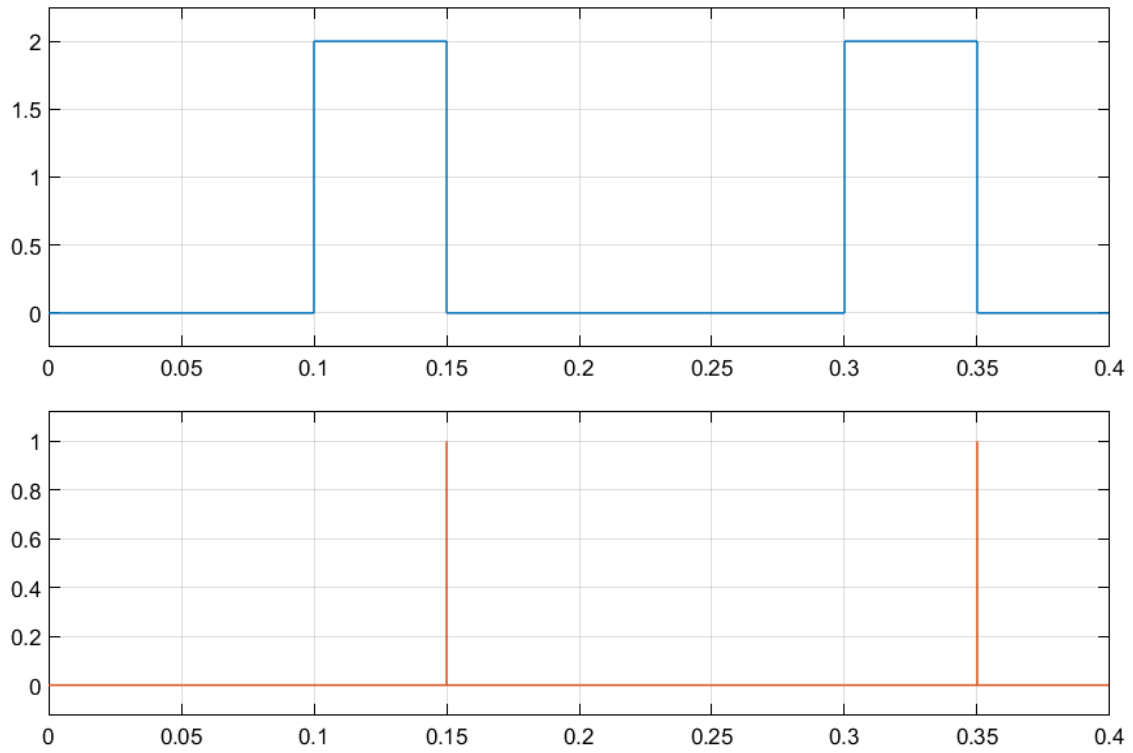
Description

The Change Detector block outputs a Boolean response of `true` when it detects a change in the Boolean input signal that meets one of these change criteria:

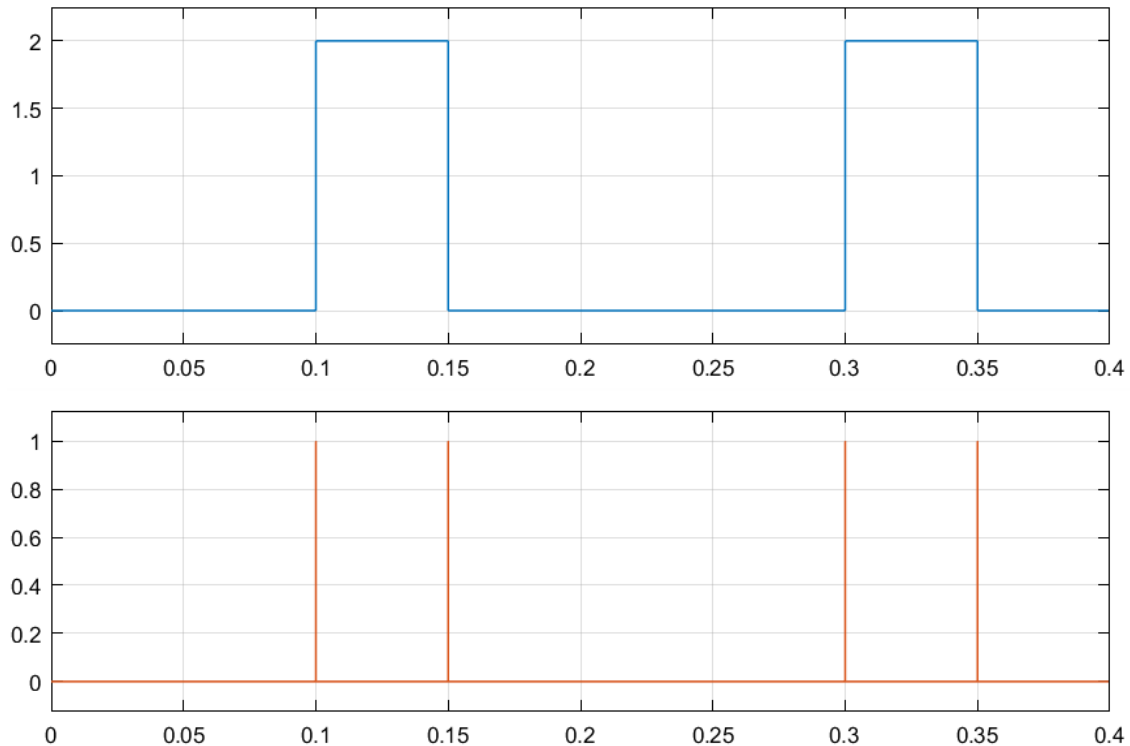
- Rising edge — The input goes from false to true.



- Falling edge — The input goes from true to false.



- Either edge — The input goes from true to false or from false to true.



Ports

Input

u — Boolean input

0 or 1

Input Boolean signal. If false, 0. If true, 1.

Data Types: Boolean

Output

y — Change report

0 or 1

Output is true, 1, when the block detects a change that corresponds to the specified criteria (rising, falling, or either edge). Otherwise, output is false, 0.

Data Types: Boolean

Parameters

Change detection — Change criteria

Rising edge (default) | Falling edge | Either edge

Criteria for change detection.

Initial condition — Initial Boolean value

0 (default) | 1

Initial value of the previous input. If the input at the start of simulation is different from the initial condition value, the block detects an edge.

Sample time (-1 for inherited) — Block sample time

-1 (default) | 0 | positive scalar

Time between consecutive block executions. During execution, the block produces outputs and, if appropriate, updates its internal state. For more information, see “What Is Sample Time?” and “Specify Sample Time”.

For inherited discrete-time operation, specify -1. For discrete-time operation, specify a positive integer. For continuous-time operation, specify 0.

If this block is in a masked subsystem, or other variant subsystem that allows you to switch between continuous operation and discrete operation, promote the sample time parameter. Promoting the sample time parameter ensures correct switching between the continuous and discrete implementations of the block. For more information, see “Promote Parameter to Mask”.

Extended Capabilities**C/C++ Code Generation**

Generate C and C++ code using Simulink® Coder™.

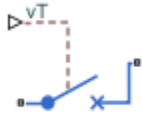
See Also

Introduced in R2018b

Circuit Breaker

Single-pole single-throw circuit breaker

Library: Simscape / Electrical / Switches & Breakers



Description

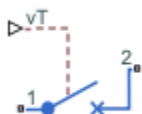
The Circuit Breaker block models a single-phase circuit breaker that uses an external signal and phase current information to break an electrical circuit.

The table shows how the external signal vT controls the block behavior.

Condition	Block Behavior	Resistance Parameter Used
$vT < \text{Threshold}$	The breaker is closed. Port 1 connects to port 2 .	Closed Resistance
$vT \geq \text{Threshold}$	When the current in port 1 goes through zero, the phase disconnects from port 2 . The breaker is open.	Open Conductance

Ports

Refer to the figure for port locations.



Input

vT — Scalar control port

physical signal

Scalar physical signal control port.

Dependencies

This port is visible only when **Block Choice** is set to PS control port.

Conserving

1 — Port 1

electrical

Electrical conserving port.

2 – Port 2

electrical

Electrical conserving port.

+ – Positive port

electrical

Positive electrical conserving port.

Dependencies

This port is visible only when **Block Choice** is set to Electrical control port.

- – Negative port

electrical

Negative electrical conserving port.

Dependencies

This port is visible only when **Block Choice** is set to Electrical control port.

Parameters**Closed resistance – Closed resistance**

0.001 Ohm (default)

Resistance between ports **1** and **2** when the breaker is closed.

Open conductance – Open conductance

1e-6 1/Ohm (default)

Conductance between ports **1** and **2** when the breaker is open.

Threshold – Threshold voltage

0.5 V (default)

Threshold voltage for the control port **vT**. The block uses the threshold voltage and the value of **vT** at the start of the simulation to determine whether the breaker is initially open or closed. When the voltage rises above the threshold, the breaker opens as its current crosses zero. When the control port voltage falls below the threshold, the breaker closes.

Extended Capabilities**C/C++ Code Generation**

Generate C and C++ code using Simulink® Coder™.

See Also

Circuit Breaker (Three-Phase) | Circuit Breaker (with arc)

Topics

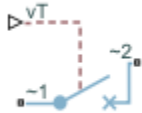
“Switch Between Physical Signal and Electrical Ports”

Introduced in R2013b

Circuit Breaker (Three-Phase)

Three-phase circuit breaker controlled by external signal

Library: Simscape / Electrical / Switches & Breakers



Description

The Circuit Breaker (Three-Phase) block models a three-phase circuit breaker that uses an external signal and phase current information to break an electrical circuit.

The table shows how the external signal **vT** controls the block behavior.

Condition	Block Behavior	Resistance Parameter Used
vT < Threshold	The breaker is closed. Each phase in the composite three-phase port ~1 connects to the corresponding phase in the port ~2 .	Closed Resistance
vT ≥ Threshold	When the current in any phase of the composite port ~1 crosses zero, the phase disconnects from the corresponding phase at port ~2 . The breaker is open.	Open Conductance

Ports

Input

vT — Scalar control port

physical signal

Scalar physical signal control port.

Dependencies

This port is visible only when **Block Choice** is set to Expanded three-phase ports | PS control port or Composite three-phase ports | PS control port.

Conserving

~1 — Expandable three-phase port

electrical

Expandable three-phase electrical conserving port.

~2 — Expandable three-phase port

electrical

Expandable three-phase electrical conserving port.

+ – Positive port

electrical

Positive electrical conserving port.

Dependencies

This port is visible only when **Block Choice** is set to Expanded three-phase ports | Electrical control port or Composite three-phase ports | Electrical control port.

- – Negative port

electrical

Negative electrical conserving port.

Dependencies

This port is visible only when **Block Choice** is set to Expanded three-phase ports | Electrical control port or Composite three-phase ports | Electrical control port.

Parameters

Closed resistance – Closed resistance

0.001 Ohm (default)

Resistance between ports ~1 and ~2 when the breaker is closed.

Open conductance – Open conductance

1e-6 1/Ohm (default)

Conductance between ports ~1 and ~2 when the breaker is open.

Threshold – Threshold voltage

0.5 V (default)

Threshold voltage for the control port **vT**. The block uses the threshold voltage and the value of **vT** at the start of the simulation to determine whether the breaker is initially open or closed. When the voltage rises above the threshold, the breaker opens each phase as its current crosses zero. When the control port voltage falls below the threshold, the breaker closes.

Extended Capabilities

C/C++ Code Generation

Generate C and C++ code using Simulink® Coder™.

See Also

Circuit Breaker | Circuit Breaker (with arc)

Topics

“Expand and Collapse Three-Phase Ports on a Block”

“Switch Between Physical Signal and Electrical Ports”

Introduced in R2013b

Circuit Breaker (with arc)

Single-pole single-throw circuit breaker with Mayr arc representation

Library: Simscape / Electrical / Switches & Breakers



Description

The Circuit Breaker (with arc) block represents a single-phase circuit breaker with Mayr arc representation controlled by an external control signal vT . If vT is less than the threshold, then the breaker is closed. If vT is greater than or equal to the threshold, then the breaker opens with an arc during the current interruption. The external signal can open and close the breaker repeatedly.

The table shows how the external signal vT controls the block behavior.

Condition	Block Behavior
$vT < \text{Threshold}$	The circuit breaker is closed. Port 1 is connected to port 2 .
$vT \geq \text{Threshold}$	The circuit breaker is either opening or open. Port 1 is connected to port 2 via a nonlinear conductance.

The Circuit Breaker (with arc) block has a higher computational overhead than the Circuit Breaker block. If the fidelity of the representation of arc current or voltage is your overriding requirement, use the Circuit Breaker (with arc) block and use a global Simulink variable-step solver. Otherwise, use the Circuit Breaker block.

Mayr Arc Model Equations

The defining equations for the breaker are

$$x = \ln(g)$$

and

$$i = gv,$$

where:

- g is the arc conductance.
- x is an internal state variable.
- v is the voltage across the breaker.
- i is the current through the breaker.

When the breaker is closed,

$$\frac{dx}{dt} = 0.$$

When the breaker is opening or open,

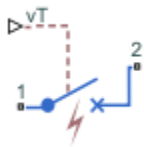
$$\frac{dx}{dt} = \frac{1}{\tau} \left(\frac{gv^2}{P} - 1 \right),$$

where:

- τ is the arc time constant.
- P is the cooling power.

Ports

Refer to the figure for port locations.



Input

vT — Scalar control port

physical signal

Scalar physical signal control port.

Dependencies

This port is visible only when **Block Choice** is set to PS control port.

Conserving

1 — Port 1

electrical

Electrical conserving port.

2 — Port 2

electrical

Electrical conserving port.

+ — Positive port

electrical

Positive electrical conserving port.

Dependencies

This port is visible only when **Block Choice** is set to Electrical control port.

- — Negative port

electrical

Negative electrical conserving port.

Dependencies

This port is visible only when **Block Choice** is set to Electrical control port.

Parameters

Arc time constant, tau — Arc time constant

0.3e-6 s (default)

Time constant for the Mayr arc..

Cooling power, P — Cooling power

30900 W (default)

Cooling power.

Initial arc conductance, g0 — Initial arc conductance

1e4 s (default)

Conductance between ports **1** and **2** when the breaker is closed.

Threshold — Threshold voltage

0.5 V (default)

Threshold voltage for the control port vT . The block uses the threshold voltage and the value of vT at the start of the simulation to determine whether the breaker is initially open or closed. When the voltage rises above the threshold, the breaker opens. When the control port voltage falls below the threshold, the breaker closes.

References

- [1] Schavemaker, P. H., and L. Van der Sluis. "The Arc Model Blockset." *Proceedings of the Second IASTED International Conference POWER AND ENERGY SYSTEMS (EuroPES)*. Crete, Greece, June 25-28, 2002, pp. 644-648.

Extended Capabilities

C/C++ Code Generation

Generate C and C++ code using Simulink® Coder™.

See Also

Circuit Breaker | Circuit Breaker (Three-Phase)

Topics

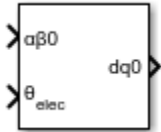
"Switch Between Physical Signal and Electrical Ports"

Introduced in R2015b

Clarke to Park Angle Transform

Implement $\alpha\beta 0$ to $dq0$ transform

Library: Simscape / Electrical / Control / Mathematical Transforms

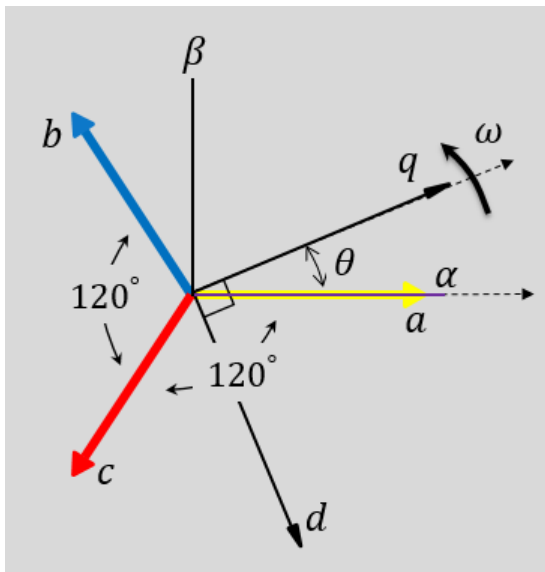


Description

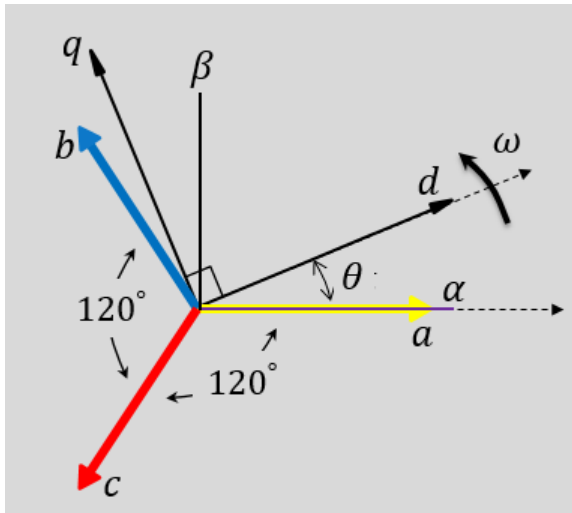
The Clarke to Park Angle Transform block converts the alpha, beta, and zero components in a stationary reference frame to direct, quadrature, and zero components in a rotating reference frame. For balanced three-phase systems, the zero components are equal to zero.

You can configure the block to align the phase a -axis of the three-phase system to either the q - or d -axis of the rotating reference frame at time, $t = 0$. The figures show the direction of the magnetic axes of the stator windings in the three-phase system, a stationary $\alpha\beta 0$ reference frame, and a rotating $dq0$ reference frame where:

- The a -axis and the q -axis are initially aligned.



- The a -axis and the d -axis are initially aligned.

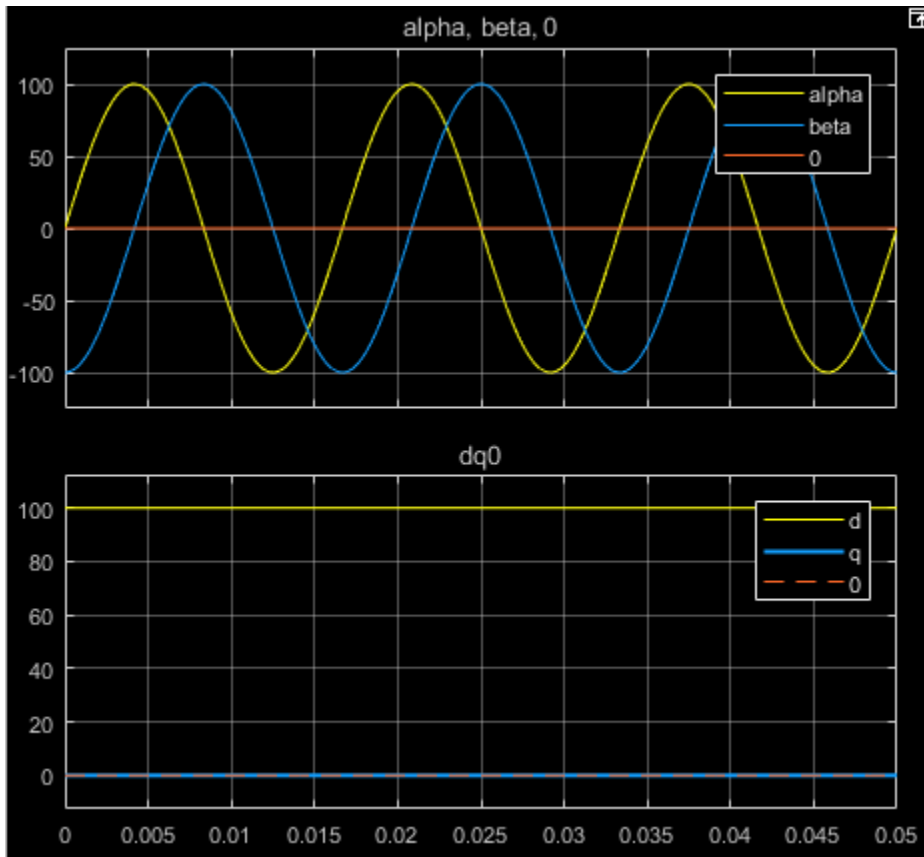


In both cases, the angle $\theta = \omega t$, where

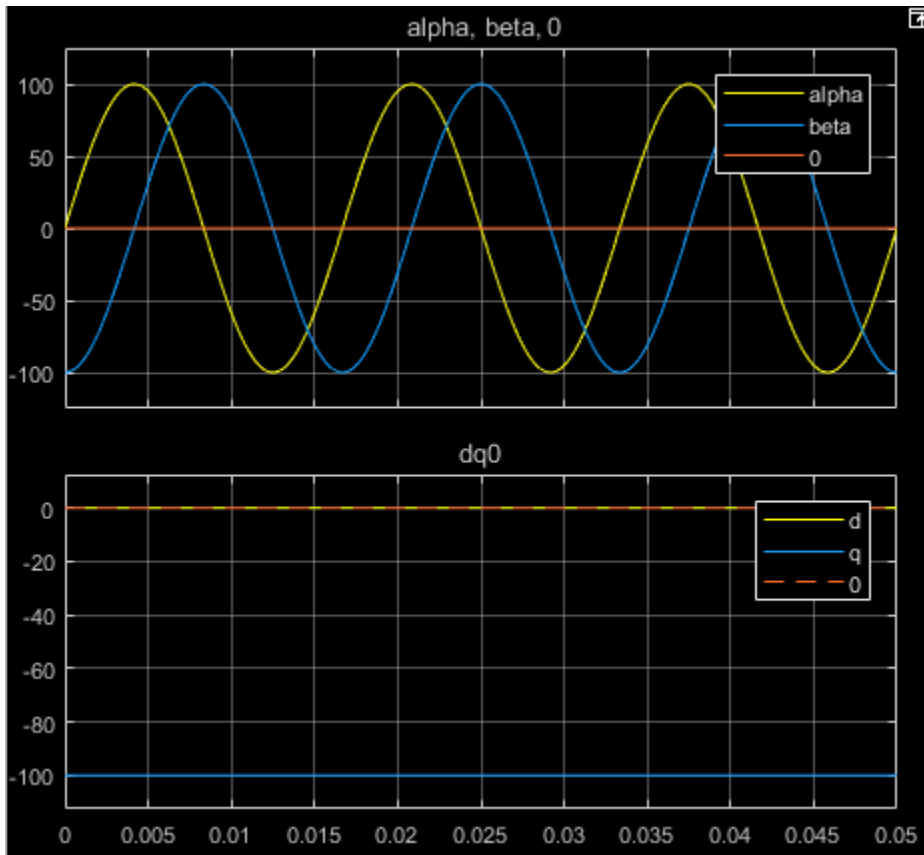
- θ is the angle between the a and q axes for the q -axis alignment or the angle between the a and d axes for the d -axis alignment.
- ω is the rotational speed of the d - q reference frame.
- t is the time, in s, from the initial alignment.

The figures show the time-response of the individual components of equivalent balanced $\alpha\beta 0$ and $dq 0$ for an:

- Alignment of the a -phase vector to the q -axis



- Alignment of the a -phase vector to the d -axis



Equations

The Clarke to Park Angle Transform block implements the transform for an α -phase to q -axis alignment as

$$\begin{bmatrix} d \\ q \\ 0 \end{bmatrix} = \begin{bmatrix} \sin(\theta) & -\cos(\theta) & 0 \\ \cos(\theta) & \sin(\theta) & 0 \\ 0 & 0 & 1 \end{bmatrix} \begin{bmatrix} \alpha \\ \beta \\ 0 \end{bmatrix}$$

where:

- α and β are the alpha-axis and beta-axis components of the two-phase system in the stationary reference frame.
- 0 is the zero component.
- d and q are the direct-axis and quadrature-axis components of the two-axis system in the rotating reference frame.

For an α -phase to d -axis alignment, the block implements the transform using this equation:

$$\begin{bmatrix} d \\ q \\ 0 \end{bmatrix} = \begin{bmatrix} \cos(\theta) & \sin(\theta) & 0 \\ -\sin(\theta) & \cos(\theta) & 0 \\ 0 & 0 & 1 \end{bmatrix} \begin{bmatrix} \alpha \\ \beta \\ 0 \end{bmatrix}$$

Ports

Input

$\alpha\beta\theta$ — α - β axis and zero components

vector

Alpha-axis, α , beta-axis, β , and zero components of the two-phase system in the stationary reference frame.

Data Types: single | double

θ_{abc} — Rotational angle

scalar | in radians

Angular position of the rotating reference frame. The value of this parameter is equal to the polar distance from the vector of the a -phase in the abc reference frame to the initially aligned axis of the $dq0$ reference frame.

Data Types: single | double

Output

$dq\theta$ — d - q axis and zero components

vector

Direct-axis and quadrature-axis components and the zero component of the system in the rotating reference frame.

Data Types: single | double

Parameters

Phase-a axis alignment — $dq0$ reference frame alignment

Q-axis (default) | D-axis

Align the a -phase vector of the abc reference frame to the d - or q -axis of the rotating reference frame.

References

- [1] Krause, P., O. Wasynczuk, S. D. Sudhoff, and S. Pekarek. *Analysis of Electric Machinery and Drive Systems*. Piscatawy, NJ: Wiley-IEEE Press, 2013.

Extended Capabilities

C/C++ Code Generation

Generate C and C++ code using Simulink® Coder™.

See Also

Blocks

Clarke Transform | Inverse Clarke Transform | Inverse Park Transform | Park Transform | Park to Clarke Angle Transform

Introduced in R2017b

Clarke Transform

Implement abc to $\alpha\beta 0$ transform

Library: Simscape / Electrical / Control / Mathematical Transforms

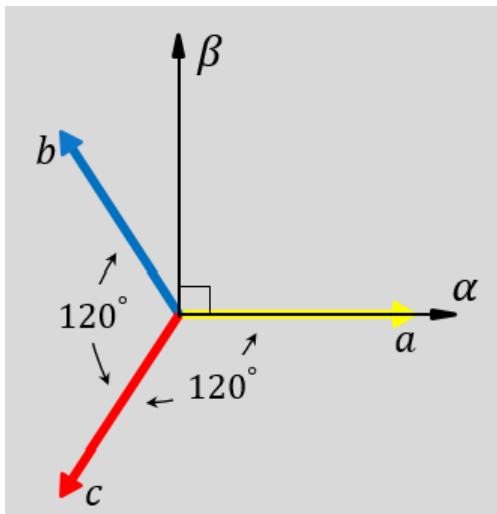


Description

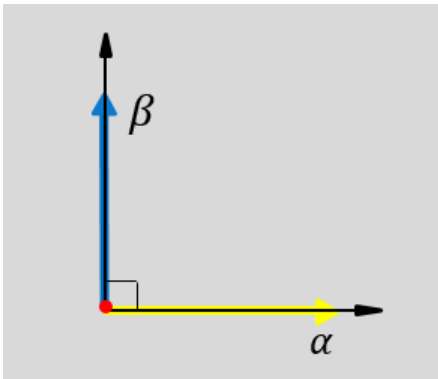
The Clarke Transform block converts the time-domain components of a three-phase system in an abc reference frame to components in a stationary $\alpha\beta 0$ reference frame. The block can preserve the active and reactive powers with the powers of the system in the abc reference frame by implementing a power invariant version of the Clarke transform. For a balanced system, the zero component is equal to zero.

The figures show:

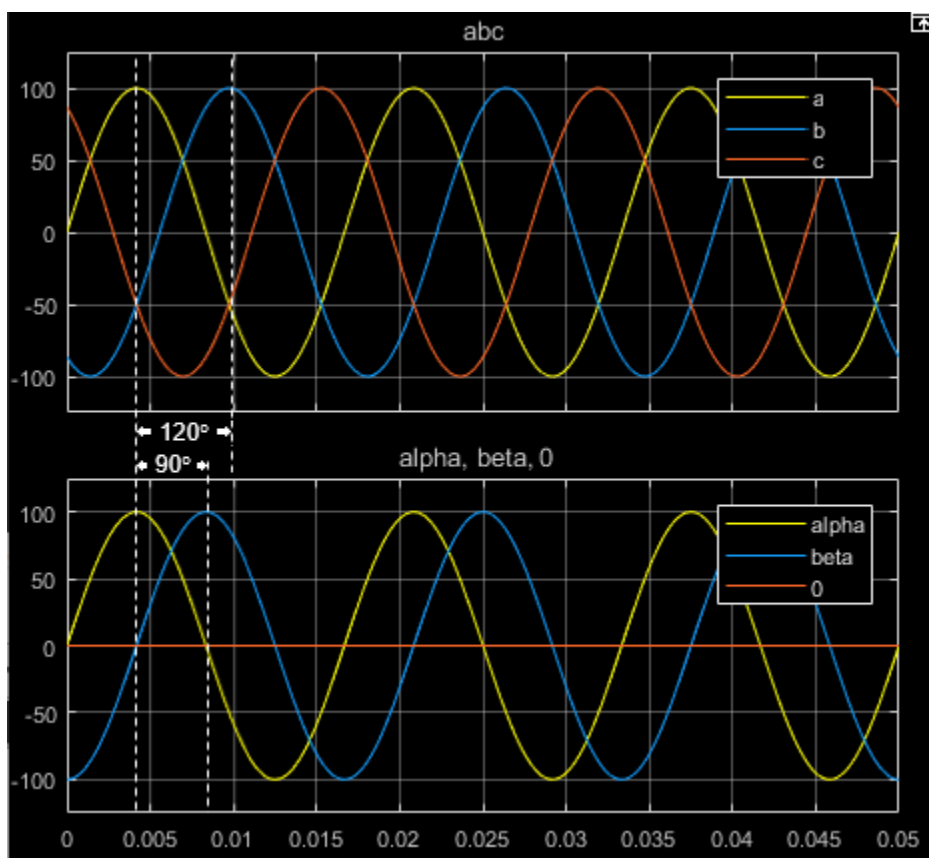
- The direction of the magnetic axes of the stator windings in the abc reference frame and the stationary $\alpha\beta 0$ reference frame



- Equivalent α , β , and zero components in the stationary reference frame



- The time-response of the individual components of equivalent balanced abc and $\alpha\beta 0$ systems



Equations

The block implements the Clarke transform as

$$\begin{bmatrix} \alpha \\ \beta \\ 0 \end{bmatrix} = \frac{2}{3} \begin{bmatrix} 1 & -\frac{1}{2} & -\frac{1}{2} \\ 0 & \frac{\sqrt{3}}{2} & -\frac{\sqrt{3}}{2} \\ \frac{1}{2} & \frac{1}{2} & \frac{1}{2} \end{bmatrix} \begin{bmatrix} a \\ b \\ c \end{bmatrix},$$

where:

- a , b , and c are the components of the three-phase system in the abc reference frame.
- α and β are the components of the two-axis system in the stationary reference frame.
- 0 is the zero component of the two-axis system in the stationary reference frame.

The block implements the power invariant version of the Clarke transform as

$$\begin{bmatrix} \alpha \\ \beta \\ 0 \end{bmatrix} = \sqrt{\frac{2}{3}} \begin{bmatrix} 1 & -\frac{1}{2} & -\frac{1}{2} \\ 0 & \frac{\sqrt{3}}{2} & -\frac{\sqrt{3}}{2} \\ \frac{\sqrt{1}}{2} & \frac{\sqrt{1}}{2} & \frac{\sqrt{1}}{2} \end{bmatrix} \begin{bmatrix} a \\ b \\ c \end{bmatrix}.$$

Ports

Input

abc — a-, b-, and c-phase components

vector

Components of the three-phase system in the abc reference frame.

Data Types: `single` | `double`

Output

$\alpha\beta 0$ — α - β axis and zero components

vector

Alpha-axis component α , beta-axis component β , and zero component in the stationary reference frame.

Data Types: `single` | `double`

Parameters

Power Invariant — Power invariant transform

`off` (default) | `on`

Preserve the active and reactive power of the system in the abc reference frame.

References

- [1] Krause, P., O. Wasynczuk, S. D. Sudhoff, and S. Pekarek. *Analysis of Electric Machinery and Drive Systems*. Piscatawy, NJ: Wiley-IEEE Press, 2013.

Extended Capabilities

C/C++ Code Generation

Generate C and C++ code using Simulink® Coder™.

See Also

Blocks

Clarke to Park Angle Transform | Inverse Clarke Transform | Inverse Park Transform | Park Transform | Park to Clarke Angle Transform

Introduced in R2017b

CMOS AND

Behavioral model of CMOS AND gate

Library: Simscape / Electrical / Integrated Circuits / Logic



Description

The CMOS AND block represents a CMOS AND logic gate behaviorally:

- The block output logic level is HIGH if the logic levels of both of the gate inputs are 1.
- The block output logic level is LOW otherwise.

The block determines the logic levels of the gate inputs as follows:

- If the gate voltage is greater than the threshold voltage, the block interprets the input as logic 1.
- Otherwise, the block interprets the input as logic 0.

The threshold voltage is the voltage value at midpoint between the **High level input voltage** parameter value and the **Low level input voltage** parameter value.

Note To improve simulation speed, the block does not model all the internal individual MOSFET devices that make up the gate. See “Assumptions and Limitations” on page 1-203 for details.

The block models the gate as follows:

- The gate inputs have infinite resistance and finite or zero capacitance.
- The gate output offers a selection of two models: **Linear** and **Quadratic**. For more information, see “Selecting the Output Model for Logic Blocks”. Use the **Output current-voltage relationship** parameter to specify the output model.
- You can specify propagation delay for both output models. For **Linear** output, the block sets the value of the gate output capacitor such that the resistor-capacitor time constant equals the **Propagation delay** parameter value. For **Quadratic** output, the gate input demand is lagged to approximate the **Propagation delay** parameter value.

The block initial conditions depend on the output model selected:

- For **Linear** model, the high initial condition corresponds to the **High level output voltage** parameter value, V_{OH} , and the low initial condition corresponds to the **Low level output voltage** parameter value, V_{OL} .
- For **Quadratic** model, the high initial condition is a value close to the **Supply voltage** parameter value, V_{CC} , and the low initial condition is close to 0.

The block output voltage depends on the output model selected:

- For **Linear** model, output high is the **High level output voltage** parameter value, and output low is the **Low level output voltage** parameter value.

- For **Quadratic** model, the output voltage for High and Low states is a function of the output current, as explained in “Quadratic Model Output and Parameters”. For zero load current, output high is V_{cc} (the **Supply voltage** parameter value), and output low is zero volts.

Voltage Plot

To access a voltage plot for each electrical port, in your model, right-click the block and, from the context menu, select **Electrical > Basic Characteristics**.

Assumptions and Limitations

The block does not model the internal individual MOSFET devices that make up the gate (except for the final MOSFET pair if you select the **Quadratic** option for the **Output current-voltage relationship** parameter). This limitation has the following implications:

- The block does not accurately model the gate's response to input noise and inputs that are around the logic threshold voltage.
- The block does not accurately model dynamic response.

Circuits that involve a feedback path around a set of logic gates may require a nonzero propagation delay to be set on one or more gates.

Ports

Conserving

A — Input port

electrical

Electrical conserving port associated with the CMOS AND input.

B — Input port

electrical

Electrical conserving port associated with the CMOS AND input.

J — Output port

electrical

Electrical conserving port associated with the CMOS AND output.

Parameters

Inputs

Low level input voltage — Low level input voltage

2 V (default)

Voltage value below which the block interprets the input voltage as logic LOW.

High level input voltage — High level input voltage

3 V (default)

Voltage value above which the block interprets the input voltage as logic HIGH.

Average input capacitance — Average input capacitance

5 pF (default)

Fixed capacitance that approximates the input capacitance for a MOSFET gate. The MOSFET capacitance depends on the applied voltage. When you drive this block with another gate, the **Average input capacitance** produces a rise time similar to that of the MOSFET. You can usually find this capacitance value on a manufacturer datasheet. Setting this value to zero may result in faster simulation times.

Outputs**Output current-voltage relationship — Output current-voltage relationship**

Linear (default) | Quadratic

Select the output model:

- Linear - This is the default value.
- Quadratic

Low level output voltage — Low level output voltage

0 V (default)

Voltage value at the output when the output logic level is LOW.

Dependencies

This parameter is visible only when you select Linear for the **Output current-voltage relationship** parameter.

High level output voltage — High level output voltage

5 V (default)

Voltage value at the output when the output logic level is HIGH.

Dependencies

This parameter is visible only when you select Linear for the **Output current-voltage relationship** parameter.

Output resistance — Output resistance

25 Ohm (default)

Value of the series output resistor that is used to model the drop in output voltage resulting from the output current. You can derive this value from a datasheet by dividing the high-level output voltage by the maximum low-level output current.

Dependencies

This parameter is visible only when you select Linear for the **Output current-voltage relationship** parameter.

Supply voltage — Supply voltage

5 V (default)

Supply voltage value applied to the gate in your circuit.

Dependencies

This parameter is visible only when you select Quadratic for the **Output current-voltage relationship** parameter.

Measurement voltage — Measurement voltage

5 V (default)

The gate supply voltage for which mask data output resistances and currents are defined.

Dependencies

This parameter is visible only when you select Quadratic for the **Output current-voltage relationship** parameter.

Logic HIGH output resistance at zero current and at I_{OH} — Logic HIGH output resistance at zero current and at I_{OH}

[25, 250] Ohm

A row vector [R_{OH1} R_{OH2}] of two resistance values. The first value R_{OH1} is the gradient of the output voltage-current relationship when the gate is logic HIGH and there is no output current. The second value R_{OH2} is the gradient of the output voltage-current relationship when the gate is logic HIGH and the output current is I_{OH} .

Dependencies

This parameter is visible only when you select Quadratic for the **Output current-voltage relationship** parameter.

Logic HIGH output current I_{OH} when shorted to ground — Logic HIGH output current I_{OH} when shorted to ground

63 mA (default)

The resulting current when the gate is in the logic HIGH state, but the load forces the output voltage to zero.

Dependencies

This parameter is visible only when you select Quadratic for the **Output current-voltage relationship** parameter.

Logic LOW output resistance at zero current and at I_{OL} — Logic LOW output resistance at zero current and at I_{OL}

[30, 800] Ohm (default)

A row vector [R_{OL1} R_{OL2}] of two resistance values. The first value R_{OL1} is the gradient of the output voltage-current relationship when the gate is logic LOW and there is no output current. The second value R_{OL2} is the gradient of the output voltage-current relationship when the gate is logic LOW and the output current is I_{OL} .

Dependencies

This parameter is visible only when you select Quadratic for the **Output current-voltage relationship** parameter.

Logic LOW output current I_{OL} when shorted to V_{cc} — Logic LOW output current I_{OL} when shorted to V_{cc}

-45 mA (default)

The resulting current when the gate is in the logic LOW state, but the load forces the output voltage to the supply voltage V_{cc}.

Dependencies

This parameter is visible only when you select Quadratic for the **Output current-voltage relationship** parameter.

Propagation delay — Propagation delay

25 ns (default)

Time it takes for the output to swing from LOW to HIGH or HIGH to LOW after the input logic levels change.

Protection diode on resistance — Protection diode on resistance

5 Ohm (default)

The gradient of the voltage-current relationship for the protection diodes when forward biased.

Dependencies

This parameter is visible only when you select Quadratic for the **Output current-voltage relationship** parameter.

Protection diode forward voltage — Protection diode forward voltage

0.6 V (default)

The voltage above which the protection diode is turned on.

Dependencies

This parameter is visible only when you select Quadratic for the **Output current-voltage relationship** parameter.

Initial Conditions**Output initial state — Output initial state**

Low (default) | High

Specify whether the initial output state of the block is High or Low. This parameter is used for both linear and quadratic output states, provided that the **Propagation delay** parameter is greater than zero and the Solver Configuration block does not have the **Start simulation from steady state** option selected.

Extended Capabilities**C/C++ Code Generation**

Generate C and C++ code using Simulink® Coder™.

See Also

CMOS AND | CMOS Buffer | CMOS NAND | CMOS NOR | CMOS NOT | CMOS OR | CMOS XOR | S-R Latch | Schmitt Trigger

Introduced in R2008b

CMOS Buffer

Behavioral model of CMOS Buffer gate

Library: Simscape / Electrical / Integrated Circuits / Logic



Description

The CMOS Buffer block represents a CMOS Buffer logic gate behaviorally:

- The block output logic level is HIGH if the logic level of the gate input is 1.
- The block output logic level is LOW otherwise.

The block determines the logic levels of the gate inputs as follows:

- If the gate voltage is greater than the threshold voltage, the block interprets the input as logic 1.
- Otherwise, the block interprets the input as logic 0.

The threshold voltage is the voltage value at midpoint between the **High level input voltage** parameter value and the **Low level input voltage** parameter value.

Note To improve simulation speed, the block does not model all the internal individual MOSFET devices that make up the gate. See “Assumptions and Limitations” on page 1-209 for details.

The block models the gate as follows:

- The gate inputs have infinite resistance and finite or zero capacitance.
- The gate output offers a selection of two models: **Linear** and **Quadratic**. For more information, see “Selecting the Output Model for Logic Blocks”. Use the **Output current-voltage relationship** parameter to specify the output model.
- You can specify propagation delay for both output models. For **Linear** output, the block sets the value of the gate output capacitor such that the resistor-capacitor time constant equals the **Propagation delay** parameter value. For **Quadratic** output, the gate input demand is lagged to approximate the **Propagation delay** parameter value.

The block initial conditions depend on the output model selected:

- For **Linear** model, the high initial condition corresponds to the **High level output voltage** parameter value, V_{OH} , and the low initial condition corresponds to the **Low level output voltage** parameter value, V_{OL} .
- For **Quadratic** model, the high initial condition is a value close to the **Supply voltage** parameter value, V_{CC} , and the low initial condition is close to 0.

The block output voltage depends on the output model selected:

- For **Linear** model, output high is the **High level output voltage** parameter value, and output low is the **Low level output voltage** parameter value.
- For **Quadratic** model, the output voltage for High and Low states is a function of the output current, as explained in “Quadratic Model Output and Parameters”. For zero load current, output high is V_{cc} (the **Supply voltage** parameter value), and output low is zero volts.

Assumptions and Limitations

The block does not model the internal individual MOSFET devices that make up the gate (except for the final MOSFET pair if you select the **Quadratic** option for the **Output current-voltage relationship** parameter). This limitation has the following implications:

- The block does not accurately model the gate's response to input noise and inputs that are around the logic threshold voltage.
- The block does not accurately model dynamic response.

Circuits that involve a feedback path around a set of logic gates may require a nonzero propagation delay to be set on one or more gates.

Ports

Conserving

A — Input port

electrical

Electrical conserving port associated with the CMOS Buffer input.

J — Output port

electrical

Electrical conserving port associated with the CMOS Buffer output.

Parameters

Inputs

Low level input voltage — Low level input voltage

2 V (default)

Voltage value below which the block interprets the input voltage as logic LOW.

High level input voltage — High level input voltage

3 V (default)

Voltage value above which the block interprets the input voltage as logic HIGH.

Average input capacitance — Average input capacitance

5 pF (default)

Fixed capacitance that approximates the input capacitance for a MOSFET gate. The MOSFET capacitance depends on the applied voltage. When you drive this block with another gate, the

Average input capacitance produces a rise time similar to that of the MOSFET. You can usually find this capacitance value on a manufacturer datasheet. Setting this value to zero may result in faster simulation times.

Outputs

Output current-voltage relationship – Output current-voltage relationship

Linear (default) | Quadratic

Select the output model:

- Linear - This is the default value.
- Quadratic

Low level output voltage – Low level output voltage

0 V (default)

Voltage value at the output when the output logic level is LOW.

Dependencies

This parameter is visible only when you select Linear for the **Output current-voltage relationship** parameter.

High level output voltage – High level output voltage

5 V (default)

Voltage value at the output when the output logic level is HIGH.

Dependencies

This parameter is visible only when you select Linear for the **Output current-voltage relationship** parameter.

Output resistance – Output resistance

25 Ohm (default)

Value of the series output resistor that is used to model the drop in output voltage resulting from the output current. You can derive this value from a datasheet by dividing the high-level output voltage by the maximum low-level output current.

Dependencies

This parameter is visible only when you select Linear for the **Output current-voltage relationship** parameter.

Supply voltage – Supply voltage

5 V (default)

Supply voltage value applied to the gate in your circuit.

Dependencies

This parameter is visible only when you select Quadratic for the **Output current-voltage relationship** parameter.

Measurement voltage — Measurement voltage

5 V (default)

The gate supply voltage for which mask data output resistances and currents are defined.

Dependencies

This parameter is visible only when you select Quadratic for the **Output current-voltage relationship** parameter.

Logic HIGH output resistance at zero current and at I_{OH} — Logic HIGH output resistance at zero current and at I_{OH}

[25, 250] Ohm

A row vector [R_{OH1} R_{OH2}] of two resistance values. The first value R_{OH1} is the gradient of the output voltage-current relationship when the gate is logic HIGH and there is no output current. The second value R_{OH2} is the gradient of the output voltage-current relationship when the gate is logic HIGH and the output current is I_{OH} .

Dependencies

This parameter is visible only when you select Quadratic for the **Output current-voltage relationship** parameter.

Logic HIGH output current I_{OH} when shorted to ground — Logic HIGH output current I_{OH} when shorted to ground

63 mA (default)

The resulting current when the gate is in the logic HIGH state, but the load forces the output voltage to zero.

Dependencies

This parameter is visible only when you select Quadratic for the **Output current-voltage relationship** parameter.

Logic LOW output resistance at zero current and at I_{OL} — Logic LOW output resistance at zero current and at I_{OL}

[30, 800] Ohm (default)

A row vector [R_{OL1} R_{OL2}] of two resistance values. The first value R_{OL1} is the gradient of the output voltage-current relationship when the gate is logic LOW and there is no output current. The second value R_{OL2} is the gradient of the output voltage-current relationship when the gate is logic LOW and the output current is I_{OL} .

Dependencies

This parameter is visible only when you select Quadratic for the **Output current-voltage relationship** parameter.

Logic LOW output current I_{OL} when shorted to V_{cc} — Logic LOW output current I_{OL} when shorted to V_{cc}

-45 mA (default)

The resulting current when the gate is in the logic LOW state, but the load forces the output voltage to the supply voltage V_{cc} .

Dependencies

This parameter is visible only when you select Quadratic for the **Output current-voltage relationship** parameter.

Propagation delay — Propagation delay

25 ns (default)

Time it takes for the output to swing from LOW to HIGH or HIGH to LOW after the input logic levels change.

Protection diode on resistance — Protection diode on resistance

5 Ohm (default)

The gradient of the voltage-current relationship for the protection diodes when forward biased.

Dependencies

This parameter is visible only when you select Quadratic for the **Output current-voltage relationship** parameter.

Protection diode forward voltage — Protection diode forward voltage

0.6 V (default)

The voltage above which the protection diode is turned on.

Dependencies

This parameter is visible only when you select Quadratic for the **Output current-voltage relationship** parameter.

Initial Conditions**Output initial state — Output initial state**

Low (default) | High

Specify whether the initial output state of the block is High or Low. This parameter is used for both linear and quadratic output states, provided that the **Propagation delay** parameter is greater than zero and the Solver Configuration block does not have the **Start simulation from steady state** option selected.

Extended Capabilities**C/C++ Code Generation**

Generate C and C++ code using Simulink® Coder™.

See Also

CMOS AND | CMOS NAND | CMOS NOR | CMOS NOT | CMOS OR | CMOS XOR | S-R Latch | Schmitt Trigger

Introduced in R2008b

CMOS NAND

Behavioral model of CMOS NAND gate

Library: Simscape / Electrical / Integrated Circuits / Logic



Description

The CMOS NAND block represents a CMOS NAND logic gate behaviorally:

- The block output logic level is **HIGH** if the logic levels of both of the gate inputs are 0.
- The block output logic level is **LOW** otherwise.

The block determines the logic levels of the gate inputs as follows:

- If the gate voltage is greater than the threshold voltage, the block interprets the input as logic 1.
- Otherwise, the block interprets the input as logic 0.

The threshold voltage is the voltage value at midpoint between the **High level input voltage** parameter value and the **Low level input voltage** parameter value.

Note To improve simulation speed, the block does not model all the internal individual MOSFET devices that make up the gate. See “Assumptions and Limitations” on page 1-214 for details.

The block models the gate as follows:

- The gate inputs have infinite resistance and finite or zero capacitance.
- The gate output offers a selection of two models: **Linear** and **Quadratic**. For more information, see “Selecting the Output Model for Logic Blocks”. Use the **Output current-voltage relationship** parameter to specify the output model.
- You can specify propagation delay for both output models. For **Linear** output, the block sets the value of the gate output capacitor such that the resistor-capacitor time constant equals the **Propagation delay** parameter value. For **Quadratic** output, the gate input demand is lagged to approximate the **Propagation delay** parameter value.

The block initial conditions depend on the output model selected:

- For **Linear** model, the high initial condition corresponds to the **High level output voltage** parameter value, V_{OH} , and the low initial condition corresponds to the **Low level output voltage** parameter value, V_{OL} .
- For **Quadratic** model, the high initial condition is a value close to the **Supply voltage** parameter value, V_{CC} , and the low initial condition is close to 0.

The block output voltage depends on the output model selected:

- For **Linear** model, output high is the **High level output voltage** parameter value, and output low is the **Low level output voltage** parameter value.

- For **Quadratic** model, the output voltage for High and Low states is a function of the output current, as explained in “Quadratic Model Output and Parameters”. For zero load current, output high is V_{cc} (the **Supply voltage** parameter value), and output low is zero volts.

Voltage Plot

To access a voltage plot for each electrical port, in your model, right-click the block and, from the context menu, select **Electrical > Basic Characteristics**.

Assumptions and Limitations

The block does not model the internal individual MOSFET devices that make up the gate (except for the final MOSFET pair if you select the **Quadratic** option for the **Output current-voltage relationship** parameter). This limitation has the following implications:

- The block does not accurately model the gate's response to input noise and inputs that are around the logic threshold voltage.
- The block does not accurately model dynamic response.

Circuits that involve a feedback path around a set of logic gates may require a nonzero propagation delay to be set on one or more gates.

Ports

Conserving

A — Input port

electrical

Electrical conserving port associated with the CMOS NAND input.

B — Input port

electrical

Electrical conserving port associated with the CMOS NAND input.

J — Output port

electrical

Electrical conserving port associated with the CMOS NAND output.

Parameters

Inputs

Low level input voltage — Low level input voltage

2 V (default)

Voltage value below which the block interprets the input voltage as logic LOW.

High level input voltage — High level input voltage

3 V (default)

Voltage value above which the block interprets the input voltage as logic HIGH.

Average input capacitance — Average input capacitance

5 pF (default)

Fixed capacitance that approximates the input capacitance for a MOSFET gate. The MOSFET capacitance depends on the applied voltage. When you drive this block with another gate, the **Average input capacitance** produces a rise time similar to that of the MOSFET. You can usually find this capacitance value on a manufacturer datasheet. Setting this value to zero may result in faster simulation times.

Outputs**Output current-voltage relationship — Output current-voltage relationship**

Linear (default) | Quadratic

Select the output model:

- Linear - This is the default value.
- Quadratic

Low level output voltage — Low level output voltage

0 V (default)

Voltage value at the output when the output logic level is LOW.

Dependencies

This parameter is visible only when you select Linear for the **Output current-voltage relationship** parameter.

High level output voltage — High level output voltage

5 V (default)

Voltage value at the output when the output logic level is HIGH.

Dependencies

This parameter is visible only when you select Linear for the **Output current-voltage relationship** parameter.

Output resistance — Output resistance

25 Ohm (default)

Value of the series output resistor that is used to model the drop in output voltage resulting from the output current. You can derive this value from a datasheet by dividing the high-level output voltage by the maximum low-level output current.

Dependencies

This parameter is visible only when you select Linear for the **Output current-voltage relationship** parameter.

Supply voltage — Supply voltage

5 V (default)

Supply voltage value applied to the gate in your circuit.

Dependencies

This parameter is visible only when you select Quadratic for the **Output current-voltage relationship** parameter.

Measurement voltage — Measurement voltage

5 V (default)

The gate supply voltage for which mask data output resistances and currents are defined.

Dependencies

This parameter is visible only when you select Quadratic for the **Output current-voltage relationship** parameter.

Logic HIGH output resistance at zero current and at I_{OH} — Logic HIGH output resistance at zero current and at I_{OH}

[25, 250] Ohm

A row vector [R_{OH1} R_{OH2}] of two resistance values. The first value R_{OH1} is the gradient of the output voltage-current relationship when the gate is logic HIGH and there is no output current. The second value R_{OH2} is the gradient of the output voltage-current relationship when the gate is logic HIGH and the output current is I_{OH} .

Dependencies

This parameter is visible only when you select Quadratic for the **Output current-voltage relationship** parameter.

Logic HIGH output current I_{OH} when shorted to ground — Logic HIGH output current I_{OH} when shorted to ground

63 mA (default)

The resulting current when the gate is in the logic HIGH state, but the load forces the output voltage to zero.

Dependencies

This parameter is visible only when you select Quadratic for the **Output current-voltage relationship** parameter.

Logic LOW output resistance at zero current and at I_{OL} — Logic LOW output resistance at zero current and at I_{OL}

[30, 800] Ohm (default)

A row vector [R_{OL1} R_{OL2}] of two resistance values. The first value R_{OL1} is the gradient of the output voltage-current relationship when the gate is logic LOW and there is no output current. The second value R_{OL2} is the gradient of the output voltage-current relationship when the gate is logic LOW and the output current is I_{OL} .

Dependencies

This parameter is visible only when you select Quadratic for the **Output current-voltage relationship** parameter.

Logic LOW output current I_{OL} when shorted to V_{cc} — Logic LOW output current I_{OL} when shorted to V_{cc}

-45 mA (default)

The resulting current when the gate is in the logic LOW state, but the load forces the output voltage to the supply voltage V_{cc}.

Dependencies

This parameter is visible only when you select Quadratic for the **Output current-voltage relationship** parameter.

Propagation delay — Propagation delay

25 ns (default)

Time it takes for the output to swing from LOW to HIGH or HIGH to LOW after the input logic levels change.

Protection diode on resistance — Protection diode on resistance

5 Ohm (default)

The gradient of the voltage-current relationship for the protection diodes when forward biased.

Dependencies

This parameter is visible only when you select Quadratic for the **Output current-voltage relationship** parameter.

Protection diode forward voltage — Protection diode forward voltage

0.6 V (default)

The voltage above which the protection diode is turned on.

Dependencies

This parameter is visible only when you select Quadratic for the **Output current-voltage relationship** parameter.

Initial Conditions**Output initial state — Output initial state**

Low (default) | High

Specify whether the initial output state of the block is High or Low. This parameter is used for both linear and quadratic output states, provided that the **Propagation delay** parameter is greater than zero and the Solver Configuration block does not have the **Start simulation from steady state** option selected.

Extended Capabilities**C/C++ Code Generation**

Generate C and C++ code using Simulink® Coder™.

See Also

CMOS AND | CMOS Buffer | CMOS NOR | CMOS NOT | CMOS OR | CMOS XOR | S-R Latch | Schmitt Trigger

Introduced in R2008b

CMOS NOR

Behavioral model of CMOS NOR gate

Library: Simscape / Electrical / Integrated Circuits / Logic



Description

The CMOS NOR block represents a CMOS NOR logic gate behaviorally:

- The block output logic level is **LOW** if the logic levels of any of the gate inputs are 1.
- The block output logic level is **HIGH** otherwise.

The block determines the logic levels of the gate inputs as follows:

- If the gate voltage is greater than the threshold voltage, the block interprets the input as logic 1.
- Otherwise, the block interprets the input as logic 0.

The threshold voltage is the voltage value at midpoint between the **High level input voltage** parameter value and the **Low level input voltage** parameter value.

Note To improve simulation speed, the block does not model all the internal individual MOSFET devices that make up the gate. See “Assumptions and Limitations” on page 1-220 for details.

The block models the gate as follows:

- The gate inputs have infinite resistance and finite or zero capacitance.
- The gate output offers a selection of two models: **Linear** and **Quadratic**. For more information, see “Selecting the Output Model for Logic Blocks”. Use the **Output current-voltage relationship** parameter to specify the output model.
- You can specify propagation delay for both output models. For **Linear** output, the block sets the value of the gate output capacitor such that the resistor-capacitor time constant equals the **Propagation delay** parameter value. For **Quadratic** output, the gate input demand is lagged to approximate the **Propagation delay** parameter value.

The block initial conditions depend on the output model selected:

- For **Linear** model, the high initial condition corresponds to the **High level output voltage** parameter value, V_{OH} , and the low initial condition corresponds to the **Low level output voltage** parameter value, V_{OL} .
- For **Quadratic** model, the high initial condition is a value close to the **Supply voltage** parameter value, V_{CC} , and the low initial condition is close to 0.

The block output voltage depends on the output model selected:

- For **Linear** model, output high is the **High level output voltage** parameter value, and output low is the **Low level output voltage** parameter value.

- For **Quadratic** model, the output voltage for High and Low states is a function of the output current, as explained in “Quadratic Model Output and Parameters”. For zero load current, output high is V_{cc} (the **Supply voltage** parameter value), and output low is zero volts.

Voltage Plot

To access a voltage plot for each electrical port, in your model, right-click the block and, from the context menu, select **Electrical > Basic Characteristics**.

Assumptions and Limitations

The block does not model the internal individual MOSFET devices that make up the gate (except for the final MOSFET pair if you select the **Quadratic** option for the **Output current-voltage relationship** parameter). This limitation has the following implications:

- The block does not accurately model the gate's response to input noise and inputs that are around the logic threshold voltage.
- The block does not accurately model dynamic response.

Circuits that involve a feedback path around a set of logic gates may require a nonzero propagation delay to be set on one or more gates.

Ports

Conserving

A — Input port

electrical

Electrical conserving port associated with the CMOS NOR input.

B — Input port

electrical

Electrical conserving port associated with the CMOS NOR input.

J — Output port

electrical

Electrical conserving port associated with the CMOS NOR output.

Parameters

Inputs

Low level input voltage — Low level input voltage

2 V (default)

Voltage value below which the block interprets the input voltage as logic LOW.

High level input voltage — High level input voltage

3 V (default)

Voltage value above which the block interprets the input voltage as logic HIGH.

Average input capacitance — Average input capacitance

5 pF (default)

Fixed capacitance that approximates the input capacitance for a MOSFET gate. The MOSFET capacitance depends on the applied voltage. When you drive this block with another gate, the **Average input capacitance** produces a rise time similar to that of the MOSFET. You can usually find this capacitance value on a manufacturer datasheet. Setting this value to zero may result in faster simulation times.

Outputs

Output current-voltage relationship — Output current-voltage relationship

Linear (default) | Quadratic

Select the output model:

- Linear - This is the default value.
- Quadratic

Low level output voltage — Low level output voltage

0 V (default)

Voltage value at the output when the output logic level is LOW.

Dependencies

This parameter is visible only when you select Linear for the **Output current-voltage relationship** parameter.

High level output voltage — High level output voltage

5 V (default)

Voltage value at the output when the output logic level is HIGH.

Dependencies

This parameter is visible only when you select Linear for the **Output current-voltage relationship** parameter.

Output resistance — Output resistance

25 Ohm (default)

Value of the series output resistor that is used to model the drop in output voltage resulting from the output current. You can derive this value from a datasheet by dividing the high-level output voltage by the maximum low-level output current.

Dependencies

This parameter is visible only when you select Linear for the **Output current-voltage relationship** parameter.

Supply voltage — Supply voltage

5 V (default)

Supply voltage value applied to the gate in your circuit.

Dependencies

This parameter is visible only when you select Quadratic for the **Output current-voltage relationship** parameter.

Measurement voltage — Measurement voltage

5 V (default)

The gate supply voltage for which mask data output resistances and currents are defined.

Dependencies

This parameter is visible only when you select Quadratic for the **Output current-voltage relationship** parameter.

Logic HIGH output resistance at zero current and at I_{OH} — Logic HIGH output resistance at zero current and at I_{OH}

[25, 250] Ohm

A row vector [R_{OH1} R_{OH2}] of two resistance values. The first value R_{OH1} is the gradient of the output voltage-current relationship when the gate is logic HIGH and there is no output current. The second value R_{OH2} is the gradient of the output voltage-current relationship when the gate is logic HIGH and the output current is I_{OH} .

Dependencies

This parameter is visible only when you select Quadratic for the **Output current-voltage relationship** parameter.

Logic HIGH output current I_{OH} when shorted to ground — Logic HIGH output current I_{OH} when shorted to ground

63 mA (default)

The resulting current when the gate is in the logic HIGH state, but the load forces the output voltage to zero.

Dependencies

This parameter is visible only when you select Quadratic for the **Output current-voltage relationship** parameter.

Logic LOW output resistance at zero current and at I_{OL} — Logic LOW output resistance at zero current and at I_{OL}

[30, 800] Ohm (default)

A row vector [R_{OL1} R_{OL2}] of two resistance values. The first value R_{OL1} is the gradient of the output voltage-current relationship when the gate is logic LOW and there is no output current. The second value R_{OL2} is the gradient of the output voltage-current relationship when the gate is logic LOW and the output current is I_{OL} .

Dependencies

This parameter is visible only when you select Quadratic for the **Output current-voltage relationship** parameter.

Logic LOW output current I_{OL} when shorted to V_{cc} — Logic LOW output current I_{OL} when shorted to V_{cc}

-45 mA (default)

The resulting current when the gate is in the logic LOW state, but the load forces the output voltage to the supply voltage V_{cc}.

Dependencies

This parameter is visible only when you select Quadratic for the **Output current-voltage relationship** parameter.

Propagation delay — Propagation delay

25 ns (default)

Time it takes for the output to swing from LOW to HIGH or HIGH to LOW after the input logic levels change.

Protection diode on resistance — Protection diode on resistance

5 Ohm (default)

The gradient of the voltage-current relationship for the protection diodes when forward biased.

Dependencies

This parameter is visible only when you select Quadratic for the **Output current-voltage relationship** parameter.

Protection diode forward voltage — Protection diode forward voltage

0.6 V (default)

The voltage above which the protection diode is turned on.

Dependencies

This parameter is visible only when you select Quadratic for the **Output current-voltage relationship** parameter.

Initial Conditions**Output initial state — Output initial state**

Low (default) | High

Specify whether the initial output state of the block is High or Low. This parameter is used for both linear and quadratic output states, provided that the **Propagation delay** parameter is greater than zero and the Solver Configuration block does not have the **Start simulation from steady state** option selected.

Extended Capabilities**C/C++ Code Generation**

Generate C and C++ code using Simulink® Coder™.

See Also

CMOS AND | CMOS Buffer | CMOS NAND | CMOS NOT | CMOS OR | CMOS XOR | S-R Latch | Schmitt Trigger

Introduced in R2008b

CMOS NOT

Behavioral model of CMOS NOT gate

Library: Simscape / Electrical / Integrated Circuits / Logic



Description

The CMOS NOT block represents a CMOS NOT logic gate behaviorally:

- The block output logic level is HIGH if the logic level of the gate input is 0.
- The block output logic level is LOW otherwise.

The block determines the logic levels of the gate inputs as follows:

- If the gate voltage is greater than the threshold voltage, the block interprets the input as logic 1.
- Otherwise, the block interprets the input as logic 0.

The threshold voltage is the voltage value at midpoint between the **High level input voltage** parameter value and the **Low level input voltage** parameter value.

Note To improve simulation speed, the block does not model all the internal individual MOSFET devices that make up the gate. See “Assumptions and Limitations” on page 1-226 for details.

The block models the gate as follows:

- The gate inputs have infinite resistance and finite or zero capacitance.
- The gate output offers a selection of two models: **Linear** and **Quadratic**. For more information, see “Selecting the Output Model for Logic Blocks”. Use the **Output current-voltage relationship** parameter to specify the output model.
- You can specify propagation delay for both output models. For **Linear** output, the block sets the value of the gate output capacitor such that the resistor-capacitor time constant equals the **Propagation delay** parameter value. For **Quadratic** output, the gate input demand is lagged to approximate the **Propagation delay** parameter value.

The block initial conditions depend on the output model selected:

- For **Linear** model, the high initial condition corresponds to the **High level output voltage** parameter value, V_{OH} , and the low initial condition corresponds to the **Low level output voltage** parameter value, V_{OL} .
- For **Quadratic** model, the high initial condition is a value close to the **Supply voltage** parameter value, V_{CC} , and the low initial condition is close to 0.

The block output voltage depends on the output model selected:

- For **Linear** model, output high is the **High level output voltage** parameter value, and output low is the **Low level output voltage** parameter value.
- For **Quadratic** model, the output voltage for High and Low states is a function of the output current, as explained in “Quadratic Model Output and Parameters”. For zero load current, output high is V_{cc} (the **Supply voltage** parameter value), and output low is zero volts.

Voltage Plot

To access a voltage plot for each electrical port, in your model, right-click the block and, from the context menu, select **Electrical > Basic Characteristics**.

Assumptions and Limitations

The block does not model the internal individual MOSFET devices that make up the gate (except for the final MOSFET pair if you select the **Quadratic** option for the **Output current-voltage relationship** parameter). This limitation has the following implications:

- The block does not accurately model the gate's response to input noise and inputs that are around the logic threshold voltage.
- The block does not accurately model dynamic response.

Circuits that involve a feedback path around a set of logic gates may require a nonzero propagation delay to be set on one or more gates.

Ports

Conserving

A — Input port

electrical

Electrical conserving port associated with the CMOS NOT input.

J — Output port

electrical

Electrical conserving port associated with the CMOS NOT output.

Parameters

Inputs

Low level input voltage — Low level input voltage

2 V (default)

Voltage value below which the block interprets the input voltage as logic LOW.

High level input voltage — High level input voltage

3 V (default)

Voltage value above which the block interprets the input voltage as logic HIGH.

Average input capacitance — Average input capacitance

5 pF (default)

Fixed capacitance that approximates the input capacitance for a MOSFET gate. The MOSFET capacitance depends on the applied voltage. When you drive this block with another gate, the **Average input capacitance** produces a rise time similar to that of the MOSFET. You can usually find this capacitance value on a manufacturer datasheet. Setting this value to zero may result in faster simulation times.

Outputs**Output current-voltage relationship — Output current-voltage relationship**

Linear (default) | Quadratic

Select the output model:

- Linear - This is the default value.
- Quadratic

Low level output voltage — Low level output voltage

0 V (default)

Voltage value at the output when the output logic level is LOW.

Dependencies

This parameter is visible only when you select Linear for the **Output current-voltage relationship** parameter.

High level output voltage — High level output voltage

5 V (default)

Voltage value at the output when the output logic level is HIGH.

Dependencies

This parameter is visible only when you select Linear for the **Output current-voltage relationship** parameter.

Output resistance — Output resistance

25 Ohm (default)

Value of the series output resistor that is used to model the drop in output voltage resulting from the output current. You can derive this value from a datasheet by dividing the high-level output voltage by the maximum low-level output current.

Dependencies

This parameter is visible only when you select Linear for the **Output current-voltage relationship** parameter.

Supply voltage — Supply voltage

5 V (default)

Supply voltage value applied to the gate in your circuit.

Dependencies

This parameter is visible only when you select Quadratic for the **Output current-voltage relationship** parameter.

Measurement voltage — Measurement voltage

5 V (default)

The gate supply voltage for which mask data output resistances and currents are defined.

Dependencies

This parameter is visible only when you select Quadratic for the **Output current-voltage relationship** parameter.

Logic HIGH output resistance at zero current and at I_{OH} — Logic HIGH output resistance at zero current and at I_{OH}

[25, 250] Ohm

A row vector [R_{OH1} R_{OH2}] of two resistance values. The first value R_{OH1} is the gradient of the output voltage-current relationship when the gate is logic HIGH and there is no output current. The second value R_{OH2} is the gradient of the output voltage-current relationship when the gate is logic HIGH and the output current is I_{OH} .

Dependencies

This parameter is visible only when you select Quadratic for the **Output current-voltage relationship** parameter.

Logic HIGH output current I_{OH} when shorted to ground — Logic HIGH output current I_{OH} when shorted to ground

63 mA (default)

The resulting current when the gate is in the logic HIGH state, but the load forces the output voltage to zero.

Dependencies

This parameter is visible only when you select Quadratic for the **Output current-voltage relationship** parameter.

Logic LOW output resistance at zero current and at I_{OL} — Logic LOW output resistance at zero current and at I_{OL}

[30, 800] Ohm (default)

A row vector [R_{OL1} R_{OL2}] of two resistance values. The first value R_{OL1} is the gradient of the output voltage-current relationship when the gate is logic LOW and there is no output current. The second value R_{OL2} is the gradient of the output voltage-current relationship when the gate is logic LOW and the output current is I_{OL} .

Dependencies

This parameter is visible only when you select Quadratic for the **Output current-voltage relationship** parameter.

Logic LOW output current I_{OL} when shorted to V_{cc} — Logic LOW output current I_{OL} when shorted to V_{cc}

-45 mA (default)

The resulting current when the gate is in the logic LOW state, but the load forces the output voltage to the supply voltage V_{cc}.

Dependencies

This parameter is visible only when you select Quadratic for the **Output current-voltage relationship** parameter.

Propagation delay — Propagation delay

25 ns (default)

Time it takes for the output to swing from LOW to HIGH or HIGH to LOW after the input logic levels change.

Protection diode on resistance — Protection diode on resistance

5 Ohm (default)

The gradient of the voltage-current relationship for the protection diodes when forward biased.

Dependencies

This parameter is visible only when you select Quadratic for the **Output current-voltage relationship** parameter.

Protection diode forward voltage — Protection diode forward voltage

0.6 V (default)

The voltage above which the protection diode is turned on.

Dependencies

This parameter is visible only when you select Quadratic for the **Output current-voltage relationship** parameter.

Initial Conditions**Output initial state — Output initial state**

Low (default) | High

Specify whether the initial output state of the block is High or Low. This parameter is used for both linear and quadratic output states, provided that the **Propagation delay** parameter is greater than zero and the Solver Configuration block does not have the **Start simulation from steady state** option selected.

Extended Capabilities**C/C++ Code Generation**

Generate C and C++ code using Simulink® Coder™.

See Also

CMOS AND | CMOS Buffer | CMOS NAND | CMOS NOR | CMOS OR | CMOS XOR | S-R Latch | Schmitt Trigger

Introduced in R2008b

CMOS OR

Behavioral model of CMOS OR gate

Library: Simscape / Electrical / Integrated Circuits / Logic



Description

The CMOS OR block represents a CMOS OR logic gate behaviorally:

- The block output logic level is HIGH if the logic levels of any of the gate inputs are 1.
- The block output logic level is LOW otherwise.

The block determines the logic levels of the gate inputs as follows:

- If the gate voltage is greater than the threshold voltage, the block interprets the input as logic 1.
- Otherwise, the block interprets the input as logic 0.

The threshold voltage is the voltage value at midpoint between the **High level input voltage** parameter value and the **Low level input voltage** parameter value.

Note To improve simulation speed, the block does not model all the internal individual MOSFET devices that make up the gate. See “Assumptions and Limitations” on page 1-232 for details.

The block models the gate as follows:

- The gate inputs have infinite resistance and finite or zero capacitance.
- The gate output offers a selection of two models: **Linear** and **Quadratic**. For more information, see “Selecting the Output Model for Logic Blocks”. Use the **Output current-voltage relationship** parameter to specify the output model.
- You can specify propagation delay for both output models. For **Linear** output, the block sets the value of the gate output capacitor such that the resistor-capacitor time constant equals the **Propagation delay** parameter value. For **Quadratic** output, the gate input demand is lagged to approximate the **Propagation delay** parameter value.

The block initial conditions depend on the output model selected:

- For **Linear** model, the high initial condition corresponds to the **High level output voltage** parameter value, V_{OH} , and the low initial condition corresponds to the **Low level output voltage** parameter value, V_{OL} .
- For **Quadratic** model, the high initial condition is a value close to the **Supply voltage** parameter value, V_{CC} , and the low initial condition is close to 0.

The block output voltage depends on the output model selected:

- For **Linear** model, output high is the **High level output voltage** parameter value, and output low is the **Low level output voltage** parameter value.

- For **Quadratic** model, the output voltage for High and Low states is a function of the output current, as explained in “Quadratic Model Output and Parameters”. For zero load current, output high is V_{cc} (the **Supply voltage** parameter value), and output low is zero volts.

Voltage Plot

To access a voltage plot for each electrical port, in your model, right-click the block and, from the context menu, select **Electrical > Basic Characteristics**.

Assumptions and Limitations

The block does not model the internal individual MOSFET devices that make up the gate (except for the final MOSFET pair if you select the **Quadratic** option for the **Output current-voltage relationship** parameter). This limitation has the following implications:

- The block does not accurately model the gate's response to input noise and inputs that are around the logic threshold voltage.
- The block does not accurately model dynamic response.

Circuits that involve a feedback path around a set of logic gates may require a nonzero propagation delay to be set on one or more gates.

Ports

Conserving

A — Input port

electrical

Electrical conserving port associated with the CMOS OR input.

B — Input port

electrical

Electrical conserving port associated with the CMOS OR input.

J — Output port

electrical

Electrical conserving port associated with the CMOS OR output.

Parameters

Inputs

Low level input voltage — Low level input voltage

2 V (default)

Voltage value below which the block interprets the input voltage as logic LOW.

High level input voltage — High level input voltage

3 V (default)

Voltage value above which the block interprets the input voltage as logic HIGH.

Average input capacitance — Average input capacitance

5 pF (default)

Fixed capacitance that approximates the input capacitance for a MOSFET gate. The MOSFET capacitance depends on the applied voltage. When you drive this block with another gate, the **Average input capacitance** produces a rise time similar to that of the MOSFET. You can usually find this capacitance value on a manufacturer datasheet. Setting this value to zero may result in faster simulation times.

Outputs

Output current-voltage relationship — Output current-voltage relationship

Linear (default) | Quadratic

Select the output model:

- Linear - This is the default value.
- Quadratic

Low level output voltage — Low level output voltage

0 V (default)

Voltage value at the output when the output logic level is LOW.

Dependencies

This parameter is visible only when you select Linear for the **Output current-voltage relationship** parameter.

High level output voltage — High level output voltage

5 V (default)

Voltage value at the output when the output logic level is HIGH.

Dependencies

This parameter is visible only when you select Linear for the **Output current-voltage relationship** parameter.

Output resistance — Output resistance

25 Ohm (default)

Value of the series output resistor that is used to model the drop in output voltage resulting from the output current. You can derive this value from a datasheet by dividing the high-level output voltage by the maximum low-level output current.

Dependencies

This parameter is visible only when you select Linear for the **Output current-voltage relationship** parameter.

Supply voltage — Supply voltage

5 V (default)

Supply voltage value applied to the gate in your circuit.

Dependencies

This parameter is visible only when you select Quadratic for the **Output current-voltage relationship** parameter.

Measurement voltage — Measurement voltage

5 V (default)

The gate supply voltage for which mask data output resistances and currents are defined.

Dependencies

This parameter is visible only when you select Quadratic for the **Output current-voltage relationship** parameter.

Logic HIGH output resistance at zero current and at I_{OH} — Logic HIGH output resistance at zero current and at I_{OH}

[25, 250] Ohm

A row vector [R_{OH1} R_{OH2}] of two resistance values. The first value R_{OH1} is the gradient of the output voltage-current relationship when the gate is logic HIGH and there is no output current. The second value R_{OH2} is the gradient of the output voltage-current relationship when the gate is logic HIGH and the output current is I_{OH} .

Dependencies

This parameter is visible only when you select Quadratic for the **Output current-voltage relationship** parameter.

Logic HIGH output current I_{OH} when shorted to ground — Logic HIGH output current I_{OH} when shorted to ground

63 mA (default)

The resulting current when the gate is in the logic HIGH state, but the load forces the output voltage to zero.

Dependencies

This parameter is visible only when you select Quadratic for the **Output current-voltage relationship** parameter.

Logic LOW output resistance at zero current and at I_{OL} — Logic LOW output resistance at zero current and at I_{OL}

[30, 800] Ohm (default)

A row vector [R_{OL1} R_{OL2}] of two resistance values. The first value R_{OL1} is the gradient of the output voltage-current relationship when the gate is logic LOW and there is no output current. The second value R_{OL2} is the gradient of the output voltage-current relationship when the gate is logic LOW and the output current is I_{OL} .

Dependencies

This parameter is visible only when you select Quadratic for the **Output current-voltage relationship** parameter.

Logic LOW output current I_{OL} when shorted to V_{cc} — Logic LOW output current I_{OL} when shorted to V_{cc}

-45 mA (default)

The resulting current when the gate is in the logic LOW state, but the load forces the output voltage to the supply voltage V_{cc}.

Dependencies

This parameter is visible only when you select Quadratic for the **Output current-voltage relationship** parameter.

Propagation delay — Propagation delay

25 ns (default)

Time it takes for the output to swing from LOW to HIGH or HIGH to LOW after the input logic levels change.

Protection diode on resistance — Protection diode on resistance

5 Ohm (default)

The gradient of the voltage-current relationship for the protection diodes when forward biased.

Dependencies

This parameter is visible only when you select Quadratic for the **Output current-voltage relationship** parameter.

Protection diode forward voltage — Protection diode forward voltage

0.6 V (default)

The voltage above which the protection diode is turned on.

Dependencies

This parameter is visible only when you select Quadratic for the **Output current-voltage relationship** parameter.

Initial Conditions**Output initial state — Output initial state**

Low (default) | High

Specify whether the initial output state of the block is High or Low. This parameter is used for both linear and quadratic output states, provided that the **Propagation delay** parameter is greater than zero and the Solver Configuration block does not have the **Start simulation from steady state** option selected.

Extended Capabilities**C/C++ Code Generation**

Generate C and C++ code using Simulink® Coder™.

See Also

CMOS AND | CMOS Buffer | CMOS NAND | CMOS NOR | CMOS NOT | CMOS XOR | S-R Latch | Schmitt Trigger

Introduced in R2008b

CMOS XOR

Behavioral model of CMOS XOR gate

Library: Simscape / Electrical / Integrated Circuits / Logic



Description

The CMOS XOR block represents a CMOS XOR logic gate behaviorally:

- The block output logic level is **HIGH** if the logic level of exactly one of the gate inputs is 1.
- The block output logic level is **LOW** otherwise.

The block determines the logic levels of the gate inputs as follows:

- If the gate voltage is greater than the threshold voltage, the block interprets the input as logic 1.
- Otherwise, the block interprets the input as logic 0.

The threshold voltage is the voltage value at midpoint between the **High level input voltage** parameter value and the **Low level input voltage** parameter value.

Note To improve simulation speed, the block does not model all the internal individual MOSFET devices that make up the gate. See “Assumptions and Limitations” on page 1-238 for details.

The block models the gate as follows:

- The gate inputs have infinite resistance and finite or zero capacitance.
- The gate output offers a selection of two models: **Linear** and **Quadratic**. For more information, see “Selecting the Output Model for Logic Blocks”. Use the **Output current-voltage relationship** parameter to specify the output model.
- You can specify propagation delay for both output models. For **Linear** output, the block sets the value of the gate output capacitor such that the resistor-capacitor time constant equals the **Propagation delay** parameter value. For **Quadratic** output, the gate input demand is lagged to approximate the **Propagation delay** parameter value.

The block initial conditions depend on the output model selected:

- For **Linear** model, the high initial condition corresponds to the **High level output voltage** parameter value, V_{OH} , and the low initial condition corresponds to the **Low level output voltage** parameter value, V_{OL} .
- For **Quadratic** model, the high initial condition is a value close to the **Supply voltage** parameter value, V_{CC} , and the low initial condition is close to 0.

The block output voltage depends on the output model selected:

- For **Linear** model, output high is the **High level output voltage** parameter value, and output low is the **Low level output voltage** parameter value.

- For **Quadratic** model, the output voltage for High and Low states is a function of the output current, as explained in “Quadratic Model Output and Parameters”. For zero load current, output high is V_{cc} (the **Supply voltage** parameter value), and output low is zero volts.

Voltage Plot

To access a voltage plot for each electrical port, in your model, right-click the block and, from the context menu, select **Electrical > Basic Characteristics**.

Assumptions and Limitations

The block does not model the internal individual MOSFET devices that make up the gate (except for the final MOSFET pair if you select the **Quadratic** option for the **Output current-voltage relationship** parameter). This limitation has the following implications:

- The block does not accurately model the gate's response to input noise and inputs that are around the logic threshold voltage.
- The block does not accurately model dynamic response.

Circuits that involve a feedback path around a set of logic gates may require a nonzero propagation delay to be set on one or more gates.

Ports

Conserving

A — Input port

electrical

Electrical conserving port associated with the CMOS XOR input.

B — Input port

electrical

Electrical conserving port associated with the CMOS XOR input.

J — Output port

electrical

Electrical conserving port associated with the CMOS XOR output.

Parameters

Inputs

Low level input voltage — Low level input voltage

2 V (default)

Voltage value below which the block interprets the input voltage as logic LOW.

High level input voltage — High level input voltage

3 V (default)

Voltage value above which the block interprets the input voltage as logic HIGH.

Average input capacitance — Average input capacitance

5 pF (default)

Fixed capacitance that approximates the input capacitance for a MOSFET gate. The MOSFET capacitance depends on the applied voltage. When you drive this block with another gate, the **Average input capacitance** produces a rise time similar to that of the MOSFET. You can usually find this capacitance value on a manufacturer datasheet. Setting this value to zero may result in faster simulation times.

Outputs

Output current-voltage relationship — Output current-voltage relationship

Linear (default) | Quadratic

Select the output model:

- Linear - This is the default value.
- Quadratic

Low level output voltage — Low level output voltage

0 V (default)

Voltage value at the output when the output logic level is LOW.

Dependencies

This parameter is visible only when you select Linear for the **Output current-voltage relationship** parameter.

High level output voltage — High level output voltage

5 V (default)

Voltage value at the output when the output logic level is HIGH.

Dependencies

This parameter is visible only when you select Linear for the **Output current-voltage relationship** parameter.

Output resistance — Output resistance

25 Ohm (default)

Value of the series output resistor that is used to model the drop in output voltage resulting from the output current. You can derive this value from a datasheet by dividing the high-level output voltage by the maximum low-level output current.

Dependencies

This parameter is visible only when you select Linear for the **Output current-voltage relationship** parameter.

Supply voltage — Supply voltage

5 V (default)

Supply voltage value applied to the gate in your circuit.

Dependencies

This parameter is visible only when you select Quadratic for the **Output current-voltage relationship** parameter.

Measurement voltage — Measurement voltage

5 V (default)

The gate supply voltage for which mask data output resistances and currents are defined.

Dependencies

This parameter is visible only when you select Quadratic for the **Output current-voltage relationship** parameter.

Logic HIGH output resistance at zero current and at I_{OH} — Logic HIGH output resistance at zero current and at I_{OH}

[25, 250] Ohm

A row vector [R_{OH1} R_{OH2}] of two resistance values. The first value R_{OH1} is the gradient of the output voltage-current relationship when the gate is logic HIGH and there is no output current. The second value R_{OH2} is the gradient of the output voltage-current relationship when the gate is logic HIGH and the output current is I_{OH} .

Dependencies

This parameter is visible only when you select Quadratic for the **Output current-voltage relationship** parameter.

Logic HIGH output current I_{OH} when shorted to ground — Logic HIGH output current I_{OH} when shorted to ground

63 mA (default)

The resulting current when the gate is in the logic HIGH state, but the load forces the output voltage to zero.

Dependencies

This parameter is visible only when you select Quadratic for the **Output current-voltage relationship** parameter.

Logic LOW output resistance at zero current and at I_{OL} — Logic LOW output resistance at zero current and at I_{OL}

[30, 800] Ohm (default)

A row vector [R_{OL1} R_{OL2}] of two resistance values. The first value R_{OL1} is the gradient of the output voltage-current relationship when the gate is logic LOW and there is no output current. The second value R_{OL2} is the gradient of the output voltage-current relationship when the gate is logic LOW and the output current is I_{OL} .

Dependencies

This parameter is visible only when you select Quadratic for the **Output current-voltage relationship** parameter.

Logic LOW output current I_{OL} when shorted to V_{cc} — Logic LOW output current I_{OL} when shorted to V_{cc}

-45 mA (default)

The resulting current when the gate is in the logic LOW state, but the load forces the output voltage to the supply voltage V_{cc}.

Dependencies

This parameter is visible only when you select Quadratic for the **Output current-voltage relationship** parameter.

Propagation delay — Propagation delay

25 ns (default)

Time it takes for the output to swing from LOW to HIGH or HIGH to LOW after the input logic levels change.

Protection diode on resistance — Protection diode on resistance

5 Ohm (default)

The gradient of the voltage-current relationship for the protection diodes when forward biased.

Dependencies

This parameter is visible only when you select Quadratic for the **Output current-voltage relationship** parameter.

Protection diode forward voltage — Protection diode forward voltage

0.6 V (default)

The voltage above which the protection diode is turned on.

Dependencies

This parameter is visible only when you select Quadratic for the **Output current-voltage relationship** parameter.

Initial Conditions**Output initial state — Output initial state**

Low (default) | High

Specify whether the initial output state of the block is High or Low. This parameter is used for both linear and quadratic output states, provided that the **Propagation delay** parameter is greater than zero and the Solver Configuration block does not have the **Start simulation from steady state** option selected.

Extended Capabilities**C/C++ Code Generation**

Generate C and C++ code using Simulink® Coder™.

See Also

CMOS AND | CMOS Buffer | CMOS NAND | CMOS NOR | CMOS NOT | CMOS OR | S-R Latch | Schmitt Trigger

Introduced in R2008b

Comparator

Behavioral model of a comparator integrated circuit

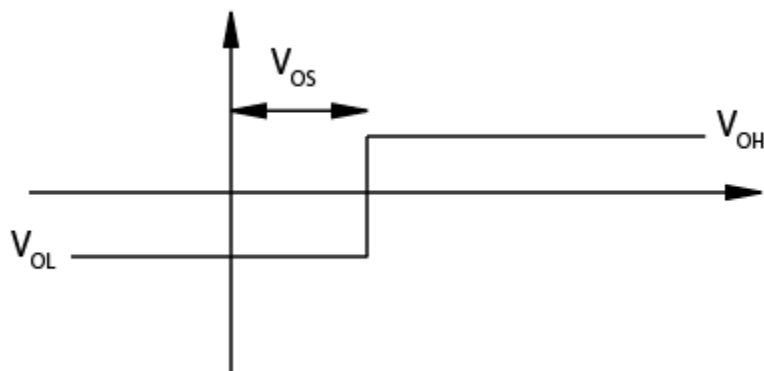
Library: Simscape / Electrical / Integrated Circuits



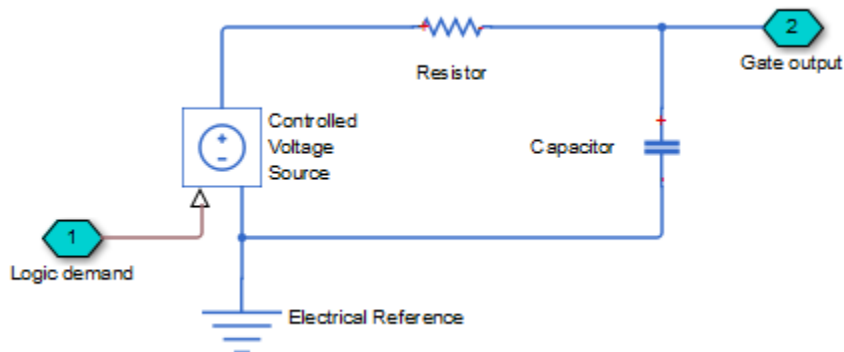
Description

The Comparator block is an abstracted behavioral model of a comparator integrated circuit. It does not model an internal transistor-level implementation. Therefore, the block runs quickly during simulation but retains the correct I/O behavior. The block models differential inputs electrically as having infinite resistance and a finite or zero capacitance.

The block models the gate output as a voltage source driving a series resistor and a capacitor that connects to ground. The output pin connects to the resistor-capacitor connection node. If the difference in the inputs is greater than the input threshold voltage, then the output is equal to the **High level output voltage** (V_{OH}). Otherwise, the output is equal to the **Low level output voltage** (V_{OL}).



The output model is shown in the following illustration.



Assumptions and Limitations

Modeling of the output as a controlled voltage source is representative of a totem-pole or push-pull output stage. To model a device with an open-collector:

- 1 Connect the output pin to the base of an NPN Bipolar Transistor or PNP Bipolar Transistor block.
- 2 Set the **Output resistance** parameter to a suitable value.

Ports

Conserving

+ – Non-inverting input

electrical

Electrical conserving port associated with the comparator non-inverting input.

- – Inverting input

electrical

Electrical conserving port associated with the comparator inverting input.

OUT – Output port

electrical

Electrical conserving port associated with the comparator output

Parameters

Input

Input offset voltage – Input offset voltage

5 mV (default)

The voltage which the difference in the input voltages must be greater than so that the comparator gives a logic output 1.

Average input capacitance – Average input capacitance

0 pF (default)

You can usually find this capacitance value on a manufacturer datasheet. Setting this value to zero can result in faster simulation times.

Output

Low level output voltage – Low level output voltage

0 V (default)

The steady-state output voltage, V_{OL} , when the voltage difference across the inputs is less than or equal to the threshold voltage, and the output current is zero.

High level output voltage – High level output voltage

5 V (default)

The steady-state output voltage, V_{OH} , when the voltage difference across the inputs is greater than the threshold voltage, and the output current is zero.

Output resistance – Output resistance

50 Ohm (default)

This parameter is the ratio of output voltage drop to output current. Set this parameter to $(V_{OH} - V_{OH1})/I_{OH1}$, where V_{OH1} is the reduced output high voltage when the output current is I_{OH1} .

Propagation delay – Propagation delay

0 s (default)

Set this value based on the high-to-low and low-to-high propagation delays.

Extended Capabilities**C/C++ Code Generation**

Generate C and C++ code using Simulink® Coder™.

See Also

CMOS Buffer

Introduced in R2009b

Constant Power Load

Constant power load for DC or AC supply

Library: Simscape / Electrical / Passive



Description

The Constant Power Load block implements a constant power load for a DC or AC supply.

If you set the **Load type** parameter to DC:

- The block outputs a nominal rated power as long as the voltage from the DC supply is equal to or greater than the value specified for the **Minimum supply voltage** parameter.
- When the voltage from the DC supply drops below the **Minimum supply voltage**, the load behaviour changes and the block acts as a constant resistance. If the supply voltage becomes negative, the block acts as a constant reverse conductance.

To ensure smooth transitions between these behaviours, the block uses a third-order polynomial spline with continuous derivatives. You can specify the width of this transition using the **Transition voltage width** parameter.

If you set the **Load type** parameter to AC:

- The block outputs a nominal rated power as long as the voltage from the AC supply is equal to or greater than the value specified for the **Minimum supply voltage (RMS)** parameter.
- When the voltage from the AC supply drops below the **Minimum supply voltage (RMS)**, the load behaviour changes and the block models a load with constant impedance.

For more information about the equations for the AC load type in a three-phase system, see the “Equations” on page 1-250 section of the Constant Power Load (Three-Phase) block.

Faults

The Constant Power Load block allows you to model an electrical fault as an open circuit. The block can trigger fault events at a specific time.

You can also choose whether to issue an assertion when a fault occurs, by using the **Reporting when a fault occurs** parameter. The assertion can take the form of a warning or an error. By default, the block does not issue an assertion.

Load-Flow Analysis

If the block is in a network that is compatible with the frequency-time simulation mode, you can perform a load-flow analysis on the network. A load-flow analysis provides steady-state values that you can use to initialize a machine.

For more information, see “Perform a Load-Flow Analysis Using Simscape Electrical” and “Frequency and Time Simulation Mode”.

Variables

Use the **Variables** section of the block interface to set the priority and initial target values for the block variables prior to simulation. For more information, see “Set Priority and Initial Target for Block Variables”.

Ports

Conserving

+ — Positive terminal

electrical

Electrical conserving port associated with the constant power load positive terminal.

- — Negative terminal

electrical

Electrical conserving port associated with the constant power load negative terminal.

Parameters

Main

Load type — Load type

DC (default) | AC

Type of load. Select DC to use this load with a DC supply or AC to use this load with an AC supply.

Power consumed — Power consumed

100 W (default) | scalar

Nominal power consumed by the block.

Dependencies

To enable this parameter, set **Load Type** to DC.

Minimum supply voltage — Minimum DC supply voltage

20 V (default) | scalar

Minimum voltage the DC supply needs to give the block to act as a constant power load.

Dependencies

To enable this parameter, set **Load Type** to DC.

Reverse conductance — Reverse conductance

1e-6 S (default) | scalar

Value of the reverse conductance when the supply voltage becomes negative.

Dependencies

To enable this parameter, set **Load Type** to DC.

Transition voltage width — Transition voltage width

1e-3 V (default) | scalar

Transition voltage width used to ensure smooth transitions between the block's behaviours when the supply voltage drops below the **Minimum supply voltage** or becomes negative.

Dependencies

To enable this parameter, set **Load Type** to DC.

Active power consumed — Active power consumed

500 W (default) | scalar

Active power consumed by the block.

Dependencies

To enable this parameter, set **Load Type** to AC.

Reactive power consumed — Reactive power consumed

0 V*A (default) | scalar

Reactive power consumed by the block.

Dependencies

To enable this parameter, set **Load Type** to AC.

Rated frequency — Rated frequency

60 Hz (default) | scalar

Rated frequency.

Dependencies

To enable this parameter, set **Load Type** to AC.

Minimum supply voltage (RMS) — Minimum AC supply voltage

200 V (default) | scalar

Minimum voltage, in RMS, the AC supply needs to give the block to act as a constant power load.

Dependencies

To enable this parameter, set **Load Type** to AC.

Faults**Enable open circuit fault — Whether to enable faults modeling**

No (default) | Yes

Select **Yes** to enable faults modeling and expose the associated parameters in the **Faults** section to select the reporting method and specify the time at which the fault triggers.

Reporting when a fault occurs — Whether to issue an assertion when a fault occurs

None (default) | Warn | Error

Choose whether to issue an assertion when a fault occurs:

- None — The block does not issue an assertion.
- Warn — The block issues a warning.
- Error — Simulation stops with an error.

Dependencies

To enable this parameter, set **Enable open circuit fault** to Yes.

Time at which fault is triggered — Time before entering faulted state

1 s (default) | scalar

Simulation time when the block enters the faulted state.

Dependencies

To enable this parameter, set **Enable open circuit fault** to Yes.

Open-circuit conductance — Open-circuit conductance

1e-4 S (default) | scalar

Conductance during the open-circuit state.

Dependencies

To enable this parameter, set **Enable open circuit fault** to Yes.

Extended Capabilities**C/C++ Code Generation**

Generate C and C++ code using Simulink® Coder™.

See Also

Constant Power Load (Three-Phase)

Topics

“Perform a Load-Flow Analysis Using Simscape Electrical”

“Frequency and Time Simulation Mode”

Introduced in R2020a

Constant Power Load (Three-Phase)

Three-phase constant power load

Library: Simscape / Electrical / Passive



Description

The Constant Power Load (Three-Phase) block implements a constant power load for a three-phase supply.

The block outputs a nominal rated power as long as the voltage from the three-phase supply is equal to or greater than the value specified for the **Minimum supply voltage (phase-to-phase RMS)** parameter.

When the voltage from the three-phase supply drops below the value of **Minimum supply voltage (phase-to-phase RMS)**, the load behaviour changes and the block models a load with constant impedance.

Equations

When the voltage from the three-phase supply is greater than the value specified for the **Minimum supply voltage (phase-to-phase RMS)** parameter, the block acts in constant PQ mode.

The active and reactive power are defined by:

$$P = \frac{3}{2} V_{pk} I_{pk} \cos(\varphi_V - \varphi_I)$$

$$Q = \frac{3}{2} V_{pk} I_{pk} \sin(\varphi_V - \varphi_I)$$

where:

- V_{pk} is the voltage peak magnitude.
- $\varphi_I = \varphi_V - \text{atan}\left(\frac{Q}{P}\right)$ is the phase of the current.
- $I_{pk} = \frac{2}{3} \frac{P}{V_{pk} \cos(\varphi_V - \varphi_I)}$ is the current peak magnitude.

When the voltage from the three-phase supply is less than or equal to the value specified for the **Minimum supply voltage (phase-to-phase RMS)** parameter, the block acts in constant Z mode.

The active and reactive power are defined by:

$$P = \frac{3}{2} V_{pk}^2 \frac{R}{R^2 + X^2}$$

$$Q = \frac{3}{2} V_{pk}^2 \frac{X}{R^2 + X^2}$$

where:

- $R = V_{line\ RMS_{min}} \frac{P}{P^2 + Q^2}$ is the constant resistance.
- $X = V_{line\ RMS_{min}} \frac{Q}{P^2 + Q^2}$ is the constant reactance.
- $V_{line\ RMS_{min}}$ is the **Minimum supply voltage (phase-to-phase RMS)**.

Load-Flow Analysis

If the block is in a network that is compatible with frequency-time simulation mode, you can perform a load-flow analysis on the network. A load-flow analysis provides steady-state values that you can use to initialize a machine.

For more information, see “Perform a Load-Flow Analysis Using Simscape Electrical” and “Frequency and Time Simulation Mode”.

Ports

Conserving

~ — Three-phase voltage

electrical

Expandable three-phase electrical port associated with the three-phase voltage.

Parameters

Main

Active power consumed — Active power consumed

1 kW (default) | scalar

Active power consumed by the block.

Reactive power consumed — Reactive power consumed

0 A*kV (default) | scalar

Reactive power consumed by the block.

Minimum supply voltage (phase-to-phase RMS) — Minimum supply voltage

100 V (default) | scalar

Minimum voltage, in phase-to-phase RMS, that the supply needs to give the block to act as a constant power load.

Faults

Enable open circuit fault — Whether to enable faults modeling

No (default) | Yes

Select **Yes** to enable faults modeling and expose the associated parameters in the **Faults** section, which enables you to select the reporting method and specify the time at which the fault triggers.

Reporting when a fault occurs — Whether to issue an assertion when a fault occurs

None (default) | Warn | Error

Choose whether to issue an assertion when a fault occurs:

- **None** — The block does not issue an assertion.
- **Warn** — The block issues a warning.
- **Error** — The simulation stops with an error.

Dependencies

To enable this parameter, set **Enable open circuit fault** to **Yes**.

Time at which fault is triggered — Time at which fault is triggered

1 s (default) | scalar

Simulation time when the block enters the faulted state.

Dependencies

To enable this parameter, set **Enable open circuit fault** to **Yes**.

Open-circuit conductance — Open-circuit conductance

1e-4 S (default) | scalar

Conductance during the open-circuit state.

Dependencies

To enable this parameter, set **Enable open circuit fault** to **Yes**.

Extended Capabilities

C/C++ Code Generation

Generate C and C++ code using Simulink® Coder™.

See Also

Constant Power Load | Power Sensor (Three-Phase)

Topics

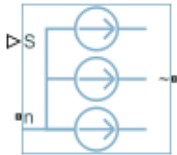
“Perform a Load-Flow Analysis Using Simscape Electrical”
“Frequency and Time Simulation Mode”

Introduced in R2020b

Controlled Current Source (Three-Phase)

Ideal three-phase controlled current source

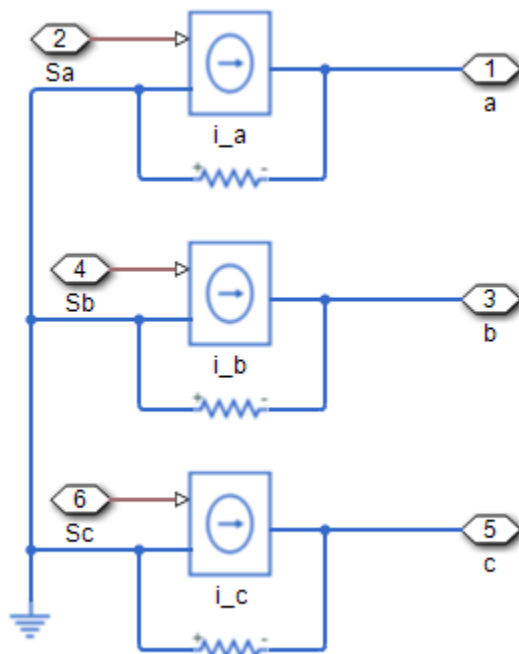
Library: Simscape / Electrical / Sources



Description

The Controlled Current Source (Three-Phase) block represents an ideal three-phase current source that is powerful enough to maintain the specified current through it regardless of the voltage across it. The output currents are $[i_a \ i_b \ i_c] = S$, where S is a vector containing the numerical values presented at the physical signal port.

The figure shows the equivalent circuit for the expanded implementation of the Controlled Current Source (Three-Phase) block.



To use the Controlled Current Source (Three-Phase) block as an abstracted current controller in an electrical drive, connect the conserving ports for the output current directly to the machine.

To access the variant implementation with an expanded, three-phase port, right-click the block and select **Simscape > Block choices**.

Ports

Input

S – Control

physical signal

Physical signal input port associated with the control signal.

Conserving

n – Neutral

electrical

Electrical conserving port associated with the neutral phase.

~ – Three-phase current

electrical

Expandable three-phase port.

a – a-phase current

electrical

Electrical conserving port associated with the *a*-phase output current.

b – b-phase current

electrical

Electrical conserving port associated with the *b*-phase output current.

c – c-phase current

electrical

Electrical conserving port associated with the *c*-phase output current.

Extended Capabilities

C/C++ Code Generation

Generate C and C++ code using Simulink® Coder™.

See Also

Battery | Current Source (Three-Phase) | DC Current Source | Voltage Source (Three-Phase)

Topics

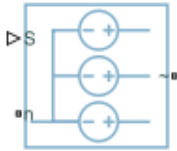
“Expand and Collapse Three-Phase Ports on a Block”

Introduced in R2018b

Controlled Voltage Source (Three-Phase)

Ideal three-phase controlled voltage source

Library: Simscape / Electrical / Sources



Description

The Controlled Voltage Source (Three-Phase) block represents an ideal three-phase voltage source that maintains the specified voltage regardless of the current through it.

Ports

Input

S — Control

physical signal | vector

Physical signal input port associated with the control signal. The output voltages are $[v_a \ v_b \ v_c] = S$. For an ideal sinusoidal source, input three sine waves that have the requisite amplitude and phase delays of $\left[0 \ -\frac{2\pi}{3} \ \frac{2\pi}{3}\right]$.

Conserving

n — Neutral

electrical

Electrical conserving port associated with the neutral phase.

~ — Three-phase voltage

electrical

Expandable three-phase port associated with the output voltage.

a — a-phase voltage

electrical

Electrical conserving port associated with the *a*-phase output voltage.

b — b-phase voltage

electrical

Electrical conserving port associated with the *b*-phase output voltage.

c — c-phase voltage

electrical

Electrical conserving port associated with the *c*-phase output voltage.

Extended Capabilities

C/C++ Code Generation

Generate C and C++ code using Simulink® Coder™.

See Also

Controlled Current Source (Three-Phase) | Exponential Voltage Source | Voltage Source

Introduced in R2019a

Controlled PWM Voltage

Pulse-width modulated voltage source

Library: Simscape / Electrical / Integrated Circuits



Description

The Controlled PWM Voltage block represents a pulse-width modulated (PWM) voltage source. The block has two modeling variants, accessible by right-clicking the block in your block diagram and then selecting the appropriate option from the context menu, under **Simscape > Block choices**:

- **Electrical input ports** — The block calculates the duty cycle based on the reference voltage across its **ref+** and **ref-** ports. This modeling variant is the default.
- **PS input** — Specify the duty cycle value directly by using an input physical signal port.

For the **Electrical input ports** variant of the block, the demanded duty cycle is

$$100 * \frac{V_{ref} - V_{min}}{V_{max} - V_{min}} \text{ percent}$$

where:

- V_{ref} is the reference voltage across the **ref+** and **ref-** ports.
- V_{min} is the minimum reference voltage.
- V_{max} is the maximum reference voltage.

The value of the **Output voltage amplitude** parameter determines amplitude of the output voltage.

At time zero, the pulse is initialized as high, unless the **Pulse delay time** parameter is greater than zero, or the demanded duty cycle is zero.

You can use parameters **Pulse delay time** and **Pulse width offset** to add a small turn-on delay and a small turn-off advance. This can be useful when fine-tuning switching times so as to minimize switching losses.

In PWM mode, the block has two options for the type of switching event when moving between output high and output low states:

- **Asynchronous** — Best for variable-step solvers — Asynchronous events are better suited to variable step solvers, because they require fewer simulation steps for the same level of accuracy. In asynchronous mode the PWM switching events generate zero crossings, and therefore switching times are always determined accurately, regardless of the simulation maximum step size.
- **Discrete-time** — Best for fixed-step solvers — Discrete-time events are better suited to fixed-step operation, because then the switching events are always synchronized with the simulation step. Using an asynchronous implementation with fixed-step solvers may sometimes

result in events being up to one simulation step late. For more information, see “Simulating with Fixed Time Step — Local and Global Fixed-Step Solvers”.

If you use a fixed-step or local solver and the discrete-time switching event type, the following restrictions apply to the **Sample time** parameter value:

- The sample time must be a multiple of the simulation step size.
- The sample time must be small compared to the PWM period, to ensure sufficient resolution.

Assumptions and Limitations

The model is based on the following assumptions:

- The REF output of this block is floating, it is not tied to the Electrical Reference. One consequence of this is that if you connect the PWM and REF electrical ports directly to the PWM and REF electrical ports of an H-bridge or a gate driver, you must attach an Electrical Reference block to the REF connection line.
- Do not connect the Controlled PWM block directly to a semiconductor gate, because this omits the gate driver output impedance that determines switching dynamics. Use a Gate Driver or a Half-Bridge Driver block to set the gate-source or the gate-emitter voltage.
- Do not use the Controlled PWM block to drive a motor block directly. A PWM motor driver goes open circuit in between pulses. Use the H-Bridge block to drive a motor block.
- When driving a motor via the H-Bridge block, set the **Simulation mode** parameter to **Averaged** to speed up simulations. You must also set the **Simulation mode** parameter of the H-Bridge block to **Averaged** mode. This applies the average of the demanded PWM voltage to the motor. The **Averaged** mode assumes that the impedance of the motor inductive term is small at the **PWM frequency**. To verify this assumption, run the simulation using the **PWM** mode and compare the results to those obtained from using the **Averaged** mode.
- If you are linearizing your model, set the **Simulation mode** parameter to **Averaged** and ensure that you have specified the operating point of the block correctly. You can only linearize the block for inputs corresponding to a duty cycle greater than zero and less than 100 percent.
- When you use this block in **PWM** mode with the **Use local solver option** selected in the Solver Configuration block, set the **Switching event type** parameter to **Discrete-time – Best for fixed-step solvers**. Using the **Asynchronous – Best for variable-step solvers** option in this situation may produce inaccuracies, because simulation with the local solver implies fixed step, and the PWM events will not always coincide precisely with the simulation steps. This results in PWM events sometimes occurring one simulation step late.

Ports

Input

u — Control signal, unitless

physical signal

Input physical signal that specifies the duty cycle.

Dependencies

Enabled for the **PS input** variant of the block.

Conserving**ref+ — Positive terminal**

electrical

Positive electrical reference voltage.

DependenciesEnabled for the **Electrical input ports** variant of the block.**ref- — Negative terminal**

electrical

Negative electrical reference voltage

DependenciesEnabled for the **Electrical input ports** variant of the block.**PWM — Pulse-width modulated signal**

electrical

Electrical conserving port associated with the pulse-width modulated signal.

REF — Floating zero volt reference

electrical

Electrical conserving port associated with the floating zero volt reference.

Parameters**PWM****PWM frequency — PWM output signal frequency**

1000 Hz (default)

Frequency of the PWM output signal.

Pulse delay time — Turn-on delay

0 s (default)

The pulse train does not start until the simulation time is equal to the **Pulse delay time**. You can specify a small value for **Pulse delay time** to fine-tune switching times and ensure that an off-going device is fully off before the on-going device starts to turn on. You can also use larger delay times, for example, if you need the pulse train to start only after a number of cycles. The value you provide must be greater than or equal to zero.

DependenciesEnabled when the **Simulation mode** parameter is set to PWM.**Pulse width offset — Lengthens or shortens the pulse**

0 s (default)

The demanded pulse width as defined by the product of the demanded duty cycle and one over the pulse frequency can be offset by the value you provide for **Pulse width offset**. A positive value acts

to lengthen the pulse by a fixed amount. A negative value acts to shorten the pulse. You can use this parameter, along with the **Pulse delay time**, to fine-tune switching times so as to minimize switching losses in some circuits.

Dependencies

Enabled when the **Simulation mode** parameter is set to PWM.

Minimum pulse width — Minimum length of pulse

0 s (default)

The minimum pulse length, based on the internal clock or defined programmatically, to protect the device being driven. The value you provide must be greater than or equal to zero.

Dependencies

Enabled when the **Simulation mode** parameter is set to PWM.

Simulation mode — Select type of output voltage

PWM (default) | Averaged

Select the type of output voltage:

- **PWM** — Produces a pulse-width modulated signal.
- **Averaged** — The output is a constant whose value is equal to the average value of the PWM signal.

Switching event type — Select type of switching event

Asynchronous — Best for variable-step solvers (default) | Discrete-time — Best for fixed-step solvers

Select the switching event type when moving between output high and output low states:

- **Asynchronous — Best for variable-step solvers** — This option is more efficient for desktop simulation with variable-step solvers, because it requires fewer simulation steps for the same level of accuracy.
- **Discrete-time — Best for fixed-step solvers** — Use with fixed-step solvers, including the local solver. For more information, see “Simulating with Fixed Time Step — Local and Global Fixed-Step Solvers”.

Dependencies

Enabled when the **Simulation mode** parameter is set to PWM.

Sample time — Discrete sampling time

1e-6 s (default)

The time between updates of the block output state. The sample time must be a multiple of the simulation step size. In order for the PWM control to have sufficient resolution, set the sample time to less than one hundredth of the PWM period. (The PWM period is one over the PWM frequency.)

Dependencies

Enabled when the **Switching event type** parameter is set to Discrete-time — Best for fixed-step solvers.

Input Scaling

Input voltage for 0% duty cycle – Vmin

0 V (default)

Value of the input voltage at which the PWM signal has a 0% duty cycle.

Dependencies

Enabled for the **Electrical input ports** variant of the block.

Input voltage for 100% duty cycle – Vmax

5 V (default)

Value of the input voltage at which the PWM signal has a 100% duty cycle.

Dependencies

Enabled for the **Electrical input ports** variant of the block.

Input value for 0% duty cycle – Minimum signal value

0 (default)

Value of the input signal at which the PWM signal has a 0% duty cycle.

Dependencies

Enabled for the **PS input** variant of the block.

Input value for 100% duty cycle – Maximum signal value

1 (default)

Value of the input signal at which the PWM signal has a 100% duty cycle

Dependencies

Enabled for the **PS input** variant of the block.

Output Voltage

Output voltage amplitude – Signal amplitude for high output

5 V (default)

Amplitude of the PWM signal when the output is high.

Extended Capabilities

C/C++ Code Generation

Generate C and C++ code using Simulink® Coder™.

See Also

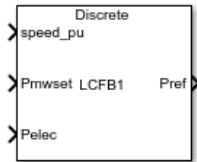
Gate Driver | H-Bridge | Half-Bridge Driver

Introduced in R2008b

Controller LCFB1

Load controller for turbine-governor model

Library: Simscape / Electrical / Control / Turbine-Governors

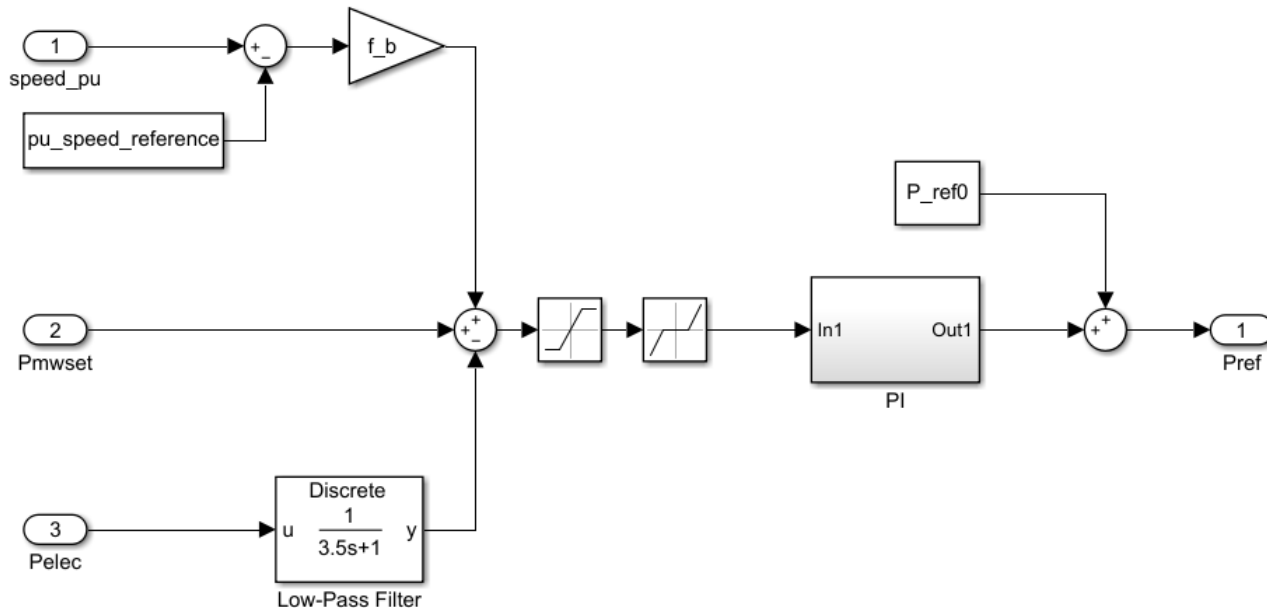


Description

The Controller LCFB1 block models a model LCFB1 turbine load controller. You can use this load controller with any turbine-governor model, such as the Governor Type 1 or Governor Type 3 blocks.

You can switch between continuous and discrete implementations of the block by using the **Sample time (-1 for inherited)** parameter. To configure the controller for continuous time, set the **Sample time (-1 for inherited)** property to 0. To configure the controller for discrete time, set the **Sample time (-1 for inherited)** property to a positive, nonzero value, or to -1 to inherit the sample time from an upstream block.

This diagram illustrates the overall structure of the block:



Ports

Input

speed_pu — Speed load
scalar

Speed load, specified as a scalar.

Data Types: `single` | `double`

Pmwset — Power setpoint

scalar

Power setpoint value, specified as a scalar.

Data Types: `single` | `double`

Pelec — Electrical power input

scalar

Electrical power input, specified as a scalar.

Data Types: `single` | `double`

Output

Pref — Bias

scalar

Bias to apply to a turbine-governor speed load reference, returned as a scalar.

Data Types: `single` | `double`

Parameters

Speed reference (pu) — Speed reference

1 (default) | scalar

Per-unit speed reference.

Initial power reference, P_ref0 (pu) — Initial power reference

0.45 (default) | scalar

Per-unit power reference at the start of the simulation.

Controller deadband (pu) — Deadband of controller

0 (default) | scalar

Per-unit deadband of the controller.

Maximum error, e_max (pu) — Maximum error

0.1 (default) | scalar

Maximum possible error.

Frequency bias gain, f_b (pu) — Gain of frequency bias

0 (default) | scalar

Per-unit gain of the frequency bias.

Proportional gain, K_p (pu) — Proportional gain for PI control

0 (default) | scalar

Per-unit proportional gain for PI control.

Integral gain, K_i (pu/s) – Integral gain for PI control

0.1 (default) | scalar

Per-unit integral gain for PI control.

Power transducer time constant, T_{pelec} (s) – Time constant of power transducer

3.5 (default) | scalar

Time constant of the power transducer, in seconds. The power transducer is represented by the block labeled "Low-Pass Filter" in the diagram.

Maximum output, I_{rmax} (pu) – Upper limit of the output

0.035 (default) | scalar

Per-unit upper saturation limit for the output.

Sample time (-1 for inherited) – Block sample time

-1 (default) | 0 | positive scalar

Time between consecutive block executions. During execution, the block produces outputs and, if appropriate, updates its internal state. For more information, see “What Is Sample Time?” and “Specify Sample Time”.

For inherited discrete-time operation, specify -1. For discrete-time operation, specify a positive integer. For continuous-time operation, specify 0.

If this block is in a masked subsystem, or other variant subsystem that allows you to switch between continuous operation and discrete operation, promote the sample time parameter. Promoting the sample time parameter ensures correct switching between the continuous and discrete implementations of the block. For more information, see “Promote Parameter to Mask”.

References

[1] Task Force on Turbine-Governor Modeling, *Dynamic models for turbine-governors in power system studies*, IEEE Power Energy Society, January 2013.

Extended Capabilities

C/C++ Code Generation

Generate C and C++ code using Simulink® Coder™.

See Also

Blocks

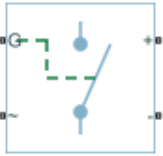
Governor Type 1 | Governor Type 3

Introduced in R2020a

Converter (Three-Phase)

Controller-driven bidirectional AC/DC three-arm converter

Library: Simscape / Electrical / Semiconductors & Converters / Converters

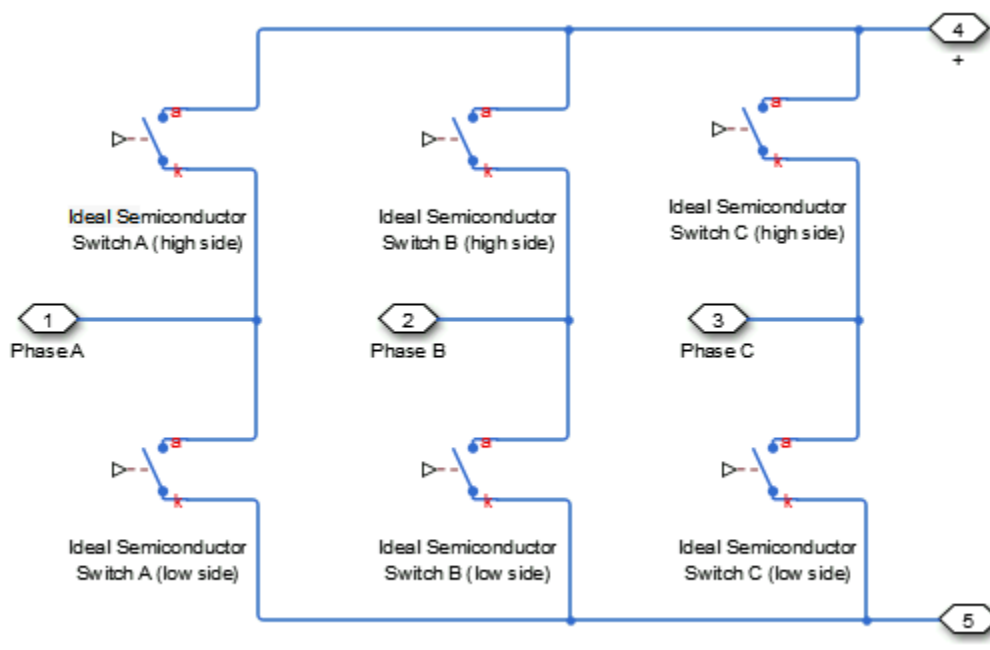


Description

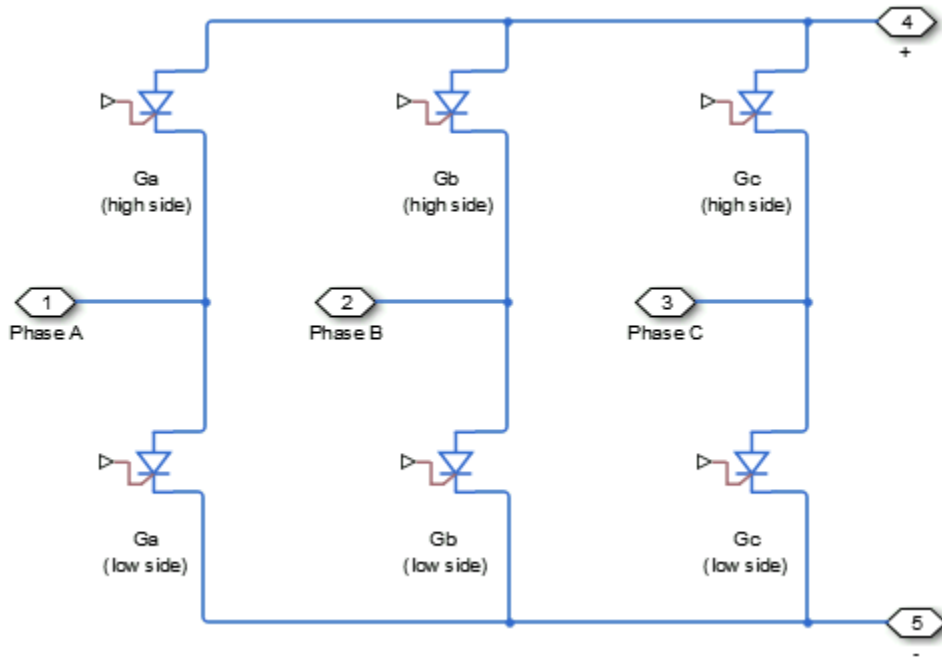
The Converter (Three-Phase) block models a three-arm converter circuit that connects a three-phase AC network to a DC network.

Each component in the three-arm circuit is the same switching device, which you specify using an option on the Converter (Three-Phase) block dialog box. The switching devices that you can specify are implementations of blocks in the **Simscape > Electrical > Semiconductors & Converters > Semiconductors** library.

The figure shows the equivalent circuit for a converter with fully controlled switching devices (e.g. IGBTs, GTOs).



The figure shows the equivalent circuit for a converter with partially controlled switching devices (e.g. thyristors).



Control the gate ports of the six switching devices via an input to port **G** on the Converter (Three-Phase) block:

- 1 Mux all six gate signals into a single vector with a Six-Pulse Gate Multiplexer block.
- 2 Connect the output of the Six-Pulse Gate Multiplexer block to the Converter (Three-Phase) block **G** port.

You can specify an integral protection diode for each switching device. An integral diode protects the semiconductor device by providing a conduction path for reverse current. An inductive load can produce a high reverse-voltage spike when the semiconductor device suddenly switches off the voltage supply to the load.

The table shows you how to set the **Integral protection diode** parameter based on your goals.

Goals	Value to Select	Integral Protection Diode
Prioritize simulation speed.	Diode with no dynamics	The Diode block
Prioritize model fidelity by precisely specifying reverse-mode charge dynamics.	Diode with charge dynamics	The dynamic model of the Diode block

You can include a snubber circuit, consisting of a resistor and capacitor connected in series, for each switching device. Snubber circuits protect switching devices against high voltages that inductive loads produce when the device turns off the voltage supply to the load. Snubber circuits also prevent excessive rates of change of current when a switching device turns on.

Ports

Conserving

G – Gate terminals

electrical

Vector input port associated with the gate terminals of the switching devices. Connect this port to a Six-Pulse Gate Multiplexer block.

~ – Three-phase port

electrical

Expandable three-phase port

+ – Positive terminal

electrical

Electrical conserving port associated with the DC positive terminal

- – Negative terminal

electrical

Electrical conserving port associated with the DC negative terminal

Parameters

Switching device – Switching device

Ideal Semiconductor Switch (default) | GTO | IGBT | MOSFET | Thyristor | Averaged Switch

Converter switching device. The default value is Ideal Semiconductor Switch.

The switching devices you can select are:

- “Switching Devices: GTO” on page 1-267
- “Switching Devices: Ideal Semiconductor Switch” on page 1-268
- “Switching Devices: IGBT” on page 1-269
- “Switching Devices: MOSFET” on page 1-269
- “Switching Devices: Thyristor” on page 1-270
- “Switching Devices: Averaged Switch” on page 1-270

Dependencies

Multiple additional parameters will become visible depending on the choice of the specific switching device.

Switching Devices: GTO

For more information, see GTO.

The parameters for this switching device will be visible only if you select it in the **Switching device** parameter.

Forward voltage, Vf — Forward voltage

0.8 V (default)

Minimum voltage required across the anode and cathode block ports for the gradient of the device i-v characteristic to be $1/R_{on}$, where R_{on} is the value of **On-state resistance**.

On-state resistance — On-state resistance

0.001 Ohm (default)

Rate of change of voltage versus current above the forward voltage.

Off-state Conductance — Off-state conductance

1e-6 1/Ohm (default)

Anode-cathode conductance when the device is off. The value must be less than $1/R$, where R is the value of **On-state resistance**.

Gate trigger voltage, Vgt — Gate trigger voltage

1 V (default)

Gate-cathode voltage threshold. The device turns on when the gate-cathode voltage is above this value.

Gate turn-off voltage, Vgt_off — Gate turn-off voltage

-1 V (default)

Gate-cathode voltage threshold. The device turns off when the gate-cathode voltage is below this value.

Holding current — Holding current

1 A (default)

Current threshold. The device stays on when the current is above this value, even when the gate-cathode voltage falls below the gate trigger voltage.

Switching Devices: Ideal Semiconductor Switch

For more information, see Ideal Semiconductor Switch.

The parameters for this switching device will be visible only if you select it in the **Switching device** parameter.

On-state resistance — On-state resistance

0.001 Ohm (default)

Anode-cathode resistance when the device is on.

Off-state Conductance — Off-state conductance

1e-6 1/Ohm (default)

Anode-cathode conductance when the device is off. The value must be less than $1/R$, where R is the value of **On-state resistance**.

Threshold voltage, Vth — Threshold voltage

6 V (default)

Gate-cathode voltage threshold. The device turns on when the gate-cathode voltage is above this value.

Switching Devices: IGBT

For more information, see IGBT (Ideal, Switching).

The parameters for this switching device will be visible only if you select it in the **Switching device** parameter.

Forward voltage, V_f — Forward voltage

0.8 V (default)

Minimum voltage required across the collector and emitter block ports for the gradient of the diode $i-v$ characteristic to be $1/R_{on}$, where R_{on} is the value of **On-state resistance**.

On-state resistance — On-state resistance

0.001 Ohm (default)

Collector-emitter resistance when the device is on.

Off-state Conductance — Off-state conductance

1e-6 1/Ohm (default)

Collector-emitter conductance when the device is off. The value must be less than $1/R$, where R is the value of **On-state resistance**.

Threshold voltage, V_{th} — Threshold voltage

6 V (default)

Gate-emitter voltage at which the device turns on.

Switching Devices: MOSFET

For more information, see MOSFET (Ideal, Switching).

The parameters for this switching device will be visible only if you select it in the **Switching device** parameter.

Drain-source on resistance, $R_{DS(on)}$ — Drain-source on resistance

0.001 Ohm (default)

Drain-source resistance when the device is on.

Off-state Conductance — Off-state conductance

1e-6 1/Ohm (default)

Drain-source conductance when the device is off. The value must be less than $1/R$, where R is the value of **On-state resistance**.

Threshold voltage, V_{th} — Threshold voltage

6 V (default)

Gate-source voltage threshold. The device turns on when the gate-source voltage is above this value.

Switching Devices: Thyristor

The parameters for this switching device will be visible only if you select it in the **Switching device** parameter.

For more information, see Thyristor (Piecewise Linear).

Forward voltage, Vf — Forward voltage

0.8 V (default)

Forward voltage at which the device turns on.

On-state resistance — On-state resistance

0.001 Ohm (default)

Anode-cathode resistance when the device is on.

Off-state Conductance — Off-state conductance

1e-6 1/Ohm (default)

Anode-cathode conductance when the device is off. The value must be less than $1/R$, where R is the value of **On-state resistance**.

Gate trigger voltage, Vgt — Gate trigger voltage

1 V (default)

Gate-cathode voltage threshold. The device turns on when the gate-cathode voltage is above this value.

Holding current — Holding current

1 A (default)

Current threshold. The device stays on when the current is above this value, even when the gate-cathode voltage falls below the gate trigger voltage.

Switching Devices: Averaged Switch

The parameter for this switching device will be visible only if you select it in the **Switching device** parameter.

Note If you select this mode, the value of the gate signals must be between 0 and 1.

On-state resistance — On-state resistance

0.001 Ohm (default)

Anode-cathode resistance when the device is on.

Integral Diodes**Integral protection diode — Integral protection diode**

None (default) | Diode with no dynamics | Diode with charge dynamics

Integral protection diode for each switching device.

The diodes you can select are:

- Diode with no dynamics
- Diode with charge dynamics

Note If you select Averaged Switch for the **Switching Device** parameter in the **Switching Device** setting, this parameter is not visible and Diode with no dynamics is automatically selected.

Forward voltage — Forward voltage

0.8 V (default)

Minimum voltage required across the + and - block ports for the gradient of the diode I-V characteristic to be $1/R_{on}$, where R_{on} is the value of **On resistance**.

Dependencies

To enable this parameter, set **Integral protection diode** to Diode with no dynamics or Diode with charge dynamics.

On resistance — On resistance

0.001 Ohm (default)

Rate of change of voltage versus current above the **Forward voltage**.

Dependencies

To enable this parameter, set **Integral protection diode** to Diode with no dynamics or Diode with charge dynamics.

Off conductance — Off conductance

1e-5 1/Ohm (default)

Conductance of the reverse-biased diode.

Dependencies

To enable this parameter, set **Integral protection diode** to Diode with no dynamics or Diode with charge dynamics.

Junction capacitance — Junction capacitance

50e-9 F (default)

Diode junction capacitance.

Dependencies

To enable this parameter, set **Integral protection diode** to Diode with charge dynamics.

Peak reverse current, i_{RM} — Peak reverse current

-235 A (default) | negative scalar

Peak reverse current measured by an external test circuit. This value must be less than zero. The default value is -235 A.

Dependencies

To enable this parameter, set **Integral protection diode** to Diode with charge dynamics.

Initial forward current when measuring iRM — Initial forward current when measuring iRM

300 A (default) | positive scalar

Initial forward current when measuring peak reverse current. This value must be greater than zero.

Dependencies

To enable this parameter, set **Integral protection diode** to Diode with charge dynamics.

Rate of change of current when measuring iRM — Rate of change of current when measuring iRM

-50A/μs (default) | negative scalar

Rate of change of current when measuring peak reverse current. This value must be less than zero.

Dependencies

To enable this parameter, set **Integral protection diode** to Diode with charge dynamics.

Reverse recovery time parameterization — Reverse recovery time parameterization

Specify reverse recovery time directly (default) | Specify stretch factor | Specify reverse recovery charge

Determines how you specify reverse recovery time in the block. The default value is Specify reverse recovery time directly.

If you select Specify stretch factor or Specify reverse recovery charge, you specify a value that the block uses to derive the reverse recovery time. For more information on these options, see “How the Block Calculates TM and Tau” on page 1-374.

Dependencies

To enable this parameter, set **Integral protection diode** to Diode with charge dynamics.

Reverse recovery time, trr — Reverse recovery time

15 μs (default)

Interval between the time when the current initially goes to zero (when the diode turns off) and the time when the current falls to less than 10% of the peak reverse current. The value of the **Reverse recovery time, trr** parameter must be greater than the value of the **Peak reverse current, iRM** parameter divided by the value of the **Rate of change of current when measuring iRM** parameter.

Dependencies

To enable this parameter, set **Integral protection diode** to Diode with charge dynamics and **Reverse recovery time parameterization** to Specify reverse recovery time directly.

Reverse recovery time stretch factor — Reverse recovery time stretch factor

3 (default)

Value that the block uses to calculate **Reverse recovery time, trr**. This value must be greater than 1. Specifying the stretch factor is an easier way to parameterize the reverse recovery time than

specifying the reverse recovery charge. The larger the value of the stretch factor, the longer it takes for the reverse recovery current to dissipate.

Dependencies

To enable this parameter, set **Integral protection diode** to Diode with charge dynamics and **Reverse recovery time parameterization** to Specify stretch factor.

Reverse recovery charge, Q_{rr} — Reverse recovery charge

1500 μ As (default)

Value that the block uses to calculate **Reverse recovery time, t_{rr}** . Use this parameter if the data sheet for your diode device specifies a value for the reverse recovery charge instead of a value for the reverse recovery time.

The reverse recovery charge is the total charge that continues to dissipate when the diode turns off.

The value must be less than $-\frac{i_{RM}^2}{2a}$,

where:

- i_{RM} is the value specified for **Peak reverse current, i_{RM}** .
- a is the value specified for **Rate of change of current when measuring i_{RM}** .

Dependencies

To enable this parameter, set **Integral protection diode** to Diode with charge dynamics and **Reverse recovery time parameterization** to Specify reverse recovery charge.

For more information on these parameters, see Diode.

Snubbers

The **Snubbers** parameters tab is not visible if you set **Switching device** to Averaged Switch.

Snubber — Snubber

None (default) | RC snubber

Snubber for each switching device:

- None - This is the default value.
- RC snubber

Snubber resistance — Snubber resistance

0.1 Ohm (default)

Snubber resistance.

Dependencies

This parameter is visible only when the **Snubber** parameter is set to RC snubber.

Snubber capacitance — Snubber capacitance

1e-7 F (default)

Snubber capacitance.

Dependencies

This parameter is visible only when the **Snubber** parameter is set to RC snubber.

Extended Capabilities**C/C++ Code Generation**

Generate C and C++ code using Simulink® Coder™.

See Also

Average-Value DC-DC Converter | Bidirectional DC-DC Converter | Boost Converter | Buck Converter | Buck-Boost Converter | GTO | IGBT (Ideal, Switching) | Ideal Semiconductor Switch | MOSFET (Ideal, Switching) | PWM Generator | PWM Generator (Three-phase, Two-level) | Six-Pulse Gate Multiplexer | Three-Level Converter (Three-Phase) | Thyristor (Piecewise Linear)

Topics

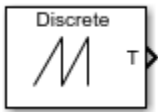
“Expand and Collapse Three-Phase Ports on a Block”

Introduced in R2013b

Counter

Discrete- or continuous-time counter

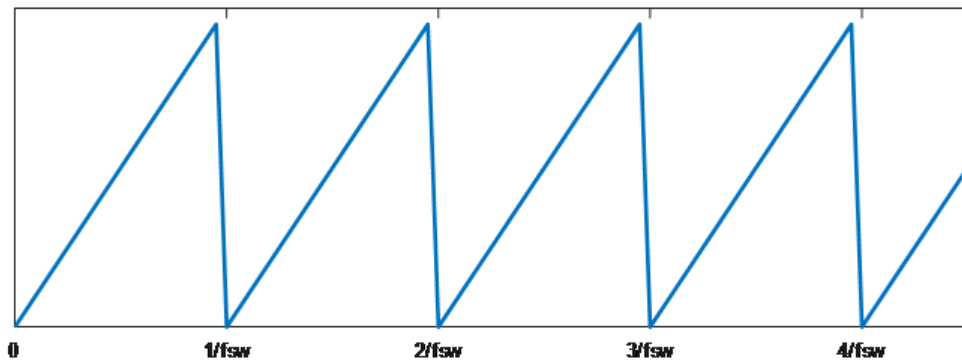
Library: Simscape / Electrical / Control / General Control / Function Blocks



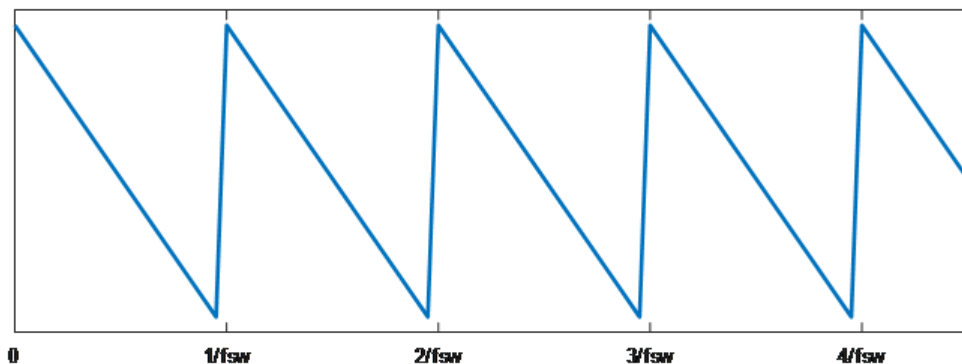
Description

The Counter block implements an incremental counter in either discrete or continuous time. The counter increments in response to one of these criteria:

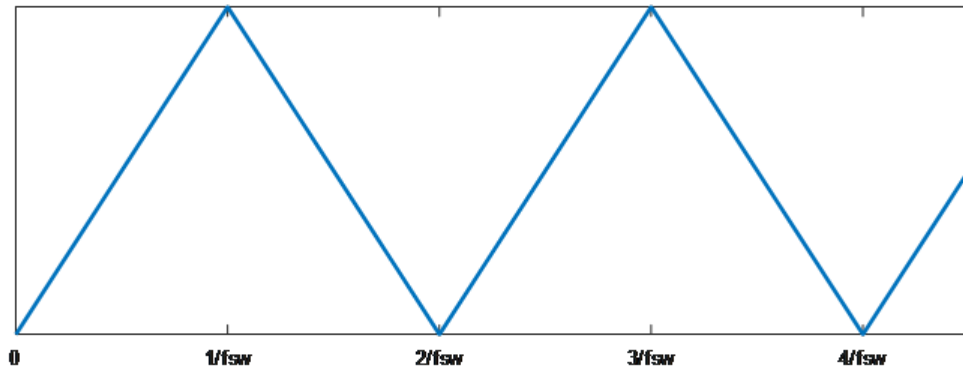
- Up — The input goes up.



- Down — The input goes down.



- Up-Down — The input goes up or down.



Ports

Output

T – Counter value

scalar

Counter value.

Data Types: single | double

Parameters

Counter type – Counter strategy

Up (default) | Down | Up-Down

Counter type.

Output range – Range

[0 1] (default) | [-1 1]

Range for the output.

Timer period (s) – Period

0.001 (default) | positive scalar

Timer period, in s.

Phase delay (s) – Delay

0 (default) | 0 or positive scalar

Phase delay, in s. Add a phase delay to change the initial state of the counter.

Sample time – Block sample time

0.0001 (default) | 0 or positive scalar

Time between consecutive block executions. During execution, the block produces outputs and, if appropriate, updates its internal state. For more information, see “What Is Sample Time?” and “Specify Sample Time”.

For discrete-time simulation, set the sample time to a positive scalar. For continuous-time simulation, set the sample time to 0.

Extended Capabilities

C/C++ Code Generation

Generate C and C++ code using Simulink® Coder™.

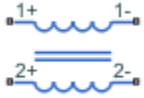
See Also

Introduced in R2018b

Coupled Lines (Pair)

Magnetically couple two lines

Library: Simscape / Electrical / Passive / Lines



Description

The Coupled Lines (Pair) block models two magnetically coupled lines. Each line has a self-inductance, series resistance, and parallel conductance. In addition, there is a mutual inductance and mutual resistance between the two lines.

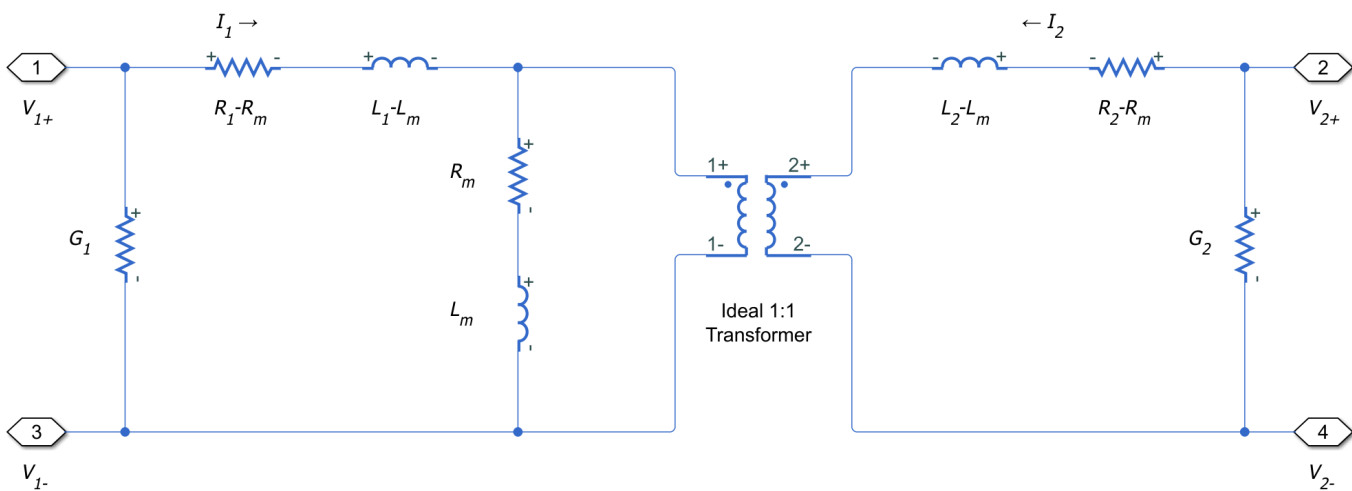
Use this block when the magnetic coupling between the two lines is nonnegligible. These effects are most prominent when:

- The lines are parallel and close together.
- The self-inductances of the lines are high.
- The AC frequency of the network is high.

To model magnetic coupling of a three-phase line, use the Coupled Lines block.

Equivalent Circuit

The figure shows the equivalent circuit for a pair of coupled lines.



Here:

- R_1 and R_2 are the series resistances of lines 1 and 2, respectively.

- L_1 and L_2 are the self-inductances of lines 1 and 2, respectively.
- R_m is the mutual resistance between the two lines. You can use this parameter to account for losses in a common return path.
- L_m is the mutual inductance between the two lines.
- G_1 and G_2 are the leakage conductances of lines 1 and 2, respectively.
- V_1 and V_2 are voltage drops across lines 1 and 2, respectively.
- I_1 and I_2 are the currents through the resistors $R_1 - R_m$ and $R_2 - R_m$, respectively.

Equations

The defining equation for this block is:

$$V = \begin{bmatrix} R_1 & R_m \\ R_m & R_2 \end{bmatrix} I + \begin{bmatrix} L_1 & L_m \\ L_m & L_2 \end{bmatrix} \frac{dI}{dt},$$

where:

$$V = \begin{bmatrix} V_1 \\ V_2 \end{bmatrix},$$

$$I = \begin{bmatrix} I_1 \\ I_2 \end{bmatrix}.$$

I_1 and I_2 are, in general, not equal to the currents in line 1 and line 2. These terminal currents make up the vector:

$$I_{total} = I + \begin{bmatrix} G_1 & 0 \\ 0 & G_2 \end{bmatrix} V.$$

Inductive Coupling

To quantify the strength of the coupling between the two lines, you can use a coupling factor or coefficient of coupling k . The coupling factor relates the mutual inductance to the line self-inductances:

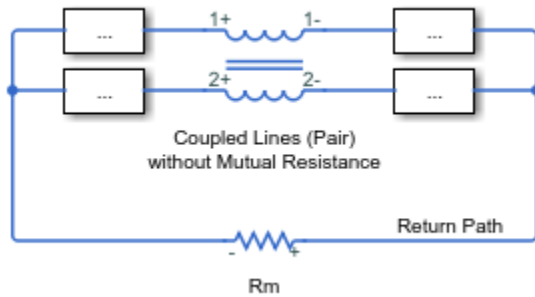
$$L_m = k\sqrt{L_1 L_2}.$$

This coupling factor must fall in the range $-1 < k < 1$, where a negative coupling factor indicates a reversal in orientation of one of the coils. The magnitude of k indicates:

- $|k| = 0$ — There is no magnetic coupling between the two lines.
- $0 < |k| < 0.5$ — The two lines are loosely coupled and mutual magnetic effects are small.
- $0.5 \leq |k| < 1$ — The two lines are strongly coupled and mutual magnetic effects are large.

Mutual Resistance

If the two lines share a common return path, you can model the resistance of this return path using the **Mutual resistance** parameter. This workflow is equivalent to setting the **Mutual resistance** to zero and explicitly modeling the return path resistance R_m , as shown in this diagram.



If the two lines do not share a common return path, set the mutual resistance parameter to zero and model each of the return resistances explicitly.

Ports

Conserving

1+ – Line 1 positive terminal

electrical

Electrical conserving port associated with the positive terminal of line 1.

1- – Line 1 negative terminal

electrical

Electrical conserving port associated with the negative terminal of line 1.

2+ – Line 2 positive terminal

electrical

Electrical conserving port associated with the positive terminal of line 2.

2- – Line 2 negative terminal

electrical

Electrical conserving port associated with the negative terminal of line 2.

Parameters

Parameters

Parameterization – Line impedance parameterization

Balanced impedance (default) | General impedance

Specify how to parameterize the impedance of the two lines:

Balanced impedance

Specify the same series resistance, series inductance, and parallel leakage conductance for both lines.

General impedance

Specify the series resistance, series inductance, and parallel leakage conductance separately for each line.

Line 1 inductance — Line 1 self-inductance

1e-3 H (default)

Self-inductance of line 1. This value must be greater than zero.

Dependencies

To enable this parameter, set **Parameterization** to General impedance.

Line 2 inductance — Line 2 self-inductance

1e-3 H (default)

Self-inductance of line 2. This value must be greater than zero.

Dependencies

To enable this parameter, set **Parameterization** to General impedance.

Line inductance — Self-inductance

1e-3 H (default)

Self-inductance of line 1 and line 2. This value must be greater than zero.

Dependencies

To enable this parameter, set **Parameterization** to Balanced impedance.

Mutual inductance — Mutual inductance between lines

3e-4 H (default)

Mutual inductance between line 1 and line 2. If you know the coupling factor, set this value to $k\sqrt{L_1L_2}$. To have a physically realizable mutual inductance, this value must satisfy:

$$-\sqrt{L_1L_2} < L_m < \sqrt{L_1L_2}.$$

Line 1 resistance — Line 1 series resistance

0.001 Ohm (default)

Series resistance of line 1. This value must be greater than or equal to zero.

Dependencies

To enable this parameter, set **Parameterization** to General impedance.

Line 2 resistance — Line 2 series resistance

0.001 Ohm (default)

Series resistance of line 2. This value must be greater than or equal to zero.

Dependencies

To enable this parameter, set **Parameterization** to General impedance.

Line resistance – Series resistance

0.001 Ohm (default)

Series resistance of line 1 and line 2. This value must be greater than or equal to zero.

Dependencies

To enable this parameter, set **Parameterization** to Balanced impedance.

Mutual resistance – Mutual resistance between lines

0 Ohm (default)

Mutual resistance between line 1 and line 2. This value must be greater than or equal to zero. Use this value to account for losses in a common return path.

Line 1 leakage conductance – Line 1 parallel leakage conductance

1e-9 1/Ohm (default)

Parallel leakage conductance of line 1. This value must be greater than or equal to zero.

Dependencies

To enable this parameter, set **Parameterization** to General impedance.

Line 2 leakage conductance – Line 2 parallel leakage conductance

1e-9 1/Ohm (default)

Parallel leakage conductance of line 2. This value must be greater than or equal to zero.

Dependencies

To enable this parameter, set **Parameterization** to General impedance.

Line leakage conductance – Parallel leakage conductance

1e-9 1/Ohm (default)

Parallel leakage conductance of line 1 and line 2. This value must be greater than or equal to zero.

Dependencies

To enable this parameter, set **Parameterization** to Balanced impedance.

Extended Capabilities**C/C++ Code Generation**

Generate C and C++ code using Simulink® Coder™.

See Also

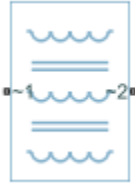
Coupled Lines

Introduced in R2018a

Coupled Lines (Three-Phase)

Magnetically couple three-phase lines

Library: Simscape / Electrical / Passive / Lines



Description

The Coupled Lines (Three-Phase) block models three magnetically coupled lines. Each line has a self-inductance, series resistance, and parallel conductance. In addition, there is a mutual inductance and mutual resistance between each pair of lines.

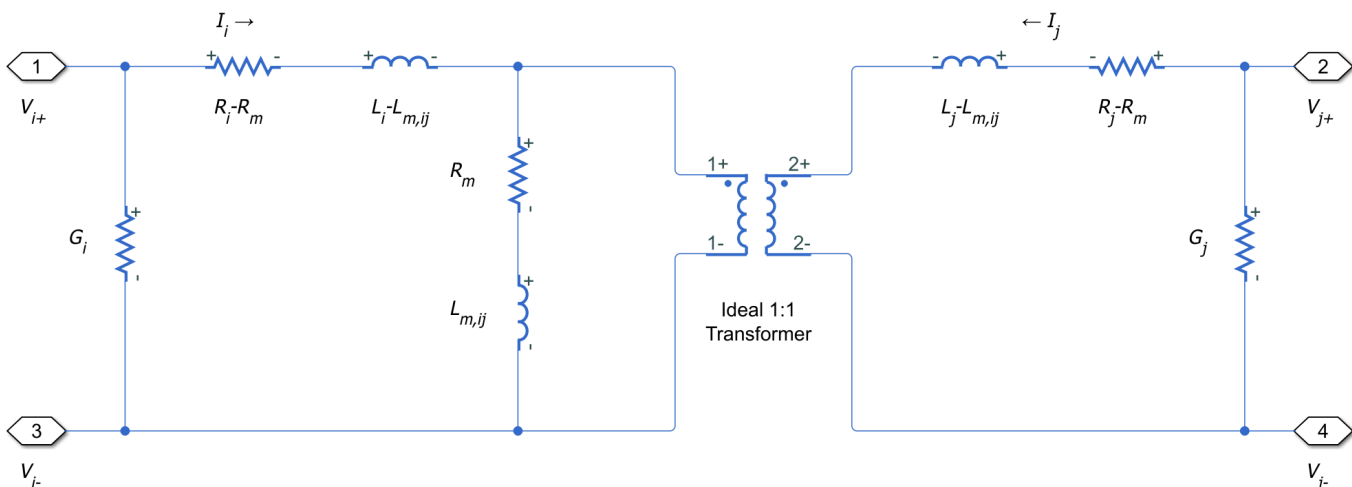
Use this block when the magnetic coupling in a three-phase network is nonnegligible. These effects are most prominent when:

- The lines are parallel and close together.
- The self-inductances of the lines are high.
- The AC frequency of the network is high.

To model magnetic coupling of a single pair of lines, use the Coupled Lines (Pair) block. To model capacitive coupling between the lines, use the Transmission Line block.

Equivalent Circuit

The equivalent circuit shows the coupling between two arbitrary phases i , and j . The block models the magnetic coupling using such an equivalent circuit between each of the three phases a , b , and c .



Here:

- R_i and R_j are the series resistances of lines i and j , respectively.
- L_i and L_j are the self-inductances of lines i and j , respectively.
- R_m is the mutual resistance between the two lines. You can use this parameter to account for losses in a common return path.
- $L_{m,ij}$ is the mutual inductance between lines i and j , respectively.
- G_i and G_j are the leakage conductances of lines i and j , respectively.
- V_i and V_j are voltage drops across lines i and j , respectively.
- I_i and I_j are the currents through the resistors R_i-R_m and R_j-R_m , respectively.

Equations

The defining equation for this block is:

$$V = \begin{bmatrix} R_a & R_m & R_m \\ R_m & R_b & R_m \\ R_m & R_m & R_c \end{bmatrix} I + \begin{bmatrix} L_a & L_{m,ab} & L_{m,ac} \\ L_{m,ab} & L_b & L_{m,bc} \\ L_{m,ac} & L_{m,bc} & L_c \end{bmatrix} \frac{dI}{dt},$$

where:

$$V = \begin{bmatrix} V_a \\ V_b \\ V_c \end{bmatrix},$$

$$I = \begin{bmatrix} I_a \\ I_b \\ I_c \end{bmatrix}.$$

I_a , I_b , and I_c are, in general, not equal to the currents in lines a , b , and c . These terminal currents make up the vector:

$$I_{total} = I + \begin{bmatrix} G_a & 0 & 0 \\ 0 & G_b & 0 \\ 0 & 0 & G_c \end{bmatrix} V.$$

Inductive Coupling

To quantify the strength of the coupling between the two lines, you can use a coupling factor or coefficient of coupling k . The coupling factor relates the mutual inductance to the line self-inductances:

$$L_{m,ij} = k\sqrt{L_i L_j}.$$

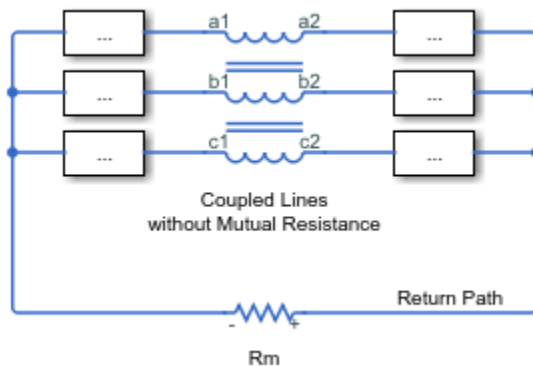
This coupling factor must fall in the range $-1 < k < 1$, where a negative coupling factor indicates a reversal in orientation of one of the coils. The magnitude of k indicates:

- $|k| = 0$ — There is no magnetic coupling between the two lines.
- $0 < |k| < 0.5$ — The two lines are loosely coupled and mutual magnetic effects are small.

- $0.5 \leq |k| < 1$ — The two lines are strongly coupled and mutual magnetic effects are large.

Mutual Resistance

If the three lines share a common return path, you can model the resistance of this return path using the **Mutual resistance** parameter R_m . This workflow is equivalent to setting the **Mutual resistance** to zero and explicitly modeling the return path resistance R_m , as shown in this diagram.



If the three lines do not share a common return path, set the mutual resistance parameter to zero and model each of the return resistances explicitly.

Ports

Conserving

~1 — Line 1 positive terminal

electrical

Expandable three-phase electrical conserving port associated with the positive terminals of lines a , b , and c . To use this composite port, right-click the block and select **Simscape > Block choices > Composite three-phase port**.

~2 — Line 1 negative terminal

electrical

Expandable three-phase electrical conserving port associated with the negative terminals of lines a , b , and c . To use this composite port, right-click the block and select **Simscape > Block choices > Composite three-phase port**.

a1 — Line a positive terminal

electrical

Electrical conserving port associated with the positive terminal of line a . To use this expanded port, right-click the block and select **Simscape > Block choices > Expanded three-phase port**.

a2 — Line a negative terminal

electrical

Electrical conserving port associated with the negative terminal of line a . To use this expanded port, right-click the block and select **Simscape > Block choices > Expanded three-phase port**.

b1 – Line *b* positive terminal

electrical

Electrical conserving port associated with the positive terminal of line *b*. To use this expanded port, right-click the block and select **Simscape > Block choices > Expanded three-phase port**.

b2 – Line *b* negative terminal

electrical

Electrical conserving port associated with the negative terminal of line *b*. To use this expanded port, right-click the block and select **Simscape > Block choices > Expanded three-phase port**.

c1 – Line *c* positive terminal

electrical

Electrical conserving port associated with the positive terminal of line *c*. To use this expanded port, right-click the block and select **Simscape > Block choices > Expanded three-phase port**.

c2 – Line *c* negative terminal

electrical

Electrical conserving port associated with the negative terminal of line *c*. To use this expanded port, right-click the block and select **Simscape > Block choices > Expanded three-phase port**.

Parameters**Main****Parameterization – Line impedance parameterization**

Balanced impedance (default) | General impedance

Specify how to parameterize the impedance of the three lines:

Balanced impedance

Specify the same series resistance, series inductance, and parallel leakage conductance for all lines.

General impedance

Specify the series resistance, series inductance, and parallel leakage conductance separately for each line.

Line *a* inductance – Line *a* self-inductance

1e-3 H (default)

Self-inductance of line *a*. This value must be greater than zero.

Dependencies

To enable this parameter, set **Parameterization** to General impedance.

Line *b* inductance – Line *b* self-inductance

1e-3 H (default)

Self-inductance of line *b*. This value must be greater than zero.

Dependencies

To enable this parameter, set **Parameterization** to General impedance.

Line c inductance – Line c self-inductance

1e-3 H (default)

Self-inductance of line *c*. This value must be greater than zero.

Dependencies

To enable this parameter, set **Parameterization** to General impedance.

Line inductance – Self-inductance

1e-3 H (default)

Self-inductance of lines *a*, *b*, and *c*. This value must be greater than zero.

Dependencies

To enable this parameter, set **Parameterization** to Balanced impedance.

Line a-b mutual inductance – Mutual inductance between a-b

3e-4 H (default)

Mutual inductance between lines *a* and *b*. If you know the coupling factor, set this value to $k\sqrt{L_a L_b}$. To have a physically realizable mutual inductance, this value must satisfy:

$$-\sqrt{L_a L_b} < L_{m,ab} < \sqrt{L_a L_b}.$$

Dependencies

To enable this parameter, set **Parameterization** to General impedance.

Line b-c mutual inductance – Mutual inductance between b-c

3e-4 H (default)

Mutual inductance between lines *b* and *c*. If you know the coupling factor, set this value to $k\sqrt{L_b L_c}$. To have a physically realizable mutual inductance, this value must satisfy:

$$-\sqrt{L_b L_c} < L_{m,bc} < \sqrt{L_b L_c}.$$

Dependencies

To enable this parameter, set **Parameterization** to General impedance.

Line a-c mutual inductance – Mutual inductance between a-c

3e-4 H (default)

Mutual inductance between lines *a* and *c*. If you know the coupling factor, set this value to $k\sqrt{L_a L_c}$. To have a physically realizable mutual inductance, this value must satisfy:

$$-\sqrt{L_a L_c} < L_{m,ac} < \sqrt{L_a L_c}.$$

Dependencies

To enable this parameter, set **Parameterization** to General impedance.

Mutual inductance – Mutual inductance

3e-4 H (default)

Mutual inductance between each pair of lines. If you know the coupling factor, set this value to kL , where L is the series inductance of each of the lines. To have a physically realizable mutual inductance, this value must satisfy:

$$-L < L_m < L.$$

Dependencies

To enable this parameter, set **Parameterization** to `Balanced impedance`.

Resistance**Line a resistance – Line a series resistance**

0.001 Ohm (default)

Series resistance of line a . This value must be greater than or equal to zero.

Dependencies

To enable this parameter, set **Parameterization** to `General impedance`.

Line b resistance – Line b series resistance

0.001 Ohm (default)

Series resistance of line b . This value must be greater than or equal to zero.

Dependencies

To enable this parameter, set **Parameterization** to `General impedance`.

Line c resistance – Line c series resistance

0.001 Ohm (default)

Series resistance of line c . This value must be greater than or equal to zero.

Dependencies

To enable this parameter, set **Parameterization** to `General impedance`.

Line resistance – Series resistance

0.001 Ohm (default)

Series resistance of lines a , b , and c . This value must be greater than or equal to zero.

Dependencies

To enable this parameter, set **Parameterization** to `Balanced impedance`.

Mutual resistance – Mutual resistance

0 Ohm (default)

Mutual resistance between each pair of lines. This value must be greater than or equal to zero. Use this value to account for losses in a common return path.

Line a leakage conductance — Line a parallel leakage conductance

1e-9 1/0hm (default)

Parallel leakage conductance of line *a*. This value must be greater than or equal to zero.

Dependencies

To enable this parameter, set **Parameterization** to General impedance.

Line b leakage conductance — Line b parallel leakage conductance

1e-9 1/0hm (default)

Parallel leakage conductance of line *b*. This value must be greater than or equal to zero.

Dependencies

To enable this parameter, set **Parameterization** to General impedance.

Line c leakage conductance — Line c parallel leakage conductance

1e-9 1/0hm (default)

Parallel leakage conductance of line *c*. This value must be greater than or equal to zero.

Dependencies

To enable this parameter, set **Parameterization** to General impedance.

Line leakage conductance — Parallel leakage conductance

1e-9 1/0hm (default)

Parallel leakage conductance of lines *a*, *b*, and *c*. This value must be greater than or equal to zero.

Dependencies

To enable this parameter, set **Parameterization** to Balanced impedance.

Extended Capabilities**C/C++ Code Generation**

Generate C and C++ code using Simulink® Coder™.

See Also

Coupled Lines (Pair)

Introduced in R2018a

Crystal

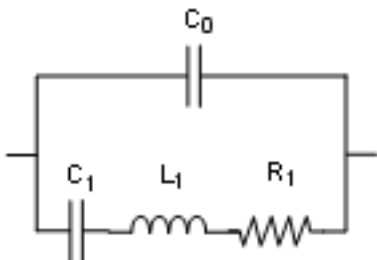
Stable resonator

Library: Simscape / Electrical / Passive



Description

The Crystal block represents the electrical characteristics of a crystal. The following figure shows the equivalent circuit model of the Crystal block.



You specify the equivalent circuit parameters for this model when you set the **Parameterization** parameter to `Equivalent circuit parameters`.

- The capacitor $C0$ corresponds to the capacitance you specify in the **Shunt capacitance, C0** parameter.
- The capacitor $C1$ corresponds to the capacitance you specify in the **Motional capacitance, C1** parameter.
- The inductor $L1$ corresponds to the inductance you specify in the **Motional inductance, L1** parameter.
- The resistor $R1$ corresponds to the resistance you specify in the **Equivalent series resistance, R1** parameter.

Most datasheets specify crystal frequency rather than inductance, so the block optionally accepts frequency data.

- When you set the **Parameterization** parameter to `Series resonance data`, the block uses the following relationship to calculate $L1$ from the series resonant frequency:

$$f_s = \frac{1}{2\pi\sqrt{L_1 C_1}}$$

Where f_s is the **Series resonance, fs** parameter value.

- When you set the **Parameterization** parameter to `Parallel resonance data`, the block uses the following relationship to calculate $L1$ from the parallel resonant frequency:

$$f_a = \frac{1}{2\pi\sqrt{L_1 C_1 (C_0 + C_L) / (C_1 + C_0 + C_L)}}$$

Where:

- f_a is the **Parallel resonance, fa** parameter value.
- C_L is the **Load capacitance, CL** parameter value.

Some datasheets specify quality factor rather than equivalent series resistance, so the block optionally accepts quality factor data. When you set the **R1 parameterization** parameter to **Quality factor Q**, the block uses the following relationship to calculate $R1$ from the quality factor:

$$Q = \frac{2\pi f L_1}{R_1}$$

Where Q is the **Quality factor, Q** parameter value.

Note The **R1 parameterization** parameter is only visible when you select **Series resonance data** or **Parallel resonance data** for the **Parameterization** parameter.

Assumptions and Limitations

- The Crystal block models only the fundamental crystal vibration mode.

Ports

Conserving

+ – Positive terminal

electrical

Electrical conserving port associated with the crystal positive voltage.

- – Negative terminal

electrical

Electrical conserving port associated with the crystal negative voltage.

Parameters

Parameterization – Block parameterization

Series resonance data (default) | Parallel resonance data | Equivalent circuit parameters

Select one of the following methods for block parameterization:

- **Series resonance data** — Provide series resonant frequency and capacitance data for the crystal. This method is the default.
- **Parallel resonance data** — Provide parallel resonant frequency and capacitance data for the crystal.
- **Equivalent circuit parameters** — Provide electrical parameters for an equivalent circuit model of the crystal.

Series resonance, fs — Crystal series resonant frequency

32.764 kHz (default)

Crystal series resonant frequency.

Dependencies

This parameter is visible only when you select `Series resonance` data for the **Parameterization** parameter.

Parallel resonance, fa — Crystal parallel resonant frequency

32.768 kHz (default)

Crystal parallel resonant frequency that corresponds to operating with a parallel load capacitance specified by the **Load capacitance, CL** parameter.

Dependencies

This parameter is visible only when you select `Parallel resonance` data for the **Parameterization** parameter.

Motional inductance, L1 — Motional inductance

6742 H (default)

Inductance that represents the mechanical mass of the crystal.

Dependencies

This parameter is visible only when you select `Equivalent circuit` parameters for the **Parameterization** parameter.

R1 parameterization — Series resistance parameterization

Equivalent series resistance R1 (default) | Quality factor Q

Select one of the following methods for series resistance parameterization:

- `Equivalent series resistance R1` — Provide the resistance value directly. This is the default method.
- `Quality factor Q` — Provide the quality factor that the block uses to calculate the resistance value.

Dependencies

This parameter is visible only when you select `Series resonance` data or `Parallel resonance` data for the **Parameterization** parameter.

Quality factor, Q — Crystal quality factor

90000 (default)

Crystal quality factor. This parameter is only visible when you make one of the following selections:

- `Series resonance` data for the **Parameterization** parameter and `Quality factor Q` for the **R1 parameterization** parameter
- `Parallel resonance` data for the **Parameterization** parameter and `Quality factor Q` for the **R1 parameterization** parameter

Dependencies

This parameter is visible only when you select:

- Series resonance data for the **Parameterization** parameter and Quality factor Q for the **R1 parameterization** parameter
- Parallel resonance data for the **Parameterization** parameter and Quality factor Q for the **R1 parameterization** parameter

Equivalent series resistance, R1 — Motional damping

15 kOhm (default)

Motional damping term. This parameter is only visible when you make one of the following selections:

- Series resonance data for the **Parameterization** parameter and Equivalent series resistance R1 for the **R1 parameterization** parameter
- Parallel resonance data for the **Parameterization** parameter and Equivalent series resistance R1 for the **R1 parameterization** parameter
- Equivalent circuit parameters for the **Parameterization** parameter

Dependencies

This parameter is visible only when you select:

- Series resonance data for the **Parameterization** parameter and Equivalent series resistance R1 for the **R1 parameterization** parameter
- Parallel resonance data for the **Parameterization** parameter and Equivalent series resistance R1 for the **R1 parameterization** parameter
- Equivalent circuit parameters for the **Parameterization** parameter

Motional capacitance, C1 — Motional capacitance

0.0035 pF (default)

Capacitance that represents crystal mechanical stiffness under load.

Load capacitance, CL — Load capacitance

12.5 pF (default)

Load capacitance that corresponds to the **Parallel resonance, fa** parameter value.

Dependencies

This parameter is visible only when you select Parallel resonance data for the **Parameterization** parameter.

Shunt capacitance, C0 — Shunt capacitance

1.6 pF (default) | positive scalar

Electrical capacitance between the two crystal electrical connections.

Initial voltage — Initial output voltage

0 V (default)

The output voltage at the start of the simulation when the output current is zero.

Extended Capabilities

C/C++ Code Generation

Generate C and C++ code using Simulink® Coder™.

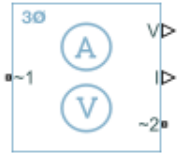
See Also

Introduced in R2009a

Current and Voltage Sensor (Three-Phase)

Ideal three-phase current and voltage sensor

Library: Simscape / Electrical / Sensors & Transducers



Description

The Current and Voltage Sensor (Three-Phase) block measures the voltage and current of a three-phase electrical node.

Note You must connect the Current and Voltage Sensor (Three-Phase) block in series with a three-phase element. For more information on how to use this block, see “Build and Simulate Composite and Expanded Three-Phase Models”.

Ports

Output

V — Voltage

physical signal

Three-element physical signal vector output port associated with the *a*-, *b*-, and *c*-phase voltages.

I — Current

physical signal

Three-element physical signal vector output port associated with the *a*-, *b*-, and *c*-phase currents.

Conserving

~1 — Three-phase voltage and current

electrical

Expandable three-phase electrical conserving port 1 associated with three-phase voltage and current.

~2 — Three-phase voltage and current

electrical

Expandable three-phase electrical conserving port 2 associated with three-phase voltage and current.

Parameters

Voltage measurement type — Voltage measurement type

phase-to-phase voltage (default) | phase-to-ground voltage

Type of voltage measurement.

Measurement output unit – Measurement system

Per unit (default) | SI

System of units for output current and voltage measurements.

Dependencies

Parameters for **Nominal power** and **Nominal voltage (phase-to-phase RMS)** are only visible if **Measurement output unit** is set to Per unit.

Nominal power – Nominal power

100e6 V*A (default)

Nominal power.

Dependencies

The **Nominal power** parameter is only visible if **Measurement output unit** is set to Per unit.

Nominal voltage (phase-to-phase RMS) – Nominal voltage

24e3 V (default)

Nominal phase-to-phase root-mean-square (RMS) voltage.

Dependencies

The **Nominal voltage (phase-to-phase RMS)** parameter is only visible if **Measurement output unit** is set to Per Unit.

Extended Capabilities**C/C++ Code Generation**

Generate C and C++ code using Simulink® Coder™.

See Also

Current Sensor (Three-Phase) | Line Voltage Sensor (Three-Phase) | Phase Voltage Sensor (Three-Phase) | Power Sensor

Topics

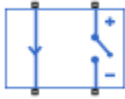
“Expand and Collapse Three-Phase Ports on a Block”

Introduced in R2019a

Current-Controlled Switch

Current-controlled switch with hysteresis

Library: Simscape / Electrical / Additional Components / SPICE Passives



Description

The Current-Controlled Switch block represents the electrical characteristics of a switch whose state is controlled by the current through the input ports (the controlling current).

This block models either a variable-resistance or a short-transition switch. For a variable-resistance switch, set the **Switch model** parameter to Smooth transition between I_{on} and I_{off} . For a short-transition switch, set **Switch model** to Abrupt transition after delay.

Short-transition Switch

In a short-transition switch, the transition between the off and on states is instantaneous:

- When the controlling current is greater than or equal to the sum of the **Threshold current, I_T** and **Hysteresis current, I_H** parameter values, the switch is closed and has a resistance equal to the **On resistance, R_{ON}** parameter value.
- When the controlling current is less than the **Threshold current, I_T** parameter value minus the **Hysteresis current, I_H** parameter value, the switch is open and has a resistance equal to the **Off resistance, R_{OFF}** parameter value.
- When the controlling current is greater than or less than the **Threshold current, I_T** parameter value by an amount less than or equal to the **Hysteresis current, I_H** parameter value, the current is in the crossover region and the state of the switch remains unchanged.

Note If the **Hysteresis current, I_H** parameter value is less than 0, the block models a variable-resistance switch independently of the value you set for the **Switch model** parameter.

Variable-resistance Switch

In a variable-resistance switch, the transition between the off and on states is exponential:

- When the **Control current for on state, I_{ON}** is greater than the **Control current for off state, I_{OFF}** :
 - If the controlling current is greater than the **Control current for on state, I_{ON}** parameter value, the switch is closed and has a resistance equal to the **On resistance, R_{ON}** parameter value.

- If the controlling current is less than the **Control current for off state, IOFF** parameter value, the switch is open and has a resistance equal to the **Off resistance, ROFF** parameter value.
- If the controlling current is greater than the **Control current for off state, IOFF** parameter value or less than the **Control current for on state, ION** parameter value, the resistance is defined by:

$$R_s = \exp \left[L_m + 3L_r \left(\frac{I_c - I_m}{2I_d} \right) - 2L_r \left(\frac{(I_c - I_m)^3}{I_d^3} \right) \right]$$

where:

- R_s is the switch resistance.
 - $L_m = \ln \left[(R_{ON} * R_{OFF})^{\frac{1}{2}} \right]$ is the log-mean of resistor values.
 - $L_r = \ln \left(\frac{R_{ON}}{R_{OFF}} \right)$ is the log-ratio of resistor values.
 - I_c is the controlling current.
 - $I_m = \frac{I_{ON} + I_{OFF}}{2}$ is the mean of the control currents.
 - $I_d = I_{ON} - I_{OFF}$ is the difference between the control currents.
- When the **Control current for on state, ION** is less than the **Control current for off state, IOFF**:
 - If the controlling current is less than the **Control current for on state, ION** parameter value, the switch is closed and has a resistance equal to the **On resistance, RON** parameter value.
 - If the controlling current is greater than the **Control current for off state, IOFF** parameter value, the switch is open and has a resistance equal to the **Off resistance, ROFF** parameter value.
 - If the controlling current is less than the **Control current for off state, IOFF** parameter value or greater than the **Control current for on state, ION** parameter value, the resistance is defined by:

$$R_s = \exp \left[L_m + 3L_r \left(\frac{I_c - I_m}{2I_d} \right) - 2L_r \left(\frac{(I_c - I_m)^3}{I_d^3} \right) \right]$$

Assumptions and Limitations

The block output resistance model is discontinuous during switching. The discontinuity might cause numerical issues. Try the following actions to resolve the issues:

- Set the **On resistance, RON** and **Off resistance, ROFF** parameter values to keep R_{ON} divided by R_{OFF} as large as possible, and more than $1e+12$.
- Increase the **Hysteresis current, IH** parameter value to reduce switch chatter.
- If a variable-step solver is employed, decrease the **Max step size** parameter value (in the Configuration Parameters block dialog box).

Note This increases the simulation time.

Ports

Conserving

1+ – Positive input port

electrical

Electrical conserving port associated with the current controlled switch positive input.

1- – Negative input port

electrical

Electrical conserving port associated with the current controlled switch negative input.

2+ – Positive output port

electrical

Electrical conserving port associated with the current controlled switch positive output.

2- – Negative output port

electrical

Electrical conserving port associated with the current controlled switch negative output.

Parameters

Switch model – Switch model

Abrupt transition after delay (default) | Smooth transition between I_{on} and I_{off}

Whether the transition between on state and off state current is instantaneous or not. To model this block as a variable-resistance switch, select Smooth transition between I_{on} and I_{off} . To model this block as a short-transition switch, select Abrupt transition after delay.

Threshold current, I_T – Threshold current

0 A (default)

Current above which the block interprets the controlling current as HIGH.

Note The controlling current must differ from the threshold current by at least the **Hysteresis current, I_H** parameter value to change the state of the switch.

Dependencies

To enable this parameter, set **Switch model** to Abrupt transition after delay.

Hysteresis current, I_H – Hysteresis current

0 A (default)

Amount by which the controlling current must exceed or fall below the **Threshold current, I_T** parameter value to change the state of the switch.

Dependencies

To enable this parameter, set **Switch model** to Abrupt transition after delay.

Control current for on state, ION – Control current for on state

1e-3 A (default)

Switch control current for the on state.

Dependencies

To enable this parameter, set **Switch model** to Smooth transition between Ion and Ioff.

Control current for off state, IOFF – Control current for off state

0 A (default)

Switch control current for the off state.

Dependencies

To enable this parameter, set **Switch model** to Smooth transition between Ion and Ioff.

On resistance, RON – Closed switch resistance

1 Ohm (default)

Resistance of the switch when it is closed.

Use 1/GMIN as Off resistance – Whether to use 1/GMIN as off resistance

No (default) | Yes

Whether to automatically calculate the off resistance of this switch as 1/GMIN.

Note The value of the parallel conductance, *GMIN*, depends on whether your model contains an Environment Parameters block.

By default, *GMIN* matches the **GMIN** parameter of the Environment Parameters block, whose default value is 1e-12. To change *GMIN*, add an Environment Parameters block to your model and set the **GMIN** parameter to the desired value.

Dependencies

To enable this parameter, set **Switch model** to Abrupt transition after delay.

Off resistance, ROFF – Open switch resistance

1e12 Ohm (default) | 1e6

Resistance of the switch when it is open.

Dependencies

To enable this parameter either:

- Set **Switch model** to Abrupt transition after delay and **Use 1/GMIN as Off resistance** to No. The default value is 1e12.
- Set **Switch model** to Smooth transition between Ion and Ioff. The default value is 1e6.

, .

Time delay, TD — Time delay

0 s (default)

Time delay after which the switch transition takes place.

Dependencies

To enable this parameter, set **Switch model** to Abrupt transition after delay.

Extended Capabilities**C/C++ Code Generation**

Generate C and C++ code using Simulink® Coder™.

See Also**Simscape Blocks**

Environment Parameters | Voltage-Controlled Switch

Functions

subcircuit2ssc

Topics

“Additional Parameterization Workflows”

“Converting a SPICE Netlist to Simscape Blocks”

“Parameterize an Exponential Diode from SPICE Netlist”

Introduced in R2009a

Current Limiter

Behavioral model of current limiter

Library: Simscape / Electrical / Semiconductors & Converters



Description

The Current Limiter block provides a behavioral model of a current limiter. Use it to represent current limiting as found in power supplies and motor drives, and also to represent components that are used to limit inrush current.

The current limiting acts for both positive and negative currents. For applications where limiting is required in only one direction, you can augment the Current Limiter block with a series diode (blocks any reverse current) or parallel diode (no limiting in the reverse direction).

The block implements current limiting by using a hyperbolic tangent function:

$$i = i_{LIM} \tanh\left(\frac{4v}{v_{LIM}}\right) + g_{LIM}v$$

where:

- i is the current through the component.
- v is the voltage drop across the component.
- i_{LIM} is the current limit.
- v_{LIM} is the approximate voltage drop across the component when the current limit becomes active.
- g_{LIM} is the rate of change of current with voltage drop when on the current limit (limit-state conductance).

When $v = v_{LIM}$, then

$$i = i_{LIM} \tanh(4) + g_{LIM}v = 0.9993i_{LIM} + g_{LIM}v$$

Therefore the current is approximately equal to the limit. Choose the value for g_{LIM} such that $g_{LIM}v$ is small compared to i_{LIM} for the maximum expected voltage drop. This term is included in the block equation to improve numerical properties during simulation.

When choosing the value of v_{LIM} , consider that making it too small will require tight solver tolerances and small step sizes. In practice, current limiters can be implemented using a MOSFET and series source resistor, the gate-source voltage being driven by the series resistor. This implementation does not produce a sharp limit, similar to the tanh curve used in this block. You can use a datasheet plot of current against voltage to pick a suitable value for v_{LIM} .

Thermal Port

The block has an optional thermal port, hidden by default. To expose the thermal port, right-click the block in your model, and then from the context menu select **Simscape > Block choices > Show**

thermal port. This action displays the thermal port **H** on the block icon, and exposes the **Thermal Port** parameters.

The thermal port model contains a thermal mass. The power dissipated by the current limiter, plus the heat flow into the thermal port, drives the thermal mass differential equation:

$$m \frac{dT}{dt} = P_{loss} + Q_H$$

where:

- m is the thermal mass.
- T is the thermal port temperature.
- P_{loss} is the electrical loss, $v \cdot i$.
- Q_H is the heat flow from the external network into the thermal port.

Ports

Conserving

+ – Positive terminal

electrical

Electrical conserving port associated with the current limiter positive terminal

- – Negative terminal

electrical

Electrical conserving port associated with the current limiter negative terminal

Parameters

Parameters

Current limit – Current limit

1 A (default)

The maximum current magnitude.

Voltage drop when current starts to limit – Voltage drop when current starts to limit

0.1 V (default)

When the voltage drop is equal to this value, then the current is limited at 0.9993 times the current limit value.

Limit-state conductance – Limit-state conductance

1e-3 1/Ohm (default)

When the current is limited, this parameter defines the rate of change of current with voltage drop if the current is driven harder onto the limit.

Thermal Port

These parameters appear only for blocks with exposed thermal ports. For more information, see “Thermal Port” on page 1-302.

Thermal mass — Thermal mass

100 J/K (default)

The heat energy required to raise the temperature by one degree.

Initial temperature — Initial temperature

25 C (default)

The temperature at the start of the simulation

Extended Capabilities**C/C++ Code Generation**

Generate C and C++ code using Simulink® Coder™.

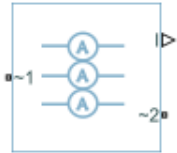
See Also

Introduced in R2015a

Current Sensor (Three-Phase)

Ideal three-phase current measurement

Library: Simscape / Electrical / Sensors & Transducers



Description

The Current Sensor (Three-Phase) block represents an ideal three-phase current sensor. The block measures each of the three currents flowing from port **~1** to port **~2** and outputs a single three-element, physical signal vector. Each element of the physical signal output vector is proportional to the current in its respective phase.

Note You must connect the Current Sensor (Three-Phase) block in series with a three-phase element. For more information on how to use this block, see “Build and Simulate Composite and Expanded Three-Phase Models”.

Ports

Output

I — Three-elements vector

physical signal

Three-element physical signal vector output port associated with the phase currents.

Conserving

~1 — Three-phase port

electrical

Expandable three-phase port.

~2 — Three-phase port

electrical

Expandable three-phase port.

Extended Capabilities

C/C++ Code Generation

Generate C and C++ code using Simulink® Coder™.

See Also

Current and Voltage Sensor (Three-Phase) | Line Voltage Sensor (Three-Phase) | Phase Voltage Sensor (Three-Phase) | Power Sensor

Topics

“Build and Simulate Composite and Expanded Three-Phase Models”
“Expand and Collapse Three-Phase Ports on a Block”

Introduced in R2013b

Current Source

Current source with optional DC, AC, and noise components

Library: Simscape / Electrical / Sources



Description

The Current Source block implements a current source with DC, AC, and noise components. The current flowing through the source from the - terminal to the + terminal is given by:

$$i = i_{DC} + i_{AC}\sin(2\pi ft + \phi) + i_N$$

where:

- i_{DC} is the steady-state DC current component.
- i_{AC} is the amplitude of the AC current component.
- f is the frequency of the AC component.
- ϕ is the phase offset of the AC component.
- i_N is the noise current.

You can configure your source as DC-only, AC-only, or a combination of both. By default, both AC and DC components are set to 0. Define the AC/DC current by specifying nonzero parameter values after placing the block in your model.

The noise component is also optional. If you set the **Noise mode** parameter to **Enabled**, then the added noise current is given by:

$$i_N = \sqrt{P_i/2} \frac{N(0, 1)}{\sqrt{h}}$$

where:

- P_i is the single-sided noise power spectral density for a 1 ohm load, in A^2/Hz .
- N is a Gaussian random number with zero mean and standard deviation of one.
- h is the sampling interval.

By default, the **Noise mode** parameter is set to **Disabled**, and the current source generates no thermal noise.

Noise Options

The block generates Gaussian noise by using the PS Random Number source in the Simscape Foundation library. You can control the random number seed by setting the **Repeatability** parameter:

- **Not repeatable** — Every time you simulate your model, the block resets the random seed using the MATLAB random number generator:

```
seed = randi(2^32-1);
```

- **Repeatable** — The block automatically generates a seed value and stores it inside the block, to always start the simulation with the same random number. This auto-generated seed value is set when you add a Current Source block from the block library to the model. When you make a new copy of the Current Source block from an existing one in a model, a new seed value is generated. The block sets the value using the MATLAB random number generator command shown above.
- **Specify seed** — If you select this option, the additional **Seed** parameter lets you directly specify the random number seed value.

Assumptions and Limitations

- Simulating with noise enabled slows down simulation. Choose the sample time (h) so that noise is generated only at frequencies of interest, and not higher.

Ports

Conserving

+ — Positive port

electrical

Electrical conserving port associated with the current source positive terminal

- — Negative port

electrical

Electrical conserving port associated with the current source negative terminal

Parameters

DC & AC Components

DC current — DC current

0 A (default)

DC component of the output current. Specify a nonzero value to add a DC component to the current source.

AC current peak amplitude — AC current amplitude

0 A (default)

Amplitude of the AC component of the output current. Specify a nonzero value to add an AC component to the current source.

AC current phase shift — AC current phase offset

0 rad (default)

Phase offset of the AC component of the output current.

AC current frequency — AC current frequency

60 Hz (default)

Frequency of the AC component of the output current.

Noise

Noise mode — Noise option

Disabled (default) | Enabled

Select the noise option:

- **Disabled** — No noise is produced by the current source. This is the default.
- **Enabled** — The current source generates thermal noise, and the associated parameters become visible on the **Noise** tab.

Power spectral density — Power spectral density

0 A²/Hz (default)

The single-sided spectrum noise power. Strictly-speaking, this is a density function for the square of the current, commonly thought of as a power into a 1 ohm load, and therefore units are A²/Hz. To avoid this unit ambiguity, some datasheets quote noise current as a noise density with units of A/√Hz. In this case, you should enter the square of the noise density quoted in the datasheet as the parameter value.

Repeatability — Noise control option

Not repeatable (default) | Repeatable | Specify seed

Select the noise control option:

- **Not repeatable** — The random sequence used for noise generation is not repeatable. This is the default.
- **Repeatable** — The random sequence used for noise generation is repeatable, with a system-generated seed.
- **Specify seed** — The random sequence used for noise generation is repeatable, and you control the seed by using the **Seed** parameter.

Auto-generated seed used for repeatable option — Auto-generated random number seed

3241354618 (default)

Random number seed stored inside the block to make the random sequence repeatable. The parameter value is automatically generated using the MATLAB random number generator command. You can modify this parameter value, but it gets overwritten by a new random value if you copy the block to another block in the model. Therefore, if you want to control the seed of the random sequence, use the **Specify seed** option for the **Repeatability** parameter and specify the desired seed value using the **Seed** parameter.

Dependencies

This parameter is visible only when you select **Repeatable** for the **Repeatability** parameter.

Seed — Random number seed

0 (default)

Random number seed used by the noise random number generator.

Dependencies

This parameter is visible only when you select **Specify seed** for the **Repeatability** parameter.

Sample time – Sample time

1e-3 s (default)

Defines the rate at which the noise source is sampled. Choose it to reflect the frequencies of interest in your model. Making the sample time too small will unnecessarily slow down your simulation.

Extended Capabilities**C/C++ Code Generation**

Generate C and C++ code using Simulink® Coder™.

See Also

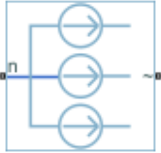
Resistor | Voltage Source

Introduced in R2013a

Current Source (Three-Phase)

Ideal three-phase current source

Library: Simscape / Electrical / Sources



Description

The Current Source (Three-Phase) block models an ideal three-phase current source that maintains sinusoidal currents of the specified magnitude through its terminals, independent of the voltage across the source.

The output current is defined by the following equations:

$$I_0 = \sqrt{2}i_{\text{phase_rms}}$$

$$i_a = I_0 \sin(2\pi ft + \varphi)$$

$$i_b = I_0 \sin(2\pi ft + \varphi - 120^\circ)$$

$$i_c = I_0 \sin(2\pi ft + \varphi + 120^\circ),$$

where:

- I_0 is the peak phase current.
- $i_{\text{phase_rms}}$ is the RMS phase current.
- i_a, i_b, i_c are the respective phase currents.
- f is the frequency.
- φ is the phase shift.
- t is the time.

The arrow indicates the positive direction of the current flow. The source has a wye configuration, and port **n** provides a connection to the center of the wye.

Ports

Conserving

~ — **Three-phase port**
electrical

Expandable three-phase port associated with the three phases, a , b , and c .

n – Wye center

electrical

Electrical conserving port associated with the center of the wye

Parameters**Current (phase RMS) – RMS phase current**100 / $\sqrt{2}$ A (default)

RMS phase current.

Phase shift – Phase shift

0 deg (default)

Phase shift, in angular units.

Frequency – Current frequency

60 Hz (default)

Current frequency, specified in Hz or units directly convertible to Hz (where Hz is defined as 1/s). For example, kHz and MHz are valid units, but rad/s is not.

Extended Capabilities**C/C++ Code Generation**

Generate C and C++ code using Simulink® Coder™.

See Also

Battery | Controlled Current Source (Three-Phase) | Voltage Source (Three-Phase)

Topics

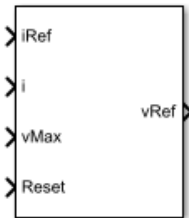
“Expand and Collapse Three-Phase Ports on a Block”

Introduced in R2013b

DC Current Controller

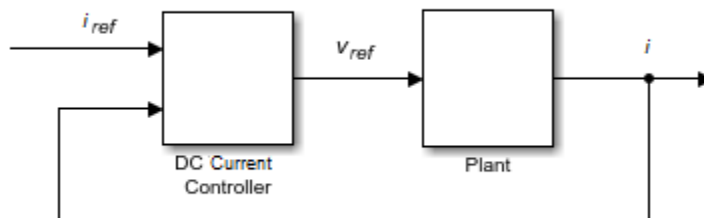
Discrete-time DC current PI control with integral anti-windup

Library: Simscape / Electrical / Control / General Machine Control



Description

The DC Current Controller block implements a discrete-time proportional-integral (PI) DC voltage controller. The block can implement zero cancellation in the feedforward path. To avoid saturation of the integral gain, the block can implement anti-windup gain.



Equations

The equation that the DC Current Controller block uses to calculate the reference voltage is

$$v_{ref} = \left(K_p + K_i \frac{T_s z}{z-1} \right) (i_{ref} - i),$$

where:

- v_{ref} is the reference voltage.
- K_p is the proportional gain.
- K_i is the integral gain.
- T_s is the sample time.
- i_{ref} is the reference current.
- i is the measured current.

The PI control calculation yields a zero in the closed-loop transfer function. To cancel the zero, the block uses this discrete-time zero-cancellation transfer function:

$$G_{ZC}(z) = \frac{\frac{T_s K_i}{K_p}}{z + \frac{T_s - \frac{K_p}{K_i}}{\frac{K_p}{K_i}}}$$

To avoid saturation of the integrator output, the block uses an anti-windup mechanism. The integrator gain is then equal to

$$K_i + K_{aw}(v_{ref_sat} - v_{ref_unsat}),$$

where:

- K_{aw} is the anti-windup gain.
- v_{ref_sat} is the saturated reference voltage signal, which the block calculates as $v_{ref_sat} = \min(\max(v_{ref_unsat}, v_{min}), v_{max})$,

where:

- v_{ref_unsat} is the unsaturated reference voltage signal.
- v_{min} is the lower limit for the output voltage. For positive voltage only, $v_{min} = 0$. For positive and negative voltage, $v_{min} = -v_{max}$
- v_{max} is the upper limit for the output voltage.

Ports

Input

iRef — Reference current

scalar

Desired output current for the plant.

Data Types: `single` | `double`

i — Measured current

scalar

Measured current for the plant.

Data Types: `single` | `double`

v_{max} — Maximum DC voltage

scalar

Maximum DC output voltage for the plant.

Data Types: `single` | `double`

Reset — External reset

scalar

External reset signal (rising edge) for the integrator.

Data Types: single | double

Output

vRef — Reference DC voltage

scalar

Desired DC output voltage for the plant.

Data Types: single | double

Parameters

Proportional gain — Controller proportional gain, K_p

1 (default) | positive scalar

Proportional gain, K_p , of the controller.

Integral gain — Integral gain, K_i

5 (default) | positive scalar

Integral gain, K_i , of the controller.

Anti-windup gain — Anti-windup gain, K_{aw}

1 (default) | positive scalar

Anti-windup gain, K_{aw} , of the controller.

Voltage limitation — Negative voltage restriction

Positive and negative voltage (default) | Positive voltage only

Allow for both positive and negative DC voltage output or limit the output to positive DC voltage.

Sample time (-1 for inherited) — Block sample time

-1 (default) | positive scalar

Time, in s, between consecutive block executions. During execution, the block produces outputs and, if appropriate, updates its internal state. For more information, see “What Is Sample Time?” and “Specify Sample Time”.

If this block is inside a triggered subsystem, inherit the sample time by setting this parameter to -1. If this block is in a continuous variable-step model, specify the sample time explicitly using a positive scalar.

Dependencies

If you set **Sample time (-1 for inherited)** to -1 and select the **Enable zero cancellation** option, the **Discretization sample time** parameter becomes visible.

Discretization sample time — Sample time for discretization

0.001 (default) | positive scalar

Time, in s, between consecutive discretizations. Discretization is required for zero cancellation.

Dependencies

This parameter is only visible when both these conditions are met:

- **Sample time** is set to -1.
- **Enable zero cancellation** is selected.

Enable zero cancellation — Feedforward zero cancellation

off (default) | on

Option to use zero cancellation on the feedforward path.

Dependencies

If you select the **Enable zero cancellation** option and set **Sample time (-1 for inherited)** to -1, the **Discretization sample time** parameter becomes visible.

Extended Capabilities**C/C++ Code Generation**

Generate C and C++ code using Simulink® Coder™.

See Also

[DC Voltage Controller](#) | [DC-DC Voltage Controller](#) | [PWM Generator](#)

Introduced in R2018a

DC Current Source

Constant current source

Library: Simscape / Electrical / Additional Components / SPICE Sources



Description

The DC Current Source block represents a constant current source whose output current value is independent of the voltage across its terminals.

The block uses a small conductance internally to prevent numerical simulation issues. The conductance connects the + and - ports of the device and has a conductance *GMIN*:

- By default, *GMIN* matches the **GMIN** parameter of the Environment Parameters block, whose default value is 1e-12.
- To change *GMIN*, add an Environment Parameters block to your model and set the **GMIN** parameter to the desired value.

Ports

Conserving

+ — Positive voltage

electrical

Electrical conserving port associated with the DC current source positive voltage

- — Negative voltage

electrical

Electrical conserving port associated with the DC current source negative voltage

Parameters

Constant value, DC — DC output current

0 A (default)

Value of the DC output current, in A.

Include parallel conductance, GMIN — Whether to include parallel conductance

Yes (default) | No

Specify if the current source includes a parallel conductance. The value of the parallel conductance, *GMIN*, depends on whether your model contains an Environment Parameters block.

This table shows the possible values of the parallel conductance, *GMIN*:

Values of parallel conductance, *GMIN*

Include parallel conductance, <i>GMIN</i>		
Yes		No
Model contains Environment Parameters block	Model does not contain Environment Parameters block	Parallel conductance, <i>GMIN</i> , is not included and it does not affect the current source.
<i>GMIN</i> is equal to the value of the <i>GMIN</i> parameter in the Environment Parameters block.	<i>GMIN</i> = 1e-12 Ohm	

Extended Capabilities

C/C++ Code Generation

Generate C and C++ code using Simulink® Coder™.

See Also

Simscape Blocks

DC Current Source | DC Voltage Source | Environment Parameters | Exponential Current Source | Piecewise Linear Voltage Source | Pulse Current Source | SFFM Current Source | Sinusoidal Current Source

Functions

subcircuit2ssc

Topics

“Additional Parameterization Workflows”

“Converting a SPICE Netlist to Simscape Blocks”

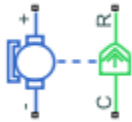
“Parameterize an Exponential Diode from SPICE Netlist”

Introduced in R2008a

DC Motor

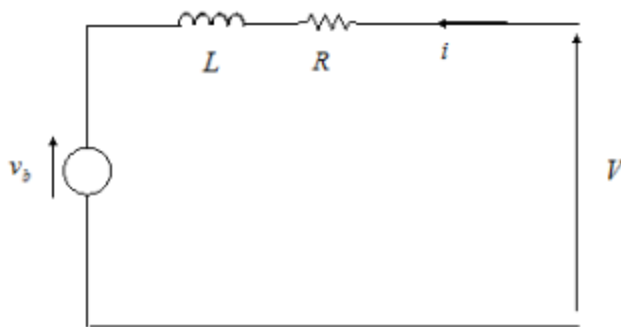
DC motor model with electrical and torque characteristics and fault modeling

Library: Simscape / Electrical / Electromechanical / Brushed Motors



Description

The DC Motor block represents the electrical and torque characteristics of a DC motor using the following equivalent circuit model:



You specify the equivalent circuit parameters for this model when you set the **Model parameterization** parameter to **By equivalent circuit parameters**. The resistor R corresponds to the resistance you specify in the **Armature resistance** parameter. The inductor L corresponds to the inductance you specify in the **Armature inductance** parameter.

You can specify how to generate the magnetic field of the DC motor by setting the **Field type** parameter to the desired option. The permanent magnets in the motor induce the following back emf v_b in the armature:

$$v_b = k_v \omega$$

where k_v is the **Back-emf constant** and ω is the angular velocity. The motor produces the following torque, which is proportional to the motor current i :

$$T_E = k_t i$$

where k_t is the **Torque constant**. The DC Motor block assumes that there are no electromagnetic losses. This means that mechanical power is equal to the electrical power dissipated by the back emf in the armature. Equating these two terms gives:

$$T_E \omega = v_b i$$

$$k_t i \omega = k_v \omega i$$

$$k_v = k_t$$

As a result, you specify either k_v or k_t in the block parameters.

If the magnetic field is generated from the current flowing through the windings, the **Back-emf constant** depends on the field current I_f :

$$k_v = L_{af}I_f$$

where L_{af} is the **Field-armature mutual inductance**.

The torque-speed characteristic for the DC Motor block is related to the parameters in the preceding figure. When you set the **Model parameterization** parameter to **By stall torque & no-load speed** or **By rated power, rated speed & no-load speed**, the block solves for the equivalent circuit parameters as follows:

- 1 For the steady-state torque-speed relationship, L has no effect.
- 2 Sum the voltages around the loop and rearrange for i :

$$i = \frac{V - v_b}{R} = \frac{V - k_v\omega}{R}$$

- 3 Substitute this value of i into the equation for torque:

$$T_E = \frac{k_t}{R}(V - k_v\omega)$$

When you set the **Model parameterization** parameter to **By stall torque & no-load speed**, the block uses the preceding equation to determine values for R and k_t (and equivalently k_v).

When you set the **Model parameterization** parameter to **By rated power, rated speed & no-load speed**, the block uses the rated speed and power to calculate the rated torque. The block uses the rated torque and no-load speed values in the preceding equation to determine values for R and k_t .

The block models motor inertia J and damping λ for all values of the **Model parameterization** parameter. The resulting torque across the block is:

$$T = \frac{k_t}{R}(V - k_v\omega) - J\dot{\omega} - \lambda\omega$$

It is not always possible to measure rotor damping, and rotor damping is not always provided on a manufacturer datasheet. An alternative is to use the no-load current to infer a value for rotor damping.

For no-load, the electrically-generated mechanical torque must equal the rotor damping torque:

$$k_t i_{noload} = \lambda \omega_{noload}$$

where i_{noload} is the no-load current. If you select **By no-load current** for the **Rotor damping parameterization** parameter, then this equation is used in addition to the torque-speed equation to determine values for λ and the other equation coefficients.

The value for rotor damping, whether specified directly or in terms of no-load current, is taken into account when determining equivalent circuit parameters for **Model parameterization** options **By stall torque and no-load speed** and **By rated power, rated speed and no-load speed**.

When a positive current flows from the electrical **+** to **-** ports, a positive torque acts from the mechanical **C** to **R** ports.

Faults

The DC Motor block allows you to model two types of faults:

- Armature winding fault — The armature winding fails and goes open circuit.
- Field winding fault — The field winding that creates the magnetic field fails and goes open circuit.

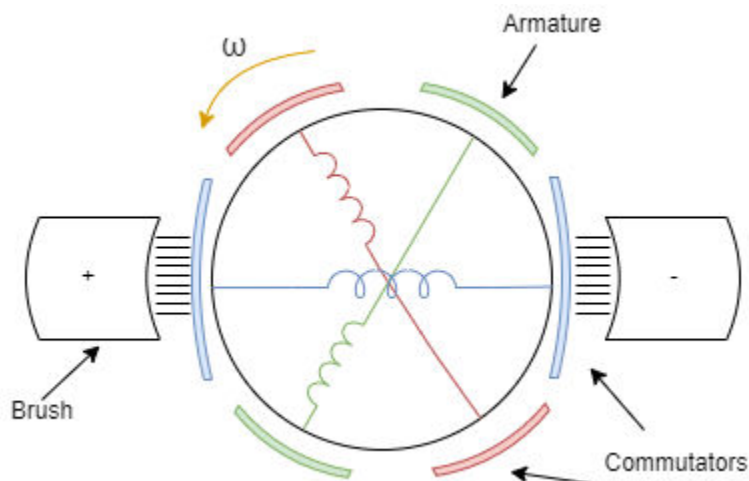
The block can trigger fault events:

- At a specific time (temporal fault).
- When a current limit is exceeded for longer than a specific time interval (behavioral fault).

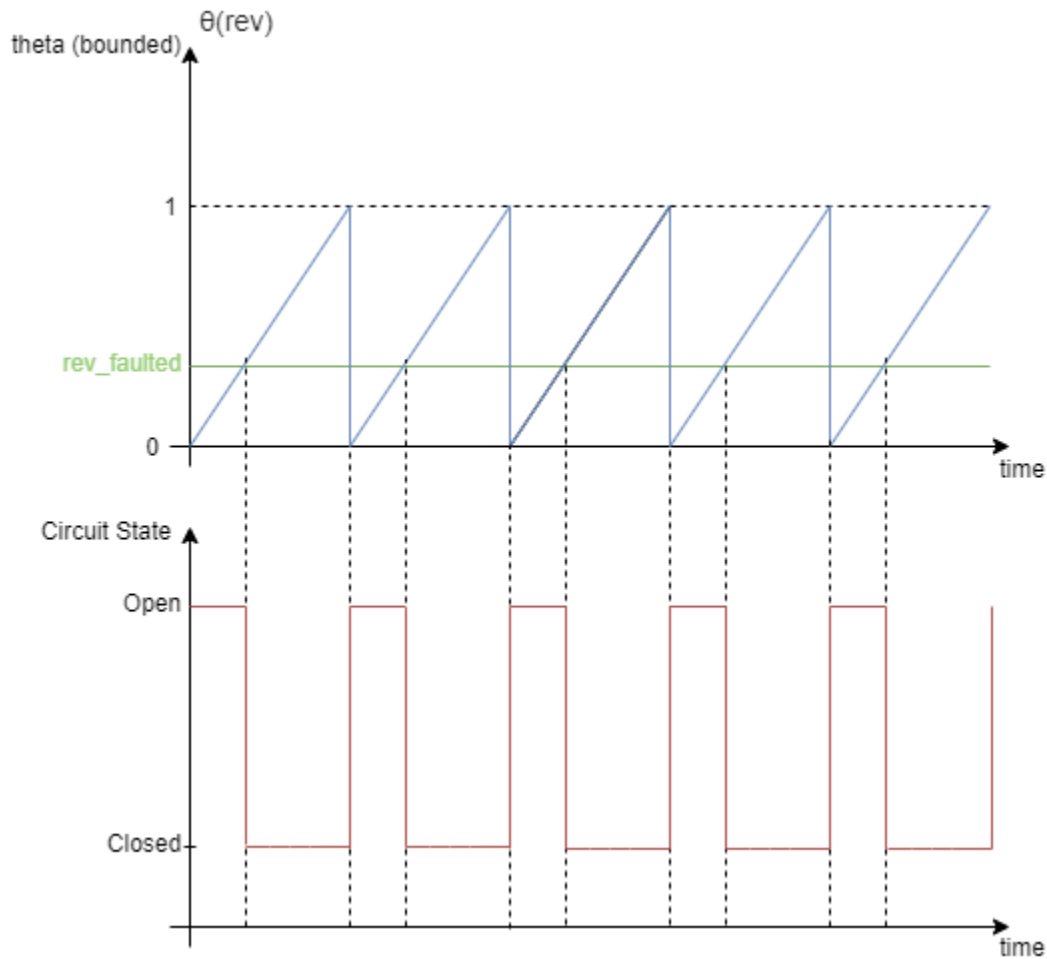
You can enable or disable these trigger mechanisms separately.

You can choose whether to issue an assertion when a fault occurs, by using the **Reporting when a fault occurs** parameter. The assertion can take the form of a warning or an error. By default, the block does not issue an assertion.

This figure shows a generic representation of a DC motor, with brushes, armatures, commutators, and their windings:



If you set the **Enable armature winding open-circuit fault** parameter to Yes, the armature fails at the time specified by the **Time at which armature winding fault is triggered** parameter for a temporal fault, or when the winding currents exceeds the value of the **Maximum permissible armature winding current** parameter for a behavioral fault. When the armature fails, the voltage source connected to this block observes an open circuit for a fraction of the total motor revolution, specified by the **Fraction of revolution during which armature is open-circuit** parameter, `rev_faulted`. This figure illustrates the circuit state behaviour for a certain `rev_faulted` during the entire revolution period:



Thermal Port

The block has an optional thermal port, hidden by default. To expose the thermal port, right-click the block in your model, and then from the context menu select **Simscape > Block choices > Show thermal port**. This action displays the thermal port **H** on the block icon, and exposes the **Temperature Dependence** and **Thermal Port** parameters.

Use the thermal port to simulate the effects of copper resistance losses that convert electrical power to heat. For more information on using thermal ports and on the **Temperature Dependence** and **Thermal Port** parameters, see “Simulating Thermal Effects in Rotational and Translational Actuators”.

Ports

Conserving

+ – **Positive terminal**
electrical

Electrical conserving port associated with the DC motor positive terminal.

- — Negative terminal

electrical

Electrical conserving port associated with the DC motor negative terminal.

C — Motor case

mechanical

Mechanical rotational conserving port associated with the DC motor case.

R — Motor rotor

mechanical

Mechanical rotational conserving port associated with the DC motor rotor.

F+ — Positive field

electrical

Electrical conserving port associated with the positive field winding.

Dependencies

To enable this port, set **Field type** to Wound.

F- — Negative field

electrical

Electrical conserving port associated with the negative field winding.

Dependencies

To enable this port, set **Field type** to Wound.

H — Thermal port

thermal

Thermal port. For more information, see “Thermal Port” on page 1-322.

Parameters**Electrical Torque****Field type — Type of field**

Permanent Magnet (default) | Wound

Select one of the following methods for field type:

- Permanent Magnet — Generate the DC Motor magnetic field using a permanent magnet.
- Wound — Generate the DC Motor magnetic field using the current flowing through the windings.

Model parameterization — Block parameterization

By equivalent circuit parameters (default) | By stall torque & no-load speed | By rated power, rated speed & no-load speed

Select one of the following methods for block parameterization:

- **By equivalent circuit parameters** — Provide electrical parameters for an equivalent circuit model of the motor.
- **By stall torque & no-load speed** — Provide torque and speed parameters that the block converts to an equivalent circuit model of the motor.
- **By rated power, rated speed & no-load speed** — Provide power and speed parameters that the block converts to an equivalent circuit model of the motor.

Dependencies

To enable this parameter, set **Field type** to Permanent magnet.

Field resistance — Field resistance

100 Ohm (default)

Resistance of the magnetic field.

Dependencies

To enable this parameter, set **Field type** to Wound.

Field inductance — Field inductance

1 H (default)

Inductance of the magnetic field.

Dependencies

To enable this parameter, set **Field type** to Wound.

Field-armature mutual inductance — Field-armature mutual inductance

0.15 H (default)

Mutual inductance between the magnetic field and the conducting portion of the motor.

Dependencies

To enable this parameter, set **Field type** to Wound.

Initial field current — Initial field current

0 A (default)

Initial field current.

Dependencies

To enable this parameter, set **Field type** to Wound.

Armature resistance — Armature resistance

3.9 Ohm (default)

Resistance of the conducting portion of the motor.

Dependencies

This parameter is visible only when you set the **Model parameterization** parameter to By equivalent circuit parameters.

Armature inductance – Armature inductance

12e-6 H (default)

Inductance of the conducting portion of the motor. If you do not have information about this inductance, set the value of this parameter to a small, nonzero number.

Define back-emf or torque constant – Constants specification

Specify back-emf constant (default) | Specify torque constant

Indicate whether you will specify the motor's back-emf constant or torque constant. When you specify them in SI units, these constants have the same value, so you only specify one or the other in the block dialog box.

Dependencies

This parameter is visible only when you set the **Model parameterization** parameter to By equivalent circuit parameters.

Back-emf constant – Back-emf constant

0.072e-3 (default) | V/rpm

The ratio of the voltage generated by the motor to the speed at which the motor is spinning.

Dependencies

This parameter is visible only when you set the **Define back-emf or torque constant** parameter to Specify back-emf constant.

Torque constant – Torque constant

6.876e-4 N*m/A (default)

The ratio of the torque generated by the motor to the current delivered to it.

Dependencies

This parameter is visible only when you set the **Define back-emf or torque constant** parameter to Specify torque constant.

Stall torque – Stall torque

0.24e-3 N*m. (default)

The amount of torque generated by the motor when the speed is approximately zero.

Dependencies

This parameter is visible only when you set the **Model parameterization** parameter to By stall torque & no-load speed.

No-load speed – No-load speed

19100 rpm (default)

Speed of the motor when not driving a load.

Dependencies

This parameter is visible only when you set the **Model parameterization** parameter to By stall torque & no-load speed or By rated power, rated speed & no-load speed.

Rated speed (at rated load) — Rated speed

15000 rpm (default)

Motor speed at the rated mechanical power level.

Dependencies

This parameter is visible only when you set the **Model parameterization** parameter to **By rated power, rated speed & no-load speed**.

Rated load (mechanical power) — Rated load

0.08 W (default)

The mechanical power the motor is designed to deliver at the rated speed.

Dependencies

This parameter is visible only when you set the **Model parameterization** parameter to **By rated power, rated speed & no-load speed**.

Rated DC supply voltage — Rated DC supply voltage

1.5 V (default)

The voltage at which the motor is rated to operate.

Dependencies

This parameter is visible only when you set the **Model parameterization** parameter to **By stall torque & no-load speed** or **By rated power, rated speed & no-load speed**.

Rotor damping parameterization — Rotor damping parameterization

By damping value (default) | By no-load current

Select one of the following methods to specify rotor damping:

- **By damping value** — Specify a value for rotor damping directly, by using the **Rotor damping** parameter in the **Mechanical** parameters.
- **By no-load current** — The block calculates rotor damping based on the values that you specify for the **No-load current** and **DC supply voltage when measuring no-load current** parameters. If you select this option, the **Rotor damping** parameter is not available for the **Mechanical** parameters.

No-load current — No-load current

0 A (default)

Specify the no-load current value, to be used for calculating the rotor damping. This parameter is only visible when you select **By no-load current** for the **Rotor damping parameterization** parameter.

Dependencies

This parameter is visible only when you set the **Rotor damping parameterization** parameter to **By no-load current**.

DC supply voltage when measuring no-load current — DC supply voltage when measuring no-load current

1.5 V (default)

Specify the DC supply voltage corresponding to the no-load current value, to be used for calculating the rotor damping.

Dependencies

This parameter is visible only when you set the **Rotor damping parameterization** parameter to By no-load current.

Mechanical

Rotor inertia – Rotor inertia

0.01 g*cm² (default)

Resistance of the rotor to change in motor motion. The value can be zero.

Rotor damping – Rotor dissipated energy

0 N*m/(rad/s) (default)

Energy dissipated by the rotor. The value can be zero.

Dependencies

This parameter is visible only when you set the **Rotor damping parameterization** parameter in the **Electrical Torque** setting to By damping value.

Initial rotor speed – Initial rotor speed

0 rpm (default)

Speed of the rotor at the start of the simulation.

Temperature Dependence

This tab appears only for blocks with exposed thermal port. For more information, see “Thermal Port” on page 1-322.

Resistance temperature coefficient – Resistance temperature coefficient

3.93e-3 1/K (default)

Resistance temperature coefficient.

Measurement temperature – Measurement temperature

25 degC (default)

The temperature for which motor parameters are defined.

Thermal Port

This tab appears only for blocks with exposed thermal port. For more information, see “Thermal Port” on page 1-322.

Thermal mass – Thermal mass

100 J/K (default)

The thermal mass is the energy required to raise the temperature by one degree.

Initial temperature – Initial temperature

25 degC (default)

Temperature of the thermal port at the start of simulation.

Faults

Enable armature winding open-circuit fault — Whether to enable armature winding faults

No (default) | Yes

Select **Yes** to enable faults modeling and expose the associated parameters in the **Faults** section, which enables you to select the reporting method and specify the time at which the armature winding fault triggers.

Fraction of revolution during which armature is open-circuit — Fraction of revolution during which armature is open-circuit

1/3 (default)

Fraction of the revolution of the DC motor during which the armature winding is faulted and the voltage source observes an open circuit. For more information, see the “Faults” on page 1-321 section.

Dependencies

To enable this parameter, set **Enable armature winding open-circuit fault** to **Yes**.

Faulted armature winding open-circuit conductance — Open-circuit conductance of faulted armature winding

1e-5 S (default)

Open-circuit conductance when the armature winding is faulted.

Dependencies

To enable this parameter, set **Enable armature winding open-circuit fault** to **Yes**.

Armature winding fault trigger — Fault trigger for armature winding

Temporal (default) | Behavioral

Whether the trigger for the armature winding fault is temporal or behavioral.

Dependencies

To enable this parameter, set **Enable armature winding open-circuit fault** to **Yes**.

Time at which armature winding fault is triggered — Time at which armature winding fault is triggered

1 s (default)

Time at which the armature winding becomes faulted.

Dependencies

To enable this parameter, set **Enable armature winding open-circuit fault** to **Yes** and **Armature winding fault trigger** to **Temporal**.

Maximum permissible armature winding current — Maximum permissible armature winding current

inf A (default)

Upper load-current threshold for open-circuit armature winding faults.

Dependencies

To enable this parameter, set **Enable armature winding open-circuit fault** to Yes and **Armature winding fault trigger** to Behavioral.

Time to fail when exceeding armature winding current — Time to fail when exceeding armature winding current

1 s (default)

Amount of time that the winding current must continuously exceed the maximum permissible armature winding current before a behavioral fault is triggered.

Dependencies

To enable this parameter, set **Enable armature winding open-circuit fault** to Yes and **Armature winding fault trigger** to Behavioral.

Enable field winding open-circuit fault — Whether to enable field winding faults

No (default) | Yes

Select Yes to enable field winding faults modeling and expose the associated parameters in the **Faults** section, which enables you to select the reporting method and specify the time at which the field winding fault triggers.

Dependencies

To enable this parameter, set **Field type** to Wound.

Faulted field winding open-circuit conductance — Open-circuit conductance of faulted field winding

1e-5 S (default)

Open-circuit conductance when the field winding is faulted.

Dependencies

To enable this parameter, set **Enable field winding open-circuit fault** to Yes.

Field winding fault trigger — Fault trigger for field winding

Temporal (default) | Behavioral

Whether the trigger for the field winding fault is temporal or behavioral.

Dependencies

To enable this parameter, set **Enable field winding open-circuit fault** to Yes.

Time at which field winding fault is triggered — Time at which field winding fault is triggered

1 s (default)

Time at which the field winding becomes faulted.

Dependencies

To enable this parameter, set **Enable field winding open-circuit fault** to Yes and **Field winding fault trigger** to Temporal.

Maximum permissible field winding current — Maximum permissible field winding current

inf A (default)

Upper load-current threshold for open-circuit field winding faults.

Dependencies

To enable this parameter, set **Enable field winding open-circuit fault** to Yes and **Field winding fault trigger** to Behavioral.

Time to fail when exceeding field winding current — Time to fail when exceeding field winding current

1 s (default)

Amount of time that the winding current must continuously exceed the maximum permissible field winding current before a behavioral fault is triggered.

Dependencies

To enable this parameter, set **Enable field winding open-circuit fault** to Yes and **Field winding fault trigger** to Behavioral.

Reporting when a fault occurs — Reporting when a fault occurs

None (default) | Warn | Error

Simulation reporting when a fault occurs:

- None — Does not generate a warning or an error.
- Warn — Generates a warning.
- Error — The simulation stops and generates an error.

Dependencies

To enable this parameter, set **Enable armature winding open-circuit fault** or **Enable field winding open-circuit fault** to Yes.

References

[1] Bolton, W. *Mechatronics: Electronic Control Systems in Mechanical and Electrical Engineering*, 3rd edition Pearson Education, 2004..

Extended Capabilities**C/C++ Code Generation**

Generate C and C++ code using Simulink® Coder™.

See Also

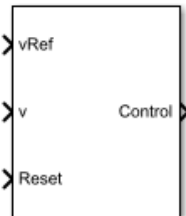
Induction Machine (Single-Phase) | Shunt Motor | Simplified PMSM Drive | Universal Motor

Introduced in R2008a

DC Voltage Controller

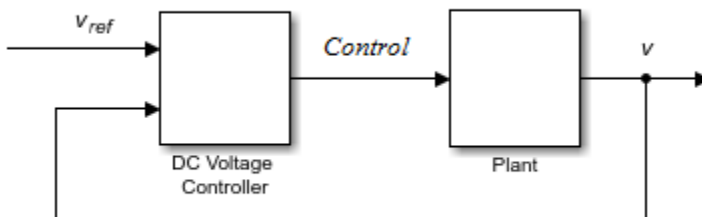
Discrete-time DC voltage PI control with feedforward zero cancellation and integral anti-windup

Library: Simscape / Electrical / Control / General Machine Control



Description

The DC Voltage Controller block implements discrete-time PI-based DC voltage control. The block can implement zero cancellation in the feedforward path. To avoid saturation of the integral gain, the block can implement anti-windup gain.



Equations

The equation that the DC Voltage Controller block uses to calculate the control signal is

$$\text{control} = \left(K_p + K_i \frac{T_s z}{z-1} \right) (v_{ref} - v),$$

where:

- control is the control signal, which is expressed as a duty cycle or a current.
- K_p is the proportional gain.
- K_i is the integral gain.
- T_s is the sample time.
- v_{ref} is the reference voltage.
- v is the measured voltage.

The PI control calculation yields a zero in the closed-loop transfer function. To cancel the zero, the block uses this discrete-time zero-cancellation transfer function:

$$G_{ZC}(z) = \frac{\frac{T_s K_i}{K_p}}{z + \frac{T_s - \frac{K_p}{K_i}}{\frac{K_p}{K_i}}}$$

To avoid saturation of the integrator output, the block uses an anti-windup mechanism. The integrator gain is then equal to

$$K_i + K_{aw}(\text{control}_{sat} - \text{control}_{unsat}),$$

where:

- K_{aw} is the anti-windup gain.
- control_{sat} is the saturated control signal, which the block calculates as $\text{control}_{sat} = \min(\max(\text{control}_{unsat}, \text{control}_{min}), \text{control}_{max})$,

where:

- control_{unsat} is the unsaturated control signal.
- control_{min} is the lower limit for the control signal.
- v_{max} is the upper limit for the control signal.

Ports

Input

vRef — Reference DC voltage

scalar

Desired DC output voltage for the plant.

Data Types: `single` | `double`

v — Measured DC voltage

scalar

Measured DC output voltage for the plant.

Data Types: `single` | `double`

Reset — External reset

scalar

External reset signal (rising edge) for the integrator.

Data Types: `single` | `double`

Output

Control — Control signal

scalar

Control signal, *control*, expressed as a duty cycle or a current.

Data Types: single | double

Parameters

Proportional gain — Proportional gain, K_p

0.1 (default) | positive scalar

Proportional gain, K_p , of the controller.

Integral gain — Integral gain, K_i

50 (default) | positive scalar

Integral gain, K_i , of the controller.

Anti-windup gain — Anti-windup gain, K_{aw}

1 (default) | positive scalar

Anti-windup gain, K_{aw} , of the controller.

Control action upper limit — Upper limit for the control signal, $control_{max}$

1 (default) | positive scalar

Upper limit for the **Control** output signal. The value must be greater than the value of the **Control action lower limit** parameter.

Control action lower limit — Lower limit for the control signal, $control_{min}$

0 (default) | non-negative scalar

Lower limit for the **Control** output signal.

Sample time (-1 for inherited) — Block sample time

-1 (default) | positive scalar

Time, in s, between consecutive block executions. During execution, the block produces outputs and, if appropriate, updates its internal state. For more information, see “What Is Sample Time?” and “Specify Sample Time”.

If this block is inside a triggered subsystem, inherit the sample time by setting this parameter to -1. If this block is in a continuous variable-step model, specify the sample time explicitly using a positive scalar.

Discretization sample time — Sample time for discretization

0.001 (default) | positive scalar

Time, in s, between consecutive discretizations.

Time constant voltage filter — DC voltage filter time constant, τ

0.001 (default) | positive scalar

Time constant, τ , for the DC voltage filter.

Dependencies

The **Time constant voltage filter** parameter is only visible when the **Filter DC voltage** checkbox is selected.

Enable zero cancellation — Feedforward zero cancellation

off (default) | on

Option to use zero cancellation on the feedforward path.

Dependencies

If you select the **Enable zero cancellation** option and set **Sample time (-1 for inherited)** to -1, the **Discretization sample time** parameter becomes visible.

Filter DC voltage — DC voltage filter option

on (default) | off

To enable the filter on voltage measurement path, select the checkbox. To disable the filter, clear the check box.

Dependencies

The **Time constant voltage filter** parameter is only visible when the **Filter DC voltage** check box is selected.

Extended Capabilities**C/C++ Code Generation**

Generate C and C++ code using Simulink® Coder™.

See Also**Blocks**

DC Current Controller | DC-DC Voltage Controller

Introduced in R2018a

DC Voltage Source

Constant voltage source

Library: Simscape / Electrical / Additional Components / SPICE Sources



Description

The DC Voltage Source block represents a constant voltage source whose output voltage value is independent of the current through the source.

Ports

Conserving

+ — Positive voltage

electrical

Electrical conserving port associated with the DC current source positive voltage

- — Negative voltage

electrical

Electrical conserving port associated with the DC current source negative voltage

Parameters

Constant value, DC — DC output voltage

0 V (default)

Value of the DC output voltage, in V.

Extended Capabilities

C/C++ Code Generation

Generate C and C++ code using Simulink® Coder™.

See Also

Simscape Blocks

[DC Current Source](#) | [Environment Parameters](#) | [Exponential Voltage Source](#) | [Piecewise Linear Voltage Source](#) | [Pulse Voltage Source](#) | [SFFM Voltage Source](#) | [Sinusoidal Voltage Source](#)

Functions

`subcircuit2ssc`

Topics

“Additional Parameterization Workflows”

“Converting a SPICE Netlist to Simscape Blocks”

“Parameterize an Exponential Diode from SPICE Netlist”

Introduced in R2008a

DC-DC Converter

Behavioral model of power converter

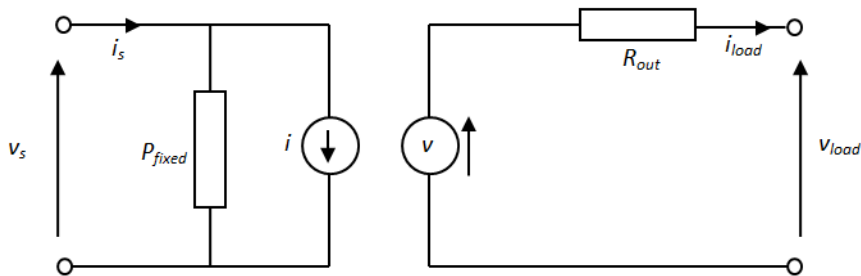
Library: Simscape / Electrical / Semiconductors & Converters / Converters



Description

The DC-DC Converter block represents a behavioral model of a power converter. This power converter regulates voltage on the load side. To balance input power, output power, and losses, the required amount of power is drawn from the supply side. Alternatively, the converter can support regenerative power flow from load to supply.

This circuit illustrates the converter's behavior.



The P_{fixed} component draws a constant power and corresponds to converter losses that are independent of load current. The power drawn is set by the **Fixed converter losses independent of loading** parameter value. The resistor R_{out} corresponds to losses that increase with load current, and is determined from the value you specify for the **Percentage efficiency at rated output power** parameter.

The voltage source is defined by the following equation:

$$v = v_{ref} - i_{load} D + i_{load} R_{out}$$

Where:

- v_{ref} is the load side voltage set point, as defined by the value you specify for the **Output voltage reference demand** parameter. Alternatively, you can provide this value as input to the **Vref** port when the **Voltage reference** parameter is set to External.
- D is the value you specify for the **Output voltage droop with output current** parameter. Having a separate value for droop makes control of how output voltage varies with load independent of load-dependent losses. Instead of specifying D directly, you can specify the **Percent voltage droop at rated load**.

The current source value i is calculated so that the power flowing in to the converter equals the sum of the power flowing out plus the converter losses.

To specify the converter behavior when the voltage presented by the load is higher than the converter output voltage reference demand, use the **Power direction** parameter:

- **Unidirectional power flow from supply to regulated side** — Current is blocked by the off-state diode, and the current source current i is zero. Set the conductance of this diode using the **Diode off-state conductance** parameter.
- **Bidirectional power flow** — Power is transmitted to the supply side, and i becomes negative.

Optionally, the block can include voltage regulation dynamics. If you select **Specify voltage regulation time constant** for the **Dynamics** parameter, then a first-order lag is added to the equation defining the voltage source value. With the dynamics enabled, a load step change results in a transient change in output voltage, the time constant being defined by the **Voltage regulation time constant** parameter.

Simulating Faults

You can use the physical signal input port F to simulate both DC supply failure and converter failure. This type of event cannot be simulated by simply disconnecting the DC supply, for example by opening a switch, because the average value model will attempt to increase supply-side current to unrealistic values as supply-side voltage drops.

You control the behavior in response to the physical signal fault input F by the parameters on the **Faults** tab of the block dialog box. With the default parameter settings:

- **Fault condition** is Output open circuit if $F \geq \text{Fault threshold}$
- **Fault threshold** is 0.5

You can leave the input F unconnected and the converter will work normally.

If a signal is connected to port F , then the block operates according to the parameter settings on the **Faults** tab. For example, if **Fault condition** is Output open circuit if $F \geq \text{Fault threshold}$, then when the signal at port F rises above the **Fault threshold** value, the converter stops operating. Zero current is taken from the supply side, and zero current is supplied to the load side.

Modeling thermal effects

The block has an optional thermal port, hidden by default. To expose the thermal port, right-click the block in your model, and then from the context menu select **Simscape > Block choices > Show thermal port**. This action displays the thermal port H on the block icon, and exposes the **Thermal Port** parameters.

The block transfers heat generated from electrical losses through a Controlled Heat Flow Rate Source to a Thermal Mass block. The electrical properties of the block do not change with temperature. Specify the thermal properties for this block using the parameters **Thermal mass** and **Initial temperature**.

Assumptions

- The two electrical networks connected to the supply-side and regulated-side terminals must each have their own Electrical Reference block.
- The supply-side equation defines a power constraint on the product of the voltage, v_s , and the current, i_s . For simulation, the solver must be able to uniquely determine v_s . To ensure that the solution is unique, the block implements two assertions:
 - $v_s > 0$ — This assertion ensures that the sign of v_s is uniquely defined
 - $i_s < i_{max}$ — This assertion deals with the case when the voltage supply to the block has a series resistance

When there is a series resistance, there are two possible steady-state solutions for i_s that satisfy the power constraint, the one with the smaller magnitude being the desired one. You should set the value for the **Maximum expected supply-side current** parameter, i_{max} , to be larger than the expected maximum current. This will ensure that when the model is initialized the initial current does not start at the undesired solution.

Ports

Conserving

1+ — Input positive terminal

electrical

Electrical conserving port associated with the positive terminal of the input side.

1- — Input negative terminal

electrical

Electrical conserving port associated with the negative terminal of the input side.

2+ — Output positive terminal

electrical

Electrical conserving port associated with the positive terminal of the output side.

2- — Output negative terminal

electrical

Electrical conserving port associated with the negative terminal of the output side.

Vref — Voltage reference

physical

Physical signal input port that provides the external voltage reference signal.

Dependencies

This port is visible only when the **Voltage Reference** parameter is set to External.

F — Fault signal

physical

Physical signal input port that provides the external fault trigger signal. You can leave this port unconnected if the parameters on the **Faults** tab of the block dialog box are set to their default values.

H — Thermal mass

thermal

Thermal conserving port that represents the thermal mass. When you expose this port, provide additional parameters to define battery behavior at a second temperature. For more information, see the “Thermal” on page 1-344 parameters.

Dependencies

To expose this port, right-click the block and select **Simscape > Block choices > Show thermal port**.

Parameters

Main

Voltage reference — Voltage reference

Internal (default) | External

Specify if you want to model the voltage reference internally or externally.

Output voltage reference demand — Voltage set point

10 V (default)

The set point for the voltage regulator, and the output voltage value when there is no output current.

Dependencies

This port is visible only when the **Voltage Reference** parameter is set to **Internal**.

Rated output power — Rated power

10 W (default)

Output power for which the percentage efficiency value is given. This parameter is also used to calculate droop, D , if droop is specified as a percentage.

Droop parameterization — Droop model

By voltage droop with output current (default) | By percent voltage droop at rated load

Select one of the following methods for droop parameterization:

- By voltage droop with output current — Specify the absolute value of droop, D . This is the default option.
- By percent voltage droop at rated load — Specify droop, D , as a percentage at rated load.

Output voltage droop with output current — Voltage droop at 1 A

0.1 V/A (default)

The number of volts that the output voltage will drop from the set point for an output current of 1 A.

Dependencies

This parameter is visible only if you select **By voltage droop with output current** for the **Droop parameterization** parameter.

Percent voltage droop at rated load — Voltage droop at rated load

2 (default)

The percentage by which voltage drops compared to the nominal output voltage when supplying the rated load.

Dependencies

This parameter is visible only if you select **By percent voltage droop at rated load** for the **Droop parameterization** parameter.

Power direction — Power flow direction

Unidirectional power flow from supply to regulated side (default) | Bidirectional power flow

Select one of the following methods for the direction of power conversion:

- **Unidirectional power flow from supply to regulated side** — Most small power regulators are unidirectional. This is the default option.
- **Bidirectional power flow** — Larger power converters can be bidirectional, for example, converters used in electric vehicles to allow regenerative braking.

Diode off-state conductance — Unidirectional diode

1e-8 1/Ohm (default)

Ideal diode incorporated on the output side to prevent current from being forced into the converter in the unidirectional configuration.

Maximum expected supply-side current — Maximum supply current

2 A (default)

Set this value to a value greater than the maximum expected supply-side current in your model. Using twice the expected maximum current is generally sufficient. For more information, see “Assumptions” on page 1-340.

Losses**Percentage efficiency at rated output power — Rated efficiency**

80 (default)

Efficiency as defined by 100 times the output load power divided by the input supply power.

Fixed converter losses independent of loading — Constant losses

1 W (default)

Power drawn by the P_{fixed} component in the equivalent circuit diagram, which corresponds to converter losses that are independent of load current.

Dynamics

Dynamics — Dynamics model

No dynamics (default) | Specify voltage regulation time constant

Specify whether to include voltage regulation dynamics:

- **No dynamics** — Do not consider the voltage regulation dynamics.
- **Specify voltage regulation time constant** — Add a first-order lag to the equation defining the voltage source value. With the dynamics enabled, a load step change results in a transient change in output voltage.

Voltage regulation time constant — Dynamics time constant

0.02 s (default)

Time constant associated with voltage transients when the load current is stepped.

Dependencies

This parameter is only visible when you select **Specify voltage regulation time constant** for the **Dynamics** parameter.

Initial output voltage demand — Initial demand voltage

10 V (default)

Value of v_{ref} at time zero. Normally, v_{ref} is defined by the **Output voltage reference demand** parameter. However, if you want to initialize the model with no transients when delivering a steady-state load current, you can set the initial v_{ref} value by using this parameter, and increase it accordingly to take account of output resistance and droop.

Dependencies

This parameter is only visible when you select **Specify voltage regulation time constant** for the **Dynamics** parameter.

Faults

Fault condition — Fault model

Output open circuit if $F \geq$ Fault threshold (default) | Output open circuit if $F \leq$ Fault threshold

Selects whether the converter is disabled by a signal that is high or low:

- **Output open circuit if $F \geq$ Fault threshold** — Converter is disabled if the signal at port F rises above the threshold value. This is the default option.
- **Output open circuit if $F \leq$ Fault threshold** — Converter is disabled if the signal at port F falls below the threshold value.

Fault threshold — Fault limit

0.5 (default)

Threshold value used to detect a fault.

Thermal

Thermal mass — Thermal mass associated with the thermal port

100 J/K (default)

Thermal mass associated with thermal port **H**. It represents the energy required to raise the temperature of the thermal port by one degree.

Initial temperature — Initial temperature at the thermal port

298.15 K (default)

Initial temperature associated with thermal port **H**.

Extended Capabilities

C/C++ Code Generation

Generate C and C++ code using Simulink® Coder™.

See Also

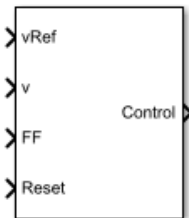
[Current Source](#) | [Voltage Source](#)

Introduced in R2012b

DC-DC Voltage Controller

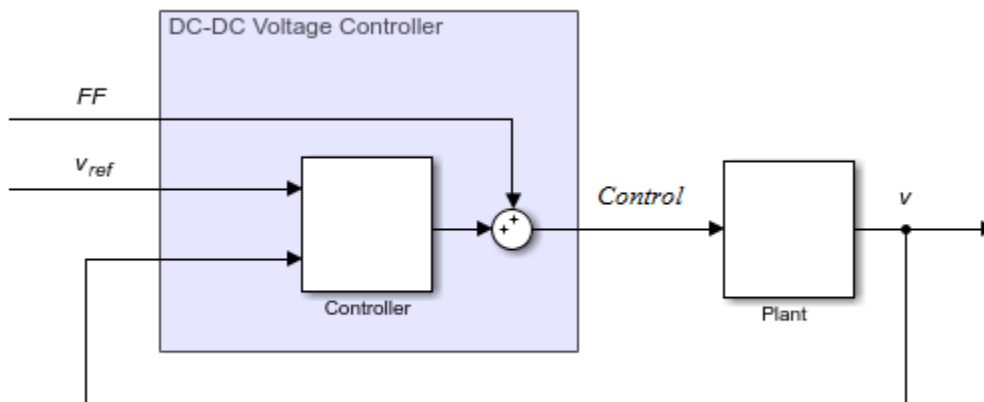
Discrete-time DC-DC voltage PI control with feedforward and optional integral anti-windup

Library: Simscape / Electrical / Control / General Machine Control



Description

The DC-DC Voltage Controller block implements discrete-time proportional-integral (PI) DC-DC voltage control with feedforward, FF . The feedforward input optimizes the transient response. The block can output a duty cycle or a current control signal. To avoid saturation of the integral gain, the block can implement anti-windup gain.



Equations

The equation that the DC-DC Voltage Controller block uses to calculate the control signal is

$$control = \left(K_p + K_i \frac{T_s z}{z-1} \right) (v_{ref} - v) + FF,$$

where:

- $control$ is the control signal, expressed as a duty cycle or a current.
- K_p is the proportional gain.
- K_i is the integral gain.
- T_s is the sample time.

- v_{ref} is the reference voltage.
- v is the measured voltage.
- FF is the feedforward input.

To avoid saturation of the integrator output, the block uses an anti-windup mechanism. The integrator gain is then equal to

$$K_i + K_{aw}(control_{sat} - control_{unsat}),$$

where:

- K_{aw} is the anti-windup gain.
- $control_{sat}$ is the saturated control signal, which the block calculates as $control_{sat} = \min(\max(control_{unsat}, control_{min}), control_{max})$,

where:

- $control_{unsat}$ is the unsaturated control signal.
- $control_{min}$ is the lower limit for the control signal.
- $control_{max}$ is the upper limit for the control signal.

Ports

Input

vRef — Reference DC voltage

scalar

Desired DC output voltage for the plant.

Data Types: `single` | `double`

v — Measured DC voltage

scalar

Measured DC output voltage for the plant.

Data Types: `single` | `double`

FF — Feedforward

scalar

Feedforward term.

Data Types: `single` | `double`

Reset — External reset

scalar

External reset signal (rising edge) for the integrator.

Data Types: `single` | `double`

Output

Control — Control signal

scalar

Control signal, *control*, expressed as a duty cycle or a current.

Data Types: `single` | `double`

Parameters

Proportional gain — Proportional gain, K_p

0.1 (default) | positive scalar

Proportional gain, K_p , of the controller.

Integral gain — Integral gain, K_i

50 (default) | positive scalar

Integral gain, K_i , of the controller.

Anti-windup gain — Anti-windup gain, K_{aw}

1 (default) | positive scalar

Anti-windup gain, K_{aw} , of the controller.

Control action upper limit — Upper limit for the control signal, $control_{max}$

1 (default) | positive scalar

Upper limit for the **Control** output signal. The value must be greater than the value of the **Control action lower limit** parameter.

Control action lower limit — Lower limit for the control signal, $control_{min}$

0 (default) | non-negative scalar

Lower limit for the **Control** output signal.

Sample time (-1 for inherited) — Block sample time

-1 (default) | positive scalar

Time, in s, between consecutive block executions. During execution, the block produces outputs and, if appropriate, updates its internal state. For more information, see “What Is Sample Time?” and “Specify Sample Time”.

If this block is inside a triggered subsystem, inherit the sample time by setting this parameter to -1. If this block is in a continuous variable-step model, specify the sample time explicitly using a positive scalar.

Time constant voltage filter — DC voltage filter time constant, τ

0.001 (default) | positive scalar

Time constant, τ , for the DC voltage filter.

Dependencies

The **Time constant voltage filter** parameter is only visible when the **Filter DC voltage** checkbox is selected.

Filter DC voltage — DC voltage filter option

on (default) | off

To enable the filter on voltage measurement path, select the checkbox. To disable the filter, clear the check box.

Dependencies

The **Time constant voltage filter** parameter is only visible when the **Filter DC voltage** check box is selected.

Extended Capabilities**C/C++ Code Generation**

Generate C and C++ code using Simulink® Coder™.

See Also**Blocks**

DC Current Controller | DC Voltage Controller

Introduced in R2018a

Delta Reference (Three-Phase)

Internal reference point for delta-connected network

Library: Simscape / Electrical / Connectors & References



Description

In a Simscape Electrical model, connect a Delta Reference (Three-Phase) block to any part of the three-phase system that is connected in a delta winding configuration. The block provides a reference point for the delta winding, representing the center of the line-line vector voltage triangle. The software calculates absolute node voltages relative to the voltage at this reference point.

For example, suppose you model a transmission system that consists of a generator connected in a wye configuration, a wye-delta transformer, a delta-wye transformer, and a load connected in wye. Connect a Delta Reference (Three-Phase) block to the part of the circuit between the two transformers.

Ports

Conserving

~ — **Expandable three-phase port**

electrical

Expandable composite (a,b, c) three-phase port

Extended Capabilities

C/C++ Code Generation

Generate C and C++ code using Simulink® Coder™.

See Also

Delta-Connected Load | Electrical Reference

Topics

“Expand and Collapse Three-Phase Ports on a Block”

Introduced in R2013b

Delta-Connected Load

Three-phase load wired in delta configuration

Library: Simscape / Electrical / Passive / RLC Assemblies



Description

The Delta-Connected Load block models a three-phase load wired in a delta configuration. Each limb of the load can include any combination of a resistor (R), capacitor (C), and inductor (L), connected in series or in parallel.

You can specify values for the R, L, and C components directly in terms of resistance, inductance, and capacitance, or by rated powers at a rated voltage and frequency.

- If you parameterize the block directly in terms of R, L, and C values, then for initialization provide a three-element row vector of initial voltages for a capacitor, and a three-element row vector of initial currents for an inductor.
- If you parameterize the block in terms of rated powers, then specify initial conditions in terms of an initial voltage, initial voltage phase, and initial frequency. For example, if the load is connected directly to a three-phase voltage source, then the initial conditions are identical to the source values for RMS line voltage, frequency, and phase shift. To specify zero initial voltage magnitude, set the initial voltage to 0.

For certain combinations of R, L, and C, for some circuit topologies, specify parasitic resistance or conductance values that help the simulation to converge numerically. These parasitic terms ensure that an inductor has a small parallel resistive path and that a capacitor has a small series resistance. When you parameterize the block in terms of rated powers, the rated power values do not account for these small parasitic terms. The rated powers represent only the R, L, and C values of the load itself.

Block parameterization

The following two tables list the block parameters for each **Component structure**, based on the selected **Parameterization** option:

- Specify by rated power
- Specify component values directly

Specify by Rated Power

Component Structure	Main Parameters	Parasitics Parameters	Initial Conditions Parameters
R	Rated voltage Real power	None	None
L	Rated voltage Rated electrical frequency Inductive reactive power	Parasitic parallel conductance	Terminal voltage magnitude Terminal voltage angle Frequency
C	Rated voltage Rated electrical frequency Capacitive reactive power	Parasitic series resistance	Terminal voltage magnitude Terminal voltage angle Frequency
Series RL	Rated voltage Rated electrical frequency Real power Inductive reactive power	Parasitic parallel conductance	Terminal voltage magnitude Terminal voltage angle Frequency
Series RC	Rated voltage Rated electrical frequency Real power Capacitive reactive power	None	Terminal voltage magnitude Terminal voltage angle Frequency
Series LC	Rated voltage Rated electrical frequency Inductive reactive power Capacitive reactive power	Parasitic parallel conductance	Terminal voltage magnitude Terminal voltage angle Frequency

Component Structure	Main Parameters	Parasitics Parameters	Initial Conditions Parameters
Series RLC	Rated voltage Rated electrical frequency Real power Inductive reactive power Capacitive reactive power	Parasitic parallel conductance	Terminal voltage magnitude Terminal voltage angle Frequency
Parallel RL	Rated voltage Rated electrical frequency Real power Inductive reactive power	None	Terminal voltage magnitude Terminal voltage angle Frequency
Parallel RC	Rated voltage Rated electrical frequency Real power Capacitive reactive power	Parasitic series resistance	Terminal voltage magnitude Terminal voltage angle Frequency
Parallel LC	Rated voltage Rated electrical frequency Inductive reactive power Capacitive reactive power	Parasitic series resistance	Terminal voltage magnitude Terminal voltage angle Frequency

Component Structure	Main Parameters	Parasitics Parameters	Initial Conditions Parameters
Parallel RLC	Rated voltage Rated electrical frequency Real power Inductive reactive power Capacitive reactive power	Parasitic series resistance	Terminal voltage magnitude Terminal voltage angle Frequency

Specify Component Values Directly

Component Structure	Main Parameters	Parasitics Parameters	Initial Conditions Parameters
R	Resistance	None	None
L	Inductance	Parasitic parallel conductance	Initial inductor current [Ia Ib Ic]
C	Capacitance	Parasitic series resistance	Initial capacitor voltage [Va Vb Vc]
Series RL	Resistance Inductance	Parasitic parallel conductance	Initial inductor current [Ia Ib Ic]
Series RC	Resistance Capacitance	None	Initial capacitor voltage [Va Vb Vc]
Series LC	Inductance Capacitance	Parasitic parallel conductance	Initial inductor current [Ia Ib Ic] Initial capacitor voltage [Va Vb Vc]
Series RLC	Resistance Inductance Capacitance	Parasitic parallel conductance	Initial inductor current [Ia Ib Ic] Initial capacitor voltage [Va Vb Vc]
Parallel RL	Resistance Inductance	None	Initial inductor current [Ia Ib Ic]
Parallel RC	Resistance Capacitance	Parasitic series resistance	Initial capacitor voltage [Va Vb Vc]
Parallel LC	Inductance Capacitance	Parasitic series resistance	Initial inductor current [Ia Ib Ic] Initial capacitor voltage [Va Vb Vc]
Parallel RLC	Resistance Inductance Capacitance	Parasitic series resistance	Initial inductor current [Ia Ib Ic] Initial capacitor voltage [Va Vb Vc]

Variables

Use the **Variables** tab to specify the priority and initial target values for the block variables before simulation. For more information, see “Set Priority and Initial Target for Block Variables”.

To enable the **Variables** tab, set the **Parameterization** parameter to Specify component values directly. The tab is not visible if you set **Component structure** to R.

Ports

Conserving

~ — Three-phase port

electrical

Electrical expandable three-phase port.

Parameters

Main

Parameterization — Parameterization

Specify by rated power (default) | Specify component values directly

Select one of these values:

- Specify by rated power — Specify values for the R, L, and C components by rated powers at a rated voltage and frequency. This is the default.
- Specify component values directly — Specify values for the R, L, and C components directly in terms of resistance, inductance, and capacitance.

Switching the **Parameterization** value resets the **Component structure** value. Select the component parameterization option first, and then the component structure. If you later switch the **Parameterization** value, check the **Component structure** value and reselect it, if necessary.

Component structure — Desired combination

R (default) | L | C | Series RL | Series RC | Series LC | Series RLC | Parallel RL | Parallel RC | Parallel LC | Parallel RLC

Select the desired combination of a resistor (R), capacitor (C), and inductor (L), connected in series or in parallel.

Rated voltage — Rated voltage

2.4e4 V (default)

Voltage for which load powers are specified. This parameter is visible only when you specify values by rated power.

Dependencies

This parameter is visible only when you select Specify by rated power for the **Parameterization** parameter.

Real power — Total real dissipated power

1000 W (default) | positive scalar

Total real power dissipated by three-phase load when supplied at the rated voltage. The value must be greater than 0.

Dependencies

This parameter is visible only when you select Specify by rated power for the **Parameterization** parameter and select a component structure that includes a resistor.

Rated electrical frequency — Rated electrical frequency

60 Hz (default)

Frequency for which reactive load powers are specified.

Dependencies

This parameter is visible only when you select **Specify by rated power** for the **Parameterization** parameter.

Inductive reactive power — Inductive reactive power

100 V*A (default) | positive scalar

Total inductive reactive power taken by the three-phase load when supplied at the rated voltage. The value must be greater than 0.

Dependencies

This parameter is visible only when you select **Specify by rated power** for the **Parameterization** parameter and select a component structure that includes an inductor.

Capacitive reactive power — Total capacitive reactive power

-100 V*A (default) | negative scalar

Total capacitive reactive power taken by the three-phase load when supplied at the rated voltage. The value must be less than 0.

Dependencies

This parameter is visible only when you select **Specify by rated power** for the **Parameterization** parameter and select a component structure that includes a capacitor.

Resistance — Resistance

1 Ohm (default)

The resistance of each of the load limbs.

Dependencies

This parameter is visible only when you select **Specify component values directly** for the **Parameterization** parameter and select a component structure that includes a resistor.

Inductance — Inductance

0.001 H (default)

Inductance of each of the load limbs.

Dependencies

This parameter is visible only when you select **Specify component values directly** for the **Parameterization** parameter and select a component structure that includes an inductor.

Capacitance — Capacitance

1e-6 F (default)

Capacitance in each of the load limbs.

Dependencies

This parameter is visible only when you select **Specify component values directly** for the **Parameterization** parameter and select a component structure that includes a capacitor.

Parasitics**Parasitic series resistance — Parasitic series resistance**

1e-6 Ohm (default)

Represents small parasitic effects. The parameter value corresponds to the series resistance value added to all instances of capacitors in the load.

Parasitic parallel conductance — Parasitic parallel conductance

1e-6 1/Ohm (default)

Represents small parasitic effects. The parameter value corresponds to the parallel conductance value added across all instances of inductors in the load.

Extended Capabilities**C/C++ Code Generation**

Generate C and C++ code using Simulink® Coder™.

See Also

RLC (Three-Phase) | Wye-Connected Load

Topics

“Expand and Collapse Three-Phase Ports on a Block”

Introduced in R2013b

Diffusion Resistor

Resistor model with velocity saturation and optional tolerance, operational limits, fault behavior, and noise

Library: Simscape / Electrical / Passive



Description

The Diffusion Resistor block represents a resistor with velocity saturation, while letting you model the following effects:

- “Tolerances” on page 1-359
- “Operating Limits” on page 1-360
- “Faults” on page 1-360
- “Thermal Noise” on page 1-360
- “Thermal Port” on page 1-361

You can turn these modeling options on and off independently of each other.

In its simplest form, the resistance of the Diffusion Resistor block is:

$$R = R_0 \left(1 - p_2 - p_3 + p_2 \sqrt{1 + (\theta_2 v_{pn})^2} + p_3 \sqrt[3]{1 + |\theta_3 v_{pn}|^3} \right)$$

where:

- R_0 is zero-bias resistance.
- p_2 and p_3 are the quadratic and linear voltage coefficients, respectively.
- θ_2 and θ_3 are inverse voltages for quadratic and linear voltage activation, respectively.
- v_{pn} is applied voltage across the resistor.

At low bias,

$$R \approx R_0 \left(1 + \frac{p_2 \theta_2^2 v_{pn}^2}{2} \right)$$

and therefore p_2 and θ_2 determine the low-bias quadratic behavior of the resistor.

At high bias,

$$R \approx R_0 (1 - p_2 - p_3 + |v_{pn}| (p_2 \theta_2 + p_3 \theta_3))$$

and therefore p_3 and θ_3 impact only the high-bias linear behavior of the resistor.

You can use the voltage-dependence of the resistance to model velocity saturation in a diffused resistor. For sufficiently high voltage,

$$i_{sat} = \frac{1}{R_0(p_2\theta_2 + p_3\theta_3)}$$

where i_{sat} is saturation current.

Simplified Parameterization

The simplified parameterization model assumes that the quadratic and linear coefficients are the same. This is one of the recommended assumptions for the r2_cmc model provided by the Compact Model Coalition, as a reasonable initial guess when performing parameter extraction. With this assumption, it is possible to define two new parameters, **Critical voltage** and **Corner voltage**, which provide a simpler means for parameterizing models:

$$p_2 = p_3 = \frac{v_{co}}{2v_{crit}}$$

$$\theta_2 = \theta_3 = \frac{1}{2v_{co}}$$

where:

- v_{crit} is critical voltage.
- v_{co} is corner voltage.

At high voltage,

$$\frac{dR}{dv_{pn}} \approx \frac{R_0}{v_{crit}}$$

and therefore, critical voltage is the reciprocal of the slope of the increase of R/R_0 with voltage.

With this parameterization, the saturation current is

$$i_{sat} = \frac{v_{crit}}{R_0}$$

Tolerances

You can apply tolerances to the nominal value you provide for the **Resistance** parameter. Datasheets typically provide a tolerance percentage for a given resistor type. The table shows how the block applies tolerances and calculates resistance based on the selected **Tolerance application** option.

Option	Resistance Value
None – use nominal value	R_0
Random tolerance	Uniform distribution: $R_0 \cdot (1 - tol + 2 \cdot tol \cdot rand)$ Gaussian distribution: $R_0 \cdot (1 + tol \cdot randn / nSigma)$
Apply maximum tolerance value	$R_0 \cdot (1 + tol)$
Apply minimum tolerance value	$R_0 \cdot (1 - tol)$

In the table,

- R_0 is the **Resistance** parameter value, nominal zero-bias resistance.
- tol is fractional tolerance, **Tolerance (%)** /100.
- $nSigma$ is the value you provide for the **Number of standard deviations for quoted tolerance** parameter.
- `rand` and `randn` are standard MATLAB functions for generating uniform and normal distribution random numbers.

Note If you choose the `Random tolerance` option and you are in "Fast Restart" mode, the random tolerance value is updated on every simulation if at least one between the fractional tolerance, tol , or the **Number of standard deviations for quoted tolerance**, $nSigma$, is set to Run-time and is defined with a variable (even if you do not modify that variable).

Operating Limits

You can specify operating limits in terms of power and maximum working voltage. For the thermal variant of the block (see "Thermal Port" on page 1-361), you can also specify operating limits in terms of temperature.

When an operating limit is exceeded, the block can either generate a warning or stop the simulation with an error. For more information, see the "Operating Limits" on page 1-364 parameters section.

Faults

The Diffusion Resistor block allows you to model an electrical fault as an instantaneous change in resistance. The block can trigger fault events:

- At a specific time
- When a current limit is exceeded for longer than a specific time interval

You can enable or disable these trigger mechanisms separately, or use them together if more than one trigger mechanism is required in a simulation. When more than one mechanism is enabled, the first mechanism to trigger the fault takes precedence. In other words, component fails no more than once per simulation.

When the resistor fails, its resistance is changed to the value you specify for the **Faulted zero-voltage resistance** parameter. You can also choose whether to issue an assertion when a fault occurs, by using the **Reporting when a fault occurs** parameter. The assertion can take the form of a warning or an error. By default, the block does not issue an assertion.

Thermal Noise

The Diffusion Resistor block can generate thermal noise current. If you set the **Noise mode** parameter to `Enabled`, then the block includes a noise current source connected in parallel to the diffusion resistor.

If the sampling time is h , then the thermal noise is given by:

$$i_N = \sqrt{2kT/R} \frac{N(0, 1)}{\sqrt{h}}$$

where:

- k is the Boltzmann constant, $1.3806504e-23$ J/K.
- T is temperature.
- R is resistance.
- N is a Gaussian random number with zero mean and standard deviation of one.
- $2kT/R$ is the double-sided thermal noise power distribution (the single-sided equivalent is $4kT/R$).

The block generates Gaussian noise by using the PS Random Number source in the Simscape Foundation library. You can control the random number seed by setting the **Repeatability** parameter:

- **Not repeatable** — Every time you simulate your model, the block resets the random seed using the MATLAB random number generator:

$$\text{seed} = \text{randi}(2^{32}-1);$$
- **Repeatable** — The block automatically generates a seed value and stores it inside the block, to always start the simulation with the same random number. This auto-generated seed value is set when you add a Diffusion Resistor block from the block library to the model. When you make a new copy of the Diffusion Resistor block from an existing one in a model, a new seed value is generated. The block sets the value using the MATLAB random number generator command shown above.
- **Specify seed** — If you select this option, the additional **Seed** parameter lets you directly specify the random number seed value.

Thermal Port

The block has an optional thermal port, hidden by default. To expose the thermal port, right-click the block in your model, and then from the context menu select **Simscape > Block choices > Show thermal port**. This action displays the thermal port H on the block icon, and adds the **Thermal** tab and the **Variables** tab to the block dialog box.

Use the **Thermal** tab to specify how the resistance value changes with temperature and to set the thermal mass. Use the **Variables** tab to set the initial temperature target.

For the thermal variant, the defining equation for the resistance is augmented with additional temperature scaling:

$$R = R_0 \left(1 + T_{C1}^{eff} \Delta T + T_{C2}^{eff} (\Delta T)^2 \right) \left(1 - p_2 - p_3 + p_2 \sqrt{1 + (\theta_2 v_{pn})^2} + p_3 \sqrt[3]{1 + |\theta_3 v_{pn}|^3} \right)$$

where T_{C1}^{eff} and T_{C2}^{eff} are the linear and quadratic temperature scaling coefficients, respectively.

$$\Delta T = T_{sim} - T_{meas}$$

where:

- T_{sim} is simulation temperature.
- T_{meas} is measurement temperature.

With the thermal port exposed, the generated noise uses the temperature at the thermal port when determining the instantaneous noise value. Exposing the thermal port also extends the options on the **Operating Limits** tab as follows:

- The **Power rating** parameter becomes temperature dependent. You define a temperature up to which the full power rating is available, plus a higher temperature for which the power rating is

reduced to zero. It is assumed that the power rating decreases linearly with temperature between these two values.

- An additional parameter, **Operating temperature range, [Tmin Tmax]**, lets you define the valid temperature range for block operation.

Variables

Use the **Variables** section of the block interface to set the priority and initial target values for the block variables prior to simulation. For more information, see “Set Priority and Initial Target for Block Variables”.

This section appears only for the blocks with exposed thermal port. The **Temperature** variable lets you specify a high-priority target for the temperature at the start of simulation.

Basic Assumptions and Limitations

Simulating with noise enabled slows down simulation. Choose the sample time (h) so that noise is generated only at frequencies of interest, and not higher.

Ports

Conserving

+ – Positive terminal

electrical

Electrical conserving port associated with the resistor positive terminal.

- – Negative terminal

electrical

Electrical conserving port associated with the resistor negative terminal.

H – Resistor thermal mass

thermal

Thermal conserving port that represents the resistor thermal mass.

Dependencies

Enabled for the thermal variant of the block. For more information, see “Thermal Port” on page 1-361.

Parameters

Main

Resistance – Nominal zero-bias resistance

1 Ohm (default)

The zero-bias resistance, used as the nominal resistance value. Resistance value must be greater than zero. For the thermal variant of the block, this is the zero-bias resistance at a temperature equal to the **Measurement temperature** parameter in the “Thermal” on page 1-369 section.

Tolerance (%) – Resistor tolerance, in percent

5 (default)

The resistor tolerance as defined on the manufacturer datasheet.

Tolerance application – Select how to apply tolerance during simulation

None – use nominal value (default) | Random tolerance | Apply maximum tolerance value | Apply minimum tolerance value

Select how to apply tolerance during simulation:

- **None – use nominal value** – The block does not apply tolerance, uses the nominal resistance value. This is the default.
- **Random tolerance** – The block applies random offset to the resistance value, within the tolerance value limit. You can choose Uniform or Gaussian distribution for calculating the random number by using the **Tolerance distribution** parameter.
- **Apply maximum tolerance value** – The resistance is increased by the specified tolerance percent value.
- **Apply minimum tolerance value** – The resistance is decreased by the specified tolerance percent value.

Tolerance distribution – Select the distribution type

Uniform (default) | Gaussian

Select the distribution type for random tolerance:

- **Uniform** – Uniform distribution
- **Gaussian** – Gaussian distribution

Dependencies

Enabled when the **Tolerance application** parameter is set to **Random tolerance**.

Number of standard deviations for quoted tolerance – Used for calculating the Gaussian random number

4 (default)

Number of standard deviations for calculating the Gaussian random number.

Dependencies

Enabled when the **Tolerance distribution** parameter is set to **Gaussian**.

Parameterization – Select parameterization method

Simplified (default) | Advanced

Select how to apply tolerance during simulation:

- **Simplified** – Assume that the quadratic and linear coefficients are the same, and define block behavior using the **Critical voltage** and **Corner voltage** parameters.
- **Advanced** – Explicitly specify values for the quadratic and linear voltage coefficients and for the inverse voltages for quadratic and linear voltage activation.

Critical voltage – Critical voltage for saturation

4 V (default)

Critical voltage for the saturation mechanism. You can determine this parameter value by taking the reciprocal of the slope of the increase of R/R_0 with voltage.

Dependencies

Enabled when the **Parameterization** parameter is set to Simplified.

Corner voltage – Voltage at which the resistance increase starts to occur

2 V (default)

Corner voltage, at which the resistance increase starts to occur. The **Corner voltage** must be less than the **Critical voltage**.

Dependencies

Enabled when the **Parameterization** parameter is set to Simplified.

Quadratic voltage coefficient – Coefficient p_2

0.25 (default)

Coefficient p_2 from the defining equation.

Dependencies

Enabled when the **Parameterization** parameter is set to Advanced.

Inverse voltage for quadratic voltage activation – Coefficient θ_2

0.25 1/V (default)

Coefficient θ_2 from the defining equation.

Dependencies

Enabled when the **Parameterization** parameter is set to Advanced.

Linear voltage coefficient – Coefficient p_3

0.25 (default)

Coefficient p_3 from the defining equation.

Dependencies

Enabled when the **Parameterization** parameter is set to Advanced.

Inverse voltage for linear voltage activation – Coefficient θ_3

0.25 1/V (default)

Coefficient θ_3 from the defining equation.

Dependencies

Enabled when the **Parameterization** parameter is set to Advanced.

Operating Limits

Enable operating limits – Select Yes to enable reporting when the operational limits are exceeded

No (default) | Yes

Select **Yes** to enable reporting when the operational limits are exceeded. The associated parameters in the **Operating Limits** section become visible to let you select the reporting method and specify the operating limits in terms of power and maximum working voltage. Parameters that specify operating limits in terms of temperature are visible only for blocks with exposed thermal port (see “Thermal Port” on page 1-361). The default value is **No**.

Reporting when operating limits exceeded — Select the reporting method

Warn (default) | Error

Select what happens when an operating limit is exceeded:

- Warn — The block issues a warning.
- Error — Simulation stops with an error.

Dependencies

Enabled when the **Enable operating limits** parameter is set to **Yes**.

Maximum working voltage — Maximum voltage allowed for normal block operation

100 V (default)

Maximum voltage magnitude allowed for normal block operation.

Dependencies

Enabled when the **Enable operating limits** parameter is set to **Yes**.

Power rating — Maximum power allowed for normal block operation

1 W (default)

Maximum power allowed for normal block operation.

If you expose the thermal port of the block, this parameter becomes temperature dependent. The value you specify for the **Power rating** parameter applies up to the temperature specified by the **Temperature below which full power rating is available** parameter value. Then the power rating decreases linearly with temperature, until it becomes 0 at temperature specified by the **Temperature above which power rating is reduced to zero** parameter value.

Dependencies

Enabled when the **Enable operating limits** parameter is set to **Yes**.

Temperature below which full power rating is available — Maximum temperature where full power rating still applies

70 °C (default)

Maximum temperature where full power rating, specified by the **Power rating** parameter value, still applies.

Dependencies

Enabled for the thermal variant of the block. For more information, see “Thermal Port” on page 1-1339.

Temperature above which power rating is reduced to zero — Temperature where power rating becomes 0

155 °C (default)

Temperature where power rating becomes 0. Above this temperature, the simulation always issues an assertion regardless of dissipated power. This parameter value must be higher than **Temperature below which full power rating is available**.

Dependencies

Enabled for the thermal variant of the block. For more information, see “Thermal Port” on page 1-1339.

Operating temperature range, [Tmin Tmax] — Minimum and maximum temperature values allowed for normal block operation

[-50 150] °C (default)

A row vector of length 2 specifying minimum and maximum temperature values allowed for normal block operation. The first element is the lowest allowable operating temperature, and the second element is the largest allowable operating temperature.

Dependencies

Enabled for the thermal variant of the block. For more information, see “Thermal Port” on page 1-1339.

Faults**Enable faults — Select Yes to enable faults modeling**

No (default) | Yes

Select Yes to enable faults modeling. The associated parameters in the **Faults** section become visible to let you select the reporting method and specify the trigger mechanism (temporal or behavioral). You can enable these trigger mechanisms separately or use them together.

Reporting when a fault occurs — Choose whether to issue an assertion when a fault occurs

None (default) | Warn | Error

Choose whether to issue an assertion when a fault occurs:

- None — The block does not issue an assertion.
- Warn — The block issues a warning.
- Error — Simulation stops with an error.

Dependencies

Enabled when the **Enable faults** parameter is set to Yes.

Faulted zero-voltage resistance — Resistance when block is in faulted state

inf Ohm (default)

Zero-voltage resistance between the + and - ports when the block is in the faulted state.

Dependencies

Enabled when the **Enable faults** parameter is set to Yes.

Enable temporal fault trigger — Select Yes to enable time-based fault triggering

No (default) | Yes

Select **Yes** to enable time-based fault triggering. You can enable the temporal and behavioral trigger mechanisms separately or use them together.

Dependencies

Enabled when the **Enable faults** parameter is set to **Yes**.

Simulation time for fault event – Time before entering faulted state

1 s (default)

Set the simulation time at which you want the block to enter the faulted state.

Dependencies

Enabled when the **Enable temporal fault trigger** parameter is set to **Yes**.

Enable behavioral fault trigger – Select Yes to enable behavioral fault triggering

No (default) | Yes

Select **Yes** to enable behavioral fault triggering. You can enable the temporal and behavioral trigger mechanisms separately or use them together.

Dependencies

Enabled when the **Enable faults** parameter is set to **Yes**.

Maximum permissible current – Current threshold to fault transition

1 A (default)

Specify the maximum permissible current value. If the current exceeds this value for longer than the **Time to fail when exceeding maximum permissible current** parameter value, then the block enters the faulted state.

Dependencies

Enabled when the **Enable behavioral fault trigger** parameter is set to **Yes**.

Time to fail when exceeding maximum permissible current – Maximum length of time the current exceeds the threshold

1 s (default)

Set the maximum length of time that the current can exceed the maximum permissible value without triggering the fault.

Dependencies

Enabled when the **Enable behavioral fault trigger** parameter is set to **Yes**.

Noise**Noise mode – Select whether to model thermal noise current**

Disabled (default) | Enabled

Select whether to model thermal noise current:

- **Disabled** — No noise is produced by the resistor.
- **Enabled** — Resistor generates thermal noise current, and the associated parameters become visible in the **Noise** section.

Sample time — Rate at which the noise source is sampled

1e-3 s (default)

Defines the rate at which the noise source is sampled. Choose it to reflect the frequencies of interest in your model. Making the sample time too small will unnecessarily slow down your simulation.

Dependencies

Enabled when the **Noise mode** parameter is set to Enabled.

Repeatability — Select the noise control option

Not repeatable (default) | Repeatable | Specify seed

Select the noise control option:

- **Not repeatable** — The random sequence used for noise generation is not repeatable.
- **Repeatable** — The random sequence used for noise generation is repeatable, with a system-generated seed.
- **Specify seed** — The random sequence used for noise generation is repeatable, and you control the seed by using the **Seed** parameter.

Dependencies

Enabled when the **Noise mode** parameter is set to Enabled.

Auto-generated seed used for repeatable option — Auto-generated random number seed

random real number

Random number seed stored inside the block to make the random sequence repeatable. The parameter value is automatically generated using the MATLAB random number generator command. You can modify this parameter value, but it gets overwritten by a new random value if you copy the block to another block in the model. Therefore, if you want to control the seed of the random sequence, use the **Specify seed** option for the **Repeatability** parameter and specify the desired seed value using the **Seed** parameter.

Dependencies

Enabled when the **Repeatability** parameter is set to Repeatable.

Seed — Random number seed

0 (default)

Seed used by the noise random number generator.

Dependencies

Enabled when the **Repeatability** parameter is set to Specify seed.

Device simulation temperature — Temperature of resistor at the start of the simulation

25 °C (default)

The temperature of the resistor at the start of the simulation.

Dependencies

Enabled when the **Noise mode** parameter is set to Enabled.

For blocks with an exposed thermal port, this parameter is disabled. Instead, use the **Variables** tab to set the initial temperature target. For more information, see “Variables” on page 1-362.

Thermal

This section appears only for blocks with exposed thermal port. For more information, see “Thermal Port” on page 1-361.

Resistance linear temperature coefficient — Specifies how the resistance value changes with temperature

0 1/K (default)

The coefficient T_{C1}^{eff} in the equation that describes resistance as a function of temperature. See “Thermal Port” on page 1-361 for details.

Resistance quadratic temperature coefficient — Specifies how the resistance value changes with temperature

0 1/K² (default)

The coefficient T_{C2}^{eff} in the equation that describes resistance as a function of temperature. See “Thermal Port” on page 1-361 for details.

Measurement temperature — Temperature corresponding to nominal resistance

25 °C (default)

The temperature T_0 , for which the nominal resistance R is specified.

Thermal mass — Thermal mass associated with port H

100 J/K (default)

Thermal mass associated with the thermal port H. It represents the energy required to raise the temperature of the thermal port by one degree.

Extended Capabilities

C/C++ Code Generation

Generate C and C++ code using Simulink® Coder™.

See Also

Fault | Resistor

Introduced in R2017b

Diode

Piecewise or exponential diode

Library: Simscape / Electrical / Semiconductors & Converters / Semiconductors



Description

The Diode block can represent either a piecewise linear diode, an exponential diode, or a diode with tabulated I-V curve.

Piecewise Linear Diode

The piecewise linear diode model is the same model as the **Simscape > Foundation Library > Electrical > Electrical Elements > Diode** block, with the addition of a fixed junction capacitance and optional charge dynamics. If the diode forward voltage exceeds the value specified in the **Forward voltage** parameter, the diode behaves as a linear resistor with the resistance specified in the **On resistance** parameter. Otherwise, the diode behaves as a linear resistor with the small conductance specified in the **Off conductance** parameter. Zero voltage across the diode results in zero current flowing.

Exponential Diode

The exponential diode model represents the following relationship between the diode current I and the diode voltage V :

$$I = IS \cdot \left(e^{\frac{qV}{NkT_{m1}}} - 1 \right) \quad V > -BV$$

$$I = -IS \cdot \left(e^{\frac{-q(V+Vz)}{kT_{m1}}} - e^{\frac{qV}{NkT_{m1}}} \right) \quad V \leq -BV$$

where:

- q is the elementary charge on an electron (1.602176e-19 coulombs).
- k is the Boltzmann constant (1.3806503e-23 J/K).
- BV is the **Reverse breakdown voltage** parameter value.
- N is the emission coefficient.
- IS is the saturation current.
- T_{m1} is the temperature at which the diode parameters are specified, as defined by the **Measurement temperature** parameter value.

When $(qV / NkT_{m1}) > 80$, the block replaces $e^{\frac{qV}{NkT_{m1}}}$ with $(qV / NkT_{m1} - 79)e^{80}$, which matches the gradient of the diode current at $(qV / NkT_{m1}) = 80$ and extrapolates linearly. When $(qV / NkT_{m1}) < -79$, the block replaces $e^{\frac{qV}{NkT_{m1}}}$ with $(qV / NkT_{m1} + 80)e^{-79}$, which also matches the gradient and

extrapolates linearly. Typical electrical circuits do not reach these extreme values. The block provides this linear extrapolation to help convergence when solving for the constraints during simulation.

When you select Use parameters I_S and N for the **Parameterization** parameter, you specify the diode in terms of the **Saturation current I_S** and **Emission coefficient N** parameters. When you select Use two I-V curve data points for the **Parameterization** parameter, you specify two voltage and current measurement points on the diode I-V curve and the block derives the I_S and N values. The block then calculates I_S and N as follows:

- $N = ((V_1 - V_2)/V_t)/(\log(I_1) - \log(I_2))$
- $I_S = (I_1/(\exp(V_1/(NV_t)) - 1) + I_2/(\exp(V_2/(NV_t)) - 1))/2$

where:

- $V_t = kT_{m1} / q$.
- V_1 and V_2 are the values in the **Voltages [V1 V2]** vector.
- I_1 and I_2 are the values in the **Currents [I1 I2]** vector.

When you select Use an I-V data point and I_S for the **Parameterization** parameter, then the block calculates N as follows:

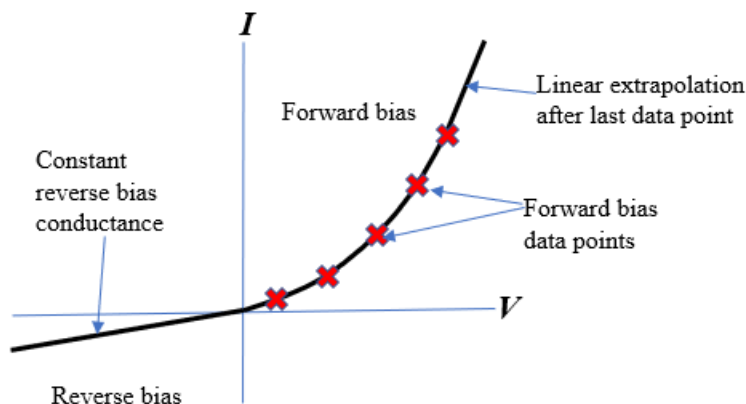
$$N = V_1 / \left(V_t \log \left(\frac{I_1}{I_S} + 1 \right) \right)$$

When you select Use an I-V data point and N for the **Parameterization** parameter, then the block calculates I_S as follows:

$$I_S = I_1 / (\exp(V_1/(NV_t)) - 1)$$

Tabulated Diode

To model a tabulated diode, set the **Diode model** parameter to Tabulated I-V curve. This figure shows the implementation of the tabulated diode option:



When choosing this parameterization, you must provide the data for the forward bias only. If the diode is reverse biased, it is modeled as a constant off-state conductance specified in the **Off conductance** parameter instead. The value of the **Off conductance** must be less than the gradient of the forward I-V curve for small positive voltages.

The block implements the diode using a smooth interpolation option. If the diode exceeds the provided tabulated data range, the block uses a linear extrapolation technique at the last voltage-current data point.

Note The tabulated diode does not model the reverse breakdown.

Junction Capacitance

The block provides the option to include a junction capacitance:

- When you select **Include fixed or zero junction capacitance** for the **Junction capacitance** parameter, the capacitance is fixed.
- When you select **Use parameters CJO, VJ, M & FC** for the **Junction capacitance** parameter, the block uses the coefficients *CJO*, *VJ*, *M*, and *FC* to calculate a junction capacitance that depends on the junction voltage.
- When you select **Use C-V curve data points** for the **Junction capacitance** parameter, the block uses three capacitance values on the C-V capacitance curve to estimate *CJO*, *VJ*, and *M* and uses these values with the specified value of *FC* to calculate a junction capacitance that depends on the junction voltage. The block calculates *CJO*, *VJ*, and *M* as follows:

- $$CJO = C_1((V_{R2} - V_{R1})/(V_{R2} - V_{R1}(C_2/C_1)^{-1/M}))^M$$
- $$VJ = -(-V_{R2}(C_1/C_2)^{-1/M} + V_{R1})/(1 - (C_1/C_2)^{-1/M})$$
- $$M = \log(C_3/C_2)/\log(V_{R2}/V_{R3})$$

where:

- V_{R1} , V_{R2} , and V_{R3} are the values in the **Reverse bias voltages [VR1 VR2 VR3]** vector.
- C_1 , C_2 , and C_3 are the values in the **Corresponding capacitances [C1 C2 C3]** vector.

The reverse bias voltages (defined as positive values) should satisfy $V_{R3} > V_{R2} > V_{R1}$. This means that the capacitances should satisfy $C_1 > C_2 > C_3$ as reverse bias widens the depletion region and hence reduces capacitance. Violating these inequalities results in an error. Voltages V_{R2} and V_{R3} should be well away from the Junction potential *VJ*. Voltage V_{R1} should be less than the Junction potential *VJ*, with a typical value for V_{R1} being 0.1 V.

The voltage-dependent junction capacitance is defined in terms of the capacitor charge storage Q_j as:

- For $V < FC \cdot VJ$:

$$Q_j = CJO \cdot (VJ/(M - 1)) \cdot ((1 - V/VJ)^{1-M} - 1)$$

- For $V \geq FC \cdot VJ$:

$$Q_j = CJO \cdot F_1 + (CJO/F_2) \cdot (F_3 \cdot (V - FC \cdot VJ) + 0.5(M/VJ) \cdot (V^2 - (FC \cdot VJ)^2))$$

where:

- $F_1 = (VJ/(1 - M)) \cdot (1 - (1 - FC)^{1-M})$
- $F_2 = (1 - FC)^{1+M}$

- $F_3 = 1 - FC \cdot (1 + M)$

These equations are the same as used in [2 on page 1-389], except that the temperature dependence of V_J and FC is not modeled.

Charge Dynamics

For applications such as commutation diodes it can be important to model diode charge dynamics. When a forward-biased diode has a reverse voltage applied across it, it takes time for the charge to dissipate and hence for the diode to turn off. The time taken for the diode to turn off is captured primarily by the transit time parameter. Once the diode is off, any remaining charge then dissipates, the rate at which this happens being determined by the carrier lifetime.

The Diode block uses the model of Lauritzen and Ma [3 on page 1-389] to capture these effects. These are the defining equations.

$$i = \frac{q_E - q_M}{T_M} \quad (1-2)$$

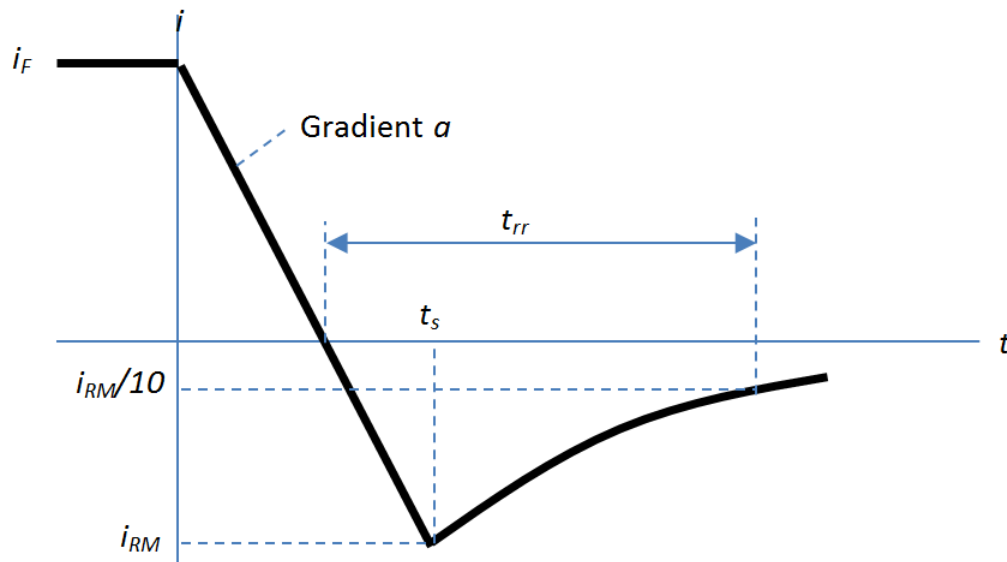
$$\frac{dq_M}{dt} + \frac{q_M}{\tau} - \frac{q_E - q_M}{T_M} = 0 \quad (1-3)$$

$$q_E = (\tau + T_M)i \quad (1-4)$$

where:

- i is the diode current.
- q_E is the junction charge.
- q_M is the total stored charge.
- T_M is the transit time.
- τ is the carrier lifetime.
- v_D is the voltage across the diode.
- v_F is the diode forward voltage.
- R is the diode on resistance.
- G is the diode off conductance.

This graphic shows a typical reverse-mode current characteristic for a diode device.



where:

- i_{RM} is the peak reverse current.
- i_F is the starting forward current when measuring i_{RM} .
- a is the rate of change of current when measuring i_{RM} .
- t_{rr} is the reverse recovery time.

Data sheets for diodes quote values for peak reverse current for an initial forward current and a steady rate of change of current. The data sheet might also provide values for reverse recovery time and total recovery charge.

How the Block Calculates T_M and Tau

The block calculates transit time T_M and carrier lifetime τ based on the values you enter for the **Charge Dynamics** parameters. The block uses T_M and τ to solve the charge dynamics equations 1, 2, and 3.

During initial current drop in reverse mode, the diode is still on, and the rate of change of current is determined by an external test circuit.

First, the block uses equation 1 to perform this calculation.

$$i_F + at = \frac{q_E - q_M}{T_M} \quad (1-5)$$

Then, it substitutes equation 4 into equation 2.

$$\frac{dq_M}{dt} + \frac{q_M}{\tau} = i_F + at \quad (1-6)$$

Then, it solves equation 5 for q_M ,

$$q_M = i_F \tau - a \tau^2 + \frac{k}{\exp\left(\frac{t}{\tau}\right)} + a \tau t, \quad (1-7)$$

where k is a constant.

When t is zero, $i = i_F$ and $q_M = \tau i_F$ because the system is in steady state.

Substituting these relationships into equation 6 and solving the equation gives $k = a\tau^2$.

Therefore,

$$q_M = i_F \tau + a\tau^2 \left(\frac{1}{\exp\left(\frac{t}{\tau}\right)} - 1 \right) + a\tau t. \quad (1-8)$$

At time $t = t_s$, the current is i_{RM} and the junction charge q_E is zero.

The block substitutes these values into equation 1.

$$i_{RM} = \frac{-q_M}{T_M} \quad (1-9)$$

The block rearranges equation 8 to solve for q_M and substitutes the result into equation 7.

$$-T_M i_{RM} = i_F \tau + a\tau^2 \left(\frac{1}{\exp\left(\frac{t_s}{\tau}\right)} - 1 \right) + a\tau t_s \quad (1-10)$$

Then, the block expresses time t_s in terms of i_{RM} , i_F , and a .

$$t_s = \frac{i_{RM} - i_F}{a} \quad (1-11)$$

Consider the diode recovery, that is, when $t > t_s$. The diode is reverse biased, and current and junction charge are effectively zero.

The current is defined by this equation.

$$i = i_{RM} \exp\left[-\frac{(t - t_s)}{\tau_{rr}}\right], \quad (1-12)$$

where:

$$\frac{1}{\tau_{rr}} = \frac{1}{\tau} + \frac{1}{T_M}. \quad (1-13)$$

The block now relates the expression in equation 12 to the reverse recovery time t_{rr} .

When $t = \frac{i_{RM}}{a} + t_{rr}$, the current is $\frac{i_{RM}}{10}$.

Therefore,

$$\exp\left(-\frac{t - t_s}{\tau_{rr}}\right) = 0.1 \quad (1-14)$$

and

$$t_{rr} = \tau_{rr} \log(10) + \frac{i_{RM}}{a}. \quad (1-15)$$

The block uses equations 9 and 14 to calculate values for T_M and τ . The calculation uses an iterative scheme because of the exponential term in Equation 9.

Alternatives to Specifying t_{rr} Directly

In addition to allowing you to specify reverse recovery time t_{rr} directly, the block supports two alternative parameterizations. The block can derive t_{rr} from either of these parameters:

- Reverse recovery time stretch factor λ
- Reverse recovery charge Q_{rr} , when the data sheet specifies this value instead of the reverse recovery time.

The relationship between reverse recovery time stretch factor λ and t_{rr} is expressed by the equation

$$\lambda = \frac{t_{rr} a}{i_{RM}}.$$

Reverse recovery time must be greater than $\frac{i_{RM}}{a}$ and a typical value is $3(\frac{i_{RM}}{a})$.

Therefore, a typical value for λ is 3. λ must be greater than 1.

Reverse recovery charge Q_{rr} is the integral over time of the reverse current from the point where the current goes negative until it decays back to zero.

The initial charge, to time t_s (as shown in the figure), is expressed by this equation:

$$Q_s = \frac{1}{2}(-i_{RM})\frac{i_{RM}}{a}. \quad (1-16)$$

Integrating equation 11 gives the charge between times t_s and inf. This charge is equal to

$$\tau_{rr} i_{RM}.$$

Therefore, total reverse recovery charge is given by this equation:

$$Q_{rr} = -\frac{i_{RM}^2}{2a} + \tau_{rr} i_{RM}. \quad (1-17)$$

Rearranging equation 16 to solve for τ_{rr} and substituting the result into equation 14 gives an equation that expresses t_{rr} in terms of Q_{rr} :

$$t_{rr} = \left(\frac{Q_{rr}}{i_{RM}} + \frac{i_{RM}}{2a} \right) \log(10) + \frac{i_{RM}}{a}.$$

Temperature Dependence

The default behavior for the Diode block is that dependence on temperature is not modeled, and the device is simulated at the temperature for which you provide block parameters. The exponential diode model contains several options for modeling the dependence of the diode current-voltage relationship on temperature during simulation. Temperature dependence of the junction capacitance is not modeled because it has a much smaller effect.

When including temperature dependence, the diode defining equation remains the same. The measurement temperature value, T_{m1} , is replaced with the simulation temperature, T_s . The saturation current, IS , becomes a function of temperature according to the following equation:

$$IS_{T_s} = IS_{T_{m1}} \cdot (T_s/T_{m1})^{XTI/N} \cdot \exp\left(-\frac{EG}{NkT_s}(1 - T_s/T_{m1})\right)$$

where:

- T_{m1} is the temperature at which the diode parameters are specified, as defined by the **Measurement temperature** parameter value.
- T_s is the simulation temperature.
- $IS_{T_{m1}}$ is the saturation current at measurement temperature.
- IS_{T_s} is the saturation current at simulation temperature. This is the saturation current value used in the standard diode equation when temperature dependence is modeled.
- EG is the energy gap for the semiconductor type measured in joules(J). The value for silicon is usually taken to be 1.11 eV, where 1 eV is 1.602e-19.
- XTI is the saturation current temperature exponent. This is usually set to 3.0 for pn-junction diodes, and 2.0 for Schottky barrier diodes.
- N is the emission coefficient.
- k is the Boltzmann constant (1.3806503e-23 J/K).

Appropriate values for XTI and EG depend on the type of diode and the semiconductor material used. Default values for particular material types and diode types capture approximate behavior with temperature. The block provides default values for common types of diode.

In practice, the values of XTI and EG need tuning to model the exact behavior of a particular diode. Some manufacturers quote these tuned values in a SPICE Netlist, and you can read off the appropriate values. Otherwise, you can determine improved estimates for EG by using a datasheet-defined current-voltage data point at a higher temperature. The block provides a parameterization option for this. It also gives the option of specifying the saturation current at a higher temperature $IS_{T_{m2}}$ directly.

You can also tune the values of XTI and EG yourself, to match lab data for your particular device. You can use Simulink Design Optimization™ software to help tune the values for XTI and EG .

Caution Device temperature behavior is also dependent on the emission coefficient. An inappropriate value for the emission coefficient can give incorrect temperature dependence, because saturation current is a function of the ratio of EG to N .

If defining a finite reverse breakdown voltage (BV), then the value of the reverse BV is modulated by the reverse breakdown temperature coefficient TCV (specified using the **Reverse breakdown voltage temperature coefficient, dBV/dT** parameter):

$$BV_{T_s} = BV_{T_{m1}} - TCV \cdot (T_s - T_{m1}) \quad (1-18)$$

Modeling Variants

The block provides a thermal modeling variant. To select a variant, right-click the block in your model. From the context menu, select **Simscape > Block choices**, and then one of these variants:

- **No thermal port** — This variant does not simulate heat generation in the device. This variant is the default.
- **Show thermal port** — This variant contains a thermal port that allows you to model the heat that conduction losses generate. For numerical efficiency, the thermal state does not affect the electrical behavior of the block. The thermal port is hidden by default. When you select a thermal variant of the block, the thermal port appears.

Thermal Port

The block has an optional thermal port, hidden by default. To expose the thermal port, right-click the block in your model, and then from the context menu select **Simscape > Block choices > Show thermal port**. This action displays the thermal port **H** on the block icon, and exposes the **Thermal Port** parameters.

Use the thermal port to simulate the effects of generated heat and device temperature. For more information on using thermal ports and on the **Thermal Port** parameters, see “Simulating Thermal Effects in Semiconductors”.

Variables

Use the **Variables** section of the block interface to set the priority and initial target values for the block variables prior to simulation. For more information, see “Set Priority and Initial Target for Block Variables”.

Assumptions and Limitations

- When you select Use two I-V curve data points for the **Parameterization** parameter, choose a pair of voltages near the diode turn-on voltage. Typically, this is in the range from 0.05 to 1 V. Using values outside of this region may lead to numerical issues and poor estimates for IS and N .
- The block does not account for temperature-dependent effects on the junction capacitance.
- You may need to use nonzero ohmic resistance and junction capacitance values to prevent numerical simulation issues, but the simulation may run faster with these values set to zero.
- You cannot use the Tabulated I-V curve parameterization to model the reverse breakdown.

Ports

Conserving

+ — Positive terminal

electrical

Electrical conserving port associated with the anode.

- — Negative terminal

electrical

Electrical conserving port associated with the cathode.

H — Thermal port

thermal

Thermal conserving port. The thermal port is optional and is hidden by default. To enable this port, select a variant that includes a thermal port.

Parameters

Main

Diode model — Diode model

Piecewise Linear (default) | Exponential | Tabulated I-V curve

Select one of these diode models:

- **Piecewise Linear** — Use a piecewise linear model for the diode, as described in “Piecewise Linear Diode” on page 1-370. This is the default method.
- **Exponential** — Use a standard exponential model for the diode, as described in “Exponential Diode” on page 1-370.
- **Tabulated I-V curve** — Use tabulated forward bias I-V data plus fixed reverse bias off conductance, as described in “Tabulated Diode” on page 1-371.

Forward voltage — Forward voltage

0.6 V (default)

Minimum voltage that needs to be applied for the diode to become forward-biased.

Dependencies

To enable this parameter, set **Diode model** to Piecewise linear.

On resistance — On resistance

0.3 Ohm (default)

Resistance of the diode when it is forward biased.

Dependencies

To enable this parameter, set **Diode model** to Piecewise linear.

Off conductance — Off conductance

1e-8 1/Ohm (default)

Conductance of the diode when it is reverse biased.

Dependencies

To enable this parameter, set **Diode model** to Piecewise linear or Tabulated I-V curve.

Parameterization — Model parameterization

Use two I-V curve data points (default) | Use parameters IS and N | Use an I-V data point and IS | Use an I-V data point and N

Select one of the following methods for model parameterization:

- **Use two I-V curve data points** — Specify measured data at two points on the diode I-V curve. This is the default method.

- Use parameters **IS** and **N** — Specify saturation current and emission coefficient.
- Use an **I-V data point** and **IS** — Specify measured data at a single point on the diode I-V curve in combination with the saturation current.
- Use an **I-V data point** and **N** — Specify measured data at a single point on the diode I-V curve in combination with the emission coefficient.

Dependencies

To enable this parameter, set **Diode model** to **Exponential**.

Currents [I1 I2] — Vector of current values at two points

[.0137, .545] A (default)

Vector of the current values at the two points on the diode I-V curve that the block uses to calculate *IS* and *N*.

Dependencies

To enable this parameter, set **Diode model** to **Exponential** and **Parameterization** to **Use two I-V curve data points**.

Voltages [V1 V2] — Vector of voltage values at two points

[.6, .7] V (default)

Vector of the voltage values at the two points on the diode I-V curve that the block uses to calculate *IS* and *N*.

Dependencies

To enable this parameter, set **Diode model** to **Exponential** and **Parameterization** to **Use two I-V curve data points**.

Saturation current, IS — Saturation current

1e-12 A (default)

Magnitude of the current that the ideal diode equation approaches asymptotically for very large reverse bias levels.

Dependencies

To enable this parameter, set **Diode model** to **Exponential** and **Parameterization** to **Use parameters IS and N** or **Use an I-V data point and IS**.

Emission coefficient, N — Diode emission coefficient

1 (default)

Diode emission coefficient or ideality factor.

Dependencies

To enable this parameter, set **Diode model** to **Exponential** and **Parameterization** to **Use parameters IS and N** or **Use an I-V data point and IS**.

Current I1 — Current value

0.0137 A (default)

Current value at the point on the diode I-V curve that the block uses for calculations. Depending on the **Parameterization** value, the block uses this parameter to calculate either N or IS .

Dependencies

To enable this parameter, set **Diode model** to Exponential and **Parameterization** to Use an I-V data point and IS or Use an I-V data point and N .

Voltage V_1 — Voltage value

0.6 V (default)

Voltage value at the point on the diode I-V curve that the block uses for calculations.

Dependencies

To enable this parameter, set **Diode model** to Exponential and **Parameterization** to Use an I-V data point and IS or Use an I-V data point and N .

Ohmic resistance, R_S — Ohmic resistance

0 Ohm (default)

Series diode connection resistance.

Dependencies

To enable this parameter, set **Diode model** to Exponential.

Measurement temperature — Measurement temperature

25 degC (default)

Temperature T_{m1} at which IS or the I-V curve was measured.

Forward currents, $I_f(T_j, V_f)$ — Vector of forward currents

[.07, .12, .19, 1.75, 4.24, 7.32, 11.2; .16, .3, .72, 2.14, 4.02, 6.35, 9.12] A (default) | nonnegative vector

Forward currents. This parameter must be a vector of at least three nonnegative elements.

Dependencies

To enable this parameter, set **Diode model** to Tabulated I-V curve.

Junction temperatures, T_j — Vector of junction temperatures

[25, 125] degC (default)

Vector of junction temperatures. This parameter must be a vector of at least two elements.

Dependencies

To enable this parameter, set **Diode model** to Tabulated I-V curve.

Forward voltages, V_f — Vector of forward voltages

[.5, .7, .9, 1.3, 1.7, 2.1, 2.5] V (default)

Vector of forward voltages. This parameter must be a vector of at least three nonnegative values.

Dependencies

To enable this parameter, set **Diode model** to Tabulated I-V curve.

Number of series diodes — Number of diodes connected in series

1 (default)

Number of diodes connected in series between the + and - block ports. Multiple diodes are not modeled. Rather, each diode has all voltage-related quantities scaled by the factor that you specify.

Number of parallel diodes — Number of parallel diodes

1 (default)

Number of parallel diodes, or number of parallel paths formed by series-connected diodes, between the + and - block ports. Multiple diodes are not modeled. Rather, each diode has all current-related quantities scaled by the factor that you specify.

Breakdown**Zener resistance — Zener resistance**

0.3 Ohm (default)

Resistance of the diode when the voltage is less than the **Reverse breakdown voltage** value.

Dependencies

To enable this parameter, set **Diode model** to Piecewise linear.

Reverse breakdown voltage — Reverse breakdown voltage

inf V (default)

Reverse voltage below which to model the rapid increase in conductance that occurs at diode breakdown. The default value is Inf V, which effectively omits reverse breakdown from the model.

Capacitance**Capacitance — Modeling junction capacitance**

Fixed or zero junction capacitance (default) | Use C-V curve data points | Use parameters CJ0, VJ, M & FC

Method for modeling the junction capacitance:

- Fixed or zero junction capacitance — Model the junction capacitance as a fixed value.
- Use C-V curve data points — Specify measured data at three points on the diode C-V curve.
- Use parameters CJ0, VJ, M & FC — Specify zero-bias junction capacitance, junction potential, grading coefficient, and forward-bias depletion capacitance coefficient.

Junction capacitance — Junction capacitance

5 pF (default)

Fixed junction capacitance value.

Dependencies

To enable this parameter, set **Capacitance** to Fixed or zero junction capacitance.

Reverse bias voltages [VR1 VR2 VR3] — Vector of reverse bias voltage values

[.1, 10, 100] V (default)

Vector of the reverse bias voltage values at the three points on the diode C-V curve that the block uses to calculate C_{J0} , V_J , and M .

Dependencies

To enable this parameter, set **Capacitance** to Use C-V curve data points.

Corresponding capacitances [C1 C2 C3] – Vector of capacitance values

[3.5, 1, .4] pF (default)

Vector of the capacitance values at the three points on the diode C-V curve that the block uses to calculate C_{J0} , V_J , and M .

Dependencies

To enable this parameter, set **Capacitance** to Use C-V curve data points.

Zero-bias junction capacitance, C_{J0} – Zero-bias junction capacitance

5 pF (default)

Value of the capacitance placed in parallel with the conduction current term.

Dependencies

To enable this parameter, set **Capacitance** to Use parameters C_{J0} , V_J , M & FC .

Junction potential, V_J – Junction potential

1 V (default)

The junction potential.

Dependencies

To enable this parameter, set **Capacitance** to Use parameters C_{J0} , V_J , M & FC .

Grading coefficient, M – Grading coefficient

0.5 (default)

Grading coefficient.

Dependencies

To enable this parameter, set **Capacitance** to Use parameters C_{J0} , V_J , M & FC .

Capacitance coefficient, FC – Capacitance coefficient

0.5 (default)

Fitting coefficient that quantifies the decrease of the depletion capacitance with applied voltage.

Dependencies

To enable this parameter, set **Capacitance** to Use parameters C_{J0} , V_J , M & FC .

Charge dynamics – Charge dynamics parameterization

Do not model charge dynamics (default) | Use peak reverse current and stretch factor | Use peak reverse current and reverse recovery time | Use peak reverse current and reverse recovery charge | Use transit time and carrier lifetime

Select one of the following methods for charge dynamics parameterization:

- Do not model charge dynamics — Do not include charge dynamics modeling. This is the default method.
- Use peak reverse current and stretch factor — Model charge dynamics by providing values for peak reverse current i_{RM} and stretch factor λ plus information on the initial forward current and rate of change of current used in the test circuit when measuring i_{RM} and t_{rr} .
- Use peak reverse current and reverse recovery time — Model charge dynamics by providing values for peak reverse current i_{RM} and reverse recovery time t_{rr} plus information on the initial forward current and rate of change of current used in the test circuit when measuring i_{RM} and t_{rr} . Use this option if the manufacturer datasheet does not provide values for transit time TT and carrier lifetime τ .
- Use peak reverse current and reverse recovery charge — Model charge dynamics by providing values for peak reverse current i_{RM} and reverse recovery charge Q_{rr} plus information on the initial forward current and rate of change of current used in the test circuit when measuring i_{RM} and t_{rr} .
- Use transit time and carrier lifetime — Model charge dynamics by providing values for transit time TT and carrier lifetime τ .

Peak reverse current, i_{RM} — Peak reverse current

-7.15 A (default) | negative scalar

Peak reverse current measured by an external test circuit. This value must be less than zero.

Dependencies

To enable this parameter, set **Charge dynamics** to Use peak reverse current and stretch factor, Use peak reverse current and reverse recovery time, or Use peak reverse current and reverse recovery charge.

Initial forward current when measuring i_{RM} — Initial forward current when measuring i_{RM}

4 A (default) | positive scalar

Initial forward current when measuring peak reverse current. This value must be greater than zero.

Dependencies

To enable this parameter, set **Charge dynamics** to Use peak reverse current and stretch factor, Use peak reverse current and reverse recovery time, or Use peak reverse current and reverse recovery charge.

Rate of change of current when measuring i_{RM} — Rate of change of current when measuring i_{RM}

-750 A/ μ s (default) | negative scalar

Rate of change of current when measuring peak reverse current. This value must be less than zero.

Dependencies

To enable this parameter, set **Charge dynamics** to Use peak reverse current and stretch factor, Use peak reverse current and reverse recovery time, or Use peak reverse current and reverse recovery charge.

Reverse recovery time stretch factor — Reverse recovery time stretch factor

3 (default)

Value that the block uses to calculate **Reverse recovery time, trr**. This value must be greater than 1. The default value is 3.

Specifying the stretch factor is an easier way to parameterize the reverse recovery time than specifying the reverse recovery charge. The larger the value of the stretch factor, the longer it takes for the reverse recovery current to dissipate.

Dependencies

To enable this parameter, set **Charge dynamics** to Use peak reverse current and stretch factor.

Reverse recovery time, trr – Reverse recovery time

115 (default)

Time between the point where the current initially goes to zero when the diode turns off, and the point where the current falls to less than ten percent of the peak reverse current. The default value is 115 ns.

The value of the **Reverse recovery time, trr** parameter must be greater than the value of the **Peak reverse current, iRM** parameter divided by the value of the **Rate of change of current when measuring iRM** parameter.

Dependencies

To enable this parameter, set **Charge dynamics** to Use peak reverse current and reverse recovery time.

Reverse recovery charge, Qrr – Reverse recovery charge

1500 s*μA (default)

Value that the block uses to calculate **Reverse recovery time, trr**. Use this parameter if the data sheet for your diode device specifies a value for the reverse recovery charge instead of a value for the reverse recovery time.

The reverse recovery charge is the total charge that continues to dissipate when the diode turns off.

The value must be less than $-\frac{i_{RM}^2}{2a}$,

where:

- i_{RM} is the value specified for **Peak reverse current, iRM**.
- a is the value specified for **Rate of change of current when measuring iRM**.

Dependencies

To enable this parameter, set **Charge dynamics** to Specify reverse recovery charge.

Transit time, TT – Transit time

50 ns (default)

Measure of how long it takes carriers to cross the diode junction.

Dependencies

To enable this parameter, set **Charge dynamics** to Use transit time and carrier lifetime.

Carrier lifetime, tau – Carrier lifetime

100 ns (default)

Measure of how long it takes for the carriers to dissipate once the diode is no longer conducting. The default value is 100 ns.

Dependencies

To enable this parameter, set **Charge dynamics** to Use transit time and carrier lifetime.

Temperature Dependence

This section is applicable to Exponential and Tabulated I-V curve diode models only.

This table shows how the visibility of **Temperature Dependence** setting depends on how you configure the **Diode model** parameter in the **Main** setting and whether you expose the thermal port. To learn how to read this table, see “Parameter Dependencies” on page A-2

Visibility of the Temperature Dependence Setting

Parameters, options, and visibility of the setting					
Diode model					
<i>Piecewise linear</i>		<i>Exponential</i>		<i>Tabulated I-V curve</i>	
Thermal Port		Thermal Port		Thermal Port	
<i>Not exposed</i>	<i>Exposed</i>	<i>Not exposed</i>	<i>Exposed</i>	<i>Not exposed</i>	<i>Exposed</i>
Hidden	Hidden	Visible	Visible	Visible	Hidden

Parameterization – Temperature dependence parameterization

None - Use characteristics at parameter measurement temperature (default) | Use an I-V data point at second measurement temperature | Specify saturation current at second measurement temperature | Specify the energy gap EG

Select one of the following methods for temperature dependence parameterization:

- None - Use characteristics at parameter measurement temperature — Temperature dependence is not modeled, or the model is simulated at the measurement temperature T_{m1} (as specified by the **Measurement temperature** parameter on the **Main** tab). This is the default method.
- Use an I-V data point at second measurement temperature T2 — If you select this option, you specify a second measurement temperature T_{m2} , and the current and voltage values at this temperature. The model uses these values, along with the parameter values at the first measurement temperature T_{m1} , to calculate the energy gap value.
- Specify saturation current at second measurement temperature T2 — If you select this option, you specify a second measurement temperature T_{m2} , and saturation current value at this temperature. The model uses these values, along with the parameter values at the first measurement temperature T_{m1} , to calculate the energy gap value.
- Specify the energy gap EG — Specify the energy gap value directly.

Current I1 at second measurement temperature – Current I1 at second measurement temperature

0.0245 A (default)

Specify the diode current $I1$ value when the voltage is $V1$ at the second measurement temperature.

Dependencies

To enable this parameter, set **Parameterization** to Use an I-V data point at second measurement temperature.

Voltage $V1$ at second measurement temperature — Voltage $V1$ at second measurement temperature

0.5 V (default)

Specify the diode voltage $V1$ value when the current is $I1$ at the second measurement temperature.

Dependencies

To enable this parameter, set **Parameterization** to Use an I-V data point at second measurement temperature.

Saturation current, I_S , at second measurement temperature — Saturation current, I_S , at second measurement temperature

1.25e-7 A (default)

Specify the saturation current I_S value at the second measurement temperature.

Dependencies

To enable this parameter, set **Parameterization** to Specify saturation current at second measurement temperature.

Second measurement temperature — Second measurement temperature

125 °C (default)

Specify the value for the second measurement temperature.

Dependencies

To enable this parameter, set **Parameterization** to Use an I-V data point at second measurement temperature or Specify saturation current at second measurement temperature.

Energy gap parameterization — Energy gap parameterization

Use nominal value for silicon (EG=1.11eV) (default) | Use nominal value for 4H-SiC silicon carbide (EG=3.23eV) | Use nominal value for 6H-SiC silicon carbide (EG=3.00eV) | Use nominal value for germanium (EG=0.67eV) | Use nominal value for gallium arsenide (EG=1.43eV) | Use nominal value for selenium (EG=1.74eV) | Use nominal value for Schottky barrier diodes (EG=0.69eV) | Specify a custom value

Select a value for the energy gap from a list of predetermined options, or specify a custom value:

- Use nominal value for silicon (EG=1.11eV) — This is the default.
- Use nominal value for 4H-SiC silicon carbide (EG=3.23eV)
- Use nominal value for 6H-SiC silicon carbide (EG=3.00eV)
- Use nominal value for germanium (EG=0.67eV)
- Use nominal value for gallium arsenide (EG=1.43eV)

- Use nominal value for selenium ($EG=1.74\text{eV}$)
- Use nominal value for Schottky barrier diodes ($EG=0.69\text{eV}$)
- Specify a custom value — If you select this option, the **Energy gap, EG** parameter appears in the dialog box, to let you specify a custom value for EG .

Dependencies

To enable this parameter, set **Parameterization** to Specify the energy gap EG .

Energy gap, EG — Energy gap

1.11 eV (default)

Specify a custom value for the energy gap, EG .

Dependencies

To enable this parameter, set **Energy gap parameterization** to Specify a custom value.

Saturation current temperature exponent parameterization — Saturation current temperature exponent parameterization

Use nominal value for pn-junction diode ($XTI=3$) (default) | Use nominal value for Schottky barrier diode ($XTI=2$) | Specify a custom value

Select one of the following options to specify the saturation current temperature exponent value:

- Use nominal value for pn-junction diode ($XTI=3$) — This is the default.
- Use nominal value for Schottky barrier diode ($XTI=2$)
- Specify a custom value — If you select this option, the **Saturation current temperature exponent, XTI** parameter appears in the dialog box, to let you specify a custom value for XTI .

Dependencies

To enable this parameter, set **Parameterization** to Use an I-V data point at second measurement temperature, Specify saturation current at second measurement temperature, or Specify the energy gap, EG .

Saturation current temperature exponent, XTI — Saturation current temperature exponent

3 (default)

Specify a custom value for the saturation current temperature exponent, XTI .

Dependencies

To enable this parameter, set **Parameterization** to Use an I-V data point at second measurement temperature, Specify saturation current at second measurement temperature, or Specify the energy gap, EG and **Saturation current temperature exponent parameterization** to Specify a custom value.

Reverse breakdown voltage temperature coefficient, dBV/dT — Reverse breakdown voltage temperature coefficient

0 V/K (default)

Modulate the reverse breakdown voltage BV . If you define the reverse breakdown voltage BV as a positive quantity, a positive value for TCV implies that the magnitude of the reverse breakdown voltage decreases with temperature.

Dependencies

To enable this parameter, set **Parameterization** to Use an I-V data point at second measurement temperature, Specify saturation current at second measurement temperature, or Specify the energy gap, EG.

Device simulation temperature – Device simulation temperature

25 °C (default)

Specify the value for the temperature T_s , at which the device is to be simulated.

Dependencies

To enable this parameter, set **Parameterization** to Use an I-V data point at second measurement temperature, Specify saturation current at second measurement temperature, or Specify the energy gap, EG.

Thermal Port

Use the thermal port to simulate the effects of generated heat and device temperature. For more information on using thermal ports and on the **Thermal Port** parameters, see “Simulating Thermal Effects in Semiconductors”.

References

- [1] MH. Ahmed and P.J. Spreadbury. *Analogue and digital electronics for engineers*. 2nd Edition. Cambridge, UK: Cambridge University Press, 1984.
- [2] G. Massobrio and P. Antognetti. *Semiconductor Device Modeling with SPICE*. 2nd Edition. New York: McGraw-Hill, 1993.
- [3] Lauritzen, P.O. and C.L. Ma. “A Simple Diode Model with Reverse Recovery.” *IEEE® Transactions on Power Electronics*. Vol. 6, No. 2, April 1991, pp. 188-191.

Extended Capabilities

C/C++ Code Generation

Generate C and C++ code using Simulink® Coder™.

See Also

GTO | IGBT (Ideal, Switching) | Ideal Semiconductor Switch | MOSFET (Ideal, Switching) | N-Channel MOSFET | P-Channel MOSFET | Thyristor (Piecewise Linear)

Topics

“Simulating Thermal Effects in Semiconductors”

Introduced in R2008a

Discrete PI Controller

Discrete-time PI controller with external anti-windup input

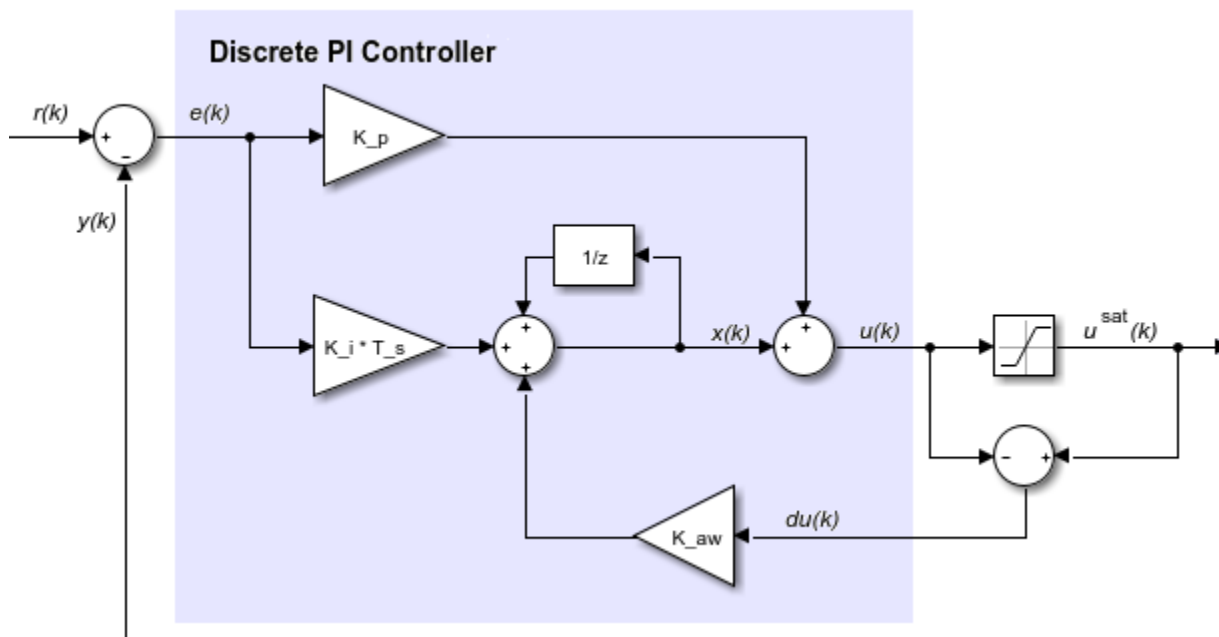
Library: Simscape / Electrical / Control / General Control



Description

The Discrete PI Controller block implements discrete PI control with external anti-windup input.

This diagram is the equivalent circuit for the controller with external anti-windup input.



Equations

The Discrete PI Controller block calculates the control signal using the backward Euler discretization method:

$$u(k) = \left[K_p + (K_i + du(k)K_{aw}) \frac{T_s z}{z-1} \right] e(k),$$

where

- u is the control signal.
- K_p is the proportional gain coefficient.
- K_i is the integral gain coefficient.

- K_{aw} is the anti-windup gain coefficient.
- T_s is the sampling period.
- e is the error signal.

To prevent excessive overshoot, the block can use back calculation to implement an external anti-windup mechanism. It inputs $du(k)$, the difference between the saturated control signal, $u^{sat}(k)$, and the calculated unsaturated control signal, $u(k)$. It then multiplies the difference by the anti-windup coefficient and adds the amplified signal from the integral gain.

Ports

Input

e — Error signal

scalar

Error signal, $e(k)$, obtained as the difference between the reference, $r(k)$, and measurement, $y(k)$, signals.

Data Types: single | double

du — Control signal saturation

scalar

Difference, $du(k)$, between the saturated $u^{sat}(k)$ and the unsaturated control signals, $u(k)$. If $du(k)$ is zero, the anti-windup is disabled.

Description

Data Types: single | double

Reset — Integrator gain reset

scalar

External reset (rising edge) signal for the integrator.

Data Types: single | double

Output

u — Control signal

scalar

Control signal, $u(k)$.

Data Types: single | double

Parameters

Proportional gain — K_p

1 (default) | positive scalar

Proportional gain, K_p , of the PI controller.

Integral gain – K_i

1 (default) | positive scalar

Integral gain, K_i , of the PI controller.**Anti-windup gain – K_{aw}**

1 (default) | positive scalar

Anti-windup gain, K_{aw} , of the PI controller.**Integrator initial condition – Initial integrator value**

0 (default) | scalar

Value of the integrator at simulation start time.

Sample time (-1 for inherited) – Sampling interval

-1 (default) | default value or a positive number

Time interval between samples. If the block is inside a triggered subsystem, inherit the sample time by setting this parameter to -1. If this block is in a continuous variable-step model, specify the sample time explicitly. For more information, see “What Is Sample Time?” and “Specify Sample Time”.

References

[1] Åström, K. and T. Hägglund. *Advanced PID Control*. Research Triangle Park, NC: ISA, 2005.

Extended Capabilities**C/C++ Code Generation**

Generate C and C++ code using Simulink® Coder™.

See Also**Blocks**

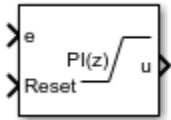
Discrete PI Controller with Integral Anti-Windup

Introduced in R2017b

Discrete PI Controller with Integral Anti-Windup

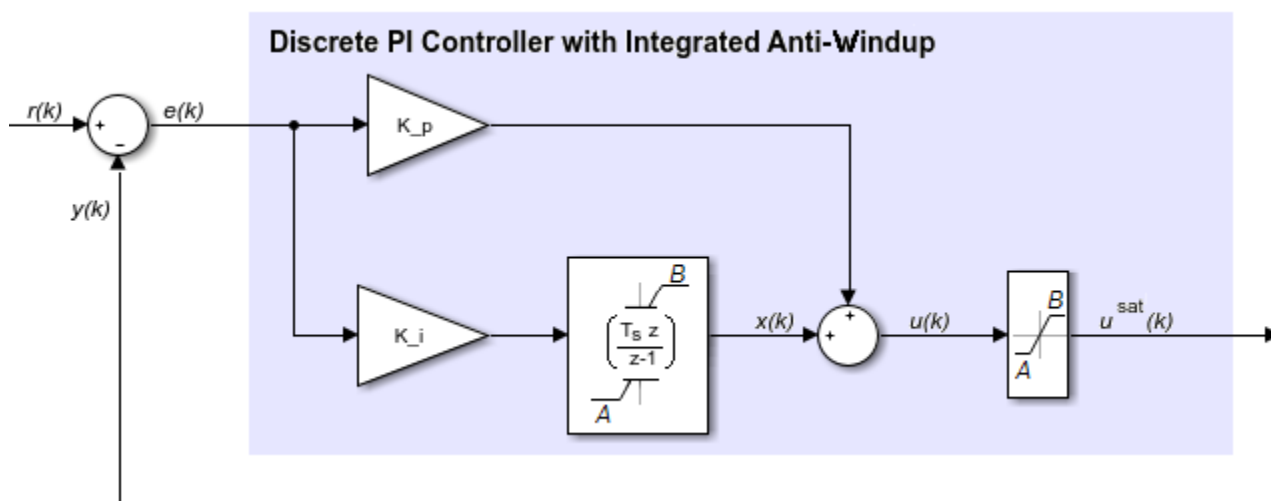
Discrete-time PI control with integral anti-windup

Library: Simscape / Electrical / Control / General Control



Description

The Discrete PI Controller with Integral Anti-Windup block implements discrete PI control with internal anti-windup. The figure shows the equivalent circuit for the controller with internal anti-windup.



Equations

The block calculates the control signal using the backward Euler discretization method:

$$u(k) = \text{sat}\left(K_p e(k) + \text{sat}\left(K_i \frac{T_s z}{z-1} e(k), A, B\right), A, B\right),$$

$$\text{sat}(x, A, B) = \min(\max(x, A), B),$$

where:

- u is the control signal.
- K_p is the proportional gain coefficient.
- e is the error signal.
- K_i is the integral gain coefficient.
- T_s is the sampling period.

- A is the lower limit for saturation.
- B is the upper limit for saturation.

Ports

Input

e – Error signal

scalar

Error signal, $e(k)$, obtained as the difference between the reference, $r(k)$, and measurement $y(k)$ signals.

Data Types: `single` | `double`

Reset – Integrator gain reset

scalar

External reset (rising edge) signal for the integrator.

Data Types: `single` | `double`

Output

u – Control signal

scalar

Control signal, $u(k)$.

Data Types: `single` | `double`

Parameters

Proportional gain – K_p

1 (default) | positive scalar

Proportional gain, K_p , of the PI controller.

Integral gain – K_i

1 (default) | positive scalar

Integral gain, K_i , of the PI controller.

Upper saturation limit – B

5 (default) | scalar greater than the value of the **Lower saturation limit** parameter

Upper limit, B , of the output for the PI controller.

Lower saturation limit – A

-5 (default) | scalar

Upper limit, A , of the output for the PI controller.

Integrator initial condition – Initial integrator value

0 (default) | scalar

Value of the integrator at simulation start time.

Sample time (-1 for inherited) – Block sample time

-1 (default) | 0 | positive scalar

Time between consecutive block executions. During execution, the block produces outputs and, if appropriate, updates its internal state. For more information, see “What Is Sample Time?” and “Specify Sample Time”.

For inherited discrete-time operation, specify -1. For discrete-time operation, specify a positive integer. For continuous-time operation, specify 0.

If this block is in a masked subsystem, or other variant subsystem that allows you to switch between continuous operation and discrete operation, promote the sample time parameter. Promoting the sample time parameter ensures correct switching between the continuous and discrete implementations of the block. For more information, see “Promote Parameter to Mask”.

References

- [1] *IEEE Recommended Practice for Excitation System Models for Power System Stability Studies*. IEEE Std 421.5/D39. Piscataway, NJ: IEEE-SA, 2015.

Extended Capabilities

C/C++ Code Generation

Generate C and C++ code using Simulink® Coder™.

See Also

Blocks

Discrete PI Controller

Topics

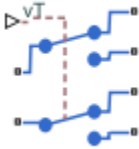
“Promote Parameter to Mask”

Introduced in R2017b

DPDT Switch

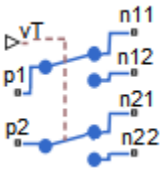
Double-pole double-throw switch

Library: Simscape / Electrical / Switches & Breakers



Description

The DPDT Switch block models a double-pole double-throw switch:



- When the switch is closed, ports **p1** and **p2** are connected to ports **n12** and **n22**, respectively.
- When the switch is open, ports **p1** and **p2** are connected to ports **n11** and **n21**, respectively.

Closed connections are modeled by a resistor with value equal to the **Closed resistance** parameter value. Open connections are modeled by a resistor with value equal to the reciprocal of the **Open conductance** parameter value.

If the **Threshold width** parameter is set to zero, the switch is closed if the voltage presented at the **vT** control port exceeds the value of the **Threshold** parameter.

If the **Threshold width** parameter is greater than zero, then switch conductance G varies smoothly between off-state and on-state values:

$$G = \frac{x}{R_{closed}} + (1 - x)G_{open}$$

$$\lambda = \frac{vT - \text{Threshold}}{\text{Threshold width}}$$

$$x = \begin{cases} 0 & \text{for } \lambda \leq 0 \\ 3\lambda^2 - 2\lambda^3 & \text{for } 0 < \lambda < 1 \\ 1 & \text{for } \lambda \geq 1 \end{cases}$$

The block uses the function $3\lambda^2 - 2\lambda^3$ because its derivative is zero for $\lambda = 0$ and $\lambda = 1$.

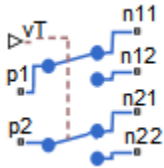
Defining a small positive **Threshold width** can help solver convergence in some models, particularly if the control port signal vT varies continuously as a function of other network variables. However,

defining a nonzero threshold width precludes the solver making use of switched linear optimizations. Therefore, if the rest of your network is switched linear, set **Threshold width** to zero.

Optionally, you can add a delay between the point at which the voltage at **vT** passes the threshold and the switch opening or closing. To enable the delay, on the **Dynamics** tab, set the **Model dynamics** parameter to Model turn-on and turn-off times.

Ports

Refer to the figure for port locations.



Input

vT — Switch control port

physical signal

Physical port associated with the signal that opens and closes the switch.

Conserving

p1 — Electrical port

electrical

Electrical conserving port.

p2 — Electrical port

electrical

Electrical conserving port.

n11 — Electrical port

electrical

Electrical conserving port.

n12 — Electrical port

electrical

Electrical conserving port.

n21 — Electrical port

electrical

Electrical conserving port.

n22 — Electrical port

electrical

Electrical conserving port.

Parameters

Main

Closed resistance — Closed resistance

0.01 Ohm (default)

Resistance between the **p** and **n** electrical ports when the switch is closed.

Open conductance — Open conductance

1e-6 S (default)

Conductance between the **p** and **n** electrical ports when the switch is open. The value must be greater than zero.

Threshold — Threshold voltage

0.5 V (default)

The threshold voltage for the control physical signal input vT above which the switch will turn on.

Threshold width — Threshold width

0 V (default)

The minimum increase in the control signal vT above the threshold value that will move the switch from fully open to fully closed.

Dynamics

Model dynamics — Model dynamics

No dynamics (default) | Model turn-on and turn-off times

Select whether the block models a switching delay:

- **No dynamics** — Do not model the delay. This is the default option.
- **Model turn-on and turn-off times** — Use additional parameters to model a delay between the point at which the voltage at vT passes the threshold and the switch opening or closing.

Turn-on delay — Turn-on delay

1e-3 (default) | positive scalar

Time between the input voltage exceeding the threshold voltage and the switch closing. The value must be greater than zero.

Dependencies

This parameter is visible only when you select **Model turn-on and turn-off times** for the **Model dynamics** parameter.

Turn-off delay — Turn-off delay

1e-3 (default) | positive scalar

Time between the input voltage falling below the threshold voltage and the switch opening. The value must be greater than zero.

Dependencies

This parameter is visible only when you select `Model` `turn-on` and `turn-off` times for the **Model dynamics** parameter.

Initial input value, vT — Initial input value, vT

0 (default)

The value of the physical signal input vT at time zero. This value is used to initialize the delayed control voltage parameter internally.

Dependencies

This parameter is visible only when you select `Model` `turn-on` and `turn-off` times for the **Model dynamics** parameter.

Extended Capabilities**C/C++ Code Generation**

Generate C and C++ code using Simulink® Coder™.

See Also

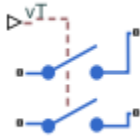
[DPST Switch](#) | [SPDT Switch](#) | [SPDT Switch \(Three-Phase\)](#) | [SPST Switch](#) | [SPST Switch \(Three-Phase\)](#)

Introduced in R2012b

DPST Switch

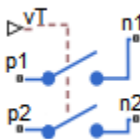
Double-pole single-throw switch

Library: Simscape / Electrical / Switches & Breakers



Description

The DPST Switch block models a double-pole single-throw switch.



When the switch is closed, ports **p1** and **p2** are connected to ports **n1** and **n2**, respectively.

Closed connections are modeled by a resistor with value equal to the **Closed resistance** parameter value. Open connections are modeled by a resistor with value equal to the reciprocal of the **Open conductance** parameter value.

If the **Threshold width** parameter is set to zero, the switch is closed if the voltage presented at the **vT** control port exceeds the value of the **Threshold** parameter.

If the **Threshold width** parameter is greater than zero, then switch conductance G varies smoothly between off-state and on-state values:

$$G = \frac{x}{R_{closed}} + (1 - x)G_{open}$$

$$\lambda = \frac{vT - \text{Threshold}}{\text{Threshold width}}$$

$$x = \begin{cases} 0 & \text{for } \lambda \leq 0 \\ 3\lambda^2 - 2\lambda^3 & \text{for } 0 < \lambda < 1 \\ 1 & \text{for } \lambda \geq 1 \end{cases}$$

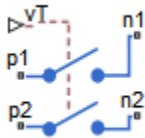
The block uses the function $3\lambda^2 - 2\lambda^3$ because its derivative is zero for $\lambda = 0$ and $\lambda = 1$.

Defining a small positive **Threshold width** can help solver convergence in some models, particularly if the control port signal vT varies continuously as a function of other network variables. However, defining a nonzero threshold width precludes the solver making use of switched linear optimizations. Therefore, if the rest of your network is switched linear, set **Threshold width** to zero.

Optionally, you can add a delay between the point at which the voltage at **vT** passes the threshold and the switch opening or closing. To enable the delay, on the **Dynamics** tab, set the **Model dynamics** parameter to **Model turn-on and turn-off times**.

Ports

Refer to the figure for port locations.



Input

vT — Switch control port

physical signal

Physical port associated with the signal that opens and closes the switch.

Conserving

p1 — Electrical port

electrical

Electrical conserving port.

p2 — Electrical port

electrical

Electrical conserving port.

n1 — Electrical port

electrical

Electrical conserving port.

n2 — Electrical port

electrical

Electrical conserving port.

Parameters

Main

Closed resistance — Closed resistance

0.01 Ohm (default)

Resistance between the **p** and **n** electrical ports when the switch is closed.

Open conductance — Open conductance

1e-6 S (default)

Conductance between the **p** and **n** electrical ports when the switch is open. The value must be greater than zero.

Threshold — Threshold voltage

0.5 V (default)

The threshold voltage for the control physical signal input vT above which the switch will turn on.

Threshold width — Threshold width

0 V (default)

The minimum increase in the control signal vT above the threshold value that will move the switch from fully open to fully closed.

Dynamics**Model dynamics — Model dynamics**

No dynamics (default) | Model turn-on and turn-off times

Select whether the block models a switching delay:

- **No dynamics** — Do not model the delay. This is the default option.
- **Model turn-on and turn-off times** — Use additional parameters to model a delay between the point at which the voltage at vT passes the threshold and the switch opening or closing.

Turn-on delay — Turn-on delay

1e-3 (default) | positive scalar

Time between the input voltage exceeding the threshold voltage and the switch closing. The value must be greater than zero.

Dependencies

This parameter is visible only when you select **Model turn-on and turn-off times** for the **Model dynamics** parameter.

Turn-off delay — Turn-off delay

1e-3 (default) | positive scalar

Time between the input voltage falling below the threshold voltage and the switch opening. The value must be greater than zero.

Dependencies

This parameter is visible only when you select **Model turn-on and turn-off times** for the **Model dynamics** parameter.

Initial input value, vT — Initial input value, vT

0 (default)

The value of the physical signal input vT at time zero. This value is used to initialize the delayed control voltage parameter internally.

Dependencies

This parameter is visible only when you select `Model` `turn-on` and `turn-off` times for the **Model dynamics** parameter.

Extended Capabilities**C/C++ Code Generation**

Generate C and C++ code using Simulink® Coder™.

See Also

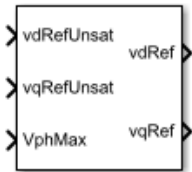
[DPDT Switch](#) | [SPDT Switch](#) | [SPDT Switch \(Three-Phase\)](#) | [SPST Switch](#) | [SPST Switch \(Three-Phase\)](#)

Introduced in R2012b

d-q Voltage Limiter

Limit voltage in the rotor direct-quadrature reference frame

Library: Simscape / Electrical / Control / Protection

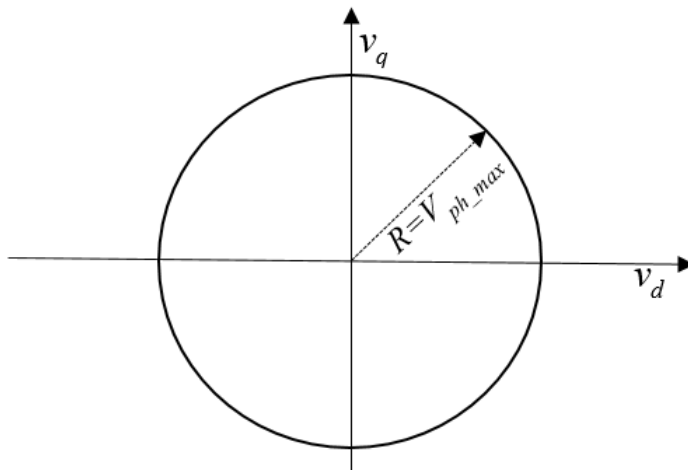


Description

The d-q Voltage Limiter block implements a voltage limiter in the rotor direct-quadrature (d - q) reference frame.

Equations

The figure shows the circle that limits the d - q voltage vector.



That is,

$$\sqrt{v_d^2 + v_q^2} \leq V_{ph_max}$$

where:

- v_d is the d -axis voltage.
- v_q is the q -axis voltage.
- V_{ph_max} is the maximum phase voltage.

Three cases of voltage limiting are possible:

- d -axis prioritization
- q -axis prioritization
- d - q equivalence

If one axis is prioritized over the other axis, the constrained or saturated voltages are defined as

$$v_1^{sat} = \min(\max(v_1^{unsat}, -V_{ph_max}), V_{ph_max})$$

and

$$v_2^{sat} = \min(\max(v_2^{unsat}, -V_{2_max}), V_{2_max}),$$

where:

- $v_{2_max} = \sqrt{(V_{ph_max})^2 - (v_1^{sat})^2}$
- v_1 is voltage of the prioritized axis.
- v_2 is voltage of the nonprioritized axis.

If neither axis is prioritized, the constrained voltages are defined as

$$v_d^{sat} = \min(\max(v_d^{unsat}, -V_{d_max}), V_{d_max})$$

and

$$v_q^{sat} = \min(\max(v_q^{unsat}, -V_{q_max}), V_{q_max}),$$

where:

- $V_{d_max} = \frac{V_{ph_max}|v_d^{unsat}|}{\sqrt{(v_d^{unsat})^2 + (v_q^{unsat})^2}}$
- $V_{q_max} = \frac{V_{ph_max}|v_q^{unsat}|}{\sqrt{(v_d^{unsat})^2 + (v_q^{unsat})^2}}$

Ports

Input

vdRefUnsatsat — v_d^{unsat}

scalar

Unsaturated direct-axis reference voltage.

Example: Example

Data Types: single | double

vqRefUnsatsat — v_q^{unsat}

scalar

Unsaturated quadrature-axis reference voltage.

Example: Example

Data Types: single | double

VphMax — V_{ph_max}

scalar

Maximum phase voltage.

Data Types: single | double

Output

vdRef — v_d^{sat}

scalar

Saturated direct-axis reference voltage.

Data Types: single | double

vqRef — v_q^{sat}

scalar

Saturated quadrature-axis reference voltage.

Example: Example

Data Types: single | double

Parameters

Axis prioritization — Prioritize the *d*- or *q* axis

Q-axis (default) | D-axis | D-Q equivalence

Prioritize the direct-axis, the quadrature-axis, or neither axis.

Sample time (-1 for inherited) — Sampling interval

-1 (default) | default value or a positive number

Time interval between samples. If the block is inside a triggered subsystem, inherit the sample time by setting this parameter to -1. If this block is in a continuous variable-step model, specify the sample time explicitly. For more information, see “What Is Sample Time?” and “Specify Sample Time”.

Extended Capabilities

C/C++ Code Generation

Generate C and C++ code using Simulink® Coder™.

See Also

Simscape Blocks

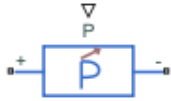
Voltage Source

Introduced in R2017b

Dynamic Load

Dynamic load for DC or AC supply

Library: Simscape / Electrical / Passive



Description

The Dynamic Load block implements a dynamic load for a DC or AC supply.

If you set the **Load type** parameter to DC:

- The consumed power of the block is equal to the **P** port as long as it is greater than the value of the **Minimum consumed power** parameter and the voltage from the DC supply is equal to or greater than the value specified for the **Minimum supply voltage** parameter.
- When the voltage from the DC supply drops below the **Minimum supply voltage**, the load behaviour changes and the block acts as a resistive load. If the supply voltage becomes negative, the block acts as an open circuit conductance.

To ensure smooth transitions between these behaviours, the block uses a third-order polynomial spline with continuous derivatives. You can specify the width of this transition using the **Transition voltage width** parameter.

If you set the **Load type** parameter to AC, this table shows the relationship between the voltage from the AC supply, V , the active power at the **P** port, P_{in} , and the consumed active power of the block, P_{actual} :

Applicable Range of V Values	Applicable Range of P_{in} Values	Corresponding Consumed Active Power
$V > V_{min}$	$P_{in} > P_{min}$	$P_{actual} = P_{in}$
	$P_{in} < P_{min}$	$P_{actual} = P_{min}$
$V < V_{min}$	$P_{in} > P_{min}$	The block models a load with an impedance equal to: $R = V_{min}^2 \frac{P_{actual}}{P_{actual}^2 + Q_{actual}^2}$ $X = V_{min}^2 \frac{Q_{actual}}{P_{actual}^2 + Q_{actual}^2}$ $Z = \sqrt{R^2 + X^2}$
	$P_{in} < P_{min}$	$P_{actual} = P_{min}$

Where:

- V_{min} is the value of the “Minimum supply voltage (RMS)” on page 1-0 parameter.
- P_{min} is the value of the “Minimum active power” on page 1-0 parameter.
- P_{actual} is the consumed active power of the Dynamic Load block.
- Q_{actual} is the consumed reactive power of the Dynamic Load block.

The consumed reactive power of the block is equal to the **Q** port as long as the voltage from the AC supply is equal to or greater than the value specified for the **Minimum supply voltage (RMS)** parameter. Otherwise, the block models a load with an impedance equal to:

$$R = V_{min}^2 \frac{P_{actual}}{P_{actual}^2 + Q_{actual}^2}$$

$$X = V_{min}^2 \frac{Q_{actual}}{P_{actual}^2 + Q_{actual}^2}$$

$$Z = \sqrt{R^2 + X^2}$$

.

Faults

The Dynamic Load block allows you to model an electrical fault as an open circuit. The block can trigger fault events at a specific time.

You can also choose whether to issue an assertion when a fault occurs by using the **Reporting when a fault occurs** parameter. The assertion can take the form of a warning or an error. By default, the block does not issue an assertion.

Load-Flow Analysis

If the block is in a network that is compatible with the frequency-time simulation mode, you can perform a load-flow analysis on the network. A load-flow analysis provides steady-state values that you can use to initialize a machine.

For more information, see “Perform a Load-Flow Analysis Using Simscape Electrical” and “Frequency and Time Simulation Mode”.

Ports

Input

P — Real power

physical signal

Physical signal port associated with real power, specified as a scalar.

Q — Reactive power

physical signal

Physical signal port associated with reactive power, specified as a scalar.

Conserving

+ — Positive terminal

electrical

Electrical conserving port associated with the dynamic load positive terminal.

- – Negative terminal

electrical

Electrical conserving port associated with the dynamic load negative terminal.

Parameters

Main

Load type – Load type

DC (default) | AC

Type of load. Select DC to use this load with a DC supply or AC to use this load with an AC supply.

Minimum supply voltage – Minimum DC supply voltage

20 V (default) | scalar

Minimum voltage the DC supply needs to give the block to act as a constant power load.

Dependencies

To enable this parameter, set **Load Type** to DC.

Minimum consumed power – Minimum consumed power

1e-3 W (default) | scalar

Minimum amount of power consumed by the block.

Dependencies

To enable this parameter, set **Load Type** to DC.

Reverse conductance – Reverse conductance

1e-6 S (default) | scalar

Value of the reverse conductance when the supply voltage becomes negative.

Dependencies

To enable this parameter, set **Load Type** to DC.

Transition voltage width – Transition voltage width

1e-3 V (default) | scalar

Transition voltage width. This value is used to ensure smooth transitions between the block's behaviours when the supply voltage drops below the **Minimum supply voltage** or becomes negative.

Dependencies

To enable this parameter, set **Load Type** to DC.

Rated frequency – Rated frequency

60 Hz (default) | scalar

Rated frequency.

Dependencies

To enable this parameter, set **Load Type** to AC.

Minimum supply voltage (RMS) – Minimum AC supply voltage

200 V (default) | scalar

Minimum voltage, in RMS, that the AC supply needs to give the block to act as a dynamic load.

Dependencies

To enable this parameter, set **Load Type** to AC.

Minimum active power – Minimum active power

1e-3 W (default) | scalar

Minimum active power of the block.

Dependencies

To enable this parameter, set **Load Type** to AC.

Faults

Enable open circuit fault – Whether to enable fault modeling

No (default) | Yes

Select **Yes** to enable fault modeling and expose the associated parameters in the **Faults** section, which enables you to select the reporting method and specify the time at which the fault triggers.

Reporting when a fault occurs – Whether to issue assertion when fault occurs

None (default) | Warn | Error

Choose whether to issue an assertion when a fault occurs:

- **None** — The block does not issue an assertion.
- **Warn** — The block issues a warning.
- **Error** — Simulation stops with an error.

Dependencies

To enable this parameter, set **Enable open circuit fault** to Yes.

Time at which fault is triggered – Time before entering faulted state

1 s (default) | scalar

Simulation time when the block enters the faulted state.

Dependencies

To enable this parameter, set **Enable open circuit fault** to Yes.

Open-circuit conductance – Open-circuit conductance

1e-4 S (default) | scalar

Conductance during the open-circuit state.

Dependencies

To enable this parameter, set **Enable open circuit fault** to Yes.

Extended Capabilities

C/C++ Code Generation

Generate C and C++ code using Simulink® Coder™.

See Also

Dynamic Load (Three-Phase)

Topics

“Perform a Load-Flow Analysis Using Simscape Electrical”
“Frequency and Time Simulation Mode”

Introduced in R2020b

Dynamic Load (Three-Phase)

Balanced three-phase dynamic load

Library: Simscape / Electrical / Passive



Description

The Dynamic Load (Three-Phase) block models a balanced dynamic load for balanced three-phase supplies.

This table shows the relationship between the voltage from the supply, V , the active power at the **P** port, P_{in} , and the consumed active power of the block, P_{actual} .

Applicable Range of V Values	Applicable Range of P_{in} Values	Corresponding Consumed Active Power
$V > V_{min}$	$P_{in} > P_{min}$	$P_{actual} = P_{in}$
	$P_{in} < P_{min}$	$P_{actual} = P_{min}$
$V < V_{min}$	$P_{in} > P_{min}$	The block models a load with an impedance equal to: $R = V_{min}^2 \frac{P_{actual}}{P_{actual}^2 + Q_{actual}^2}$ $X = V_{min}^2 \frac{Q_{actual}}{P_{actual}^2 + Q_{actual}^2}$ $Z = \sqrt{R^2 + X^2}$
	$P_{in} < P_{min}$	$P_{actual} = P_{min}$

Where:

- V_{min} is the value of the “Minimum supply voltage (phase-to-phase RMS)” on page 1-0 parameter.
- P_{min} is the value of the “Minimum active power” on page 1-0 parameter.
- P_{actual} is the consumed active power of the Dynamic Load (Three-Phase) block.
- Q_{actual} is the consumed reactive power of the Dynamic Load (Three-Phase) block.

The consumed reactive power of the block is equal to the **Q** port as long as the voltage from the supply is equal to or greater than the value specified for the **Minimum supply voltage (phase-to-phase RMS)** parameter. Otherwise, the block models a load with an impedance equal to:

$$R = V_{\min}^2 \frac{P_{\text{actual}}}{P_{\text{actual}}^2 + Q_{\text{actual}}^2}$$

$$X = V_{\min}^2 \frac{Q_{\text{actual}}}{P_{\text{actual}}^2 + Q_{\text{actual}}^2}$$

$$Z = \sqrt{R^2 + X^2}$$

Faults

The Dynamic Load (Three-Phase) block allows you to model an electrical fault as an open circuit. The block can trigger fault events at a specific time.

You can also choose whether to issue an assertion when a fault occurs by using the **Reporting when a fault occurs** parameter. The assertion can take the form of a warning or an error. By default, the block does not issue an assertion.

Load-Flow Analysis

If the block is in a network that is compatible with the frequency-time simulation mode, you can perform a load-flow analysis on the network. A load-flow analysis provides steady-state values that you can use to initialize a machine.

For more information, see “Perform a Load-Flow Analysis Using Simscape Electrical” and “Frequency and Time Simulation Mode”.

Ports

Input

P — Real power

physical signal

Physical signal port associated with real power, specified as a scalar.

Q — Reactive power

physical signal

Physical signal port associated with reactive power, specified as a scalar.

Conserving

~ — Three-phase voltage

electrical

Expandable electrical conserving port associated with the three-phase voltage.

Parameters

Main

Minimum supply voltage (phase-to-phase RMS) — Minimum supply voltage

100 V (default) | scalar

Minimum voltage, in phase-to-phase RMS, that the supply needs to give the block so that it acts as a dynamic load.

Minimum active power — Minimum active power

1e-3 W (default) | scalar

Minimum active power.

Faults

Enable open circuit fault — Whether to enable fault modeling

No (default) | Yes

Select **Yes** to enable fault modeling and expose the associated parameters in the **Faults** section, which enables you to select the reporting method and specify the time at which the fault triggers.

Reporting when a fault occurs — Whether to issue assertion when fault occurs

None (default) | Warn | Error

Choose whether to issue an assertion when a fault occurs:

- **None** — The block does not issue an assertion.
- **Warn** — The block issues a warning.
- **Error** — Simulation stops with an error.

Dependencies

To enable this parameter, set **Enable open circuit fault** to **Yes**.

Time at which fault is triggered — Time before entering faulted state

1 s (default) | scalar

Simulation time when the block enters the faulted state.

Dependencies

To enable this parameter, set **Enable open circuit fault** to **Yes**.

Open-circuit conductance — Open-circuit conductance

1e-4 S (default) | scalar

Conductance during the open-circuit state.

Dependencies

To enable this parameter, set **Enable open circuit fault** to **Yes**.

Compatibility Considerations

Library Path Change

Behavior changed in R2020b

The Dynamic Load (Three-Phase) block has been moved from the **Simscape > Electrical > Passive > RLC Assemblies** library to the **Simscape > Electrical > Passive** library.

If you have a script that depends on the library path or the Simscape component path of this block, you need to update it to reflect these changes.

Extended Capabilities

C/C++ Code Generation

Generate C and C++ code using Simulink® Coder™.

See Also

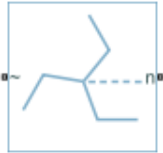
[Delta-Connected Load](#) | [Wye-Connected Variable Load](#) | [Wye-Connected Variable Load \(lagging\)](#)

Introduced in R2019a

Earthing Transformer

Three-phase earthing transformer in zigzag configuration

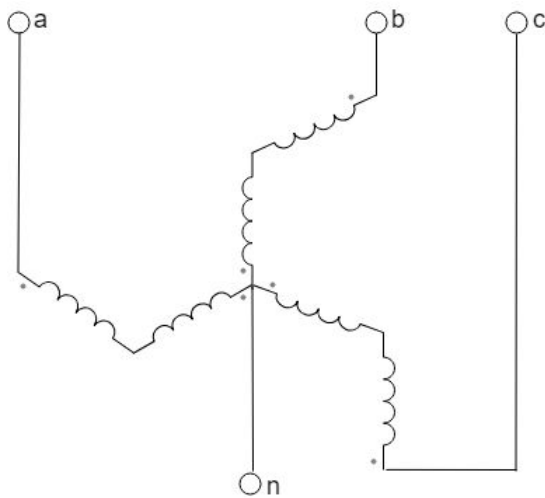
Library: Simscape / Electrical / Passive / Transformers



Description

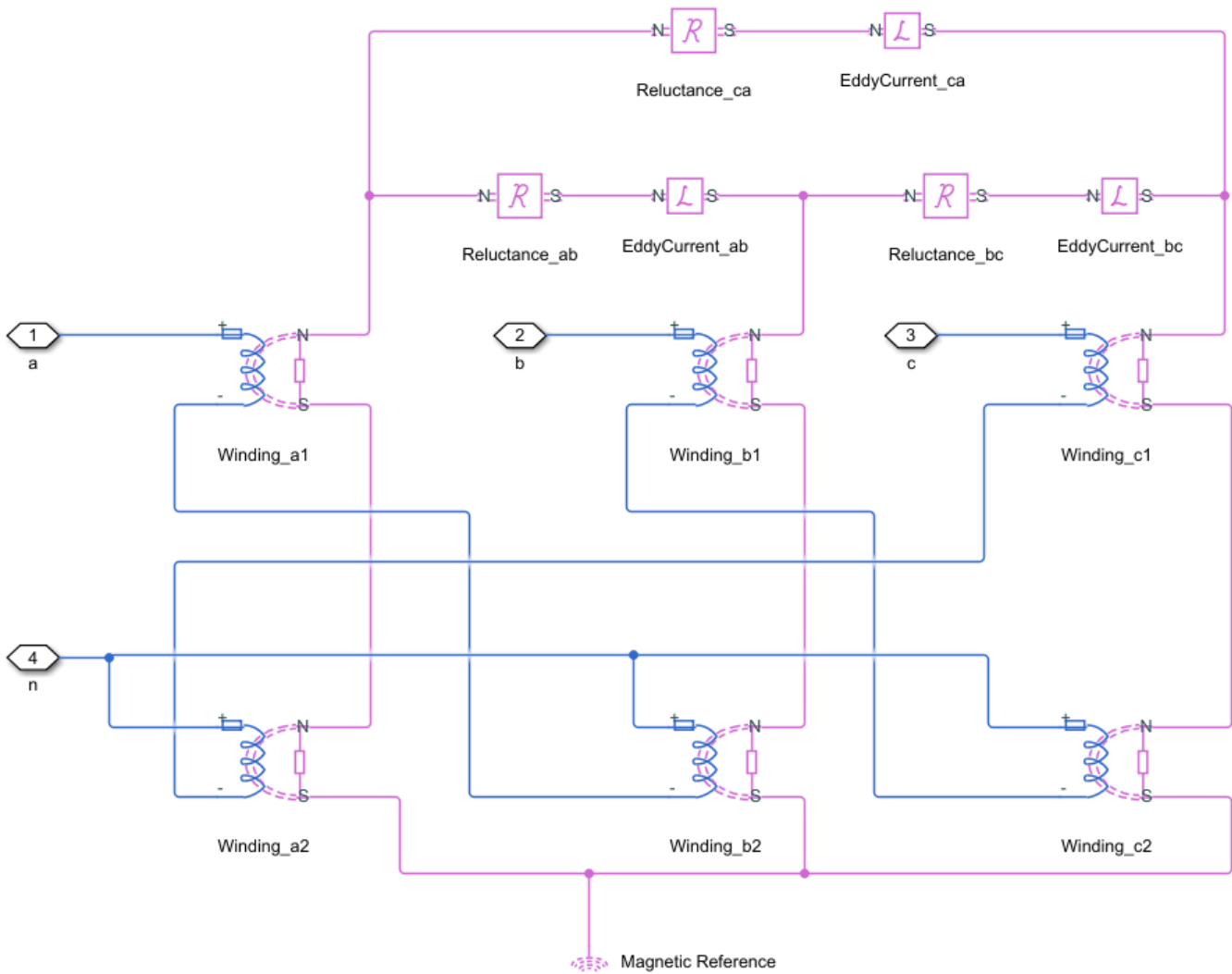
The Earthing Transformer block models a three-phase zigzag-connection earthing or grounding transformer. The block allows you to provide an artificial neutral in an ungrounded three-phase power system. The artificial neutral creates a low-impedance path for the zero-sequence current and high-impedance path for the positive-sequence current. To accommodate a phase-to-neutral load, the return path allows a delta-connected supply.

For more information on using a three-phase zigzag-connection earthing or grounding transformer, see “Engineering Applications” on page 1-421



Equations

This block is implemented in both electrical and magnetic domains, representing the physics of phase windings and magnetic core. The equivalent circuit for the block includes windings, reluctances, and eddy currents.



For a zigzag configuration in magnetic circuit, the a -, b -, and c -phases represent each leg of the magnetic core.

You can obtain the relationship between the electrical and the magnetic properties by applying several mathematical steps based on the magnetic flux conservation rule and on the Hopkinson's law.

For earthing transformers, the couplings between the phases and all the windings are identical. In the equations below:

- n is the number of turns of the winding.
- R is the magnetizing reluctance between phases.
- R_L is the leakage reluctance.
- L_{eddy} is the magnetic inductance due to eddy current losses between phases.

Then the relationship between the inductance matrix in electrical domain and the reluctance matrix in the magnetic domain can be written as:

$$L = \begin{bmatrix} L_{11} & L_{12} & L_{13} \\ L_{21} & L_{22} & L_{23} \\ L_{31} & L_{32} & L_{33} \end{bmatrix} = \begin{bmatrix} n^2\left(\frac{2}{Rl} + \frac{6}{R}\right) & -3\frac{n^2}{R} & -3\frac{n^2}{R} \\ -3\frac{n^2}{R} & n^2\left(\frac{2}{Rl} + \frac{6}{R}\right) & -3\frac{n^2}{R} \\ -3\frac{n^2}{R} & -3\frac{n^2}{R} & n^2\left(\frac{2}{Rl} + \frac{6}{R}\right) \end{bmatrix}$$

The diagonal elements represent the sum of a leakage and magnetizing inductance for each phase, such that:

$$L_l = \frac{2n^2}{Rl}$$

Therefore:

$$R_L = \frac{2n^2}{L_l}$$

$$R = \frac{9n^2}{L_m}$$

$$L_{eddy} = \frac{9n^2}{R_m}$$

Ports

Conserving

~ – Three-phase voltage

electrical

Expandable three-phase electrical conserving port associated with three-phase voltage.

n – Neutral

electrical

Electrical conserving port associated with the neutral point.

Parameters

Rated apparent power – Rated apparent power

100e6 V*A (default) | positive scalar

Rated apparent power in SI units. The value must be greater than 0.

Rated voltage – Rated voltage

24e3 V (default) | positive scalar

Rated voltage in SI units. The value must be greater than 0.

Rated electrical frequency – Rated electrical frequency

60 Hz (default) | positive scalar

Rated electrical frequency in SI units. The value must be greater than 0.

Units — Parameterization unit system

Per unit (default) | SI

System of units for impedance parameterization.

Dependencies

The visibility of other parameters depends on the value of this parameter.

Zero-sequence resistance (pu) — Zero-sequence resistance

0.01 (default) | positive scalar

Per-unit zero-sequence resistance. The value must be greater than 0.

Dependencies

This parameter is only visible when the **Units** parameter is set to Per unit.

Zero-sequence reactance (pu) — Zero-sequence reactance

0.3 (default) | positive scalar

Per-unit zero-sequence reactance. The value must be greater than 0.

Dependencies

This parameter is only visible when the **Units** parameter is set to Per unit.

Shunt magnetizing resistance (pu) — Shunt magnetizing resistance

500 (default) | positive scalar

Per-unit shunt magnetizing resistance. The value must be greater than 0.

Dependencies

This parameter is only visible when the **Units** parameter is set to Per unit.

Shunt magnetizing reactance (pu) — Shunt magnetizing reactance

500 (default) | positive scalar

Per-unit shunt magnetizing reactance. The value must be greater than 0.

Dependencies

This parameter is only visible when the **Units** parameter is set to Per unit.

Zero-sequence resistance — Zero-sequence resistance

0.0576 Ohm (default) | positive scalar

Zero-sequence resistance in SI units. The value must be greater than 0.

Dependencies

This parameter is only visible when the **Units** parameter is set to SI.

Zero-sequence inductance — Zero-sequence inductance

1.728 H (default) | positive scalar

Zero-sequence inductance in SI units. The value must be greater than 0.

Dependencies

This parameter is only visible when the **Units** parameter is set to SI.

Shunt magnetizing resistance — Shunt magnetizing resistance

2880 Ohm (default) | positive scalar

Shunt magnetizing resistance in SI units. The value must be greater than 0.

Dependencies

This parameter is only visible when the **Units** parameter is set to SI.

Shunt magnetizing inductance — Shunt magnetizing inductance

2880 H (default) | positive scalar

Shunt magnetizing inductance in SI units. The value must be greater than 0.

Dependencies

This parameter is only visible when the **Units** parameter is set to SI.

More About

Engineering Applications

To facilitate grounding and detection of an earth fault, earthing transformers provide a ground path to either an ungrounded "Y" or a delta-connected system. They are typically used to:

- Provide a relatively low impedance path to ground, thereby maintaining the system neutral at or near ground potential.
- Limit the magnitude of transient overvoltages when re-striking ground faults occur.
- Provide a source of ground fault current during line-to-ground faults.
- Permit the connection of phase-to-neutral loads when desired.

Extended Capabilities

C/C++ Code Generation

Generate C and C++ code using Simulink® Coder™.

See Also

Ideal Transformer | Nonlinear Transformer | Tap-Changing Transformer | Three-Winding Transformer (Three-Phase) | Two-Winding Transformer (Three-Phase) | Zigzag-Delta-Wye Transformer

Introduced in R2019a

Eddy Current

Eddy current loss representation

Library: Simscape / Electrical / Passive



Description

The Eddy Current block models the effect of eddy currents by generating a magnetomotive force (MMF) that opposes changes in the magnetic flux. In addition, the block models parasitic effects using a series reluctance and a parallel leakage permeance.

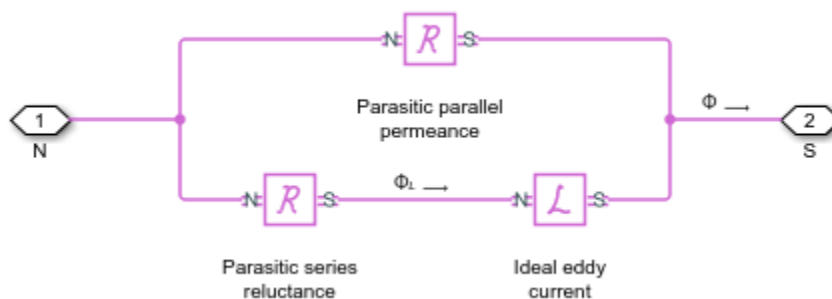
Eddy currents in magnetic core materials are caused by time-varying magnetic fields. These changing field densities induce voltage potentials within the material, causing current to flow in closed loops. Such currents are usually undesired and cause heating of the magnetic material.

Use this block to add eddy current losses in the magnetic domain to a custom transformer or other magnetic component.

The eddy current component is sometimes referred to as magnetic inductance because it is the magnetic-domain analog to an inductor in the electrical domain.

Equations

This is the equivalent magnetic circuit for the block, including the eddy current path (bottom) and parallel leakage path (top).



In the diagram:

- Φ is the total flux at the terminals. This flux is the summation of the eddy current loop and the parallel leakage path.
- Φ_L is the flux through the eddy current loop.

The block calculates the terminal MMF, \mathcal{F} , and flux, Φ , as:

$$\mathcal{F} = G_{\text{eddy}} \frac{d\Phi_L}{dt} + \mathcal{R}\Phi_L$$

$$\Phi = \mathcal{F}P + \Phi_L$$

where:

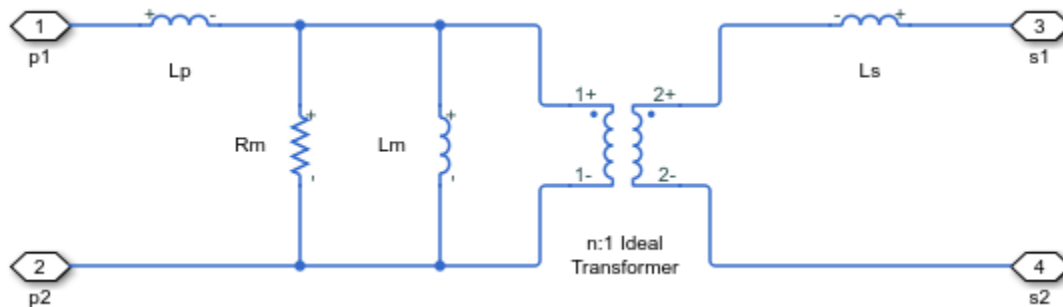
- G_{eddy} is the conductance of the eddy current loop.
- \mathcal{R} is the parasitic series reluctance of the eddy current path.
- P is the parallel permeance.

Because the parasitic series reluctance and parallel permeance are lossless, the total dissipated power over the block is:

$$P_{\text{diss}} = G_{\text{eddy}} \left(\frac{d\Phi_L}{dt} \right)^2$$

Relating Transformer Electrical and Magnetic Models

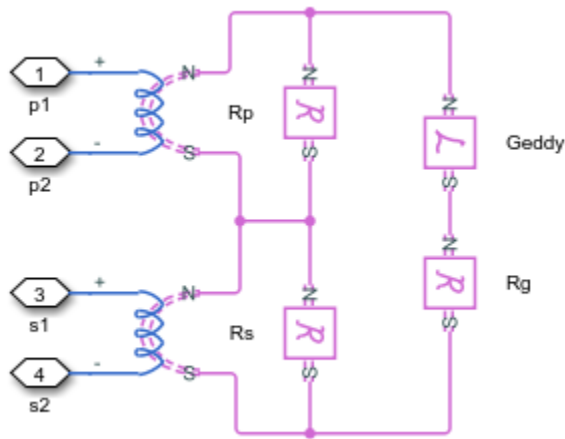
In the electrical domain, eddy current losses are modeled using a parallel resistance across the primary winding. This is the equivalent circuit for a nonideal two-winding transformer.



In the diagram:

- L_p and L_s are the self-inductances of the primary and secondary windings, respectively.
- L_m is the mutual inductance between the two windings.
- R_m is the mutual resistance between the two windings, caused by the eddy current losses.

This two-winding transformer can similarly be represented in the magnetic domain. This is the equivalent circuit.



In the diagram:

- \mathcal{R}_p and \mathcal{R}_s are the reluctances associated with the primary and secondary windings, respectively.
- \mathcal{R}_g is the reluctance associated with the magnetic coupling of the two windings.
- n is the turns ratio between the two windings.

The electrical- and magnetic-domain circuits are equivalent if:

$$\mathcal{R}_g = \frac{n^2}{L_m}$$

$$\mathcal{R}_p = \frac{n^2}{L_p}$$

$$\mathcal{R}_s = \frac{1}{L_s}$$

$$G_{\text{eddy}} = \frac{n^2}{R_m}$$

You can use these relationships to calculate the equivalent two-winding transformer properties for one domain from the other.

Ports

Conserving

N – North terminal

magnetic

Magnetic conserving port associated with the north terminal of the block.

S – South terminal

magnetic

Magnetic conserving port associated with the south terminal of the block.

Parameters

Conductance of eddy current loop — Eddy current conductance

1 1/Ohm (default) | positive number

Conductance, G_{eddy} , of the eddy current loop. This component is the magnetic-domain analog of inductance in the electrical domain.

Parasitic series reluctance — Series reluctance

1e-3 1/H (default) | nonnegative number

Parasitic reluctance, \mathcal{R} , of the eddy current loop.

Parasitic parallel permeance — Parallel leakage permeance

1e-6 H (default) | nonnegative number

Parasitic permeance, P , of the parallel leakage path. To aid simulation convergence in some circuit topologies, set this parameter to a small value.

References

- [1] Brown, A. D., J. N. Ross, and K. G. Nichols. "Time-domain simulation of mixed nonlinear magnetic and electronic systems." *IEEE Transactions on Magnetics*. Vol. 37, Number 1, 2001, pp. 522-532.

Extended Capabilities

C/C++ Code Generation

Generate C and C++ code using Simulink® Coder™.

See Also

Mutual Inductor | Nonlinear Transformer

Introduced in R2018a

Environment Parameters

Set parameters that apply to all connected SPICE-compatible blocks

Library: Simscape / Electrical / Utilities



Description

The Environment Parameters block lets you set parameters that apply to all SPICE-compatible blocks in an electrical network:

- Circuit temperature
- Minimum conductance

If your model does not contain an Environment Parameters block, all blocks use the default values of these parameters. To override the default values, connect every network in the system to an Environment Parameters block.

Note The simple semiconductor models in the Semiconductors sublibrary are not temperature dependent, so the Environment Parameters block only changes the minimum conductance parameter used by the exponential diode and bipolar transistor models.

Ports

Conserving

OUT — Output port

electrical

Electrical conserving port associated with the environment parameters output

Parameters

Temperature — SPICE temperature

300.15 K (default)

The temperature of the connected SPICE-compatible blocks.

GMIN — Minimum conductance

1e-12 1/Ohm (default)

The minimum conductance for applicable connected SPICE-compatible blocks.

Extended Capabilities

C/C++ Code Generation

Generate C and C++ code using Simulink® Coder™.

See Also

Simscape Blocks

Piecewise Linear Current Source | Piecewise Linear Voltage Source | Pulse Current Source | Pulse Voltage Source

Functions

subcircuit2ssc

Topics

“Additional Parameterization Workflows”

“Converting a SPICE Netlist to Simscape Blocks”

“Parameterize an Exponential Diode from SPICE Netlist”

Introduced in R2008a

Exponential Current Source

Exponential pulse current source

Library: Simscape / Electrical / Additional Components / SPICE Sources



Description

The Exponential Current Source block represents a current source whose output current value is an exponential pulse as a function of time and is independent of the voltage across the terminals of the source. The following equations describe the current through the source as a function of time:

$$I_{out}(0 \leq \text{Time} \leq \text{TDR}) = I1$$

$$I_{out}(\text{TDR} < \text{Time} \leq \text{TDF}) = I1 + (I2 - I1) * (1 - e^{-(\text{Time} - \text{TDR})/\text{TR}})$$

$$I_{out}(\text{TDF} < \text{Time}) = I1 + (I2 - I1) * (e^{-(\text{Time} - \text{TDF})/\text{TF}} - e^{-(\text{Time} - \text{TDR})/\text{TR}})$$

where:

- *I1* is the **Initial value**, **I1** parameter value.
- *I2* is the **Pulse value**, **I2** parameter value.
- *TDR* is the **Rise delay time**, **TDR** parameter value.
- *TR* is the **Rise time**, **TR** parameter value.
- *TDF* is the **Fall delay time**, **TDF** parameter value.
- *TF* is the **Fall time**, **TF** parameter value.

The block uses a small conductance internally to prevent numerical simulation issues. The conductance connects the + and - ports of the device and has a conductance *GMIN*:

- By default, *GMIN* matches the **GMIN** parameter of the Environment Parameters block, whose default value is $1e-12$.
- To change *GMIN*, add an Environment Parameters block to your model and set the **GMIN** parameter to the desired value.

Ports

Conserving

+ – Positive voltage

electrical

Electrical conserving port associated with the DC current source positive voltage

- — Negative voltage

electrical

Electrical conserving port associated with the DC current source negative voltage

Parameters**Initial value, I1 — Output current initial value**

0 A (default)

Value of the output current at time zero, in A.

Pulse value, I2 — Output current asymptotic value

0 A (default)

Asymptotic value of the output current when the output is high, in A.

Rise delay time, TDR — Rise delay time

0 s (default)

Rise time delay, in s.

Rise time, TR — Rise time

1e-9 s (default) | positive scalar

Time it takes the output current to rise from the **Initial Value, I1** value to the **Pulse Value, I2** value.

Fall delay time, TDF — Fall delay time

0 s (default)

Fall time delay. The default value is 0s, which differs from the SPICE default value.

Fall time, TF — Fall time

1e-9 s (default) | positive scalar

Time it takes the output current to fall from the **Pulse value, I2** value to the **Initial value, I1** value.

Include parallel conductance, GMIN — Whether to include parallel conductance

Yes (default) | No

Specify if the current source includes a parallel conductance. The value of the parallel conductance, *GMIN*, depends on whether your model contains an Environment Parameters block.

This table shows the possible values of the parallel conductance, *GMIN*:

Values of parallel conductance, GMIN

Include parallel conductance, GMIN		
Yes		No
Model contains Environment Parameters block	Model does not contain Environment Parameters block	Parallel conductance, <i>GMIN</i> , is not included and it does not affect the current source.
<i>GMIN</i> is equal to the value of the GMIN parameter in the Environment Parameters block.	<i>GMIN</i> = 1e-12 Ohm	

Extended Capabilities

C/C++ Code Generation

Generate C and C++ code using Simulink® Coder™.

See Also

Simscape Blocks

Environment Parameters | Exponential Voltage Source

Functions

subcircuit2ssc

Topics

- “Additional Parameterization Workflows”
- “Converting a SPICE Netlist to Simscape Blocks”
- “Parameterize an Exponential Diode from SPICE Netlist”

Introduced in R2008a

Exponential Voltage Source

Exponential pulse voltage source

Library: Simscape / Electrical / Additional Components / SPICE Sources



Description

The Exponential Voltage Source block represents a voltage source whose output voltage value is an exponential pulse as a function of time and is independent of the current through the source. The following equations describe the output current as a function of time:

$$V_{out}(0 \leq Time \leq TDR) = V1$$

$$V_{out}(TDR < Time \leq TDF) = V1 + (V2 - V1) * (1 - e^{-(Time - TDR)/TR})$$

$$V_{out}(TDF < Time) = V1 + (V2 - V1) * (e^{-(Time - TDF)/TF} - e^{-(Time - TDR)/TR})$$

where:

- $V1$ is the **Initial value**, **V1** parameter value.
- $V2$ is the **Pulse value**, **V2** parameter value.
- TDR is the **Rise delay time**, **TDR** parameter value.
- TR is the **Rise time**, **TR** parameter value.
- TDF is the **Fall delay time**, **TDF** parameter value.
- TF is the **Fall time**, **TF** parameter value.

Ports

Conserving

+ – Positive voltage

electrical

Electrical conserving port associated with the DC current source positive voltage

- – Negative voltage

electrical

Electrical conserving port associated with the DC current source negative voltage

Parameters

Initial value, V1 – Output voltage initial value

0 V (default)

Value of the output voltage at time zero, in V.

Pulse value, V2 — Output voltage asymptotic value

0 V (default)

Asymptotic value of the output voltage when the output is high, in V.

Rise delay time, TDR — Rise delay time

0 s (default)

Rise time delay, in s.

Rise time, TR — Rise time

1e-9 s (default) | positive scalar

Time it takes the output current to rise from the **Initial Value, V1** value to the **Pulse Value, V2** value.

Fall delay time, TDF — Fall delay time

0 s (default)

Fall time delay.

Fall time, TF — Fall time

1e-9 s (default) | positive scalar

Time it takes the output current to fall from the **Pulse value, V2** value to the **Initial value, V1** value.

Extended Capabilities

C/C++ Code Generation

Generate C and C++ code using Simulink® Coder™.

See Also

Simscape Blocks

Environment Parameters | Exponential Current Source

Functions

subcircuit2ssc

Topics

“Additional Parameterization Workflows”

“Converting a SPICE Netlist to Simscape Blocks”

“Parameterize an Exponential Diode from SPICE Netlist”

Introduced in R2008a

Fault

Electrical fault with temporal, behavioral, or external trigger

Library: Simscape / Electrical / Utilities



Description

The Fault block allows you to represent an electrical fault as an instantaneous change in resistance. You can use it to replicate both open-circuit and short-circuit fault behaviors. The block can trigger fault events:

- At a specific time. The block can also stop imposing a temporal fault after a specified time duration.
- When a predefined voltage range or current range is exceeded
- When an external trigger signal goes high or low

Optionally, the external trigger option also permits the fault to reset when the trigger signal reverts. You can enable or disable all three trigger mechanisms separately. If more than one trigger mechanism is required in a simulation, you can use them together.

When no fault is triggered, the resistance between the two electrical ports is defined by the **Unfaulted resistance** parameter value. The default value for this parameter is `inf` ohms, that is the ports are open-circuit. When a fault is triggered, the block changes the resistance between the two electrical ports to the **Faulted resistance** value. The default value for this parameter is `1e-3` ohms, that is the ports are short-circuited.

You can choose whether to issue an assertion when a fault occurs, by using the **Reporting when a fault occurs** parameter. The assertion can take the form of a warning or an error. By default, the block does not issue an assertion.

The physical output X represents the fault state; if the block is faulted, the output is 1, otherwise, it is 0. The physical signal input F is the external fault trigger signal and is used only if **Enable external fault trigger** is set to Yes.

Ports

Input

F — External fault trigger signal

physical

Physical signal input port associated with the external fault trigger signal.

Output

X — Fault state

physical

Physical signal output port associated with the fault state. It outputs 1 if the block is faulted, 0 otherwise.

Conserving

+ – Positive terminal

electrical

Electrical conserving port associated with the fault positive terminal.

- – Negative terminal

electrical

Electrical conserving port associated with the fault negative terminal.

Parameters

Main

Unfaulted resistance – Resistance with no fault

inf Ohm (default)

Resistance between the + and - ports when there is no fault.

Faulted resistance – Resistance with fault

1e-3 Ohm (default)

Resistance between the + and - ports when the block is in the faulted state.

Reporting when a fault occurs – Fault occurrence report

None (default) | Warn | Error

Choose whether to issue an assertion when a fault occurs:

- None – The block does not issue an assertion.
- Warn – The block issues a warning.
- Error – Simulation stops with an error.

Temporal Trigger

Enable temporal fault trigger – Temporal fault trigger option

No (default) | Yes

Select Yes to enable time-based fault triggering.

Simulation time for fault event – Simulation time for fault event

1 s (default)

Set the simulation time that the block enters the fault state.

Dependencies

This parameter is visible only when you set the **Enable temporal fault trigger** parameter to Yes.

Fault duration — Duration time for the fault

inf s (default)

Set the simulation duration time for the fault. The block exits the fault state when the duration time is over.

Dependencies

This parameter is visible only when you set the **Enable temporal fault trigger** parameter to Yes.

Behavioral Trigger**Enable behavioral fault trigger — Behavioral fault trigger option**

No (default) | Yes

Select Yes to enable behavioral fault triggering.

Permissible voltage range — Permissible voltage range

[-100, 100] V (default)

Specify a vector of length 2 that defines the permissible voltage range. If the voltage is outside this range for longer than the **Time to fail when exceeding voltage range** parameter value, then the block enters the fault state.

Dependencies

This parameter is visible only when you set the **Enable behavioral fault trigger** parameter to Yes.

Time to fail when exceeding voltage range — Time to fail when exceeding voltage range

1 s (default)

Set the maximum length of time that the voltage can be outside the permissible voltage range without triggering the fault.

Dependencies

This parameter is visible only when you set the **Enable behavioral fault trigger** parameter to Yes.

Permissible current range — Permissible current range

[-1, 1] A (default)

Specify a vector of length 2 that defines the permissible current range. If the current is outside this range for longer than the **Time to fail when exceeding current range** parameter value, then the block enters the fault state.

Dependencies

This parameter is visible only when you set the **Enable behavioral fault trigger** parameter to Yes.

Time to fail when exceeding current range — Time to fail when exceeding current range

1 s (default)

Set the maximum length of time that the current can be outside the permissible current range without triggering the fault.

Dependencies

This parameter is visible only when you set the **Enable behavioral fault trigger** parameter to Yes.

External Trigger**Enable external fault trigger – External fault trigger option**

No (default) | Yes

Select Yes to enable external fault triggering. The physical signal input F provides the external fault trigger signal.

External fault trigger – External fault trigger condition

Faulted if $F \geq$ Fault threshold (default) | Faulted if $F \leq$ Fault threshold

Choose the fault condition:

- **Faulted if $F \geq$ Fault threshold** – The fault occurs when the external signal value becomes greater than, or equal to, the **Fault threshold** parameter value.
- **Faulted if $F \leq$ Fault threshold** – The fault occurs when the external signal value becomes less than, or equal to, the **Fault threshold** parameter value.

Dependencies

This parameter is visible only when you set the **Enable external fault trigger** parameter to Yes.

Fault threshold – Fault threshold

0.5 (default)

The threshold value that triggers the fault when the external signal crosses it in the direction, specified by the fault condition.

Dependencies

This parameter is visible only when you set the **Enable external fault trigger** parameter to Yes.

Fault resets when fault trigger reverts – Fault resets when fault trigger reverts

No (default) | Yes

Select Yes to have the fault reset when the trigger signal reverts.

Dependencies

This parameter is visible only when you set the **Enable external fault trigger** parameter to Yes.

Extended Capabilities**C/C++ Code Generation**

Generate C and C++ code using Simulink® Coder™.

See Also

Fault (Three-Phase) | Resistor

Introduced in R2015b

Fault (Three-Phase)

Signal-enabled or time-based, single-phase, two-phase, or three-phase, grounded or ungrounded fault

Library: Simscape / Electrical / Utilities



Description

The Fault (Three-Phase) models any permutation of a single-phase, two-phase, or three-phase grounded or ungrounded fault. The block can impose both time- and event-based faults. The block can impose one or both type of faults, consecutively, at the same time, or for an overlapping time period.

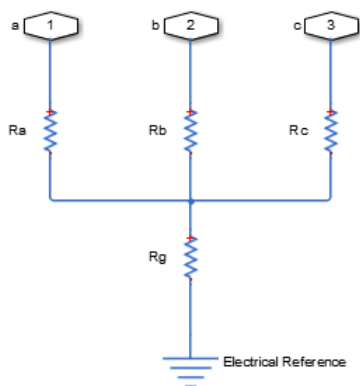
For a time-based or temporal fault, specify the fault activation time using the block **Fault start time** parameter. The fault becomes inactive when the fault duration that you specify elapses.

For an event-based fault, specify the fault activation threshold using the block **Threshold** parameter. An external control signal F enables the fault. The fault is active when F is greater than the threshold. The fault is inactive when F is less than or equal to the threshold.

The block can represent these permutations:

- Single-phase-to-ground fault ($a-g$, $b-g$, or $c-g$)
- Two-phase fault ($a-b$, $b-c$, or $c-a$)
- Two-phase-to-ground fault ($a-b-g$, $b-c-g$, or $c-a-g$)
- Three-phase fault ($a-b-c$)
- Three-phase-to-ground fault ($a-b-c-g$)

The figure shows the equivalent circuit diagram for the block.



To determine the resistance in the equivalent circuit, apply the relevant equations from the table.

Fault Type		Value of R_a	Value of R_b	Value of R_c	Value of R_g
None / inactive		$\frac{1}{G_{pn}}$	$\frac{1}{G_{pn}}$	$\frac{1}{G_{pn}}$	Infinity / open circuit
Single phase to ground	$a-g$	R_{pn}	$\frac{1}{G_{pn}}$	$\frac{1}{G_{pn}}$	R_{ng}
	$b-g$	$\frac{1}{G_{pn}}$	R_{pn}	$\frac{1}{G_{pn}}$	R_{ng}
	$c-g$	$\frac{1}{G_{pn}}$	$\frac{1}{G_{pn}}$	R_{pn}	R_{ng}
Two phase	$a-b$	R_{pn}	R_{pn}	$\frac{1}{G_{pn}}$	Infinity / open circuit
	$b-c$	$\frac{1}{G_{pn}}$	R_{pn}	R_{pn}	Infinity / open circuit
	$c-a$	R_{pn}	$\frac{1}{G_{pn}}$	R_{pn}	Infinity / open circuit
Two phase to ground	$a-b-g$	R_{pn}	R_{pn}	$\frac{1}{G_{pn}}$	R_{ng}
	$b-c-g$	$\frac{1}{G_{pn}}$	R_{pn}	R_{pn}	R_{ng}
	$c-a-g$	R_{pn}	$\frac{1}{G_{pn}}$	R_{pn}	R_{ng}
Three phase	$a-b-c$	R_{pn}	R_{pn}	R_{pn}	Infinity / open circuit
Three phase to ground	$a-b-c-g$	R_{pn}	R_{pn}	R_{pn}	R_{ng}

where:

- R_a is the resistance between the a -phase and the neutral point of a wye connection.
- R_b is the resistance between the b -phase and the neutral point of a wye connection.
- R_c is the resistance between the c -phase and the neutral point of a wye connection.
- R_g is the resistance between the neutral point of a wye connection and electrical reference.
- R_{pn} is the value of the **Faulted phase-neutral resistance** parameter.
- R_{ng} is the value of the **Faulted neutral-ground resistance** parameter.
- G_{pn} is the value of the **Unfaulted phase-neutral conductance** parameter.

Ports

Conserving

~ — Three-phase port

electrical

Expandable electrical conserving three-phase port for connecting the fault to the system.

Input

F — Externally triggered fault control input

physical

Physical signal scalar control input port for enabling an externally triggered fault.

Dependencies

To enable this port, on the **External Trigger** settings, set the **Enable external fault trigger** parameter to Yes.

Output

X — Fault state

physical

Physical signal scalar output port for reporting the fault state:

- 1 — Faulted
- 0 — Unfaulted

Dependencies

To enable this port, on the **Main** settings, set the **State port** parameter to Visible.

Parameters

Main

Fault type — Type of fault

None (default) | Single-phase to ground (a-g) | Single-phase to ground (b-g) | Single-phase to ground (c-g) | Two-phase (a-b) | Two-phase (b-c) | Two-phase (c-a) | Two-phase to ground (a-b-g) | Two-phase to ground (b-c-g) | Two-phase to ground (c-a-g) | Three-phase (a-b-c) | Three-phase to ground (a-b-c-g)

Type of fault to model. The visibility of related parameters depends on the fault model. Options are:

- None — Specifies that the fault is not active.
- Single-phase to ground (a-g)
- Single-phase to ground (b-g)
- Single-phase to ground (c-g)
- Two-phase (a-b)
- Two-phase (b-c)
- Two-phase (c-a)
- Two-phase to ground (a-b-g)
- Two-phase to ground (b-c-g)
- Two-phase to ground (c-a-g)
- Three-phase (a-b-c)
- Three-phase to ground (a-b-c-g)

Faulted phase-neutral resistance — Faulted phase-neutral resistance

1e-3 Ohm (default)

Resistance between the phase connection and the neutral point when the fault is active.

Dependencies

To enable this parameter set the **Fault type** parameter to:

- Single-phase to ground (a-g)
- Single-phase to ground (b-g)
- Single-phase to ground (c-g)
- Two-phase (a-b)
- Two-phase (b-c)
- Two-phase (c-a)
- Two-phase to ground (a-b-g)
- Two-phase to ground (b-c-g)
- Two-phase to ground (c-a-g)
- Three-phase (a-b-c)
- Three-phase to ground (a-b-c-g)

Faulted neutral-ground resistance — Faulted neutral-ground resistance

1e-3 Ohm (default)

Resistance between the neutral point and the electrical reference when fault is active.

Dependencies

To enable this parameter set the **Fault type** parameter to:

- Single-phase to ground (a-g)
- Single-phase to ground (b-g)
- Single-phase to ground (c-g)
- Two-phase to ground (a-b-g)
- Two-phase to ground (b-c-g)
- Two-phase to ground (c-a-g)
- Three-phase to ground (a-b-c-g)

State port — State port visibility

Hidden (default) | Visible

Option to hide or expose port **x**, a physical signal output port that reports the fault state:

- **Hidden** — Port **x** is not visible if you select this option.
- **Visible** — Port **x** is visible only if you select this option.

External Trigger**Enable external fault trigger — External fault model**

No (default) | Yes

External fault model. Choose between

- **No** — Do not model an external fault. Physical signal input port **F** is not visible if you select this option.
- **Yes** — Model an external fault. Related parameters and physical signal input port **F** are visible only if you select this option.

Fault threshold — Threshold value that triggers the fault

0.5 (default)

The threshold value that triggers the fault when the external signal crosses it in the direction, specified by the fault condition. This parameter is visible only if the **Enable external fault trigger** parameter is set to **Yes**. The default value is 0.5.

Dependencies

To enable this parameter, set the **Enable external fault trigger** parameter to **Yes**.

External fault trigger — Fault condition

Faulted if $F \geq \text{Fault threshold}$ (default) | Faulted if $F \leq \text{Fault threshold}$

Choose the fault condition:

- **Faulted if $F \geq \text{Fault threshold}$** — The fault occurs when the external signal value becomes greater than, or equal to, the **Fault threshold** parameter value.
- **Faulted if $F \leq \text{Fault threshold}$** — The fault occurs when the external signal value becomes less than, or equal to, the **Fault threshold** parameter value.

Dependencies

To enable this parameter, set the **Enable external fault trigger** parameter to **Yes**.

Fault resets when fault trigger reverts — Fault resets when fault trigger reverts

No (default) | Yes

Select **Yes** to have the fault reset when the trigger signal reverts. The default value is **No**.

Dependencies

To enable this parameter, set the **Enable external fault trigger** parameter to **Yes**.

Temporal Trigger

Enable temporal fault trigger — Temporal fault model

No (default) | Yes

Temporal fault model. Choose between

- **No** — Do not model a temporal fault.
- **Yes** — Model a temporal fault. Related parameters are visible only if you select this option.

Fault start time — Fault start time

1 s (default)

Simulation time that the block enters the fault state.

Dependencies

To enable this parameter, set the **Enable temporal fault trigger** parameter to Yes.

Fault duration – Fault duration

0.1 s (default)

Simulation duration time for the fault. The block exits the fault state when the duration time is over.

Dependencies

To enable this parameter, set the **Enable temporal fault trigger** parameter to Yes.

Parasitics**Unfaulted phase-neutral conductance – Unfaulted phase-neutral conductance**

1e-6 1/Ohm (default)

Conductance between the phase connections and the neutral point when a phase is not involved in the fault.

Extended Capabilities**C/C++ Code Generation**

Generate C and C++ code using Simulink® Coder™.

See Also

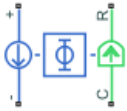
Fault

Introduced in R2019b

FEM-Parameterized Linear Actuator

Linear actuator defined in terms of magnetic flux

Library: Simscape / Electrical / Electromechanical / Mechatronics
Actuators



Description

The FEM-Parameterized Linear Actuator block implements a model of a linear actuator defined in terms of magnetic flux. Use this block to model custom solenoids and linear motors where magnetic flux depends on both distance and current. You parameterize the block using data from a third-party magnetic finite-element method (FEM) package.

Note To use this block to represent a solenoid with air gap x between case **C** and plunger **R**, then the tabulated force should be negative to represent the pulling force bringing **R** towards **C**.

The block has two options for the electrical equation. The first, **Define in terms of $d\Phi(i, x)/dx$ and $d\Phi(i, x)/di$** , defines the current in terms of partial derivatives of the magnetic flux (Φ) with respect to distance (x) and current (i), the equations for which are:

$$\frac{di}{dt} = \left(v - iR - \frac{\partial \Phi}{\partial x} \frac{dx}{dt} \right) / \frac{\partial \Phi}{\partial i}$$

The second option, **Define in terms of $\Phi(i, x)$** , defines the voltage across the component directly in terms of the flux, the equation for which is:

$$v = iR + \frac{d}{dt} \Phi(x, i)$$

Numerically, defining the electrical equation in terms of flux partial derivatives is better because the back-emf is piecewise continuous. If using the flux directly, using a finer grid size for current and position will improve results, as will selecting cubic or spline interpolation.

In both cases, you have an option to either directly specify the force as a function of current and position, by using the **Force matrix, $F(i, x)$** parameter, or have the block automatically calculate the force matrix.

If entering the electromagnetic force data directly, you can either use data supplied by the finite element magnetic package (which you used to determine the flux) or calculate the force from the flux with following equation:

$$F = \int_0^i \frac{\partial \Phi(x, i)}{\partial x} di$$

For an example that shows how to implement this type of integration in MATLAB, see “Solenoid Parameterized with FEM Data”. The related file `ee_solenoid_fem_params.m` contains the code that calculates and plots the flux data.

Alternatively, the block can automatically calculate the force matrix from the flux information that you provide. To select this option, set the **Calculate force matrix?** parameter to **Yes**. The force matrix calculation occurs at model initialization based on current block flux linkage information. The force is calculated by numerically integrating the rate of change of flux linkage with respect to position over current, according to the preceding equation. If the **Electrical model** parameter is set to **Define in terms of $\Phi(i,x)$** , then the block must first estimate the **Flux partial derivative wrt displacement, $d\Phi(i,x)/dx$** parameter value from the flux linkage data. When doing this, the block uses the interpolation method specified by the **Interpolation method** parameter. Typically, the **Smooth** option is most accurate, but the **Linear** option is most robust.

You can define Φ and its partial derivatives for just positive, or positive and negative currents. If defining for just positive currents, then the block assumes that $\Phi(-i,x) = -\Phi(i,x)$. Therefore, if the current vector is positive only:

- The first current value must be zero.
- The flux corresponding to zero current must be zero.
- The partial derivative of flux with respect to displacement must be zero for zero current.

To model a linear motor with a repeated flux pattern, set the **Flux dependence on displacement** parameter to **Cyclic**. When selecting this option, the force and flux (or force and flux partial derivatives depending on the option chosen) must have identical first and last columns.

Note The actuated motion direction of this block can be swapped by flipping the block and swapping the R and C connections.

Thermal Port

The block has an optional thermal port, hidden by default. To expose the thermal port, right-click the block in your model, and then from the context menu select **Simscape > Block choices > Show thermal port**. This action displays the thermal port **H** on the block icon, and exposes the **Temperature Dependence** and **Thermal Port** parameters.

Use the thermal port to simulate the effects of copper resistance losses that convert electrical power to heat. For more information on using thermal ports and on the **Temperature Dependence** and **Thermal Port** parameters, see “Simulating Thermal Effects in Rotational and Translational Actuators”.

Assumptions and Limitations

- You must supply a consistent set of force and flux data. There is no check that ensures that the force matrix is consistent with the flux data.
- When driving the FEM-Parameterized Linear Actuator block via a series inductor, you may need to include a parallel conductance in the inductor component.

Ports

Conserving

+ – Positive terminal

electrical

Electrical conserving port associated with the actuator positive terminal.

- – Negative terminal

electrical

Electrical conserving port associated with the actuator negative terminal.

C – Case

mechanical

Mechanical translational conserving port associated with the actuator case.

R – Plunger

mechanical

Mechanical translational conserving port associated with the plunger.

H – Thermal port

thermal

Thermal port. For more information, see “Thermal Port” on page 1-444.

Parameters

Magnetic Force

Electrical model – Electrical model parameterization

Define in terms of $d\Phi(i,x)/dx$ and $d\Phi(i,x)/di$ (default) | Define in terms of $\Phi(i,x)$

Select one of the following parameterization options, based on the underlying electrical model:

- Define in terms of $d\Phi(i,x)/dx$ and $d\Phi(i,x)/di$ — Define the current through the block in terms of partial derivatives of the magnetic flux with respect to distance and current.
- Define in terms of $\Phi(i,x)$ — Define the voltage across the block terminals directly in terms of the flux.

Current vector, **i** – Current vector

[0, .1, .2, .3, .4, .5, .6, .7, .8, .9, 1] A (default)

Specify a vector of monotonically increasing current values corresponding to your force-flux data. If you specify positive currents only, the first element must be zero.

Displacement vector, **x** – Displacement vector

[0, .05, .1, .15, .2] mm (default)

Specify a vector of monotonically increasing displacement values corresponding to your force-flux data.

Flux partial derivative wrt current, $d\Phi(i,x)/di$ — Flux partial derivative with respect to current

```
[.104, .098, .091, .085, .078; .095, .089, .084, .079, .073; .085, .081, .077
, .073, .069; .076, .073, .07, .067, .064; .067, .065, .063, .061, .06; .057,
.057, .056, .056, .055; .048, .049, .049, .05, .05; .038, .04, .042, .044, .0
46; .029, .032, .035, .038, .041; .02, .024, .028, .033, .037; .01, .016, .02
1, .027, .032] Wb/A (default)
```

Specify a matrix of the flux partial derivatives with respect to current. The default value, in Wb/A, is:

```
[ 0.104 0.098 0.091 0.085 0.078;
0.095 0.089 0.084 0.079 0.073;
0.085 0.081 0.077 0.073 0.069;
0.076 0.073 0.07 0.067 0.064;
0.067 0.065 0.063 0.061 0.06;
0.057 0.057 0.056 0.056 0.055;
0.048 0.049 0.049 0.05 0.05;
0.038 0.04 0.042 0.044 0.046;
0.029 0.032 0.035 0.038 0.041;
0.02 0.024 0.028 0.033 0.037;
0.01 0.016 0.021 0.027 0.032 ]
```

Dependencies

This parameter is visible only when you set the **Electrical model** parameter to Define in terms of $d\Phi(i,x)/dx$ and $d\Phi(i,x)/di$.

Flux partial derivative wrt displacement, $d\Phi(i,x)/dx$ — Flux partial derivative with respect to displacement

```
[0, 0, 0, 0, 0; -11.94, -10.57, -9.19, -7.81, -6.43; -21.17, -19.92, -18.67,
-17.42, -16.16; -27.99, -26.87, -25.75, -24.62, -23.5; -32.42, -31.43,
-30.43, -29.43, -28.44; -34.46, -33.59, -32.72, -31.85, -30.98; -34.09,
-33.35, -32.61, -31.87, -31.12; -31.33, -30.72, -30.1, -29.49, -28.87;
-26.17, -25.68, -25.2, -24.71, -24.22; -18.62, -18.26, -17.9, -17.54, -17.18;
-8.66, -8.43, -8.2, -7.97, -7.73] Wb/m (default)
```

Specify a matrix of the flux partial derivatives with respect to displacement. The default value, in Wb/m, is:

```
[ 0 0 0 0 0;
-11.94 -10.57 -9.19 -7.81 -6.43;
-21.17 -19.92 -18.67 -17.42 -16.16;
-27.99 -26.87 -25.75 -24.62 -23.5;
-32.42 -31.43 -30.43 -29.43 -28.44;
-34.46 -33.59 -32.72 -31.85 -30.98;
-34.09 -33.35 -32.61 -31.87 -31.12;
-31.33 -30.72 -30.1 -29.49 -28.87;
-26.17 -25.68 -25.2 -24.71 -24.22;
-18.62 -18.26 -17.9 -17.54 -17.18;
-8.66 -8.43 -8.2 -7.97 -7.73 ]
```

Dependencies

This parameter is visible only when you set the **Electrical model** parameter to Define in terms of $d\Phi(i,x)/dx$ and $d\Phi(i,x)/di$.

Flux linkage matrix, $\Phi(i,x)$ – Flux linkage matrix

```
[0, 0, 0, 0, 0,
0; .0085, .0079, .0075, .0071, .0067; .0171, .016, .0151, .0143, .0137; .0254
, .0239, .0226, .0215, .0206; .033, .0312, .0297, .0283, .0271; .0396, .0377,
.036, .0345, .0331; .0452, .0433, .0415, .0399, .0384; .0495, .0478, .0461, .
0446, .0431; .0526, .0512, .0498, .0485, .0472; .0545, .0537, .0528, .0519, .
0508; .0554, .0553, .0551, .0548, .0542] Wb (default)
```

Specify a matrix of the total flux linkage, that is, flux times the number of turns. The default value, in Wb, is:

```
[ 0 0 0 0 0;
0.0085 0.0079 0.0075 0.0071 0.0067;
0.0171 0.016 0.0151 0.0143 0.0137;
0.0254 0.0239 0.0226 0.0215 0.0206;
0.033 0.0312 0.0297 0.0283 0.0271;
0.0396 0.0377 0.036 0.0345 0.0331;
0.0452 0.0433 0.0415 0.0399 0.0384;
0.0495 0.0478 0.0461 0.0446 0.0431;
0.0526 0.0512 0.0498 0.0485 0.0472;
0.0545 0.0537 0.0528 0.0519 0.0508;
0.0554 0.0553 0.0551 0.0548 0.0542 ]
```

Dependencies

This parameter is visible only when you set the **Electrical model** parameter to **Define in terms of $\Phi(i,x)$** .

Calculate force matrix? – Electromagnetic force data specification

No – specify directly (default) | Yes

Specify the way of providing the electromagnetic force data:

- **No – specify directly** – Enter the electromagnetic force data directly, by using the **Force matrix, $F(i,x)$** parameter. This is the default option.
- **Yes** – The block calculates the force from the flux linkage information, as a function of current and displacement.

Force matrix, $F(i,x)$ – Force matrix

```
[0, 0, 0, 0, 0; -.6, -.5, -.4, -.3, -.3; -2.3, -2, -1.7, -1.4, -1.2; -4.9,
-4.3, -3.7, -3.2, -2.7; -8.3, -7.3, -6.4, -5.5, -4.7; -12.2, -10.7, -9.4,
-8.2, -7.2; -16.2, -14.4, -12.7, -11.3, -10; -20, -17.9, -15.9, -14.3, -12.9;
-23.3, -20.9, -18.8, -17.1, -15.7; -25.7, -23.1, -21.1, -19.4, -18.2; -26.5,
-24.1, -22.2, -20.9, -20.1] N (default)
```

Specify a matrix of the electromagnetic force applied to the plunger or moving part. The default value, in N, is:

```
[ 0 0 0 0 0;
-0.6 -0.5 -0.4 -0.3 -0.3;
-2.3 -2 -1.7 -1.4 -1.2;
-4.9 -4.3 -3.7 -3.2 -2.7;
-8.3 -7.3 -6.4 -5.5 -4.7;
-12.2 -10.7 -9.4 -8.2 -7.2;
-16.2 -14.4 -12.7 -11.3 -10;
-20 -17.9 -15.9 -14.3 -12.9;
```

```
-23.3 -20.9 -18.8 -17.1 -15.7;  
-25.7 -23.1 -21.1 -19.4 -18.2;  
-26.5 -24.1 -22.2 -20.9 -20.1 ]
```

Dependencies

This parameter is visible only when you set the **Calculate force matrix?** parameter to **No** – specify directly.

Flux dependence on displacement – Flux pattern

Unique (default) | Cyclic

Specify the flux pattern:

- **Unique** — No flux pattern present.
- **Cyclic** — Select this option to model a linear motor with a repeated flux pattern. The force and flux (or force and flux partial derivatives, depending on the **Electrical model** option chosen) must have identical first and last columns.

Interpolation method – Interpolation method

Linear (default) | Smooth

Select one of the following interpolation methods for approximating the output value when the input value is between two consecutive grid points:

- **Linear** — Select this option to get the best performance.
- **Smooth** — Select this option to produce a continuous surface with continuous first-order derivatives.

For more information on interpolation algorithms, see the PS Lookup Table (2D) block reference page.

Extrapolation method – Extrapolation method

Linear (default) | Nearest

Select one of the following extrapolation methods for determining the output value when the input value is outside the range specified in the argument list:

- **Linear** — Select this option to produce a surface with continuous first-order derivatives in the extrapolation region and at the boundary with the interpolation region.
- **Nearest** — Select this option to produce an extrapolation that does not go above the highest point in the data or below the lowest point in the data.

For more information on extrapolation algorithms, see the PS Lookup Table (2D) block reference page.

Dependencies

This parameter is visible only when you set the **Flux dependence on displacement** parameter to **Unique**.

Winding resistance – Electrical winding total resistance

14 Ohm (default)

Total resistance of the electrical winding.

Mechanical

Damping — Damping

1 N/(m/s) (default)

Linear damping. The value can be zero.

Plunger mass — Mass of the moving part

0.05 kg (default)

Mass of the moving part, which corresponds to mechanical translational port **R**. The value can be zero.

Minimum stroke — Minimum stroke

0 mm (default)

The stroke at which the lower mechanical end stop is applied. The value can be -Inf.

Maximum stroke — Maximum stroke

0.2 mm (default)

The stroke at which the upper mechanical end stop is applied. The value can be Inf.

Initial plunger position — Initial plunger position

0 mm (default)

Position of the plunger at the start of the simulation.

Initial plunger velocity — Initial plunger velocity

0 mm/s (default)

Speed of the plunger at the start of the simulation.

Contact stiffness — Contact stiffness

1e8 N/m (default)

Contact stiffness between plunger and end stops.

Contact damping — Contact damping

1e4 N/(m/s) (default)

Contact damping between plunger and end stops.

Temperature Dependence

This tab appears only for blocks with exposed thermal port. For more information, see “Thermal Port” on page 1-444.

Resistance temperature coefficient — Resistance temperature coefficient

3.93e-3 1/K (default)

Resistance temperature coefficient.

Measurement temperature — Measurement temperature

25 degC (default)

The temperature for which the actuator parameters are defined.

Thermal Port

This tab appears only for blocks with exposed thermal port. For more information, see “Thermal Port” on page 1-444.

Thermal mass – Thermal mass

100 J/K (default)

The thermal mass is the energy required to raise the temperature by one degree.

Initial temperature – Initial temperature

25 degC (default)

Temperature of the thermal port at the start of simulation.

Extended Capabilities**C/C++ Code Generation**

Generate C and C++ code using Simulink® Coder™.

See Also

FEM-Parameterized Rotary Actuator | Solenoid

Introduced in R2010a

FEM-Parameterized PMSM

Permanent magnet synchronous motor defined in terms of magnetic flux linkage

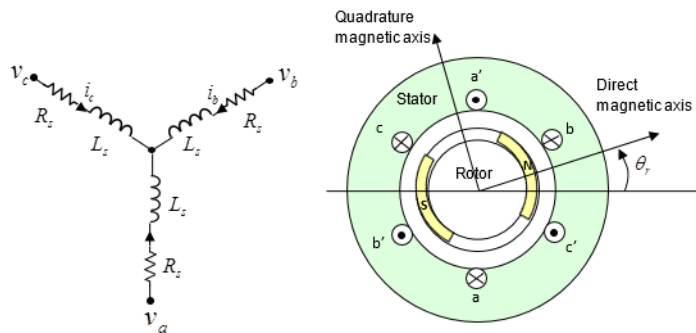
Library: Simscape / Electrical / Electromechanical / Permanent Magnet



Description

The FEM-Parameterized PMSM block implements a model of a permanent magnet synchronous motor (PMSM) defined in terms of magnetic flux linkage. You parameterize the block by providing tabulated data of motor magnetic flux as a function of current and rotor angle. This is the way third-party magnetic finite-element method (FEM) packages usually export flux information. Because of the tabulated form, the flux can vary in a nonlinear way on both rotor angle and current. You can therefore use this block to model PMSM with trapezoidal back-emf profile, sometimes called brushless DC motor, as well as regular PMSM.

The figure shows the equivalent circuit for a wye-connected PMSM. The rotor angle is zero when the permanent magnet flux aligns with the A-phase magnetic axis.



In practice, the flux linking each of the three windings depends on all three currents and rotor angle. Tabulating flux as a function of four independent variables might lead to simulation inefficiency and significant memory requirements to manage the data. The block, therefore, lets you select between the following parameterization methods for flux and torque:

- **2-D partial derivative data** — 2-D table lookup, with options to tabulate in terms of current and rotor angle, or in terms of d -axis and q -axis currents. The first option assumes constant mutual inductance and supports nonsinusoidal back emf profiles. The second option assumes a sinusoidal back emf and captures saturation effects for interior PMSMs (IPMSMs).
- **3-D partial derivative data** — 3-D table lookup, based on direct current, quadrature current, and rotor angle. You provide the flux lookup data for the a phase. The block uses Park transform to map the three stator winding currents to direct and quadrature currents. This method reduces the data complexity, as compared to the 4-D table lookup, and therefore results in improved simulation performance.

- **4-D partial derivative data** — 4-D table lookup, based on the three stator winding currents and the rotor angle. You provide the flux lookup data for the *a* phase. This model has the best fidelity of the three, but also is the most costly in terms of simulation performance and memory requirements.
- **3-D flux linkage data** — 3-D table lookup, based on the flux linkage data. You can provide the flux linkage data in a variety of formats. The block uses Park transform to map the three stator winding currents to direct and quadrature currents. This method reduces the data complexity, as compared to the 4-D table lookup, and therefore results in improved simulation performance.

By default, all of the block variants implement a wye-wound configuration for the stator windings. However, it is possible to switch to a delta-wound configuration, selectable using the **Winding type** parameter. When in the delta-wound configuration, the *a* phase is connected between ports **a** and **b**, the *b* phase between ports **b** and **c** and the *c* phase between ports **c** and **a**.

To access these parameterization methods, right-click the block in your model, select **Simscape > Block choices**, and then select the desired block variant, with or without thermal ports. By default, the thermal ports are not exposed. For more information, see “Thermal Ports” on page 1-459.

2-D Data Model with Constant Mutual Inductance

In this 2-D flux data model, the flux linking each winding is assumed to depend nonlinearly only on the current in that same winding, plus the rotor angle. In practice, this is a reasonable assumption for many permanent magnet synchronous motors; however, it is less accurate for switched reluctance motors. Given this assumption, the fluxes in the three windings are:

$$\begin{bmatrix} \phi_a \\ \phi_b \\ \phi_c \end{bmatrix} = \begin{bmatrix} 0 & -M_s & -M_s \\ -M_s & 0 & -M_s \\ -M_s & -M_s & 0 \end{bmatrix} \begin{bmatrix} i_a \\ i_b \\ i_c \end{bmatrix} + \begin{bmatrix} \phi(i_a, \theta_r) \\ \phi(i_b, \theta_r - 2\pi/(3N)) \\ \phi(i_c, \theta_r - 4\pi/(3N)) \end{bmatrix}$$

where $\phi(\theta_r, i_a)$ is the flux linkage for the A-phase winding as a function of rotor angle and A-phase current. $\theta_r = 0$ corresponds to the rotor *d*-axis aligning with the A-phase positive magnetic flux direction. M_s is the stator-stator mutual inductance.

For improved numerical performance, the equations implemented in the block actually work with the partial derivatives of flux linkage with respect to current, $\partial\phi(i, \theta_r)/\partial i$, and rotor angle, $\partial\phi(i, \theta_r)/\partial\theta_r$, rather than the flux directly. If your FEM package does not export these partial derivatives, you can determine them using a MATLAB script. See the Solenoid Parameterized with FEM Data example model and its supporting MATLAB script for an example of how to do this.

The electrical equations for the block, defined in terms of flux partial derivatives, are:

$$\begin{aligned} v_a &= \frac{\partial\phi}{\partial i_a} \frac{di_a}{dt} + \frac{\partial\phi}{\partial\theta_r} \frac{d\theta_r}{dt} - M_s \left(\frac{di_b}{dt} + \frac{di_c}{dt} \right) + R_s i_a \\ v_b &= \frac{\partial\phi}{\partial i_b} \frac{di_b}{dt} + \frac{\partial\phi}{\partial\theta_r} \frac{d\theta_r}{dt} - M_s \left(\frac{di_a}{dt} + \frac{di_c}{dt} \right) + R_s i_b \\ v_c &= \frac{\partial\phi}{\partial i_c} \frac{di_c}{dt} + \frac{\partial\phi}{\partial\theta_r} \frac{d\theta_r}{dt} - M_s \left(\frac{di_a}{dt} + \frac{di_b}{dt} \right) + R_s i_c \end{aligned}$$

where

- v_a, v_b, v_c are the voltages applied to the A, B, and C stator windings.

- i_a, i_b, i_c are the stator currents in each of the three windings.
- R_s is the resistance of each of the stator windings.
- M_s is the stator-stator mutual inductance.
- $\partial\phi/\partial i_a, \partial\phi/\partial i_b, \partial\phi/\partial i_c$ are the partial derivatives of flux linkage with respect to stator current in each of the three windings.
- $\partial\phi/\partial\theta_r$ is the partial derivative of flux linkage with respect to rotor angle.

The block can automatically calculate the torque matrix from the flux information that you provide. Alternatively, you can set the **Calculate torque matrix?** parameter to **No** and directly specify the torque as a function of current and rotor angle. See the FEM-Parameterized Rotary Actuator block reference page for more information.

2-D Data Model with Sinusoidal Back EMF

In this 2-D flux data model, the flux linking each winding is assumed to depend nonlinearly on all stator winding currents, plus it is assumed that the permanent magnet flux linkage is sinusoidal. Interior magnet PMSMs (or IPMSMs) usually fit this assumption well. The equations are:

$$\begin{bmatrix} \phi_d \\ \phi_q \end{bmatrix} = \begin{bmatrix} L_d(i_d, i_q) & \\ & L_q(i_d, i_q) \end{bmatrix} \begin{bmatrix} i_d \\ i_q \end{bmatrix} + \begin{bmatrix} \phi_m(i_d, i_q) \end{bmatrix}$$

$$T = \frac{3}{2}N(i_q(i_d L_d(i_d, i_q) + \phi_m(i_d, i_q)) - i_d i_q L_q(i_d, i_q))$$

where

- i_d and i_q are the d -axis and q -axis currents, respectively.
- ϕ_d and ϕ_q are the d -axis and q -axis flux linkages, respectively.
- ϕ_m is the permanent magnet flux linkage.
- L_d and L_q are the d -axis and q -axis inductances, respectively. They are assumed to depend on the d -axis and q -axis currents.
- N is the number of pole pairs.
- T is the electrical torque.

3-D Partial Derivative Data Model Using Park Transform

Working with four-dimensional data has both a simulation performance cost and a memory cost. To reduce the table dimension to three-dimensional, the 3-D data model uses Park transform to map the three currents to direct and quadrature currents:

$$\begin{bmatrix} i_d \\ i_q \end{bmatrix} = \frac{2}{3} \begin{bmatrix} \cos\theta_e & \cos\left(\theta_e - \frac{2\pi}{3}\right) & \cos\left(\theta_e + \frac{2\pi}{3}\right) \\ -\sin\theta_e & -\sin\left(\theta_e - \frac{2\pi}{3}\right) & -\sin\left(\theta_e + \frac{2\pi}{3}\right) \end{bmatrix} \begin{bmatrix} i_a \\ i_b \\ i_c \end{bmatrix}$$

In the general case, Park transform maps to direct, quadrature, and zero-sequence currents. However, the zero-sequence current is typically small under normal operating conditions. Therefore, the model neglects the dependence of the flux linkage terms on zero-sequence current, and determines the flux linkage in terms of just direct and quadrature currents plus rotor angle. The flux equation for the 3-D data model is:

$$\begin{bmatrix} \phi_a \\ \phi_b \\ \phi_c \end{bmatrix} = \begin{bmatrix} \phi(i_d, i_q, \theta_r) \\ \phi(i_d, i_q, \theta_r - 2\pi/(3N)) \\ \phi(i_d, i_q, \theta_r - 4\pi/(3N)) \end{bmatrix}$$

The electrical equations for the block are also defined in terms of flux partial derivatives, similar to the 4-D data model. You can calculate 3-D flux linkage partial derivative data from 4-D flux linkage data using `ee_calculateFluxPartialDerivatives`.

4-D Partial Derivative Data Model

The flux linking each of the windings is a function of the current in that winding, the currents in the other two windings, and the rotor angle. For full accuracy, the 4-D flux data model assumes that the flux linkage is a function of the three currents and the rotor angle, therefore performing four-dimensional table lookups. The flux equation is:

$$\begin{bmatrix} \phi_a \\ \phi_b \\ \phi_c \end{bmatrix} = \begin{bmatrix} \phi(i_a, i_b, i_c, \theta_r) \\ \phi(i_b, i_c, i_a, \theta_r - 2\pi/(3N)) \\ \phi(i_c, i_a, i_b, \theta_r - 4\pi/(3N)) \end{bmatrix}$$

where

- ϕ_a, ϕ_b, ϕ_c are the flux linkages for the A, B, and C stator windings.
- i_a, i_b, i_c are the stator currents in each of the three windings.
- θ_r is the rotor angle. $\theta_r = 0$ corresponds to the case where the permanent magnet flux is aligned with the A-phase stator winding flux.
- N is the number of pole pairs.

Flux linkage data is assumed cyclic with θ_r . If, for example, the motor has six pole pairs, then the range for the data is $0 \leq \theta_r \leq 60^\circ$. You must provide data both at 0 and 60 degrees, and because the data is cyclic, the flux linkage partial derivatives must be the same at these two end points.

The torque equation is:

$$\tau = T(i_a, i_b, i_c, \theta_r)$$

The 4-D data model does not have an option for the block to determine torque from flux linkage. Because of the increased numerical overhead in the 4-D case, it is better to precalculate the torque just once, rather than calculate it every time you run the simulation.

For improved numerical performance, the equations implemented in the block actually work with the partial derivatives of flux linkage with respect to the three currents and the rotor angle, rather than the flux directly. If your FEM package does not export these partial derivatives, you can determine them using `ee_calculateFluxPartialDerivatives`.

The electrical equations for the block, defined in terms of flux partial derivatives, are:

$$\begin{aligned} v_a &= \frac{\partial \phi_a}{\partial i_a} \frac{di_a}{dt} + \frac{\partial \phi_a}{\partial i_b} \frac{di_b}{dt} + \frac{\partial \phi_a}{\partial i_c} \frac{di_c}{dt} + \frac{\partial \phi_a}{\partial \theta_r} \frac{d\theta_r}{dt} + R_s i_a \\ v_b &= \frac{\partial \phi_b}{\partial i_a} \frac{di_a}{dt} + \frac{\partial \phi_b}{\partial i_b} \frac{di_b}{dt} + \frac{\partial \phi_b}{\partial i_c} \frac{di_c}{dt} + \frac{\partial \phi_b}{\partial \theta_r} \frac{d\theta_r}{dt} + R_s i_b \\ v_c &= \frac{\partial \phi_c}{\partial i_a} \frac{di_a}{dt} + \frac{\partial \phi_c}{\partial i_b} \frac{di_b}{dt} + \frac{\partial \phi_c}{\partial i_c} \frac{di_c}{dt} + \frac{\partial \phi_c}{\partial \theta_r} \frac{d\theta_r}{dt} + R_s i_c \end{aligned}$$

where

- v_a, v_b, v_c are the voltages applied to the A, B, and C stator windings.
- i_a, i_b, i_c are the stator currents in each of the three windings.
- R_s is the resistance of each of the stator windings.

3-D Flux Linkage Data Models

The 3-D flux linkage data options let you work with raw flux linkage data exported from your finite-element (FE) motor design tool. This is in contrast to the 3-D partial derivative data options, for which you need to determine the partial derivatives. You can provide flux linkage data in a variety of formats, to support different FE tool conventions:

- Tabulate DQ-axes flux linkage data or A-phase flux linkage data — Some tools support working with flux linkage resolved into direct (D) and quadrature (Q) axes. An advantage of this approach is that data for rotor angles in the range 0 to $360/N/3$ degrees is required (where N is the number of pole pairs). Other tools work directly with A-, B-, and C-phase flux linkages, and for this you can import just the A-phase flux linkage, for which the rotor angle range must be in the range 0 to $360/N$ degrees. The implicit assumption of importing just the A-phase data is that the B and C phase data is the same except shifted in phase.
- Tabulate using cartesian or polar current coordinates — Cartesian tabulation implies the flux linkage is tabulated in terms of D-axis current and Q-axis current (plus rotor angle). Alternatively, polar tabulation involves tabulating flux linkages in terms of current magnitude, current advance angle relative to the Q-axis, and rotor angle. The advantage of polar coordinates is that it more naturally reflects the permitted operating currents, thereby avoiding unused table data points.

These conventions result in four **Flux linkage data format** parameterization options:

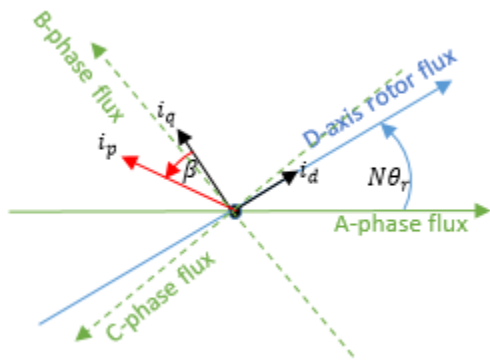
- D and Q axes flux linkages as a function of D-axis current (i_D), Q-axis current (i_Q), and rotor angle (θ)
- D and Q axes flux linkages as a function of peak current magnitude (I), current advance angle (B), and rotor angle (θ)
- A-phase flux linkage as a function of D-axis current (i_D), Q-axis current (i_Q), and rotor angle (θ)
- A-phase flux linkage as a function of peak current magnitude (I), current advance angle (B), and rotor angle (θ)

Besides selecting the flux linkage data format used by your FE tool, you have to select the version of Park transform used by the tool. The four conventions are described below and correspond to the four options for the **Park's convention for tabulated data** drop-down menu.

Note When looking at logged values for D- and Q-axis currents, keep in mind that for each of these options, the format is converted, as needed, so that internally the FEM-Parameterized PMSM block consistently uses Option 1.

Option 1. Q leads D, rotor angle measured from A-phase to D-axis

This is the Park's convention used internally by Simscape Electrical motor and machine blocks. All other options are converted into this format.



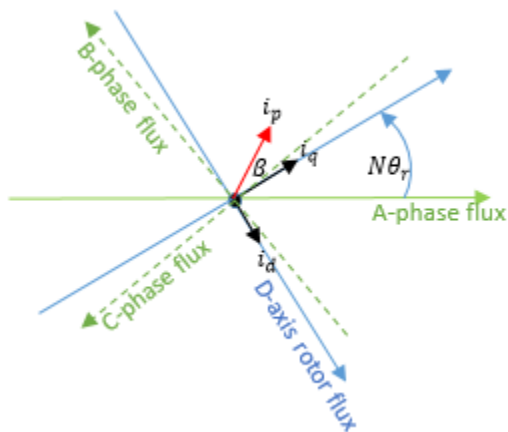
- N : number of pole pairs
- θ_r : rotor angle
- i_d, i_q : D-axis and Q-axis currents
- i_p : Current magnitude = $\sqrt{i_d^2 + i_q^2}$
- β : Current advance angle = $\tan^{-1}(-i_d/i_q)$

Corresponding Park transform is

$$\begin{bmatrix} i_d \\ i_q \\ i_0 \end{bmatrix} = \frac{2}{3} \begin{bmatrix} \cos(N\theta_r) & \cos\left(N\theta_r - \frac{2\pi}{3}\right) & \cos\left(N\theta_r + \frac{2\pi}{3}\right) \\ -\sin(N\theta_r) & -\sin\left(N\theta_r - \frac{2\pi}{3}\right) & -\sin\left(N\theta_r + \frac{2\pi}{3}\right) \\ \frac{1}{2} & \frac{1}{2} & \frac{1}{2} \end{bmatrix} \begin{bmatrix} i_a \\ i_b \\ i_c \end{bmatrix}$$

where $i_a, i_b,$ and i_c are the A-phase, B-phase, and C-phase currents, respectively.

Option 2. Q leads D, rotor angle measured from A-phase to Q-axis



- N : number of pole pairs

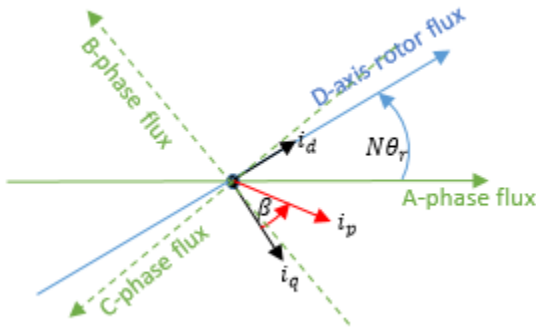
- θ_r : rotor angle
- i_d, i_q : D-axis and Q-axis currents
- i_p : Current magnitude = $\sqrt{i_d^2 + i_q^2}$
- β : Current advance angle = $\tan^{-1}(-i_d/i_q)$

Corresponding Park transform is

$$\begin{bmatrix} i_d \\ i_q \\ i_0 \end{bmatrix} = \frac{2}{3} \begin{bmatrix} \sin(N\theta_r) & \sin\left(N\theta_r - \frac{2\pi}{3}\right) & \sin\left(N\theta_r + \frac{2\pi}{3}\right) \\ \cos(N\theta_r) & \cos\left(N\theta_r - \frac{2\pi}{3}\right) & \cos\left(N\theta_r + \frac{2\pi}{3}\right) \\ \frac{1}{2} & \frac{1}{2} & \frac{1}{2} \end{bmatrix} \begin{bmatrix} i_a \\ i_b \\ i_c \end{bmatrix}$$

where i_a , i_b , and i_c are the A-phase, B-phase, and C-phase currents, respectively.

Option 3. D leads Q, rotor angle measured from A-phase to D-axis



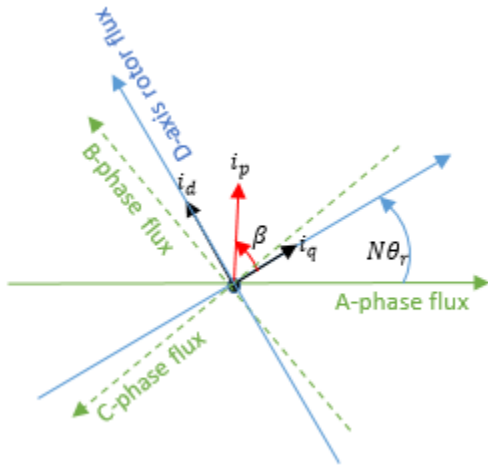
- N : number of pole pairs
- θ_r : rotor angle
- i_d, i_q : D-axis and Q-axis currents
- i_p : Current magnitude = $\sqrt{i_d^2 + i_q^2}$
- β : Current advance angle = $\tan^{-1}(-i_d/i_q)$

Corresponding Park transform is

$$\begin{bmatrix} i_d \\ i_q \\ i_0 \end{bmatrix} = \frac{2}{3} \begin{bmatrix} \cos(N\theta_r) & \cos\left(N\theta_r - \frac{2\pi}{3}\right) & \cos\left(N\theta_r + \frac{2\pi}{3}\right) \\ \sin(N\theta_r) & \sin\left(N\theta_r - \frac{2\pi}{3}\right) & \sin\left(N\theta_r + \frac{2\pi}{3}\right) \\ \frac{1}{2} & \frac{1}{2} & \frac{1}{2} \end{bmatrix} \begin{bmatrix} i_a \\ i_b \\ i_c \end{bmatrix}$$

where i_a , i_b , and i_c are the A-phase, B-phase, and C-phase currents, respectively.

Option 4. D leads Q, rotor angle measured from A-phase to Q-axis



- N : number of pole pairs
- θ_r : rotor angle
- i_d, i_q : D-axis and Q-axis currents
- i_p : Current magnitude = $\sqrt{i_d^2 + i_q^2}$
- β : Current advance angle = $\tan^{-1}(-i_d/i_q)$

Corresponding Park transform is

$$\begin{bmatrix} i_d \\ i_q \\ i_0 \end{bmatrix} = \frac{2}{3} \begin{bmatrix} -\sin(N\theta_r) & -\sin\left(N\theta_r - \frac{2\pi}{3}\right) & -\sin\left(N\theta_r + \frac{2\pi}{3}\right) \\ \cos(N\theta_r) & \cos\left(N\theta_r - \frac{2\pi}{3}\right) & \cos\left(N\theta_r + \frac{2\pi}{3}\right) \\ \frac{1}{2} & \frac{1}{2} & \frac{1}{2} \end{bmatrix} \begin{bmatrix} i_a \\ i_b \\ i_c \end{bmatrix}$$

where $i_a, i_b,$ and i_c are the A-phase, B-phase, and C-phase currents, respectively.

Calculating Iron Losses

Regardless of the parameterization methods for flux and torque, all block variants use the same iron losses model, which is based on the work of Mellor [1]. Iron losses are divided into two terms, one representing the main magnetizing path, and the other representing the cross-tooth tip path that becomes active during field weakened operation.

The term representing the main magnetizing path depends on the induced RMS stator voltage, $V_{m_{rms}}$:

$$POC(V_{m_{rms}}) = \frac{a_h}{k} V_{m_{rms}} + \frac{a_j}{k^2} V_{m_{rms}}^2 + \frac{a_{ex}}{k^{1.5}} V_{m_{rms}}^{1.5}$$

This is the dominant term during no-load operation. k is the back emf constant relating RMS volts per Hz. It is defined as $k = V_{m_{rms}}/f$, where f is the electrical frequency. The first term on the right-hand

side is the magnetic hysteresis loss, the second is the eddy current loss and the third is the excess loss. The three coefficients appearing on the numerators are derived from the values that you provide for the open-circuit hysteresis, eddy, and excess losses.

The term representing the cross-tooth tip path becomes important when a demagnetizing field is set up and can be determined from a finite element analysis short-circuit test. It depends on the RMS emf associated with the cross-tooth tip flux, $V_{d_{rms}}^*$:

$$P_{SC}(V_{d_{rms}}^*) = \frac{b_h}{k} V_{d_{rms}}^* + \frac{b_j}{k^2} V_{d_{rms}}^{*2} + \frac{b_{ex}}{k^{1.5}} V_{d_{rms}}^{*1.5}$$

The three numerator terms are derived from the values you provide for the short-circuit hysteresis, eddy, and excess losses.

Thermal Ports

The block has four optional thermal ports, one for each of the three windings and one for the rotor. These ports are hidden by default. To expose the thermal ports, right-click the block in your model, select **Simscape > Block choices**, and then select the desired block variant with thermal ports: **2-D data | Show thermal port**, **3-D A-phase data | Show thermal port**, **4-D A-phase data | Show thermal port**, or **3-D DQ data | Show thermal port**. This action displays the thermal ports on the block icon, and exposes the **Temperature Dependence** and **Thermal Port** parameters. These parameters are described further on this reference page.

Use the thermal ports to simulate the effects of copper resistance and iron losses that convert electrical power to heat. For more information on using thermal ports in actuator blocks, see “Simulating Thermal Effects in Rotational and Translational Actuators”.

Assumptions and Limitations

This block has the following limitations:

- For the 2-D data model, the stator-stator mutual inductance, defined by the **Stator mutual inductance, Ms** parameter value, is constant during simulation and does not vary with rotor angle. This means that the block is suitable for modeling most PMSM and brushless DC motors, but not switched reluctance motors.
- The 3-D and 4-D data models assume symmetry, so that the flux linkage dependency on currents and rotor angle for windings B and C can be determined from that for winding A.
- For the 4-D data model, consider memory requirements when fixing the independent parameter values (three currents and rotor angles). The linear interpolation option uses less memory, but the smooth interpolation option is more accurate for a given independent parameter spacing.
- The iron losses model assumes sinusoidal currents.

Ports

Conserving

a — A-phase connection

electrical

Electrical conserving port associated with the A-phase connection.

b – B-phase connection

electrical

Electrical conserving port associated with the B-phase connection.

c – C-phase connection

electrical

Electrical conserving port associated with the C-phase connection.

n – Neutral phase

electrical

Electrical conserving port associated with the neutral phase.

C – Motor case

mechanical

Mechanical rotational conserving port associated with the motor case.

R – Motor rotor

mechanical

Mechanical rotational conserving port associated with the motor rotor.

HA – Winding A thermal port

thermal

Thermal conserving port associated with winding A. For more information, see “Thermal Ports” on page 1-459.

HB – Winding B thermal port

thermal

Thermal conserving port associated with winding B. For more information, see “Thermal Ports” on page 1-459.

HC – Winding C thermal port

thermal

Thermal conserving port associated with winding C. For more information, see “Thermal Ports” on page 1-459.

HR – Rotor thermal port

thermal

Thermal conserving port associated with the rotor. For more information, see “Thermal Ports” on page 1-459.

Parameters**Electrical (2-D Partial Derivative Data Variant)**

This configuration of the **Electrical** parameters corresponds to the 2-D Partial Derivative Data block variants, with or without thermal ports. If you are using the 3-D Partial Derivative Data, 4-D Partial

Derivative Data, or 3-D Flux Linkage Data variant of the block, see “Electrical (3-D Partial Derivative Data Variant)” on page 1-464, “Electrical (4-D Partial Derivative Data Variant)” on page 1-466, or “Electrical (3-D Flux Linkage Data Variant)” on page 1-468 respectively.

Parameterization — Parameterization method

Assume constant mutual inductance - tabulate with phase current and rotor angle (default) | Assume sinusoidal back emf - tabulate with d- and q-axis currents

Select the parameterization method:

- Assume constant mutual inductance - tabulate with phase current and rotor angle — This method assumes that the flux linking each winding depends nonlinearly only on the current in that same winding, plus the rotor angle.
- Assume sinusoidal back emf - tabulate with d- and q-axis currents — This method assumes that the flux linking each winding depends nonlinearly on all stator winding currents. It also assumes that the permanent magnet flux linkage is sinusoidal. This option is usually a good fit for interior magnet PMSMs (or IPMSMs).

Winding type — Stator windings configuration

Wye-wound (default) | Delta-wound

Select the configuration for the stator windings:

- Wye-wound — The stator windings are wye-wound.
- Delta-wound — The stator windings are delta-wound. The *a*-phase is connected between ports **a** and **b**, the *b*-phase between ports **b** and **c** and the *c*-phase between ports **c** and **a**.

Current vector, **i** — Vector of currents

[-2, 0, 2] A (default)

Vector of currents corresponding to the provided flux linkage partial derivatives. The current vector must be two-sided (have positive and negative values).

Dependencies

This parameter is visible only when you set the **Parameterization** parameter to Assume constant mutual inductance - tabulate with phase current and rotor angle.

Rotor angle vector, **theta** — Vector of rotor angles

[0, 20, 40, 60] deg (default)

Vector of rotor angles corresponding to the provided flux linkage partial derivatives. The vector must start at zero. This value corresponds to the angle where the A-phase magnetic flux aligns with the rotor permanent magnetic peak flux direction (the direct-axis, or *d*-axis). The last value, θ_{\max} , must be the rotor angle where the flux linkage pattern peaks again. Therefore, the number of pole pairs is $360/\theta_{\max}$ if θ_{\max} is expressed in degrees. The default value corresponds to a 6 pole-pair motor.

Dependencies

This parameter is visible only when you set the **Parameterization** parameter to Assume constant mutual inductance - tabulate with phase current and rotor angle.

Flux linkage partial derivative wrt current, $d\Phi(i,\theta)/di$ – Flux linkage partial derivative with respect to current

$0.0002 * \text{ones}(3,4)$ Wb/A (default)

Matrix of the flux linkage partial derivatives with respect to current, defined as a function of current vector and rotor angle vector. Flux linkage is the flux multiplied by the number of winding turns. The default value corresponds to the special case where stator inductance does not depend on stator current or on rotor angle.

Dependencies

This parameter is visible only when you set the **Parameterization** parameter to Assume constant mutual inductance - tabulate with phase current and rotor angle.

Flux linkage partial derivative wrt angle, $d\Phi(i,\theta)/d\theta$ – Flux linkage partial derivative with respect to angle

$[0, -0.16, 0.16, 0; 0, -0.16, 0.16, 0; 0, -0.16, 0.16, 0]$ Wb/rad (default)

Matrix of the flux linkage partial derivatives with respect to rotor angle, defined as a function of current vector and rotor angle vector. Flux linkage is the flux multiplied by the number of winding turns. The default value is $[0, -0.16, 0.16, 0; 0, -0.16, 0.16, 0; 0, -0.16, 0.16, 0]$ Wb/rad, which corresponds to the special case where stator inductance does not depend on stator current.

Dependencies

This parameter is visible only when you set the **Parameterization** parameter to Assume constant mutual inductance - tabulate with phase current and rotor angle.

Direct axis current vector, i_d – Direct axis current vector

$[-200, 0, 200]$ A (default)

Vector of d -axis currents corresponding to the provided inductances. The current vector must be two-sided (have positive and negative values).

Dependencies

This parameter is visible only when you set the **Parameterization** parameter to Assume sinusoidal back emf - tabulate with d - and q -axis currents.

Quadrature axis current vector, i_q – Quadrature axis current vector

$[-200, 0, 200]$ A (default)

Vector of q -axis currents corresponding to the provided inductances. The current vector must be two-sided (have positive and negative values).

Dependencies

This parameter is visible only when you set the **Parameterization** parameter to Assume sinusoidal back emf - tabulate with d - and q -axis currents.

Ld matrix, $Ld(i_d, i_q)$ – Ld matrix

$0.0002 * \text{ones}(3,3)$ H (default)

Matrix of the d -axis inductances with respect to current, defined as a function of d -axis and q -axis current vectors.

Dependencies

This parameter is visible only when you set the **Parameterization** parameter to Assume sinusoidal back emf - tabulate with d- and q-axis currents.

Lq matrix, Lq(id,iq) – Lq matrix

0.0002*ones(3,3) H (default)

Matrix of the q -axis inductances with respect to current, defined as a function of d -axis and q -axis current vectors.

Dependencies

This parameter is visible only when you set the **Parameterization** parameter to Assume sinusoidal back emf - tabulate with d- and q-axis currents.

Permanent magnet flux linkage, PM(id,iq) – Permanent magnet flux linkage

0.1*ones(3,3) Wb (default)

Matrix of the permanent magnet flux linkages with respect to current, defined as a function of d -axis and q -axis current vectors. Flux linkage is the flux multiplied by the number of winding turns.

Dependencies

This parameter is visible only when you set the **Parameterization** parameter to Assume sinusoidal back emf - tabulate with d- and q-axis currents.

Number of pole pairs – Number of pole pairs

6 (default)

Number of the permanent magnet motor pole pairs.

Dependencies

This parameter is visible only when you set the **Parameterization** parameter to Assume sinusoidal back emf - tabulate with d- and q-axis currents.

Calculate torque matrix? – Electromagnetic torque data specification

Yes (default) | No – specify directly

Specify the way of providing the electromagnetic torque data:

- Yes – The block calculates the torque from the flux linkage information, as a function of current and rotor angle.
- No – specify directly – Enter the electromagnetic torque data directly, by using the **Torque matrix, T(i,theta)** parameter.

Dependencies

This parameter is visible only when you set the **Parameterization** parameter to Assume constant mutual inductance - tabulate with phase current and rotor angle. If you set the **Parameterization** parameter to Assume sinusoidal back emf - tabulate with d- and q-axis currents, the equation for torque is explicit in terms of the provided matrices.

Torque matrix, T(i,theta) – Torque matrix

zeros(3, 3, 3, 4) N*m (default)

Specify a matrix of the electromagnetic torque applied to the rotor, as a function of current and rotor angle. This parameter is visible only if **Calculate torque matrix?** is set to **No – specify directly**.

Dependencies

This parameter is visible only when you set the **Calculate torque matrix?** parameter to **No – specify directly**.

Interpolation method – Interpolation method

Linear Smooth (default)

Select one of the following interpolation methods for approximating the output value when the input value is between two consecutive grid points:

- **Linear** — Uses an extension of linear algorithm for multidimensional interpolation. Select this option to get the best performance.
- **Smooth** — Uses a modified Akima interpolation algorithm. Select this option to produce a continuous surface with continuous first-order derivatives.

For more information on interpolation methods, see the PS Lookup Table (2D) block reference page.

Stator resistance per phase, Rs – Stator resistance per phase

0.013 Ohm (default)

Resistance of each of the stator windings.

Stator mutual inductance, Ms – Stator mutual inductance

0.00002 H (default)

Stator-stator mutual inductance, which is assumed to be independent of both current and rotor angle.

Dependencies

This parameter is visible only when you set the **Parameterization** parameter to **Assume constant mutual inductance - tabulate with phase current and rotor angle**.

Stator zero-sequence inductance, L0 – Stator zero-sequence inductance

0.00016 H (default)

Zero-sequence inductance.

Dependencies

To enable this parameter, set **Parameterization** to **Assume sinusoidal back emf - tabulate with d- and q-axis currents**.

Electrical (3-D Partial Derivative Data Variant)

This configuration of the **Electrical** parameters corresponds to the 3-D Partial Derivative Data block variants, with or without thermal ports. If you are using the 2-D Partial Derivative Data, 4-D Partial Derivative Data, or 3-D Flux Linkage Data variant of the block, see “Electrical (2-D Partial Derivative Data Variant)” on page 1-460, “Electrical (4-D Partial Derivative Data Variant)” on page 1-466, or “Electrical (3-D Flux Linkage Data Variant)” on page 1-468 respectively.

Winding type – Stator windings configuration

Wye-wound (default) | Delta-wound

Select the configuration for the stator windings:

- **Wye-wound** — The stator windings are wye-wound.
- **Delta-wound** — The stator windings are delta-wound. The *a*-phase is connected between ports **a** and **b**, the *b*-phase between ports **b** and **c** and the *c*-phase between ports **c** and **a**.

Direct-axis current vector, i_D — Direct-axis current vector

$[-200, 0, 200]$ A (default)

Vector of direct-axis currents corresponding to the provided flux linkage partial derivatives. The current vector must be two-sided (have positive and negative values).

Quadrature-axis current vector, i_Q — Quadrature-axis current vector

$[-200, 0, 200]$ A (default)

Vector of quadrature-axis currents corresponding to the provided flux linkage partial derivatives. The current vector must be two-sided (have positive and negative values).

Rotor angle vector, θ — Rotor angle vector

$[0, 20, 40, 60]$ deg (default)

Vector of rotor angles corresponding to the provided flux linkage partial derivatives. The vector must start at zero. This value corresponds to the angle where the A-phase magnetic flux aligns with the rotor permanent magnetic peak flux direction (the direct-axis, or *d*-axis). The last value, θ_{\max} , must be the rotor angle where the flux linkage pattern peaks again. Therefore, the number of pole pairs is $360/\theta_{\max}$ if θ_{\max} is expressed in degrees. The default value corresponds to a 6 pole-pair motor.

A-phase flux linkage partial derivative wrt i_A , $d\Phi_A(i_D, i_Q, \theta)/di_A$ — A-phase flux linkage partial derivative with respect to i_A

$\text{zeros}(3, 3, 4)$ Wb/A (default)

Matrix of the A-phase flux linkage partial derivatives with respect to current in winding A, defined as a function of the two current vectors and the rotor angle vector. Flux linkage is the flux multiplied by the number of winding turns.

A-phase flux linkage partial derivative wrt i_B , $d\Phi_A(i_D, i_Q, \theta)/di_B$ — A-phase flux linkage partial derivative with respect to i_B

$\text{zeros}(3, 3, 4)$ Wb/A (default)

Matrix of the A-phase flux linkage partial derivatives with respect to current in winding B, defined as a function of the two current vectors and the rotor angle vector. Flux linkage is the flux multiplied by the number of winding turns.

A-phase flux linkage partial derivative wrt i_C , $d\Phi_A(i_D, i_Q, \theta)/di_C$ — A-phase flux linkage partial derivative with respect to i_C

$\text{zeros}(3, 3, 4)$ Wb/A (default)

Matrix of the A-phase flux linkage partial derivatives with respect to current in winding C, defined as a function of the two current vectors and the rotor angle vector. Flux linkage is the flux multiplied by the number of winding turns.

A-phase flux linkage partial derivative wrt angle, $d\Phi_A(i_D, i_Q, \theta)/d\theta$ — A-phase flux linkage partial derivative with respect to angle

$\text{zeros}(3, 3, 4)$ Wb/rad (default)

Matrix of the A-phase flux linkage partial derivatives with respect to rotor angle, defined as a function of the two current vectors and the rotor angle vector. Flux linkage is the flux multiplied by the number of winding turns.

Torque matrix, $T(iD, iQ, \theta)$ — Torque matrix

zeros(3, 3, 4) N*m (default)

Specify a matrix of the electromagnetic torque applied to the rotor, as a function of the two currents and the rotor angle.

Interpolation method — Interpolation method

Linear (default) | Smooth

Select one of the following interpolation methods for approximating the output value when the input value is between two consecutive grid points:

- **Linear** — Uses an extension of linear algorithm for multidimensional interpolation. Select this option to get the best performance.
- **Smooth** — Uses a modified Akima interpolation algorithm. Select this option to produce a continuous surface with continuous first-order derivatives.

For more information on interpolation methods, see the PS Lookup Table (3D) block reference page.

Stator resistance per phase, R_s — Stator resistance per phase

0.013 Ohm (default)

Resistance of each of the stator windings.

Electrical (4-D Partial Derivative Data Variant)

This configuration of the **Electrical** parameters corresponds to the 4-D Partial Derivative Data block variants, with or without thermal ports. If you are using the 2-D Partial Derivative Data, 3-D Partial Derivative Data, or 3-D Flux Linkage Data variant of the block, see “Electrical (2-D Partial Derivative Data Variant)” on page 1-460, “Electrical (3-D Partial Derivative Data Variant)” on page 1-464, or “Electrical (3-D Flux Linkage Data Variant)” on page 1-468 respectively.

Winding type — Stator windings configuration

Wye-wound (default) | Delta-wound

Select the configuration for the stator windings:

- **Wye-wound** — The stator windings are wye-wound.
- **Delta-wound** — The stator windings are delta-wound. The *a*-phase is connected between ports **a** and **b**, the *b*-phase between ports **b** and **c** and the *c*-phase between ports **c** and **a**.

A-phase current vector, iA — A-phase current vector

[-200, 0, 200] A (default)

Vector of A-phase currents corresponding to the provided flux linkage partial derivatives. The current vector must be two-sided (have positive and negative values).

B-phase current vector, iB — B-phase current vector

[-200, 0, 200] A (default)

Vector of B-phase currents corresponding to the provided flux linkage partial derivatives. The current vector must be two-sided (have positive and negative values).

C-phase current vector, i_C — C-phase current vector

$[-200, 0, 200]$ A (default)

Vector of C-phase currents corresponding to the provided flux linkage partial derivatives. The current vector must be two-sided (have positive and negative values).

Rotor angle vector, θ — Rotor angle vector

$[0, 20, 40, 60]$ deg (default)

Vector of rotor angles corresponding to the provided flux linkage partial derivatives. The vector must start at zero. This value corresponds to the angle where the A-phase magnetic flux aligns with the rotor permanent magnetic peak flux direction (the direct-axis, or d -axis). The last value, θ_{\max} , must be the rotor angle where the flux linkage pattern peaks again. Therefore, the number of pole pairs is $360/\theta_{\max}$ if θ_{\max} is expressed in degrees. The default value corresponds to a 6 pole-pair motor.

A-phase flux linkage partial derivative wrt i_A , $d\Phi_A(i_A, i_B, i_C, \theta)/di_A$ — A-phase flux linkage partial derivative with respect to i_A

$\text{zeros}(3, 3, 3, 4)$ Wb/A (default)

Matrix of the A-phase flux linkage partial derivatives with respect to current in winding A, defined as a function of the three current vectors and the rotor angle vector. Flux linkage is the flux multiplied by the number of winding turns.

A-phase flux linkage partial derivative wrt i_B , $d\Phi_A(i_A, i_B, i_C, \theta)/di_B$ — A-phase flux linkage partial derivative with respect to i_B

$\text{zeros}(3, 3, 3, 4)$ Wb/A (default)

Matrix of the A-phase flux linkage partial derivatives with respect to current in winding B, defined as a function of the three current vectors and the rotor angle vector. Flux linkage is the flux multiplied by the number of winding turns.

A-phase flux linkage partial derivative wrt i_C , $d\Phi_A(i_A, i_B, i_C, \theta)/di_C$ — A-phase flux linkage partial derivative with respect to i_C

$\text{zeros}(3, 3, 3, 4)$ Wb/A (default)

Matrix of the A-phase flux linkage partial derivatives with respect to current in winding C, defined as a function of the three current vectors and the rotor angle vector. Flux linkage is the flux multiplied by the number of winding turns.

A-phase flux linkage partial derivative wrt angle, $d\Phi_A(i_A, i_B, i_C, \theta)/d\theta$ — A-phase flux linkage partial derivative with respect to angle

$\text{zeros}(3, 3, 3, 4)$ Wb/rad (default)

Matrix of the A-phase flux linkage partial derivatives with respect to rotor angle, defined as a function of the three current vectors and the rotor angle vector. Flux linkage is the flux multiplied by the number of winding turns.

Torque matrix, $T(i_A, i_B, i_C, \theta)$ — Torque matrix

$\text{zeros}(3, 3, 3, 4)$ N*m (default)

Specify a matrix of the electromagnetic torque applied to the rotor, as a function of the three currents and the rotor angle.

Interpolation method — Interpolation method

Linear (default) | Smooth

Select one of the following interpolation methods for approximating the output value when the input value is between two consecutive grid points:

- **Linear** — Uses an extension of linear algorithm for multidimensional interpolation. Select this option to get the best performance.
- **Smooth** — Uses a modified Akima interpolation algorithm. Select this option to produce a continuous surface with continuous first-order derivatives.

For more information on interpolation methods, see the PS Lookup Table (3D) block reference page.

Stator resistance per phase, R_s — Stator resistance per phase

0.013 Ohm (default)

Resistance of each of the stator windings.

Electrical (3-D Flux Linkage Data Variant)

This configuration of the **Electrical** parameters corresponds to the 3-D Flux Linkage Data block variants, with or without thermal ports. If you are using the 2-D Partial Derivative Data, 3-D Partial Derivative Data, or 4-D Partial Derivative Data variant of the block, see “Electrical (2-D Partial Derivative Data Variant)” on page 1-460, “Electrical (3-D Partial Derivative Data Variant)” on page 1-464, or “Electrical (4-D Partial Derivative Data Variant)” on page 1-466, respectively.

Flux linkage data format — Flux linkage data format

D and Q axes flux linkages as a function of D-axis current (i_D), Q-axis current (i_Q), and rotor angle (θ) (default) | D and Q axes flux linkages as a function of peak current magnitude (I), current advance angle (B), and rotor angle (θ) | A-phase flux linkage as a function of D-axis current (i_D), Q-axis current (i_Q), and rotor angle (θ) | A-phase flux linkage as a function of peak current magnitude (I), current advance angle (B), and rotor angle (θ)

Select the flux linkage data format used by your FE tool:

- D and Q axes flux linkages as a function of D-axis current (i_D), Q-axis current (i_Q), and rotor angle (θ)
- D and Q axes flux linkages as a function of peak current magnitude (I), current advance angle (B), and rotor angle (θ)
- A-phase flux linkage as a function of D-axis current (i_D), Q-axis current (i_Q), and rotor angle (θ)
- A-phase flux linkage as a function of peak current magnitude (I), current advance angle (B), and rotor angle (θ)

Winding type — Stator windings configuration

Wye-wound (default) | Delta-wound

Select the configuration for the stator windings:

- **Wye-wound** — The stator windings are wye-wound.

- **Delta-wound** — The stator windings are delta-wound. The *a*-phase is connected between ports **a** and **b**, the *b*-phase between ports **b** and **c** and the *c*-phase between ports **c** and **a**.

Number of pole pairs — Number of pole pairs

4 (default)

Number of the permanent magnet motor pole pairs. The default value is 4.

Park's convention for tabulated data — Park's convention for tabulated data

Q leads D, rotor angle measured from A-phase to D-axis (default) | Q leads D, rotor angle measured from A-phase to Q-axis | D leads Q, rotor angle measured from A-phase to D-axis | D leads Q, rotor angle measured from A-phase to Q-axis

Select the order and reference angle for the Park transform mapping the given *dq* data to the three windings.

- Q leads D, rotor angle measured from A-phase to D-axis — Quadrature-direct transformation with angle measured with respect to *d* axis.
- Q leads D, rotor angle measured from A-phase to Q-axis — Quadrature-direct transformation with angle measured with respect to *q* axis.
- D leads Q, rotor angle measured from A-phase to D-axis — Direct-quadrature transformation with angle measured with respect to *d* axis.
- D leads Q, rotor angle measured from A-phase to Q-axis — Direct-quadrature transformation with angle measured with respect to *q* axis.

Direct-axis current vector, *iD* — Direct-axis current vector

[-200, 0, 200] A (default)

Vector of direct-axis currents at which the flux linkage is tabulated. The current vector must be two-sided (have positive and negative values).

Dependencies

This parameter is visible only when you set the **Flux linkage data format** parameter to D and Q axes flux linkages as a function of D-axis current (*iD*), Q-axis current (*iQ*), and rotor angle (*theta*) or A-phase flux linkage as a function of D-axis current (*iD*), Q-axis current (*iQ*), and rotor angle (*theta*).

Quadrature-axis current vector, *iQ* — Quadrature-axis current vector

[-200, 0, 200] A (default)

Vector of quadrature-axis currents at which the flux linkage is tabulated. The current vector must be two-sided (have positive and negative values).

Dependencies

This parameter is visible only when you set the **Flux linkage data format** parameter to D and Q axes flux linkages as a function of D-axis current (*iD*), Q-axis current (*iQ*), and rotor angle (*theta*) or A-phase flux linkage as a function of D-axis current (*iD*), Q-axis current (*iQ*), and rotor angle (*theta*).

Peak current magnitude vector, *I* — Peak current magnitude vector

[0, 100, 200] A (default)

Row vector of current magnitudes at which the flux linkage is tabulated. The first element must be zero. The adjacent current value should be small relative to the current values at which magnetic saturation begins to occur. This is because derived flux partial derivatives are ill-defined at zero current, and so are calculated at this first nonzero current instead.

Dependencies

This parameter is visible only when you set the **Flux linkage data format** parameter to D and Q axes flux linkages as a function of peak current magnitude (I), current advance angle (B), and rotor angle (theta) or A-phase flux linkage as a function of peak current magnitude (I), current advance angle (B), and rotor angle (theta).

Current advance angle, B — Current advance angle

[-180, -90, 0, 90, 180] deg (default)

Row vector of current advance angle values at which the flux linkage is tabulated. Current advance angle is defined as the angle by which the current leads the quadrature (Q) axis.

Dependencies

This parameter is visible only when you set the **Flux linkage data format** parameter to D and Q axes flux linkages as a function of peak current magnitude (I), current advance angle (B), and rotor angle (theta) or A-phase flux linkage as a function of peak current magnitude (I), current advance angle (B), and rotor angle (theta).

Rotor angle vector, theta — Rotor angle vector

[[0, 5, 10, 15, 20, 25, 30] deg (default)

Vector of rotor angles at which the flux linkage is tabulated. The vector must start at zero. This value corresponds to the angle where the A-phase magnetic flux aligns with the rotor permanent magnetic peak flux direction (the direct-axis, or *d*-axis). The last value, θ_{\max} , must be the rotor angle where the flux linkage pattern peaks again. Therefore, the number of pole pairs is $360/\theta_{\max}$ if θ_{\max} is expressed in degrees. The default value corresponds to a 4 pole-pair motor.

If **Flux linkage data format** is D and Q axes flux linkages as a function of D-axis current (*iD*), Q-axis current (*iQ*), and rotor angle (theta) or D and Q axes flux linkages as a function of peak current magnitude (I), current advance angle (B), and rotor angle (theta) (that is, if you tabulate D and Q flux linkage data), then the rotor angle vector must have four or more points and a range from 0 to $120/N$ degrees, where *N* is the number of pole pairs. If **Flux linkage data format** is A-phase flux linkage as a function of D-axis current (*iD*), Q-axis current (*iQ*), and rotor angle (theta) or A-phase flux linkage as a function of peak current magnitude (I), current advance angle (B), and rotor angle (theta) (that is, if you tabulate A-phase flux linkage data), then the rotor angle vector must have $3n+1$ points, where $n \geq 2$, and the range must be from 0 to $360/3/N$ degrees.

D-axis flux linkage, Fd(*iD*,*iQ*,theta) — D-axis flux linkage

zeros(3, 3, 7) Wb (default)

Matrix of the *d*-axis flux linkage, defined as a function of the *dq* currents, and the rotor angle vector. Flux linkage is the flux multiplied by the number of winding turns.

If your flux data is given in a different order, you can use the `permute` function to reorder it. For an example of this reordering, see the associated MATLAB script in “Import IPMSM Flux Linkage Data from ANSYS Maxwell”.

Dependencies

This parameter is visible only when you set the **Flux linkage data format** parameter to D and Q axes flux linkages as a function of D-axis current (`iD`), Q-axis current (`iQ`), and rotor angle (`theta`).

Q-axis flux linkage, $F_q(iD, iQ, \theta)$ – Q-axis flux linkage

`zeros(3, 3, 7) Wb (default)`

Matrix of the q -axis flux linkage, defined as a function of the dq currents, and the rotor angle vector. Flux linkage is the flux multiplied by the number of winding turns.

If your flux data is given in a different order, you can use the `permute` function to reorder it. For an example of this reordering, see the associated MATLAB script in “Import IPMSM Flux Linkage Data from ANSYS Maxwell”.

Dependencies

This parameter is visible only when you set the **Flux linkage data format** parameter to D and Q axes flux linkages as a function of D-axis current (`iD`), Q-axis current (`iQ`), and rotor angle (`theta`).

D-axis flux linkage, $F_d(I, B, \theta)$ – D-axis flux linkage

`zeros(3, 5, 7) Wb (default)`

3-D matrix of d -axis flux linkage values as a function of **Peak current magnitude vector, I**, **Current advance angle, B**, and **Rotor angle vector, theta**.

If your flux data is given in a different order, you can use the `permute` function to reorder it. For an example of this reordering, see the associated MATLAB script in “Import IPMSM Flux Linkage Data from ANSYS Maxwell”.

Dependencies

This parameter is visible only when you set the **Flux linkage data format** parameter to D and Q axes flux linkages as a function of peak current magnitude (`I`), current advance angle (`B`), and rotor angle (`theta`).

Q-axis flux linkage, $F_q(I, B, \theta)$ – Q-axis flux linkage

`zeros(3, 5, 7) Wb (default)`

3-D matrix of q -axis flux linkage values as a function of **Peak current magnitude vector, I**, **Current advance angle, B**, and **Rotor angle vector, theta**.

If your flux data is given in a different order, you can use the `permute` function to reorder it. For an example of this reordering, see the associated MATLAB script in “Import IPMSM Flux Linkage Data from ANSYS Maxwell”.

Dependencies

This parameter is visible only when you set the **Flux linkage data format** parameter to D and Q axes flux linkages as a function of peak current magnitude (`I`), current advance angle (`B`), and rotor angle (`theta`).

A-phase flux linkage, $F(iD, iQ, \theta)$ – A-phase flux linkage`zeros(3, 3, 7) Wb (default)`

3-D matrix of A-phase flux linkage values, as a function of the dq currents and the rotor angle.

If your flux data is given in a different order, you can use the `permute` function to reorder it. For an example of this reordering, see the associated MATLAB script in “Import IPMSM Flux Linkage Data from ANSYS Maxwell”.

Dependencies

This parameter is visible only when you set the **Flux linkage data format** parameter to A-phase flux linkage as a function of D-axis current (iD), Q-axis current (iQ), and rotor angle (θ).

A-phase flux linkage, $F(I, B, \theta)$ – A-phase flux linkage`zeros(3, 5, 7) Wb (default)`

3-D matrix of A-phase flux linkage values, as a function of **Peak current magnitude vector, I , Current advance angle, B , and Rotor angle vector, θ** .

If your flux data is given in a different order, you can use the `permute` function to reorder it. For an example of this reordering, see the associated MATLAB script in “Import IPMSM Flux Linkage Data from ANSYS Maxwell”.

Dependencies

This parameter is visible only when you set the **Flux linkage data format** parameter to A-phase flux linkage as a function of D-axis current (iD), Q-axis current (iQ), and rotor angle (θ).

Torque matrix, $T(iD, iQ, \theta)$ – Torque matrix`zeros(3, 3, 7) N*m (default)`

3-D matrix of the electromagnetic torque applied to the rotor, as a function of the dq currents and the rotor angle.

If your flux data is given in a different order, you can use the `permute` function to reorder it. For an example of this reordering, see the associated MATLAB script in “Import IPMSM Flux Linkage Data from ANSYS Maxwell”.

Dependencies

This parameter is visible only when you set the **Flux linkage data format** parameter to D and Q axes flux linkages as a function of D-axis current (iD), Q-axis current (iQ), and rotor angle (θ) or A-phase flux linkage as a function of D-axis current (iD), Q-axis current (iQ), and rotor angle (θ).

Torque matrix, $T(I, B, \theta)$ – Torque matrix`zeros(3, 5, 7) N*m (default)`

3-D matrix of the electromagnetic torque applied to the rotor, as a function of **Peak current magnitude vector, I , Current advance angle, B , and Rotor angle vector, θ** .

If your flux data is given in a different order, you can use the `permute` function to reorder it. For an example of this reordering, see the associated MATLAB script in “Import IPMSM Flux Linkage Data from ANSYS Maxwell”.

Dependencies

This parameter is visible only when you set the **Flux linkage data format** parameter to D and Q axes flux linkages as a function of peak current magnitude (I), current advance angle (B), and rotor angle (theta) or A-phase flux linkage as a function of peak current magnitude (I), current advance angle (B), and rotor angle (theta).

Interpolation method — Interpolation method

Linear (default) | Smooth

Select one of the following interpolation methods for approximating the output value when the input value is between two consecutive grid points:

- **Linear** — Uses an extension of linear algorithm for multidimensional interpolation. Select this option to get the best performance.
- **Smooth** — Uses a modified Akima interpolation algorithm. Select this option to produce a continuous surface with continuous first-order derivatives.

For more information on interpolation methods, see the PS Lookup Table (4D) block reference page.

Stator resistance per phase, Rs — Stator resistance per phase

0.013 Ohm (default)

Resistance of each of the stator windings.

Stator zero-sequence inductance, L0 — Stator zero-sequence inductance

0.00016 H (default)

Zero-sequence inductance.

Dependencies

To enable this parameter, set **Winding type** to Delta-Wound.

Iron Losses**Open-circuit iron losses, [P_hysteresis P_eddy P_excess] — Open-circuit iron losses**

[0.0, 0.0, 0.0] W (default)

Row vector, of length 3, of the open-circuit iron losses due to hysteresis, Eddy, and excess losses, respectively, at the frequency specified by **Electrical frequency at which losses determined**.

Short-circuit iron losses, [P_hysteresis P_eddy P_excess] — Short-circuit iron losses

[0.0, 0.0, 0.0] W (default)

Row vector, of length 3, of the short-circuit iron losses due to hysteresis, Eddy, and excess losses, respectively, at the frequency specified by **Electrical frequency at which losses determined**.

Electrical frequency at which losses determined — Electrical frequency at which losses determined

60 Hz (default)

Electrical frequency at which the open-circuit and short-circuit iron losses were measured.

Short-circuit RMS current for short-circuit iron losses – Short-circuit RMS current for short-circuit iron losses

95 A (default)

The resulting short-circuit RMS phase current when measuring the short-circuit losses.

Mechanical**Rotor inertia – Rotor inertia**0.01 kg*m² (default)

Inertia of the rotor attached to mechanical translational port **R**. The value can be zero.

Rotor damping – Rotor damping

0 N*m/(rad/s) (default)

Rotary damping.

Temperature Dependence

These parameters appear only for blocks with exposed thermal ports. For more information, see “Thermal Ports” on page 1-459.

Measurement temperature – Measurement temperature

298.15 K (default)

The temperature for which motor parameters are quoted.

Resistance temperature coefficient – Resistance temperature coefficient

3.93e-3 1/K (default)

Coefficient α in the equation relating resistance to temperature, as described in “Thermal Model for Actuator Blocks”. The default value is for copper.

Permanent magnet flux temperature coefficient – Permanent magnet flux temperature coefficient

-0.001 (default)

The fractional rate of change of permanent magnet flux density with temperature. It is used to linearly reduce the torque and the induced back EMF as temperature rises.

Thermal Port

These parameters appear only for blocks with exposed thermal ports. For more information, see “Thermal Ports” on page 1-459.

Thermal mass for each stator winding – Thermal mass for each stator winding

100 J/K (default)

The thermal mass value for the A, B, and C windings. The thermal mass is the energy required to raise the temperature by one degree.

Initial stator winding temperatures – Initial stator winding temperatures

[298.15, 298.15, 298.15] K (default)

A 1-by-3 row vector defining the temperature of the A, B, and C thermal ports at the start of simulation.

Rotor thermal mass — Rotor thermal mass

200 J/K (default)

The thermal mass of the rotor, that is, the energy required to raise the temperature of the rotor by one degree.

Rotor initial temperature — Rotor initial temperature

298.15 K (default)

The temperature of the rotor at the start of simulation.

Percentage of main flux path iron losses associated with the rotor — Percentage of main flux path iron losses associated with the rotor

90 (default)

The percentage of the main flux path iron losses associated with the magnetic path through the rotor. It determines how much of the iron loss heating is attributed to the rotor thermal port **HR**, and how much is attributed to the three winding thermal ports **HA**, **HB**, and **HC**.

Percentage of cross-tooth flux path iron losses associated with the rotor — Percentage of cross-tooth flux path iron losses associated with the rotor

30 (default)

The percentage of the cross-tooth flux path iron losses associated with the magnetic path through the rotor. It determines how much of the iron loss heating is attributed to the rotor thermal port **HR**, and how much is attributed to the three winding thermal ports **HA**, **HB**, and **HC**.

References

- [1] Mellor, P.H., R. Wrobel, and D. Holliday. "A computationally efficient iron loss model for brushless AC machines that caters for rated flux and field weakened operation." *IEEE Electric Machines and Drives Conference*. May 2009.

Extended Capabilities

C/C++ Code Generation

Generate C and C++ code using Simulink® Coder™.

See Also

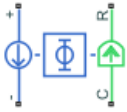
FEM-Parameterized Linear Actuator | FEM-Parameterized Rotary Actuator | ee_calculateFluxPartialDerivatives

Introduced in R2019b

FEM-Parameterized Rotary Actuator

Rotary actuator defined in terms of magnetic flux

Library: Simscape / Electrical / Electromechanical / Mechatronic Actuators



Description

The FEM-Parameterized Rotary Actuator block implements a model of a rotary actuator defined in terms of magnetic flux. Use this block to model custom rotary actuators and motors where magnetic flux depends on both rotor angle and current. You parameterize the block using data from a third-party Finite Element Magnetic (FEM) package.

The block has two options for the electrical equation. The first, **Define in terms of** $d\Phi(i, \theta)/d\theta$ and $d\Phi(i, \theta)/di$, defines the current in terms of partial derivatives of the magnetic flux (Φ) with respect to rotor angle (θ) and current (i), the equations for which are:

$$\frac{di}{dt} = \left(v - iR - \frac{\partial \Phi}{\partial \theta} \frac{d\theta}{dt} \right) / \frac{\partial \Phi}{\partial i}$$

The second option, **Define in terms of** $\Phi(i, \theta)$, defines the voltage across the component directly in terms of the flux, the equation for which is:

$$v = iR + \frac{d}{dt} \Phi(\theta, i)$$

Numerically, defining the electrical equation in terms of flux partial derivatives is better because the back-emf is piecewise continuous. If using the flux directly, using a finer grid size for current and position will improve results, as will selecting cubic or spline interpolation.

In both cases, you have an option to either directly specify the torque as a function of current and rotor angle, by using the **Torque matrix, $T(i, \theta)$** parameter, or have the block automatically calculate the torque matrix.

If entering the electromagnetic torque data directly, you can either use data supplied by the finite element magnetic package (which you used to determine the flux) or calculate the torque from the flux with following equation:

$$T = \int_0^i \frac{\partial \Phi(\theta, i)}{\partial \theta} di$$

See the Finite Element Parameterized Solenoid example model and its initialization file `ee_fem_solenoid_ini.m` for an example of how to implement this type of integration in MATLAB.

Alternatively, the block can automatically calculate the torque matrix from the flux information that you provide. To select this option, set the **Calculate torque matrix?** parameter to **Yes**. The torque

matrix calculation occurs at model initialization based on current block flux linkage information. The torque is calculated by numerically integrating the rate of change of flux linkage with respect to angle over current, according to the preceding equation. If the **Electrical model** parameter is set to **Define in terms of $\Phi(i, \theta)$** , then the block must first estimate the **Flux partial derivative wrt angle, $\Phi(i, \theta)/d\theta$** parameter value from the flux linkage data. When doing this, the block uses the interpolation method specified by the **Interpolation method** parameter. Typically, the **Smooth** option is most accurate, but the **Linear** option is most robust.

You can define Φ and its partial derivatives for just positive, or positive and negative currents. If defining for just positive currents, then the block assumes that $\Phi(-i, x) = -\Phi(i, x)$. Therefore, if the current vector is positive only:

- The first current value must be zero.
- The flux corresponding to zero current must be zero.
- The partial derivative of flux with respect to rotor angle must be zero for zero current.

To model a rotary motor with a repeated flux pattern, set the **Flux dependence on displacement** parameter to **Cyclic**. When selecting this option, the torque and flux (or torque and flux partial derivatives depending on the option chosen) must have identical first and last columns.

Thermal Port

The block has an optional thermal port, hidden by default. To expose the thermal port, right-click the block in your model, and then from the context menu select **Simscape > Block choices > Show thermal port**. This action displays the thermal port **H** on the block icon, and exposes the **Temperature Dependence** and **Thermal Port** parameters.

Use the thermal port to simulate the effects of copper resistance losses that convert electrical power to heat. For more information on using thermal ports and on the **Temperature Dependence** and **Thermal Port** parameters, see “Simulating Thermal Effects in Rotational and Translational Actuators”.

Assumptions and Limitations

- You must supply a consistent set of torque and flux data. There is no check to ensure that the torque matrix is consistent with the flux data.
- When driving the FEM-Parameterized Rotary Actuator block via a series inductor, you may need to include a parallel conductance in the inductor component.

Ports

Conserving

+ – Positive terminal

electrical

Electrical conserving port associated with the actuator positive terminal.

- – Negative terminal

electrical

Electrical conserving port associated with the actuator negative terminal.

C – Case

mechanical

Mechanical rotational conserving port associated with the actuator case.

R – Rotor

mechanical

Mechanical rotational conserving port associated with the rotor.

H – Thermal port

thermal

Thermal port. For more information, see “Thermal Port” on page 1-477.

Parameters**Magnetic Force****Electrical model – Electrical model parameterization**

Define in terms of $d\Phi(i,\theta)/d\theta$ and $d\Phi(i,\theta)/di$ (default) | Define in terms of $\Phi(i,\theta)$

Select one of the following parameterization options, based on the underlying electrical model:

- Define in terms of $d\Phi(i,\theta)/d\theta$ and $d\Phi(i,\theta)/di$ — Define the current through the block in terms of partial derivatives of the magnetic flux with respect to distance and current.
- Define in terms of $\Phi(i,\theta)$ — Define the voltage across the block terminals directly in terms of the flux.

Current vector, i – Current vector

[0, .2, .4, .6, .8, 1] A (default)

Specify a vector of monotonically increasing current values corresponding to your torque-flux data. If you specify positive currents only, the first element must be zero.

Angle vector, theta – Angle vector

[0, 10, 20, 30, 40, 50, 60, 70, 80, 90, 100, 110, 120, 130, 140, 150, 160, 170, 180] deg (default)

Specify a vector of monotonically increasing rotor angle values corresponding to your torque-flux data.

Flux partial derivative wrt current, $d\Phi(i,\theta)/di$ – Flux partial derivative with respect to current

[.002, .0024, .0035, .0052, .0074, .0096, .0118, .0135, .0146, .015, .0146, .0135, .0118, .0096, .0074, .0052, .0035, .0024, .002; .002, .0024, .0035, .0052, .0074, .0096, .0118, .0135, .0146, .015, .0146, .0135, .0118, .0096, .0074, .0052, .0035, .0024, .002; .002, .0024, .0035, .0052, .0074, .0096, .0118, .0135, .0146, .015, .0146, .0135, .0118, .0096, .0074, .0052, .0035, .0024, .002; .002, .0024, .0035, .0052, .0074, .0096, .0118, .0135, .0146, .015, .0146, .0135, .0118, .0096, .0074, .0052, .0035, .0024, .002; .002, .0024, .0035, .0052, .0074, .0096, .0118, .0135, .0146, .015, .0146, .0135, .0118, .0096, .0074, .0052, .0035, .0024, .002]

```
0074, .0052, .0035, .0024, .002; .002, .0024, .0035, .0052, .0074, .0096, .01
18, .0135, .0146, .015, .0146, .0135, .0118, .0096, .0074, .0052, .0035, .002
4, .002] Wb/A (default)
```

Specify a matrix of the flux partial derivatives with respect to current. This parameter is visible only if **Electrical model** is set to Define in terms of $d\Phi(i, \theta)/d\theta$ and $d\Phi(i, \theta)/di$. The default value, in Wb/A, is:

```
[ 0.002 0.0024 0.0035 0.0052 0.0074 0.0096 0.0118 0.0135 0.0146 ...
  0.015 0.0146 0.0135 0.0118 0.0096 0.0074 0.0052 0.0035 0.0024 0.002;
  0.002 0.0024 0.0035 0.0052 0.0074 0.0096 0.0118 0.0135 0.0146 ...
  0.015 0.0146 0.0135 0.0118 0.0096 0.0074 0.0052 0.0035 0.0024 0.002;
  0.002 0.0024 0.0035 0.0052 0.0074 0.0096 0.0118 0.0135 0.0146 ...
  0.015 0.0146 0.0135 0.0118 0.0096 0.0074 0.0052 0.0035 0.0024 0.002;
  0.002 0.0024 0.0035 0.0052 0.0074 0.0096 0.0118 0.0135 0.0146 ...
  0.015 0.0146 0.0135 0.0118 0.0096 0.0074 0.0052 0.0035 0.0024 0.002;
  0.002 0.0024 0.0035 0.0052 0.0074 0.0096 0.0118 0.0135 0.0146 ...
  0.015 0.0146 0.0135 0.0118 0.0096 0.0074 0.0052 0.0035 0.0024 0.002; ]
```

Dependencies

This parameter is visible only when you set the **Electrical model** parameter to Define in terms of $d\Phi(i, \theta)/d\theta$ and $d\Phi(i, \theta)/di$.

Flux partial derivative wrt angle, $d\Phi(i, \theta)/d\theta$ — Flux partial derivative with respect to angle

```
[0, 0, 0, 0, 0, 0, 0, 0, 0, 0, 0, 0, 0, 0, 0, 0, 0, 0;
0, .0009, .0017, .0023, .0026, .0026, .0023, .0017, .0009, 0, -.0009, -.0017,
-.0023, -.0026, -.0026, -.0023, -.0017, -.0009, 0;
0, .0018, .0033, .0045, .0051, .0051, .0045, .0033, .0018, 0, -.0018, -.0033,
-.0045, -.0051, -.0051, -.0045, -.0033, -.0018, 0;
0, .0027, .005, .0068, .0077, .0077, .0068, .005, .0027, 0, -.0027, -.005,
-.0068, -.0077, -.0077, -.0068, -.005, -.0027, 0;
0, .0036, .0067, .009, .0102, .0102, .009, .0067, .0036, 0, -.0036, -.0067,
-.009, -.0102, -.0102, -.009, -.0067, -.0036, 0;
0, .0044, .0084, .0113, .0128, .0128, .0113, .0084, .0044, 0, -.0044, -.0084,
-.0113, -.0128, -.0128, -.0113, -.0084, -.0044, 0] Wb/rad (default)
```

Specify a matrix of the flux partial derivatives with respect to rotor angle. This parameter is visible only if **Electrical model** is set to Define in terms of $d\Phi(i, \theta)/d\theta$ and $d\Phi(i, \theta)/di$. The default value, in Wb/rad, is:

```
[ 0 0 0 0 0 0 0 0 0 0 0 0 0 0 0 0 0 0;
 0 9e-4 0.0017 0.0023 0.0026 0.0026 0.0023 0.0017 9e-4 ...
  0 -9e-4 -0.0017 -0.0023 -0.0026 -0.0026 -0.0023 -0.0017 -9e-4 0;
 0 0.0018 0.0033 0.0045 0.0051 0.0051 0.0045 0.0033 0.0018 ...
  0 -0.0018 -0.0033 -0.0045 -0.0051 -0.0051 -0.0045 -0.0033 -0.0018 0;
 0 0.0027 0.005 0.0068 0.0077 0.0077 0.0068 0.005 0.0027 ...
  0 -0.0027 -0.005 -0.0068 -0.0077 -0.0077 -0.0068 -0.005 -0.0027 0;
 0 0.0036 0.0067 0.009 0.0102 0.0102 0.009 0.0067 0.0036 ...
  0 -0.0036 -0.0067 -0.009 -0.0102 -0.0102 -0.009 -0.0067 -0.0036 0;
 0 0.0044 0.0084 0.0113 0.0128 0.0128 0.0113 0.0084 0.0044 ...
  0 -0.0044 -0.0084 -0.0113 -0.0128 -0.0128 -0.0113 -0.0084 -0.0044 0 ]
```

Dependencies

This parameter is visible only when you set the **Electrical model** parameter to Define in terms of $d\Phi(i, \theta)/d\theta$ and $d\Phi(i, \theta)/di$.

Flux linkage matrix, $\Phi(i, \theta)$ — Flux linkage matrix

```
[0, 0, 0, 0, 0, 0, 0, 0, 0, 0, 0, 0, 0, 0, 0, 0, 0, 0,
0; .0004, .00048, .0007, .00105, .00147, .00193, .00235, .0027, .00292, .003,
```

```
.00292, .0027, .00235, .00193, .00147, .00105, .0007, .00048, .0004; .0008, .
00096, .00141, .0021, .00295, .00385, .0047, .00539, .00584, .006, .00584, .0
0539, .0047, .00385, .00295, .0021, .00141, .00096, .0008; .0012, .00144, .00
211, .00315, .00442, .00578, .00705, .00809, .00876, .009, .00876, .00809, .0
0705, .00578, .00442, .00315, .00211, .00144, .0012; .0016, .00191, .00282, .
0042, .0059, .0077, .0094, .01078, .01169, .012, .01169, .01078, .0094, .0077
, .0059, .0042, .00282, .00191, .0016; .002, .00239, .00352, .00525, .00737,
.00963, .01175, .01348, .01461, .015, .01461, .01348, .01175, .00963, .00737,
.00525, .00352, .00239, .002] Wb (default)
```

Specify a matrix of the total flux linkage, that is, flux times the number of turns. This parameter is visible only if **Electrical model** is set to Define in terms of $\Phi(i, \theta)$. The default value, in Wb, is:

```
[ 0 0 0 0 0 0 0 0 0 0 0 0 0 0 0 0 0 0 0 0 0 0;
 4e-4 4.8e-4 7e-4 0.00105 0.00147 0.00193 0.00235 0.0027 0.00292 ...
 0.003 0.00292 0.0027 0.00235 0.00193 0.00147 0.00105 7e-4 4.8e-4 4e-4;
 8e-4 9.6e-4 0.00141 0.0021 0.00295 0.00385 0.0047 0.00539 0.00584 ...
 0.006 0.00584 0.00539 0.0047 0.00385 0.00295 0.0021 0.00141 9.6e-4 8e-4;
 0.0012 0.00144 0.00211 0.00315 0.00442 0.00578 0.00705 0.00809 0.00876 ...
 0.009 0.00876 0.00809 0.00705 0.00578 0.00442 0.00315 0.00211 0.00144 0.0012;
 0.0016 0.00191 0.00282 0.0042 0.0059 0.0077 0.0094 0.01078 0.01169 ...
 0.012 0.01169 0.01078 0.0094 0.0077 0.0059 0.0042 0.00282 0.00191 0.0016;
 0.002 0.00239 0.00352 0.00525 0.00737 0.00963 0.01175 0.01348 0.01461 ...
 0.015 0.01461 0.01348 0.01175 0.00963 0.00737 0.00525 0.00352 0.00239 0.002 ]
```

Dependencies

This parameter is visible only when you set the **Electrical model** parameter to Define in terms of $\Phi(i, \theta)$.

Calculate torque matrix? — Electromagnetic torque data specification

No — specify directly (default) | Yes

Specify the way of providing the electromagnetic torque data:

- No — specify directly — Enter the electromagnetic torque data directly, by using the **Torque matrix, $T(i, \theta)$** parameter.
- Yes — The block calculates the torque from the flux linkage information, as a function of current and rotor angle.

Torque matrix, $T(i, \theta)$ — Torque matrix

```
[0, 0, 0, 0, 0, 0, 0, 0, 0, 0, 0, 0, 0, 0, 0, 0, 0, 0, 0, 0, 0, 0;
0, .0889, .1671, .2252, .2561, .2561, .2252, .1671, .0889, 0, -.0889, -.1671,
-.2252, -.2561, -.2561, -.2252, -.1671, -.0889, 0; 0, .3557, .6685, .9007,
1.0242, 1.0242, .9007, .6685, .3557, 0, -.3557, -.6685, -.9007, -1.0242,
-1.0242, -.9007, -.6685, -.3557, 0; 0, .8003, 1.5041, 2.0265, 2.3045, 2.3045,
2.0265, 1.5041, .8003, 0, -.8003, -1.5041, -2.0265, -2.3045, -2.3045,
-2.0265, -1.5041, -.8003, 0; 0, 1.4228, 2.674, 3.6027, 4.0968, 4.0968,
3.6027, 2.674, 1.4228, 0, -1.4228, -2.674, -3.6027, -4.0968, -4.0968,
-3.6027, -2.674, -1.4228, 0; 0, 2.2231, 4.1781, 5.6292, 6.4013, 6.4013,
5.6292, 4.1781, 2.2231, 0, -2.2231, -4.1781, -5.6292, -6.4013, -6.4013,
-5.6292, -4.1781, -2.2231, 0] mN*m (default)
```

Specify a matrix of the electromagnetic torque applied to the rotor. This parameter is visible only if **Calculate torque matrix?** is set to No — specify directly. The default value, in mN*m, is:

```
[ 0 0 0 0 0 0 0 0 0 0 0 0 0 0 0 0 0 0 0 0 0 0;
 0 0.0889 0.1671 0.2252 0.2561 0.2561 0.2252 0.1671 0.0889 ...
```



```

    0 -0.0889 -0.1671 -0.2252 -0.2561 -0.2561 -0.2252 -0.1671 -0.0889 0;
0 0.3557 0.6685 0.9007 1.0242 1.0242 0.9007 0.6685 0.3557 ...
    0 -0.3557 -0.6685 -0.9007 -1.0242 -1.0242 -0.9007 -0.6685 -0.3557 0;
0 0.8003 1.5041 2.0265 2.3045 2.3045 2.0265 1.5041 0.8003 ...
    0 -0.8003 -1.5041 -2.0265 -2.3045 -2.3045 -2.0265 -1.5041 -0.8003 0;
0 1.4228 2.674 3.6027 4.0968 4.0968 3.6027 2.674 1.4228 ...
    0 -1.4228 -2.674 -3.6027 -4.0968 -4.0968 -3.6027 -2.674 -1.4228 0;
0 2.2231 4.1781 5.6292 6.4013 6.4013 5.6292 4.1781 2.2231 ...
    0 -2.2231 -4.1781 -5.6292 -6.4013 -6.4013 -5.6292 -4.1781 -2.2231 0 ]

```

Dependencies

This parameter is visible only when you set the **Calculate torque matrix?** parameter to No – specify directly.

Flux dependence on displacement – Flux pattern

Unique (default) | Cyclic

Specify the flux pattern:

- **Unique** — No flux pattern present.
- **Cyclic** — Select this option to model a linear motor with a repeated flux pattern. The force and flux (or force and flux partial derivatives, depending on the **Electrical model** option chosen) must have identical first and last columns.

Interpolation method – Interpolation method

Linear (default) | Smooth

Select one of the following interpolation methods for approximating the output value when the input value is between two consecutive grid points:

- **Linear** — Select this option to get the best performance.
- **Smooth** — Select this option to produce a continuous surface with continuous first-order derivatives.

For more information on interpolation algorithms, see the PS Lookup Table (2D) block reference page.

Extrapolation method – Extrapolation method

Linear (default) | Nearest

Select one of the following extrapolation methods for determining the output value when the input value is outside the range specified in the argument list:

- **Linear** — Select this option to produce a surface with continuous first-order derivatives in the extrapolation region and at the boundary with the interpolation region.
- **Nearest** — Select this option to produce an extrapolation that does not go above the highest point in the data or below the lowest point in the data.

For more information on extrapolation algorithms, see the PS Lookup Table (2D) block reference page.

Dependencies

This parameter is visible only when you set the **Flux dependence on displacement** parameter to Unique.

Winding resistance – Electrical winding total resistance

14 Ohm (default)

Total resistance of the electrical winding.

Mechanical

Damping – Rotary damping

0.0001 N*m/(rad/s) (default)

Rotary damping. The value can be zero.

Rotor inertia – Rotor inertia

0.00005 kg*m² (default)

Inertia of the rotor attached to mechanical translational port **R**. The value can be zero.

Minimum rotor angle – Minimum rotor angle

-Inf deg (default)

The rotor angle at which the lower mechanical end stop is applied.

Maximum rotor angle – Maximum rotor angle

Inf deg (default)

The rotor angle at which the upper mechanical end stop is applied.

Initial rotor angle – Initial rotor angle

0 deg (default)

Position of the rotor at the start of the simulation

Initial rotor velocity – Initial rotor velocity

0 deg/s (default)

Angular velocity of the rotor at the start of the simulation.

Contact stiffness – Contact stiffness

1e8 N*m/rad (default)

Contact stiffness between rotor and end stops.

Contact damping – Contact damping

1e4 N*m/(rad/s) (default)

Contact damping between rotor and end stops.

Temperature Dependence

This tab appears only for blocks with exposed thermal port. For more information, see “Thermal Port” on page 1-477.

Resistance temperature coefficient – Resistance temperature coefficient

3.93e-3 1/K (default)

Resistance temperature coefficient.

Measurement temperature – Measurement temperature

25 degC (default)

The temperature for which the actuator parameters are defined.

Thermal Port

This tab appears only for blocks with exposed thermal port. For more information, see “Thermal Port” on page 1-477.

Thermal mass – Thermal mass

100 J/K (default)

The thermal mass is the energy required to raise the temperature by one degree.

Initial temperature – Initial temperature

25 degC (default)

Temperature of the thermal port at the start of simulation.

Extended Capabilities**C/C++ Code Generation**

Generate C and C++ code using Simulink® Coder™.

See Also

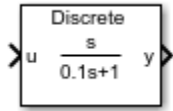
FEM-Parameterized Linear Actuator | FEM-Parameterized PMSM | Solenoid

Introduced in R2010a

Filtered Derivative (Discrete or Continuous)

Discrete-time or continuous-time filtered derivative

Library: Simscape / Electrical / Control / General Control



Description

The Filtered Derivative (Discrete or Continuous) block implements a filtered derivative in conformance with IEEE 421.5-2016^[1].

You can switch between continuous and discrete implementations of the derivative using the **Sample time** parameter.

Equations

Continuous

To configure the filtered derivative for continuous time, set the **Sample time** property to 0. This representation is equivalent to the continuous transfer function:

$$G(s) = \frac{Ks}{Ts + 1},$$

where:

- K is the gain.
- T is the time constant.

From the preceding transfer function, the derivative defining equations are:

$$\begin{cases} \dot{x}(t) = \frac{1}{T}(Ku(t) - x(t)) \\ y(t) = \frac{1}{T}(Ku(t) - x(t)) \end{cases} \quad x(0) = u_0, y(0) = 0,$$

where:

- u is the block input.
- x is the state.
- y is the block output.
- t is the simulation time.
- u_0 is the initial input to the block.

Discrete

To configure the filtered derivative for discrete time, set the **Sample time** property to a positive, nonzero value, or to -1 to inherit the sample time from an upstream block. The discrete representation is equivalent to the transfer function:

$$\left(\frac{K}{T}\right)\frac{z-1}{z+T_s/T-1},$$

where:

- K is the gain.
- T is the time constant.
- T_s is the sample time.

From the discrete transfer function, the derivative equations are defined using the forward Euler method:

$$\begin{cases} x(n+1) = \left(1 - \frac{T_s}{T}\right)x(n) + \left(\frac{T_s}{T}\right)u(n) \\ y(n) = \frac{K}{T}(u(n) - x(n)) \end{cases} \quad x(0) = u_0, y(0) = 0,$$

where:

- u is the block input.
- x is the block state.
- y is the block output.
- n is the simulation time step.
- u_0 is the initial input to the block.

Initial Conditions

To specify the initial conditions of this block, set **Initialization** to:

- **Inherited from block input** — The block sets the state initial condition to the initial input, making the initial output zero.
- **Specify as parameter** — The block sets the state initial condition to the value of **Initial state**.

Limiting the Output

Limit the filtered derivative output by setting the **Upper saturation limit** and **Lower saturation limit** parameters to finite values.

Unlike other common blocks given in IEEE 421.5-2016, there is no difference between the windup and anti-windup saturation methods for the filtered derivative. The output can respond immediately to a reversal of the input sign when the output is saturated.

Ports

Input

u — Derivative input

vector

Filtered derivative input signal. The block uses the input initial value to determine the state initial value.

Data Types: `single` | `double`

Output

y — Derivative output

vector

Filtered derivative output signal.

Data Types: `single` | `double`

Parameters

Gain — Derivative gain

1 (default) | positive number

Filtered derivative gain.

Time constant — Derivative time constant

0.1 (default) | positive number

Filtered derivative time constant. For acceptable accuracy, set this value at least 10 times greater than the **Sample time**.

Upper saturation limit — Output upper limit

`inf` (default) | real number

Filtered derivative upper output limit. Set this to `inf` for an unsaturated upper limit.

Lower saturation limit — Output lower limit

`-inf` (default) | real number

Filtered derivative lower output limit. Set this to `-inf` for an unsaturated lower limit.

Minimum sample time to time constant ratio — Discrete ratio

10 (default) | real number

Minimum acceptable sample time to time constant ratio. As the sample time approaches the time constant, the accuracy of the block decreases. Use this parameter to set the tolerance of this ratio.

Initialization — Initial state specification

Inherited from block input (default) | Specify as parameter

Specify the initial state condition for this block. For more information, see “Initial Conditions” on page 1-485.

Initial state – Initial state

0 (default) | real number

Block initial state.

DependenciesTo enable this parameter, set **Initialization to Specify as** parameter.**Sample time (-1 for inherited) – Block sample time**

-1 (default) | positive number

Time between consecutive block executions. During execution, the block produces outputs and, if appropriate, updates its internal state. For more information, see “What Is Sample Time?” and “Specify Sample Time”.

For inherited discrete-time operation, specify -1. For discrete-time operation, specify a positive integer. For continuous-time operation, specify 0.

For acceptable accuracy, set this value at least 10 times smaller than the **Time constant** parameter.

If this block is in a masked subsystem, or other variant subsystem that allows either continuous and discrete operation, promote the sample time parameter. Promoting the sample time parameter ensures correct switching between the continuous and discrete implementations of the block. For more information, see “Promote Parameter to Mask”.

References

[1] IEEE. 2016. *IEEE Recommended Practice for Excitation System Models for Power System Stability Studies*. IEEE Std 421.5-2016. Piscataway, NJ: IEEE-SA, 2016.

Extended Capabilities**C/C++ Code Generation**

Generate C and C++ code using Simulink® Coder™.

See Also**Blocks**

Integrator (Discrete or Continuous) | Integrator with Wrapped State (Discrete or Continuous) | Lead-Lag (Discrete or Continuous) | Low-Pass Filter (Discrete or Continuous) | Washout (Discrete or Continuous)

Introduced in R2017b

Finite-Gain Op-Amp

Gain-limited operational amplifier model with optional noise
Library: Simscape / Electrical / Integrated Circuits



Description

The Finite-Gain Op-Amp block models a gain-limited operational amplifier. If the voltages at the positive and negative ports are V_p and V_m , respectively, the output voltage is:

$$V_{out} = A(V_p - V_m) - I_{out} * R_{out}$$

where:

- A is the gain.
- R_{out} is the output resistance.
- I_{out} is the output current.

The input current is:

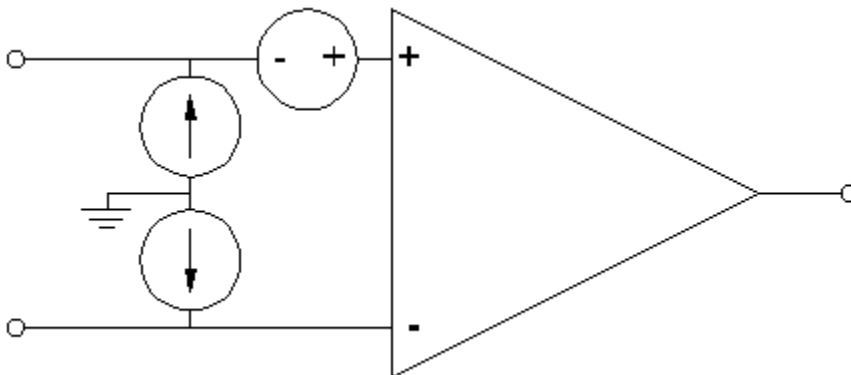
$$\frac{V_p - V_m}{R_{in}}$$

where R_{in} is the input resistance.

The output voltage is limited by the minimum and maximum output values you specify in the block dialog box.

Thermal Noise

The Finite-Gain Op-Amp block can generate thermal noise. If you set the **Noise mode** parameter to Enabled, then the equivalent circuit for the block includes a noise current source attached to each of the inputs, and a noise voltage source attached to the noninverting input. These three noise sources are independent and uncorrelated.



The block generates noise voltage and current according to:

$$v_{noise} = \frac{v_{density}}{\sqrt{2h}}N(0, 1)$$

$$i_{noise} = \frac{i_{density}}{\sqrt{2h}}N(0, 1)$$

where:

- v_{noise} is the noise voltage.
- $v_{density}$ is the single-sided, spectral amplitude density of the voltage noise.
- i_{noise} is the noise current at an input.
- $i_{density}$ is the single-sided, spectral amplitude density of the current noise applied to that input.
- h is the sampling time.
- N is a Gaussian random number with zero mean and standard deviation of one.

The block generates Gaussian noise by using the PS Random Number source in the Simscape Foundation library. You can control the random number seed by setting the **Repeatability** parameter:

- **Not repeatable** — Every time you simulate your model, the block resets the random seed using the MATLAB random number generator:

```
seed = randi(2^32-1);
```

- **Repeatable** — The block automatically generates a seed value and stores it inside the block, to always start the simulation with the same random number. This auto-generated seed value is set when you add a Finite-Gain Op-Amp block from the block library to the model. When you make a new copy of the Finite-Gain Op-Amp block from an existing one in a model, a new seed value is generated. The block sets the value using the MATLAB random number generator command shown above.
- **Specify seed** — If you select this option, additional parameters let you directly specify the random number seed values for input voltage, noninverting input current, and inverting input current.

Ports

Conserving

+ — Positive electrical voltage

electrical

Electrical conserving port associated with the op-amp noninverting input.

- — Negative electrical voltage

electrical

Electrical conserving port associated with the op-amp inverting input.

out — Output voltage

electrical

Electrical conserving port associated with the op-amp output. The port name is hidden on the block icon, but you can see it in simulation data logs.

Parameters

Main

Gain, A — Open-loop gain

1000 (default)

The open-loop gain of the operational amplifier.

Input resistance, Rin — Resistance at block input

1e6 Ohm (default)

The resistance at the input of the operational amplifier that the block uses to calculate the input current.

Output resistance, Rout — Resistance at block output

100 Ohm (default)

The resistance at the output of the operational amplifier that the block uses to calculate the drop in output voltage due to output current.

Minimum output, Vmin — Output voltage lower limit

-15 V (default)

The lower limit on the operational amplifier output voltage.

Maximum output, Vmax — Output voltage upper limit

15 V (default)

The upper limit on the operational amplifier output voltage.

Noise

Noise mode — Select whether op-amp generates thermal noise

Disabled (default) | Enabled

Select whether to model thermal noise effects:

- **Disabled** — Op-amp does not generate thermal noise.
- **Enabled** — Op-amp generates thermal noise voltage and current, and the associated parameters become visible in the **Noise** section.

Input noise voltage density — Density of voltage noise

30e-9 V/Hz^{0.5} (default)

Single-sided, spectral amplitude density of the voltage noise applied to the noninverting input.

Dependencies

Enabled when the **Noise mode** parameter is set to Enabled.

Noise current parameterization – Select whether noise current density is different or the same for both inputs

Apply same density function to both inputs (default) | Apply different density function to each input

Select whether current density values applied to block inputs are different or the same.

Dependencies

Enabled when the **Noise mode** parameter is set to Enabled.

Input noise current density – Current noise at both inputs

0.5e-12 A/Hz^{0.5} (default)

Single-sided, spectral amplitude density of the current noise applied to both inputs. Note that even though the density function is the same for both inputs, the actual noise current also depends on the random number seed. If the seeds used for the random number generation are different, then the actual noise currents at the inputs are also different.

Dependencies

Enabled when the **Noise current parameterization** parameter is set to Apply same density function to both inputs.

Noninverting input noise current density – Current noise at noninverting input

0.5e-12 A/Hz^{0.5} (default)

Single-sided, spectral amplitude density of the current noise applied to noninverting input.

Dependencies

Enabled when the **Noise current parameterization** parameter is set to Apply different density function to each input.

Inverting input noise current density – Current noise at inverting input

0.5e-12 A/Hz^{0.5} (default)

Single-sided, spectral amplitude density of the current noise applied to inverting input.

Dependencies

Enabled when the **Noise current parameterization** parameter is set to Apply different density function to each input.

Sample time – Rate at which the noise source is sampled

1e-3 s (default)

Defines the rate at which the noise source is sampled. Choose it to reflect the frequencies of interest in your model. Making the sample time too small will unnecessarily slow down your simulation.

Dependencies

Enabled when the **Noise mode** parameter is set to Enabled.

Repeatability – Select the noise control option

Not repeatable (default) | Repeatable | Specify seed

Select the noise control option:

- **Not repeatable** — The random sequence used for noise generation is not repeatable.
- **Repeatable** — The random sequence used for noise generation is repeatable, with a system-generated seed.
- **Specify seed** — The random sequence used for noise generation is repeatable, and you control the seed by using the seed parameters. You specify seed values separately for input noise voltage, noninverting input noise current, and inverting input noise current.

Dependencies

Enabled when the **Noise mode** parameter is set to Enabled.

Input noise voltage auto-generated seed used for repeatable option — Auto-generated random number seed for voltage noise

random real number

Random number seed stored inside the block to make the random sequence repeatable. The parameter value is automatically generated using the MATLAB random number generator command. You can modify this parameter value, but it gets overwritten by a new random value if you copy the block to another block in the model. Therefore, if you want to control the seed of the random sequence, use the **Specify seed** option for the **Repeatability** parameter and specify the desired seed value using the **Input noise voltage seed** parameter.

Dependencies

Enabled when the **Repeatability** parameter is set to Repeatable.

Noninverting input noise current auto-generated seed used for repeatable option — Auto-generated random number seed for current noise at noninverting input

random real number

Random number seed stored inside the block to make the random sequence repeatable. The parameter value is automatically generated using the MATLAB random number generator command. You can modify this parameter value, but it gets overwritten by a new random value if you copy the block to another block in the model. Therefore, if you want to control the seed of the random sequence, use the **Specify seed** option for the **Repeatability** parameter and specify the desired seed value using the **Noninverting input noise current seed** parameter.

Dependencies

Enabled when the **Repeatability** parameter is set to Repeatable.

Inverting input noise current auto-generated seed used for repeatable option — Auto-generated random number seed for current noise at inverting input

random real number

Random number seed stored inside the block to make the random sequence repeatable. The parameter value is automatically generated using the MATLAB random number generator command. You can modify this parameter value, but it gets overwritten by a new random value if you copy the block to another block in the model. Therefore, if you want to control the seed of the random sequence, use the **Specify seed** option for the **Repeatability** parameter and specify the desired seed value using the **Inverting input noise current seed** parameter.

Dependencies

Enabled when the **Repeatability** parameter is set to Repeatable.

Input noise voltage seed — Random number seed for voltage noise

0 (default)

Seed used by the noise random number generator.

Dependencies

Enabled when the **Repeatability** parameter is set to Specify seed.

Noninverting input noise current seed — Random number seed for current noise at noninverting input

0 (default)

Seed used by the noise random number generator.

Dependencies

Enabled when the **Repeatability** parameter is set to Specify seed.

Inverting input noise current seed — Random number seed for current noise at inverting input

0 (default)

Seed used by the noise random number generator.

Dependencies

Enabled when the **Repeatability** parameter is set to Specify seed.

Extended Capabilities**C/C++ Code Generation**

Generate C and C++ code using Simulink® Coder™.

See Also

Band-Limited Op-Amp | Fully Differential Op-Amp | Op-Amp

Introduced in R2008b

Floating Neutral (Three-Phase)

Internal floating neutral point for wye-connected network

Library: Simscape / Electrical / Connectors & References



Description

The Floating Neutral (Three-Phase) block connects the individual phases of a three-phase system to form a floating neutral point.

Note If you want to create a neutral point that you can connect to other blocks, use the Neutral Port (Three-Phase) block. If you want to create a neutral point that is connected to ground, use the Grounded Neutral (Three-Phase) block.

Ports

Conserving

~ — **Three-phase port**
electrical

Expandable composite (**a,b, c**) three-phase port

Parameters

Parasitic ground conductance — Parasitic ground conductance
1e-12 1/0hm (default)

Parasitic conductance to ground. A nonzero value is required for the simulation of some circuit topologies.

Extended Capabilities

C/C++ Code Generation

Generate C and C++ code using Simulink® Coder™.

See Also

Grounded Neutral (Three-Phase) | Neutral Port (Three-Phase) | Open Circuit (Three-Phase)

Introduced in R2013b

Foster Thermal Model

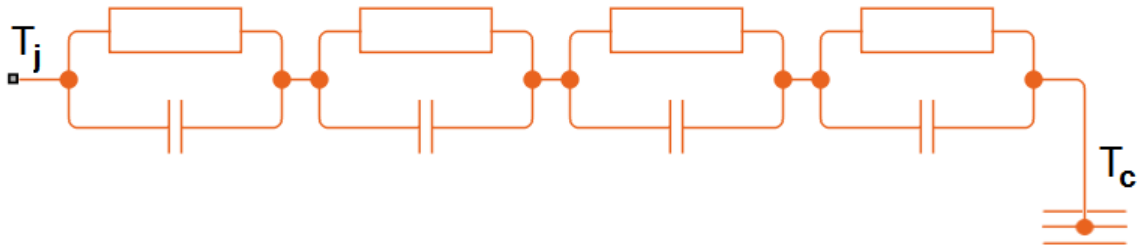
Heat transfer through a semiconductor module

Library: Simscape / Electrical / Passive / Thermal

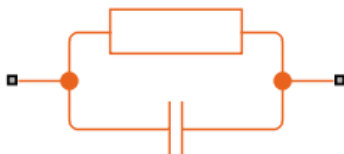


Description

The Foster Thermal Model block represents heat transfer through a semiconductor module. The figure shows an equivalent circuit for a fourth-order Foster Thermal Model block. T_j is the junction temperature and T_c is the base plate temperature.



A Foster thermal model contains one or more instances of Foster thermal model elements. The figure shows an equivalent circuit for a Foster thermal model element.



The number of thermal elements is equal to the order of representation. For a first order model, use scalar block parameters. For an n th order model, use row vectors of length n . Other terms that describe a Foster thermal model are:

- Partial fraction circuit
- Pi model

The defining equations for a first-order Foster thermal model element are:

$$C_{thermal} = \frac{\tau}{R_{thermal}}$$

and

$$Q_{AB} = \frac{T_{AB}}{R_{thermal}} + C_{thermal} \frac{dT_{AB}}{dt},$$

where:

- $C_{thermal}$ is the thermal capacity.
- τ is the thermal time constant.
- $R_{thermal}$ is the thermal resistance.
- Q_{AB} is the heat flow through the material.
- T_{AB} is the temperature difference between the material layers.

Ports

Conserving

A — Semiconductor junction

`thermal`

Thermal conserving port associated with the semiconductor junction.

B — Base plate junction

`thermal`

Thermal conserving port associated with the base plate junction.

Parameters

Thermal resistance data — Thermal resistance values

[0.0016 0.0043 0.0013 0.0014] K/W (default)

Thermal resistance values, $R_{thermal}$, of the semiconductor module, specified as a vector.

Thermal time constant data — Thermal time constant data

[0.0068 0.064 0.32 2] s (default)

Thermal time constant values, τ , of the semiconductor module, specified as a vector.

References

- [1] Schütze, T. *AN2008-03: Thermal equivalent circuit models*. Application Note. V1.0. Germany: Infineon Technologies AG, 2008.

Extended Capabilities

C/C++ Code Generation

Generate C and C++ code using Simulink® Coder™.

See Also

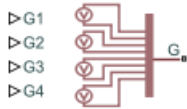
Cauer Thermal Model Element | Thermal Resistor

Introduced in R2016a

Four-Pulse Gate Multiplexer

Multiplex gate input signals to four quadrant

Library: Simscape / Electrical / Semiconductors & Converters / Converters



Description

The Four-Pulse Gate Multiplexer block multiplexes four separate voltage signals into a single vector. The vectorized signal can control the gates of four switching devices in a converter, such as a Four-Quadrant Chopper block.

Model

There are two model variants for the block. To access the model variants, in the model window, right-click the block. From the context menu, select **Simscape > Block choices**.

The model variants are:

- PS ports — Four-pulse gate multiplexer with physical signal ports. Select this default option to control switching device gates in a converter block using Simulink gate-control voltage signals. To multiplex and connect Simulink signals to the gate-control inport of a converter block:
 - 1 Convert each voltage signal using a Simulink-PS Converter block.
 - 2 Multiplex the converted gate signals into a single vector using the multiplexer block.
 - 3 Connect the vector signal to the **G** port of the converter.
- Electrical ports — Four-pulse gate multiplexer with electrical conserving ports. To control switching device gates in a converter block using Simscape Electrical Electronics and Mechatronics blocks, select this option. The electrical ports include pairs of electrical connections. Each pair corresponds to the gate and cathode of a switching device in the connected converter block.

Ports

Input

G1 — Gate-control voltage signal 1

physical signal

Physical signal port associated with the gate terminal of the first switching device in a connected converter block.

Dependencies

This port only appears for the PS ports block choice.

Data Types: double

G2 — Gate-control voltage signal 2

physical signal

Physical signal port associated with the gate terminal of the second switching device in a connected converter block.

Dependencies

This port only appears for the PS ports block choice.

Data Types: double

G3 — Gate-control voltage signal 3

physical signal

Physical signal port associated with the gate terminal of the third switching device in a connected converter block.

Dependencies

This port only appears for the PS ports block choice.

Data Types: double

G4 — Gate-control voltage signal 4

physical signal

Physical signal port associated with the gate terminal of the fourth switching device in a connected converter block.

Dependencies

This port only appears for the PS ports block choice.

Data Types: double

Conserving**G1 — Gate-control voltage signal 1**

electrical

Electrical conserving port associated with the gate terminal of the first switching device in a connected converter block.

Dependencies

This port only appears for the Electrical ports block choice.

a — A-phase AC reference point

electrical

Electrical conserving port associated with the A-phase for the high-side switching device.

Dependencies

This port only appears for the Electrical ports block choice.

G2 — Gate-control voltage signal 2

electrical

Electrical conserving port associated with the gate terminal of the second switching device in a connected converter block.

Dependencies

This port only appears for the Electrical ports block choice.

b — B-phase AC reference point

electrical

Electrical conserving port associated with the *B*-phase for the high-side switching device.

Dependencies

This port only appears for the Electrical ports block choice.

G3 — Gate-control voltage signal 3

electrical

Electrical conserving port associated with the gate terminal of the third switching device in a connected converter block.

Dependencies

This port only appears for the Electrical ports block choice.

G4 — Gate-control voltage signal 4

electrical

Electrical conserving port associated with the gate terminal of the fourth switching device in a connected converter block.

Dependencies

This port only appears for the Electrical ports block choice.

L — DC reference point

electrical

Electrical conserving port associated with the DC negative connection for the low-side switching device.

Dependencies

This port only appears for the Electrical ports block choice.

Extended Capabilities**C/C++ Code Generation**

Generate C and C++ code using Simulink® Coder™.

See Also

Four-Quadrant Chopper | Six-Pulse Gate Multiplexer | Twelve-Pulse Gate Multiplexer | Two-Pulse Gate Multiplexer

Topics

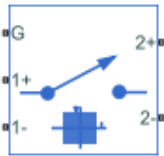
Switch Between Physical Signal and Electrical Ports

Introduced in R2018a

Four-Quadrant Chopper

Controller-driven four quadrant DC-DC chopper

Library: Simscape / Electrical / Semiconductors & Converters / Converters

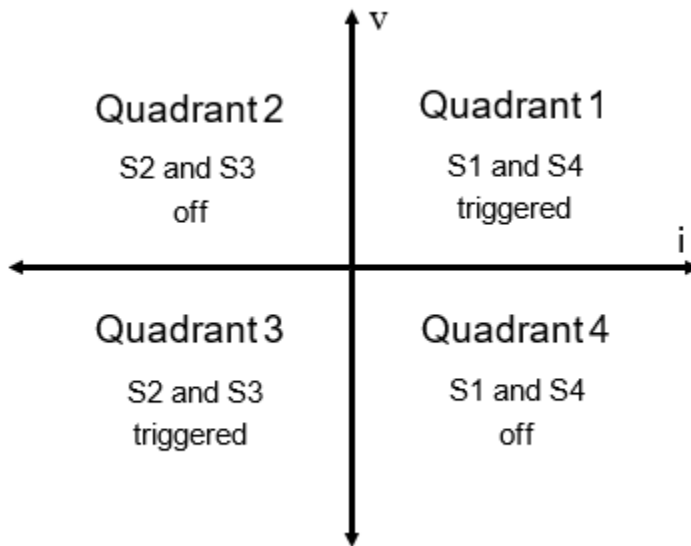
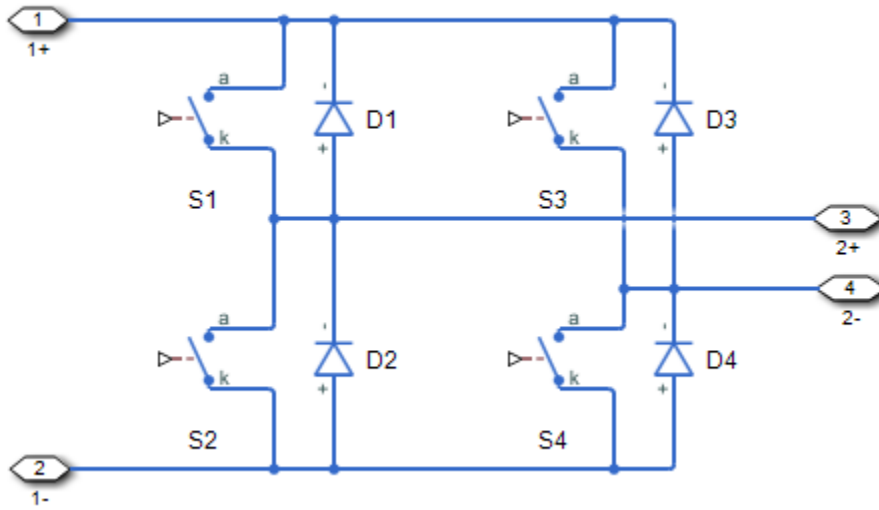


Description

The Four-Quadrant Chopper block represents a four-quadrant controlled chopper for converting a fixed DC input to a variable DC output. The block contains two bridge arms. Each bridge arm each has two switching devices. Options for the type of switching devices are:

- GTO — Gate turn-off thyristor. For information about the I-V characteristic of the device, see GTO.
- Ideal semiconductor switch — For information about the I-V characteristic of the device, see Ideal Semiconductor Switch.
- IGBT — Insulated-gate bipolar transistor. For information about the I-V characteristic of the device, see IGBT (Ideal, Switching).
- MOSFET — N-channel metal-oxide-semiconductor field-effect transistor. For information about the I-V characteristic of the device, see MOSFET (Ideal, Switching).
- Thyristor — For information about the I-V characteristic of the device, see Thyristor (Piecewise Linear).
- Averaged Switch.

The figures show the equivalent circuit and the operation for the block.



Protection

The block contains an integral protection diode for each switching device. The integral diode protects the semiconductor device by providing a conduction path for reverse current. An inductive load can produce a high reverse-voltage spike when the semiconductor device suddenly switches off the voltage supply to the load.

To configure the internal protection diode block, use the **Diode** parameters. This table shows how to set the **Model dynamics** parameter based on your goals.

Goals	Value to Select	Integral Protection Diode
Prioritize simulation speed.	Diode with no dynamics	The Diode block
Prioritize model fidelity by precisely specifying reverse-mode charge dynamics.	Diode with charge dynamics	The dynamic model of the Diode block

You can also include a snubber circuit for each switching device. Snubber circuits contain a series-connected resistor and capacitor. They protect switching devices against high voltages that inductive loads produce when the device turns off the voltage supply to the load. Snubber circuits also prevent excessive rates of current change when a switching device turns on.

To include and configure a snubber circuit for each switching device, use the **Snubbers** parameters.

Gate Control

To connect Simulink gate-control voltage signals to the gate ports of the internal switching devices:

- 1 Convert each voltage signal using a Simulink-PS Converter block.
- 2 Multiplex the converted gate signals into a single vector using a Four-Pulse Gate Multiplexer block.
- 3 Connect the vector signal to the **G** port.

Ports

Conserving

G — Switching device gate control

electrical | vector

Electrical conserving port associated with the gate terminals of the switching devices.

Data Types: double

1+ — Positive DC voltage 1

electrical | scalar

Electrical conserving port associated with the positive terminal of the first DC voltage.

Data Types: double

1- — Negative DC voltage 1

electrical | scalar

Electrical conserving port associated with the negative terminal of the first DC voltage.

Data Types: double

2+ — Positive DC voltage 2

electrical | scalar

Electrical conserving port associated with the positive terminal of the second DC voltage.

Data Types: double

2- – Negative DC voltage 2

electrical | scalar

Electrical conserving port associated with the negative terminal of the second DC voltage.

Data Types: double

Parameters

Switching Devices

This table shows how the visibility of **Switching Devices** parameters depends on the **Switching device** that you select. To learn how to read the table, see “Parameter Dependencies” on page A-2.

Switching Devices Parameter Dependencies

Parameters and Options					
Switching device					
<i>Ideal Semiconductor Switch</i>	<i>GTO</i>	<i>IGBT</i>	<i>MOSFET</i>	<i>Thyristor</i>	<i>Averaged Switch</i>
On-state resistance	Forward voltage	Forward voltage	Drain-source on resistance	Forward voltage	On-state resistance
Off-state conductance	On-state resistance	On-state resistance	Off-state conductance	On-state resistance	
Threshold voltage	Off-state conductance	Off-state conductance	Threshold voltage	Off-state conductance	
	Gate trigger voltage, Vgt	Threshold voltage		Gate trigger voltage, Vgt	
	Gate turn-off voltage, Vgt_off			Gate turn-off voltage, Vgt_off	
	Holding current			Holding current	

Switching device – Switch type

Ideal Semiconductor Switch (default) | *GTO* | *IGBT* | *MOSFET* | *Thyristor* | *Averaged Switch*

Switching device type for the converter.

Dependencies

See the Switching Devices Parameter Dependencies table.

Forward voltage – Voltage

0.8 Ohm (default) | scalar

For the different switching device types, the **Forward voltage** is taken as:

- GTO — Minimum voltage required across the anode and cathode block ports for the gradient of the device I-V characteristic to be $1/R_{on}$, where R_{on} is the value of **On-state resistance**
- IGBT — Minimum voltage required across the collector and emitter block ports for the gradient of the diode I-V characteristic to be $1/R_{on}$, where R_{on} is the value of **On-state resistance**

- Thyristor — Minimum voltage required for the device to turn on

Dependencies

See the Switching Devices Parameter Dependencies table.

On-state resistance — Resistance

0.001 Ohm (default) | scalar

For the different switching device types, the **On-state resistance** is taken as:

- GTO — Rate of change of voltage versus current above the forward voltage
- Ideal semiconductor switch — Anode-cathode resistance when the device is on
- IGBT — Collector-emitter resistance when the device is on
- Thyristor — Anode-cathode resistance when the device is on
- Averaged switch — Anode-cathode resistance when the device is on

Dependencies

See the Switching Devices Parameter Dependencies table.

Drain-source on resistance — Resistance

0.001 Ohm (default) | scalar

Resistance between the drain and the source, which also depends on the gate-to-source voltage.

Dependencies

See the Switching Devices Parameter Dependencies table.

Off-state conductance — Conductance

1e-5 1/Ohm (default) | scalar

Conductance when the device is off. The value must be less than $1/R$, where R is the value of **On-state resistance**.

For the different switching device types, the **On-state resistance** is taken as:

- GTO — Anode-cathode conductance
- Ideal semiconductor switch — Anode-cathode conductance
- IGBT — Collector-emitter conductance
- MOSFET — Drain-source conductance
- Thyristor — Anode-cathode conductance

Dependencies

See the Switching Devices Parameter Dependencies table.

Threshold voltage — Voltage threshold

6 V (default) | scalar

Gate voltage threshold. The device turns on when the gate voltage is above this value. For the different switching device types, the device voltage of interest is:

- Ideal semiconductor switch — Gate-emitter voltage
- IGBT — Gate-cathode voltage
- MOSFET — Gate-source voltage

Dependencies

See the Switching Devices Parameter Dependencies table.

Gate trigger voltage, V_{gt} — Voltage threshold

1 V (default) | scalar

Gate-cathode voltage threshold. The device turns on when the gate-cathode voltage is above this value.

Dependencies

See the Switching Devices Parameter Dependencies table.

Gate turn-off voltage, V_{gt_off} — Voltage threshold

-1 V (default) | scalar

Gate-cathode voltage threshold. The device turns off when the gate-cathode voltage is below this value.

Dependencies

See the Switching Devices Parameter Dependencies table.

Holding current — Current threshold

1 A (default) | scalar

Gate current threshold. The device stays on when the current is above this value, even when the gate-cathode voltage falls below the gate trigger voltage.

Dependencies

See the Switching Devices Parameter Dependencies table.

Protection Diode

The visibility of **Diode** parameters depends on how you configure the protection diode **Model dynamics** and **Reverse recovery time parameterization** parameters. To learn how to read this table, see “Parameter Dependencies” on page A-2.

Protection Diode Parameter Dependencies

Parameters and Options				
Model dynamics				
None	<i>Diode with no dynamics</i>	<i>Diode with charge dynamics</i>		
	Forward voltage	Forward voltage		
	On resistance	On resistance		
	Off conductance	Off conductance		
		Junction capacitance		
		Peak reverse current, iRM		
		Initial forward current when measuring iRM		
		Rate of change of current when measuring iRM		
		Reverse recovery time parameterization		
		<i>Specify stretch factor</i>	<i>Specify reverse recovery time directly</i>	<i>Specify reverse recovery charge</i>
	Reverse recovery time stretch factor	Reverse recovery time, trr	Reverse recovery charge, Qrr	

Model dynamics – Diode model

Diode with no dynamics (default) | None | Diode with charge dynamics

Diode type. The options are:

- None.
- Diode with no dynamics — Select this option to prioritize simulation speed using the Diode block.
- Diode with charge dynamics — Select this option to prioritize model fidelity in terms of reverse mode charge dynamics using the commutation model of the Diode block.

Note If you select Averaged Switch for the **Switching Device** parameter in the **Switching Devices** setting, this parameter is not visible and Diode with no dynamics is automatically selected.

Dependencies

See the Protection Diode Parameter Dependencies table.

Forward voltage – Voltage

0.8 V (default) | scalar

Minimum voltage required across the positive and negative block ports for the gradient of the diode I-V characteristic to be $1/R_{on}$, where R_{on} is the value of **On resistance**.

On resistance – Resistance

0.001 Ohm (default) | scalar

Rate of change of voltage versus current above the **Forward voltage**.

Off conductance – Conductance

1e-5 1/Ohm (default) | scalar

Conductance of the reverse-biased diode.

Junction capacitance – Capacitance

50 nF (default) | scalar

Diode junction capacitance.

Dependencies

See the Protection Diode Parameter Dependencies table.

Peak reverse current, i_{RM} – Current

-235 A (default) | scalar less than 0

Peak reverse current measured by an external test circuit.

Dependencies

See the Protection Diode Parameter Dependencies table.

Initial forward current when measuring i_{RM} – Current

300 A (default) | scalar greater than 0

Initial forward current when measuring peak reverse current. This value must be greater than zero.

Dependencies

See the Protection Diode Parameter Dependencies table.

Rate of change of current when measuring i_{RM} – Current change rate

-50 A/us (default) | scalar

Rate of change of current when measuring peak reverse current.

Dependencies

See the Protection Diode Parameter Dependencies table.

Reverse recovery time parameterization – Recovery-time model

Specify stretch factor (default) | Specify reverse recovery time directly | Specify reverse recovery charge

Model for parameterizing the recovery time. When you select **Specify stretch factor** or **Specify reverse recovery charge**, you can specify a value that the block uses to derive the reverse recovery time. For more information on these options, see “How the Block Calculates T_M and τ ” on page 1-374.

Dependencies

See the Protection Diode Parameter Dependencies table.

Reverse recovery time stretch factor – Stretch factor

3 (default) | scalar greater than 1

Value that the block uses to calculate **Reverse recovery time, trr**. Specifying the stretch factor is an easier way to parameterize the reverse recovery time than specifying the reverse recovery charge. The larger the value of the stretch factor, the longer it takes for the reverse recovery current to dissipate.

Dependencies

See the Protection Diode Parameter Dependencies table.

Reverse recovery time, trr – Time

15 us (default) | scalar

Interval between the time when the current initially goes to zero (when the diode turns off) and the time when the current falls to less than 10 percent of the peak reverse current.

The value of the **Reverse recovery time, trr** parameter must be greater than the value of the **Peak reverse current, iRM** parameter divided by the value of the **Rate of change of current when measuring iRM** parameter.

Dependencies

See the Protection Diode Parameter Dependencies table.

Reverse recovery charge, Qrr – Charge

1500 s*uA (default) | scalar

Value that the block uses to calculate **Reverse recovery time, trr**. Use this parameter if the data sheet for your diode device specifies a value for the reverse recovery charge instead of a value for the reverse recovery time.

The reverse recovery charge is the total charge that continues to dissipate when the diode turns off.

The value must be less than $-\frac{i_{RM}^2}{2a}$,

where:

- i_{RM} is the value specified for **Peak reverse current, iRM**.
- a is the value specified for **Rate of change of current when measuring iRM**.

Dependencies

See the Protection Diode Parameter Dependencies table.

Snubbers

The **Snubbers** parameters tab is not visible if you set **Switching device** to Averaged Switch.

The table summarizes the **Snubbers** parameter dependencies. To learn how to read the table, see “Parameter Dependencies” on page A-2.

Snubbers Parameter Dependencies

Snubbers Parameter Dependencies	
Snubber	
None	<i>RC Snubber</i>
	Snubber resistance
	Snubber capacitance

Snubber — Snubber model

None (default) | RC snubber

Switching device snubber.

Dependencies

See the Snubbers Parameter Dependencies table.

Snubber resistance — Resistance

0.1 Ohm (default) | scalar

Resistance of the switching device snubber.

Dependencies

See the Snubbers Parameter Dependencies table.

Snubber capacitance — Capacitance

1e-7 (default) | F | scalar

Capacitance of the switching device snubber.

Dependencies

See the Snubbers Parameter Dependencies table.

References

[1] Trzynadlowski, A. M. *Introduction to Modern Power Electronics, 2nd Edition*. Hoboken, NJ: John Wiley & Sons Inc., 2010.

Extended Capabilities

C/C++ Code Generation

Generate C and C++ code using Simulink® Coder™.

See Also

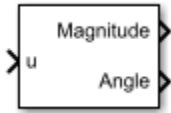
Average-Value Chopper | Four-Pulse Gate Multiplexer | One-Quadrant Chopper | Two-Quadrant Chopper

Introduced in R2018a

Fourier Analysis

Discrete or continuous time Fourier analysis

Library: Simscape / Electrical / Control / General Control



Description

The Fourier Analysis block performs a Fourier analysis on the input signal in either discrete or continuous time.

Equations

A periodic function $x(t)$ can be decomposed to an infinite sum of sine and cosine functions as

$$x(t) = \frac{a_0}{2} + \sum_{n=1}^{\infty} [a_n \cos(nt) + b_n \sin(nt)]$$

where:

- a_0 is the DC component.
- a_n and b_n are constant Fourier coefficients.
- n is the harmonic number.

The coefficients a_n and b_n are defined as

$$a_n = \frac{2}{T_0} \int_{t_0}^{t_0 + T_0} x(t) \cos(n\Omega_0 t) dt, \quad n = 0, 1, \dots$$

$$b_n = \frac{2}{T_0} \int_{t_0}^{t_0 + T_0} x(t) \sin(n\Omega_0 t) dt, \quad n = 1, 2, \dots$$

$$\Omega_0 = \frac{2\pi}{T_0}$$

$$T_0 = \frac{1}{f}$$

where f is the fundamental frequency.

The magnitude and angle corresponding to the harmonic number are defined as:

$$|X_n| = \sqrt{a_n^2 + b_n^2}$$

$$\theta_n = -\tan^{-1} \left[\frac{b_n}{a_n} \right]$$

Ports

Input

u — Fourier analysis input

scalar | vector

Input signal to be analyzed. The input can be a single signal or multiple multiplexed signals. Input signals can be AC currents or voltages in an electrical system.

Data Types: single | double

Output

Magnitude — Signal magnitude

scalar | vector

Signal magnitude corresponding to the harmonic number.

Data Types: single | double

Angle — Signal angle

scalar | vector

Signal angle corresponding to the harmonic number.

Data Types: single | double

Parameters

Fundamental frequency (Hz) — Signal fundamental frequency

60 (default) | positive scalar | vector with positive values

Fundamental frequency of the signal, in Hz. If you specify the fundamental frequency using a vector, it must match the input vector dimensions.

Harmonic numbers — Signal harmonic numbers

[1 2] (default) | vector with elements ≥ 0

Specify signal harmonic numbers. Vector elements must be greater than or equal to 0.

Initial magnitude — Initial signal magnitude

1 (default) | vector with elements ≥ 0

Specify the initial magnitude of the signal. Vector elements must be greater than or equal to 0.

Initial phase (rad) — Initial signal phase

0 (default) | vector

Initial phase angle of the signal, in rad.

Sample time (-1 for inherited) — Block sample time

-1 (default) | 0 | positive scalar

Time between consecutive block executions. During execution, the block produces outputs and, if appropriate, updates its internal state. For more information, see “What Is Sample Time?” and “Specify Sample Time”.

For inherited discrete-time operation, specify -1. For discrete-time operation, specify a positive integer. For continuous-time operation, specify 0.

If this block is in a masked subsystem, or other variant subsystem that allows you to switch between continuous operation and discrete operation, promote the sample time parameter. Promoting the sample time parameter ensures correct switching between the continuous and discrete implementations of the block. For more information, see “Promote Parameter to Mask”.

Extended Capabilities

C/C++ Code Generation

Generate C and C++ code using Simulink® Coder™.

See Also

Blocks

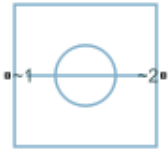
Moving Average

Introduced in R2018b

Frequency-Dependent Overhead Line (Three-Phase)

Three-phase overhead line which includes effects that vary as a function of frequency

Library: Simscape / Electrical / Passive / Lines

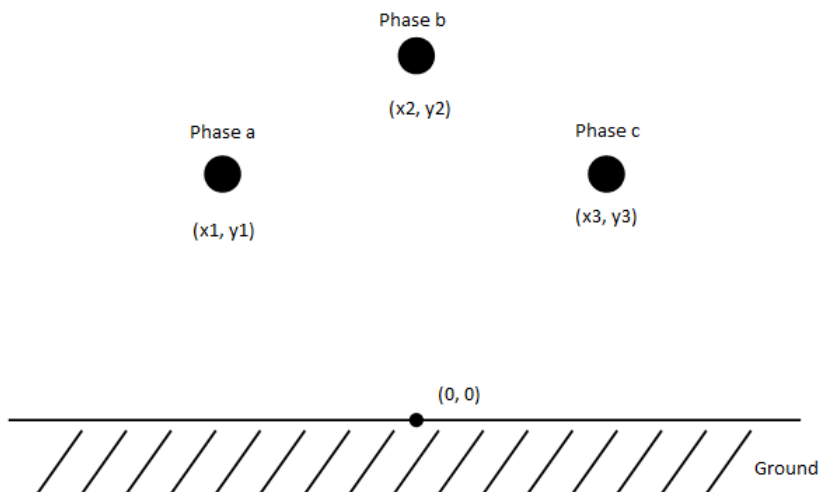


Description

The Frequency-Dependent Overhead Line (Three-Phase) block represents a high-fidelity frequency-dependent overhead line that offers accurate transient response simulation from 0.01 Hz to 100 kHz.

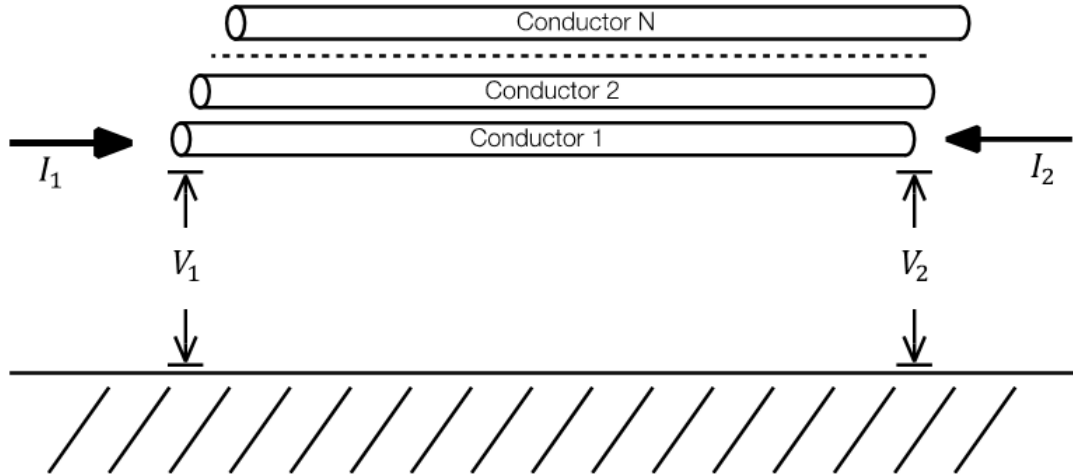
The block computes frequency-dependent impedance and admittance matrices. The calculations also depend on the loss, inductance, and capacitance of the return path.

For more information on using a frequency-dependent overhead line (three-phase), see “Engineering Applications” on page 1-518.



Equations

Line Model



The electromagnetic behavior of a multiconductor transmission line is described by the telegrapher's equation.

$$-\frac{dV}{dx} = ZI$$

$$-\frac{dI}{dx} = YV$$

Where:

- V is the vector of line phase voltages.
- I is the vector of phase currents.
- Z is the series impedance matrix in per unit length.
- Y is the shunt admittance matrix in per unit length.

These are general solutions for the vector of currents and voltages.

$$I(x) = e^{-\Psi x}C_1 + e^{\Psi x}C_2 \quad (1-19)$$

$$Y_c V(x) = e^{-\Psi x}C_1 - e^{\Psi x}C_2 \quad (1-20)$$

Where $\Psi = \sqrt{YZ}$ is the propagation matrix and $Y_c = (\sqrt{YZ})^{-1}Y$ is the characteristic admittance.

Consider now a transmission line segment of length $x = l$. At the beginning of one of its ends, when $x = 0$, the equations 1 and 2 are evaluated as follows.

$$I_1 = C_1 + C_2 \quad (1-21)$$

$$Y_c V_1 = C_1 - C_2 \quad (1-22)$$

The integration constant vectors C_1 and C_2 can be expressed in terms of I_0 and V_0 .

$$C_1 = \frac{(I_1 + Y_c V_1)}{2} \quad (1-23)$$

$$C_2 = \frac{(I_1 - Y_c V_1)}{2} \quad (1-24)$$

Similarly, at $x = l$, equations 1 and 2 are evaluated as follows.

$$I_2 = e^{-\Psi l} C_1 + e^{\Psi l} C_2 \quad (1-25)$$

$$Y_c V_2 = e^{-\Psi l} C_1 - e^{\Psi l} C_2 \quad (1-26)$$

To obtain the two fundamental equations for the transmission line model, first you use equations 7 and 8 to perform this calculation.

$$I_2 - Y_c V_2 = -2e^{-\Psi l} C_1 \quad (1-27)$$

Then you substitute equation 5 into equation 9.

$$I_2 - Y_c V_2 = -H(I_1 + Y_c V_1) \quad (1-28)$$

Where $H = e^{-\Psi l}$ is the propagation factor matrix. Equation 10 establishes the relation between voltages and currents at the terminals of a multi-conductor line section.

You can obtain a companion expression providing the model for the terminal 1 at $x = 0$.

$$I_1 - Y_c V_1 = -H(I_2 + Y_c V_2) \quad (1-29)$$

Define:

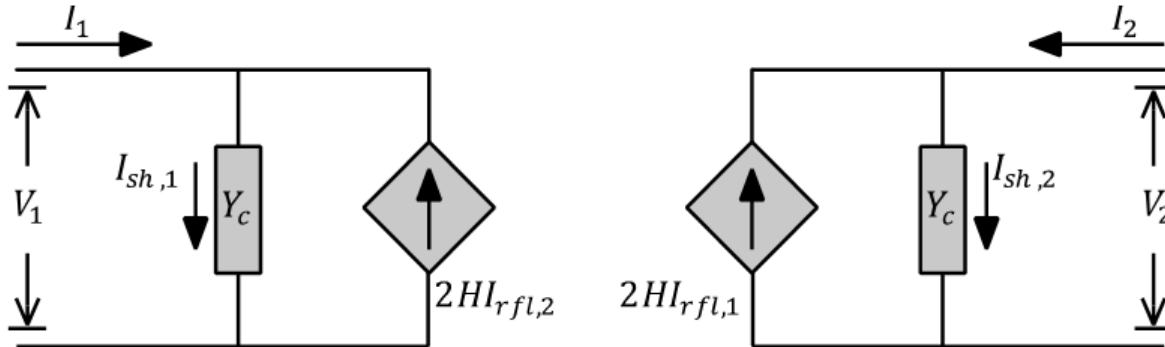
- $I_{sh,1} = Y_c V_1$ — Shunt current vector produced at terminal 1 by injected voltages V_1
- $I_{sh,2} = Y_c V_2$ — Shunt current vector produced at terminal 2 by injected voltages V_2
- $I_{rfl,1} = \frac{1}{2}(I_1 + Y_c V_1)$ — Reflected currents of terminal 1
- $I_{rfl,2} = \frac{1}{2}(I_2 + Y_c V_2)$ — Reflected currents of terminal 2

And finally rewrite equations 10 and 11 as follows:

$$I_1 = I_{sh,1} - 2H I_{rfl,2}$$

$$I_2 = I_{sh,2} - 2H I_{rfl,1}$$

These equations constitute a traveling wave line model for the segment of length L .



Particularly for transmission lines with ground return, the parameters are highly dependent on frequency. Model solutions are then carried out directly in the phase domain. The block computes automatically the impedance and the characteristic admittance matrices on the full frequency range, performing an approximation through rational fitting.

Rational fitting for this model is performed by using the vector fitting (VF) procedure. For more information on the phase domain line model and the state-space analysis, see *Wide-Band Line Model Implementation in Matlab for EMT Analysis* [1].

Variables

Use the **Variables** settings to specify the priority and initial target values for the block variables before simulation. For more information, see “Set Priority and Initial Target for Block Variables”.

Ports

Conserving

~1 – Three-phase AC voltage 1

electrical

Expandable electrical conserving three-phase port associated with AC voltage 1.

~2 – Three-phase AC voltage 2

electrical

Expandable electrical conserving three-phase port associated with AC voltage 2.

Parameters

X position of the line – Horizontal line position

[-6, 0, 6] m (default) | vector of three elements

Position of the line in terms of the x-axis of the reference frame.

Y position of the line – Vertical line position

[16, 26, 16] m (default) | vector of three positive elements

Position of the line in terms of the y-axis of the reference frame. The elements of the vector need to be greater than 0.

Resistivity of the conductor – Conductor resistivity

2.7e-8 m*Ohm (default) | positive scalar

Conductor resistivity. The value must be greater than 0.

Resistivity of the earth – Earth return resistivity

100 m*Ohm (default) | positive scalar

Earth return resistivity. The value must be greater than 0.

Radius of the conductor – Conductor radius

0.017 m (default) | positive scalar

Conductor radius. The value must be greater than 0.

Length of the line – Line length

150e3 m (default) | positive scalar

Line length. The value must be greater or equal than 1 and less or equal than 3e5.

Ground configuration – Ground node accessibility

Internally grounded (default) | Accessible ground nodes

Configuration of the ground nodes.

More About

Engineering Applications

Three-phase frequency-dependent overhead lines are typically used in:

- Simulations of transient phenomena in electrical power systems
- Design and operation of power systems and power apparatuses

References

- [1] Ramos-Leanos, O, Iracheta R.. *Wide-Band Line Model Implementation in Matlab for EMT Analysis*. Arlington, TX: IEEE North American Power Symposium (NAPS), 2010.
- [2] Ramos-Leanos, O. *Wideband Line/Cable Models for Real-Time and Off-Line Simulations of Electromagnetic Transients*. Diss. École Polytechnique de Montréal, 2013.
- [3] Ramos-Leanos, O., J. L. Naredo, J. Mahseredjian, I. Kocar, C. Dufour, and J. A. Gutierrez-Robles. *A wideband line/cable model for real-time simulations of power system transients*. IEEE Transactions on Power Delivery, 27.4 (2012): 2211-2218.
- [4] Iracheta, R., and O. Ramos-Leanos. *Improving computational efficiency of FD line model for real-time simulation of EMTS*. Arlington, TX: IEEE North American Power Symposium (NAPS), 2010.
- [5] Dommel, H. W. *Electromagnetic transients program (EMTP) theory book*. Portland OR: Bonneville Power Administration, 1986

Extended Capabilities

C/C++ Code Generation

Generate C and C++ code using Simulink® Coder™.

See Also

[AC Cable \(Three-Phase\)](#) | [Coupled Lines \(Three-Phase\)](#) | [Transmission Line](#) | [Transmission Line \(Three-Phase\)](#)

Topics

[“Expand and Collapse Three-Phase Ports on a Block”](#)

Introduced in R2019a

Fully Differential Op-Amp

Operational amplifier with fully differential output, that is, not referenced to ground

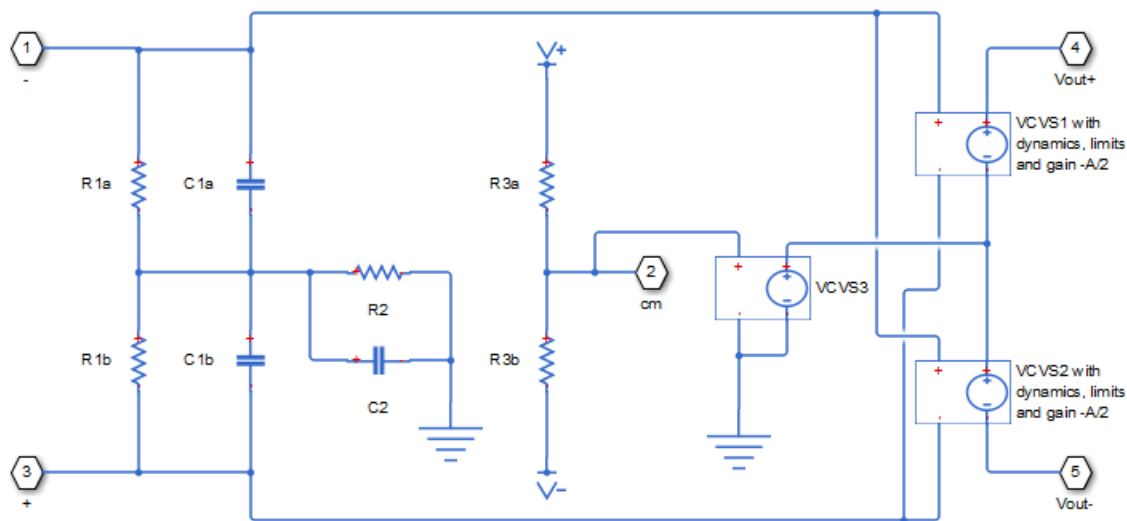
Library: Simscape / Electrical / Integrated Circuits



Description

The Fully Differential Op-Amp block models a fully differential operational amplifier. Differential signal transmission is better than single-ended transmission due to reduced susceptibility to external noise sources. Applications include data acquisition where inputs are differential, for example, sigma-delta converters.

The following diagram shows the internal representation of the amplifier.



Parameters for the circuit components are derived from the block parameters that you provide. The gain of the two voltage-controlled voltage sources (VCVS1 and VCVS2) is set to half of the differential gain value. Similarly the slew rate of each of the voltage sources is set to half of the differential maximum slew rate value. The voltages of the two output ports V_{out+} and V_{out-} are both limited to be within the minimum and maximum output voltages that you specify.

The output voltage for zero differential input voltage is controlled by the common-mode port, cm . If no current is drawn from the cm port by the external circuit, then the output voltage is set to be the average of the positive and negative supply voltages by the resistor ladder of R_{3a} and R_{3b} . Note that the negative supply voltage can be zero, which corresponds to operation when a split supply is not available. The values for the minimum and maximum output voltages that you provide must be consistent with the values for the supply voltages that you provide. So, for example, the maximum output high voltage will be less than the positive supply voltage, the difference corresponding to the number of p-n junction voltage drops in the circuit.

Assumptions and Limitations

- This block provides a behavioral model of a fully differential operational amplifier. It does not represent nonlinear effects, such as variation in gain with output voltage amplitude, and the nonlinear nature of the output voltage-current relationship for large load currents.

Ports

Conserving

+ – Non-inverting input

electrical

Electrical conserving port associated with the op-amp non-inverting input.

- – Inverting input

electrical

Electrical conserving port associated with the op-amp inverting input.

cm – Common-mode port

electrical

Electrical conserving port associated with the op-amp common-mode port. If you want to leave this pin open-circuit, connect a voltage sensor between the cm port and a reference port.

Vout+ – Non-inverting output

electrical

Electrical conserving port associated with the op-amp non-inverting output.

Vout- – Inverting output

electrical

Electrical conserving port associated with the op-amp inverting output.

Parameters

Gain

Differential gain – Differential gain

1e3 (default)

The gain applied to a voltage difference between the + and - inputs.

Bandwidth – Bandwidth

1.5 GHz (default)

The frequency at which the differential voltage gain drops by 3 dB from its dc value.

Input Impedance

Differential input resistance – Differential input resistance

1.3 M Ω (default)

The input resistance seen by a voltage source applied across the + and - inputs. The default value is 1.3 M Ω .

Differential input capacitance – Differential input capacitance

1.8 pF (default)

The input capacitance seen by a current source applied across the + and - inputs.

Common-mode input resistance – Common-mode input resistance

1.0 M Ω (default)

The input resistance seen by a voltage source applied between ground and the + input, or between ground and the - input.

Common-mode input capacitance – Common-mode input capacitance

2.3 pF (default)

The input capacitance seen by a current source applied between ground and the + input, or between ground and the - input.

Output Limits

Output resistance – Output resistance

1 Ω (default)

The output resistance of either of the outputs with respect to the common-mode voltage reference. Differential output resistance is therefore twice the value of the output resistance R_{out} .

Minimum output voltage low – Minimum output voltage low

-1.4 V (default)

The minimum output voltage for either of the two output pins with respect to ground.

Maximum output voltage low – Maximum output voltage low

1.4 V (default)

The maximum output voltage for either of the two output pins with respect to ground.

Differential maximum slew rate – Differential maximum slew rate

5000 V/ μ s (default)

The maximum slew rate of the differential output voltage.

Output Bias

Common-mode port input resistance – Common-mode port input resistance

23.0 k Ω (default)

The input resistance seen by a voltage source applied between ground and the common mode port.

Negative supply voltage — Negative supply voltage

-5 V (default)

The value of the negative supply voltage connected to common-mode bias resistor R3b (see diagram).

Positive supply voltage — Positive supply voltage

5 V (default)

The value of the positive supply voltage connected to common-mode bias resistor R3a (see diagram).

Initial Conditions**Initial differential output voltage — Initial differential output voltage**

0 V (default)

The initial differential voltage across the two outputs if the output current is zero.

Extended Capabilities**C/C++ Code Generation**

Generate C and C++ code using Simulink® Coder™.

See Also

Band-Limited Op-Amp | Finite-Gain Op-Amp | Op-Amp

Introduced in R2012a

Fuse

Fuse that protects against excessive current

Library: Simscape / Electrical / Switches & Breakers



Description

The Fuse block breaks the circuit, to protect it against excessive current. The block provides the following modeling options:

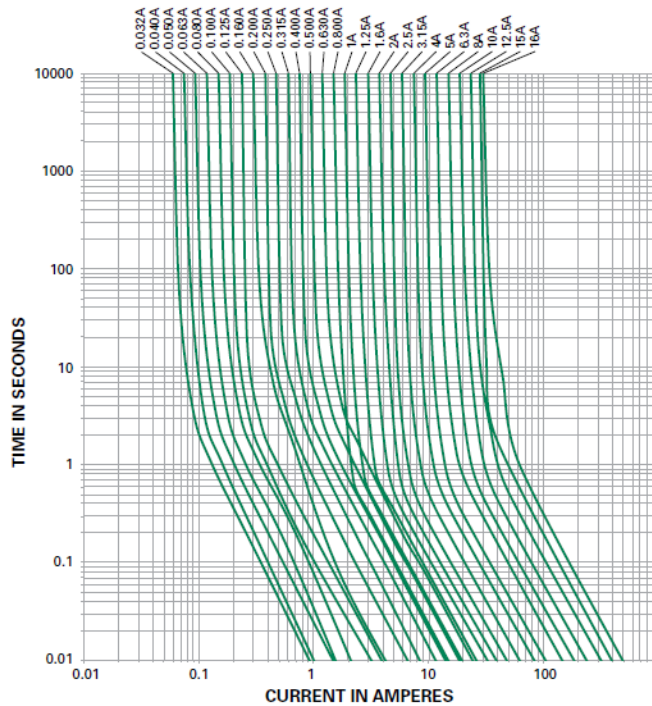
- **Opening time is independent of current** — The fuse opens when the current through the fuse exceeds the threshold current continuously for longer than the specified amount of time. This option assumes that the time to open is independent of the current. It also implicitly assumes that heat in the fuse is instantaneously dissipated once the current drops below a certain threshold.
- **Opening time depends on $I^2 \cdot t$** — Makes fuse opening dependent on the energy dissipated in the fuse. The nominal melting value ($I^2 \cdot t$) is usually available on manufacturer datasheets. If you select this option, the fuse blows when:

$$\int_{\text{over}}^t i^2 dt \geq I^2 t$$

where t_{over} is the time when the current crosses over the threshold current, i is instantaneous current through the fuse, and $I^2 t$ is the nominal melting value from the datasheet. Use this option for high-current range of operation.

- **Opening time is tabulated** — Makes fuse opening dependent on the average time-current tabulated data. This data indicates the time that it takes for the fuse to open given a certain current, and is available on manufacturer datasheets as time-current curves.

For example, these are the time-current curves from a Littelfuse® 218 Series fuse datasheet.



Select the appropriate curve and enter the corresponding current and time values into the **Tabulated currents** and **Tabulated opening time** parameter vectors, respectively. Use this option for small currents.

Ports

Conserving

+ – Positive terminal

electrical

Electrical conserving port associated with the fuse positive terminal.

- – Negative terminal

electrical

Electrical conserving port associated with the fuse negative terminal.

Output

x – Fuse state

physical signal

Outputs the fuse state as a unitless physical signal. The port outputs 0 if the fuse is intact, and 1 if the fuse is blown.

Dependencies

Exposed when the **PS output for fuse state** parameter is set to Visible.

Parameters

Parameterization — Model dependence of opening time on current

Opening time is independent of current (default) | Opening time depends on $I^2 \cdot t$ | Opening time is tabulated

Select whether opening time depends on current:

- Opening time is independent of current — The fuse opens when the current through the fuse exceeds the threshold current continuously for longer than the specified amount of time.
- Opening time depends on $I^2 \cdot t$ — Makes fuse opening dependent on the energy dissipated in the fuse. Use this option for high-current range of operation.
- Opening time is tabulated — Makes fuse opening dependent on the average time-current tabulated data. Use this option for small currents.

Rated current, I_{rated} — Nominal operating current

1 A (default)

The fuse rating from the datasheet, or nominal operating current.

Dependencies

Enabled when the **Parameterization** parameter is set to Opening time is independent of current or Opening time depends on $I^2 \cdot t$.

Ratio of minimum melting current to rated current, $I_{\text{melt}}/I_{\text{rated}}$ — Defined threshold current for melting

1 (default)

Minimum melting current defines the fuse operating threshold. If the current through the fuse does not exceed this threshold, the fuse stays in low-ohmic state. With the default parameter value, 1, the threshold current is the same as the rated current. In most cases, this parameter value should be greater than 1. You can also set it to a value less than 1, for situations where the fuse may blow at a current level below the rated current (for example, due to high temperature, or due to repetitive pulses). The parameter value must be greater than 0.

Dependencies

Enabled when the **Parameterization** parameter is set to Opening time is independent of current or Opening time depends on $I^2 \cdot t$.

Time to fuse — Time needed for the fuse to blow

0 s (default)

The amount of time needed for the fuse to blow. If the current through the fuse exceeds the threshold current continuously for longer than this amount of time, the fuse enters the high-ohmic state and breaks the circuit. If the current falls below the threshold before the time elapsed, the fuse stays in the low-ohmic state. If the current exceeds the threshold again, the time counter restarts. With the default parameter value, 0, the fuse blows immediately as soon as the current exceeds the minimum melting current. The parameter value must be greater than or equal to 0.

Dependencies

Enabled when the **Parameterization** parameter is set to Opening time is independent of current.

Nominal melting, I^2t — Dissipated energy needed for the fuse to blow1 s*A² (default)

The amount of energy dissipated in the fuse that is needed for the fuse to blow. This is the nominal melting, or I²t, parameter from the datasheet. The value must be greater than or equal to 0.

Dependencies

Enabled when the **Parameterization** parameter is set to Opening time depends on I²t.

Tabulated currents — Currents data from the time-current curves

[1.9, 2, 2.5, 30] A (default)

The tabulated current values from a time-current curve on the manufacturer datasheet. Every element in this vector must be greater than 0, and the vector must be strictly ascending.

Dependencies

Enabled when the **Parameterization** parameter is set to Opening time is tabulated.

Tabulated opening times — Times data from the time-current curves

[10000, 1, 0.3, 0.001] s (default)

The tabulated time values from a time-current curve on the manufacturer datasheet. Every element in this vector must be greater than or equal to 0, and the vector must be strictly descending. The vector must be of the same size as the **Tabulated currents** vector.

Dependencies

Enabled when the **Parameterization** parameter is set to Opening time is tabulated.

Fuse resistance R — Resistance of the fuse

0.01 Ω (default)

The fuse resistance in low-ohmic state. The parameter value must be greater than 0.

Open-circuit conductance G — Open-circuit fuse conductance

1e-8 1/Ω (default)

The open-circuit fuse conductance in high-ohmic state, when the fuse has blown. The parameter value must be greater than 0.

PS output for fuse state — Controls the visibility of the output port for fuse state

Hidden (default) | Visible

When set to Visible, a PS output port **x** appears on the block icon. The port outputs 0 if the fuse is intact, and 1 if the fuse is blown.

Extended Capabilities**C/C++ Code Generation**

Generate C and C++ code using Simulink® Coder™.

See Also

Introduced in R2008b

Gate Driver

Behavioral model of gate driver integrated circuit

Library: Simscape / Electrical / Semiconductors & Converters



Description

The Gate Driver block provides an abstracted representation of a gate driver integrated circuit. The block models input hysteresis, propagation delay, and turn-on/turn-off dynamics. Unless modeling a gate driver circuit explicitly, always use this block or the Half-Bridge Driver block to set gate-source voltage on a MOSFET block or gate-emitter voltage on an IGBT block. Do not connect a controlled voltage source directly to a semiconductor gate, because this omits the gate driver output impedance that determines switching dynamics.

The Gate Driver block has two modeling variants, accessible by right-clicking the block in your block diagram and then selecting the appropriate option from the context menu, under **Simscape > Block choices**:

- **PS input** — The driver output state is controlled by a physical signal input u . Use this variant if all of your controller, including PWM waveform generation, is determined by Simulink blocks. This modeling variant is the default.
- **Electrical input ports** — The driver output state is controlled by two electrical input connections, PWM and REF. Use this variant if your model has upstream analog components, such as the Controlled PWM Voltage source.

When the input rises above the logic 1 input level, the transition of the output state from off to on is initiated after a delay equal to the turn-on propagation delay. The demanded output voltage across the **G** and **S** ports steps in value from the off-state output voltage to the on-state output voltage, but the actual output voltage is set by the RC time constant associated with the **On-state gate drive resistance** value and the total load capacitance. Similarly, when the input falls below the logic 0 input value, the transition of the output state from on to off is initiated after a delay equal to the turn-off propagation delay and with dynamics now set by the **Off-state gate drive resistance** value.

Faults

You can insert a fault into the output of the gate driver at a specified simulation time, to make the connected semiconductor device either permanently off or permanently on. Use this feature to represent a failed semiconductor device as failed at open-circuit or at normal on-state conditions.

Ports

Input

u — Control signal, unitless
physical signal

Input physical signal that specifies the input control value.

Dependencies

Enabled for the **PS input** variant of the block.

Conserving**PWM — Pulse-width modulated signal**

electrical

Electrical conserving port associated with the pulse-width modulated signal.

Dependencies

Enabled for the **Electrical input ports** variant of the block.

REF — Floating zero volt reference

electrical

Electrical conserving port associated with the floating zero volt reference.

Dependencies

Enabled for the **Electrical input ports** variant of the block.

G — Gate connection

electrical

Electrical conserving port associated with the gate. Connect this port to the gate of a MOSFET or IGBT block.

S — Source or emitter connection

electrical

Electrical conserving port associated with the source or emitter. Connect this port to the source of a MOSFET block or the emitter of an IGBT block.

Parameters**Input Logic****Logic 1 input value — Signal value for logic 1**

0.7 (default)

Value of the input signal corresponding to the logic 1 level.

Dependencies

Enabled for the **PS input** variant of the block.

Logic 0 input value — Signal value for logic 0

0.3 (default)

Value of the input signal corresponding to the logic 0 level.

Dependencies

Enabled for the **PS input** variant of the block.

Logic 1 input voltage — Voltage value for logic 1

2.0 V (default)

Value of the input voltage corresponding to the logic 1 level.

Dependencies

Enabled for the **Electrical input ports** variant of the block.

Logic 0 input voltage — Voltage value for logic 0

0.8 V (default)

Value of the input voltage corresponding to the logic 0 level.

Dependencies

Enabled for the **Electrical input ports** variant of the block.

Outputs**On-state gate-source voltage — Demanded output voltage for on state**

15 V (default)

Demanded output voltage when the driver is in on state.

Off-state gate-source voltage — Demanded output voltage for off state

0 V (default)

Demanded output voltage when the driver is in off state.

Timing**Propagation delay (logic 0->logic 1) — Turn-on propagation delay**

50 ns (default)

When the input rises above the logic 1 input level, the transition of the output state from off to on is initiated after a delay equal to the turn-on propagation delay.

Propagation delay (logic 1->logic 0) — Turn-off propagation delay

50 ns (default)

When the input falls below the logic 0 input value, the transition of the output state from on to off is initiated after a delay equal to the turn-off propagation delay.

Dynamics**Parameterization — Select driver parameterization**

Output impedance (default) | Rise and fall times

Select the type of driver parameterization:

- Output impedance — Specify on-state and off-state gate drive resistances.

- Rise and fall times — Specify rise time, fall time, and load capacitance.

On-state gate drive resistance — Gate drive resistance for on state

2 Ω (default)

Gate drive resistance when the driver is in on state.

Dependencies

Enabled when the **Parameterization** parameter is set to Output impedance.

Off-state gate drive resistance — Gate drive resistance for off state

2 Ω (default)

Gate drive resistance when the driver is in off state.

Dependencies

Enabled when the **Parameterization** parameter is set to Output impedance.

Rise time — Driver rise time

20 ns (default)

Driver rise time from 10% to 90%.

Dependencies

Enabled when the **Parameterization** parameter is set to Rise and fall times.

Fall time — Driver fall time

20 ns (default)

Driver fall time from 90% to 10%.

Dependencies

Enabled when the **Parameterization** parameter is set to Rise and fall times.

Load capacitance for rise and fall times — Driver load capacitance

10 nF (default)

Driver load capacitance.

Dependencies

Enabled when the **Parameterization** parameter is set to Rise and fall times.

Faults**Enable faults — Select Yes to enable faults modeling**

No (default) | Yes

Select **Yes** to enable faults modeling. The associated parameters in the **Faults** section become visible to let you specify time to fail and the failure mode.

Simulation time for fault event — Time before entering faulted state

1 s (default)

Set the simulation time at which you want the block to enter the faulted state.

Dependencies

Enabled when the **Enable faults** parameter is set to Yes.

Failure mode — State of driver after failure

Fail off (default) | Fail on

Select whether driver fails by making the connected semiconductor device permanently turned off or on.

Dependencies

Enabled when the **Enable faults** parameter is set to Yes.

Extended Capabilities**C/C++ Code Generation**

Generate C and C++ code using Simulink® Coder™.

See Also

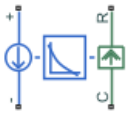
Controlled PWM Voltage | Half-Bridge Driver | N-Channel IGBT | N-Channel MOSFET | P-Channel MOSFET

Introduced in R2017b

Generic Linear Actuator

Generic linear actuator driven from DC voltage source or PWM driver

Library: Simscape / Electrical / Electromechanical / Mechatronic Actuators



Description

The Generic Linear Actuator block implements a model of a generic linear actuator designed to be driven from a DC voltage source or a PWM driver. Define force-speed characteristics in terms of tabulated values for powering the motor at the rated voltage. This functionality enables you to model a motor without referencing an equivalent circuit.

The motor or actuator architecture determines the way in which electrical losses depend on force. For example, a DC motor has losses that are proportional to the square of the current. As force is proportional to current, losses are also proportional to mechanical force. Most motors have an electrical loss term that is proportional to the square of mechanical force. The Generic Linear Actuator block calculates this loss term using the **Motor efficiency (percent)** and **Speed at which efficiency is measured** parameters that you provide.

Some motors also have a loss term that is independent of force. An example is a shunt motor where the field winding draws a constant current regardless of load. The **Force-independent electrical losses** parameter accounts for this effect.

The motor efficiency is the mechanical power divided by the sum of the mechanical power and both electrical loss terms. The block assumes that the speed at which the motor efficiency is defined is in the motoring quadrant and, therefore, positive.

You can operate the block in the reverse direction by changing the sign of the voltage applied. The H-Bridge block, for example, reverses motor direction if the voltage at the REV port is greater than the **Reverse threshold voltage** parameter. However, if you are using the block in reverse, specify the force-speed data for forward operation:

- Positive forces and positive speeds in the motoring quadrant.
- Positive force and negative speeds in the generating counterclockwise quadrant.
- Negative force and positive speed in the generating clockwise quadrant.

Thermal Port

The block has an optional thermal port, hidden by default. To expose the thermal port, right-click the block in your model, and then from the context menu select **Simscape > Block choices > Show thermal port**. This action displays the thermal port **H** on the block icon, and exposes the **Temperature Dependence** and **Thermal Port** parameters.

Use the thermal port to simulate the effects of copper resistance losses that convert electrical power to heat. For more information on using thermal ports and on the **Temperature Dependence** and

Thermal Port parameters, see “Simulating Thermal Effects in Rotational and Translational Actuators”.

Assumptions and Limitations

- The force-speed curve data corresponds only to the rated voltage, so the block produces accurate results only when driven by plus or minus the rated voltage.
- The block requires you to provide force-speed data for the full range over which you use the actuator. To use the actuator in the generating and braking regions, provide additional data outside of the normal motoring region.
- Model behavior is sensitive to force-speed data. For example, no-load speed is correctly defined and finite only when the data crosses the speed axis.
- To drive the block from the H-Bridge block:
 - Do not place any other blocks between the H-Bridge and the Generic Linear Actuator blocks.
 - In the H-Bridge block dialog box, set the **Freewheeling mode** to **Via one semiconductor switch and one freewheeling diode**. Selecting **Via two freewheeling diodes** does not set the bridge output voltage to zero when the PWM input signal is low.
 - In the H-Bridge, Generic Linear Actuator, and Controlled PWM Voltage block dialog boxes, ensure that the **Simulation mode** is the same for all three blocks.

Ports

Conserving

+ – Positive terminal

electrical

Electrical conserving port associated with the actuator positive terminal.

- – Negative terminal

electrical

Electrical conserving port associated with the actuator negative terminal.

C – Case

mechanical

Mechanical translational conserving port associated with the actuator case.

R – Plunger

mechanical

Mechanical translational conserving port associated with the plunger.

H – Thermal port

thermal

Thermal port. For more information, see “Thermal Port” on page 1-534.

Parameters

Electrical Force

Speed values — Speed values

[-15, -10, -5, 0, 5, 10, 15, 20, 25, 30] m/s (default)

Specify a vector of speeds, including their units, for your force-speed data.

Force values — Force values

[4, 3.5, 3, 2.5, 2, 1.5, 1, .5, 0, -.5] N (default)

Specify a vector of forces, including their units, for your force-speed data.

Rated voltage — Rated voltage

12 V (default)

Indicate the voltage for which the device you are modeling is rated.

Motor efficiency (percent) — Motor efficiency

70 (default)

Efficiency that the block uses to calculate force-dependent electrical losses.

Speed at which efficiency is measured — Speed at which efficiency is measured

20 m/s (default)

Speed that the block uses to calculate force-dependent electrical losses.

Force-independent electrical losses — Force-independent electrical losses

2 W (default)

Fixed electrical loss associated with the actuator when the force is zero.

Simulation mode — Simulation mode

PWM (default) | Averaged

If you set the **Simulation mode** parameter to PWM, apply a PWM waveform switching between zero and rated volts to the block electrical terminals. The current drawn from the electrical supply is equal to the amount required to deliver the mechanical power and to compensate for electrical losses. If the applied voltage exceeds the rated voltage, the resultant force scales proportionately. However, applying anything other than the rated voltage can provide unrepresentative results.

If you set the **Simulation mode** parameter to Averaged, the force generated in response to an applied voltage V_{av} is

$$\frac{V_{av}}{V_{rated}} \times F(v)$$

where $F(v)$ is the force value at speed v . The current drawn from the supply is such that the product of the current and V_{av} is equal to the average power that is consumed.

Mechanical**Plunger mass — Plunger mass**

0.1 kg (default)

Mass of the moving part of the motor. The value can be zero.

Linear damping — Linear damping

1e-5 N/(m/s) (default)

Linear damping. The value can be zero.

Initial plunger speed — Initial plunger speed

0 m/s (default)

Speed of the plunger at the start of the simulation.

Temperature Dependence

This tab appears only for blocks with exposed thermal port. For more information, see “Thermal Port” on page 1-534.

Resistance temperature coefficient — Resistance temperature coefficient

3.93e-3 1/K (default)

Resistance temperature coefficient.

Measurement temperature — Measurement temperature

25 degC (default)

The temperature for which the actuator parameters are defined.

Thermal Port

This tab appears only for blocks with exposed thermal port. For more information, see “Thermal Port” on page 1-534.

Thermal mass — Thermal mass

100 J/K (default)

The thermal mass is the energy required to raise the temperature by one degree.

Initial temperature — Initial temperature

25 degC (default)

Temperature of the thermal port at the start of simulation.

Extended Capabilities**C/C++ Code Generation**

Generate C and C++ code using Simulink® Coder™.

See Also

Generic Rotary Actuator | H-Bridge

Introduced in R2009b

Generic Rotary Actuator

Generic rotary actuator driven from DC voltage source or PWM driver

Library: Simscape / Electrical / Electromechanical / Mechatronic Actuators



Description

The Generic Rotary Actuator block implements a model of a generic rotary actuator designed to be driven from a DC voltage source or PWM driver. You define torque-speed characteristics in terms of tabulated values for powering the motor at the rated voltage. This functionality allows you to model a motor without referencing an equivalent circuit.

The motor or actuator architecture determines the way in which electrical losses depend on torque. For example, a DC motor has losses that are proportional to the square of the current. As torque is proportional to current, losses are also proportional to mechanical torque. Most motors have an electrical loss term that is proportional to the square of mechanical torque. The Generic Rotary Actuator block calculates this loss term using the **Motor efficiency (percent)** and **Speed at which efficiency is measured** parameters that you provide.

Some motors also have a loss term that is independent of torque. An example is a shunt motor where the field winding draws a constant current regardless of load. The **Torque-independent electrical losses** parameter accounts for this effect.

The motor efficiency is the mechanical power divided by the sum of the mechanical power and both electrical loss terms. The block assumes that the speed at which the motor efficiency is defined is in the motoring quadrant and, therefore, positive.

You can operate the block in the reverse direction by changing the sign of the voltage that you apply. The H-Bridge block, for example, reverses motor direction if the voltage at the REV port is greater than the **Reverse threshold voltage** parameter. However, if you are using the block in reverse, specify the torque-speed data for forward operation:

- Positive torques and positive speeds in the motoring quadrant.
- Positive torque and negative speeds in the generating counterclockwise quadrant.
- Negative torque and positive speed in the generating clockwise quadrant.

Thermal Port

The block has an optional thermal port, hidden by default. To expose the thermal port, right-click the block in your model, and then from the context menu select **Simscape > Block choices > Show thermal port**. This action displays the thermal port **H** on the block icon, and exposes the **Temperature Dependence** and **Thermal Port** parameters.

Use the thermal port to simulate the effects of copper resistance losses that convert electrical power to heat. For more information on using thermal ports and on the **Temperature Dependence** and

Thermal Port parameters, see “Simulating Thermal Effects in Rotational and Translational Actuators”.

Assumptions and Limitations

- The torque-speed curve data corresponds only to the rated voltage, so the block produces accurate results only when driven by plus or minus the rated voltage.
- In this block requires, you must provide torque-speed data for the full range over which you use the actuator. To use the actuator in the generating and braking regions, provide additional data outside of the normal motoring region.
- Model behavior is sensitive to torque-speed data. For example, no-load speed is correctly defined and finite only when the data crosses the speed axis.
- To drive the block from the H-Bridge block:
 - Do not place any other blocks between the H-Bridge and the Generic Rotary Actuator blocks.
 - In the H-Bridge block dialog box, set the **Freewheeling mode** to **Via one semiconductor switch and one freewheeling diode**. Selecting **Via two freewheeling diodes** does not set the bridge output voltage to zero when the PWM input signal is low.
 - In the H-Bridge, Generic Rotary Actuator, and Controlled PWM Voltage block dialog boxes, ensure that the **Simulation mode** is the same for all three blocks.

Ports

Conserving

+ – Positive terminal

electrical

Electrical conserving port associated with the actuator positive terminal.

- – Negative terminal

electrical

Electrical conserving port associated with the actuator negative terminal.

C – Case

mechanical

Mechanical rotational conserving port associated with the actuator case.

R – Rotor

mechanical

Mechanical rotational conserving port associated with the rotor.

H – Thermal port

thermal

Thermal port. For more information, see “Thermal Port” on page 1-539.

Parameters

Electrical Torque

Speed values – Vector of speeds

[-1500, -1000, -500, 0, 500, 1000, 1500, 2000, 2500, 3000] rpm (default)

Specify a vector of speeds, including their units, for your torque-speed data.

Torque values – Vector of torques

[.04, .035, .03, .025, .02, .015, .01, .005, 0, -.005] Nm (default)

Specify a vector of torques, including their units, for your torque-speed data.

Rated voltage – Rated voltage

12 V (default)

Indicate the voltage for which the device you are modeling is rated.

Motor efficiency (percent) – Motor efficiency

80 (default)

The efficiency that the block uses to calculate torque-dependent electrical losses.

Speed at which efficiency is measured – Speed at which efficiency is measured

2000 rpm (default)

The speed that the block uses to calculate torque-dependent electrical losses.

Torque-independent electrical losses – Fixed electrical loss

0.1 W (default)

Fixed electrical loss associated with the actuator when the torque is zero.

Simulation mode – Simulation mode

PWM (default) | Averaged

If you set the **Simulation mode** parameter to PWM, apply a PWM waveform switching between zero and rated volts to the block electrical terminals. The current drawn from the electrical supply is equal to the amount required to deliver the mechanical power and to compensate for electrical losses. If the applied voltage exceeds the rated voltage, the resultant torque scales proportionately. However, applying anything other than the rated voltage can provide unrepresentative results.

If you set the **Simulation mode** parameter to Averaged, the torque generated in response to an applied voltage V_{av} is

$$\frac{V_{av}}{V_{rated}} \times T(\omega)$$

where $T(\omega)$ is the torque value at speed ω . The current drawn from the supply is such that the product of the current and V_{av} is equal to the average power that is consumed.

Mechanical

Rotor inertia — Rotor inertia

0.0001 kg*m² (default)

Rotor resistance to change in motor motion. The value can be zero.

Rotor damping — Rotor damping

1e-8 N*m/(rad/s) (default)

Rotor damping. The value can be zero.

Initial rotor speed — Initial rotor speed

0 rpm (default)

Speed of the rotor at the start of the simulation.

Temperature Dependence

This tab appears only for blocks with exposed thermal port. For more information, see “Thermal Port” on page 1-539.

Resistance temperature coefficient — Resistance temperature coefficient

3.93e-3 1/K (default)

Resistance temperature coefficient.

Measurement temperature — Measurement temperature

25 degC (default)

The temperature for which the actuator parameters are defined.

Thermal Port

This tab appears only for blocks with exposed thermal port. For more information, see “Thermal Port” on page 1-539.

Thermal mass — Thermal mass

100 J/K (default)

The thermal mass is the energy required to raise the temperature by one degree.

Initial temperature — Initial temperature

25 degC (default)

Temperature of the thermal port at the start of simulation.

Extended Capabilities

C/C++ Code Generation

Generate C and C++ code using Simulink® Coder™.

See Also

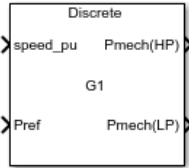
Generic Linear Actuator | H-Bridge

Introduced in R2009b

Governor Type 1

IEEE type 1 linearized speed-governing steam turbine model

Library: Simscape / Electrical / Control / Turbine-Governors



Description

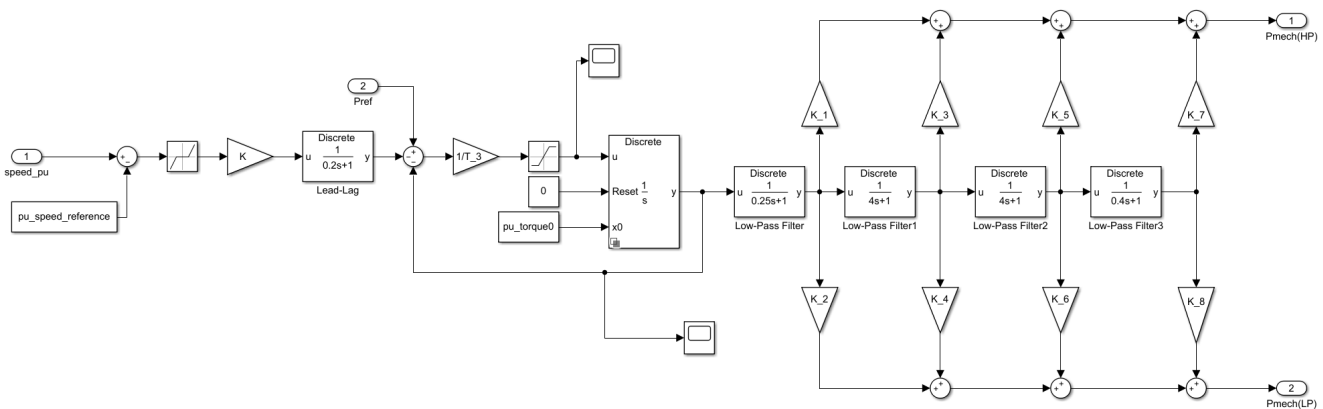
The Governor Type 1 block models a model IEEE G1 steam turbine-governor model IEEE G1.

This block allows the modeling of cross-compound units and it has two sets of turbine fractions:

- **LP Fraction, K_2, LP Fraction, K_4, LP Fraction, K_6, LP Fraction, K_8** for low-pressure (LP).
- **HP Fraction, K_1, HP Fraction, K_3, HP Fraction, K_5, HP Fraction, K_7** for high-pressure (HP).

You can switch between continuous and discrete implementations of the block by using the **Sample time (-1 for inherited)** parameter. To configure the governor for continuous time, set the **Sample time (-1 for inherited)** property to 0. To configure the governor for discrete time, set the **Sample time (-1 for inherited)** property to a positive, nonzero value, or to -1 to inherit the sample time from an upstream block.

This diagram illustrates the overall structure of the block:



Ports

Input

speed_pu — Turbine speed

scalar

Speed of the turbine, in per-unit representation, specified as a scalar.

Data Types: `single` | `double`

Pref — Speed reference bias

scalar

Bias to the speed load reference, specified as a scalar. Connect this port to the **Pref** output port of a turbine load controller block, such as the Controller LCFB1 block.

Data Types: `single` | `double`

Output

Pmech(HP) — High-pressure mechanical power

scalar

High-pressure mechanical power, returned as a scalar.

Data Types: `single` | `double`

Pmech(LP) — Low-pressure mechanical power

scalar

Low-pressure mechanical power, returned as a scalar.

Data Types: `single` | `double`

Parameters

General

Speed reference (pu) — Speed reference

1 (default) | scalar

Per-unit speed reference.

Initial torque (pu) — Initial torque

0.45 (default) | scalar

Per-unit initial torque at the start of the simulation.

Sample time (-1 for inherited) — Block sample time

-1 (default) | 0 | positive scalar

Time between consecutive block executions. During execution, the block produces outputs and, if appropriate, updates its internal state. For more information, see “What Is Sample Time?” and “Specify Sample Time”.

For inherited discrete-time operation, specify -1. For discrete-time operation, specify a positive integer. For continuous-time operation, specify 0.

If this block is in a masked subsystem, or other variant subsystem that allows you to switch between continuous operation and discrete operation, promote the sample time parameter. Promoting the sample time parameter ensures correct switching between the continuous and discrete implementations of the block. For more information, see “Promote Parameter to Mask”.

Governor

Governor gain (1/droop), K (pu) – Gain of governor

20 (default) | scalar

Per-unit gain of the governor.

Lag time constant, T₁ (s) – Governor lag time constant

0.2 (default) | scalar

Equivalent lag time constant. This parameter is associated with the block labeled "Lead-Lag" in the diagram. Set this parameter to 0 when the additional lag dynamics are negligible.

Lead time constant, T₂ (s) – Governor lead time constant

0 (default) | scalar

Equivalent lead time constant. This parameter is associated with the block labeled "Lead-Lag" in the diagram. Set this parameter to 0 when the additional lead dynamics are negligible.

Valve position time constant, T₃ (s) – Time constant of valve position

0.1 (default) | scalar

Time constant of the valve position, in seconds.

Maximum valve opening rate, U_o (pu/s) – Maximum opening rate of the valve

0.1 (default) | scalar

Per-unit maximum opening rate of the valve.

Maximum valve closing rate, U_c (pu/s) – Maximum closing rate of the valve

-0.1 (default) | scalar

Per-unit maximum closing rate of the valve.

Maximum valve opening, on MW capability, P_{max} (pu) – Maximum opening of the valve on MW capability

0.98 (default) | scalar

Per-unit maximum opening of the valve, on MW capability.

Minimum valve opening, on MW capability, P_{min} (pu) – Minimum opening of the valve, on MW capability

0 (default) | scalar

Per-unit minimum opening of the valve, on MW capability.

Time constant for steam inlet, T₄ (s) – Time constant of the inlet steam

0.25 (default) | scalar

Time constant of the inlet steam bowl, in seconds. This parameter is associated with the block labeled "Low-Pass Filter" in the diagram.

HP fraction, K_1 – Fraction of high-pressure shaft power

0.22 (default) | scalar

Fraction of the high-pressure shaft power after the first boiler pass.

LP fraction, K2 – Fraction of low-pressure shaft power

0 (default) | scalar

Fraction of the low-pressure shaft power after the first boiler pass.

Time constant for second boiler pass, T_5 (s) – Time constant for second boiler pass

4 (default) | scalar

Time constant of the second boiler pass, in seconds. This parameter is associated with the block labeled "Low-Pass Filter1" in the diagram.

HP fraction, K_3 – Fraction of high-pressure shaft power

0.22 (default) | scalar

Fraction of the high-pressure shaft power after the second boiler pass.

LP fraction, K_4 – Fraction of low-pressure shaft power

0 (default) | scalar

Fraction of the low-pressure shaft power after the second boiler pass.

Time constant for third boiler pass, T_6 (s) – Time constant for third boiler pass

4 (default) | scalar

Time constant of the third boiler pass, in seconds. This parameter is associated with the block labeled "Low-Pass Filter2" in the diagram.

HP fraction, K_5 – Fraction of high-pressure shaft power

0.3 (default) | scalar

Fraction of the high-pressure shaft power after the third boiler pass.

LP fraction, K_6 – Fraction of low-pressure shaft power

0 (default) | scalar

Fraction of the low-pressure shaft power after the third boiler pass.

Time constant for fourth boiler pass, T_7 (s) – Time constant for fourth boiler pass

0.4 (default) | scalar

Time constant of the fourth boiler pass, in seconds. This parameter is associated with the block labeled "Low-Pass Filter3" in the diagram.

HP fraction, K_7 – Fraction of high-pressure shaft power

0.26 (default) | scalar

Fraction of the high-pressure shaft power after the fourth boiler pass.

LP fraction, K_8 – Fraction of low-pressure shaft power

0 (default) | scalar

Fraction of the low-pressure shaft power after the fourth boiler pass.

Deadband – Deadband width

0.02 (default) | scalar

Intentional deadband width.

References

- [1] *Dynamic Models for Steam and Hydro Turbines in Power System Studies*, IEEE Transactions on Power Apparatus and Systems. Vol. PAS-92, Number 6, 1973, pp. 1904-1915.
- [2] Task Force on Turbine-Governor Modeling, *Dynamic models for turbine-governors in power system studies*, IEEE Power Energy Society, January 2013.
- [3] *IEEE Guide for the Application of Turbine Governor Systems for Hydroelectric Generating Units*, IEEE Std 1207-2011.

Extended Capabilities

C/C++ Code Generation

Generate C and C++ code using Simulink® Coder™.

See Also

Blocks

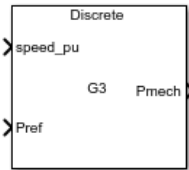
Controller LCFB1 | Governor Type 3

Introduced in R2020a

Governor Type 3

IEEE type 3 linearized speed-governing hydro turbine model

Library: Simscape / Electrical / Control / Turbine-Governors



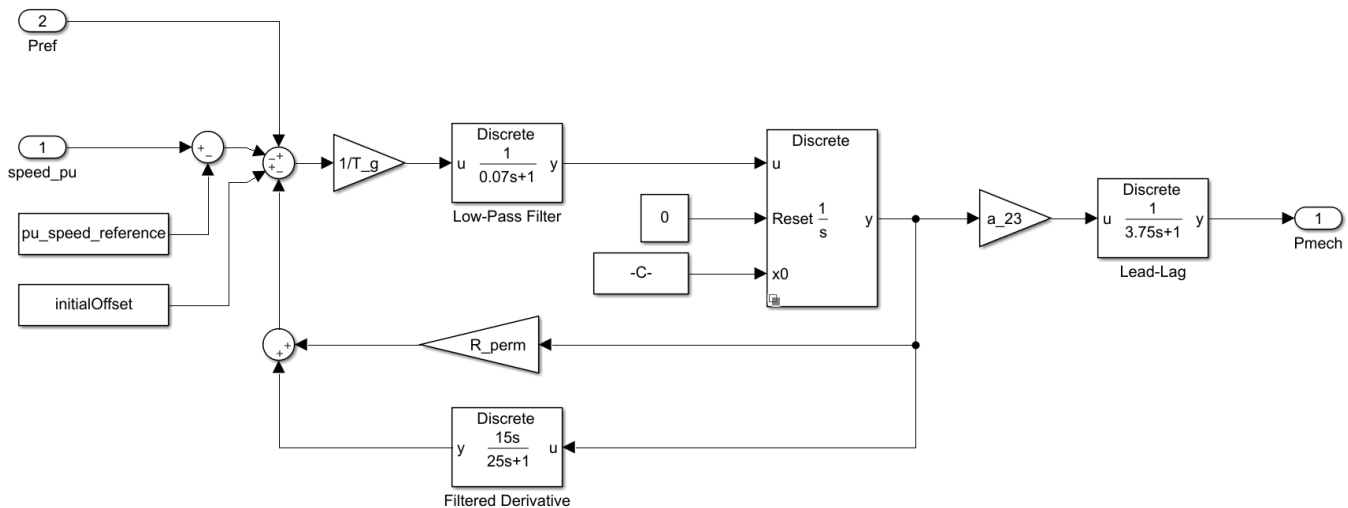
Description

The Governor Type 3 block models a model IEEEG3 hydro turbine-governor with penstock dynamics.

This block has a more detailed governor model than the Governor Type 1 block and uses a linearized model of the turbine, or water, column model and penstock dynamics.

You can switch between continuous and discrete implementations of the block by using the **Sample time (-1 for inherited)** parameter. To configure the governor for continuous time, set the **Sample time (-1 for inherited)** property to 0. To configure the governor for discrete time, set the **Sample time (-1 for inherited)** property to a positive, nonzero value, or to -1 to inherit the sample time from an upstream block.

This diagram illustrates the overall structure of the block:



Ports

Input

speed_pu — Turbine speed
scalar

Speed of the turbine, in per-unit representation, specified as a scalar.

Data Types: `single` | `double`

Pref — Speed reference bias

scalar

Bias to the speed load reference, specified as a scalar. Connect this port to the **Pref** output port of a turbine load controller block, such as the Controller LCFB1 block.

Data Types: `single` | `double`

Output

Pmech — Mechanical power

scalar

Mechanical power, returned as a scalar.

Data Types: `single` | `double`

Parameters

General

Speed reference (pu) — Speed reference

1 (default) | scalar

Per-unit speed reference.

Initial torque (pu) — Initial torque

0.45 (default) | scalar

Per-unit initial torque at the start of the simulation.

Sample time (-1 for inherited) — Block sample time

-1 (default) | 0 | positive scalar

Time between consecutive block executions. During execution, the block produces outputs and, if appropriate, updates its internal state. For more information, see “What Is Sample Time?” and “Specify Sample Time”.

For inherited discrete-time operation, specify -1. For discrete-time operation, specify a positive integer. For continuous-time operation, specify 0.

If this block is in a masked subsystem, or other variant subsystem that allows you to switch between continuous operation and discrete operation, promote the sample time parameter. Promoting the sample time parameter ensures correct switching between the continuous and discrete implementations of the block. For more information, see “Promote Parameter to Mask”.

Governor

Gate servomotor time constant, T_g (s) — Time constant for gate servomotor

0.52 (default) | scalar

Time constant for the gate servomotor, in seconds.

Pilot value time constant, T_p (s) – Time constant for pilot value

0.07 (default) | scalar

Time constant for the pilot value, in seconds. This parameter is associated with the block labeled "Low-Pass Filter" in the diagram.

Opening gate rate limit, U_o (pu/s) – Limit of opening gate rate

0.15 (default) | scalar

Per-unit limit of the opening gate rate. This parameter is associated with the block labeled "Low-Pass Filter" in the diagram.

Closing gate rate limit, U_c (pu/s) – Limit of closing gate rate

-0.15 (default) | scalar

Per-unit limit of the closing gate rate. This parameter is associated with the block labeled "Low-Pass Filter" in the diagram.

Maximum gate position, on MVA capability, P_{max} (pu) – Maximum position of gate

0.75 (default) | scalar

Maximum per-unit position of the gate, on MVA capability.

Minimum gate position, on MVA capability, P_{min} (pu) – Minimum position of gate

0 (default) | scalar

Minimum per-unit position of the gate, on MVA capability.

Permanent speed droop coefficient, R_{perm} (pu) – Permanent speed droop coefficient

0.05 (default) | scalar

Per-unit permanent speed droop coefficient.

Transient speed droop coefficient, R_{temp} (pu) – Transient speed droop coefficient

0.6 (default) | scalar

Per-unit transient speed droop coefficient. This parameter is associated with the block labeled "Filtered Derivative" in the diagram.

Governor time constant, T_r (s) – Time constant of governor

25 (default) | scalar

Time constant of the governor. This parameter is associated with the block labeled "Filtered Derivative" in the diagram.

Water starting time constant, T_w (s) – Water starting time constant

5 (default) | scalar

Water inertia time constant. This parameter is associated with the block labeled "Lead-Lag" in the diagram.

Penstock coefficient, a_{11} – Penstock dynamics coefficient

0.75 (default) | scalar

Coefficient for the penstock dynamics. This parameter is associated with the block labeled "Lead-Lag" in the diagram.

Penstock coefficient, a₁₃ – Penstock dynamics coefficient

0.75 (default) | scalar

Coefficient for the penstock dynamics. This parameter is associated with the block labeled "Lead-Lag" in the diagram.

Penstock coefficient, a₂₁ – Penstock dynamics coefficient

0.75 (default) | scalar

Coefficient for the penstock dynamics. This parameter is associated with the block labeled "Lead-Lag" in the diagram.

Penstock coefficient, a₂₃ – Penstock dynamics coefficient

0.75 (default) | scalar

Coefficient for the penstock dynamics. This parameter is associated with the block labeled "Lead-Lag" in the diagram.

References

- [1] Overbye, Tom *Power Systems Stability*, Lecture Notes. Texas A&M University.
- [2] *Dynamic Models for Steam and Hydro Turbines in Power System Studies*, IEEE Transactions on Power Apparatus and Systems. Vol. PAS-92, Number 6, 1973, pp. 1904–1915.
- [3] *IEEE Guide for the Application of Turbine Governor Systems for Hydroelectric Generating Units*, IEEE Std 1207-2011.

Extended Capabilities

C/C++ Code Generation

Generate C and C++ code using Simulink® Coder™.

See Also

Blocks

Controller LCFB1 | Governor Type 1

Introduced in R2020a

Grounded Neutral (Three-Phase)

Connect phases of three-phase system to electrical reference

Library: Simscape / Electrical / Connectors & References



Description

The Grounded Neutral (Three-Phase) block connects the phases of a three-phase system to ground.

Note If you want to connect the neutral point of the three-phase system to other blocks, use the Neutral Port (Three-Phase) block instead. If you want to create a floating neutral point, use the Floating Neutral (Three-Phase) block.

Ports

Conserving

~ — **Three-phase port**

electrical

Expandable composite (**a,b, c**) three-phase port

Extended Capabilities

C/C++ Code Generation

Generate C and C++ code using Simulink® Coder™.

See Also

Floating Neutral (Three-Phase) | Neutral Port (Three-Phase) | Open Circuit (Three-Phase)

Introduced in R2013b

GTO

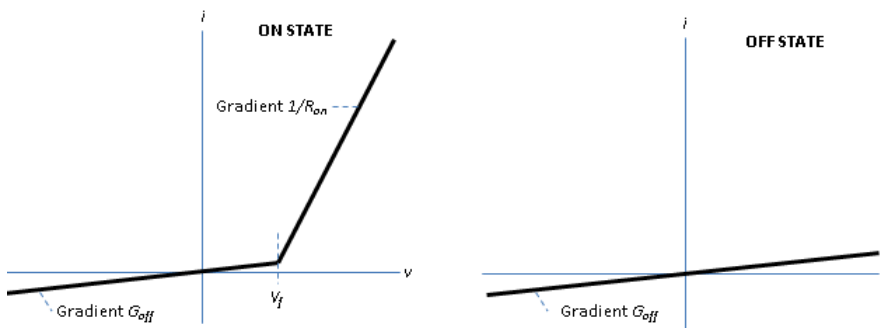
Gate Turn-Off Thyristor

Library: Simscape / Electrical / Semiconductors & Converters / Semiconductors



Description

The GTO block models a gate turn-off thyristor (GTO). The I-V characteristic of a GTO is such that if the gate-cathode voltage exceeds the specified gate trigger voltage, the GTO turns on. If the gate-cathode voltage falls below the specified gate turn-off voltage value, or if the load current falls below the specified holding-current value, the device turns off.



To define the I-V characteristic of the GTO, set the **On-state behaviour and switching losses** parameter to either **Specify constant values** or **Tabulate with temperature and current**. The **Tabulate with temperature and current** option is available only if you expose the thermal port of the block.

In the on state, the anode-cathode path behaves like a linear diode with forward-voltage drop, V_f , and on-resistance, R_{on} . However, if you expose the thermal port of the block and parameterize the device using tabulated I-V data, the tabulated resistance is a function of the temperature and current.

In the off state, the anode-cathode path behaves like a linear resistor with a low off-state conductance value, G_{off} .

The defining Simscape equations for the block are:

```

if ((v > Vf)&&((G>Vgt)|| (i>Ih)))&&(G>Vgt_off)
    i == (v - Vf*(1-Ron*Goff))/Ron;
else
    i == v*Goff;
end

```

where:

- v is the anode-cathode voltage.
- V_f is the forward voltage.
- G is the gate voltage.
- V_{gt} is the gate trigger voltage.
- i is the anode-cathode current.
- I_h is the holding current.
- V_{gt_off} is the gate turn-off voltage.
- R_{on} is the on-state resistance.
- G_{off} is the off-state conductance.

Using the **Integral Diode** parameters, you can include an integral cathode-anode diode. A GTO that includes an integral cathode-anode diode is known as an asymmetrical GTO (A-GTO) or reverse-conducting GTO (RCGTO). An integral diode protects the semiconductor device by providing a conduction path for reverse current. An inductive load can produce a high reverse-voltage spike when the semiconductor device suddenly switches off the voltage supply to the load.

The table shows you how to set the **Integral protection diode** parameter based on your goals.

Goal	Value to Select	Block Behavior
Prioritize simulation speed.	Protection diode with no dynamics	The block includes an integral copy of the Diode block. To parameterize the internal Diode block, use the Protection parameters.
Precisely specify reverse-mode charge dynamics.	Protection diode with charge dynamics	The block includes an integral copy of the dynamic model of the Diode block. To parameterize the internal Diode block, use the Protection parameters.

Modeling Variants

The block provides four modeling variants. To select the desired variant, right-click the block in your model. From the context menu, select **Simscape > Block choices**, and then one of these variants:

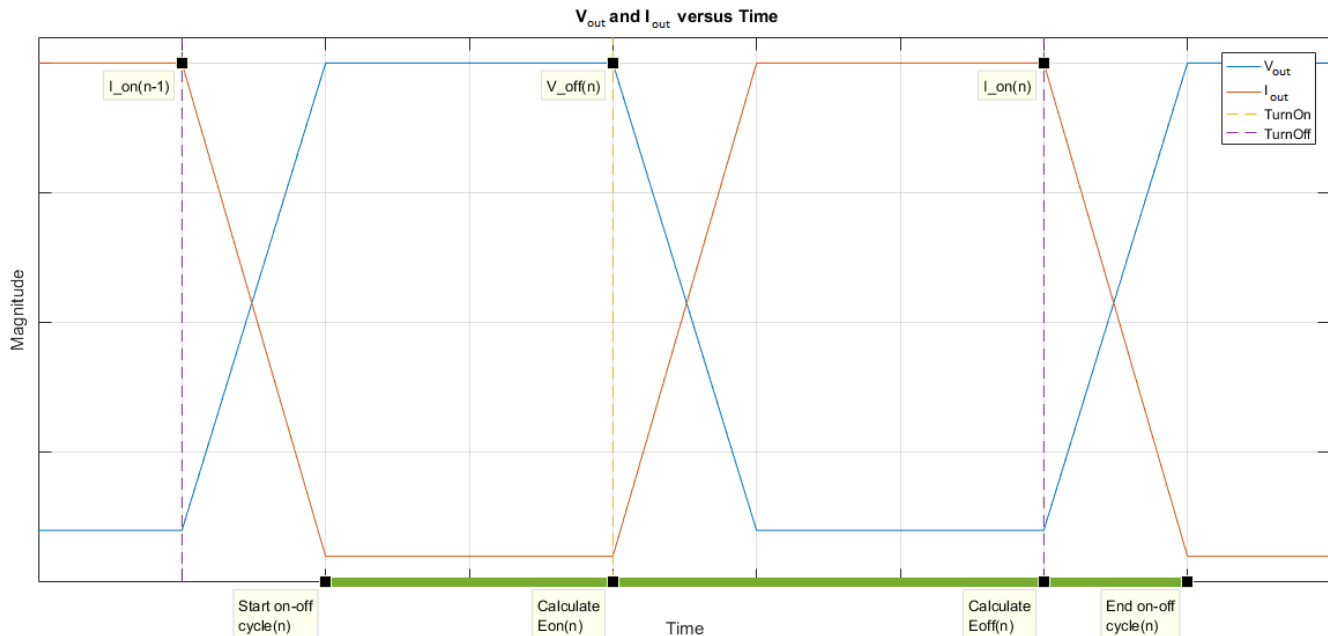
- **PS Control Port** — Contains a physical signal port that is associated with the gate terminal. This variant is the default.
- **Electrical Control Port** — Contains an electrical conserving port that is associated with the gate terminal.
- **PS Control Port | Thermal Port** — Contains a thermal port and a physical signal port that is associated with the gate terminal.
- **Electrical Control Port | Thermal Port** — Contains a thermal port and an electrical conserving port that is associated with the gate terminal.

The variants of this block without the thermal port do not simulate heat generation in the device.

The variants with the thermal port allow you to model the heat that switching events and conduction losses generate. The thermal port is hidden by default. To enable the thermal port, select a thermal block variant.

Thermal Losses

The figure shows an idealized representation of the output voltage, V_{out} , and the output current, I_{out} , of the semiconductor device. The interval shown includes the entire n^{th} switching cycle, during which the block turns off and then on.



Switching losses are one of the main sources of thermal loss in semiconductors. During each on-off switching transition, the GTO parasitics store and then dissipate energy.

Switching losses depend on the off-state voltage and the on-state current. When the switching device is turned on, the power losses depend on the initial off-state voltage across the device and the final on-state current once the device is fully in its on state. Similarly, when the switching device is force commutated off, the power losses depend on the initial on-state current through the device and the final off-state voltage once the device is fully in its off state. The switch on and force commutated switch off losses are either fixed or dependent on junction temperature and drain-source current, depending on how you specify the **On-state behavior and switching losses** parameter. In both cases, the losses are scaled by the off-state voltage prior to the latest device turn-on event.

When the current falls below the holding current and the device is naturally commutated off, the losses are set by the **Natural commutation rectification loss** parameter. Because it's not possible to know when to measure the starting current or final voltage for the rectification loss, it is not possible to scale it by the off-state voltage or on-state current.

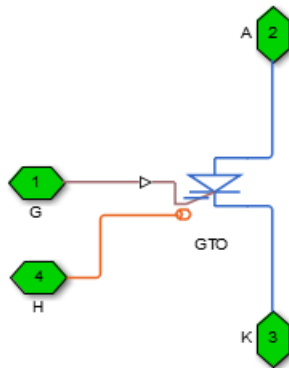
In this block, switching losses are applied to the attached thermal network using a first-order time constant, resulting in smooth change in temperature of the junction thermal mass.

Note As the final current after a switching event is not known during the simulation, the block records the on-state current at the point that the device is commanded off. Similarly, the block records the off-state voltage at the point that the device is commanded on. For this reason, the simlog does not report the switching losses to the thermal network until one switching cycle later.

For all ideal switching devices, the switching losses are reported as `lastTurnOffLoss` and `lastTurnOnLoss` and plotted as a pulse with amplitude equal to the energy loss. If you use a script to sum the total losses over a defined simulation period, you must sum the number of pulses scaled off the reported switching loss.

Ports

The figure shows the block port names.



Conserving

G – Gate terminal

electrical

Port associated with the gate terminal. You can set the port to either a physical signal or electrical port.

A – Anode terminal

electrical

Electrical conserving port associated with the anode terminal.

K – Cathode terminal

electrical

Electrical conserving port associated with the cathode terminal.

H – Thermal port

thermal

Thermal conserving port. The thermal port is optional and is hidden by default. To enable this port, select a variant that includes a thermal port.

Parameters

Main

This table shows how the visibility of **Main** parameters depends on how you configure the **Block choice** and **On-state behavior and switching losses** parameters. To learn how to read this table, see “Parameter Dependencies” on page A-2.

Main Parameter Dependencies

Parameters and Options		
Block choice		
<i>PS control port</i> or <i>Electrical control port</i>	<i>PS control port Thermal port</i> or <i>Electrical control port Thermal port</i>	
Gate trigger voltage, Vgt	Gate trigger voltage, Vgt	
Gate turn-off voltage, Vgt_off	Gate turn-off voltage, Vgt_off	
Holding current	Holding current	
Forward voltage, Vf	On-state behaviour and switching losses	
	<i>Specify constant values</i>	<i>Tabulate with temperature and current</i>
On-state resistance	Forward voltage, Vf	On-state voltage, Vak(Tj,Iak)
Off-state conductance	On-state resistance	Off-state conductance
	Off-state conductance	Switch-on loss, Eon(Tj,Iak)
	Switch-on loss	Switch-off loss, Eoff(Tj,Iak)
	Forced commutation switch-off loss	Temperature vector, Tj
	Natural commutation rectification loss	Anode-cathode current vector, Iak
	Off-state voltage for switching loss data	Natural commutation rectification loss
	On-state current for switching loss data	Off-state voltage for switching loss data
	Energy dissipation time constant	Energy dissipation time constant

On-state behaviour and switching losses – On-state current for switching loss data

Specify constant values (default) | Tabulate with temperature and current

Select a parameterization method. The option that you select determines which other parameters are enabled. Options are:

- **Specify constant values** — Use scalar values to specify the output current, switch-on loss, switch-off loss, and on-state voltage data. This is the default parameterization method.
- **Tabulate with temperature and current** — Use vectors to specify the output current, switch-on loss, switch-off loss, and temperature data.

Dependencies

See the Main Parameter Dependencies table.

Gate trigger voltage, Vgt — Gate trigger voltage

6 V (default)

Gate-cathode voltage threshold. The device turns on when the gate-cathode voltage is above this value.

Dependencies

See the Main Parameter Dependencies table.

Gate turn-off voltage, Vgt_off — Gate turn-off voltage

-1 V (default)

Gate-cathode voltage threshold. The device turns off when the gate-cathode voltage is below this value.

Dependencies

See the Main Parameter Dependencies table.

Holding current — Holding current

1 A (default)

Current threshold. The device stays on when the current is above this value, even when the gate-cathode voltage falls below the gate trigger voltage.

Dependencies

See the Main Parameter Dependencies table.

Forward voltage, Vf — Forward voltage

0.8 V (default)

Minimum voltage required across the anode and cathode block ports for the gradient of the device I-V characteristic to be $1/R_{on}$, where R_{on} is the value of **On-state resistance**.

Dependencies

See the Main Parameter Dependencies table.

On-state resistance — On-state resistance

0.001 Ohm (default)

Rate of change of voltage versus current above the forward voltage. The default value is 0.001.

Dependencies

See the Main Parameter Dependencies table.

Off-state conductance — Off-state conductance

1e-5 1/Ohm (default)

Anode-cathode conductance when the device is off. The value must be less than 1/R, where R is the value of **On-state resistance**. The default value is 1e-5.

Dependencies

See the Main Parameter Dependencies table.

Switch-on loss — Switch-on loss

22.86e-3 J (default)

Energy dissipated during a single switch-on event. This parameter is defined as a function of temperature and final on-state output current. Specify this parameter using a scalar quantity.

Dependencies

See the Main Parameter Dependencies table.

Forced commutation switch-off loss — Forced commutation switch-off loss

17.14e-3 J (default)

Energy dissipated during a single switch-off event. This parameter is defined as a function of temperature and final on-state output current. Specify this parameter using a scalar quantity.

Dependencies

See the Main Parameter Dependencies table.

Natural commutation rectification loss — Natural commutation rectification loss

10e-3 J (default)

Rectification loss applied at the point that the block switches off when the current falls below the **Holding current**. Specify this parameter using a scalar quantity.

Dependencies

See the Main Parameter Dependencies table.

Off-state voltage for switching loss data — Off-state voltage for losses data

300 V (default)

The output voltage of the device during the off state. This is the blocking voltage at which the switch-on loss and switch-off loss data are defined.

Dependencies

See the Main Parameter Dependencies table.

On-state current for switching loss data — Output current

600 A (default)

Output currents for which the switch-on loss, switch-off loss, and on-state voltage are defined. The first element must be zero. Specify this parameter using a scalar quantity.

Note This parameter is measured at the point that the gate voltage falls below the **Gate trigger voltage, Vgt**. The turn-on pulse is longer than the time it takes the current to reach its maximum value.

Dependencies

See the Main Parameter Dependencies table.

On-state voltage, $V_{ak}(T_j, I_{ak})$ — On-state voltage

[0, .1, .6, .8, 1, 1.3, 1.6, 2, 2.4; 0, .1, .7, 1, 1.2, 1.5, 1.9, 2.4, 2.8] V (default)

Voltage drop across the device while it is in a triggered conductive state. This parameter is defined as a function of temperature and final on-state output current. Specify this parameter using a vector quantity.

Dependencies

See the Main Parameter Dependencies table.

Switch-on loss, $E_{on}(T_j, I_{ak})$ — Switch-on loss

[0, .0024, .024, .12, .2, .48, 1.04, 2.16, 3.24; 0, .003, .03, .15, .25, .6, 1.3, 2.7, 4.05] * 1e-3 J (default)

Energy dissipated during a single switch on event. This parameter is defined as a function of temperature and final on-state output current. Specify this parameter using a vector quantity.

Dependencies

See the Main Parameter Dependencies table.

Switch-off loss, $E_{off}(T_j, I_{ak})$ — Switch-off loss

[0, .0007, .0066, .033, .066, .17, .33, .83, 1.5; 0, .001, .01, .05, .1, .25, .5, 1.2, 2.2] * 1e-3 J (default)

Energy dissipated during a single switch-off event. This parameter is defined as a function of temperature and final on-state output current. Specify this parameter using a vector quantity.

Dependencies

See the Main Parameter Dependencies table.

Temperature vector, T_j — Temperature vector

[298.15, 398.15] K (default)

Temperature values at which the switch-on loss, switch-off loss, and on-state voltage are specified. Specify this parameter using a vector quantity.

Dependencies

See the Main Parameter Dependencies table.

Anode-cathode current vector, I_{ak} — Anode-cathode current vector

[0, .1, 1, 5, 10, 20, 40, 70, 100] A (default)

Anode-cathode currents for which the switch-on loss, switch-off loss and on-state voltage are defined. The first element must be zero. Specify this parameter using a vector quantity.

Dependencies

See the Main Parameter Dependencies table.

Energy dissipation time constant — Time constant

1e-4 s (default)

First-order time lag with which instantaneous switching losses smoothly raise the junction temperature.

Dependencies

See the Main Parameter Dependencies table.

Integral Diode**Integral protection diode — Integral protection diode**

None (default) | Protection diode with no dynamics | Protection diode with charge dynamics

Block integral protection diode. The default value is None.

The diodes you can select are:

- Protection diode with no dynamics
- Protection diode with charge dynamics

Diode model — Diode model

Piecewise Linear (default) | Tabulated I-V curve

Select one of these diode models:

- **Piecewise Linear** — Use a piecewise linear model for the diode, as described in “Piecewise Linear Diode” on page 1-370. This is the default method.
- **Tabulated I-V curve** — Use tabulated forward bias I-V data plus fixed reverse bias off conductance.

Dependencies

This parameter is visible only when the thermal port is exposed and the **Integral protection diode** parameter is set to Protection diode with no dynamics or Protection diode with charge dynamics.

Forward voltage — Forward voltage

0.8 V (default)

Minimum voltage required across the + and - block ports for the gradient of the diode I-V characteristic to be $1/R_{on}$, where R_{on} is the value of **On resistance**.

Dependencies

To enable this parameter:

- If the thermal port is hidden, set **Integral protection diode** to Protection diode with no dynamics or Protection diode with charge dynamics.
- If the thermal port is exposed, set **Integral protection diode** to Protection diode with no dynamics or Protection diode with charge dynamics and **Diode model** to Piecewise linear.

On resistance – On resistance

0.001 Ohm (default)

Rate of change of voltage versus current above the **Forward voltage**.

Dependencies

To enable this parameter:

- If the thermal port is hidden, set **Integral protection diode** to Protection diode with no dynamics or Protection diode with charge dynamics.
- If the thermal port is exposed, set **Integral protection diode** to Protection diode with no dynamics or Protection diode with charge dynamics and **Diode model** to Piecewise linear.

Forward currents, If(Tj,Vf) – Vector of forward currents

[.07, .12, .19, 1.75, 4.24, 7.32, 11.2; .16, .3, .72, 2.14, 4.02, 6.35, 9.12]
A (default) | nonnegative vector

Forward currents. This parameter must be a vector of at least three nonnegative elements.

Dependencies

To enable this parameter, expose the thermal port and set **Diode model** to Tabulated I-V curve.

Junction temperatures, Tj – Vector of junction temperatures

[25, 125] degC (default)

Vector of junction temperatures. This parameter must be a vector of at least two elements.

Dependencies

To enable this parameter, expose the thermal port and set **Diode model** to Tabulated I-V curve.

Forward voltages, Vf – Vector of forward voltages

[.5, .7, .9, 1.3, 1.7, 2.1, 2.5] V (default)

Vector of forward voltages. This parameter must be a vector of at least three nonnegative values.

Dependencies

To enable this parameter, expose the thermal port and set **Diode model** to Tabulated I-V curve.

Off conductance – Off conductance

1e-5 1/Ohm (default)

Conductance of the reverse-biased diode.

Dependencies

This parameter is visible only when the **Integral protection diode** parameter is set to Protection diode with no dynamics or Protection diode with charge dynamics.

Junction capacitance — Junction capacitance

50e-9 F (default)

Diode junction capacitance.

Dependencies

This parameter is visible only when the **Integral protection diode** parameter is set to Protection diode with charge dynamics.

Peak reverse current, i_{RM} — Peak reverse current

-235 A (default) | negative scalar

Peak reverse current measured by an external test circuit. This value must be less than zero. The default value is -235 A.

Dependencies

This parameter is visible only when the **Integral protection diode** parameter is set to Protection diode with charge dynamics.

Initial forward current when measuring i_{RM} — Initial forward current when measuring i_{RM}

300 A (default) | positive scalar

Initial forward current when measuring peak reverse current. This value must be greater than zero.

Dependencies

This parameter is visible only when the **Integral protection diode** parameter is set to Protection diode with charge dynamics.

Rate of change of current when measuring i_{RM} — Rate of change of current when measuring i_{RM}

-50A/ μ s (default) | negative scalar

Rate of change of current when measuring peak reverse current. This value must be less than zero.

Dependencies

This parameter is visible only when the **Integral protection diode** parameter is set to Protection diode with charge dynamics.

Reverse recovery time parameterization — Reverse recovery time parameterization

Specify reverse recovery time directly (default) | Specify stretch factor | Specify reverse recovery charge

Determines how you specify reverse recovery time in the block. The default value is Specify reverse recovery time directly.

If you select **Specify stretch factor** or **Specify reverse recovery charge**, you specify a value that the block uses to derive the reverse recovery time. For more information on these options, see “How the Block Calculates TM and Tau” on page 1-374.

Dependencies

This parameter is visible only when the **Integral protection diode** parameter is set to **Protection diode with charge dynamics**.

Reverse recovery time, t_{rr} — Reverse recovery time

15 μ s (default)

Interval between the time when the current initially goes to zero (when the diode turns off) and the time when the current falls to less than 10% of the peak reverse current. The value of the **Reverse recovery time, t_{rr}** parameter must be greater than the value of the **Peak reverse current, i_{RM}** parameter divided by the value of the **Rate of change of current when measuring i_{RM}** parameter.

Dependencies

This parameter is visible only when the **Integral protection diode** parameter is set to **Protection diode with charge dynamics** and the **Reverse recovery time parameterization** parameter is set to **Specify reverse recovery time directly**.

Reverse recovery time stretch factor — Reverse recovery time stretch factor

3 (default)

Value that the block uses to calculate **Reverse recovery time, t_{rr}** . This value must be greater than 1. Specifying the stretch factor is an easier way to parameterize the reverse recovery time than specifying the reverse recovery charge. The larger the value of the stretch factor, the longer it takes for the reverse recovery current to dissipate.

Dependencies

This parameter is visible only when the **Integral protection diode** parameter is set to **Protection diode with charge dynamics** and the **Reverse recovery time parameterization** parameter is set to **Specify stretch factor**.

Reverse recovery charge, Q_{rr} — Reverse recovery charge

1500 μ As (default)

Value that the block uses to calculate **Reverse recovery time, t_{rr}** . Use this parameter if the data sheet for your diode device specifies a value for the reverse recovery charge instead of a value for the reverse recovery time.

The reverse recovery charge is the total charge that continues to dissipate when the diode turns off.

The value must be less than $-\frac{i_{RM}^2}{2a}$,

where:

- i_{RM} is the value specified for **Peak reverse current, i_{RM}** .
- a is the value specified for **Rate of change of current when measuring i_{RM}** .

Dependencies

This parameter is visible only when the **Integral protection diode** parameter is set to **Protection diode with charge dynamics** and the **Reverse recovery time parameterization** parameter is set to **Specify reverse recovery charge**.

For more information on these parameters, see Diode.

Thermal Port

Use the thermal port to simulate the effects of generated heat and device temperature. For more information on using thermal ports and on the **Thermal Port** parameters, see “Simulating Thermal Effects in Semiconductors”.

Compatibility Considerations

Update on switching losses and thermal modelling options

Behavior changed in R2020b

From R2020b forward, the GTO (Ideal, Switching) block has improved losses and thermal modelling options.

As a result from these changes:

- The **Energy dissipation time constant** parameter is no longer used. A step in junction temperature now reflects the switching losses. If your model contains a thermal mass directly connected to this block thermal port, remove it and model the thermal mass inside the component itself.
- Electrical and thermal on-state losses are now always identical. The **Thermal loss dependent on** parameter and its options, **Voltage and current** and **Voltage, current, and temperature**, have been renamed to **On-state behavior and switching losses**, **Specify constant values**, and **Tabulate with temperature and current**:
 - If you selected **Voltage and current** for **Thermal loss dependent on**, then the electrical on-state losses are unchanged and their values are determined using the on-state resistance. However, the thermal on-state losses are now also determined by the on-state resistance. Prior to R2020b, the thermal on-state losses were defined by the product of the **On-state voltage** and **Output current, Iout** parameters.
 - If you selected **Voltage, current, and temperature** for **Thermal loss dependent on**, then the thermal on-state losses are unchanged and the **On-state voltage, Vak(Tj,Iak)** parameter sets their values. However, the electrical on-state losses are now equal to the thermal on-state losses. Prior to R2020b, the electrical on-state losses were defined by the value of the on-state resistance.
- The **On-state voltage** parameter is no longer used.

Extended Capabilities

C/C++ Code Generation

Generate C and C++ code using Simulink® Coder™.

See Also

Diode | IGBT (Ideal, Switching) | Ideal Semiconductor Switch | MOSFET (Ideal, Switching) | N-Channel MOSFET | P-Channel MOSFET | Thyristor (Piecewise Linear)

Topics

“Simulating Thermal Effects in Semiconductors”

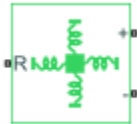
“Switch Between Physical Signal and Electrical Ports”

Introduced in R2013b

Gyro

Behavioral model of MEMS gyro

Library: Simscape / Electrical / Sensors & Transducers



Description

The Gyro block implements a behavioral model of a MicroElectroMechanical Systems (MEMS) gyro. The gyro provides an output voltage that is proportional to the angular rotation rate presented at the mechanical rotational physical port R. The output voltage is limited according to the values that you provide for maximum and minimum output voltage.

Optionally, you can model sensor dynamics by setting the **Dynamics** parameter to `Model sensor bandwidth`. Including dynamics adds a first-order lag between the angular rate presented at port R and the corresponding voltage applied to the electrical + and - ports.

If running your simulation with a fixed-step solver, or generating code for hardware-in-the-loop testing, MathWorks recommends that you set the **Dynamics** parameter to `No dynamics – Suitable for HIL`, because this avoids the need for a small simulation time step if the sensor bandwidth is high.

Variables

Use the **Variables** section of the block interface to set the priority and initial target values for the block variables prior to simulation. For more information, see “Set Priority and Initial Target for Block Variables”.

The **Measured angular rate** variable target specifies the initial output for the sensor.

Ports

Conserving

R — Translational port

mechanical

Mechanical conserving port associated with the gyro translational port.

+ — Positive port

electrical

Electrical conserving port associated with the gyro positive terminal.

- — Negative port

electrical

Electrical conserving port associated with the gyro negative terminal.

Parameters

Sensitivity – Sensitivity

12.5 s*mV/deg (default)

The change in output voltage level per unit change in rotation rate when the output is not being limited.

Output voltage for zero rotation – Output voltage for zero rotation

2.5 V (default)

The output voltage from the sensor when the rotation rate is zero.

Maximum output voltage – Maximum output voltage

4 V (default)

The maximum output voltage from the sensor, which determines the sensor maximum measured rotational rate.

Minimum output voltage – Minimum output voltage

1 V (default)

The minimum output voltage from the sensor, which determines the sensor minimum measured rotational rate.

Dynamics – Dynamics modeling option

No dynamics – Suitable for HIL (default) | Model sensor bandwidth

Select one of the following options for modeling sensor dynamics:

- **No dynamics – Suitable for HIL** — Do not model sensor dynamics. Use this option when running your simulation fixed step or generating code for hardware-in-the-loop testing, because this avoids the need for a small simulation time step if the sensor bandwidth is high. This is the default option.
- **Model sensor bandwidth** — Model sensor dynamics with a first-order lag approximation, based on the **Bandwidth** parameter value. You can control the initial condition for the lag by specifying the **Measured angular rate** variable target.

Bandwidth – Bandwidth

3 kHz (default)

Specifies the 3dB bandwidth for the measured rotational rate assuming a first-order time constant.

Dependencies

This parameter is visible only when you select `Model sensor bandwidth` for the **Dynamics** parameter.

Extended Capabilities

C/C++ Code Generation

Generate C and C++ code using Simulink® Coder™.

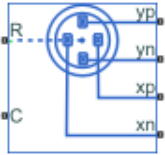
See Also

Introduced in R2012b

Hall-Effect Rotary Encoder

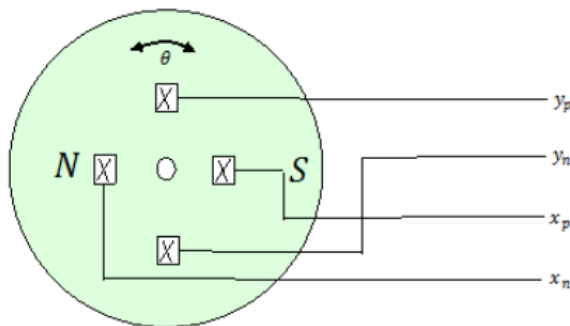
Four-element Hall-effect rotary encoder

Library: Simscape / Electrical / Sensors & Transducers



Description

The Hall-Effect Rotary Encoder block models a 360° rotary position sensor using four Hall elements equally spaced under a magnetized, rotating magnet. The elements generate four sinusoidal waveforms.



Equations

The voltages between the elements of the rotary encoder are described by the equations:

$$v_x = V_{x0} + A_x \cos(\theta)$$

$$v_y = V_{y0} + A_y \cos\left(\theta - \frac{\pi}{2} + \beta\right),$$

where:

- v_x is the voltage between elements x_p and x_n ;
- v_y is the voltage between elements y_p and y_n ;
- A_x and A_y are the voltage amplitudes for the x and y axes that reflect the sensitivity mismatch;
- V_{x0} and V_{y0} are the voltage offsets for the x and y axes;
- β is the quadrature error.

The block uses this equation to decode the angle:

$$\theta_{out} = \arctan\left(\frac{v_y}{v_x}\right).$$

Variables

Use the **Variables** settings to specify the priority and initial target values for the block variables before simulation. For more information, see “Set Priority and Initial Target for Block Variables”.

Ports

Conserving

R — Rotational velocity for the sensor positive probe

mechanical rotational

Mechanical rotational conserving port associated with the sensor positive probe.

C — Rotational velocity for the sensor negative probe

mechanical rotational

Mechanical rotational conserving port associated with the sensor negative (reference) probe.

yp — y-axis positive Hall field

electrical

Electrical conserving port associated with the y-axis positive Hall field.

Dependencies

This port is visible only if you select `Electrical` connections for the **Output interface** parameter in the **Parameters** settings.

yn — y-axis negative Hall field

electrical

Electrical conserving port associated with the y-axis negative Hall field.

Dependencies

This port is visible only if you select `Electrical` connections for the **Output interface** parameter in the **Parameters** settings.

xp — x-axis positive Hall field

electrical

Electrical conserving port associated with the x-axis positive Hall field.

Dependencies

This port is visible only if you select `Electrical` connections for the **Output interface** parameter in the **Parameters** settings.

xn — x-axis negative Hall field

electrical

Electrical conserving port associated with the x-axis negative Hall field.

Dependencies

This port is visible only if you select `Electrical connections` for the **Output interface** parameter in the **Parameters** settings.

Output**Angle — Rotational angle**

physical signal

Physical signal output port for the decoded position in terms of the rotational angle of the magnetic field in the x-y plane.

Dependencies

This port is visible only if you select `Decoded angular position` for the **Output interface** parameter in the **Parameters** settings.

Parameters**X-axis voltage amplitude — x-axis voltage**

2.5 V (default)

X-axis voltage amplitude, in V.

Y-axis voltage amplitude — y-axis voltage

2.5 V (default)

Y-axis voltage amplitude, in V.

X-axis voltage offset — x-axis voltage offset

0 V (default)

Potential difference in the electric current flow through the electric conductor in the absence of external magnetic field on the x-axis, in V.

Y-axis voltage offset — Y-axis voltage offset

0 V (default)

Potential difference in the electric current flow through the electric conductor in the absence of external magnetic field on the y-axis, in V.

Quadrature error — Quadrature error

0 deg (default)

Amount of quadrature error. Quadrature switching can decrease offset errors.

Output interface — Interface for decoded information

`Electrical connections` (default) | `Decoded angular position`

Port interface for decoded information.

Dependencies

The **yp**, **yn**, **xp**, and **xn** conserving ports are visible only if you select `Electrical connections` for the **Output interface** parameter.

The **Angle** physical signal port is visible only if you select `Decoded angular position` for the **Output interface** parameter.

Extended Capabilities

C/C++ Code Generation

Generate C and C++ code using Simulink® Coder™.

See Also

Inductive Rotor Position Sensor

Introduced in R2019b

H-Bridge

H-bridge motor driver

Library: Simscape / Electrical / Semiconductors & Converters / Converters



Description

The H-Bridge block represents an H-bridge motor driver. The block has the following two **Simulation mode** options:

- **PWM** — The H-Bridge block output is a controlled voltage that depends on the input signal at the **PWM** port. If the input signal has a value greater than the **Enable threshold voltage** parameter value, the H-Bridge block output is on and has a value equal to the value of the **Output voltage amplitude** parameter. If it has a value less than the **Enable threshold voltage** parameter value, the block maintains the load circuit using one of the following three **Freewheeling mode** options:
 - Via one semiconductor switch and one freewheeling diode
 - Via two freewheeling diodes
 - Via two semiconductor switches and one freewheeling diode

The first and third options are sometimes referred to as synchronous operation.

The signal at the **REV** port determines the polarity of the output. If the value of the signal at the **REV** port is less than the value of the **Reverse threshold voltage** parameter, the output has positive polarity; otherwise, it has negative polarity.

- **Averaged** — This mode has two **Load current characteristics** options:
 - Smoothed
 - Unsmoothed or discontinuous

The Smoothed option assumes that the current is practically continuous due to load inductance. In this case, the H-Bridge block output is:

$$\frac{V_O V_{PWM}}{A_{PWM}} - I_{OUT} R_{ON}$$

where:

- V_O is the value of the **Output voltage amplitude** parameter.
- V_{PWM} is the value of the voltage at the **PWM** port.
- A_{PWM} is the value of the **PWM signal amplitude** parameter.
- I_{OUT} is the value of the output current.

- R_{ON} is the **Bridge on resistance** parameter.

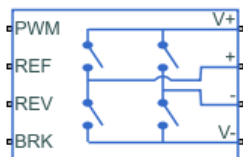
The current will be smooth if the PWM frequency is large enough. Synchronous operation where freewheeling is via a bridge arm back to the supply also helps smooth the current. For cases where the current is not smooth, or possibly discontinuous (that is, it goes to zero between PWM cycles), use the **Unsmoothed** or **discontinuous** option. For this option, you must also provide values for the **Total load series resistance**, **Total load series inductance**, and **PWM frequency**. During simulation, the block uses these values to calculate a more accurate value for H-bridge output voltage that achieves the same average current as would be present if simulating in PWM mode.

Set the **Simulation mode** parameter to **Averaged** to speed up simulations when driving the H-Bridge block with a Controlled PWM Voltage block. You must also set the **Simulation mode** parameter of the Controlled PWM Voltage block to **Averaged** mode. This applies the average of the demanded PWM voltage to the motor. The accuracy of the **Averaged** mode simulation results relies on the validity of your assumption about the load current. If you specify that the current is **Unsmoothed** or **discontinuous**, then the accuracy also depends on the values you provide for load resistance and inductance being representative. This mode also makes some simplifying assumptions about the underlying equations for the case when current is discontinuous. For typical motor and bridge parameters, accuracy should be within a few percent. To verify **Averaged** mode accuracy, run the simulation using the **PWM** mode and compare the results to those obtained from using the **Averaged** mode.

Braking mode is invoked when the voltage presented at the **BRK** port is larger than the **Braking threshold voltage**. Regardless of whether in PWM or **Averaged** mode, when in braking mode the H-bridge is modeled by a series combination of two resistances $R1$ and $R2$ where:

- $R1$ is the resistance of a single bridge arm, that is, half the value of the **Total bridge on resistance** parameter.
- $R2$ is the resistance of a single bridge arm in parallel with a diode resistance, that is, $R1 \cdot Rd / (R1 + Rd)$, where Rd is the diode resistance.

External Power Supply



To model the demands placed on the DC supply, you can choose to expose the power supply ports of the H-Bridge block by setting the **Power supply** parameter to **External**. If the power supply ports are exposed, then only PWM simulation mode is supported.

Note If the **Power supply** parameter is set to **External**, the block is able to figure out the load-side voltage offset by referencing to the supply rail voltages. However, if the supply rail connections are not exposed, you must add an Electrical Reference block on the load side.

Thermal Port

The block has an optional thermal port, hidden by default. To expose the thermal port, right-click the block in your model, and then from the context menu select **Simscape > Block choices > Show thermal port**. This action displays the thermal port **H** on the block icon, and adds the **Temperature Dependence** and **Thermal Port** parameters. These parameters are described further on this reference page.

When the thermal port is visible:

- The heat generated by the bridge on-resistance and freewheeling diodes is added to the thermal port. The thermal port has an associated thermal mass and initial temperature that you can set from the **Thermal Port** parameters.
- The bridge on-resistance and freewheeling diode resistance become functions of temperature. You can define the values for these resistances and the second measurement temperature from the **Temperature Dependence** parameters. Resistance is assumed to vary linearly between the two measurement temperatures. Extrapolation is used for temperatures outside of this range, except for when simulating in averaged mode with discontinuous load current characteristics.

Assumptions and Limitations

- If you are linearizing your model, set the **Simulation mode** parameter to **Averaged** and ensure that you have specified the operating point correctly. You can only linearize the H-Bridge block for duty cycles that are greater than zero and less than the PWM signal amplitude. If you need to linearize around zero duty cycle, and if your controller always uses regenerative braking mode, set the **Regenerative braking** parameter to **Always enabled** (suitable for linearization).
- In **Averaged** mode, and with the **Unsmoothed** or **discontinuous** choice for **Load current characteristics**, you must provide representative values for load inductance and resistance. If driving a DC Motor, then the resistance is the armature resistance, and the inductance is the sum of the armature inductance plus series smoothing inductor (if present). For a Universal Motor, total resistance is the sum of the armature and field windings, and total inductance is the sum of armature and field inductances plus any series smoothing inductance. For a Shunt Motor, MathWorks recommends that you draw a Thévenin equivalent circuit to determine appropriate values.
- No forward voltage is modeled for the freewheeling diodes. They are approximated as ideal resistances when forward biased, with resistance equal to the **Freewheeling diode on resistance** parameter value.
- If the supply rail connections are exposed, only the PWM simulation mode is supported.

Ports

Conserving

+ – Positive load connection port

electrical

Electrical conserving port associated with the positive load connection.

- – Negative load connection port

electrical

Electrical conserving port associated with the negative load connection.

V+ — Positive supply connection

electrical

Electrical conserving port associated with the positive electrical supply connection.

Dependencies

This port is visible only when you select External for the **Power supply** parameter.

V- — Negative supply connection

electrical

Electrical conserving port associated with the negative electrical supply connection.

Dependencies

This port is visible only when you select External for the **Power supply** parameter.

PWM — Pulse-width modulated signal

electrical

Electrical conserving port associated with the pulse-width modulated signal. The voltage is defined relative to the **REF** port.

REF — Reference

electrical

Electrical conserving port associated with the floating zero volt reference.

REV — REV

electrical

Electrical conserving port associated with the voltage that controls when to reverse the polarity of the H-Bridge block output. The voltage is defined relative to the **REF** port.

BRK — BRK

electrical

Electrical conserving port associated with the voltage that controls when to short circuit the H-Bridge block output. The voltage is defined relative to the **REF** port.

H — Thermal port

thermal

Thermal port. For more information, see “Thermal Port” on page 1-578.

Parameters

Simulation Mode & Load Assumptions

Power supply — Visibility of power supply ports

Internal (default) | External

Select one of the following options for the type of power supply:

- `Internal` — The power supply ports are internal and not visible. This is the default option.
- `External` — The power supply ports are exposed.

Simulation mode — Simulation mode`PWM (default) | Averaged`

Select one of the following options for the type of output voltage:

- `PWM` — The output voltage is a pulse-width modulated signal. This is the default option.
- `Averaged` — The output voltage is a constant whose value is equal to the average value of the PWM signal.

Freewheeling mode — Freewheeling mode`Via one semiconductor switch and one freewheeling diode (default) | Via two freewheeling diodes | Via two semiconductor switches and one freewheeling diode`

Select one of the following options for the type of H-bridge dissipation circuit:

- `Via one semiconductor switch and one freewheeling diode` — In this mode, the block controls the load by maintaining one high-side bridge arm permanently on and using the PWM signal to modulate the corresponding low-side bridge arm. This means that the block uses only one of the freewheeling diodes in completing the dissipation circuit when the bridge turns off. This option is the default.
- `Via two freewheeling diodes` — In this mode, all bridge arms are off during the bridge off-state. This means that the block dissipates the load current across the power supply by two freewheeling diodes.
- `Via two semiconductor switches and one freewheeling diode` — In this mode, the block controls the load by maintaining one high-side bridge arm permanently on and using the PWM signal to toggle between enabling the corresponding low-side bridge arm and the opposite high-side bridge arm. This means that the block uses a freewheeling diode in parallel with a bridge arm, plus another series bridge arm, to complete the dissipation circuit when the bridge turns off.

Dependencies

This parameter is visible only when you select `PWM` for the **Simulation mode** parameter, or when you select `Averaged` for the **Simulation mode** parameter and `Unsmoothed` or `discontinuous` for the **Load current characteristics** parameter.

Regenerative braking — Regenerative braking`Depends on REV flag and current sign (default) | Always enabled (suitable for linearization)`

Select one of the following options for the type of H-bridge dissipation circuit:

- `Depends on REV flag and current sign` — This option is the default.
- `Always enabled (suitable for linearization)` — This option can be used when the controller always sets the **REV** flag to ensure regenerative braking. It is useful if you need to linearize the model for control purposes, to ensure that the H-Bridge is linearizable around zero duty cycle demand.

Dependencies

This parameter is visible only when you select `Averaged` for the **Simulation mode** parameter.

Load current characteristics – Load current characteristics

Smoothed (default) | Unsmoothed or discontinuous

Select one of the following options for the type of load current:

- **Smoothed** — Assumes that the current is practically continuous due to load inductance. This option is the default.
- **Unsmoothed or discontinuous** — Use this option for cases where the current is not smooth, or possibly discontinuous (that is, it goes to zero between PWM cycles). For this option, you must also provide values for the **Total load series resistance**, **Total load series inductance**, and **PWM frequency** parameters. During simulation, the block uses these values to calculate a more accurate value for H-bridge output voltage that achieves the same average current as would be present if simulating in PWM mode.

Dependencies

This parameter is only visible when you select Averaged for the **Simulation mode** parameter.

Load total series resistance – Load total series resistance

100hm (default)

The total load series resistance seen by the H-bridge.

Dependencies

This parameter is only visible when you select Averaged for the **Simulation mode** parameter and Unsmoothed or discontinuous for the **Load current characteristics** parameter.

Load total series inductance – Load total series inductance

1e-5H (default)

The total load series inductance seen by the H-bridge. As well as motor inductance, you should include any series inductance added external to the motor to smooth current.

Dependencies

This parameter is only visible when you select Averaged for the **Simulation mode** parameter and Unsmoothed or discontinuous for the **Load current characteristics** parameter.

PWM frequency – PWM Frequency

10kHz (default)

The PWM frequency at which the H-bridge is driven. For consistency, this should be the same value as the PWM frequency specified by the Controlled PWM Voltage block driving the H-Bridge block.

Dependencies

This parameter is only visible when you select Averaged for the **Simulation mode** parameter and Unsmoothed or discontinuous for the **Load current characteristics** parameter.

Freewheeling diode off-state conductance – Freewheeling diode off-state conductance

1e-6S (default)

The conductance of the reverse-biased freewheeling diode.

Dependencies

This parameter is visible only when you select External for the **Power supply** parameter or Averaged for the **Simulation mode** parameter and Depends on REV flag and current sign for the **Regenerative braking** parameter.

Input Thresholds**Enable threshold voltage — Enable threshold voltage**

2.5V (default)

Threshold above which the voltage at the **PWM** port must rise to enable the H-Bridge block output.

Dependencies

This parameter is used only when **Simulation mode**, a **Simulation Mode & Load Assumptions** parameter, is set to PWM.

PWM signal amplitude — PWM signal amplitude

5.0V (default)

The amplitude of the signal at the PWM input.

Dependencies

The H-Bridge block uses this parameter only when the **Simulation mode** parameter on the **Simulation Mode & Load Assumptions** tab is set to Averaged.

Reverse threshold voltage — Reverse threshold voltage

2.5V (default)

When the voltage at the **REV** port is greater than this threshold, the output polarity becomes negative.

Braking threshold voltage — Braking threshold voltage

2.5V (default)

When the voltage at the **BRK** port is greater than this threshold, the H-Bridge block output terminals are short-circuited via the following series of devices:

- One bridge arm
- One bridge arm in parallel with a conducting freewheeling diode

Bridge Parameters**Output voltage amplitude — Output voltage amplitude**

12V (default)

The amplitude of the voltage across the H-Bridge block output ports when the output is on.

Dependencies

This parameter is visible only when you select Internal for the **Power supply** parameter.

Total bridge on resistance — Total bridge on resistance

0.10hm (default)

The total effective resistance of the two semiconductor switches that connect the load to the two power rails when the voltage at the **PWM** port is greater than the value of the **Enable threshold voltage** parameter on the **Input Thresholds** tab.

Freewheeling diode on resistance – Freewheeling diode on resistance

0.050hm (default)

The total resistance in the freewheeling diodes that dissipate the current that flows through the motor when the voltage at the **PWM** port is less than the value of the **Enable threshold voltage** parameter on the **Input Thresholds** tab.

Measurement temperature – Measurement temperature

298.15K (default)

The temperature for which the resistance values on the **Bridge Parameters** tab are specified.

Dependencies

This parameter is visible only for blocks with exposed thermal port. For more information, see “Thermal Port” on page 1-578.

Temperature Dependence

Total bridge on resistance at second measurement temperature – Total bridge on resistance at second measurement temperature

0.10hm (default)

The total effective resistance of the two semiconductor switches that connect the load to the two power rails (as described in the **Total bridge on resistance** parameter definition), quoted at the **Second measurement temperature**.

Freewheeling diode on resistance at second measurement temperature – Freewheeling diode on resistance at second measurement temperature

0.050hm (default)

The total resistance in the freewheeling diodes that dissipate the current that flows through the motor (as described in the **Total bridge on resistance** parameter definition), quoted at the **Second measurement temperature**.

Second measurement temperature – Second measurement temperature

398.15K (default)

The temperature for which for which the resistance values on the **Temperature Dependence** tab are specified.

Thermal Port

Thermal mass – Thermal mass

100J/K (default)

Thermal mass associated with the thermal port **H**. It represents the energy required to raise the temperature of the thermal port by one degree. The default value is 100 J/K.

Initial temperature – Initial temperature

298.15K (default)

The temperature of the thermal port at the start of simulation.

Compatibility Considerations

Freewheeling mode

Behavior changed in R2019b

From R2019b forward, the H-Bridge block has the option to expose the internal supply rail connections.

As a result from this change, inside a model saved in an earlier release, check if the `Freewheeling mode` parameter of a H-Bridge block in `Averaged mode` with the assumption of `Unsmoothed` or `discontinuous current` is still set to the option you require.

Regenerative braking

Behavior changed in R2019b

Prior to R2019b, in `Averaged` simulation mode, regardless of the voltage applied at the **REV** port for controlling block output polarity reversal, the H-Bridge block assumed regenerative braking. A model saved from an earlier release that contains an H-Bridge block in `Averaged` simulation mode will open in later releases with the **Regenerative braking** parameter set to `Always enabled` (suitable for parameterization) and results will be unchanged. It is recommended that you change this parameter to `Depends on REV flag and current sign` so that the **REV** flag is correctly interpreted if not set by the controller for regenerative braking.

Extended Capabilities

C/C++ Code Generation

Generate C and C++ code using Simulink® Coder™.

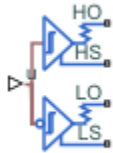
See Also

Introduced in R2008a

Half-Bridge Driver

Behavioral model of half-bridge driver integrated circuit

Library: Simscape / Electrical / Semiconductors & Converters



Description

The Half-Bridge Driver block provides an abstracted representation of an integrated circuit for driving MOSFET and IGBT half-bridges. The block models input hysteresis, propagation delay, and turn-on/turn-off dynamics. Unless modeling a gate driver circuit explicitly, always use this block or the Gate Driver block to set gate-source voltage on a MOSFET block or gate-emitter voltage on an IGBT block. Do not connect a controlled voltage source directly to a semiconductor gate, because this omits the gate driver output impedance that determines switching dynamics.

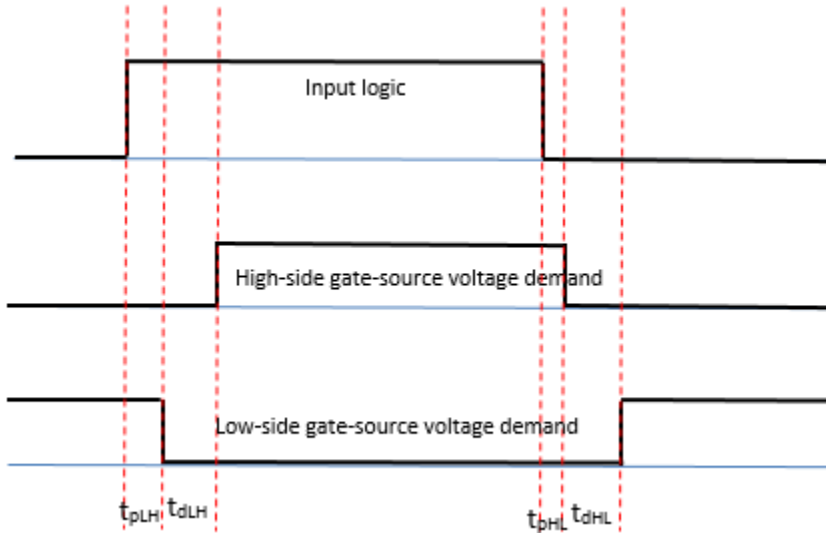
The Half-Bridge Driver block has two modeling variants, accessible by right-clicking the block in your block diagram and then selecting the appropriate option from the context menu, under **Simscape > Block choices**:

- **PS input** — The driver output state is controlled by a physical signal input u . Use this variant if all of your controller, including PWM waveform generation, is determined by Simulink blocks. This modeling variant is the default.
- **Electrical input ports** — The driver output state is controlled by two electrical input connections, PWM and REF. Use this variant if your model has upstream analog components, such as the Controlled PWM Voltage source.

The first pair of output electrical ports, HO and HS, behave in the same way as the G and S ports of the Gate Driver block. Connect these ports to the high-side MOSFET or IGBT of the half-bridge. The second pair of ports, LO and LS, connect to the low-side MOSFET or IGBT of the half-bridge. They behave in a similar way, except that their logic is inverted with respect to that of the high side.

The diagram shows the timing properties for the half-bridge driver, where:

- t_{pLH} is low-side propagation delay when the input logic goes from 0 to 1.
- t_{dLH} is high-side dead time when the input logic goes from 0 to 1.
- t_{pHL} is high-side propagation delay when the input logic goes from 1 to 0.
- t_{dHL} is low-side dead time when the input logic goes from 1 to 0.



Faults

You can insert a fault into one or both of the outputs at a specified simulation time. The fault options are:

- Fail input fixed at logic 0
- Fail input fixed at logic 1
- Fail high side off
- Fail high side on
- Fail low side off
- Fail low side on
- Fail high and low sides off
- Fail high and low sides on

Ports

Input

u — Control signal, unitless

physical signal

Input physical signal that specifies the input control value.

Dependencies

Enabled for the **PS input** variant of the block.

Conserving

PWM — Pulse-width modulated signal

electrical

Electrical conserving port associated with the pulse-width modulated signal.

Dependencies

Enabled for the **Electrical input ports** variant of the block.

REF — Floating zero volt reference

electrical

Electrical conserving port associated with the floating zero volt reference.

Dependencies

Enabled for the **Electrical input ports** variant of the block.

H0 — High-side gate connection

electrical

Electrical conserving port associated with the gate on the high side of the half bridge. Connect this port to the gate of a MOSFET or IGBT block.

HS — High-side source or emitter connection

electrical

Electrical conserving port associated with the source or emitter on the high side of the half bridge. Connect this port to the source of a MOSFET block or the emitter of an IGBT block.

L0 — Low-side gate connection

electrical

Electrical conserving port associated with the gate on the low side of the half bridge. Connect this port to the gate of a MOSFET or IGBT block.

LS — Low-side source or emitter connection

electrical

Electrical conserving port associated with the source or emitter on the low side of the half bridge. Connect this port to the source of a MOSFET block or the emitter of an IGBT block.

Parameters

Input Logic

Logic 1 input value — Signal value for logic 1

0.7 (default)

Value of the input signal corresponding to the logic 1 level.

Dependencies

Enabled for the **PS input** variant of the block.

Logic 0 input value — Signal value for logic 0

0.3 (default)

Value of the input signal corresponding to the logic 0 level.

Dependencies

Enabled for the **PS input** variant of the block.

Logic 1 input voltage — Voltage value for logic 1

2.0 V (default)

Value of the input voltage corresponding to the logic 1 level.

Dependencies

Enabled for the **Electrical input ports** variant of the block.

Logic 0 input voltage — Voltage value for logic 0

0.8 V (default)

Value of the input voltage corresponding to the logic 0 level.

Dependencies

Enabled for the **Electrical input ports** variant of the block.

Outputs**On-state gate-source voltage — Demanded output voltage for on state**

15 V (default)

Demanded output voltage when the driver is in on state.

Off-state gate-source voltage — Demanded output voltage for off state

0 V (default)

Demanded output voltage when the driver is in off state.

Timing**Low-side propagation delay (logic 0->logic 1) — t_{pLH} in timing diagram**

50 ns (default)

Low-side propagation delay when the input logic goes from 0 to 1.

High-side dead time (logic 0->logic 1) — t_{dLH} in timing diagram

100 ns (default)

High-side dead time when the input logic goes from 0 to 1.

High-side propagation delay (logic 1->logic 0) — t_{pHL} in timing diagram

50 ns (default)

High-side propagation delay when the input logic goes from 1 to 0.

Low-side dead time (logic 1->logic 0) — t_{dHL} in timing diagram

100 ns (default)

Low-side dead time when the input logic goes from 1 to 0.

Dynamics

Parameterization — Select driver parameterization

Output impedance (default) | Rise and fall times

Select the type of driver parameterization:

- Output impedance — Specify on-state and off-state gate drive resistances.
- Rise and fall times — Specify rise time, fall time, and load capacitance.

On-state gate drive resistance — Demanded output voltage for on state

2 Ω (default)

Demanded output voltage when the driver is in on state.

Dependencies

Enabled when the **Parameterization** parameter is set to Output impedance.

Off-state gate drive resistance — Demanded output voltage for off state

2 Ω (default)

Demanded output voltage when the driver is in off state.

Dependencies

Enabled when the **Parameterization** parameter is set to Output impedance.

Rise time — Driver rise time

20 ns (default)

Driver rise time from 10% to 90%.

Dependencies

Enabled when the **Parameterization** parameter is set to Rise and fall times.

Fall time — Driver fall time

20 ns (default)

Driver fall time from 90% to 10%.

Dependencies

Enabled when the **Parameterization** parameter is set to Rise and fall times.

Load capacitance for rise and fall times — Driver load capacitance

10 nF (default)

Driver load capacitance.

Dependencies

Enabled when the **Parameterization** parameter is set to Rise and fall times.

Faults

Enable faults — Select Yes to enable faults modeling

No (default) | Yes

Select Yes to enable faults modeling. The associated parameters in the **Faults** section become visible to let you specify time to fail and the failure mode.

Simulation time for fault event — Time before entering faulted state

1 s (default)

Set the simulation time at which you want the block to enter the faulted state.

Dependencies

Enabled when the **Enable faults** parameter is set to Yes.

Failure mode — State of driver after failure

Fail input fixed at logic 0 (default) | Fail input fixed at logic 1 | Fail high side off | Fail high side on | Fail low side off | Fail low side on | Fail high and low sides off | Fail high and low sides on

Select the driver state after the failure.

Dependencies

Enabled when the **Enable faults** parameter is set to Yes.

Extended Capabilities

C/C++ Code Generation

Generate C and C++ code using Simulink® Coder™.

See Also

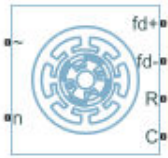
Controlled PWM Voltage | Gate Driver | N-Channel IGBT | N-Channel MOSFET | P-Channel MOSFET

Introduced in R2017b

Hybrid Excitation PMSM

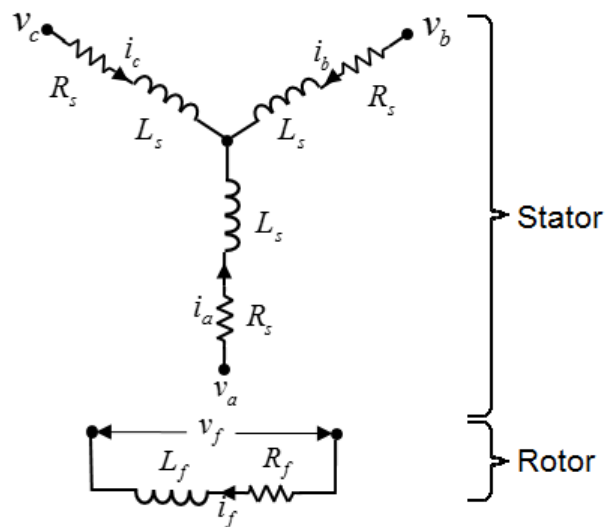
Hybrid excitation synchronous machine with three-phase wye-wound stator

Library: Simscape / Electrical / Electromechanical / Permanent Magnet



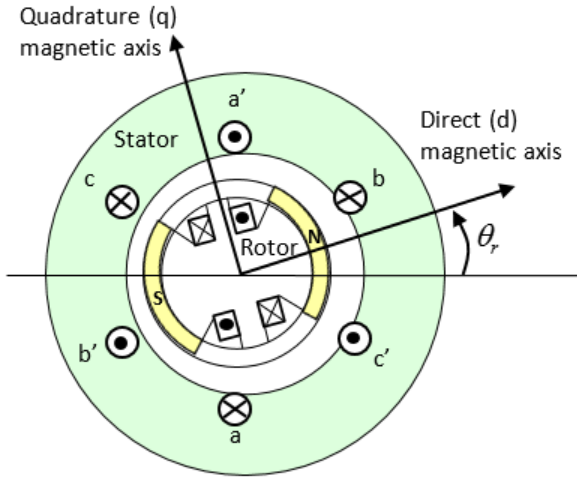
Description

The Hybrid Excitation PMSM block represents a hybrid excitation synchronous machine with a three-phase wye-wound stator. Permanent magnets and excitation windings provide the machine excitation. The figure shows the equivalent electrical circuit for the stator and rotor windings.



Motor Construction

The diagram shows the motor construction with a single pole-pair on the rotor. For the axes convention, when rotor mechanical angle θ_r is zero, the a -phase and permanent magnet fluxes are aligned. The block supports a second rotor axis definition for which rotor mechanical angle is defined as the angle between the a -phase magnetic axis and the rotor q -axis.



Equations

Voltages across the stator windings are defined by

$$\begin{bmatrix} v_a \\ v_b \\ v_c \end{bmatrix} = \begin{bmatrix} R_s & 0 & 0 \\ 0 & R_s & 0 \\ 0 & 0 & R_s \end{bmatrix} \begin{bmatrix} i_a \\ i_b \\ i_c \end{bmatrix} + \begin{bmatrix} \frac{d\psi_a}{dt} \\ \frac{d\psi_b}{dt} \\ \frac{d\psi_c}{dt} \end{bmatrix},$$

where:

- v_a , v_b , and v_c are the individual phase voltages across the stator windings.
- R_s is the equivalent resistance of each stator winding.
- i_a , i_b , and i_c are the currents flowing in the stator windings.
- $\frac{d\psi_a}{dt}$, $\frac{d\psi_b}{dt}$, and $\frac{d\psi_c}{dt}$ are the rates of change of magnetic flux in each stator winding.

The voltage across the field winding is expressed as

$$v_f = R_f i_f + \frac{d\psi_f}{dt},$$

where:

- v_f is the individual phase voltage across the field winding.
- R_f is the equivalent resistance of the field winding.
- i_f is the current flowing in the field winding.
- $\frac{d\psi_f}{dt}$ is the rate of change of magnetic flux in the field winding.

The permanent magnet, excitation winding, and the three star-wound stator windings contribute to the flux linking each winding. The total flux is defined by

$$\begin{bmatrix} \psi_a \\ \psi_b \\ \psi_c \end{bmatrix} = \begin{bmatrix} L_{aa} & L_{ab} & L_{ac} \\ L_{ba} & L_{bb} & L_{bc} \\ L_{ca} & L_{cb} & L_{cc} \end{bmatrix} \begin{bmatrix} i_a \\ i_b \\ i_c \end{bmatrix} + \begin{bmatrix} \psi_{am} \\ \psi_{bm} \\ \psi_{cm} \end{bmatrix} + \begin{bmatrix} L_{amf} \\ L_{bmf} \\ L_{cmf} \end{bmatrix} i_f,$$

where:

- ψ_a , ψ_b , and ψ_c are the total fluxes linking each stator winding.
- L_{aa} , L_{bb} , and L_{cc} are the self-inductances of the stator windings.
- L_{ab} , L_{ac} , L_{ba} , L_{bc} , L_{ca} , and L_{cb} are the mutual inductances of the stator windings.
- ψ_{am} , ψ_{bm} , and ψ_{cm} are the magnetization fluxes linking the stator windings.
- L_{amf} , L_{bmf} , and L_{cmf} are the mutual inductances of the field winding.

The inductances in the stator windings are functions of rotor electrical angle and are defined by

$$\theta_e = N\theta_r + \text{rotor offset}$$

$$L_{aa} = L_s + L_m \cos(2\theta_e),$$

$$L_{bb} = L_s + L_m \cos(2(\theta_e - 2\pi/3)),$$

$$L_{cc} = L_s + L_m \cos(2(\theta_e + 2\pi/3)),$$

$$L_{ab} = L_{ba} = -M_s - L_m \cos(2(\theta_e + \pi/6)),$$

$$L_{bc} = L_{cb} = -M_s - L_m \cos(2(\theta_e + \pi/6 - 2\pi/3)),$$

$$L_{ca} = L_{ac} = -M_s - L_m \cos(2(\theta_e + \pi/6 + 2\pi/3)),$$

where:

- N is the number of rotor pole pairs.
- θ_r is the rotor mechanical angle.
- θ_e is the rotor electrical angle.
- *rotor offset* is θ if you define the rotor electrical angle with respect to the d-axis, or $-\pi/2$ if you define the rotor electrical angle with respect to the q-axis.
- L_s is the stator self-inductance per phase. This value is the average self-inductance of each of the stator windings.
- L_m is the stator inductance fluctuation. This value is fluctuation in self-inductance and mutual inductance with changing rotor angle.
- M_s is the stator mutual inductance. This value is the average mutual inductance between the stator windings.

The magnetization flux linking winding, $a-a'$ is a maximum when $\theta_e = 0^\circ$ and zero when $\theta_e = 90^\circ$. Therefore:

$$\psi_m = \begin{bmatrix} \psi_{am} \\ \psi_{bm} \\ \psi_{cm} \end{bmatrix} = \begin{bmatrix} \psi_m \cos \theta_e \\ \psi_m \cos(\theta_e - 2\pi/3) \\ \psi_m \cos(\theta_e + 2\pi/3) \end{bmatrix},$$

$$L_{mf} = \begin{bmatrix} L_{amf} \\ L_{bmf} \\ L_{cmf} \end{bmatrix} = \begin{bmatrix} L_{mf} \cos \theta_e \\ L_{mf} \cos(\theta_e - 2\pi/3) \\ L_{mf} \cos(\theta_e + 2\pi/3) \end{bmatrix},$$

and

$$\Psi_f = L_f i_f + L_{mf}^T \begin{bmatrix} i_a \\ i_b \\ i_c \end{bmatrix},$$

where:

- ψ_m is the linked motor flux.
- L_{mf} is the mutual field armature inductance.
- ψ_f is the flux linking the field winding.
- L_f is the field winding inductance.
- $[L_{mf}]^T$ is the transform of the L_{mf} vector, that is,

$$[L_{mf}]^T = \begin{bmatrix} L_{amf} \\ L_{bmf} \\ L_{cmf} \end{bmatrix}^T = [L_{amf} \ L_{bmf} \ L_{cmf}].$$

Simplified Equations

Applying the Park transformation to the block electrical defining equations produces an expression for torque that is independent of rotor angle.

The Park transformation is defined by

$$P = 2/3 \begin{bmatrix} \cos \theta_e & \cos(\theta_e - 2\pi/3) & \cos(\theta_e + 2\pi/3) \\ -\sin \theta_e & -\sin(\theta_e - 2\pi/3) & -\sin(\theta_e + 2\pi/3) \\ 0.5 & 0.5 & 0.5 \end{bmatrix}$$

Applying the Park transformation to the first two electrical defining equations produces equations that define the block behavior:

$$v_d = R_s i_d + L_d \frac{di_d}{dt} + L_{mf} \frac{di_f}{dt} - N \omega i_q L_q,$$

$$v_q = R_s i_q + L_q \frac{di_q}{dt} + N \omega (i_d L_d + \psi_m + i_f L_{mf}),$$

$$v_0 = R_s i_0 + L_0 \frac{di_0}{dt},$$

$$v_f = R_f i_f + L_f \frac{di_f}{dt} + \frac{3}{2} L_{mf} \frac{di_d}{dt},$$

$$T = \frac{3}{2} N (i_q (i_d L_d + \psi_m + i_f L_{mf}) - i_d i_q L_q),$$

and

$$J \frac{d\omega}{dt} = T = T_L - B_m \omega.$$

where:

- v_d , v_q , and v_0 are the d -axis, q -axis, and zero-sequence voltages. These voltages are defined by

$$\begin{bmatrix} v_d \\ v_q \\ v_0 \end{bmatrix} = P \begin{bmatrix} v_a \\ v_b \\ v_c \end{bmatrix}.$$

- i_d , i_q , and i_0 are the d -axis, q -axis, and zero-sequence currents, defined by

$$\begin{bmatrix} i_d \\ i_q \\ i_0 \end{bmatrix} = P \begin{bmatrix} i_a \\ i_b \\ i_c \end{bmatrix}.$$

- L_d is the stator d -axis inductance. $L_d = L_s + M_s + 3/2 L_m$.
- ω is the mechanical rotational speed.
- L_q is the stator q -axis inductance. $L_q = L_s + M_s - 3/2 L_m$.
- L_0 is the stator zero-sequence inductance. $L_0 = L_s - 2M_s$.
- T is the rotor torque. For the Hybrid Excitation PMSM block, torque flows from the machine case (block conserving port **C**) to the machine rotor (block conserving port **R**).
- J is the rotor inertia.
- T_L is the load torque.
- B_m is the rotor damping.

Variables

Use the **Variables** settings to specify the priority and initial target values for the block variables before simulation. For more information, see “Set Priority and Initial Target for Block Variables”.

Assumptions

Flux distribution is sinusoidal.

Ports

Conserving

R — Machine rotor

mechanical rotational

Mechanical rotational conserving port associated with the machine rotor.

C — Machine case

mechanical rotational

Mechanical rotational conserving port associated with the machine case.

~ — Three-phase composite

electrical

Expandable three-phase port associated with the stator windings.

n – Neutral phase

electrical

Electrical conserving port associated with the neutral phase.

fd+ – Field winding positive terminal

electrical

Electrical conserving port associated with the field winding positive terminal.

fd- – Field winding negative terminal

electrical

Electrical conserving port associated with the field winding negative terminal.

Parameters

Main

Modeling fidelity – Modeling fidelity

Constant L_d , L_q , L_{mf} , L_f and PM (default) | Tabulated L_d , L_q , L_{mf} , L_f and PM

Select the modeling fidelity:

- Constant L_d , L_q , L_{mf} , L_f and PM — L_d , L_q , L_{mf} , L_f , and PM values are constant and defined by their respective parameters.
- Tabulated L_d , L_q , L_{mf} , L_f and PM — L_d , L_q , L_{mf} , L_f , and PM values are computed online from DQ and field currents look-up tables as follows:

$$L_d = f_1(i_d, i_q, i_f)$$

$$L_q = f_2(i_d, i_q, i_f)$$

$$L_{mf} = f_3(i_d, i_q, i_f)$$

$$\lambda_{PM} = f_4(i_d, i_q, i_f)$$

$$L_f = f_5(i_f)$$

Dependencies

This parameter is visible only when you set the **Stator parameterization** parameter to Specify L_d , L_q , and L_0 .

Number of pole pairs – Rotor pole pairs

6 (default) | integer

Number of permanent magnet pole pairs on the rotor.

Permanent magnet flux linkage – Flux linkage

0.09 Wb (default) | positive integer

Peak permanent magnet flux linkage for any of the stator windings.

Dependencies

This parameter is visible only when you set the **Modeling fidelity** parameter to Constant Ld, Lq, Lmf, Lf and PM.

Stator parameterization – Parameterization model

Specify Ld, Lq and L θ (default) | Specify Ls, Lm, and Ms

Stator parameterization model.

Dependencies

The **Stator parameterization** setting affects the visibility of other parameters.

Stator d-axis inductance, Ld – Inductance

0.0031 H (default)

Direct-axis inductance of the machine stator.

Dependencies

This parameter is visible only when you set the **Stator parameterization** parameter to Specify Ld, Lq, and L θ and the **Modeling fidelity** parameter to Constant Ld, Lq, Lmf, Lf and PM.

Stator q-axis inductance, Lq – Inductance

0.0045 H (default)

Quadrature-axis inductance of the machine stator.

Dependencies

This parameter is visible only when you set the **Stator parameterization** parameter to Specify Ld, Lq, and L θ and the **Modeling fidelity** parameter to Constant Ld, Lq, Lmf, Lf and PM.

Direct-axis current vector, iD – Direct-axis current vector

[-200, 0, 200] A (default)

Direct-axis current vector, iD.

Dependencies

This parameter is visible only when you set the **Stator parameterization** parameter to Specify Ld, Lq, and L θ and the **Modeling fidelity** parameter to Tabulated Ld, Lq, Lmf, Lf and PM.

Quadrature-axis current vector, iQ – Quadrature-axis current vector

[-200, 0, 200] A (default)

Quadrature-axis current vector, iQ.

Dependencies

This parameter is visible only when you set the **Stator parameterization** parameter to Specify Ld, Lq, and L θ and the **Modeling fidelity** parameter to Tabulated Ld, Lq, Lmf, Lf and PM.

Excitation current vector, iF – Excitation current vector

[-20, 0, 20] A (default)

Excitation current vector, i_F .

Dependencies

This parameter is visible only when you set the **Stator parameterization** parameter to Specify Ld, Lq, and L0 and the **Modeling fidelity** parameter to Tabulated Ld, Lq, Lmf, Lf and PM.

Ld matrix, $L_d(i_d, i_q, i_f)$ – Ld matrix

0.0031 * ones(3, 3, 3) H (default)

Ld matrix.

Dependencies

This parameter is visible only when you set the **Stator parameterization** parameter to Specify Ld, Lq, and L0 and the **Modeling fidelity** parameter to Tabulated Ld, Lq, Lmf, Lf and PM.

Lq matrix, $L_q(i_d, i_q, i_f)$ – Lq matrix

0.0045 * ones(3, 3, 3) H (default)

Lq matrix.

Dependencies

This parameter is visible only when you set the **Stator parameterization** parameter to Specify Ld, Lq, and L0 and the **Modeling fidelity** parameter to Tabulated Ld, Lq, Lmf, Lf and PM.

Mutual field armature inductance, $L_{mf}(i_d, i_q, i_f)$ – Mutual field armature inductance

0.0067 * ones(3, 3, 3) H (default)

Mutual field armature inductance.

Dependencies

This parameter is visible only when you set the **Stator parameterization** parameter to Specify Ld, Lq, and L0 and the **Modeling fidelity** parameter to Tabulated Ld, Lq, Lmf, Lf and PM.

Permanent magnet flux linkage, $PM(i_d, i_q, i_f)$ – Permanent magnet flux linkage

0.1 * ones(3, 3, 3) Wb (default)

Permanent magnet flux linkage.

Dependencies

This parameter is visible only when you set the **Stator parameterization** parameter to Specify Ld, Lq, and L0, the **Modeling fidelity** parameter to Tabulated Ld, Lq, Lmf, Lf and PM.

Lf vector, $L_f(i_f)$ – Lf vector

0.06 * ones(1, 3) H (default)

Lf vector.

Dependencies

This parameter is visible only when you set the **Stator parameterization** parameter to Specify Ld, Lq, and L0, the **Modeling fidelity** parameter to Tabulated Ld, Lq, Lmf, Lf and PM.

Stator zero-sequence inductance, L0 – Inductance

0.0006 H (default)

Zero-axis inductance for the machine stator.

Dependencies

This parameter is visible only if **Stator parameterization** is set to Specify Ld, Lq and L0 and **Zero sequence** is set to Include.

Stator self-inductance per phase, Ls – Inductance

0.0027 H (default)

Average self-inductance of the three stator windings.

Dependencies

This parameter is visible only if **Stator parameterization** is set to Specify Ls, Lm, and Ms.

Stator inductance fluctuation, Lm – Inductance

-0.0005 H (default)

Fluctuation in self-inductance and mutual inductance with the rotor angle.

Dependencies

This parameter is visible only if **Stator parameterization** is set to Specify Ls, Lm, and Ms.

Stator mutual inductance, Ms – Inductance

0.0011 H (default)

Average mutual inductance between the stator windings.

Dependencies

This parameter is visible only if **Stator parameterization** is set to Specify Ls, Lm, and Ms.

Field winding inductance, Lf – Inductance

0.06 H (default)

Inductance of the field winding.

Dependencies

This parameter is visible only when you set the **Stator parameterization** parameter to Specify Ld, Lq, and L0 and the **Modeling fidelity** parameter to Constant Ld, Lq, Lmf, Lf and PM or **Stator parameterization** parameter to Specify Ls, Lm, and Ms

Mutual field armature inductance, Lmf – Inductance

0.0067 H (default)

Armature-field mutual inductance.

Dependencies

This parameter is visible only when you set the **Stator parameterization** parameter to Specify Ld, Lq, and L0 and the **Modeling fidelity** parameter to Constant Ld, Lq, Lmf, Lf and PM or **Stator parameterization** parameter to Specify Ls, Lm, and Ms

Stator resistance per phase, Rs — Resistance

0.7 Ohm (default)

Resistance of each of the stator windings.

Field winding resistance, Rf — Resistance

2.85 Ohm (default)

Resistance of the field winding.

Zero sequence — Zero-sequence model

Include (default) | Exclude

Zero-sequence model:

- **Include** — Prioritize model fidelity. An error occurs if you Include zero-sequence terms for simulations that use the Partitioning solver. For more information, see “Increase Simulation Speed Using the Partitioning Solver”.
- **Exclude** — Prioritize simulation speed for desktop simulation or real-time deployment.

Dependencies

If this parameter is set to:

- **Include** and **Stator parameterization** is set to **Specify Ld, Lq, and L0** — The **Stator zero-sequence inductance, L0** parameter is visible.
- **Exclude** — The **Stator zero-sequence inductance, L0** parameter is not visible.

Rotor angle definition — Angle

Angle between the a-phase magnetic axis and the d-axis (default) | Angle between the a-phase magnetic axis and the q-axis

Reference point for the rotor angle measurement. If you select the default value, the rotor and a-phase fluxes are aligned for a zero-rotor angle. Otherwise, an a-phase current generates the maximum torque value for a zero-rotor angle.

Mechanical**Rotor inertia — Inertia**

0.01 kg*m² (default)

Inertia of the rotor attached to mechanical translational port **R**.

Rotor Damping — Damping

0 N*m/(rad/s) (default)

Rotary damping.

References

- [1] Kundur, P. *Power System Stability and Control*. New York, NY: McGraw Hill, 1993.
- [2] Mbayed, R. *Analysis of Faulted Power Systems*. Hoboken, NJ: Wiley-IEEE Press, 1995.
- [3] Anderson, P. M. *Contribution to the Control of the Hybrid Excitation Synchronous Machine for Embedded Applications*. Universite de Cergy Pontoise, 2012.
- [4] Luo, X. and T. A. Lipo. "A Synchronous/Permanent Magnet Hybrid AC Machine." *IEEE Transactions of Energy Conversion*. Vol. 15, No 2 (2000), pp. 203-210.

Extended Capabilities

C/C++ Code Generation

Generate C and C++ code using Simulink® Coder™.

See Also

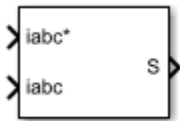
BLDC | PMSM | Switched Reluctance Machine | Synchronous Machine Field Circuit | Synchronous Machine Measurement | Synchronous Reluctance Machine

Introduced in R2017b

Hysteresis Current Controller (Three-Phase)

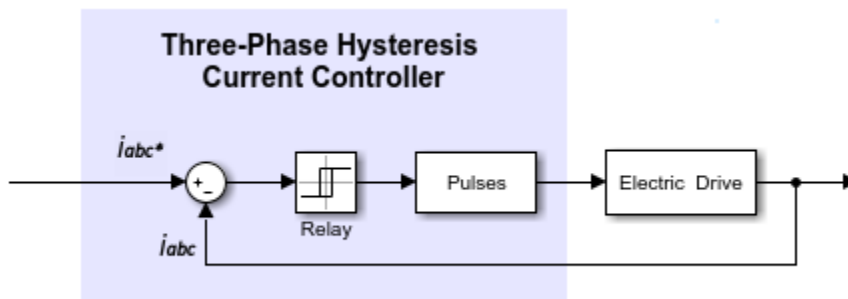
Three-phase hysteresis current control

Library: Simscape / Electrical / Control / General Machine Control



Description

The Hysteresis Current Controller (Three-Phase) block implements three-phase hysteresis current control for power converters.



Ports

Input

i_{abc}^* – Current

vector

Three-phase reference currents.

Data Types: single | double

i_{abc} – Current

vector

Measured three-phase currents.

Data Types: single | double

Output

S – Controller output

vector

Six-pulse vector for power converter control.

Data Types: single | double

Parameters

Current hysteresis band (A) — Hysteresis band

1 (default) | positive number

Hysteresis band, h , for the current controller. The switch-on point is $h/2$ and the switch-off point is $-h/2$.

Sample time (-1 for inherited) — Block sample time

-1 (default) | positive scalar

Time, in s, between consecutive block executions. During execution, the block produces outputs and, if appropriate, updates its internal state. For more information, see “What Is Sample Time?” and “Specify Sample Time”.

If this block is inside a triggered subsystem, inherit the sample time by setting this parameter to -1. If this block is in a continuous variable-step model, specify the sample time explicitly using a positive scalar.

Extended Capabilities

C/C++ Code Generation

Generate C and C++ code using Simulink® Coder™.

See Also

BLDC | Velocity Controller

Introduced in R2018a

Ideal Semiconductor Switch

Ideal Semiconductor Switch

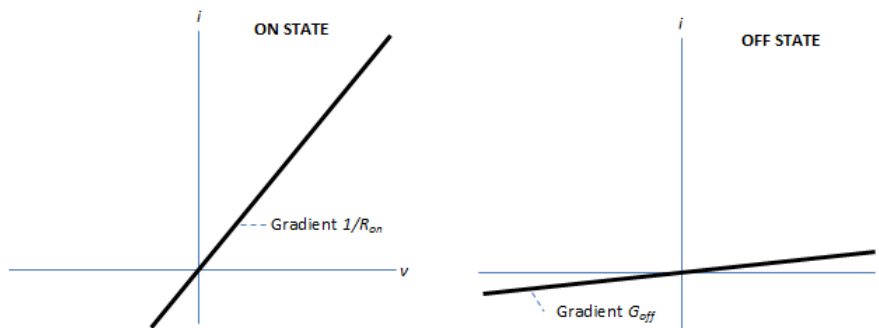
Library: Simscape / Electrical / Semiconductors & Converters



Description

The Ideal Semiconductor Switch block models an ideal semiconductor switching device.

The figure shows a typical i-v characteristic for an ideal semiconductor switch.



If the gate-cathode voltage exceeds the specified threshold voltage, the ideal semiconductor switch is in the on state. Otherwise the device is in the off state.

In the on state, the anode-cathode path behaves like a linear resistor with on-resistance R_{on} .

In the off state, the anode-cathode path behaves like a linear resistor with a low off-state conductance G_{off} .

Using the **Integral Diode** parameters, you can include an integral cathode-anode diode. An integral diode protects the semiconductor device by providing a conduction path for reverse current. An inductive load can produce a high reverse-voltage spike when the semiconductor device suddenly switches off the voltage supply to the load.

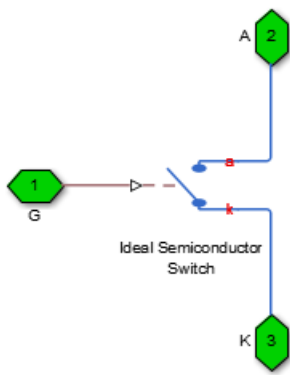
The table shows you how to set the **Integral protection diode** parameter based on your goals.

Goal	Value to Select	Block Behavior
Prioritize simulation speed.	Protection diode with no dynamics	The block includes an integral copy of the Diode block. To parameterize the internal Diode block, use the Protection parameters.

Goal	Value to Select	Block Behavior
Precisely specify reverse-mode charge dynamics.	Protection diode with charge dynamics	The block includes an integral copy of the dynamic model of the Diode block. To parameterize the internal Diode block, use the Protection parameters.

Ports

This figure shows the block port names.



Conserving

G – Gate terminal

electrical

Port associated with the gate terminal. You can set the port to either a physical signal or electrical port.

A – Anode terminal

electrical

Electrical conserving port associated with the anode terminal.

K – Cathode terminal

electrical

Electrical conserving port associated with the cathode terminal.

Parameters

Main

On-state resistance – On-state resistance

0.001 Ohm (default)

Anode-cathode resistance when the device is on.

Off-state conductance — Off-state conductance

1e-6 1/Ohm (default)

Anode-cathode conductance when the device is off. The value must be less than $1/R$, where R is the value of **On-state resistance**.

Threshold voltage, V_{th} — Threshold voltage

0.5 V (default)

Gate-cathode voltage threshold. The device turns on when the gate-cathode voltage is above this value.

Integral Diode**Integral protection diode — Integral protection diode**

None (default) | Protection diode with no dynamics | Protection diode with charge dynamics

Specify whether the block includes an integral protection diode. The default value is **None**.

If you want to include an integral protection diode, there are two options:

- Protection diode with no dynamics
- Protection diode with charge dynamics

Forward voltage — Forward voltage

0.8 V (default)

Minimum voltage required across the + and - block ports for the gradient of the diode I-V characteristic to be $1/R_{on}$, where R_{on} is the value of **On resistance**.

Dependencies

To enable this parameter, set **Integral protection diode** to **Protection diode with no dynamics** or **Protection diode with charge dynamics**.

On resistance — On resistance

0.001 Ohm (default)

Rate of change of voltage versus current above the **Forward voltage**.

Dependencies

To enable this parameter, set **Integral protection diode** to **Protection diode with no dynamics** or **Protection diode with charge dynamics**.

Off conductance — Off conductance

1e-5 1/Ohm (default)

Conductance of the reverse-biased diode.

Dependencies

This parameter is visible only when the **Integral protection diode** parameter is set to **Protection diode with no dynamics** or **Protection diode with charge dynamics**.

Junction capacitance — Junction capacitance

50e-9 F (default)

Diode junction capacitance.

Dependencies

This parameter is visible only when the **Integral protection diode** parameter is set to Protection diode with charge dynamics.

Initial forward current when measuring iRM — Initial forward current when measuring iRM

300 A (default) | positive scalar

Initial forward current when measuring peak reverse current. This value must be greater than zero.

Dependencies

This parameter is visible only when the **Integral protection diode** parameter is set to Protection diode with charge dynamics.

Rate of change of current when measuring iRM — Rate of change of current when measuring iRM

-50A/μs (default) | negative scalar

Rate of change of current when measuring peak reverse current. This value must be less than zero.

Dependencies

This parameter is visible only when the **Integral protection diode** parameter is set to Protection diode with charge dynamics.

Reverse recovery time parameterization — Reverse recovery time parameterization

Specify reverse recovery time directly (default) | Specify stretch factor | Specify reverse recovery charge

Determines how you specify reverse recovery time in the block. The default value is Specify reverse recovery time directly.

If you select Specify stretch factor or Specify reverse recovery charge, you specify a value that the block uses to derive the reverse recovery time. For more information on these options, see “How the Block Calculates T_M and τ ” on page 1-374.

Dependencies

This parameter is visible only when the **Integral protection diode** parameter is set to Protection diode with charge dynamics.

Reverse recovery time, trr — Reverse recovery time

15 μs (default)

Interval between the time when the current initially goes to zero (when the diode turns off) and the time when the current falls to less than 10% of the peak reverse current. The value of the **Reverse recovery time, trr** parameter must be greater than the value of the **Peak reverse current, iRM** parameter divided by the value of the **Rate of change of current when measuring iRM** parameter.

Dependencies

This parameter is visible only when the **Integral protection diode** parameter is set to **Protection diode with charge dynamics** and the **Reverse recovery time parameterization** parameter is set to **Specify reverse recovery time directly**.

Reverse recovery time stretch factor — Reverse recovery time stretch factor

3 (default)

Value that the block uses to calculate **Reverse recovery time, trr**. This value must be greater than 1. Specifying the stretch factor is an easier way to parameterize the reverse recovery time than specifying the reverse recovery charge. The larger the value of the stretch factor, the longer it takes for the reverse recovery current to dissipate.

Dependencies

This parameter is visible only when the **Integral protection diode** parameter is set to **Protection diode with charge dynamics** and the **Reverse recovery time parameterization** parameter is set to **Specify stretch factor**.

Reverse recovery charge, Qrr — Reverse recovery charge

1500 μ As (default)

Value that the block uses to calculate **Reverse recovery time, trr**. Use this parameter if the data sheet for your diode device specifies a value for the reverse recovery charge instead of a value for the reverse recovery time.

The reverse recovery charge is the total charge that continues to dissipate when the diode turns off.

The value must be less than $-\frac{i_{RM}^2}{2a}$,

where:

- i_{RM} is the value specified for **Peak reverse current, iRM**.
- a is the value specified for **Rate of change of current when measuring iRM**.

Dependencies

This parameter is visible only when the **Integral protection diode** parameter is set to **Protection diode with charge dynamics** and the **Reverse recovery time parameterization** parameter is set to **Specify reverse recovery charge**.

For more information on these parameters, see Diode.

Extended Capabilities

C/C++ Code Generation

Generate C and C++ code using Simulink® Coder™.

See Also

Diode | GTO | IGBT (Ideal, Switching) | Ideal Semiconductor Switch | MOSFET (Ideal, Switching) | N-Channel MOSFET | P-Channel MOSFET | Thyristor (Piecewise Linear)

Topics

“Switch Between Physical Signal and Electrical Ports”

Introduced in R2013b

IGBT (Ideal, Switching)

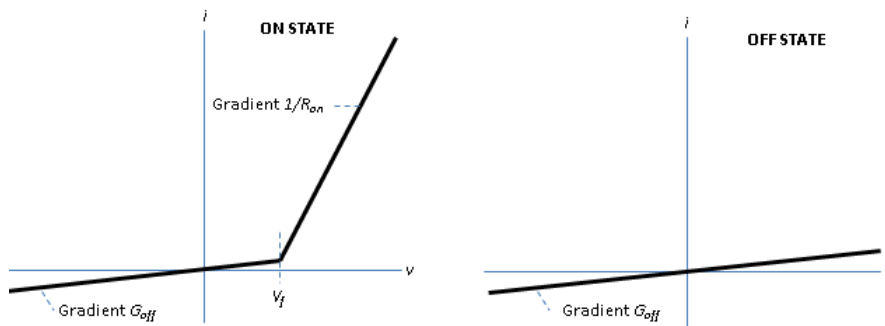
Ideal insulated-gate bipolar transistor for switching applications

Library: Simscape / Electrical / Semiconductors & Converters / Semiconductors



Description

The IGBT (Ideal, Switching) block models an ideal insulated-gate bipolar transistor (IGBT) for switching applications. The switching characteristic of an IGBT is such that if the gate-emitter voltage exceeds the specified threshold voltage, V_{th} , the IGBT is in the on state. Otherwise, the device is in the off state. This figure shows a typical i-v characteristic:



To define the I-V characteristic of the IGBT, set the **On-state behaviour and switching losses** parameter to either **Specify constant values** or **Tabulate with temperature and current**. The **Tabulate with temperature and current** option is available only if you expose the thermal port of the block.

In the on state, the collector-emitter path behaves like a linear diode with forward-voltage drop, V_f , and on-resistance, R_{on} . However, if you expose the thermal port of the block and parameterize the device using tabulated I-V data, the tabulated resistance is a function of the temperature and current.

In the off state, the collector-emitter path behaves like a linear resistor with a low off-state conductance value, G_{off} .

The defining Simscape equations for the block are:

```

if (v>Vf)&&(G>Vth)
    i == (v - Vf*(1-Ron*Goff))/Ron;
else
    i == v*Goff;
end

```

where:

- v is the collector-emitter voltage.
- V_f is the forward voltage.
- G is the gate-emitter voltage.
- V_{th} is the threshold voltage.
- i is the collector-emitter current.
- R_{on} is the on-state resistance.
- G_{off} is the off-state conductance.

Integral Protection Diode Option

Using the **Integral Diode** parameters, you can include an integral emitter-collector diode. An integral diode protects the semiconductor device by providing a conduction path for reverse current. An inductive load can produce a high reverse-voltage spike when the semiconductor device suddenly switches off the voltage supply to the load.

Set the **Integral protection diode** parameter based on your goal.

Goal	Value to Select	Block Behavior
Prioritize simulation speed.	Protection diode with no dynamics	The block includes an integral copy of the Diode block. To parameterize the internal Diode block, use the Protection parameters.
Precisely specify reverse-mode charge dynamics.	Protection diode with charge dynamics	The block includes an integral copy of the dynamic model of the Diode block. To parameterize the internal Diode block, use the Protection parameters.

Modeling Variants

The block provides four modeling variants. To select the desired variant, right-click the block in your model. From the context menu, select **Simscape > Block choices**, and then one of these variants:

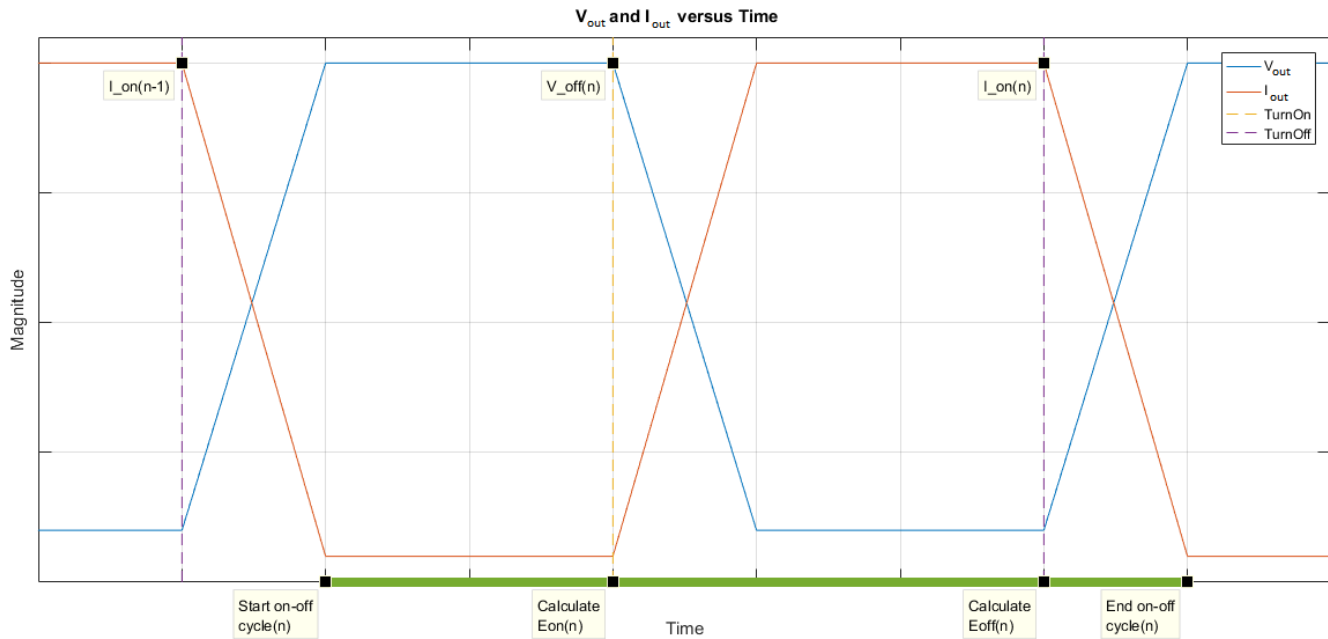
- **PS Control Port** — Contains a physical signal port that is associated with the gate terminal. This variant is the default.
- **Electrical Control Port** — Contains an electrical conserving port that is associated with the gate terminal.
- **PS Control Port | Thermal Port** — Contains a thermal port and a physical signal port that is associated with the gate terminal.
- **Electrical Control Port | Thermal Port** — Contains a thermal port and an electrical conserving port that is associated with the gate terminal.

The variants of this block without the thermal port do not simulate heat generation in the device.

The variants with the thermal port allow you to model the heat that switching events and conduction losses generate. The thermal port is hidden by default. To enable the thermal port, select a thermal block variant.

Thermal Losses

The figure shows an idealized representation of the output voltage, V_{out} , and the output current, I_{out} , of the semiconductor device. The interval shown includes the entire n^{th} switching cycle, during which the block turns off and then on.



Switching losses are one of the main sources of thermal loss in semiconductors. During each on-off switching transition, the IGBT parasitics store and then dissipate energy.

Switching losses depend on the off-state voltage and the on-state current. When a switching device is turned on, the power losses depend on the initial off-state voltage across the device and the final on-state current once the device is fully in its on state. Similarly, when a switching device is turned off, the power losses depend on the initial on-state current through the device and the final off-state voltage once the device is fully in its off state.

In this block, switching losses are applied to the attached thermal network using a first-order time constant, resulting in smooth change in temperature of the junction thermal mass. The **Switch-on loss, $E_{on}(T_j, I_{ce})$** and **Switch-off loss, $E_{off}(T_j, I_{ce})$** parameter values set the sizes of the switching losses and they are either fixed or dependent on junction temperature and drain-source current. In both cases, losses are scaled by the off-state voltage prior to the latest device turn-on event.

Note As the final current after a switching event is not known during the simulation, the block records the on-state current at the point that the device is commanded off. Similarly, the block records the off-state voltage at the point that the device is commanded on. For this reason, the simlog does not report the switching losses to the thermal network until one switching cycle later.

For all ideal switching devices, the switching losses are reported as `lastTurnOffLoss` and `lastTurnOnLoss` and plotted as a pulse with amplitude equal to the energy loss. If you use a script to sum the total losses over a defined simulation period, you must sum the number of pulses scaled off the reported switching loss.

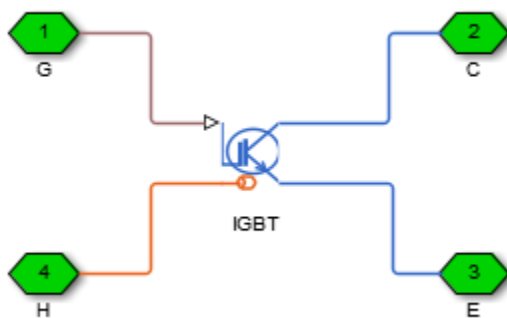
Variables

The **Variables** settings allow you to specify the priority and initial target values for block variables before simulation. For more information, see “Set Priority and Initial Target for Block Variables”.

To enable the **Variables** settings for this block, set the variant to **PS Control Port | Thermal Port** or **Electrical Control Port | Thermal Port**.

Ports

The figure shows the block port names.



Conserving

G – Gate terminal

electrical

Port associated with the gate terminal. You can set the port to either a physical signal or electrical port

C – Collector terminal

electrical

Electrical conserving port associated with the collector terminal

E – Emitter terminal

electrical

Electrical conserving port associated with the emitter terminal

H – Thermal port

thermal

Thermal conserving port. The thermal port is optional and is hidden by default. To enable this port, select a variant that includes a thermal port.

Parameters

Main

This table shows how the visibility of **Main** parameters depends on how you configure the **Block choice** and **On-state behavior and switching losses** parameters. To learn how to read this table, see “Parameter Dependencies” on page A-2.

Main Parameter Dependencies

Parameters and Options		
Block choice		
<i>PS control port or Electrical control port</i>	<i>PS control port Thermal port or Electrical control port Thermal port</i>	
Forward voltage, Vf	Threshold voltage, Vth	
On-state resistance	On-state behaviour and switching losses	
	<i>Specify constant values</i>	<i>Tabulate with temperature and current</i>
Off-state conductance	Forward voltage, Vf	On-state voltage, Vds(Tj,Ice)
Threshold voltage, Vth	On-state resistance	Off-state conductance
	Off-state conductance	Switch-on loss, Eon(Tj,Ice)
	Switch-on loss	Switch-off loss, Eoff(Tj,Ice)
	Switch-off loss	Temperature vector, Tj
	Off-state voltage for switching loss data	Collector-emitter current vector, Ice
	On-state current for switching loss data	Off-state voltage for switching loss data
	Energy dissipation time constant	Energy dissipation time constant

On-state behaviour and switching losses – On-state current for switching loss data

Specify constant values (default) | Tabulate with temperature and current

Select a parameterization method. The option that you select determines which other parameters are enabled. Options are:

- **Specify constant values** — Use scalar values to specify the output current, switch-on loss, and switch-off loss data. This is the default parameterization method.
- **Tabulate with temperature and current** — Use vectors to specify the output current, switch-on loss, switch-off loss, and temperature data.

Dependencies

See the Main Parameter Dependencies table.

Forward voltage, V_f — Forward voltage

0.8 V (default)

Minimum voltage required across the collector and emitter block ports for the gradient of the diode I-V characteristic to be $1/R_{on}$, where R_{on} is the value of **On-state resistance**.

Dependencies

See the Main Parameter Dependencies table.

On-state resistance — On-state collector-emitter resistance

0.001 Ohm (default)

Collector-emitter resistance when the device is on.

Dependencies

See the Main Parameter Dependencies table.

Off-state conductance — Off-state collector-emitter conductance

1e-5 1/Ohm (default)

Collector-emitter conductance when the device is off. The value must be less than $1/R$, where R is the value of **On-state resistance**.

Dependencies

See the Main Parameter Dependencies table.

Threshold voltage, V_{th} — Threshold voltage

6 V (default)

Gate-emitter voltage at which the device turns on.

Dependencies

See the Main Parameter Dependencies table.

Switch-on loss — Switch-on loss

22.86e-3 J (default)

Energy dissipated during a single switch-on event. This parameter is defined as a function of temperature and final on-state output current. Specify this parameter using a scalar quantity.

Dependencies

See the Main Parameter Dependencies table.

Switch-off loss — Switch-off loss

17.14e-3 J (default)

Energy dissipated during a single switch-off event. This parameter is defined as a function of temperature and final on-state output current. Specify this parameter using a scalar quantity.

Dependencies

See the Main Parameter Dependencies table.

Off-state voltage for switching loss data — Off-state voltage for losses data

300 V (default)

The output voltage of the device during the off state. This is the blocking voltage at which the switch-on loss and switch-off loss data are defined.

Dependencies

See the Main Parameter Dependencies table.

On-state current for switching loss data — Output current

600 A (default)

Output currents for which the switch-on loss, switch-off loss, and on-state voltage are defined. The first element must be zero. Specify this parameter using a scalar quantity.

Dependencies

See the Main Parameter Dependencies table.

On-state voltage, $V_{ds}(T_j, I_{ce})$ — On-state voltage

[0, .1, .6, .8, 1, 1.3, 1.6, 2, 2.4; 0, .1, .7, 1, 1.2, 1.5, 1.9, 2.4, 2.8] V (default)

Voltage drop across the device while it is in a triggered conductive state. This parameter is defined as a function of temperature and final on-state output current. Specify this parameter using a vector quantity.

Dependencies

See the Main Parameter Dependencies table.

Switch-on loss, $E_{on}(T_j, I_{ce})$ — Switch-on loss

[0, .0024, .024, .12, .2, .48, 1.04, 2.16, 3.24; 0, .003, .03, .15, .25, .6, 1.3, 2.7, 4.05] * 1e-3 J (default)

Energy dissipated during a single switch on event. This parameter is defined as a function of temperature and final on-state output current. Specify this parameter using a vector quantity.

Dependencies

See the Main Parameter Dependencies table.

Switch-off loss, $E_{off}(T_j, I_{ce})$ — Switch-off loss

[0, .0007, .0066, .033, .066, .17, .33, .83, 1.5; 0, .001, .01, .05, .1, .25, .5, 1.2, 2.2] * 1e-3 J (default)

Energy dissipated during a single switch-off event. This parameter is defined as a function of temperature and final on-state output current. Specify this parameter using a vector quantity.

Dependencies

See the Main Parameter Dependencies table.

Temperature vector, T_j — Temperature vector

[298.15, 398.15] K (default)

Temperature values at which the switch-on loss, switch-off loss, and on-state voltage are specified. Specify this parameter using a vector quantity.

Dependencies

See the Main Parameter Dependencies table.

Collector-emitter current vector, I_{ce} — Collector-emitter current vector

[0, .1, 1, 5, 10, 20, 40, 70, 100] A (default)

Collector-emitter currents for which the switch-on loss, switch-off loss and on-state voltage are defined. The first element must be zero. Specify this parameter using a vector quantity.

Dependencies

See the Main Parameter Dependencies table.

Energy dissipation time constant — Time constant

1e-4 s (default)

First-order time lag with which instantaneous switching losses smoothly raise the junction temperature.

Dependencies

See the Main Parameter Dependencies table.

Integral Diode

Integral protection diode — Integral protection diode

None (default) | Protection diode with no dynamics | Protection diode with charge dynamics

Block integral protection diode.

The diodes you can select are:

- None
- Protection diode with no dynamics
- Protection diode with charge dynamics

Diode model — Diode model

Piecewise Linear (default) | Tabulated I-V curve

Select one of these diode models:

- **Piecewise Linear** — Use a piecewise linear model for the diode, as described in “Piecewise Linear Diode” on page 1-370. This is the default method.
- **Tabulated I-V curve** — Use tabulated forward bias I-V data plus fixed reverse bias off conductance.

Dependencies

This parameter is visible only when the thermal port is exposed and the **Integral protection diode** parameter is set to Protection diode with no dynamics or Protection diode with charge dynamics.

Forward voltage — Forward voltage

0.8 V (default)

Minimum voltage required across the + and - block ports for the gradient of the diode I-V characteristic to be $1/R_{on}$, where R_{on} is the value of **On resistance**.

Dependencies

To enable this parameter:

- If the thermal port is hidden, set **Integral protection diode** to Protection diode with no dynamics or Protection diode with charge dynamics.
- If the thermal port is exposed, set **Integral protection diode** to Protection diode with no dynamics or Protection diode with charge dynamics and **Diode model** to Piecewise linear.

On resistance — On resistance

0.001 Ohm (default)

Rate of change of voltage versus current above the **Forward voltage**.

Dependencies

To enable this parameter:

- If the thermal port is hidden, set **Integral protection diode** to Protection diode with no dynamics or Protection diode with charge dynamics.
- If the thermal port is exposed, set **Integral protection diode** to Protection diode with no dynamics or Protection diode with charge dynamics and **Diode model** to Piecewise linear.

Forward currents, If(Tj,Vf) — Vector of forward currents

[.07, .12, .19, 1.75, 4.24, 7.32, 11.2; .16, .3, .72, 2.14, 4.02, 6.35, 9.12]
A (default) | nonnegative vector

Forward currents. This parameter must be a vector of at least three nonnegative elements.

Dependencies

To enable this parameter, expose the thermal port and set **Diode model** to Tabulated I-V curve.

Junction temperatures, Tj — Vector of junction temperatures

[25, 125] degC (default)

Vector of junction temperatures. This parameter must be a vector of at least two elements.

Dependencies

To enable this parameter, expose the thermal port and set **Diode model** to Tabulated I-V curve.

Forward voltages, Vf – Vector of forward voltages

[.5, .7, .9, 1.3, 1.7, 2.1, 2.5] V (default)

Vector of forward voltages. This parameter must be a vector of at least three nonnegative values.

Dependencies

To enable this parameter, expose the thermal port and set **Diode model** to Tabulated I-V curve.

Off conductance – Off conductance

1e-5 1/Ohm (default)

Conductance of the reverse-biased diode.

Dependencies

This parameter is visible only when the **Integral protection diode** parameter is set to Protection diode with no dynamics or Protection diode with charge dynamics.

Junction capacitance – Junction capacitance

50e-9 F (default)

Diode junction capacitance.

Dependencies

This parameter is visible only when the **Integral protection diode** parameter is set to Protection diode with charge dynamics.

Peak reverse current, i_{RM} – Peak reverse current

-235 A (default) | negative scalar

Peak reverse current measured by an external test circuit. This value must be less than zero. The default value is -235 A.

Dependencies

This parameter is visible only when the **Integral protection diode** parameter is set to Protection diode with charge dynamics.

Initial forward current when measuring i_{RM} – Initial forward current when measuring i_{RM}

300 A (default) | positive scalar

Initial forward current when measuring peak reverse current. This value must be greater than zero.

Dependencies

This parameter is visible only when the **Integral protection diode** parameter is set to Protection diode with charge dynamics.

Rate of change of current when measuring i_{RM} – Rate of change of current when measuring i_{RM}

-50A/μs (default) | negative scalar

Rate of change of current when measuring peak reverse current. This value must be less than zero.

Dependencies

This parameter is visible only when the **Integral protection diode** parameter is set to Protection diode with charge dynamics.

Reverse recovery time parameterization — Reverse recovery time parameterization
Specify reverse recovery time directly (default) | Specify stretch factor | Specify reverse recovery charge

Determines how you specify reverse recovery time in the block. The default value is Specify reverse recovery time directly.

If you select Specify stretch factor or Specify reverse recovery charge, you specify a value that the block uses to derive the reverse recovery time. For more information on these options, see “How the Block Calculates T_M and τ ” on page 1-374.

Dependencies

This parameter is visible only when the **Integral protection diode** parameter is set to Protection diode with charge dynamics.

Reverse recovery time, t_{rr} — Reverse recovery time

15 μ s (default)

Interval between the time when the current initially goes to zero (when the diode turns off) and the time when the current falls to less than 10% of the peak reverse current. The value of the **Reverse recovery time, t_{rr}** parameter must be greater than the value of the **Peak reverse current, i_{RM}** parameter divided by the value of the **Rate of change of current when measuring i_{RM}** parameter.

Dependencies

This parameter is visible only when the **Integral protection diode** parameter is set to Protection diode with charge dynamics and the **Reverse recovery time parameterization** parameter is set to Specify reverse recovery time directly.

Reverse recovery time stretch factor — Reverse recovery time stretch factor

3 (default)

Value that the block uses to calculate **Reverse recovery time, t_{rr}** . This value must be greater than 1. Specifying the stretch factor is an easier way to parameterize the reverse recovery time than specifying the reverse recovery charge. The larger the value of the stretch factor, the longer it takes for the reverse recovery current to dissipate.

Dependencies

This parameter is visible only when the **Integral protection diode** parameter is set to Protection diode with charge dynamics and the **Reverse recovery time parameterization** parameter is set to Specify stretch factor.

Reverse recovery charge, Q_{rr} — Reverse recovery charge

1500 μ As (default)

Value that the block uses to calculate **Reverse recovery time, t_{rr}** . Use this parameter if the data sheet for your diode device specifies a value for the reverse recovery charge instead of a value for the reverse recovery time.

The reverse recovery charge is the total charge that continues to dissipate when the diode turns off.

The value must be less than $-\frac{i_{RM}^2}{2a}$,

where:

- i_{RM} is the value specified for **Peak reverse current, iRM**.
- a is the value specified for **Rate of change of current when measuring iRM**.

Dependencies

This parameter is visible only when the **Integral protection diode** parameter is set to Protection diode with charge dynamics and the **Reverse recovery time parameterization** parameter is set to Specify reverse recovery charge.

Thermal Port

Use the thermal port to simulate the effects of generated heat and device temperature. For more information on using thermal ports and on the **Thermal Port** parameters, see “Simulating Thermal Effects in Semiconductors”.

Compatibility Considerations

Update on switching losses and thermal modelling options

Behavior changed in R2020b

From R2020b forward, the IGBT (Ideal, Switching) block has improved losses and thermal modelling options.

As a result from these changes:

- The **Energy dissipation time constant** parameter is no longer used. A step in junction temperature now reflects the switching losses. If your model contains a thermal mass directly connected to this block thermal port, remove it and model the thermal mass inside the component itself.
- Electrical and thermal on-state losses are now always identical. The **Thermal loss dependent on** parameter and its options, **Voltage** and **current** and **Voltage, current, and temperature**, have been renamed to **On-state behavior and switching losses**, **Specify constant values**, and **Tabulate with temperature and current**:
 - If you selected **Voltage** and **current** for **Thermal loss dependent on**, then the electrical on-state losses are unchanged and their values are determined using the on-state resistance. However, the thermal on-state losses are now also determined by the on-state resistance. Prior to R2020b, the thermal on-state losses were defined by the product of the **On-state voltage** and **Output current, Iout** parameters.
 - If you selected **Voltage, current, and temperature** for **Thermal loss dependent on**, then the thermal on-state losses are unchanged and the **On-state voltage, Vds(Tj,Ice)** parameter sets their values. However, the electrical on-state losses are now equal to the thermal on-state losses. Prior to R2020b, the electrical on-state losses were defined by the value of the on-state resistance.
- The **On-state voltage** parameter is no longer used.

Extended Capabilities

C/C++ Code Generation

Generate C and C++ code using Simulink® Coder™.

See Also

Diode | GTO | Ideal Semiconductor Switch | MOSFET (Ideal, Switching) | Thyristor (Piecewise Linear)

Topics

“Simulating Thermal Effects in Semiconductors”

“Switch Between Physical Signal and Electrical Ports”

Introduced in R2013b

Incandescent Lamp

Incandescent lamp with temperature dependent resistance

Library: Simscape / Electrical / Passive



Description

The Incandescent Lamp block models an incandescent lamp, the key characteristic of which is that the resistance increases as the filament warms up.

Under the simplifying assumption that the rate of heat loss from the filament is proportional to temperature difference to ambient, the temperature of the filament is governed by

$$kt_c \frac{dT}{dt} = i^2 R - kT$$

and the filament resistance is governed by the following equation

$$R = R_0(1 + \alpha T)$$

where:

- R_0 is the initial resistance at turn-on (when filament is at ambient temperature).
- T is the filament temperature relative to ambient temperature.
- α is the resistance temperature coefficient.
- t_c is the thermal time constant.
- k is the heat transfer coefficient.
- R is the filament resistance.
- i is the filament current.

There are two parameterization options:

- If you select **Specify resistance values directly**, the block uses values that you provide for filament resistance when on and at turn-on to determine the value for the heat transfer coefficient.
- If you select **Specify currents**, the block uses values that you provide for filament current when on and at turn-on to determine the value for the heat transfer coefficient.

Optionally you can specify a simulation time at which the lamp fails by providing a finite value for the **Time at which lamp goes open circuit** parameter on the **Faults** tab. When in the open-circuit state, the lamp resistance is set to be the value of the **Open-circuit resistance** parameter.

Ports

Conserving

+ – Positive terminal

electrical

Electrical conserving port associated with the lamp positive voltage.

- – Negative terminal

electrical

Electrical conserving port associated with the lamp negative voltage.

Parameters

Resistance

Parameterization – Block parameterization

Specify resistance values directly (default) | Specify currents

Select one of the following methods for block parameterization:

- Specify resistance values directly — Provide the values for filament resistance at turn-on and when on in steady state. The block determines the value for the heat transfer coefficient based on these values. This is the default option.
- Specify currents — Provide the values for filament current at turn-on and when on in steady state. The block determines the value for the heat transfer coefficient based on these values.

Initial resistance at turn-on – Initial resistance at turn-on

0.15 Ohm (default)

The resistance seen by the external circuit when the lamp is initially turned on.

Dependencies

This parameter is visible only when you select Specify resistance values directly for the **Parameterization** parameter.

Steady-state resistance when on – Steady-state resistance when on

1 Ohm (default)

The resistance seen by the external circuit when the lamp is on and in steady state. This resistance should be greater than the **Initial resistance at turn-on**.

Dependencies

This parameter is visible only when you select Specify resistance values directly for the **Parameterization** parameter.

Inrush current at turn-on – Inrush current at turn-on

70 A (default)

The current through the lamp when it is initially turned on.

Dependencies

This parameter is visible only when you select **Specify currents** for the **Parameterization** parameter.

Steady-state current when on — Steady-state current when on

10 A (default)

The current through the lamp when it is on and in steady state. This current should be less than the **Inrush current at turn-on**.

Dependencies

This parameter is visible only when you select **Specify currents** for the **Parameterization** parameter.

Rated voltage — Lamp rated voltage

12 V (default)

The rated voltage for the lamp, and the voltage value for which the resistance or current values are provided in the on and turn-on states.

Resistance temperature coefficient — Resistance temperature coefficient

0.004 1/K (default)

The fractional increase in resistance per unit increase in temperature.

Dynamics**Thermal time constant — Thermal time constant**

25 ms (default)

The first-order thermal time constant for filament temperature when the lamp is turned on or off.

Initial lamp state — Initial lamp state

Off (default) | On

Select between On and Off.

Faults**Time at which lamp goes open circuit — Time at which lamp goes open circuit**

inf s (default)

For simulation times greater than this parameter value the filament resistance becomes equal to the **Open-circuit resistance**. Specifying a finite value for this parameter lets you simulate the fault dynamics when the bulb burns out.

Open-circuit resistance — Open-circuit resistance

1e6 Ohm (default)

The value of the filament resistance used when the lamp goes open-circuit.

Extended Capabilities

C/C++ Code Generation

Generate C and C++ code using Simulink® Coder™.

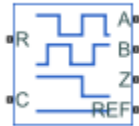
See Also

Introduced in R2012b

Incremental Shaft Encoder

Behavioral model that converts angular position to electrical pulses

Library: Simscape / Electrical / Sensors & Transducers



Description

The Incremental Shaft Encoder block represents a device that converts information about the angular position of a shaft into electrical pulses. The block produces N pulses on ports **A** and **B** per shaft revolution, where N is the value you specify for the **Pulses per revolution** parameter. Pulses **A** and **B** are 90 degrees out of phase. If the shaft rotates in a positive direction, then **A** leads **B**. The block produces a single index pulse on port **Z** once per revolution. The **Z**-pulse positive transition always coincides with an **A**- pulse positive transition, and **Z**- pulse length is equal to the length for the **A** and **B** pulses. The voltages at ports **A**, **B**, and **Z** are defined relative to the **Ref** reference port voltage.

Use this block if you need to model the shaft encoder signals, either to support development of a decoding algorithm or to include the quantization effects. Otherwise, use the Ideal Rotational Motion Sensor block from the Simscape Foundation library.

Assumptions and Limitations

- The Incremental Shaft Encoder block is not linearizable. For control design studies that require model linearization, use the Ideal Rotational Motion Sensor block from the Simscape Foundation library.

Ports

Conserving

R — Rotational velocity

mechanical rotational

Mechanical rotational conserving port associated with the sensor positive probe.

C — Rotational velocity

mechanical rotational

Mechanical rotational conserving port associated with the sensor negative (reference) probe.

A — Voltage

electrical

Encoded electrical output.

B — Voltage

electrical

Encoded electrical output.

Z – Index or synchronization

electrical

Index, or synchronization, electrical output.

Ref – Voltage

electrical

Floating zero-volt reference.

Parameters**Pulses per revolution – Pulse count**

2 (default)

Number of pulses produced on each of the *A* and *B* phases per revolution of the shaft.

Output voltage amplitude – Voltage

5 V (default)

Amplitude of the shaft encoder output voltage when the output is high.

Index pulse offset relative to shaft initial angle – Position

0 deg (default)

Offset of the index pulse *Z* relative to the angle of the shaft at the start of the simulation. This parameter lets you set the initial location of the index pulse.

Extended Capabilities**C/C++ Code Generation**

Generate C and C++ code using Simulink® Coder™.

See Also**Simscape Blocks**

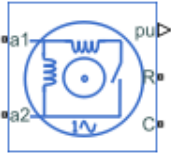
Ideal Rotational Motion Sensor

Introduced in R2017b

Induction Machine (Single-Phase)

Single-phase induction machine with SI or pu fundamental parameterization

Library: Simscape / Electrical / Electromechanical / Asynchronous



Description

The Induction Machine (Single-Phase) block represents a single-phase induction machine with a squirrel cage rotor with fundamental parameters expressed in per-unit or in the International System of Units (SI).

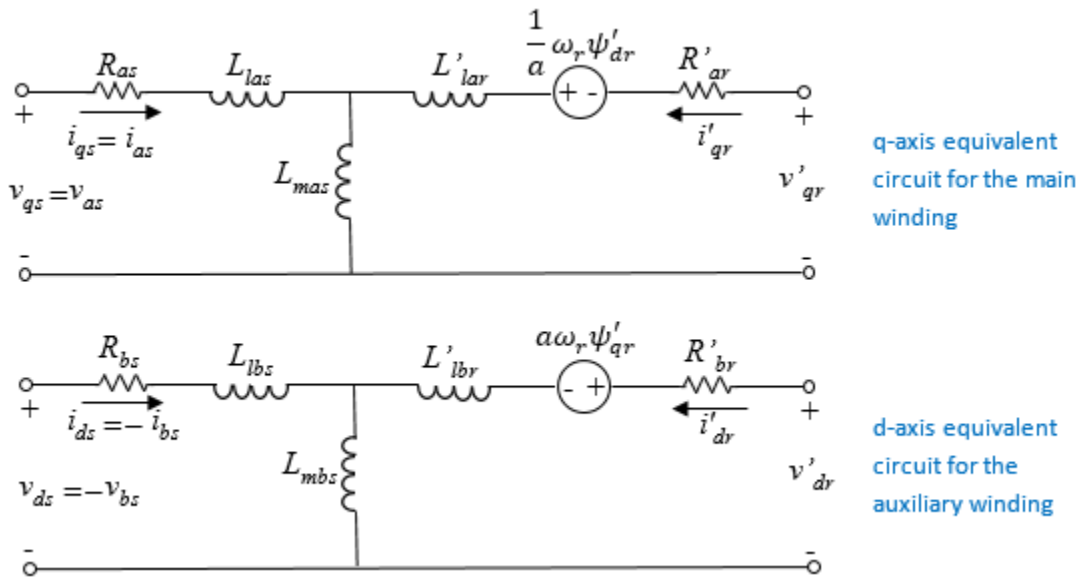
Each of four model variants for the Induction Machine (Single-Phase) block corresponds to a **Block choice** option. To access the block choices, in the model window, right-click the block, and then use either of these methods:

- From the context menu, select **Simscape > Block choices**.
- In the Simulink Editor, on the **Modeling** tab, in the **Design** section, in the **Data Management** category, select **Property Inspector**. In the **Property Inspector** window, select a **Block Choice**.

The model variant options are:

- Split-phase
- Capacitor-start
- Capacitor-start-capacitor-run
- Main and auxiliary windings

The single phase induction machine consists of a squirrel cage rotor and two stator windings, the main and the auxiliary windings. The auxiliary winding is typically only active during startup. However, to improve performance, the auxiliary winding can be active during running for low-power applications. The figure shows the equivalent d - and q -axis circuits for the main and auxiliary windings.



The table defines the variables.

Variable	Definition
$v_{qs}v_{ds}$	Stator voltages in the d - q representation
$i_{qs}i_{ds}$	Stator currents in the d - q representation
$\Psi_{qr}\Psi_{dr}$	Rotor fluxes in the d - q representation
ω	Rotor electrical speed
a	Auxiliary/main windings turn ratio
R_{as}	Main winding stator resistance
L_{as}	Main winding stator leakage inductance
R'_{ar}	Main winding rotor resistance
L'_{lar}	Main winding rotor leakage inductance
L_{mas}	Main winding mutual inductance
R_{bs}	Auxiliary winding stator resistance
R_{lbs}	Auxiliary winding stator leakage inductance
R'_{br}	Auxiliary winding rotor resistance
L'_{lbr}	Auxiliary winding rotor leakage inductance
L_{mbs}	Auxiliary winding mutual inductance

Equations

The SI model converts the SI values that you enter in the dialog box to per-unit values for simulation. For information on the relationship between SI and per-unit machine parameters, see “Per-Unit Conversion for Machine Parameters”. For information on per-unit parameterization, see “Per-Unit System of Units”.

These transformations reduce the rotor resistance, rotor leakage inductance, and stator mutual inductance to a single set of values by defining the equivalent circuits with respect to the main winding:

$$L_{ms} = L_{mas} = \frac{1}{a^2} L_{mbs}$$

$$R'_{ar} = \frac{1}{a^2} R'_{br}$$

$$L'_{lar} = \frac{1}{a^2} L'_{lbr}$$

The voltage equations for the stator and rotor are:

$$v_{qs} = R_{as} i_{qs} + \frac{d\psi_{qs}}{dt}$$

$$v_{ds} = R_{bs} i_{ds} + \frac{d\psi_{ds}}{dt}$$

$$0 = R'_{ar} i'_{qr} + \frac{d\psi'_{qr}}{dt} - \frac{1}{a} \omega_r \psi'_{dr}$$

$$0 = a^2 R'_{ar} i'_{dr} + \frac{d\psi'_{dr}}{dt} + a \omega_r \psi'_{qr}$$

$$\psi_{qs} = (L_{las} + L_{ms}) i_{qs} + L_{ms} i'_{qr}$$

$$\psi_{ds} = (L_{lbs} + a^2 L_{ms}) i_{ds} + a^2 L_{ms} i'_{dr}$$

$$\psi'_{qr} = (L'_{lar} + L_{ms}) i'_{qr} + L_{ms} i_{qs}$$

$$\psi'_{dr} = a^2 (L'_{lar} + L_{ms}) i'_{dr} + a^2 L_{ms} i_{ds}$$

The expression for the electromagnetic torque, T , is obtained by applying the principle of virtual displacement [1].

$$T = p \left(a \psi'_{qr} i'_{dr} - \frac{1}{a} \psi'_{dr} i_{qr} \right)$$

The mechanical equation is

$$J \frac{d\omega_m}{dt} = T - T_L - B_m \omega_m,$$

where ω_m is the rotor angular velocity.

In split-phase machines, the auxiliary winding is displaced at 90 electrical degrees from the main winding and operates only until the speed reaches the disconnection speed, which is typically 70 to 80 percent of rated speed. In this configuration, the auxiliary winding has high resistance and small reactance compared to the main winding. The resulting phase difference makes the machine behave like a two-phase machine.

The capacitor-start machine is a type of split-phase machine that uses a capacitor in series with the auxiliary winding to start the machine. In this configuration, auxiliary and main windings have the

same number of turns. The value of the capacitor ensures that the current in the auxiliary coil leads the current in the main winding by approximately 80 electrical degrees.

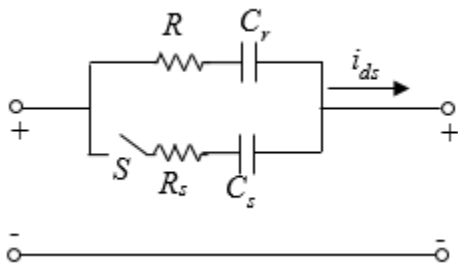
The capacitor-start voltage is:

$$v_c = R_s i_{ds} + \int \frac{1}{C_s} \omega_r i_{ds}.$$

When a capacitor is connected in series with the auxiliary winding, the voltage equation for the d -axis is

$$v_{ds} = R_{bs} i_{ds} + \frac{d\psi_{ds}}{dt} - R_s i_{ds} - \int \frac{1}{C_s} \omega_r i_{ds}.$$

The extension is obtained immediately for capacitor-start-capacitor-run machines. In this configuration, two capacitors are connected in parallel.



The d -axis voltage after disconnecting the capacitor-start is

$$v_{ds} = R_{bs} i_{ds} + \frac{d\psi_{ds}}{dt} - R_r i_{ds} - \int \frac{1}{C_r} \omega_r i_{ds}.$$

Display Option

To display the machine per-unit base values in the MATLAB Command Window, right-click the block and, from the **Electrical** menu, select **Display Base Values**.

Variables

Use the **Variables** settings to specify the priority and initial target values for the block variables before simulation. For more information, see “Set Priority and Initial Target for Block Variables”.

Ports

Output

pu — Machine per-unit measurements

physical signal | vector

Physical signal vector port associated with the machine per-unit measurements. The vector elements are:

- pu_torque
- pu_velocity
- pu_vds
- pu_vqs
- pu_v0s = 0
- pu_ids
- pu_iqs
- pu_i0s = 0

Conserving

a1 – Main winding positive terminal

electrical | scalar

Electrical conserving port associated with the main winding positive terminal.

a2 – Main winding negative terminal

electrical | scalar

Electrical conserving port associated with the main winding negative terminal.

b1 – Auxiliary winding positive terminal

electrical | scalar

Electrical conserving port associated with the auxiliary winding positive terminal.

Dependencies

This port is visible only if you set the **Block choice** to Main and auxiliary windings.

b2 – Auxiliary winding negative terminal

electrical | scalar

Electrical conserving port associated with the auxiliary winding negative terminal.

Dependencies

This port is visible only if you set the **Block choice** to Main and auxiliary windings.

R – Machine rotor

mechanical rotational

Mechanical rotational conserving port associated with the machine rotor.

C – Machine case

mechanical rotational

Mechanical rotational conserving port associated with the machine case.

Parameters

Main

Rated apparent power — Rated apparent power

180 V*A (default) | positive scalar

Rated apparent power of the induction machine.

Rated voltage — Rated voltage

220 V (default) | positive scalar

RMS voltage.

Rated electrical frequency — Rated electrical frequency

60 Hz (default) | positive scalar

Nominal electrical frequency corresponding to the rated apparent power.

Number of pole pairs — Number of pole pairs

2 (default) | positive integer

Number of machine pole pairs. The value is used as a back-electromotive force constant.

Parameterization unit — SI or per-unit parameterization option

SI (default) | Per unit

Unit system for block parameterization.

Dependencies

Selecting:

- SI exposes SI **Electrical** parameters.
- Per unit exposes per-unit **Electrical** parameters.

Electrical

For the **Parameterization unit** parameter in the **Main** settings, select SI to expose the SI **Electrical** parameters, or Per unit to expose the per-unit **Electrical** parameters.

Main winding stator resistance, Ras — Main winding stator resistance

1.8180 Ohm (default) | positive scalar

SI stator resistance for the main winding.

Dependencies

Selecting SI for the **Parameterization unit** parameter in the **Main** settings exposes SI **Electrical** parameters.

Main winding stator leakage inductance, Llas — Main winding stator leakage inductance

0.0067 H (default) | positive scalar

SI leakage inductance for the main winding.

Dependencies

Selecting SI for the **Parameterization unit** parameter in the **Main** settings exposes SI **Electrical** parameters.

Main winding rotor resistance, R_{ar}' — Main winding rotor resistance

3.7080 Ohm (default) | positive scalar

SI rotor resistance for the main winding.

Dependencies

Selecting SI for the **Parameterization unit** parameter in the **Main** settings exposes SI **Electrical** parameters.

Main winding rotor leakage inductance, L_{lar}' — Main winding rotor leakage inductance

0.0050 H (default) | positive scalar

SI rotor leakage inductance for the main winding.

Dependencies

Selecting SI for the **Parameterization unit** parameter in the **Main** settings exposes SI **Electrical** parameters.

Main winding mutual inductance, L_{ms} — Main winding mutual inductance

0.1595 H (default) | positive scalar

SI mutual inductance for the main winding.

Dependencies

Selecting SI for the **Parameterization unit** parameter in the **Main** settings exposes SI **Electrical** parameters.

Auxiliary winding stator resistance, R_{bs} — Auxiliary winding stator resistance

6.4260 Ohm (default) | positive scalar

SI stator resistance for the auxiliary winding.

Dependencies

Selecting SI for the **Parameterization unit** parameter in the **Main** settings exposes SI **Electrical** parameters.

Auxiliary winding stator leakage inductance, L_{lbs} — Auxiliary winding stator leakage inductance

0.0077 H (default) | positive scalar

SI stator leakage inductance for the auxiliary winding.

Dependencies

Selecting SI for the **Parameterization unit** parameter in the **Main** settings exposes SI **Electrical** parameters.

Auxiliary/main windings turn ratio – Turn ratio

1.1 (default) | positive scalar

Winding ratio between the main and auxiliary winding.

Main winding stator resistance, R_{as} (pu) – Main winding stator resistance

0.0135 (default) | positive scalar

Per-unit stator resistance for the main winding.

Dependencies

Selecting Per unit for the **Parameterization unit** parameter in the **Main** settings exposes per-unit **Electrical** parameters.

Main winding stator leakage inductance, L_{las} (pu) – Main winding stator leakage inductance

0.0188 (default) | positive scalar

Per-unit leakage inductance for the main winding.

Dependencies

Selecting Per unit for the **Parameterization unit** parameter in the **Main** settings exposes per-unit **Electrical** parameters.

Main winding rotor resistance, $R_{ar'}$ (pu) – Main winding rotor resistance

0.0276 (default) | positive scalar

Per-unit rotor resistance for the main winding.

Dependencies

Selecting Per unit for the **Parameterization unit** parameter in the **Main** settings exposes per-unit **Electrical** parameters.

Main winding rotor leakage inductance, $L_{lar'}$ (pu) – Main winding rotor leakage inductance

0.0140 (default) | positive scalar

Per-unit rotor leakage inductance for the main winding.

Dependencies

Selecting Per unit for the **Parameterization unit** parameter in the **Main** settings exposes per-unit **Electrical** parameters.

Main winding mutual inductance, L_{ms} (pu) – Main winding mutual inductance

0.4472 (default) | positive scalar

Per-unit mutual inductance for the main winding.

Dependencies

Selecting Per unit for the **Parameterization unit** parameter in the **Main** settings exposes per-unit **Electrical** parameters.

Auxiliary winding stator resistance, R_{bs} (pu) – Auxiliary winding stator resistance
0.0478 (default) | positive scalar

Per-unit stator resistance for the auxiliary winding.

Dependencies

Selecting Per unit for the **Parameterization unit** parameter in the **Main** settings exposes per-unit **Electrical** parameters.

Auxiliary winding stator leakage inductance, L_{lbs} (pu) – Auxiliary winding stator leakage inductance
0.0216 (default) | positive scalar

Per-unit stator leakage inductance for the auxiliary winding.

Dependencies

Selecting Per unit for the **Parameterization unit** parameter in the **Main** settings exposes per-unit **Electrical** parameters.

Auxiliary/main windings turn ratio – Turn ratio

1.1 (default) | positive scalar

Winding ratio between the main and auxiliary winding.

Capacitor-start resistance, R_s – Capacitor-start resistance

3.0 Ohm (default) | positive scalar

SI capacitor-start resistance.

Dependencies

This parameter is exposed when **Block choice** is set to Capacitor-start-capacitor-run or Capacitor start and the **Parameterization unit** parameter in the **Main** settings is set to SI.

Capacitor-start capacitance, C_s – Capacitor-start capacitance

0.00018 F (default) | positive scalar

SI capacitor-start capacitance.

Dependencies

This parameter is exposed when **Block choice** is set to Capacitor-start-capacitor-run or Capacitor start and the **Parameterization unit** parameter in the **Main** settings is set to SI.

Capacitor-run resistance, R_r – Capacitor-run resistance

9.0 Ohm (default) | positive scalar

SI capacitor-run resistance.

Dependencies

This parameter is exposed when **Block choice** is set to Capacitor-start-capacitor-run and the **Parameterization unit** parameter in the **Main** settings is set to SI.

Capacitor-run capacitance, C_r – Capacitor-run capacitance

0.000015 F (default) | positive scalar

SI capacitor-run capacitance.

Dependencies

This parameter is exposed when **Block choice** is set to Capacitor-start-capacitor-run and the **Parameterization unit** parameter in the **Main** settings is set to SI.

Capacitor-start resistance, Rs (pu) — Capacitor-start resistance

0.0223 (default) | positive scalar

Per-unit capacitor-start resistance.

Dependencies

This parameter is exposed when **Block choice** is set to Capacitor-start-capacitor-run and the **Parameterization unit** parameter in the **Main** settings is set to Per unit.

Capacitor-start capacitance, Cs (pu) — Capacitor-start capacitance

9.1232 (default) | positive scalar

Per-unit capacitor-start capacitance.

Dependencies

This parameter is exposed when **Block choice** is set to Capacitor-start-capacitor-run and the **Parameterization unit** parameter in the **Main** settings is set to Per unit.

Capacitor-run resistance, Rr (pu) — Capacitor-run resistance

0.0669 (default) | positive scalar

Per-unit capacitor-run resistance.

Dependencies

This parameter is exposed when **Block choice** is set to Capacitor-start-capacitor-run or Capacitor-start-capacitor-run and the **Parameterization unit** parameter in the **Main** settings is set to Per unit.

Capacitor-run resistance, Cr (pu) — Capacitor-run capacitance

0.000015 (default) | positive scalar

Per-unit capacitor-run capacitance.

Dependencies

This parameter is exposed when **Block choice** is set to Capacitor-start-capacitor-run or Capacitor-start-capacitor-run and the **Parameterization unit** parameter in the **Main** settings is set to Per unit.

Disconnection speed (% of rated speed) — Disconnection speed

80 (default) | scalar in range [0,100]

Speed when capacitor is disconnected, expressed as a percentage of rated speed. The value must be between 0 and 100, inclusive.

Dependencies

This parameter is hidden when **Block choice** is set to Main and auxiliary windings.

Mechanical

Rotor inertia – Rotor inertia

0.01 kg*m² (default) | positive scalar

Inertia of the rotor.

Rotor damping – Rotor damping

0 N*m/(rad/s) (default) | scalar

Damping of the rotor.

References

- [1] Krause, P. C. "Simulation of Unsymmetrical 2-Phase Induction Machines." *IEEE Transactions on Power Apparatus and Systems*. Vol 84, Number 11, 1965, pp. 1025-1037.

Extended Capabilities

C/C++ Code Generation

Generate C and C++ code using Simulink® Coder™.

See Also

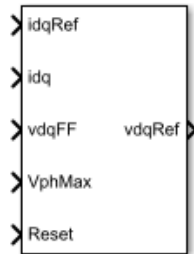
Induction Machine Direct Torque Control (Single-Phase) | Induction Machine Field-Oriented Control (Single-Phase)

Introduced in R2018b

Induction Machine Current Controller

Discrete-time induction machine current PI controller

Library: Simscape / Electrical / Control / Induction Machine Control



Description

The Induction Machine Current Controller implements discrete-time proportional-integral (PI) based induction machine current control in the rotor d - q reference frame. You typically use the Induction Machine Current Controller in a series of blocks that make up a control structure. For example, to convert the $dq0$ reference frame output voltage to voltage in an abc reference frame, connect the Induction Machine Current Controller to an Inverse Clarke Transform in the control structure.

Equations

The block uses the backward Euler discretization method.

Two PI current controllers that are implemented in the rotor reference frame produce the reference voltage vector:

$$v_d^{ref} = \left(K_{p_id} + K_{i_id} \frac{T_s z}{z-1} \right) (i_d^{ref} - i_d) + v_{d_FF},$$

and

$$v_q^{ref} = \left(K_{p_iq} + K_{i_iq} \frac{T_s z}{z-1} \right) (i_q^{ref} - i_q) + v_{q_FF},$$

where

- v_d^{ref} , and v_q^{ref} are the d -axis and q -axis reference voltages, respectively.
- i_d^{ref} , and i_q^{ref} are the d -axis and q -axis reference currents, respectively.
- i_d and i_q are the d -axis and q -axis currents, respectively.
- K_{p_id} , and K_{p_iq} are the proportional gains for the d -axis and q -axis controllers, respectively.
- K_{i_id} and K_{i_iq} are the integral gains for the d -axis and q -axis controllers, respectively.
- v_{d_FF} , and v_{q_FF} are the feedforward voltages for the d -axis and q -axis, respectively. The feedforward voltages are obtained from the machine mathematical equations and provided as inputs.
- T_s , is the sample time of the discrete controller.

Voltage Saturation

Saturation is imposed when the stator voltage vector exceeds the voltage phase limit V_{ph_max} :

$$\sqrt{v_d^2 + v_q^2} \leq V_{ph_max},$$

where v_d , and v_q are the d -axis and q -axis voltages, respectively.

In the case of axis prioritization, the voltages v_1 and v_2 are introduced, where:

- For d -axis prioritization — $v_1 = v_d$ and $v_2 = v_q$.
- For q -axis prioritization — $v_1 = v_q$ and $v_2 = v_d$.

The constrained (saturated) voltages v_1^{sat} and v_2^{sat} are obtained as:

$$v_1^{sat} = \min(\max(v_1^{unsat}, -V_{ph_max}), V_{ph_max})$$

and

$$v_2^{sat} = \min(\max(v_2^{unsat}, -V_{2_max}), V_{2_max}),$$

where:

- v_1^{unsat} and v_2^{unsat} are the unconstrained (unsaturated) voltages.
- v_{2_max} is the maximum value of v_2 that does not exceed the voltage phase limit. The equation that define v_{2_max} is $v_{2_max} = \sqrt{(V_{ph_max})^2 - (v_1^{sat})^2}$.

In the case of d - q equivalence, the direct and quadrature axes have the same priority, and the constrained voltages are:

$$v_d^{sat} = \min(\max(v_d^{unsat}, -V_{d_max}), V_{d_max})$$

and

$$v_q^{sat} = \min(\max(v_q^{unsat}, -V_{q_max}), V_{q_max}),$$

where:

$$V_{d_max} = \frac{V_{ph_max}|v_d^{unsat}|}{\sqrt{(v_d^{unsat})^2 + (v_q^{unsat})^2}}$$

and

$$V_{q_max} = \frac{V_{ph_max}|v_q^{unsat}|}{\sqrt{(v_d^{unsat})^2 + (v_q^{unsat})^2}}.$$

Integral Anti-Windup

An anti-windup mechanism is employed to avoid the saturation of the integrator output. In such a situation, the integrator gains become:

$$K_{i_id} + K_{aw_id}(v_d^{sat} - v_d^{unsat})$$

and

$$K_{i_iq} + K_{aw_iq}(v_q^{sat} - v_q^{unsat}),$$

where K_{aw_id} , K_{aw_iq} , and K_{aw_if} are the anti-windup gains for the d -axis, q -axis, and field controllers, respectively.

Assumptions and Limitations

- The plant model for the direct and quadrature axes can be approximated with a first-order system.

Ports

Input

idqRef — Reference currents

vector

Desired d - and q -axis currents for control of the induction machine, in A.

Data Types: `single` | `double`

idq — Measured currents

vector

Actual d - and q -axis currents of the controlled induction machine, in A.

Data Types: `single` | `double`

vdqFF — Feedforward voltages

vector

Feedforward pre-control voltages, in V.

Data Types: `single` | `double`

VphMax — Maximum phase voltage

scalar

Maximum allowable voltage in each phase, in V.

Data Types: `single` | `double`

Reset — External reset

scalar

External reset signal (rising edge) for integrators.

Data Types: `Boolean`

Output

vdqRef — Reference voltages

vector

Desired d - and q -axis voltages for control of the induction machine, in V.

Data Types: `single` | `double`

Parameters

Control Parameters

D-axis current proportional gain — d -axis proportional gain

1 (default)

Proportional gain for direct-axis current control.

D-axis current integral gain — d -axis integral gain

100 (default)

Integral gain for direct-axis current control.

D-axis current anti-windup gain — d -axis anti-windup gain

1 (default)

Anti-windup gain for direct-axis current control.

Q-axis current proportional gain — q -axis proportional gain

1 (default)

Proportional gain for quadrature-axis current control.

Q-axis current integral gain — q -axis integral gain

100 (default)

Integral gain for quadrature-axis current control.

Q-axis current anti-windup gain — q -axis anti-windup gain

1 (default)

Anti-windup gain for quadrature-axis current control.

Sample time (-1 for inherited) — Block sample time

-1 (default) | positive scalar

Time, in s, between consecutive block executions. During execution, the block produces outputs and, if appropriate, updates its internal state. For more information, see “What Is Sample Time?” and “Specify Sample Time”.

If this block is inside a triggered subsystem, inherit the sample time by setting this parameter to -1. If this block is in a continuous variable-step model, specify the sample time explicitly using a positive scalar.

Axis prioritization — Axis prioritization for voltage limiter

Q-axis (default) | D-axis | D-Q equivalence

Prioritize or maintain the ratio between the d - and q -axes when the block limits voltage.

Enable pre-control voltage — Pre-control voltage

on (default) | off

Enable or disable pre-control voltage.

Extended Capabilities

C/C++ Code Generation

Generate C and C++ code using Simulink® Coder™.

See Also

Blocks

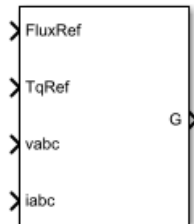
[Induction Machine Current Controller](#) | [Induction Machine Direct Torque Control](#) | [Induction Machine Field-Oriented Control](#) | [Induction Machine Flux Observer](#) | [Induction Machine Scalar Control](#)

Introduced in R2017b

Induction Machine Direct Torque Control

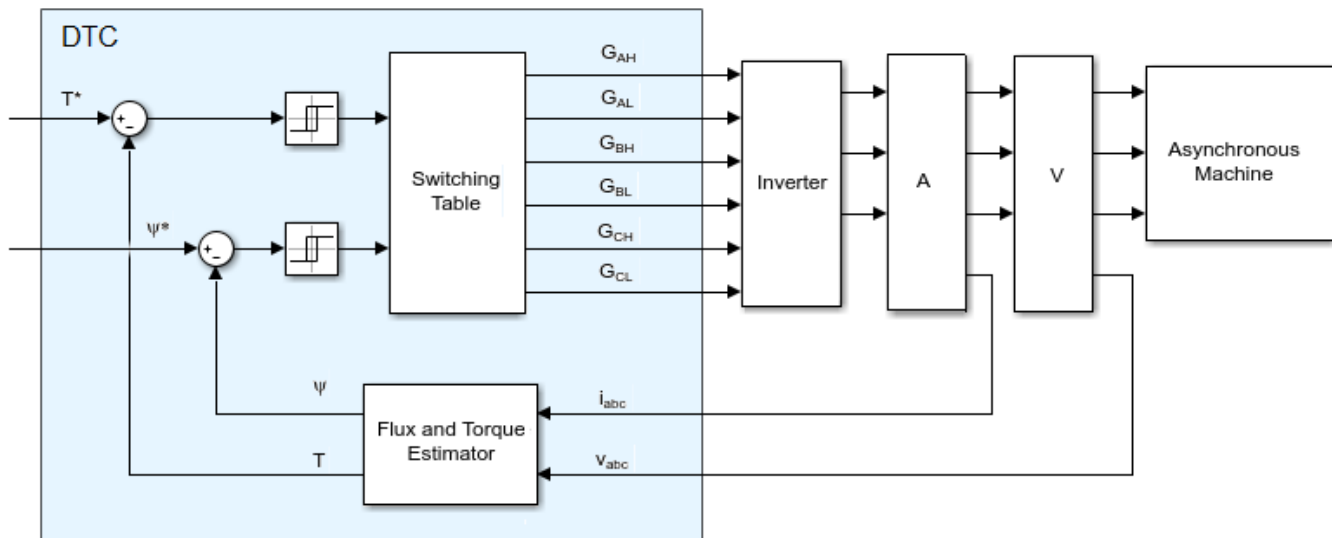
Induction machine DTC

Library: Simscape / Electrical / Control / Induction Machine Control



Description

The Induction Machine Direct Torque Control block implements an induction machine direct torque control (DTC) structure. The figure shows the equivalent circuit for the block.



Equations

To estimate the torque and flux, the Induction Machine Direct Torque Control block discretizes the machine voltage equations in the stationary $\alpha\beta$ reference frame using the backward Euler method. The discrete-time equations for stator fluxes in the $\alpha\beta$ frame are:

$$\psi_{\alpha} = (v_{\alpha} - i_{\alpha}R_s) \frac{T_s z}{z-1}$$

and

$$\psi_{\beta} = (v_{\beta} - i_{\beta}R_s) \frac{T_s z}{z-1}$$

where:

- v_α is α -axis voltage.
- i_α is α -axis current.
- R_s is the stator resistance.
- Ψ_α is the α -axis stator flux.
- v_β is β -axis voltage.
- i_β is β -axis current.
- Ψ_β is the β -axis stator flux.

The block calculates the torque and flux as:

$$T = \frac{3p}{2}(\psi_\alpha i_\beta - \psi_\beta i_\alpha)$$

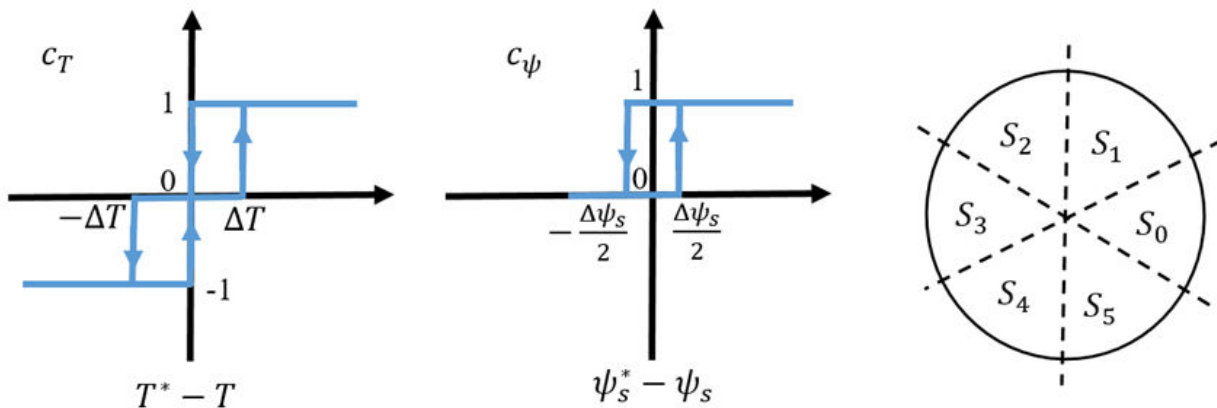
and

$$\psi_s = \sqrt{\psi_\alpha^2 + \psi_\beta^2}$$

where:

- p is the number of pole pairs.
- Ψ_s is the stator flux.

To detect flux and torque estimation errors, the block uses hysteresis comparators. The figure shows hysteresis comparators and the associated switching sectors.



The table shows the optimum switching for an inverter high-side system.

$c_\psi, c_T S(\theta)$		S_0	S_1	S_2	S_3	S_4	S_5
$c_\psi = 1$	$c_T = 1$	1, 1, 0	0, 1, 0	0, 1, 1	0, 0, 1	1, 0, 1	1, 0, 0
	$c_T = 0$	1, 1, 1	0, 0, 0	1, 1, 1	0, 0, 0	1, 1, 1	0, 0, 0
	$c_T = -1$	1, 0, 1	1, 0, 0	1, 1, 0	0, 1, 0	0, 1, 1	0, 0, 1
$c_\psi = 0$	$c_T = 1$	0, 1, 0	0, 1, 1	0, 0, 1	1, 0, 1	1, 0, 0	1, 1, 0
	$c_T = 0$	0, 0, 0	1, 1, 1	0, 0, 0	1, 1, 1	0, 0, 0	1, 1, 1

$c_\psi, c_T S(\theta)$	S_0	S_1	S_2	S_3	S_4	S_5
$c_T = -1$	0, 0, 1	1, 0, 1	1, 0, 0	1, 1, 0	0, 1, 0	0, 1, 1

Assumptions and Limitations

- The power inverter dead times are not considered. For hardware implementation, add the dead time externally.

Ports

Input

FluxRef — Flux

scalar

Reference stator flux.

Data Types: single | double

TqRef — Torque

scalar

Reference torque.

Data Types: single | double

vabc — Voltage

vector

Stator phase voltages.

Data Types: single | double

iabc — Current

vector

Stator phase currents.

Data Types: single | double

Output

G — Gate pulses

vector | 0 or 1

Inverter gate pulses. The block does not consider any dead time.

Data Types: single | double

Parameters

Stator resistance (0hm) — Resistance

0.25 (default) | positive scalar

Resistance of the machine stator.

Number of pole pairs — Pole number

1 (default) | positive integer

Number of machine pole pairs.

Flux hysteresis bandwidth (Wb) — Flux

0.02 (default) | positive scalar

Total bandwidth distributed symmetrically around the flux set point.

Torque hysteresis bandwidth (N*m) — Torque

10 (default) | positive scalar

Total bandwidth distributed symmetrically around the set point.

Sample time (-1 for inherited) — Block sample time

-1 (default) | positive scalar

Time, in s, between consecutive block executions. During execution, the block produces outputs and, if appropriate, updates its internal state. For more information, see “What Is Sample Time?” and “Specify Sample Time”.

If this block is inside a triggered subsystem, inherit the sample time by setting this parameter to -1. If this block is in a continuous variable-step model, specify the sample time explicitly using a positive scalar.

References

- [1] Takahashi, I., and T. Noguchi. "A New Quick-Response and High-Efficiency Control Strategy of an Induction Motor." *IEEE Transactions on Industry Applications*. Vol. IA-22, Number 5, 1986, pp. 820 - 827.

Extended Capabilities**C/C++ Code Generation**

Generate C and C++ code using Simulink® Coder™.

See Also**Blocks**

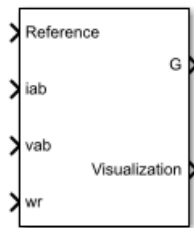
Induction Machine Current Controller | Induction Machine Direct Torque Control (Single-Phase) | Induction Machine Direct Torque Control with Space Vector Modulator | Induction Machine Field-Oriented Control | Induction Machine Field-Oriented Control (Single-Phase) | Induction Machine Flux Observer | Induction Machine Scalar Control

Introduced in R2017b

Induction Machine Direct Torque Control (Single-Phase)

Single-phase induction machine direct torque control

Library: Simscape / Electrical / Control / Induction Machine Control

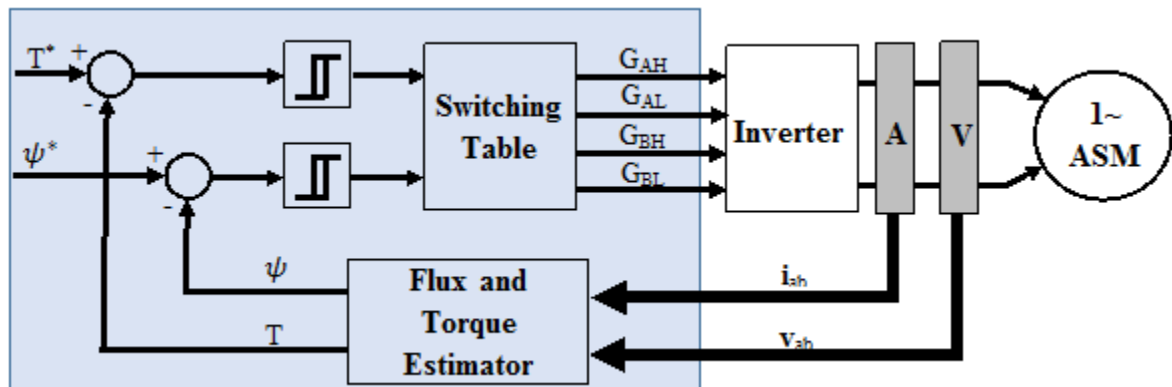


Description

The Induction Machine Direct Torque Control (Single-Phase) block implements a single-phase induction machine direct torque control structure.

Equations

This diagram shows the direct torque control architecture for single-phase machines



The torque and flux estimation is based on machine voltage equations. The discrete-time voltage equations using the backward Euler discretization method, are:

$$\psi_a = (v_a - i_a R_{as}) \frac{T_s z}{z - 1}$$

$$\psi_b = (v_b - i_b R_{bs}) \frac{T_s z}{z - 1}$$

where:

- R_{as} and R_{bs} are the main winding resistance and the auxiliary winding resistance, respectively.

- i_a and i_b are the main winding current and the auxiliary winding current, respectively.
- v_a and v_b are the main and auxiliary winding voltage, respectively.
- ψ_a and ψ_b are the main and auxiliary winding flux, respectively.

The torque and flux are obtained from:

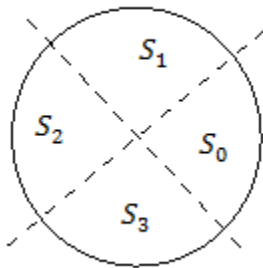
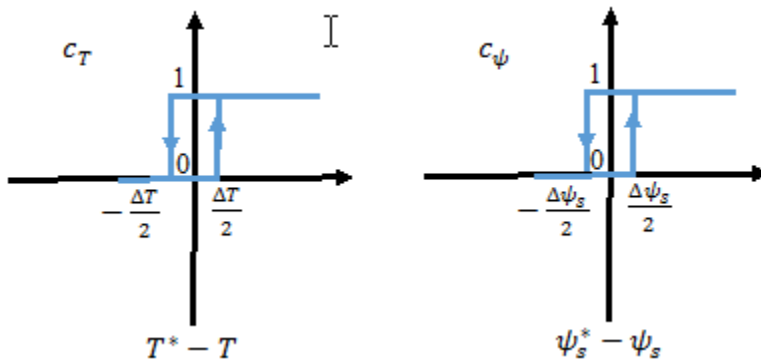
$$T = p(a\psi_a i_b - \frac{1}{a}\psi_b i_a)$$

$$\psi_s = \sqrt{\psi_a^2 + \psi_b^2}$$

where:

- p is the number of pole pairs.
- a is the auxiliary to main windings turn ratio.

Employing simple hysteresis comparators detects the status of flux and torque errors. The following figures illustrate the hysteresis comparators and the switching sectors.



The table shows the optimum switching table (inverter high side).

$c_\psi, c_T, S(\theta)$		S_0	S_1	S_2	S_3
$c_\psi = 1$	$c_T = 1$	1, 1	0, 1	0, 0	1, 0
	$c_T = 0$	1, 0	1, 1	0, 1	0, 0
$c_\psi = 0$	$c_T = 1$	0, 1	0, 0	1, 0	1, 1

$c_\psi, c_T, S(\theta)$	S_0	S_1	S_2	S_3
$c_T = 0$	0, 0	1, 0	1, 1	0, 1

The torque reference can be provided as an input, or, in the case of speed control, be generated internally using a PI speed controller.

The flux reference is generated internally using:

$$\psi_s^* = \frac{2\pi f_n \psi_n}{p \min\left(\omega_r, \frac{2\pi f_n}{p}\right)}$$

where,

- ω_r is the rotor angular mechanical speed in rad/s.
- f_n is the rated frequency.
- ψ_n is the rated flux.

Limitations

- The power inverter dead-times are not considered in this block. For hardware implementation, add the dead-time externally.

Ports

Input

Reference – Torque or angular velocity reference

scalar

Specify the angular velocity reference in rad/s or the torque reference in Nm.

Data Types: single | double

iab – Stator currents

scalar

Stator currents for main and auxiliary windings.

Data Types: single | double

vab – Stator voltages

scalar

Stator voltages for main and auxiliary windings.

Data Types: single | double

wr – Rotor angular speed

scalar

Measure rotor angular speed in rad/s.

Data Types: single | double

Output

G — Inverter gate pulses

0 | 1

Inverter gate pulses, specified as a Boolean. The dead-time is not considered.

Data Types: single | double

Visualization — Internal signals for visualization

Reference | Rotor velocity | TqRef | FluxRef | Torque | Flux

Bus containing internal signals for visualization. The signals are:

- Reference torque or speed
- Rotor velocity, in rad/s
- Torque Reference, in Nm
- Flux Reference, in Wb
- Torque, in Nm
- Flux, in Wb

Data Types: single | double | bus

Parameters

General

Control mode — Specify control mode

Speed control (default) | Torque control

Specify the control mode. The reference input is taken as angular speed, in rad/s, for Speed control and torque, in Nm, for Torque control.

Rated electrical frequency (Hz) — Specify rated electrical frequency

60 (default) | positive scalar

Rated electrical frequency, in Hz.

Number of pole pairs — Specify pole pairs

2 (default) | positive scalar

Number of pole pairs.

Main winding stator resistance, Ras (Ohm) — Specify main winding stator resistance

1.8180 (default) | positive scalar

Resistance of the main winding stator, in Ohms.

Auxiliary winding stator resistance, Rbs (Ohm) — Specify auxiliary winding stator resistance

6.4260 (default) | positive scalar

Resistance of the auxiliary winding stator, in Ohms.

Auxiliary/main windings turn ratio – Specify the auxiliary-to-main windings turn ratio

1.1 (default) | positive scalar

Auxiliary-to-main windings turns ratio.

Sample time (-1 for inherited) – Block sample time

-1 (default) | positive scalar

Time, in s, between consecutive block executions. During execution, the block produces outputs and, if appropriate, updates its internal state. For more information, see “What Is Sample Time?” and “Specify Sample Time”.

If this block is inside a triggered subsystem, inherit the sample time by setting this parameter to -1. If this block is in a continuous variable-step model, specify the sample time explicitly using a positive scalar.

Outer Loop

This table shows how the visibility of some parameters in the **Outer Loop** tab depends on the option that you choose for the **Control mode** parameter in the **General** tab.

Control mode	Available Parameters
Speed control	Speed controller proportional gain
	Speed controller integral gain
	Speed controller integral anti-windup gain
	Maximum torque (Nm)
	Minimum torque (Nm)
	Rated flux (Wb)
Torque control	Rated flux (Wb)

Speed controller proportional gain – Specify the speed controller proportional gain

1 (default) | positive scalar

Proportional gain for the PI speed controller.

Speed controller integral gain – Specify the speed controller integral gain

10 (default) | positive scalar

Integral gain for the PI speed controller.

Speed controller integral anti-windup gain – Specify the speed controller integral anti-windup gain

1000 (default) | positive scalar

Integral anti-windup gain.

Maximum torque (Nm) – Specify the maximum torque

5 (default) | positive scalar

Maximum torque used in speed controller saturation, in Nm.

Minimum torque (Nm) — Specify the minimum torque

-5 (default) | scalar

Minimum torque used in speed controller saturation, in Nm.

Rated flux (Wb) — Specify the rated flux

0.5 (default) | positive scalar

Rated flux, in Wb. The rated flux is used to compute the flux reference.

Inner Loop**Flux hysteresis band (Wb) — Specify the flux hysteresis band**

0.02 (default) | positive scalar

Flux hysteresis band for the controller, in Wb.

Torque hysteresis band (Nm) — Specify the torque hysteresis band

0.1 (default) | positive scalar

Torque hysteresis band for the controller, in Nm.

References

- [1] Takahashi, I., and T. Noguchi. "A New Quick-Response and High-Efficiency Control Strategy of an Induction Motor." *IEEE Transactions on Industry Applications*. Vol. IA-22, Number 5, 1986, pp. 820 - 827.

Extended Capabilities**C/C++ Code Generation**

Generate C and C++ code using Simulink® Coder™.

See Also**Blocks**

Induction Machine Current Controller | Induction Machine Direct Torque Control | Induction Machine Direct Torque Control with Space Vector Modulator | Induction Machine Field-Oriented Control | Induction Machine Field-Oriented Control (Single-Phase) | Induction Machine Flux Observer | Induction Machine Scalar Control

Topics

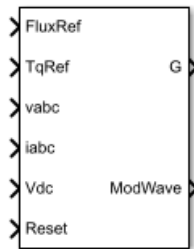
"Single-Phase Asynchronous Machine Direct Torque Control"

Introduced in R2018b

Induction Machine Direct Torque Control with Space Vector Modulator

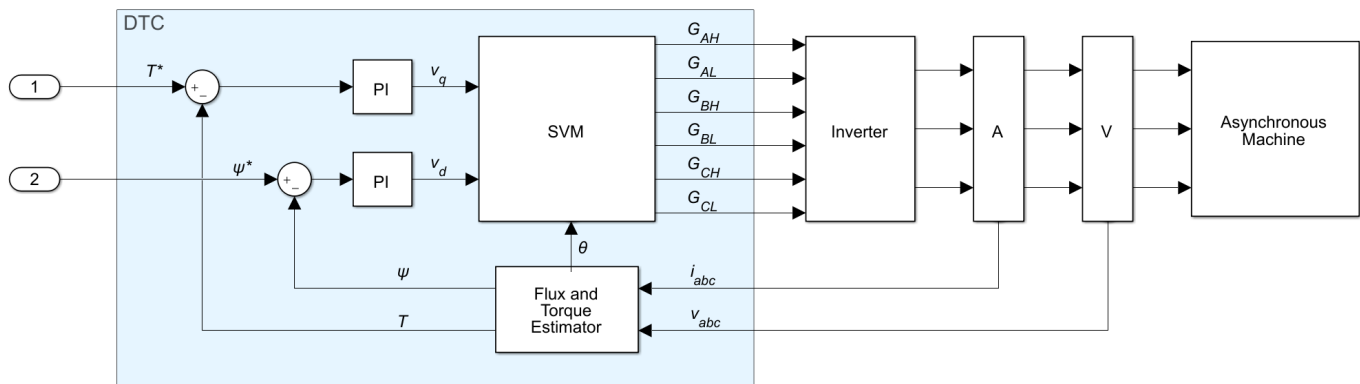
Induction machine DTC structure with SVM

Library: Simscape / Electrical / Control / Induction Machine Control



Description

The Induction Machine Direct Torque Control with Space Vector Modulator implements an induction machine direct torque control structure (DTC) with space vector modulator (SVM). Use this block to generate the gate pulses for an inverter controlling an induction machine. This diagram shows the architecture of the block.



In the diagram:

- You provide the reference torque, T^* , and flux, ψ^* .
- The Flux and Torque Estimator estimates the actual torque, T , and flux, ψ from the measured phase currents, i_{abc} , and voltages, v_{abc} .
- Two PI controllers determine the reference d and q voltages, v_d and v_q , from the flux and torque errors, respectively.
- The SVM generates the gates pulses, G_{ij} , required to control an inverter driving the induction machine. Subscript i corresponds to the phase (a , b , or c). Subscript j corresponds to the high, H , or low, L , signal.

Flux and Torque Estimator

To estimate the torque and flux, the block discretizes the machine voltage equations in the stationary $\alpha\beta$ reference frame using the backward Euler method. The discrete-time equations for stator fluxes in the $\alpha\beta$ frame are:

$$\psi_\alpha = (v_\alpha - i_\alpha R_s) \frac{T_s z}{z-1}$$

$$\psi_\beta = (v_\beta - i_\beta R_s) \frac{T_s z}{z-1}$$

Where:

- v_α and v_β are the α - and β -axis voltages, respectively.
- i_α and i_β are the α - and β -axis currents, respectively.
- Ψ_α and Ψ_β are the α - and β -axis stator fluxes, respectively.
- R_s is the stator resistance.

The block calculates the torque and total stator flux as:

$$T = \frac{3p}{2} (\psi_\alpha i_\beta - \psi_\beta i_\alpha)$$

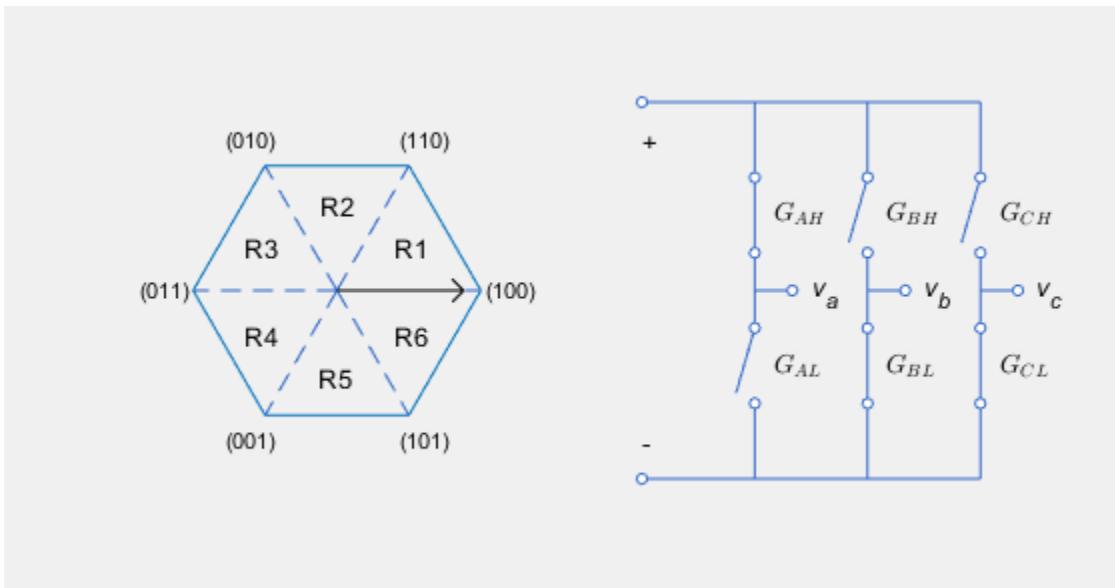
$$\psi_s = \sqrt{\psi_\alpha^2 + \psi_\beta^2}$$

Where:

- p is the number of pole pairs.
- Ψ_s is the total stator flux.

Space Vector Modulator

The SVM converts the desired voltages into gate pulses, which you use to control an inverter. This figure shows possible switching states of a three-phase inverter.



The hexagon represents the space vector diagram. Each of the six vertices represents a possible switching state (G_{AH}, G_{BH}, G_{CH}) of the three-phase inverter. Each low gate takes the opposite state as its corresponding high gate. The inverter diagram illustrates the current state.

The rotating vector in the space vector diagram corresponds to the complex reference voltage vector, which rotates at the desired electrical frequency of the machine. In reality, the switching frequency is much faster than this electrical frequency. As a result, the inverter switches continually between the two states enclosing its current region R_i , and the zero state corresponding to $(0,0,0)$, to generate the desired voltages.

To learn about the implementation of this method, see the PWM Generator (Three-phase, Two-level) block.

Ports

Input

FluxRef — Flux

scalar

Reference stator flux.

Data Types: `single` | `double`

TqRef — Torque

scalar

Reference torque.

Data Types: `single` | `double`

vabc — Voltage

vector

Stator phase voltages.

Data Types: `single` | `double`

iabc — Current

vector

Stator phase currents.

Data Types: `single` | `double`

Vdc — DC-link voltage signal

scalar

DC-link voltage for the converter.

Data Types: `single` | `double`

Reset — Controller reset

scalar

Reset for the PI controller integrators.

Data Types: single | double

Output

G – Gate pulses

vector | 0 or 1

Inverter gate pulses. The block does not consider any dead time.

Data Types: single | double

ModWave – Modulation wave

vector

Modulation wave you deploy to the hardware if you are generating code for a platform with PWM-capable hardware. Otherwise, this data is only for your reference.

Parameters

General

Stator resistance (Ohm) – Resistance

0.25 (default) | positive scalar

Resistance of the machine stator.

Number of pole pairs – Pole number

1 (default) | positive integer

Number of machine pole pairs.

Inverter dc-link voltage threshold (V) – Voltage

300 (default) | positive scalar

Voltage threshold to activate the power inverter.

Fundamental sample time (s) – SVM sample time

5e-6 (default) | positive scalar less than the control sample time

Sample time for the space vector modulator. Fundamental sample time must be less than the control sample time.

Control sample time (s) – PI sample time

5e-5 (default) | positive scalar greater than the fundamental sample time

Sample time for PI controllers. Control sample time must be greater than the fundamental sample time.

Switching frequency (Hz) – Switching rate

1000 (default) | positive scalar

Specify the rate at which you want the switches in the power converter to switch.

Control Parameters

Flux controller proportional gain — Flux PI proportional gain

150 (default) | positive scalar

Proportional gain for the flux controller.

Flux controller integral gain — Flux PI integral gain

3000 (default) | positive scalar

Integral gain for the flux controller.

Flux controller anti-windup gain — Flux PI anti-windup gain

1 (default) | positive scalar

Anti-windup gain for the flux controller.

Torque controller proportional gain — Torque PI proportional gain

1 (default) | positive scalar

Proportional gain for the torque controller.

Torque controller integral gain — Torque PI integral gain

50 (default) | positive scalar

Integral gain for the torque controller.

Torque controller anti-windup gain — Torque PI anti-windup gain

1 (default) | positive scalar

Anti-windup gain for the torque controller.

Axis prioritization — Axis prioritization for voltage limiter

Q-axis (default) | D-axis | D-Q equivalence

Prioritize or maintain ratio between d - and q -axes when the block limits voltage.

References

- [1] Buja, G. S., and M. P. Kazmierkowski. "Direct Torque Control of PWM Inverter-Fed AC Motors—A Survey." *IEEE Transactions on Industrial Electronics* 51, no. 4, (2004): 744 - 757.

Extended Capabilities

C/C++ Code Generation

Generate C and C++ code using Simulink® Coder™.

See Also

Blocks

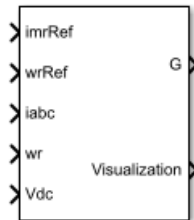
Induction Field-Oriented Control | Induction Machine Current Controller | Induction Machine Direct Torque Control | Induction Machine Direct Torque Control (Single-Phase) | Induction Machine Field-Oriented Control (Single-Phase) | Induction Machine Induction Flux Observer | Induction Machine Scalar Control

Introduced in R2018a

Induction Machine Field-Oriented Control

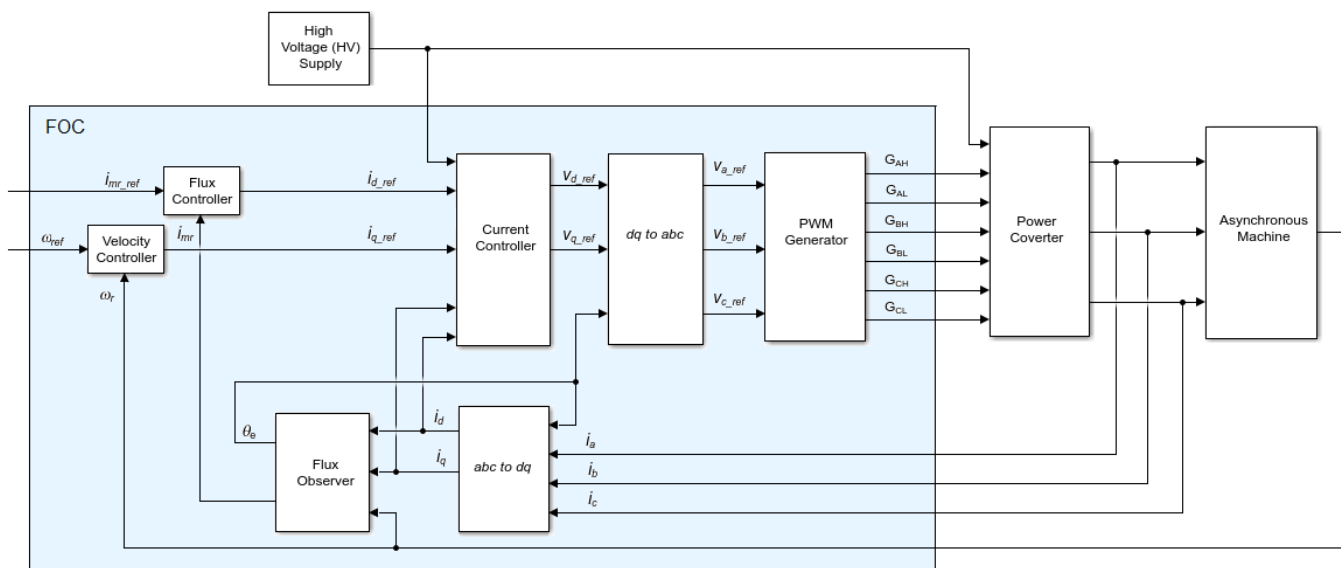
Per-unit discrete-time induction machine FOC

Library: Simscape / Electrical / Control / Induction Machine Control



Description

The Induction Machine Field-Oriented Controller block implements an induction machine field-oriented control (FOC) structure using the per-unit system. To decouple the torque and flux, FOC uses the rotor d - q reference frame. The figure shows the control structure.



In the diagram:

- ω_r is the measured angular velocity.
- ω_{ref} is the reference angular velocity.
- i_d and i_q are the d - and q -axis stator currents.
- i_a , i_b , and i_c are the a -, b - and c -phase stator winding currents.
- i_{mr_ref} is the reference magnetizing current.
- i_{mr} is the magnetizing current.
- v_d and v_q are the d - and q -axis stator voltages.

- v_a , v_b , and v_c are the a -, b - and c -phase stator winding voltages.
- θ_e is the rotor electrical angle.
- G_{AH} , G_{AL} , G_{BH} , G_{BL} , G_{CH} , and G_{CL} are the a -, b - and c -phase high (H) and low(L) gate pulses.

Assumptions and Limitations

- The machine parameters are known.
- The implementation uses the per-unit system.
- The control structure implementation uses a single sample rate.

Ports

Input

imRef — Current

scalar

Magnetizing reference current in the per-unit system.

Data Types: `single` | `double`

wrRef — Velocity

scalar

Rotor reference velocity in per-unit system.

Data Types: `single` | `double`

iabc — Current

vector

Measured phase currents in the per-unit system.

Data Types: `single` | `double`

wr — Velocity

scalar

Measured angular velocity in per-unit system.

Data Types: `single` | `double`

Vdc — Voltage

scalar

Measured dc-link voltage, in V.

Data Types: `single` | `double`

Output

G — Gate pulses

vector | 0 or 1

Inverter gate pulses. The block does not consider any dead time.

Data Types: single | double

Visualization — Visualization signals

vector

Bus containing signals for visualization.

Data Types: single | double | bus

Parameters

General

Rated voltage, rms line-to-line (V) — Voltage

550 (default)

Nominal voltage.

Rated electrical frequency (Hz) — Frequency

60 (default)

Nominal electrical frequency.

Rotor resistance, referred to the stator side (pu) — Resistance

0.01 (default)

Rotor, stator-side resistance in the per-unit system.

Rotor leakage inductance, referred to the stator side (pu) — Inductance

0.06 (default)

Rotor stator-side leakage inductance, in the pu-unit system.

Magnetizing inductance (pu) — Inductance

2.7 (default)

Magnetizing inductance in the per-unit system.

Time constant for dq currents filters (s) — Time constant

1e-4 (default)

Time constant for filtering the d and q currents.

Inverter dc-link voltage threshold (V) — Voltage

500 (default)

Voltage threshold to activate the power inverter.

Fundamental sample time (s) — Time

5e-6 (default) | positive scalar less than the control sample time

Fundamental sample time must be less than the control sample time.

Control sample time (s) — Time

5e-5 (default) | positive scalar greater than the fundamental sample time

Control sample time must be greater than the fundamental sample time.

Outer Loop

Magnetizing current controller proportional gain – Gain

10 (default)

Proportional gain for the magnetizing current controller.

Magnetizing current controller integral gain – Gain

1000 (default)

Integral gain for the magnetizing current controller.

Magnetizing current controller integral anti-windup gain – Gain

1000 (default)

Integral anti-windup gain for the magnetizing current controller.

Speed controller proportional gain – Gain

10 (default)

Proportional gain for the speed controller.

Speed controller integral gain – Gain

1000 (default)

Integral gain for the speed controller.

Speed controller integral anti-windup gain – Gain

1000 (default)

Integral anti-windup gain for the speed controller.

Maximum d-axis current [pu] – Current

2 (default)

Maximum current for the d -axis.

Maximum q-axis current [pu] – Current

2 (default)

Maximum current for the q -axis.

Inner Loop

Phase-a axis alignment – $dq0$ reference frame alignment

Q-axis (default) | D-axis

Align the a -phase vector of the abc reference frame to the d - or q -axis of the rotating reference frame.

D-axis current proportional gain – D-axis proportional gain

1 (default) | positive number

Proportional gain of the PI controller used for direct-axis current control.

D-axis current integral gain — D-axis integral gain

100 (default) | positive number

Integrator gain of the PI controller used for direct-axis current control.

D-axis current anti-windup gain — D-axis anti-windup gain

1 (default) | positive number

Anti-windup gain of the PI controller used for direct-axis current control.

Q-axis current proportional gain — Q-axis proportional gain

1 (default) | positive number

Proportional gain of the PI controller used for quadrature-axis current control.

Q-axis current integral gain — Q-axis integral gain

100 (default) | positive number

Integrator gain of the PI controller used for quadrature-axis current control.

Q-axis current anti-windup gain — Q-axis anti-windup gain

1 (default) | positive number

Anti-windup gain of the PI controller used for quadrature-axis current control.

Axis prioritization — Axis prioritization for voltage limiter

Q-axis (default) | D-axis | D-Q equivalence

Prioritize or maintain ratio between d - and q -axes when block limits voltage.

PWM**PWM method — Pulse width modulation method**

SVM: space vector modulation (default) | SPWM: sinusoidal PWM

Specify the waveform technique.

Sampling mode — Wave-sampling method

Natural (default) | Asymmetric | Symmetric

The sampling mode determines whether the block samples the modulation waveform when the waves intersect or when the carrier wave is at one or both of its boundary conditions.

Switching frequency (Hz) — Switching rate

1000 (default) | positive integer

Specify the rate at which you want the switches in the power converter to switch.

Extended Capabilities**C/C++ Code Generation**

Generate C and C++ code using Simulink® Coder™.

See Also

Blocks

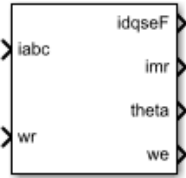
Induction Machine Current Controller | Induction Machine Direct Torque Control | Induction Machine Direct Torque Control (Single-Phase) | Induction Machine Direct Torque Control with Space Vector Modulator | Induction Machine Field-Oriented Control (Single-Phase) | Induction Machine Flux Observer | Induction Machine Scalar Control

Introduced in R2017b

Induction Machine Flux Observer

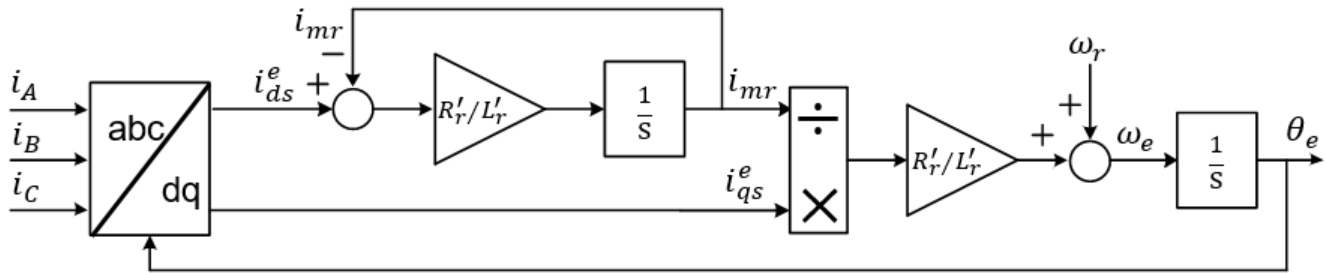
Induction machine flux observer for field-oriented control

Library: Simscape / Electrical / Control / Observers



Description

The Induction Machine Flux Observer block obtains the synchronous speed, ω_e , and electrical angle, θ_e , that are required for performing rotor field-oriented control (FOC). The figure shows the equivalent circuit for the observer.



Equations

To determine the synchronous speed and electrical angle, the Induction Machine Flux Observer block uses these relationships:

$$\lambda_{dr}^e = L_r i_{dr}^e + L_M i_{ds}^e \triangleq L_M i_{mr}$$

$$0 = R_r i_{dr}^e - (\omega_e - \omega_r) \lambda_{qr}^e + \frac{d\lambda_{dr}^e}{dt},$$

and

$$i_{qr}^e = -\frac{L_M}{L_r} i_{qs}^e,$$

in these combined forms:

$$i_{dr}^e = \frac{L_M}{L_r} (i_{mr} - i_{ds}^e)$$

$$\frac{di_{mr}}{dt} = \frac{R_r}{L_r} (i_{ds}^e - i_{mr})$$

and

$$\omega_e = \omega_r + \frac{R_r i_{qs}^e}{L_r i_{mr}}$$

where:

- λ_{dr}^e is the d -axis rotor flux.
- i_{mr} is the magnetizing current.
- i_{ds}^e and i_{qs}^e are the d -axis and q -axis stator currents.
- i_{dr}^e and i_{qr}^e are the d -axis and q -axis rotor currents.
- ω_e is the synchronous speed.
- ω_r is the mechanical rotational speed.
- R_r is the rotor resistance, referred to the stator side.
- L_r is the rotor leakage inductance, referred to the stator side.
- L_M the magnetizing inductance.

Ports

Input

iabc – Current

vector

Measured stator currents in the per-unit system.

Data Types: single | double

wr – Speed

scalar

Measured rotational speed.

Data Types: single | double

Output

idqseF – Current

vector

Filtered d -axis and q -axis stator currents in the synchronous reference frame.

Data Types: single | double

imr – Current

scalar

Magnetizing rotor current.

Data Types: single | double

theta – Electrical angle

scalar

Rotor electrical angle.

Data Types: single | double

we – Synchronous speed

scalar

Rotor synchronous speed.

Data Types: single | double

Parameters**Rated electrical frequency (Hz) – Frequency**

60 (default) | positive

Machine rated electrical frequency.

Rotor resistance, referred to the stator side (pu) – Resistance

0.01 (default) | positive

Rotor resistance, referred to the stator side, in the per-unit system.

Rotor leakage inductance, referred to the stator side (pu) – Inductance

0.06 (default) | positive

Rotor leakage inductance, referred to the stator side, in the per-unit system.

Magnetizing inductance (pu) – Inductance

2.7 (default) | positive

Magnetizing inductance in the per-unit system.

Time constant for dq currents filters (s) – Time constant

1e-4 (default) | 0 or positive

Time constant used to low-pass filter the d - q currents.**Sample time (-1 for inherited) – Block sample time**

-1 (default) | positive scalar

Time, in s, between consecutive block executions. During execution, the block produces outputs and, if appropriate, updates its internal state. For more information, see “What Is Sample Time?” and “Specify Sample Time”.

If this block is inside a triggered subsystem, inherit the sample time by setting this parameter to -1. If this block is in a continuous variable-step model, specify the sample time explicitly using a positive scalar.

References

[1] Vas, P. *Electrical Machines and Drives: A Space-vector Theory Approach*. New York: Oxford University Press, 1992.

Extended Capabilities

C/C++ Code Generation

Generate C and C++ code using Simulink® Coder™.

See Also

Blocks

[Induction Machine Current Controller](#) | [Induction Machine Direct Torque Control](#) | [Induction Machine Direct Torque Control \(Single-Phase\)](#) | [Induction Machine Direct Torque Control with Space Vector Modulator](#) | [Induction Machine Field-Oriented Control](#) | [Induction Machine Field-Oriented Control \(Single-Phase\)](#) | [Induction Machine Scalar Control](#)

Introduced in R2017b

Induction Machine Measurement

Per-unit measurement from induction machine

Library: Simscape / Electrical / Electromechanical / Asynchronous



Description

The Induction Machine Measurement block outputs a per-unit measurement associated with a connected Induction Machine Squirrel Cage or Induction Machine Wound Rotor block. The input of the Induction Machine Measurement block connects to the pu output port of the induction machine block.

You set the **Output** parameter to a per-unit measurement associated with the induction machine. Based on the value you select, the Induction Machine Measurement block:

- Directly outputs the value of an element in the input signal vector
- Calculates the per-unit measurement by using values of elements in the input signal vector in mathematical expressions

The Induction Machine Measurement block outputs a per-unit measurement from the induction machine according to the output value expressions in the table. For example, when you set **Output** to *Stator d-axis voltage*, the block directly outputs the value of the *pu_vds* element in the input signal vector. However, when you set **Output** to *Slip*, the block calculates the slip value by subtracting the value of the *pu_velocity* element from 1.

Output Parameter Setting	Output Value Expression
Electrical torque	pu_torque
Rotor velocity	pu_velocity
Stator d-axis voltage	pu_vds
Stator q-axis voltage	pu_vqs
Stator zero-sequence voltage	pu_v0s
Stator d-axis current	pu_ids
Stator q-axis current	pu_iqs
Stator zero-sequence current	pu_i0s
Slip	1-pu_velocity
Apparent power	$\sqrt{pu_Pt^2 + pu_Qt^2}$
Real power	$pu_Pt = (pu_vds*pu_ids) + (pu_vqs*pu_iqs) + 2(pu_v0s*pu_i0s)$
Reactive power	$pu_Qt = (pu_vqs*pu_ids) - (pu_vds*pu_iqs)$
Terminal voltage	$\sqrt{pu_vds^2 + pu_vqs^2}$

Output Parameter Setting	Output Value Expression
Terminal current	$\sqrt{pu_ids^2 + pu_iqs^2}$
Power factor angle (rad)	power_factor_angle = atan2(pu_Qt, pu_Pt)
Power factor	cos(power_factor_angle)

Ports

Input

pu — Input port

physical

Physical signal vector associated with per-unit measurements from a connected induction machine. The vector elements are:

- *pu_torque*
- *pu_velocity*
- *pu_vds*
- *pu_vqs*
- *pu_v0s*
- *pu_ids*
- *pu_iqs*
- *pu_i0s*

Output

o — Per-unit measurement output

physical

Physical signal associated with the per-unit measurement output.

Parameters

Output — Per-unit measurement

Electrical torque (default) | Rotor velocity | Stator d-axis voltage | Stator q-axis voltage | Stator zero-sequence voltage | Stator d-axis current | Stator q-axis current | Stator zero-sequence current | Slip | Apparent power | Real power | Reactive power | Terminal voltage | Power factor angle | Power factor angle

Per-unit measurement from induction machine. Options are:

- Electrical torque
- Rotor velocity
- Stator d-axis voltage
- Stator q-axis voltage
- Stator zero-sequence voltage
- Stator d-axis current

- Stator q-axis current
- Stator zero-sequence current
- Slip
- Apparent power
- Real power
- Reactive power
- Terminal voltage
- Power factor angle
- Power factor angle

Extended Capabilities

C/C++ Code Generation

Generate C and C++ code using Simulink® Coder™.

See Also

Simscape Blocks

Induction Machine (Single-Phase) | Induction Machine Squirrel Cage | Induction Machine Wound Rotor

Blocks

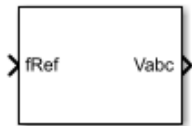
Induction Machine Current Controller | Induction Machine Direct Torque Control | Induction Machine Direct Torque Control (Single-Phase) | Induction Machine Direct Torque Control with Space Vector Modulator | Induction Machine Field-Oriented Control | Induction Machine Field-Oriented Control (Single-Phase) | Induction Machine Flux Observer | Induction Machine Scalar Control

Introduced in R2013b

Induction Machine Scalar Control

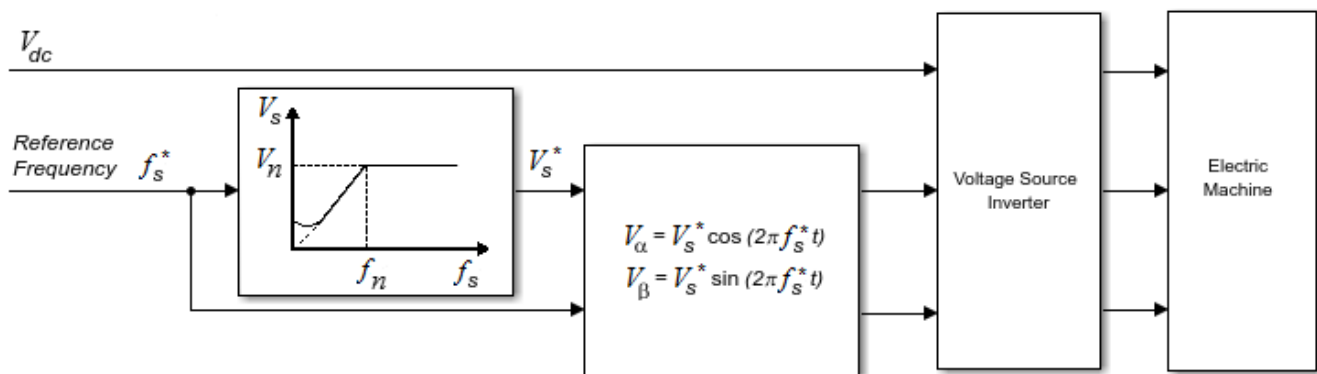
Induction machine V/f control

Library: Simscape / Electrical / Control / Induction Machine Control



Description

The Induction Machine Scalar Control block implements an induction machine scalar, that is V/f or V/Hz, control structure. The diagram shows the open-loop V/f control structure that the block implements.



Equations

The Induction Machine Scalar Control block computes the magnitude of the stator voltage based on the reference frequency, f_s^* , as:

$$V_s^* = \left(\frac{V_n - V_{min}}{f_n - f_{min}} \right) f_s^*,$$

where:

- V_n is the rated voltage.
- V_{min} is the minimum voltage.
- f_n is the rated electrical frequency.
- f_{min} is the minimum frequency.

The voltage components in the stationary reference frame are:

$$V_\alpha = V_s^* \cos(2\pi f_s^* t)$$

and

$$V_{\beta} = V_s^* \sin(2\pi f_s^* t).$$

The block obtains V_{abc} from V_{α} and V_{β} by using an inverse Clarke transformation.

Ports

Input

fRef — Frequency

scalar

Reference electrical frequency.

Example: Example

Data Types: single | double

Output

Vabc — Voltage

vector

Reference phase voltages.

Example: Example

Data Types: single | double

Parameters

Rated electrical frequency (Hz) — Frequency

60 (default) | positive scalar

Nominal frequency.

Rated voltage (V) — Voltage

550 (default) | positive and greater than the value of the **Minimum voltage (V)** parameter

Nominal voltage.

Minimum voltage (V) — Voltage

10 (default) | zero or positive

Lower bound for the voltage.

Sample time (-1 for inherited) — Block sample time

-1 (default) | positive scalar

Time, in s, between consecutive block executions. During execution, the block produces outputs and, if appropriate, updates its internal state. For more information, see “What Is Sample Time?” and “Specify Sample Time”.

If this block is inside a triggered subsystem, inherit the sample time by setting this parameter to -1. If this block is in a continuous variable-step model, specify the sample time explicitly using a positive scalar.

Extended Capabilities

C/C++ Code Generation

Generate C and C++ code using Simulink® Coder™.

See Also

Blocks

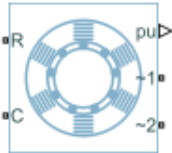
Induction Machine Current Controller | Induction Machine Direct Torque Control | Induction Machine Direct Torque Control (Single-Phase) | Induction Machine Direct Torque Control with Space Vector Modulator | Induction Machine Field-Oriented Control (Single-Phase) | Induction Machine Flux Observer

Introduced in R2017b

Induction Machine Squirrel Cage

Squirrel-cage-rotor induction machine with per-unit or SI parameterization

Library: Simscape / Electrical / Electromechanical / Asynchronous



Description

The Induction Machine Squirrel Cage block models a squirrel-cage-rotor induction machine with fundamental parameters expressed in per-unit or in the International System of Units (SI). A squirrel-cage-rotor induction machine is a type of induction machine. All stator connections are accessible on the block. Therefore, you can model soft-start regimes using a switch between wye and delta configurations. If you need access to the rotor windings, use the Induction Machine Wound Rotor block instead.

Connect port ~1 to a three-phase circuit. To connect the stator in delta configuration, connect a Phase Permute block between ports ~1 and ~2. To connect the stator in wye configuration, connect port ~2 to a Grounded Neutral (Three-Phase) or a Floating Neutral (Three-Phase) block.

Induction Machine Initialization Using Load-Flow Target Values

If the block is in a network that is compatible with the frequency-time simulation mode, you can perform a load-flow analysis on the network. A load-flow analysis provides steady-state values that you can use to initialize the machine.

For more information, see “Perform a Load-Flow Analysis Using Simscape Electrical” and “Frequency and Time Simulation Mode”. For an example that shows how initialize an induction machine using data from a load flow analysis, see “Induction Motor Initialization with Loadflow”.

Equations

For the SI implementation, the block converts the SI values that you enter to per-unit values for simulation. The converted values are based on the machine being connected in a delta-winding configuration.

For the per-unit implementation, you must specify the resistances and inductances in the impedances tab based on the machine being connected in a delta-winding configuration.

For information on the relationship between SI and per-unit machine parameters, see “Per-Unit Conversion for Machine Parameters”. For information on per-unit parameterization, see “Per-Unit System of Units”.

The induction machine equations are expressed with respect to a synchronous reference frame, defined by

$$\theta_e(t) = \int_0^t 2\pi f_{rated} dt,$$

where f_{rated} is the value of the **Rated electrical frequency** parameter.

The Park transformation maps stator equations to a reference frame that is stationary with respect to the rated electrical frequency. The Park transformation is defined by

$$P_s = \frac{2}{3} \begin{bmatrix} \cos\theta_e & \cos(\theta_e - \frac{2\pi}{3}) & \cos(\theta_e + \frac{2\pi}{3}) \\ -\sin\theta_e & -\sin(\theta_e - \frac{2\pi}{3}) & -\sin(\theta_e + \frac{2\pi}{3}) \\ \frac{1}{2} & \frac{1}{2} & \frac{1}{2} \end{bmatrix},$$

where θ_e is the electrical angle.

The Park transformation is used to define the per-unit induction machine equations. The stator voltage equations are defined by

$$v_{ds} = \frac{1}{\omega_{base}} \frac{d\psi_{ds}}{dt} - \omega\psi_{qs} + R_s i_{ds},$$

$$v_{qs} = \frac{1}{\omega_{base}} \frac{d\psi_{qs}}{dt} + \omega\psi_{ds} + R_s i_{qs},$$

and

$$v_{0s} = \frac{1}{\omega_{base}} \frac{d\psi_{0s}}{dt} + R_s i_{0s},$$

where:

- v_{ds} , v_{qs} , and v_{0s} are the d -axis, q -axis, and zero-sequence stator voltages, defined by

$$\begin{bmatrix} v_{ds} \\ v_{qs} \\ v_{0s} \end{bmatrix} = P_s \begin{bmatrix} v_a \\ v_b \\ v_c \end{bmatrix}.$$

v_a , v_b , and v_c are the stator voltages across ports ~1 and ~2.

- ω_{base} is the per-unit base electrical speed.
- ψ_{ds} , ψ_{qs} , and ψ_{0s} are the d -axis, q -axis, and zero-sequence stator flux linkages.
- R_s is the stator resistance.
- i_{ds} , i_{qs} , and i_{0s} are the d -axis, q -axis, and zero-sequence stator currents defined by

$$\begin{bmatrix} i_{ds} \\ i_{qs} \\ i_{0s} \end{bmatrix} = P_s \begin{bmatrix} i_a \\ i_b \\ i_c \end{bmatrix}.$$

i_a , i_b , and i_c are the stator currents flowing from port ~1 to port ~2.

The rotor voltage equations are defined by

$$v_{dr} = \frac{1}{\omega_{base}} \frac{d\psi_{dr}}{dt} - (\omega - \omega_r)\psi_{qr} + R_{rd}i_{dr} = 0$$

and

$$v_{qr} = \frac{1}{\omega_{base}} \frac{d\psi_{qr}}{dt} + (\omega - \omega_r)\psi_{dr} + R_{rd}i_{qr} = 0,$$

where:

- v_{dr} and v_{qr} are the d -axis and q -axis rotor voltages.
- ψ_{dr} and ψ_{qr} are the d -axis and q -axis rotor flux linkages.
- ω is the per-unit synchronous speed. For a synchronous reference frame, the value is 1.
- ω_r is the per-unit mechanical rotational speed.
- R_{rd} is the rotor resistance referred to the stator.
- i_{dr} and i_{qr} are the d -axis and q -axis rotor currents.

The stator flux linkage equations are defined by

$$\psi_{ds} = L_{ss}i_{ds} + L_m i_{dr},$$

$$\psi_{qs} = L_{ss}i_{qs} + L_m i_{qr},$$

and

$$\psi_{0s} = L_{ss}i_{0s},$$

where L_{ss} is the stator self-inductance and L_m is the magnetizing inductance.

The rotor flux linkage equations are defined by

$$\psi_{dr} = L_{rrd}i_{dr} + L_m i_{ds}$$

and

$$\psi_{qr} = L_{rrd}i_{qr} + L_m i_{qs},$$

where L_{rrd} is the rotor self-inductance referred to the stator.

The rotor torque is defined by

$$T = \psi_{ds}i_{qs} - \psi_{qs}i_{ds}.$$

The stator self-inductance L_{ss} , stator leakage inductance L_{ls} , and magnetizing inductance L_m are related by

$$L_{ss} = L_{ls} + L_m.$$

The rotor self-inductance L_{rrd} , rotor leakage inductance L_{lrd} , and magnetizing inductance L_m are related by

$$L_{rrd} = L_{lrd} + L_m.$$

When a saturation curve is provided, the equations to determine the saturated magnetizing inductance as a function of magnetizing flux are:

$$L_{m_sat} = f(\psi_m)$$

$$\psi_m = \sqrt{\psi_{dm}^2 + \psi_{qm}^2}$$

For no saturation, the equation reduces to

$$L_{m_sat} = L_m$$

Plotting and Display Options

You can perform plotting and display actions using the **Electrical** menu on the block context menu.

Right-click the block and, from the **Electrical** menu, select an option:

- **Display Base Values** — Displays the machine per-unit base values in the MATLAB Command Window.
- **Plot Torque Speed (SI)** — Plots torque versus speed, both measured in SI units, in a MATLAB figure window using the current machine parameters.
- **Plot Torque Speed (pu)** — Plots torque versus speed, both measured in per-unit, in a MATLAB figure window using the current machine parameters.
- **Plot Open-Circuit Saturation** — Plots terminal voltage versus no-load line current, both in per-unit, in a MATLAB figure window. The plot contains three traces:
 - Unsaturated — Stator magnetizing inductance (unsaturated).
 - Saturated — Open-circuit lookup table (v versus i) you specify.
 - Derived — Open-circuit lookup table derived from the per-unit open-circuit lookup table (v versus i) you specify. This data is used to calculate the saturated magnetizing inductance, L_{m_sat} , and the saturation factor, K_s , versus magnetic flux linkage, ψ_m , characteristics.
- **Plot Saturation Factor** — Plots saturation factor, K_s , versus magnetic flux linkage, ψ_m , in a MATLAB figure window using the machine parameters. This parameter is derived from other parameters that you specify:
 - No-load line current saturation data, i
 - Terminal voltage saturation data, v
 - Leakage inductance, L_{ls}
- **Plot Saturated Inductance** — Plots magnetizing inductance, L_{m_sat} , versus magnetic flux linkage, ψ_m , in a MATLAB figure window using the machine parameters. This parameter is derived from other parameters that you specify:
 - No-load line current saturation data, i
 - Terminal voltage saturation data, v
 - Leakage inductance, L_{ls}

For the SI implementation, v is in V (phase-phase RMS) and i is in A (rms).

Variables

Use the **Variables** settings to specify the priority and initial target values for the block variables before simulation. For more information, see “Set Priority and Initial Target for Block Variables”.

The type of variables that are visible in the **Variables** settings depends on the initialization method that you select, in the **Main** settings, for the **Initialization option** parameter. To specify target values using:

- Flux variables — Set the **Initialization option** parameter to `Set targets for flux variables`.
- Data from a load-flow analysis — Set the **Initialization option** parameter to `Set targets for load flow variables`.

If you select `Set targets for load flow variables`, to fully specify the initial condition, you must include an initialization constraint in the form of a high-priority target value. For example, if your induction machine is connected to an Inertia block, the initial condition for the induction machine is completely specified if, in the **Variables** settings of the Inertia block, the **Priority** for **Rotational velocity** is set to `High`. Alternatively, you could set the **Priority** to `None` for the Inertia block **Rotational velocity**, and instead set the **Priority** for the induction machine block **Slip**, **Real power generated**, or **Mechanical power consumed** to `High`.

Ports

Input

pu — Per-unit measurements output port

physical

Physical signal vector port associated with the machine per-unit measurements. The vector elements are:

- *pu_torque*
- *pu_velocity*
- *pu_vds*
- *pu_vqs*
- *pu_v0s*
- *pu_ids*
- *pu_iqs*
- *pu_i0s*

Conserving

R — Machine rotor

mechanical

Mechanical rotational conserving port associated with the machine rotor.

C — Machine case

mechanical

Mechanical rotational conserving port associated with the machine case.

~1 — Stator positive-end connections

electrical

Expandable three-phase port associated with the stator positive-end connections.

~2 — Stator negative-end connections

electrical

Expandable three-phase port associated with the stator negative-end connections.

Parameters

All default parameter values are based on a machine delta-winding configuration.

Main**Rated apparent power — Rated apparent power**

15e3 V*A (default)

Rated apparent power of the induction machine.

Rated voltage — RMS voltage

220 V (default)

RMS line-line voltage.

Rated electrical frequency — Nominal electrical frequency

60 Hz (default)

Nominal electrical frequency corresponding to the rated apparent power.

Number of pole pairs — Machine pole pairs

1 (default)

Number of machine pole pairs.

Parameterization unit — Unit system for block parameterization

SI (default) | Per unit

Unit system for block parameterization. Choose between SI, the international system of units, and Per unit, the per-unit system.

Dependencies

Selecting:

- SI exposes SI parameters in the **Impedances** and **Saturation** settings.
- Per unit exposes per-unit parameters in the **Impedances** and **Saturation** settings.

Squirrel cage — Squirrel cage specification option

Single squirrel cage (default) | Double squirrel cage

Option to specify a single or double squirrel cage for the machine.

Setting this parameter to Double squirrel cage exposes **Impedances** parameters for the second cage.

Zero sequence — Zero sequence

Include (default) | Exclude

Zero-sequence model:

- **Include** — Prioritize model fidelity. An error occurs if you Include zero-sequence terms for simulations that use the Partitioning solver. For more information, see “Increase Simulation Speed Using the Partitioning Solver”.
- **Exclude** — Prioritize simulation speed for desktop simulation or real-time deployment.

Dependencies

If this parameter is set to:

- **Include** and **Parameterization unit** is set to **SI** — The **Stator zero-sequence reactance, X0** parameter in the **Impedances** settings is visible.
- **Include** and **Parameterization unit** is set to **Per unit** — The **Stator zero-sequence inductance, pu_L0 (pu)** parameter in the **Impedances** settings is visible.
- **Exclude** — The stator zero-sequence parameter in the **Impedances** settings is not visible.

Initialization option — Initialization method

Set targets for flux variables (default) | Set targets for load flow variables

Initialization method. You can initialize a machine for steady-state simulation using either flux data or data from a load-flow analysis.

If you select **Set targets for load flow variables**, to fully specify the initial condition, you must include an initialization constraint in the form of a high-priority target value. For example, if your induction machine is connected to an Inertia block, the initial condition for the induction machine is completely specified if, in the **Variables** settings of the Inertia block, the **Priority** for **Rotational velocity** is set to **High**. Alternatively, you could set the **Priority** to **None** for the Inertia block **Rotational velocity**, and instead set the **Priority** for the induction machine block **Slip, Real power generated**, or **Mechanical power consumed** to **High**.

Dependencies

The type of variables that are visible in the **Variables** settings depends on the initialization method that you select, in the **Main** settings, for the **Initialization option** parameter. To specify target values using:

- Flux variables — Set the **Initialization option** parameter to **Set targets for flux variables**.
- Data from a load-flow analysis — Set the **Initialization option** parameter to **Set targets for load flow variables**.

Impedances

For the **Parameterization unit** parameter in the **Main** settings, select **SI** to expose SI parameters or **Per unit** to expose per-unit parameters.

Stator resistance, Rs — Stator resistance

0.25 Ohm (default)

Stator resistance.

Dependencies

This parameter is visible only if you set the **Parameterization unit** parameter in the **Main** setting to SI.

Stator leakage reactance, X_l — Stator leakage reactance

0.4 Ohm (default)

Stator leakage reactance.

Dependencies

This parameter is visible only if you set the **Parameterization unit** parameter in the **Main** setting to SI.

Referred rotor resistance, R_r' — Referred rotor resistance

0.14 Ohm (default)

Rotor resistance referred to the stator.

Dependencies

This parameter is visible only if you set the **Parameterization unit** parameter in the **Main** setting to SI and the **Squirrel cage** parameter in the **Main** setting to Single squirrel cage.

Referred rotor leakage reactance, X_{lr}' — Referred rotor leakage reactance

0.41 Ohm (default)

Rotor leakage reactance referred to the stator.

Dependencies

This parameter is visible only if you set the **Parameterization unit** parameter in the **Main** setting to SI and the **Squirrel cage** parameter in the **Main** setting to Single squirrel cage.

Referred rotor resistance in cage 1, R_{r1}' — Referred rotor resistance in the first cage

0.28 Ohm (default)

Rotor resistance in cage 1.

Dependencies

This parameter is visible only if you set the **Parameterization unit** parameter in the **Main** setting to SI and the **Squirrel cage** parameter in the **Main** setting to Double squirrel cage.

Referred rotor leakage reactance in cage 1, X_{lr1}' — Referred rotor leakage reactance in the first cage

0.82 Ohm (default)

Rotor leakage reactance in cage 1.

Dependencies

This parameter is visible only if you set the **Parameterization unit** parameter in the **Main** setting to SI and the **Squirrel cage** parameter in the **Main** setting to Double squirrel cage.

Referred rotor resistance in cage 2, $Rr2'$ – Referred rotor resistance in the second cage

0.28 Ohm (default)

Rotor resistance in cage 2.

Dependencies

This parameter is visible only if you set the **Parameterization unit** parameter in the **Main** setting to SI and the **Squirrel cage** parameter in the **Main** setting to Double squirrel cage.

Referred rotor leakage reactance in cage 2, $Xlr2'$ – Referred rotor leakage reactance in the first cage

0.82 Ohm (default)

Rotor leakage reactance in cage 2.

Dependencies

This parameter is visible only if you set the **Parameterization unit** parameter in the **Main** setting to SI and the **Squirrel cage** parameter in the **Main** setting to Double squirrel cage.

Magnetizing reactance, Xm – Magnetizing reactance

17 Ohm (default)

Magnetizing reactance.

Dependencies

This parameter is visible only if you set the **Parameterization unit** parameter in the **Main** setting to SI.

Stator zero-sequence reactance, $X0$ – Stator zero-sequence reactance

0.4 Ohm (default)

Stator zero-sequence reactance.

Dependencies

This parameter is visible only if you set the **Parameterization unit** parameter in the **Main** setting to SI and the **Zero sequence** parameter in the **Main** setting to Include.

Stator resistance, Rs (pu) – Per-unit stator resistance

0.0258 (default)

Per-unit stator resistance.

Dependencies

This parameter is visible only if you set the **Parameterization unit** parameter in the **Main** setting to Per unit.

Stator leakage inductance, Lls (pu) – Per-unit stator leakage inductance

0.0413 (default)

Per-unit stator leakage inductance.

Dependencies

This parameter is visible only if you set the **Parameterization unit** parameter in the **Main** setting to Per unit.

Referred rotor resistance, R_r' (pu) – Per-unit referred rotor resistance

0.0145 (default)

Per-unit rotor resistance referred to the stator.

Dependencies

This parameter is visible only if you set the **Parameterization unit** parameter in the **Main** setting to Per unit and the **Squirrel cage** parameter in the **Main** setting to Single squirrel cage.

Referred rotor leakage inductance, L_{lr}' (pu) – Per-unit referred rotor leakage inductance

0.0424 (default)

Per-unit rotor leakage inductance referred to the stator.

Dependencies

This parameter is visible only if you set the **Parameterization unit** parameter in the **Main** setting to Per unit and the **Squirrel cage** parameter in the **Main** setting to Single squirrel cage.

Referred rotor resistance in cage 1, R_{r1}' (pu) – Per-unit referred rotor resistance in cage 1

0.0290 (default)

Per-unit rotor resistance in cage 1.

Dependencies

This parameter is visible only if you set the **Parameterization unit** parameter in the **Main** setting to Per unit and the **Squirrel cage** parameter in the **Main** setting to Double squirrel cage.

Referred rotor leakage inductance in cage 1, L_{lr1}' (pu) – Per-unit referred rotor leakage inductance

0.0848 (default)

Per-unit rotor leakage inductance in cage 1.

Dependencies

This parameter is visible only if you set the **Parameterization unit** parameter in the **Main** setting to Per unit and the **Squirrel cage** parameter in the **Main** setting to Double squirrel cage.

Referred rotor resistance in cage 2, R_{r2}' (pu) – Per-unit referred rotor resistance in cage 2

0.0290 (default)

Per-unit rotor resistance in cage 2.

Dependencies

This parameter is visible only if you set the **Parameterization unit** parameter in the **Main** setting to Per unit and the **Squirrel cage** parameter in the **Main** setting to Double squirrel cage.

Referred rotor leakage inductance in cage 2, L_{lr2}' (pu) – Per-unit referred rotor leakage inductance

0.0848 (default)

Per-unit rotor leakage inductance in cage 2.

Dependencies

This parameter is visible only if you set the **Parameterization unit** parameter in the **Main** setting to Per unit and the **Squirrel cage** parameter in the **Main** setting to Double squirrel cage.

Magnetizing inductance, L_m (pu) – Per-unit magnetizing inductance

1.7562 (default)

Per-unit magnetizing inductance, that is, the peak value of stator-rotor mutual inductance.

Dependencies

This parameter is visible only if you set the **Parameterization unit** parameter in the **Main** setting to Per unit.

Stator zero-sequence inductance, L_0 (pu) – Per-unit stator zero-sequence inductance

0.0413 (default)

Per-unit stator zero-sequence inductance.

Dependencies

This parameter is visible only if you set the **Parameterization unit** parameter in the **Main** setting to Per unit and the **Zero sequence** parameter in the **Main** setting to Include.

Saturation

For the **Parameterization unit** parameter in the **Main** settings, select SI to expose SI parameters or Per unit to expose per-unit parameters.

The saturation characteristic is based on the machine being connected in a delta-winding configuration.

Magnetic saturation representation – Magnetic saturation representationNone (default) | Open-circuit lookup table (v versus i)

Block magnetic saturation representation.

Dependencies

If this parameter is set to Open-circuit lookup table (v versus i), related parameters are visible.

No-load line current saturation data, i (rms) – No-load line RMS current saturation data

[0, 4, 9, 18, 25, 34, 50, 68, 95, 120] A (default)

Current i data populates the voltage v versus field current i lookup table. This parameter must contain a vector with at least 10 elements.

Dependencies

This parameter is visible only if the **Magnetic saturation representation** parameter is set to Open-circuit lookup table (v versus i) and, in the **Main** settings, the **Parameterization unit** parameter is set to SI.

Terminal voltage saturation data, v (phase-phase, rms) — Terminal RMS voltage saturation data

[0, 88, 154, 198, 220, 242, 264, 286, 308, 327] V (default)

Terminal voltage v data populates the voltage v versus current i lookup table. This parameter must contain a vector with at least 10 elements. The number of elements must match the number of elements in the vector for the **No-load line current saturation data, i (rms)** parameter.

Dependencies

This parameter is visible only if the **Magnetic saturation representation** parameter is set to Open-circuit lookup table (v versus i) and, in the **Main** settings, the **Parameterization unit** parameter is set to SI.

Per-unit no-load line current saturation data, i — Per-unit no-load line current saturation data

[0, .176, .396, .792, 1.1, 1.496, 2.2, 2.992, 4.18, 5.28] (default)

Current i data populates the voltage v versus field current i lookup table. This parameter must contain a vector with at least 10 elements.

Dependencies

This parameter is visible only if the **Magnetic saturation representation** parameter is set to Open-circuit lookup table (v versus i) and, in the **Main** settings, the **Parameterization unit** parameter is set to Per unit.

Per-unit terminal voltage saturation data, v — Per-unit terminal voltage saturation data

[0, .4, .7, .9, 1, 1.1, 1.2, 1.3, 1.4, 1.4864] (default)

Terminal voltage v data populates the voltage v versus current i lookup table. This parameter must contain a vector with at least 10 elements. The number of elements must match the number of elements in the vector for the **Per-unit no-load line current saturation data, i** parameter.

Dependencies

This parameter is visible only if the **Magnetic saturation representation** parameter is set to Open-circuit lookup table (v versus i) and, in the **Main** settings, the **Parameterization unit** parameter is set to Per unit.

Compatibility Considerations**Saturation characteristic update**

Behavior changed in R2020a

From R2020a forward, for the saturation characteristic, the Induction Machine Squirrel Cage block takes into account the magnetic flux due to the leakage inductance.

The default values for these parameters have changed:

- **Stator leakage reactance, X_{ls}**
- **Stator zero-sequence reactance, X_0**
- **Stator leakage inductance, L_{ls} (pu)**
- **Stator zero-sequence inductance, L_0 (pu)**
- **Terminal voltage saturation data, v (phase-phase, rms)**
- **Per-unit terminal voltage saturation data, v**

As a result of these changes, inside a model saved in an earlier release, if you have used the Induction Machine Squirrel Cage block with saturation enabled, review the saturation data.

References

- [1] Kundur, P. *Power System Stability and Control*. New York: McGraw Hill, 1993.
- [2] Lyshevski, S. E. *Electromechanical Systems, Electric Machines and Applied Mechatronics*. Boca Raton, FL: CRC Press, 1999.
- [3] Ojo, J. O., Consoli, A., and Lipo, T. A., "An improved model of saturated induction machines", *IEEE Transactions on Industry Applications*. Vol. 26, no. 2, pp. 212-221, 1990.

Extended Capabilities

C/C++ Code Generation

Generate C and C++ code using Simulink® Coder™.

See Also

Simscape Blocks

Induction Machine (Single-Phase) | Induction Machine Measurement | Induction Machine Wound Rotor

Blocks

Induction Machine Current Controller | Induction Machine Direct Torque Control | Induction Machine Direct Torque Control (Single-Phase) | Induction Machine Direct Torque Control with Space Vector Modulator | Induction Machine Field-Oriented Control | Induction Machine Field-Oriented Control (Single-Phase) | Induction Machine Flux Observer | Induction Machine Scalar Control

Topics

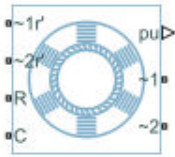
"Perform a Load-Flow Analysis Using Simscape Electrical"
 "Expand and Collapse Three-Phase Ports on a Block"

Introduced in R2013b

Induction Machine Wound Rotor

Wound-rotor induction machine with per-unit or SI parameterization

Library: Simscape / Electrical / Electromechanical / Asynchronous



Description

The Induction Machine Wound Rotor block models a wound-rotor asynchronous machine with fundamental parameters expressed in per-unit or in the International System of Units (SI). A wound-rotor asynchronous machine is a type of induction machine. All stator and rotor connections are accessible on the block. Therefore, you can model soft-start regimes using a switch between wye and delta configurations or by increasing rotor resistance. If you do not need access to the rotor windings, use the Induction Machine Squirrel Cage block instead.

Connect port **~1** to a three-phase circuit. To connect the stator in delta configuration, connect a Phase Permute block between ports **~1** and **~2**. To connect the stator in wye configuration, connect port **~2** to a Grounded Neutral or a Floating Neutral block. If you do not need to vary rotor resistance, connect rotor port **~1r** to a Floating Neutral block and rotor port **~2r** to a Grounded Neutral block.

The rotor circuit is referred to the stator. Therefore, when you use the block in a circuit, refer any additional circuit parameters to the stator.

Induction Machine Initialization Using Load-Flow Target Values

If the block is in a network that is compatible with the frequency-time simulation mode, you can perform a load-flow analysis on the network. A load-flow analysis provides steady-state values that you can use to initialize the machine.

For more information, see “Perform a Load-Flow Analysis Using Simscape Electrical” and “Frequency and Time Simulation Mode”. For an example that shows how initialize an induction machine using data from a load flow analysis, see “Induction Motor Initialization with Loadflow”.

Equations

For the SI implementation, the block converts the SI values that you enter to per-unit values for simulation. The converted values are based on the machine being connected in a delta-winding configuration.

For the per-unit implementation, you must specify the resistances and inductances in the impedances tab based on the machine being connected in a delta-winding configuration.

For information on the relationship between SI and per-unit machine parameters, see “Per-Unit Conversion for Machine Parameters”. For information on per-unit parameterization, see “Per-Unit System of Units”.

The asynchronous machine equations are expressed with respect to a synchronous reference frame, defined by

$$\theta_e(t) = \int_0^t 2\pi f_{rated} dt,$$

where f_{rated} is the value of the **Rated electrical frequency** parameter.

The Park transformation maps stator equations to a reference frame that is stationary with respect to the rated electrical frequency. The Park transformation is defined by

$$P_s = \frac{2}{3} \begin{bmatrix} \cos\theta_e & \cos(\theta_e - \frac{2\pi}{3}) & \cos(\theta_e + \frac{2\pi}{3}) \\ -\sin\theta_e & -\sin(\theta_e - \frac{2\pi}{3}) & -\sin(\theta_e + \frac{2\pi}{3}) \\ \frac{1}{2} & \frac{1}{2} & \frac{1}{2} \end{bmatrix},$$

where θ_e is the electrical angle.

The rotor equations are mapped to another reference frame, defined by the difference between the electrical angle and the product of rotor angle θ_r and number of pole pairs N :

$$P_r = \frac{2}{3} \begin{bmatrix} \cos(\theta_e - N\theta_r) & \cos(\theta_e - N\theta_r - \frac{2\pi}{3}) & \cos(\theta_e - N\theta_r + \frac{2\pi}{3}) \\ -\sin(\theta_e - N\theta_r) & -\sin(\theta_e - N\theta_r - \frac{2\pi}{3}) & -\sin(\theta_e - N\theta_r + \frac{2\pi}{3}) \\ \frac{1}{2} & \frac{1}{2} & \frac{1}{2} \end{bmatrix}.$$

The Park transformation is used to define the per-unit asynchronous machine equations. The stator voltage equations are defined by

$$v_{ds} = \frac{1}{\omega_{base}} \frac{d\psi_{ds}}{dt} - \omega\psi_{qs} + R_s i_{ds},$$

$$v_{qs} = \frac{1}{\omega_{base}} \frac{d\psi_{qs}}{dt} + \omega\psi_{ds} + R_s i_{qs},$$

and

$$v_{0s} = \frac{1}{\omega_{base}} \frac{d\psi_{0s}}{dt} + R_s i_{0s},$$

where:

- v_{ds} , v_{qs} , and v_{0s} are the d -axis, q -axis, and zero-sequence stator voltages, defined by

$$\begin{bmatrix} v_{ds} \\ v_{qs} \\ v_{0s} \end{bmatrix} = P_s \begin{bmatrix} v_a \\ v_b \\ v_c \end{bmatrix}.$$

v_a , v_b , and v_c are the stator voltages across ports **~1** and **~2**.

- ω_{base} is the per-unit base electrical speed.
- ψ_{ds} , ψ_{qs} , and ψ_{0s} are the d -axis, q -axis, and zero-sequence stator flux linkages.
- R_s is the stator resistance.
- i_{ds} , i_{qs} , and i_{0s} are the d -axis, q -axis, and zero-sequence stator currents, defined by

$$\begin{bmatrix} i_{ds} \\ i_{qs} \\ i_{0s} \end{bmatrix} = P_s \begin{bmatrix} i_a \\ i_b \\ i_c \end{bmatrix}.$$

i_a , i_b , and i_c are the stator currents flowing from port ~1 to port ~2.

The rotor voltage equations are defined by

$$v_{dr} = \frac{1}{\omega_{base}} \frac{d\psi_{dr}}{dt} - (\omega - \omega_r)\psi_{qr} + R_{rd}i_{dr},$$

$$v_{qr} = \frac{1}{\omega_{base}} \frac{d\psi_{qr}}{dt} + (\omega - \omega_r)\psi_{dr} + R_{rd}i_{qr},$$

and

$$v_{0r} = \frac{1}{\omega_{base}} \frac{d\psi_{0r}}{dt} + R_{rd}i_{0s},$$

where:

- v_{dr} , v_{qr} , and v_{0r} are the d -axis, q -axis, and zero-sequence rotor voltages, defined by

$$\begin{bmatrix} v_{dr} \\ v_{qr} \\ v_{0r} \end{bmatrix} = P_r \begin{bmatrix} v_{ar} \\ v_{br} \\ v_{cr} \end{bmatrix}.$$

v_{ar} , v_{br} , and v_{cr} are the rotor voltages across ports ~1r' and ~2r'.

- ψ_{dr} , ψ_{qr} , and ψ_{0r} are the d -axis, q -axis, and zero-sequence rotor flux linkages.
- ω is the per-unit synchronous speed. For a synchronous reference frame, the value is 1.
- ω_r is the per-unit mechanical rotational speed.
- R_{rd} is the rotor resistance referred to the stator.
- i_{dr} , i_{qr} , and i_{0r} are the d -axis, q -axis, and zero-sequence rotor currents, defined by

$$\begin{bmatrix} i_{dr} \\ i_{qr} \\ i_{0r} \end{bmatrix} = P_r \begin{bmatrix} i_{ar} \\ i_{br} \\ i_{cr} \end{bmatrix}.$$

i_{ar} , i_{br} , and i_{cr} are the rotor currents flowing from port ~1r' to port ~2r'.

The stator flux linkage equations are defined by

$$\psi_{ds} = L_{ss}i_{ds} + L_m i_{dr},$$

$$\psi_{qs} = L_{ss}i_{qs} + L_m i_{qr},$$

and

$$\psi_{0s} = L_{ss}i_{0s},$$

where L_{ss} is the stator self-inductance and L_m is the magnetizing inductance.

The rotor flux linkage equations are defined by

$$\psi_{dr} = L_{rrd}i_{dr} + L_m i_{ds}$$

$$\psi_{qr} = L_{rrd}i_{qr} + L_m i_{qs},$$

and

$$\psi_{0r} = L_{rrd}i_{0r},$$

where L_{rrd} is the rotor self-inductance referred to the stator.

The rotor torque is defined by

$$T = \psi_{ds}i_{qs} - \psi_{qs}i_{ds}.$$

The stator self-inductance L_{ss} , stator leakage inductance L_{ls} , and magnetizing inductance L_m are related by

$$L_{ss} = L_{ls} + L_m.$$

The rotor self-inductance L_{rrd} , rotor leakage inductance L_{lr} , and magnetizing inductance L_m are related by

$$L_{rrd} = L_{lr} + L_m.$$

When a saturation curve is provided, the equations to determine the saturated magnetizing inductance as a function of magnetizing flux are:

$$L_{m_sat} = f(\psi_m)$$

$$\psi_m = \sqrt{\psi_{dm}^2 + \psi_{qm}^2}$$

For no saturation, the equation reduces to

$$L_{m_sat} = L_m$$

Plotting and Display Options

You can perform plotting and display actions using the **Electrical** menu on the block context menu.

Right-click the block and, from the **Electrical** menu, select an option:

- **Display Base Values** — Displays the machine per-unit base values in the MATLAB Command Window.
- **Plot Torque Speed (SI)** — Plots torque versus speed, both measured in SI units, in a MATLAB figure window using the current machine parameters.
- **Plot Torque Speed (pu)** — Plots torque versus speed, both measured in per-unit, in a MATLAB figure window using the current machine parameters.

- **Plot Open-Circuit Saturation** — Plots terminal voltage versus no-load line current, both in per-unit, in a MATLAB figure window. The plot contains three traces:
 - Unsaturated — Stator magnetizing inductance (unsaturated).
 - Saturated — Open-circuit lookup table (v versus i) you specify.
 - Derived — Open-circuit lookup table derived from the per-unit open-circuit lookup table (v versus i) you specify. This data is used to calculate the saturated magnetizing inductance, L_{m_sat} , and the saturation factor, K_s , versus magnetic flux linkage, ψ_m , characteristics.
- **Plot Saturation Factor** — Plots saturation factor, K_s , versus magnetic flux linkage, ψ_m , in a MATLAB figure window using the machine parameters. This parameter is derived from other parameters that you specify:
 - No-load line current saturation data, i
 - Terminal voltage saturation data, v
 - Leakage inductance, L_{ls}
- **Plot Saturated Inductance** — Plots magnetizing inductance, L_{m_sat} , versus magnetic flux linkage, ψ_m , in a MATLAB figure window using the machine parameters. This parameter is derived from other parameters that you specify:
 - No-load line current saturation data, i
 - Terminal voltage saturation data, v
 - Leakage inductance, L_{ls}

For the SI implementation, v is in V (phase-phase RMS) and i is in A (rms).

Variables

Use the **Variables** settings to specify the priority and initial target values for the block variables before simulation. For more information, see “Set Priority and Initial Target for Block Variables”.

The type of variables that are visible in the **Variables** settings depends on the initialization method that you select, in the **Main** settings, for the **Initialization option** parameter. To specify target values using:

- Flux variables — Set the **Initialization option** parameter to **Set targets for flux variables**.
- Data from a load-flow analysis — Set the **Initialization option** parameter to **Set targets for load flow variables**.

If you select **Set targets for load flow variables**, to fully specify the initial condition, you must include an initialization constraint in the form of a high-priority target value. For example, if your induction machine is connected to an Inertia block, the initial condition for the induction machine is completely specified if, in the **Variables** settings of the Inertia block, the **Priority** for **Rotational velocity** is set to **High**. Alternatively, you could set the **Priority** to **None** for the Inertia block **Rotational velocity**, and instead set the **Priority** for the induction machine block **Slip, Real power generated**, or **Mechanical power consumed** to **High**.

Ports

Output

pu — Per-unit measurements output port

physical

Physical signal vector port associated with the machine per-unit measurements. The vector elements are:

- *pu_torque*
- *pu_velocity*
- *pu_vds*
- *pu_vqs*
- *pu_v0s*
- *pu_ids*
- *pu_iqs*
- *pu_i0s*

Conserving

R — Machine rotor

mechanical

Mechanical rotational conserving port associated with the machine rotor.

C — Machine case

mechanical

Mechanical rotational conserving port associated with the machine case.

~1 — Stator positive-end connections

electrical

Expandable three-phase port associated with the stator positive-end connections.

~2 — Stator negative-end connections

electrical

Expandable three-phase port associated with the stator negative-end connections.

~1r' — Rotor positive-end connections

electrical

Expandable three-phase port associated with the rotor positive-end connections.

~2r' — Rotor negative-end connections

electrical

Expandable three-phase port associated with the rotor negative-end connections.

Parameters

All default parameter values are based on a machine delta-winding configuration.

Main

Rated apparent power — Rated apparent power

15e3 V*A (default)

Rated apparent power of the induction machine.

Rated voltage — RMS voltage

220 V (default)

RMS line-line voltage.

Rated electrical frequency — Nominal electrical frequency

60 Hz (default)

Nominal electrical frequency corresponding to the rated apparent power.

Number of pole pairs — Machine pole pairs

1 (default)

Number of machine pole pairs.

Parameterization unit — Unit system for block parameterization

SI (default) | Per unit

Unit system for block parameterization. Choose between SI, the international system of units, and Per unit, the per-unit system.

Dependencies

Selecting:

- SI exposes SI parameters in the **Impedances** and **Saturation** settings.
- Per unit exposes per-unit parameters in the **Impedances** and **Saturation** settings.

Zero sequence — Zero sequence

Include (default) | Exclude

Zero-sequence model:

- Include — Prioritize model fidelity. An error occurs if you Include zero-sequence terms for simulations that use the Partitioning solver. For more information, see “Increase Simulation Speed Using the Partitioning Solver”.
- Exclude — Prioritize simulation speed for desktop simulation or real-time deployment.

Dependencies

If this parameter is set to:

- Include and **Parameterization unit** is set to SI — The **Stator zero-sequence reactance, X0** parameter in the **Impedances** settings is visible.

- Include and **Parameterization unit** is set to Per unit — The **Stator zero-sequence inductance, L0 (pu)** parameter in the **Impedances** settings is visible.
- Exclude — The stator zero-sequence parameter in the **Impedances** settings is not visible.

Initialization option — Initialization method

Set targets for flux variables (default) | Set targets for load flow variables

Initialization method. You can initialize a machine for steady-state simulation using either flux data or data from a load-flow analysis.

If you select **Set targets for load flow variables**, to fully specify the initial condition, you must include an initialization constraint in the form of a high-priority target value. For example, if your induction machine is connected to an Inertia block, the initial condition for the induction machine is completely specified if, in the **Variables** settings of the Inertia block, the **Priority** for **Rotational velocity** is set to High. Alternatively, you could set the **Priority** to None for the Inertia block **Rotational velocity**, and instead set the **Priority** for the induction machine block **Slip, Real power generated**, or **Mechanical power consumed** to High.

Dependencies

The type of variables that are visible in the **Variables** settings depends on the initialization method that you select, in the **Main** settings, for the **Initialization option** parameter. To specify target values using:

- Flux variables — Set the **Initialization option** parameter to **Set targets for flux variables**.
- Data from a load-flow analysis — Set the **Initialization option** parameter to **Set targets for load flow variables**.

Impedances

For the **Parameterization unit** parameter in the **Main** settings, select SI to expose SI parameters or Per unit to expose per-unit parameters.

Stator resistance, Rs — Stator resistance

0.25 Ohm (default)

Stator resistance.

Dependencies

This parameter is visible only if you set the **Parameterization unit** parameter in the **Main** setting to SI.

Stator leakage reactance, Xls — Stator leakage reactance

0.4 Ohm (default)

Stator leakage reactance.

Dependencies

This parameter is visible only if you set the **Parameterization unit** parameter in the **Main** setting to SI.

Referred rotor resistance, Rr' — Referred rotor resistance

0.14 Ohm (default)

Rotor resistance referred to the stator.

Dependencies

This parameter is visible only if you set the **Parameterization unit** parameter in the **Main** setting to SI.

Referred rotor leakage reactance, X_{lr}' — Referred rotor leakage reactance

0.41 Ohm (default)

Rotor leakage reactance referred to the stator.

Dependencies

This parameter is visible only if you set the **Parameterization unit** parameter in the **Main** setting to SI.

Magnetizing reactance, X_m — Magnetizing reactance

17 Ohm (default)

Magnetizing reactance.

Dependencies

This parameter is visible only if you set the **Parameterization unit** parameter in the **Main** setting to SI.

Stator zero-sequence reactance, X_0 — Stator zero-sequence reactance

0.4 Ohm (default)

Stator zero-sequence reactance.

Dependencies

This parameter is visible only if you set the **Parameterization unit** parameter in the **Main** setting to SI.

Stator resistance, R_s (pu) — Per-unit stator resistance

0.0258 (default)

Per-unit stator resistance.

Dependencies

This parameter is visible only if you set the **Parameterization unit** parameter in the **Main** setting to Per unit.

Stator leakage inductance, L_{ls} (pu) — Per-unit stator leakage inductance

0.0413 (default)

Per-unit stator leakage inductance.

Dependencies

This parameter is visible only if you set the **Parameterization unit** parameter in the **Main** setting to Per unit.

Referred rotor resistance, R_r' (pu) — Per-unit referred rotor resistance

0.0145 (default)

Per-unit rotor resistance referred to the stator.

Dependencies

This parameter is visible only if you set the **Parameterization unit** parameter in the **Main** setting to Per unit.

Referred rotor leakage inductance, L_{lr}' (pu) – Per-unit referred rotor leakage inductance

0.0424 (default)

Per-unit rotor leakage inductance referred to the stator.

Dependencies

This parameter is visible only if you set the **Parameterization unit** parameter in the **Main** setting to Per unit.

Magnetizing inductance, L_m (pu) – Per-unit magnetizing inductance

1.7562 (default)

Per-unit magnetizing inductance, that is, the peak value of stator-rotor mutual inductance.

Dependencies

This parameter is visible only if you set the **Parameterization unit** parameter in the **Main** setting to Per unit.

Stator zero-sequence inductance, L_0 (pu) – Per-unit stator zero-sequence inductance

0.0413 (default)

Per-unit stator zero-sequence inductance.

Dependencies

This parameter is visible only if, in the **Main** settings, the **Parameterization unit** parameter is set to Per unit and the **Zero sequence** parameter is set to Include.

Saturation

For the **Parameterization unit** parameter in the **Main** settings, select SI to expose SI parameters or Per unit to expose per-unit parameters.

The saturation characteristic is based on the machine being connected in a delta-winding configuration.

Magnetic saturation representation – Magnetic saturation representation

None (default) | Open-circuit lookup table (v versus i)

Block magnetic saturation representation.

Dependencies

If this parameter is set to Open-circuit lookup table (v versus i), related parameters are visible.

No-load line current saturation data, i (rms) — No-load line RMS current saturation data

[0, 4, 9, 18, 25, 34, 50, 68, 95, 120] A (default)

Current i data populates the voltage v versus field current i lookup table. This parameter must contain a vector with at least 10 elements.

Dependencies

This parameter is visible only if the **Magnetic saturation representation** parameter is set to Open-circuit lookup table (v versus i) and, in the **Main** settings, the **Parameterization unit** parameter is set to SI.

Terminal voltage saturation data, v (phase-phase, rms) — Terminal RMS voltage saturation data

[0, 88, 154, 198, 220, 242, 264, 286, 308, 327] V (default)

Terminal voltage v data populates the voltage v versus current i lookup table. This parameter must contain a vector with at least 10 elements. The number of elements must match the number of elements in the vector for the **No-load line current saturation data, i (rms)** parameter.

Dependencies

This parameter is visible only if the **Magnetic saturation representation** parameter is set to Open-circuit lookup table (v versus i) and, in the **Main** settings, the **Parameterization unit** parameter is set to SI.

Per-unit no-load line current saturation data, i — Per-unit no-load line current saturation data

[0, .176, .396, .792, 1.1, 1.496, 2.2, 2.992, 4.18, 5.28] (default)

Current i data populates the voltage v versus field current i lookup table. This parameter must contain a vector with at least 10 elements.

Dependencies

This parameter is visible only if the **Magnetic saturation representation** parameter is set to Open-circuit lookup table (v versus i) and, in the **Main** settings, the **Parameterization unit** parameter is set to Per unit.

Per-unit terminal voltage saturation data, v — Per-unit terminal voltage saturation data

[0, .4, .7, .9, 1, 1.1, 1.2, 1.3, 1.4, 1.4864] (default)

Terminal voltage v data populates the voltage v versus current i lookup table. This parameter must contain a vector with at least 10 elements. The number of elements must match the number of elements in the vector for the **Per-unit no-load line current saturation data, i** parameter.

Dependencies

This parameter is visible only if the **Magnetic saturation representation** parameter is set to Open-circuit lookup table (v versus i) and, in the **Main** settings, the **Parameterization unit** parameter is set to Per unit.

Compatibility Considerations

Saturation characteristic update

Behavior changed in R2020a

From R2020a forward, for the saturation characteristic, the Induction Machine Wound Rotor block takes into account the magnetic flux due to the leakage inductance.

The default values for these parameters have changed:

- **Stator leakage reactance, X_{ls}**
- **Stator zero-sequence reactance, X_0**
- **Stator leakage inductance, L_{ls} (pu)**
- **Stator zero-sequence inductance, L_0 (pu)**
- **Terminal voltage saturation data, v (phase-phase, rms)**
- **Per-unit terminal voltage saturation data, v**

As a result of these changes, inside a model saved in an earlier release, if you have used the Induction Machine Wound Rotor block with saturation enabled, review the saturation data.

References

- [1] Kundur, P. *Power System Stability and Control*. New York, NY: McGraw Hill, 1993.
- [2] Lyshevski, S. E. *Electromechanical Systems, Electric Machines and Applied Mechatronics*. Boca Raton, FL: CRC Press, 1999.
- [3] Ojo, J. O., Consoli, A., and Lipo, T. A., "An improved model of saturated induction machines", *IEEE Transactions on Industry Applications*. Vol. 26, no. 2, pp. 212-221, 1990.

Extended Capabilities

C/C++ Code Generation

Generate C and C++ code using Simulink® Coder™.

See Also

Simscape Blocks

Induction Machine (Single-Phase) | Induction Machine Measurement | Induction Machine Squirrel Cage

Blocks

Induction Machine Current Controller | Induction Machine Direct Torque Control | Induction Machine Direct Torque Control (Single-Phase) | Induction Machine Direct Torque Control with Space Vector Modulator | Induction Machine Field-Oriented Control | Induction Machine Field-Oriented Control (Single-Phase) | Induction Machine Flux Observer | Induction Machine Scalar Control

Topics

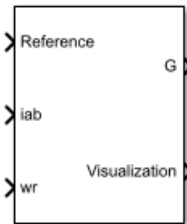
"Perform a Load-Flow Analysis Using Simscape Electrical"
 "Expand and Collapse Three-Phase Ports on a Block"

Introduced in R2013b

Induction Machine Field-Oriented Control (Single-Phase)

Per-unit discrete-time single-phase induction machine field-oriented control

Library: Simscape / Electrical / Control / Induction Machine Control

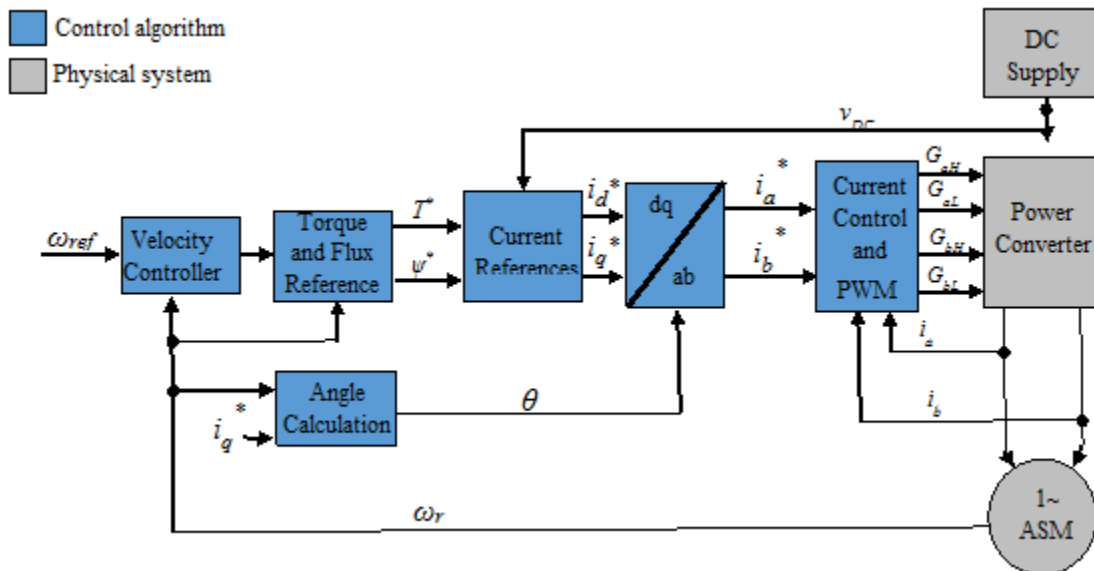


Description

The Induction Machine Field-Oriented Control (Single-Phase) block implements a single-phase induction machine field-oriented control structure.

Equations

The field-oriented control architecture for a single-phase induction machine is:



You can provide the torque reference as an input, or, in the case of speed control, generate the reference internally using a PI speed controller. The torque reference as derived from a PI speed controller is:

$$T^* = (K_{p_\omega} + K_{i_\omega} \frac{T_s z}{z-1})(\omega_{ref} - \omega_r)$$

where ω_r is the rotor angular mechanical speed in rad/s.

The block generates the flux reference as

$$\psi^* = \frac{2\pi f_n \psi_n}{p \min\left(\left|\omega_r\right|, \frac{2\pi f_n}{p}\right)}$$

where:

- p is the number of pole pairs.
- f_n is the rated frequency.
- ψ_n is the rated flux.

Current references are obtained from machine parameters:

$$i_q^* = \frac{(L_{ms} + L_{lar})T^*}{paL_{ms}\psi^*}$$

$$i_d^* = \frac{\psi^*}{a^2L_{ms}}$$

where:

- L_{ms} is the main winding mutual inductance.
- L_{lar} is the main winding rotor leakage inductance.
- a is the auxiliary-to-main windings turn ratio.

The angle is calculated by solving:

$$\frac{d\theta}{dt} = p\omega_r + \frac{a^3L_{ms}R_{ar}}{\psi^*(L_{ms} + L_{lar})}$$

The transformation to the stationary reference frame is done by using:

$$\begin{pmatrix} i_a \\ i_b \end{pmatrix} = \begin{pmatrix} a^2 \sin(\theta) & a^2 \cos(\theta) \\ \cos(\theta) & -\sin(\theta) \end{pmatrix} \begin{pmatrix} i_d \\ i_q \end{pmatrix}$$

Limitations

- The control structure is implemented in a single sample rate.

Ports

Input

Reference — Torque or angular velocity reference

scalar

Specify the angular velocity reference, in rad/s, or the torque reference, in Nm.

Data Types: `single` | `double`

iab — Stator currents

scalar

Stator currents for main and auxiliary windings.

Data Types: `single` | `double`

wr — Rotor angular speed

scalar

Measured rotor angular speed, in rad/s.

Data Types: `single` | `double`

Output

G — Inverter gate pulses

θ | 1

Inverter gate pulses, specified as a Boolean. The dead-time is not considered.

Data Types: `single` | `double`

Visualization — Internal signals for visualization

Reference | Rotor velocity | θ | *iab* | *iabRef* | *TqRef* | *FluxRef*

Bus containing internal signals for visualization. The signals are:

- Reference torque or speed
- Rotor velocity, in rad/s
- θ , in radians
- Stator currents (*iab*), in A
- Stator current reference (*iabRef*), in A
- Torque Reference (*TqRef*), in Nm
- Flux Reference (*FluxRef*), in Wb

Data Types: `single` | `double` | `bus`

Parameters

General

Control mode — Specify control mode

`Speed control` (default) | `Torque control`

Specify the control mode. The reference input is taken as angular speed, in rad/s, for `Speed control` and torque, in Nm for `Torque control`.

Rated electrical frequency (Hz) — Specify rated electrical frequency

60 (default) | positive scalar

Rated electrical frequency, in Hz.

Number of pole pairs — Specify pole pairs

2 (default) | positive scalar

Number of pole pairs.

Main winding rotor resistance, R_{ar}' (Ohm) — Specify main winding rotor resistance
 3.7080 (default) | positive scalar

Main winding rotor resistance, in Ohms.

Main winding rotor leakage inductance, L_{lar}' (H) — Specify main winding rotor leakage inductance
 0.0050 (default) | positive scalar

Main winding rotor leakage inductance, in H.

Main winding mutual inductance, L_{ms} (H) — Specify main winding mutual inductance
 0.1595 (default) | positive scalar

Main winding mutual inductance, in H.

Auxiliary/main windings turn ratio — Specify the auxiliary-to-main windings turn ratio
 1.1 (default) | positive scalar

Auxiliary-to-main windings turns ratio.

Fundamental sample time (s) — Specify the block sample time
 5e-6 (default) | positive scalar

Sample time for the block, in s.

Control sample time (s) — Specify the control sample time
 5e-5 (default) | positive scalar

Control sample time, in s.

Outer Loop

This table shows how the visibility of some parameters in the **Outer Loop** tab depend on the option that you choose for the **Control mode** parameter in the **General** tab.

Control mode	Available Parameters
Speed control	Speed controller proportional gain
	Speed controller integral gain
	Speed controller integral anti-windup gain
	Maximum torque (Nm)
	Minimum torque (Nm)
Torque control	Rated flux (Wb)
	Rated flux (Wb)

Speed controller proportional gain — Specify the speed controller proportional gain
 1 (default) | positive scalar

Proportional gain for the PI speed controller.

Speed controller integral gain — Specify the speed controller integral gain
 10 (default) | positive scalar

Integral gain for the PI speed controller.

Speed controller integral anti-windup gain — Specify the speed controller integral anti-windup gain

1000 (default) | positive scalar

Integral anti-windup gain.

Maximum torque (Nm) — Specify the maximum torque

5 (default) | positive scalar

Maximum torque used in speed controller saturation, in Nm.

Minimum torque (Nm) — Specify the minimum torque

-5 (default) | scalar

Minimum torque used in speed controller saturation, in Nm.

Rated flux (Wb) — Specify the rated flux

0.5 (default) | positive scalar

Rated flux, in Wb. The rated flux is used to compute the flux reference.

Inner Loop

This table shows how the visibility of some parameters in the **Inner Loop** tab depend on the option that you choose for the **Control type** parameter.

Control type	Available Parameters
Hysteresis control	Current hysteresis band (A)
PI control	A-phase current proportional gain
	A-phase current integral gain
	A-phase current anti-windup gain
	B-phase current proportional gain
	B-phase current integral gain
	B-phase current anti-windup gain

Control type — Specify the control type

Hysteresis control (default) | PI control

Control type for current control loop.

Current hysteresis band (A) — Specify the current hysteresis band

0.5 (default) | positive scalar

Current hysteresis band for the controller, in A.

A-phase current proportional gain — Main winding current proportional gain

1 (default) | positive scalar

Proportional gain for the A-phase (main winding) controller current.

A-phase current integral gain – Main winding current integral gain

500 (default)

Integral gain for the A-phase (main winding) controller current.

A-phase current anti-windup gain – Main winding current anti-windup gain

1000 (default)

Anti-windup gain for the A-phase (main winding) controller current.

B-phase current proportional gain – Auxiliary winding current proportional gain

1 (default)

Proportional gain for the B-phase (auxiliary winding) controller current.

B-phase current integral gain – Auxiliary winding current integral gain

500 (default)

Integral gain for the B-phase (auxiliary winding) controller current.

B-phase current anti-windup gain – Auxiliary winding current anti-windup gain

1000 (default)

Anti-windup gain for the B-phase (auxiliary winding) controller current.

References

- [1] Correa, M. B. R., Jacobina, C. B., Lima, A. M. N., Da Silva, E. R. C. "Field Oriented Control of a Single-Phase Induction Motor Drive." *PESC 98 Record. 29th Annual IEEE Power Electronics Specialists Conference*. Vol. 2, 1998, pp. 990 - 996.

Extended Capabilities**C/C++ Code Generation**

Generate C and C++ code using Simulink® Coder™.

See Also**Blocks**

Induction Machine Current Controller | Induction Machine Direct Torque Control | Induction Machine Direct Torque Control (Single-Phase) | Induction Machine Direct Torque Control with Space Vector Modulator | Induction Machine Field-Oriented Control | Induction Machine Flux Observer | Induction Machine Scalar Control

Topics

"Single-Phase Asynchronous Machine Field-Oriented Control"

Introduced in R2018b

Inductor

Inductor including optional tolerance, operational limits and fault behavior

Library: Simscape / Electrical / Passive / Basic



Description

The Inductor block lets you model linear inductors, including the following effects:

- “Tolerances” on page 1-709
- “Operating Limits” on page 1-710
- “Faults” on page 1-710

You can turn these modeling options on and off independently of each other. When all the additional options are turned off, the component behavior is identical to the Simscape Foundation library Inductor block.

In its simplest form, the Inductor block models a linear inductor, described with the following equation:

$$V = L \frac{dI}{dt}$$

where:

- V is voltage.
- L is inductance.
- I is current.
- t is time.

To model a nonlinear inductor, use the Nonlinear Inductor block.

Tolerances

You can apply tolerances to the nominal value you provide for the **Inductance** parameter. Datasheets typically provide a tolerance percentage for a given inductor type. The table shows how the block applies tolerances and calculates inductance based on the selected **Tolerance application** option.

Option	Inductance Value
None – use nominal value	L
Random tolerance	Uniform distribution: $L \cdot (1 - tol + 2 \cdot tol \cdot rand)$ Gaussian distribution: $L \cdot (1 + tol \cdot randn / nSigma)$
Apply maximum tolerance value	$L \cdot (1 + tol)$

Option	Inductance Value
Apply minimum tolerance value	$L \cdot (1 - tol)$

In the table,

- L is the **Inductance** parameter value, nominal inductance.
- tol is fractional tolerance, **Inductance tolerance (%)** /100.
- $nSigma$ is the value you provide for the **Number of standard deviations for quoted tolerance** parameter.
- `rand` and `randn` are standard MATLAB functions for generating uniform and normal distribution random numbers.

Note If you choose the `Random tolerance` option and you are in "Fast Restart" mode, the random tolerance value is updated on every simulation if at least one between the fractional tolerance, tol , or the **Number of standard deviations for quoted tolerance**, $nSigma$, is set to Run-time and is defined with a variable (even if you do not modify that variable).

Operating Limits

Inductors are typically rated with a particular saturation current, and possibly with a maximum allowable power dissipation. You can specify operating limits in terms of these values, to generate warnings or errors if the inductor is driven outside its specification.

When an operating limit is exceeded, the block can either generate a warning or stop the simulation with an error. For more information, see the "Operating Limits" on page 1-712 parameters section.

Faults

Instantaneous changes in inductor parameters are unphysical. Therefore, when the Inductor block enters the faulted state, short-circuit and open-circuit voltages transition to their faulted values over a period of time based on this formula:

$$CurrentValue = FaultedValue - (FaultedValue - UnfaultedValue) \cdot \operatorname{sech}(\Delta t / \tau)$$

where:

- Δt is time since the onset of the fault condition.
- τ is user-defined time constant associated with the fault transition.

For short-circuit faults, the conductance of the short-circuit path also changes according to the $\operatorname{sech}(\Delta t / \tau)$ function from a small value (representing an open-circuit path) to a large value.

The block can trigger the start of fault transition:

- At a specific time
- After voltage exceeds the maximum permissible value a certain number of times
- When current exceeds the maximum permissible value for longer than a specific time interval

You can enable or disable these trigger mechanisms separately, or use them together if more than one trigger mechanism is required in a simulation. When more than one mechanism is enabled, the first

mechanism to trigger the fault transition takes precedence. In other words, a component fails no more than once per simulation.

You can also choose whether to issue an assertion when a fault occurs, by using the **Reporting when a fault occurs** parameter. The assertion can take the form of a warning or an error. By default, the block does not issue an assertion.

Faultable inductors often require that you use the fixed-step local solver rather than the variable-step solver. In particular, if you model transitions to a faulted state that include short circuits, MathWorks recommends that you use the fixed-step local solver. For more information, see “Making Optimal Solver Choices for Physical Simulation”.

Variables

Use the **Variables** section of the block interface to set the priority and initial target values for the block variables prior to simulation. For more information, see “Set Priority and Initial Target for Block Variables”.

The **Inductor current** variable lets you specify a high-priority target for the initial inductor current at the start of simulation.

Ports

Conserving

+ – Positive terminal

electrical

Electrical conserving port associated with the inductor positive terminal.

- – Negative terminal

electrical

Electrical conserving port associated with the inductor negative terminal.

Parameters

Main

Inductance – Nominal inductance value

1e-6 H (default)

The nominal inductance value. Inductance value must be greater than zero.

Tolerance (%) – Inductor tolerance, in percent

20 (default)

The inductor tolerance as defined on the manufacturer datasheet.

Tolerance application – Select how to apply tolerance during simulation

None – use nominal value (default) | Random tolerance | Apply maximum tolerance value | Apply minimum tolerance value

Select how to apply tolerance during simulation:

- **None – use nominal value** — The block does not apply tolerance, it uses the nominal inductance value.
- **Random tolerance** — The block applies random offset to the inductance value, within the tolerance value limit. You can choose Uniform or Gaussian distribution for calculating the random number by using the **Tolerance distribution** parameter.
- **Apply maximum tolerance value** — The inductance is increased by the specified tolerance percent value.
- **Apply minimum tolerance value** — The inductance is decreased by the specified tolerance percent value.

Tolerance distribution — Select the distribution type

Uniform (default) | Gaussian

Select the distribution type for random tolerance:

- **Uniform** — Uniform distribution
- **Gaussian** — Gaussian distribution

DependenciesEnabled when the **Tolerance application** parameter is set to **Random tolerance**.**Number of standard deviations for quoted tolerance — Used for calculating the Gaussian random number**

4 (default)

Number of standard deviations for calculating the Gaussian random number.

DependenciesEnabled when the **Tolerance distribution** parameter is set to **Gaussian**.**Series resistance — Equivalent series resistance of the inductor**

0 Ohm (default)

Equivalent series resistance (ESR) of the inductor, as sometimes specified on manufacturer datasheets. The default value is consistent with the Simscape Foundation library Inductor block. If you model faults, specify a positive value for this parameter.

Parallel conductance — Parallel leakage path associated with the inductor

1e-9 1/Ohm (default)

Parallel leakage path associated with the inductor. Simulation of some circuits may require the presence of a small parallel conductance. You can also use this parameter to model the inductor core losses.

Operating Limits**Enable operating limits — Select Yes to enable reporting when the operational limits are exceeded**

No (default) | Yes

Select **Yes** to enable reporting when the operational limits are exceeded. The associated parameters in the **Operating Limits** section become visible to let you select the reporting method and specify the operating limits in terms of power and current.

Reporting when operating limits exceeded — Select the reporting method

Warn (default) | Error

Select what happens when an operating limit is exceeded:

- Warn — The block issues a warning.
- Error — Simulation stops with an error.

Dependencies

Enabled when the **Enable operating limits** parameter is set to Yes.

Saturation current — Inductor saturation current

1 A (default)

Inductor saturation current, as defined in the manufacturer datasheets. If the current exceeds this value, the core material enters saturation.

Dependencies

Enabled when the **Enable operating limits** parameter is set to Yes.

Power rating — Maximum power dissipation in the inductor

1 W (default)

Maximum instantaneous power dissipation in the resistance and conductance elements associated with the inductor.

Dependencies

Enabled when the **Enable operating limits** parameter is set to Yes.

Faults**Enable faults — Select Yes to enable faults modeling**

No (default) | Yes

Select Yes to enable faults modeling. The associated parameters in the **Faults** section become visible to let you select the reporting method and specify the trigger mechanism (temporal or behavioral). You can enable these trigger mechanisms separately or use them together.

Reporting when a fault occurs — Choose whether to issue an assertion when a fault occurs

None (default) | Warn | Error

Choose whether to issue an assertion when a fault occurs:

- None — The block does not issue an assertion.
- Warn — The block issues a warning.
- Error — Simulation stops with an error.

Dependencies

Enabled when the **Enable faults** parameter is set to Yes.

Location of fault node (% of total turns from - terminal) — Percentage of turns in the subinductor that is in contact with the - port of the block

50 (default)

In practice, faults are enabled by segmenting the inductor into two coupled subinductors, connected in a series. The inductance is proportional to the square of the number of turns in the respective segment, and the series resistance of each subinductor is proportional to the number of turns in each segment. The parallel conductance spans both segments.

This parameter indicates the percentage of turns that are assigned to the subinductor that is in contact with the - port of the block. The remaining turns are assigned to the other subinductor. The default value is 50, which means that the overall inductance is divided into two equal, coupled subinductors.

Dependencies

Enabled when the **Enable faults** parameter is set to Yes.

Faulted coupling factor — Mutual coupling between the two subinductors

0.9999 (default)

The faulted value for the mutual coupling between the two subinductors. The differential equations governing such a construction break down in the limit of perfect coupling, so the coupling should be less than unity. A value of 0 corresponds to no coupling at all between the subinductors. Physically, this corresponds to a fault that affects the flux within the inductor core. This could be a crack in the core material, or windings coming away from the core.

The default value of this parameter is also the internal value the block uses when computing a faultable inductor in the unfaulted state. For an unfaultable inductor, there is only a single equation being solved, and this corresponds to the ideal case of perfect mutual coupling.

Dependencies

Enabled when the **Enable faults** parameter is set to Yes.

Short-circuit turns — Select whether fault results in one of the segments being short-circuited

No (default) | To negative terminal | To positive terminal

Select whether the fault results in one of the subinductor segments being short-circuited:

- No — The fault does not produce a short circuit.
- To negative terminal — The fault short-circuits the subinductor that is in contact with the - port of the block.
- To positive terminal — The fault short-circuits the subinductor that is in contact with the + port of the block.

Dependencies

Enabled when the **Enable faults** parameter is set to Yes.

Open-circuit at fault node — Select whether to apply an open-circuit fault between the segments

No (default) | Yes

Select whether to apply an open-circuit fault between the two subinductor segments. The default is No. Even with an open-circuit fault, the characteristics of the subinductors may still be related, depending on the value of the **Faulted coupling factor** parameter:

- If the coupling factor is not zero, the subinductors are galvanically isolated from each other, but they are still magnetically coupled. Physically, this corresponds to a break in the winding.
- With zero coupling factor, the subinductors are galvanically and magnetically isolated.

Dependencies

Enabled when the **Enable faults** parameter is set to Yes.

Ground fault — Select whether fault results in one of the segments being short-circuited

No (default) | Negative terminal side of fault node | Positive terminal side of fault node

Select whether, in case of fault, there is a path for current to flow towards the ground node:

- No — The fault does not result in a connection to ground.
- Negative terminal side of fault node — The side that is in contact with the - port of the block is connected to ground.
- Positive terminal side of fault node — The side that is in contact with the + port of the block is connected to ground.

If the **Open-circuit at fault node** parameter is set to Yes, you need to specify which side (negative or positive) is connected to ground. If there is no open circuit, the two options behave similarly. Physically, this corresponds to a breakdown in the insulation between the windings and the grounded core or chassis.

Dependencies

Enabled when the **Enable faults** parameter is set to Yes.

Conductance of faulted ground path — Mutual coupling between the two subinductors

1 1/0hm (default)

If there is a ground fault, this parameter represents the conductance of the current path to ground. For example, if the path to ground is through the core material, then specify a small conductance value depending on the core material being used. For highly conductive core material or for chassis-shorts, specify a higher conductance value.

Dependencies

Enabled when the **Ground fault** parameter is set to Negative terminal side of fault node or Positive terminal side of fault node.

Fault transition time constant — Time constant for the transition to faulted state

1e-3 s (default)

Time constant associated with the transition to the faulted state, as described in “Faults” on page 1-713.

Dependencies

Enabled when the **Enable faults** parameter is set to Yes.

Enable temporal fault trigger – Select Yes to enable time-based fault triggering

No (default) | Yes

Select **Yes** to enable time-based fault triggering. You can enable the temporal and behavioral trigger mechanisms separately or use them together.

Dependencies

Enabled when the **Enable faults** parameter is set to Yes.

Simulation time for a fault event – Time before entering faulted state

1 s (default)

Set the simulation time at which you want the block to start entering the fault state.

Dependencies

Enabled when the **Enable temporal fault trigger** parameter is set to Yes.

Enable behavioral fault trigger – Select Yes to enable behavioral fault triggering

No (default) | Yes

Select **Yes** to enable behavioral fault triggering. You can enable the temporal and behavioral trigger mechanisms separately or use them together.

Dependencies

Enabled when the **Enable faults** parameter is set to Yes.

Maximum permissible voltage – Voltage threshold to fault transition

100 V (default)

Define the voltage threshold to a fault transition. If the voltage value exceeds this threshold a certain number of times, specified by the **Number of events to fail when exceeding voltage** parameter value, then the block starts entering the fault state.

Dependencies

Enabled when the **Enable behavioral fault trigger** parameter is set to Yes.

Number of events to fail when exceeding voltage – Maximum number of times the voltage exceeds the threshold

1 (default)

Since the physical mechanism underlying voltage-based failures depends on one or more partial discharge events occurring, this parameter allows you to set the number of voltage overshoots that the inductor can withstand before the fault transition begins. Note that the block does not check the time spent in the overvoltage condition, only the number of transitions.

Dependencies

Enabled when the **Enable behavioral fault trigger** parameter is set to Yes.

Maximum permissible current – Current threshold to fault transition

1 A (default)

Define the current threshold to a fault transition. If the current value exceeds this threshold for longer than the **Time to fail when exceeding current** parameter value, then the block starts entering the fault state.

Dependencies

Enabled when the **Enable behavioral fault trigger** parameter is set to Yes.

Time to fail when exceeding current – Maximum length of time the current exceeds the threshold

1 s (default)

Set the maximum length of time that the current can exceed the maximum permissible value without triggering the fault.

Dependencies

Enabled when the **Enable behavioral fault trigger** parameter is set to Yes.

Extended Capabilities**C/C++ Code Generation**

Generate C and C++ code using Simulink® Coder™.

See Also

Capacitor | Fault | Mutual Inductor | Nonlinear Inductor | Resistor

Topics

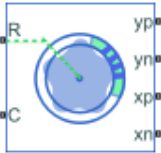
“Buck Converter with Faults”

Introduced in R2016a

Inductive Rotor Position Sensor

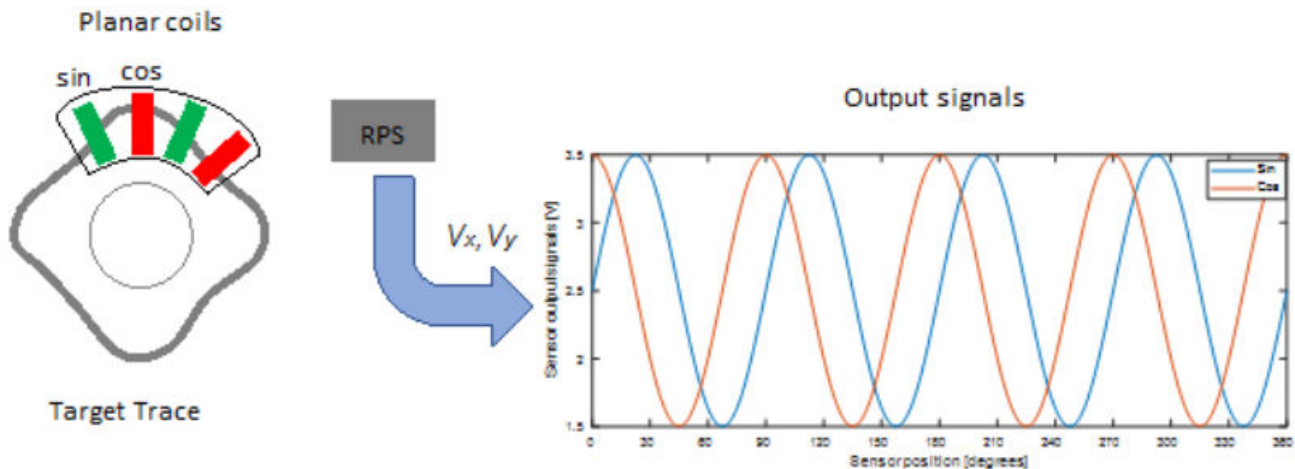
Inductive rotor position sensor with four inductive coils

Library: Simscape / Electrical / Sensors & Transducers



Description

The Inductive Rotor Position Sensor block uses the theory of eddy current losses to obtain the rotor position. It consists of four planar coils and a target trace that detect the rotor position. The target trace is shaped in a sinusoidal way and made from conductive material. The distance between the four planar coils is equivalent to 90 degrees of one cycle.



Equations

The voltages between the elements of the sensor are described by the equations:

$$v_x = V_{x0} + A_x \cos(N\theta) + K \sin(\theta)$$

$$v_y = V_{y0} + A_y \cos(N\theta - \frac{\pi}{2} + \beta) + K \sin(\theta)$$

where:

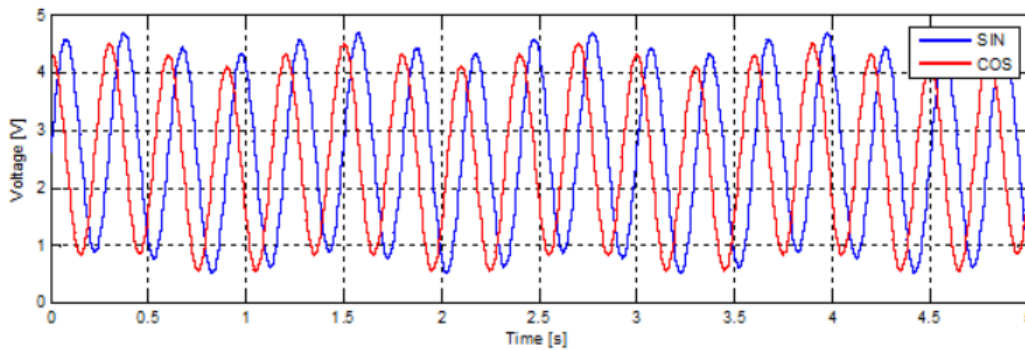
- v_x is the cosine voltage.
- v_y is the sine voltage.
- A_x and A_y are the voltage amplitudes for the x and y axes that reflect the sensitivity mismatch.
- V_{x0} and V_{y0} are the voltage offsets for the x and y axes.

- N is the number of pole pairs.
- θ is the mechanical position.
- β is the quadrature error.
- K is the tumbling factor.

The block uses this equation to decode the angle:

$$\theta_{out} = \arctan\left(\frac{v_y}{v_x}\right).$$

This figure shows the effects of the tumbling factor:



Variables

Use the **Variables** settings to specify the priority and initial target values for the block variables before simulation. For more information, see “Set Priority and Initial Target for Block Variables”.

Ports

Conserving

R — Rotational velocity for sensor positive probe

mechanical rotational

Mechanical rotational conserving port associated with the sensor positive probe.

C — Rotational velocity for the sensor negative probe

mechanical rotational

Mechanical rotational conserving port associated with the sensor negative (reference) probe.

yp — y-axis positive terminal

electrical

Electrical conserving port associated with the y-axis positive terminal.

Dependencies

To enable this port, set **Output interface** to Electrical connections.

yn — y-axis negative terminal

electrical

Electrical conserving port associated with the y-axis negative terminal.

Dependencies

To enable this port, set **Output interface** to Electrical connections.

xp — x-axis positive terminal

electrical

Electrical conserving port associated with the x-axis positive terminal.

Dependencies

To enable this port, set **Output interface** to Electrical connections.

xn — x-axis negative terminal

electrical

Electrical conserving port associated with the x-axis negative terminal.

Dependencies

To enable this port, set **Output interface** to Electrical connections.

Output**Angle — Rotational angle**

physical signal

Rotational angle of the magnetic field in the x-y plane, returned as a physical signal.

Dependencies

To enable this port, set **Output interface** to Decoded angular position.

Parameters**Number of pole pairs — Number of pole pairs**

2 (default) | scalar

Number of pole pairs.

X-axis voltage amplitude — x-axis voltage

2.5 V (default) | scalar

x-axis voltage amplitude.

Y-axis voltage amplitude — y-axis voltage

2.5 V (default) | scalar

y-axis voltage amplitude.

X-axis voltage offset — x-axis voltage offset

0 V (default) | scalar

Potential difference in the electric current flow through the electric conductor in the absence of external magnetic field on the x-axis.

Y-axis voltage offset — y-axis voltage offset 0 V (default) | scalar

Potential difference in the electric current flow through the electric conductor in the absence of external magnetic field on the y-axis.

Quadrature error — Quadrature error 0 deg (default) | scalar

Amount of quadrature error. Quadrature switching can decrease offset errors.

Tumbling coefficient — Tumbling coefficient 0 (default) | scalar

Tumbling coefficient, in degrees.

Output interface — Interface for decoded information

Electrical connections (default) | Decoded angular position

Port interface for the decoded information, specified as either Electrical connections or Decoded angular position.

Extended Capabilities**C/C++ Code Generation**

Generate C and C++ code using Simulink® Coder™.

See Also

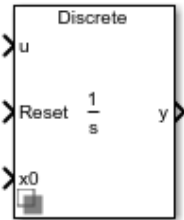
Hall-Effect Rotary Encoder

Introduced in R2020a

Integrator (Discrete or Continuous)

Discrete-time or continuous-time integrator

Library: Simscape / Electrical / Control / General Control



Description

The Integrator (Discrete or Continuous) block implements a simple integrator in conformance with IEEE 421.5-2016^[1].

You can switch between continuous and discrete implementations of the integrator using the **Sample time** parameter.

Equations

Continuous

To configure the integrator for continuous time, set the **Sample time** property to 0. This representation is equivalent to the continuous transfer function:

$$G(s) = \frac{1}{s}.$$

From the preceding transfer function, the integrator defining equations are:

$$\begin{cases} \dot{x}(t) = u(t) \\ y(t) = x(t) \end{cases} \quad x(0) = x_0,$$

where:

- u is the integrator input.
- x is the integrator state.
- y is the integrator output.
- t is the simulation time.
- x_0 is the initial state of the integrator.

Discrete

To configure the integrator for discrete time, set the **Sample time** property to a positive, nonzero value, or to -1 to inherit the sample time from an upstream block. The discrete representation is equivalent to the transfer function:

$$G(z) = \frac{T_s}{z - 1},$$

where T_s is the sample time. From the discrete transfer function, the integrator equations are defined using the forward Euler method:

$$\begin{cases} x(n+1) = x(n) + T_s u(n) \\ y(n) = x(n) \end{cases} \quad x(0) = x_0,$$

where:

- u is the integrator input.
- x is the integrator state.
- y is the integrator output.
- n is the simulation time step.
- x_0 is the initial state of the integrator.

Defining Initial Conditions

You can define the state initial conditions using the input port **x0**. The integrator state reverts to the initial condition any time it is reset.

Limiting the Integral

You can limit the integral output using one of two methods:

- Set **Limit type** to **Anti-windup** to use the anti-windup saturation method.

The anti-windup method limits the integrator state x between the lower saturation limit A and upper saturation limit B :

$$A \leq x \leq B.$$

Because the state is limited, the output can respond immediately to a reversal of the input sign when the integral is saturated.

- Set **Limit type** to **Windup** to use the windup saturation method.

The windup method limits the integrator output y between the lower saturation limit A and upper saturation limit B :

$$A \leq y \leq B.$$

Because the output is limited, the state can continue to grow when the integrator is saturated. As a result, the output cannot respond to a reversal of the input sign until the state has reached the limiting saturation point.

Resetting the State

You can reset the state of the integrator by passing a nonzero signal to the **Reset** port of the block.

Ports

Input

u — Integrator input

vector

Integrator input.

Data Types: `single` | `double`

Reset — Revert to initial state

scalar

Integrator reset. To reset the integrator state to the value of the **x0** port, pass a nonzero value to this port. Alternatively, attach a zero-valued Constant block to this port to override the external reset.

Data Types: `single` | `double`

x0 — Initial state

vector

Integrator initial state. To specify the value of the state after a reset, pass a signal to this port.

Data Types: `single` | `double`

Output

y — Integrator output

vector

Integrator output.

Data Types: `single` | `double`

Parameters

External reset — Reset strategy

`level` (default) | `rising` | `falling` | `either`

Select the external reset strategy for the integrator:

- Select `rising` to reset the state when the reset signal rises from a negative or zero value to a positive value.
- Select `falling` to reset the state when the reset signal falls from a positive value to a zero or negative value.
- Select `either` to reset the state when the reset signal changes from zero to a nonzero value, from a nonzero value to zero, or changes sign.
- Select `level` to reset the state when the reset signal is nonzero at the current time step or changes from nonzero at the previous time step to zero at the current time step.

Limit type — Saturation strategy

`Anti-windup` (default) | `Windup`

Select the limit type of the integrator:

- Select **Anti-windup** to limit the state of the integrator, preventing windup.
- Select **windup** to limit the output of the integrator, allowing windup of the integrator state.

Upper saturation limit – State upper limit

`inf` (default) | real number

Integrator upper saturation limit. Set this to `inf` for an unsaturated upper limit, or to a finite value to saturate the integrator using the strategy set by **Limit type**.

Lower saturation limit – State lower limit

`-inf` (default) | real number

Integrator lower saturation limit. Set this to `-inf` for an unsaturated lower limit, or to a finite value to saturate the integrator using the strategy set by **Limit type**.

Sample time (-1 for inherited) – Block sample time

`-1` (default) | 0 | positive scalar

Time between consecutive block executions. During execution, the block produces outputs and, if appropriate, updates its internal state. For more information, see “What Is Sample Time?” and “Specify Sample Time”.

For inherited discrete-time operation, specify `-1`. For discrete-time operation, specify a positive integer. For continuous-time operation, specify `0`.

If this block is in a masked subsystem, or other variant subsystem that allows you to switch between continuous operation and discrete operation, promote the sample time parameter. Promoting the sample time parameter ensures correct switching between the continuous and discrete implementations of the block. For more information, see “Promote Parameter to Mask”.

References

- [1] *IEEE Recommended Practice for Excitation System Models for Power System Stability Studies*. IEEE Std 421.5-2016. Piscataway, NJ: IEEE-SA, 2016.

Extended Capabilities

C/C++ Code Generation

Generate C and C++ code using Simulink® Coder™.

See Also

Blocks

Filtered Derivative (Discrete or Continuous) | Integrator with Wrapped State (Discrete or Continuous) | Lead-Lag (Discrete or Continuous) | Low-Pass Filter (Discrete or Continuous) | Washout (Discrete or Continuous)

Introduced in R2017b

Integrator with Wrapped State (Discrete or Continuous)

Discrete-time or continuous-time integrator with wrapped state

Library: Simscape / Electrical / Control / General Control



Description

The Integrator with Wrapped State (Discrete or Continuous) block implements a wrapped state integrator in conformance with IEEE 421.5-2016^[1].

Use this block to generate periodic signals such as angles or to represent a voltage-controlled oscillator. You can switch between continuous and discrete implementations of the integrator using the **Sample time** parameter.

Equations

Continuous

To configure the integrator for continuous time, set the **Sample time** property to 0. This representation is equivalent to the continuous transfer function:

$$G(s) = \frac{1}{s}.$$

From the preceding transfer function, the integrator defining equations are:

$$\begin{cases} \dot{x}(t) = u(t) \\ y(t) = x(t) \end{cases} \quad x(0) = x_0,$$

where:

- u is the integrator input.
- x is the integrator state.
- y is the integrator output.
- t is the simulation time.
- x_0 is the initial state of the integrator.

Discrete

To configure the integrator for discrete time, set the **Sample time** property to a positive, nonzero value, or to -1 to inherit the sample time from an upstream block. The discrete representation is equivalent to the transfer function:

$$G(z) = \frac{T_s}{z-1},$$

where T_s is the sample time. From the discrete transfer function, the integrator equations are defined using the forward Euler method:

$$\begin{cases} x(n+1) = x(n) + T_s u(n) \\ y(n) = x(n) \end{cases} \quad x(0) = x_0,$$

where:

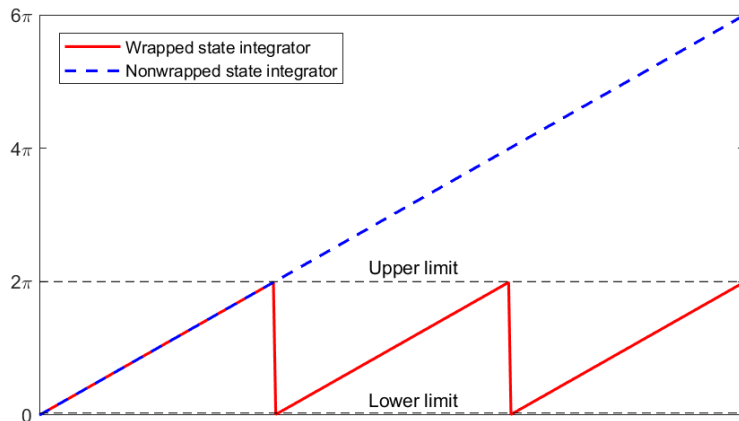
- u is the integrator input.
- x is the integrator state.
- y is the integrator output.
- n is the simulation time step.
- x_0 is the initial state of the integrator.

Defining Initial Conditions

You can define the state initial conditions using **Initial condition** parameter.

Wrapping Cyclic States

The integrator wraps its state between the specified lower and upper values. This diagram shows the outputs of a wrapped and nonwrapped state integrator for a constant input.



In the diagram, the lower and upper limits are 0 and 2π , respectively.

Ports

Input

u – Integrator input

vector

Integrator input.

Data Types: single | double

Output

y – Integrator output

vector

Integrator output.

Data Types: `single` | `double`

Parameters

Wrapped state upper limit – State upper limit

2π (default) | real number

Integrator upper limit.

Wrapped state lower limit – State lower limit

0 (default) | real number

Integrator lower limit.

Initial condition – State initial value

0 (default) | real number

Integrator initial state.

Sample time (-1 for inherited) – Block sample time

-1 (default) | 0 | positive scalar

Time between consecutive block executions. During execution, the block produces outputs and, if appropriate, updates its internal state. For more information, see “What Is Sample Time?” and “Specify Sample Time”.

For inherited discrete-time operation, specify -1. For discrete-time operation, specify a positive integer. For continuous-time operation, specify 0 .

If this block is in a masked subsystem, or other variant subsystem that allows you to switch between continuous operation and discrete operation, promote the sample time parameter. Promoting the sample time parameter ensures correct switching between the continuous and discrete implementations of the block. For more information, see “Promote Parameter to Mask”.

References

- [1] *IEEE Recommended Practice for Excitation System Models for Power System Stability Studies*. IEEE Std 421.5-2016. Piscataway, NJ: IEEE-SA, 2016.

Extended Capabilities

C/C++ Code Generation

Generate C and C++ code using Simulink® Coder™.

See Also

Blocks

Filtered Derivative (Discrete or Continuous) | Integrator (Discrete or Continuous) | Lead-Lag (Discrete or Continuous) | Low-Pass Filter (Discrete or Continuous) | Washout (Discrete or Continuous)

Introduced in R2017b

Inverse Clarke Transform

Implement $\alpha\beta 0$ to abc transform

Library: Simscape / Electrical / Control / Mathematical Transforms

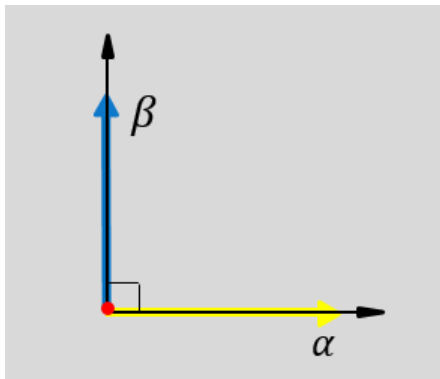


Description

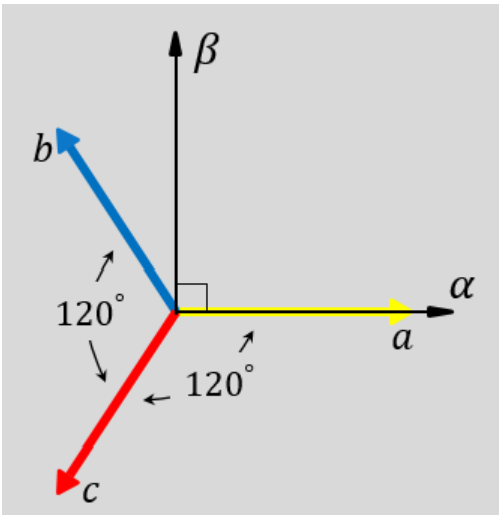
The Inverse Clarke Transform block converts the time-domain alpha, beta, and zero components in a stationary reference frame to three-phase components in an abc reference frame. The block can preserve the active and reactive powers with the powers of the system in the stationary reference frame by implementing an invariant power version of the inverse Clarke transform. If the zero component is zero, the components in the three-phase system are balanced.

The figures show:

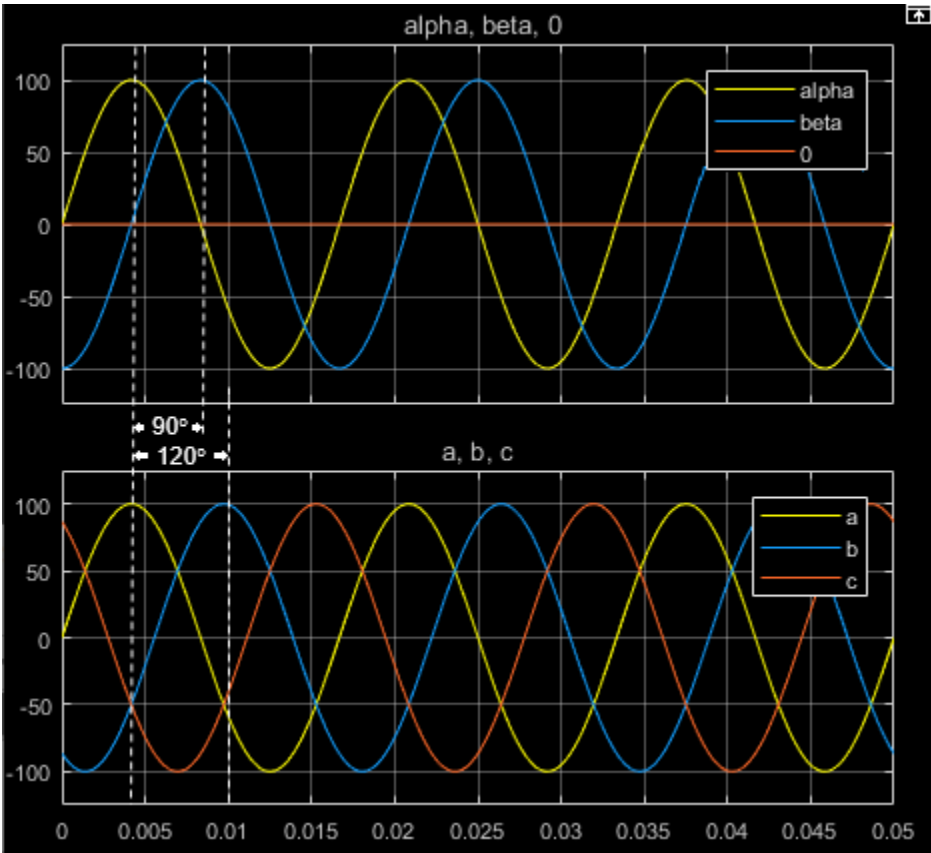
- Balanced α , β , and zero components in a stationary reference frame



- The direction of the magnetic axes of the stator windings in the stationary $\alpha\beta 0$ reference frame and the abc reference frame



- The time-response of the individual components of equivalent balanced $\alpha\beta 0$ and abc systems



Equations

The block implements the inverse Clarke transform as

$$\begin{bmatrix} a \\ b \\ c \end{bmatrix} = \begin{bmatrix} 1 & 0 & 1 \\ -\frac{1}{2} & \frac{\sqrt{3}}{2} & 1 \\ -\frac{1}{2} & -\frac{\sqrt{3}}{2} & 1 \end{bmatrix} \begin{bmatrix} \alpha \\ \beta \\ 0 \end{bmatrix}$$

where:

- α and β are the components in the stationary reference frame.
- 0 is the zero component in the stationary reference frame.
- a , b , and c are the components of the three-phase system in the abc reference frame.

The block implements this power invariant version of the inverse Clarke transform as

$$\begin{bmatrix} a \\ b \\ c \end{bmatrix} = \sqrt{\frac{2}{3}} \begin{bmatrix} 1 & 0 & \frac{1}{\sqrt{2}} \\ -\frac{1}{2} & \frac{\sqrt{3}}{2} & \frac{1}{\sqrt{2}} \\ -\frac{1}{2} & -\frac{\sqrt{3}}{2} & \frac{1}{\sqrt{2}} \end{bmatrix} \begin{bmatrix} \alpha \\ \beta \\ 0 \end{bmatrix}$$

Ports

Input

$\alpha\beta 0$ — α - β axis and zero components

vector

Alpha-axis component α , beta-axis component β , and zero component in the stationary reference frame.

Data Types: single | double

Output

abc — a -, b -, and c -phase components

vector

Components of the three-phase system in the abc reference frame.

Data Types: single | double

Parameters

Power Invariant — Power invariant transform

off (default) | on

Preserve the active and reactive power of the system in the rotating reference frame.

References

- [1] Krause, P., O. Wasynczuk, S. D. Sudhoff, and S. Pekarek. *Analysis of Electric Machinery and Drive Systems*. Piscatawy, NJ: Wiley-IEEE Press, 2013.

Extended Capabilities

C/C++ Code Generation

Generate C and C++ code using Simulink® Coder™.

See Also

Blocks

Clarke Transform | Clarke to Park Angle Transform | Inverse Park Transform | Park Transform | Park to Clarke Angle Transform

Introduced in R2017b

Inverse Park Transform

Implement $dq0$ to abc transform

Library: Simscape / Electrical / Control / Mathematical Transforms

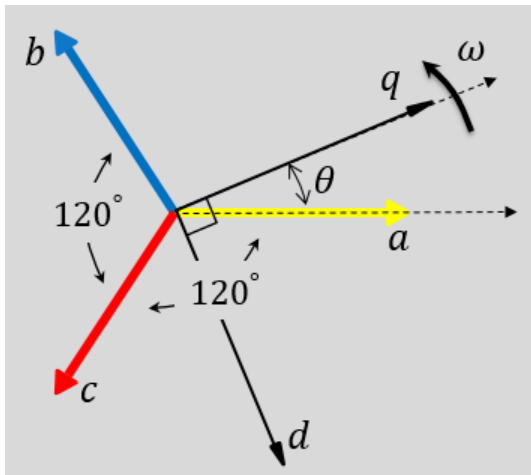


Description

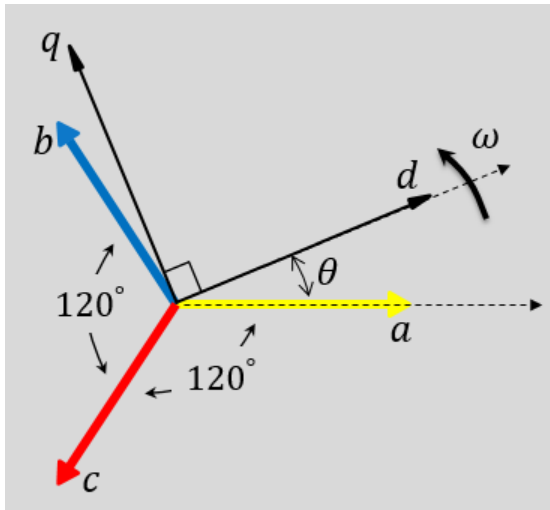
The Inverse Park Transform block converts the time-domain direct, quadrature, and zero components in a rotating reference frame to the components of a three-phase system in an abc reference frame. The block can preserve the active and reactive powers with the powers of the system in the rotating reference frame by implementing an invariant version of the Park transform. For a balanced system, the zero component is equal to zero.

You can configure the block to align the a -axis of the three-phase system to either the d - or q -axis of the rotating reference frame at time, $t = 0$. The figures show the direction of the magnetic axes of the stator windings in an abc reference frame and a rotating d - q reference frame where:

- The a -axis and the q -axis are initially aligned.



- The a -axis and the d -axis are initially aligned.

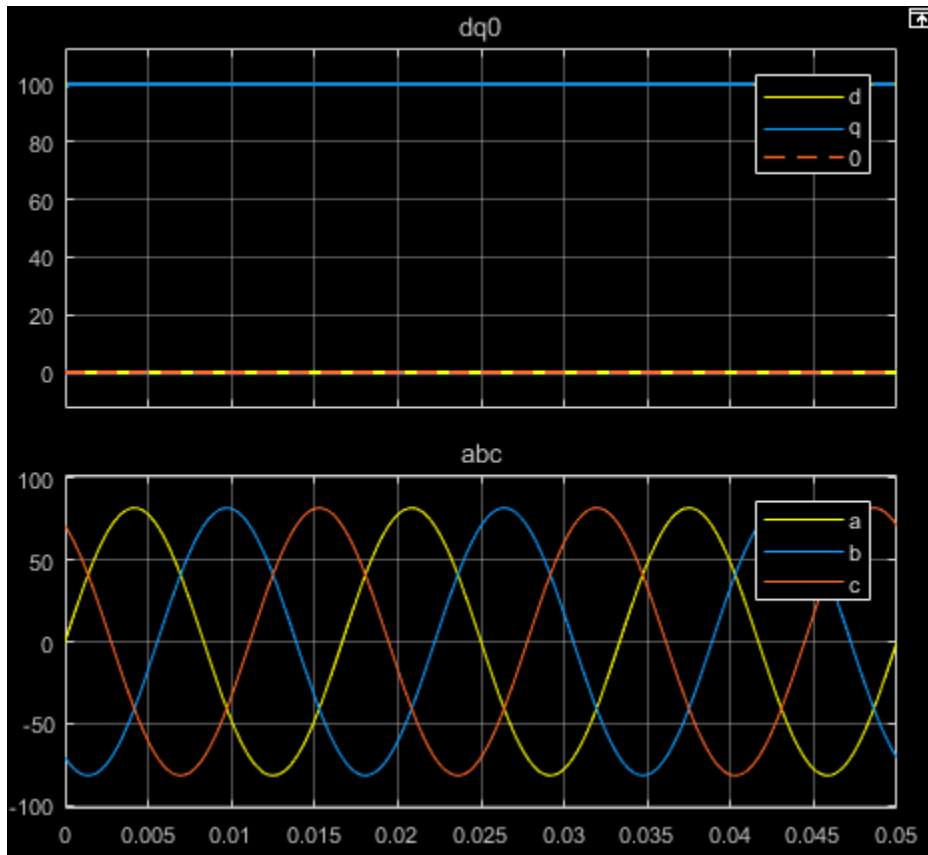


In both cases, the angle $\theta = \omega t$, where

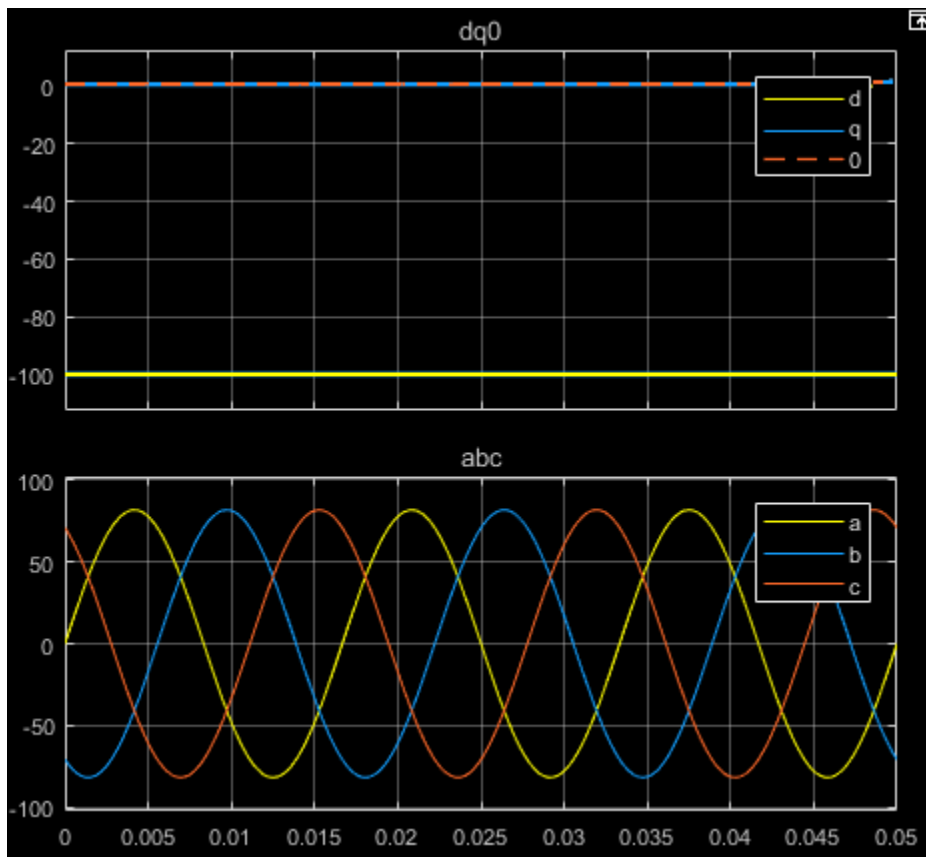
- θ is the angle between the a and q axes for the q -axis alignment or the angle between the a and d axes for the d -axis alignment.
- ω is the rotational speed of the d - q reference frame.
- t is the time, in s, from the initial alignment.

The figures show the time-response of the individual components of equivalent balanced $dq0$ and abc for an:

- Alignment of the a -phase vector to the q -axis



- Alignment of the a -phase vector to the d -axis



Defining Equations

The Inverse Park Transform block implements the transform for an a -phase to q -axis alignment as

$$\begin{bmatrix} a \\ b \\ c \end{bmatrix} = \begin{bmatrix} \sin(\theta) & \cos(\theta) & 1 \\ \sin(\theta - \frac{2\pi}{3}) & \cos(\theta - \frac{2\pi}{3}) & 1 \\ \sin(\theta + \frac{2\pi}{3}) & \cos(\theta + \frac{2\pi}{3}) & 1 \end{bmatrix} \begin{bmatrix} d \\ q \\ 0 \end{bmatrix},$$

where:

- d and q are the components of the two-axis system in the rotating reference frame.
- a , b , and c are the components of the three-phase system in the abc reference frame.
- 0 is the zero component of the two-axis system in the stationary reference frame.

For a power invariant a -phase to q -axis alignment, the block implements the transform using this equation:

$$\begin{bmatrix} a \\ b \\ c \end{bmatrix} = \sqrt{\frac{2}{3}} \begin{bmatrix} \sin(\theta) & \cos(\theta) & \sqrt{\frac{1}{2}} \\ \sin(\theta - \frac{2\pi}{3}) & \cos(\theta - \frac{2\pi}{3}) & \sqrt{\frac{1}{2}} \\ \sin(\theta + \frac{2\pi}{3}) & \cos(\theta + \frac{2\pi}{3}) & \sqrt{\frac{1}{2}} \end{bmatrix} \begin{bmatrix} d \\ q \\ 0 \end{bmatrix}.$$

For an a -phase to d -axis alignment, the block implements the transform using this equation:

$$\begin{bmatrix} a \\ b \\ c \end{bmatrix} = \begin{bmatrix} \cos(\theta) & -\sin(\theta) & 1 \\ \cos(\theta - \frac{2\pi}{3}) & -\sin(\theta - \frac{2\pi}{3}) & 1 \\ \cos(\theta + \frac{2\pi}{3}) & -\sin(\theta + \frac{2\pi}{3}) & 1 \end{bmatrix} \begin{bmatrix} d \\ q \\ 0 \end{bmatrix}.$$

The block implements a power invariant a -phase to d -axis alignment as

$$\begin{bmatrix} a \\ b \\ c \end{bmatrix} = \sqrt{\frac{2}{3}} \begin{bmatrix} \cos(\theta) & -\sin(\theta) & \sqrt{\frac{1}{2}} \\ \cos(\theta - \frac{2\pi}{3}) & -\sin(\theta - \frac{2\pi}{3}) & \sqrt{\frac{1}{2}} \\ \cos(\theta + \frac{2\pi}{3}) & -\sin(\theta + \frac{2\pi}{3}) & \sqrt{\frac{1}{2}} \end{bmatrix} \begin{bmatrix} d \\ q \\ 0 \end{bmatrix}.$$

Ports

Input

dq0 — d - q axis and zero components

vector

Direct-axis and quadrature-axis components and the zero component of the system in the rotating reference frame.

Data Types: single | double

θ_{abc} — Rotational angle

scalar | in radians

Angular position of the rotating reference frame. The value of this parameter is equal to the polar distance from the vector of the a -phase in the abc reference frame to the initially aligned axis of the $dq0$ reference frame.

Data Types: single | double

Output

abc — a -, b -, and c -phase components

vector

Components of the three-phase system in the abc reference frame.

Data Types: single | double

Parameters

Power Invariant — Power invariant transform

off (default) | on

Option to preserve the active and reactive power of the abc reference frame.

Phase-a axis alignment — $dq0$ reference frame alignment

Q-axis (default) | D-axis

Align the a -phase vector of the abc reference frame to the d - or q -axis of the rotating reference frame.

References

- [1] Krause, P., O. Wasynczuk, S. D. Sudhoff, and S. Pekarek. *Analysis of Electric Machinery and Drive Systems*. Piscatawy, NJ: Wiley-IEEE Press, 2013.

Extended Capabilities

C/C++ Code Generation

Generate C and C++ code using Simulink® Coder™.

See Also

Blocks

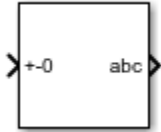
Clarke Transform | Clarke to Park Angle Transform | Inverse Clarke Transform | Park Transform | Park to Clarke Angle Transform

Introduced in R2017b

Inverse Symmetrical-Components Transform

Implement $+0$ to abc transform

Library: Simscape / Electrical / Control / Mathematical Transforms



Description

The Inverse Symmetrical-Components Transform block implements an inverse symmetrical transform of a positive, negative, and zero phasor. The transform splits a symmetrical set of three phasors into the equivalent unbalanced set of a , b , and c phasors.

Use this transform to regenerate a three-phase signal from a system that was decoupled using the Symmetrical-Components Transform block.

Use the **Power invariant** property to choose between the Fortescue transform, and the alternative, power-invariant version.

Equations

The inverse symmetrical-components transform regenerates an unbalanced three-phase signal $[V_a, V_b, V_c]$ from the a components of a balanced set of phasors $[V_{a+}, V_{a-}, V_{a0}]$, given in the $+0$ domain:

$$\begin{bmatrix} V_a \\ V_b \\ V_c \end{bmatrix} = \frac{1}{K} \begin{bmatrix} 1 & 1 & 1 \\ a^2 & a & 1 \\ a & a^2 & 1 \end{bmatrix} \begin{bmatrix} V_{a+} \\ V_{a-} \\ V_{a0} \end{bmatrix}$$

where, a is the complex rotation operator

$$a = e^{2\pi i/3},$$

and K is the constant that determines the type of transform:

$$\begin{cases} K = 1 & \text{Fortescue transform} \\ K = \sqrt{3} & \text{Power-invariant transform} \end{cases}$$

If the transform was performed using the power-invariant option, enable the **Power invariant** property to select the power-invariant inverse transform and regenerate the correct abc signal.

Symmetrical-Components Transform

The symmetrical-components transform separates an unbalanced three-phase signal given in phasor quantities into three balanced sets of phasors:

$$\begin{bmatrix} v_a \\ v_b \\ v_c \end{bmatrix} = \begin{bmatrix} v_{a+} \\ v_{b+} \\ v_{c+} \end{bmatrix} + \begin{bmatrix} v_{a-} \\ v_{b-} \\ v_{c-} \end{bmatrix} + \begin{bmatrix} v_{a0} \\ v_{b0} \\ v_{c0} \end{bmatrix},$$

where:

- v_a , v_b , and v_c make up the original, unbalanced set of phasors.
- v_{a+} , v_{b+} , and v_{c+} make up the balanced, positive set of phasors.
- v_{a-} , v_{b-} , and v_{c-} make up the balanced, negative set of phasors.
- v_{a0} , v_{b0} , and v_{c0} make up the balanced, zero set of phasors.

The symmetrical-components transform calculates the symmetric a -phase as:

$$\begin{bmatrix} V_{a+} \\ V_{a-} \\ V_{a0} \end{bmatrix} = \frac{K}{3} \begin{bmatrix} 1 & a & a^2 \\ 1 & a^2 & a \\ 1 & 1 & 1 \end{bmatrix} \begin{bmatrix} V_a \\ V_b \\ V_c \end{bmatrix}.$$

Because the remaining two sets of symmetrical phasors are not often used in calculation, the transformation only generates the first set. However, you can calculate the b - and c -sets in terms of simple rotations of the first:

$$\begin{bmatrix} V_{b+} \\ V_{b-} \\ V_{b0} \end{bmatrix} = \begin{bmatrix} a^2 & 0 & 0 \\ 0 & a & 0 \\ 0 & 0 & 1 \end{bmatrix} \begin{bmatrix} V_{a+} \\ V_{a-} \\ V_{a0} \end{bmatrix},$$

and

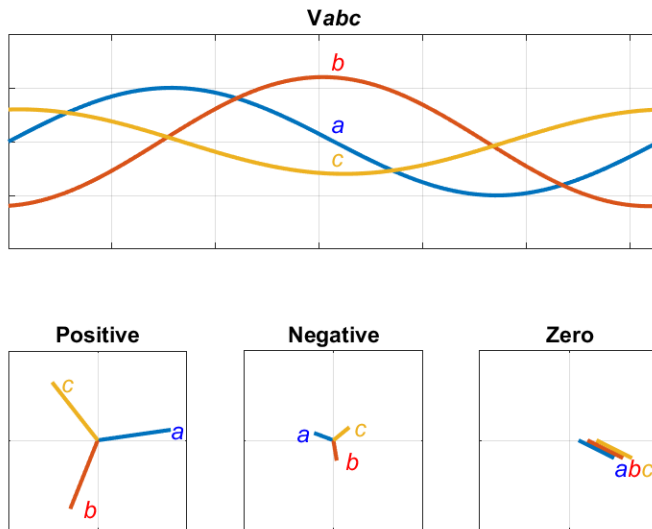
$$\begin{bmatrix} V_{c+} \\ V_{c-} \\ V_{c0} \end{bmatrix} = \begin{bmatrix} a & 0 & 0 \\ 0 & a^2 & 0 \\ 0 & 0 & 1 \end{bmatrix} \begin{bmatrix} V_{a+} \\ V_{a-} \\ V_{a0} \end{bmatrix}.$$

Operating Principle

The three sets of balanced phasors generated by the symmetrical-components transform have the following properties:

- The positive set has the same order as the unbalanced set of phasors a - b - c .
- The negative set has the opposite order as the unbalanced set of phasors a - c - b .
- The zero set has no order because all three phasor angles are equal.

This diagram visualizes the separation performed by the transform.



In the diagram, the top axis shows an unbalanced three-phase signal with components a , b , and c . The bottom set of axes separates the three-phase signal into symmetrical positive, negative, and zero phasors.

Observe that in each case, the a , b , and c components are symmetrical and are separated by:

- +120 degrees for the positive set.
- -120 degrees for the negative set.
- 0 degrees for the zero set.

Ports

Input

+ - 0 — Balanced a phasor components

vector

Positive, negative, and zero a phasors given as a complex signal. Use the rotations given in the Symmetrical-Components Transform section to compute the b and c phasor sets.

Data Types: single | double

Output

abc — a , b , and c phasors

vector

Regenerated three-phase set of unbalanced phasors, output as a complex signal.

Data Types: single | double

Parameters

Power invariant – Transform type

off (default) | on

Power invariant toggle. Select this parameter to use the power-invariant alternative of the original Fortescue transform.

References

[1] Anderson, P. M. *Analysis of Faulted Power Systems*. Hoboken, NJ: Wiley-IEEE Press, 1995.

Extended Capabilities

C/C++ Code Generation

Generate C and C++ code using Simulink® Coder™.

See Also

Blocks

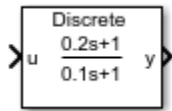
Clarke Transform | Clarke to Park Angle Transform | Inverse Clarke Transform | Inverse Park Transform | Park to Clarke Angle Transform | Symmetrical-Components Transform

Introduced in R2017b

Lead-Lag (Discrete or Continuous)

Discrete-time or continuous-time lead-lag compensator

Library: Simscape / Electrical / Control / General Control



Description

The Lead-Lag (Discrete or Continuous) block implements a lead-lag compensator in conformance with IEEE 421.5-2016^[1].

You can switch between continuous and discrete implementations of the block using the **Sample time** parameter.

Equations

Continuous

To configure the compensator for continuous time, set the **Sample time** property to 0. This representation is equivalent to the continuous transfer function:

$$G(s) = \frac{T_1s + 1}{T_2s + 1},$$

where:

- T_1 is the lead time constant.
- T_2 is the lag time constant.

From the preceding transfer function, the compensator defining equations are:

$$\begin{cases} \dot{x}(t) = \frac{1}{T_2}(u(t) - x(t)) \\ y(t) = \frac{T_1}{T_2}u(t) + \left(1 - \frac{T_1}{T_2}\right)x(t) \end{cases} \quad y(0) = x(0) = u_0,$$

where:

- u is the block input.
- x is the block state.
- y is the block output.
- t is the simulation time.
- u_0 is the initial input to the block.

Discrete

To configure the compensator for discrete time, set the **Sample time** property to a positive, nonzero value, or to -1 to inherit the sample time from an upstream block. The discrete representation is equivalent to the transfer function:

$$\frac{T_1 z + (T_s - T_1)}{T_2 z + (T_s - T_2)}$$

where:

- T_1 is the lead time constant.
- T_2 is the lag time constant.
- T_s is the compensator sample time.

From the discrete transfer function, the compensator equations are defined using the forward Euler method:

$$\begin{cases} x(n+1) = \left(1 - \frac{T_s}{T_2}\right)x(n) + \left(\frac{T_s}{T_2}\right)u(n) \\ y(n) = \left(1 - \frac{T_1}{T_2}\right)x(n) + \left(\frac{T_1}{T_2}\right)u(n) \end{cases} \quad y(0) = x(0) = u_0,$$

where:

- u is the block input.
- x is the state.
- y is the block output.
- n is the simulation time step.
- u_0 is the initial input to the block.

Initial Conditions

To specify the initial conditions of this block, set **Initialization** to:

- **Inherited from block input** — The block sets the state and output initial conditions to the initial input.
- **Specify as parameter** — The block sets the state initial condition to the value of **Initial state**.

Limiting the Integral

Set the **Upper saturation limit** and **Lower saturation limit** parameters to use the anti-windup saturation method.

The anti-windup method limits the compensator state between the lower saturation limit A and upper saturation limit B :

$$A < = x < = B .$$

Because the state is limited, the output can respond immediately to a reversal of the input sign when the integral is saturated.

This block does not provide a windup saturation method. To use the windup saturation method, set the **Upper saturation limit** parameter to `inf`, the **Lower saturation limit** parameter to `-inf`, and attach a Saturation block to the output.

Bypass Compensator Dynamics

Set the lag time constant to zero or to a value equal to that of the lead time constant to ignore the dynamics of the compensator. When bypassed, the block feeds the input directly to the output:

$$\left. \begin{array}{l} T_1 = 0 \\ T_2 = 0 \\ T_1 = T_2 \end{array} \right\} y = u .$$

In the continuous case, both the sample time and at least one time constant must be zero.

Ports

Input

u — Compensator input

vector

Lead-lag compensator input signal. The block uses the input initial value to determine the state initial value.

Data Types: `single` | `double`

Output

y — Compensator output

vector

Lead-lag compensator output.

Data Types: `single` | `double`

Parameters

Lead time constant, T1 — Lead time constant

0.2 (default) | positive number

Compensator lead time constant. To bypass the dynamics of the compensator, set this value to 0 or to the value of the **Lag time constant, T2** parameter.

Lag time constant, T2 — Lag time constant

0.1 (default) | positive number

Compensator lag time constant. To bypass the dynamics of the compensator, set this value to 0 or to the value of the **Lead time constant, T1** parameter.

Upper saturation limit — State upper limit

`inf` (default) | real number

Compensator upper state limit. Set this to `inf` for an unsaturated upper limit, or to a finite value to prevent upper windup of the system's integrator.

Lower saturation limit – State lower limit

`-inf` (default) | real number

Compensator lower state limit. Set this to `-inf` for an unsaturated lower limit, or to a finite value to prevent lower windup of the system's integrator.

Initialization – Initial state specification

Inherited from block input (default) | Specify as parameter

Specify the initial state condition for this block. For more information, see “Initial Conditions” on page 1-745.

Initial state – Initial state

`0` (default) | real number

Block initial state.

Dependencies

To enable this parameter, set **Initialization** to Specify as parameter.

Sample time (-1 for inherited) – Block sample time

`-1` (default) | `0` | positive scalar

Time between consecutive block executions. During execution, the block produces outputs and, if appropriate, updates its internal state. For more information, see “What Is Sample Time?” and “Specify Sample Time”.

For inherited discrete-time operation, specify `-1`. For discrete-time operation, specify a positive integer. For continuous-time operation, specify `0`.

If this block is in a masked subsystem, or other variant subsystem that allows you to switch between continuous operation and discrete operation, promote the sample time parameter. Promoting the sample time parameter ensures correct switching between the continuous and discrete implementations of the block. For more information, see “Promote Parameter to Mask”.

References

- [1] *IEEE Recommended Practice for Excitation System Models for Power System Stability Studies*. IEEE Std 421.5-2016. Piscataway, NJ: IEEE-SA, 2016.

Extended Capabilities

C/C++ Code Generation

Generate C and C++ code using Simulink® Coder™.

See Also

Blocks

Filtered Derivative (Discrete or Continuous) | Integrator (Discrete or Continuous) | Integrator with Wrapped State (Discrete or Continuous) | Low-Pass Filter (Discrete or Continuous) | Washout (Discrete or Continuous)

Introduced in R2017b

Light-Emitting Diode

Exponential light-emitting diode with optical power output port

Library: Simscape / Electrical / Sensors & Transducers



Description

The Light-Emitting Diode block represents a light-emitting diode as an exponential diode in series with a current sensor. The optical power presented at the signal port W is equal to the product of the current flowing through the diode and the **Optical power per unit current** parameter value.

The exponential diode model provides the following relationship between the diode current I and the diode voltage V :

$$I = IS \cdot \left(e^{\frac{qV}{NkT_{m1}}} - 1 \right)$$

where:

- q is the elementary charge on an electron (1.602176e-19 Coulombs).
- k is the Boltzmann constant (1.3806503e-23 J/K).
- N is the emission coefficient.
- IS is the saturation current.
- T_{m1} is the temperature at which the diode parameters are specified, as defined by the **Measurement temperature** parameter value.

When $(qV / NkT_{m1}) > 80$, the block replaces $e^{\frac{qV}{NkT_{m1}}}$ with $(qV / NkT_{m1} - 79)e^{80}$, which matches the gradient of the diode current at $(qV / NkT_{m1}) = 80$ and extrapolates linearly. When $(qV / NkT_{m1}) < -79$, the block replaces $e^{\frac{qV}{NkT_{m1}}}$ with $(qV / NkT_{m1} + 80)e^{-79}$, which also matches the gradient and extrapolates linearly. Typical electrical circuits do not reach these extreme values. The block provides this linear extrapolation to help convergence when solving for the constraints during simulation.

When you select **Use parameters IS and N** for the **Parameterization** parameter, you specify the diode in terms of the **Saturation current IS** and **Emission coefficient N** parameters. When you select **Use I-V curve data points** for the **Parameterization** parameter, you specify two voltage and current measurement points on the diode I-V curve and the block derives the IS and N values. When you specify current and voltage measurements, the block calculates IS and N as follows:

- $N = ((V_1 - V_2)/V_t) / (\log(I_1) - \log(I_2))$
- $IS = (I_1 / (\exp(V_1 / (NV_t)) - 1) + I_2 / (\exp(V_2 / (NV_t)) - 1)) / 2$

where:

- $V_t = kT_{m1} / q$.

- V_1 and V_2 are the values in the **Voltages [V1 V2]** vector.
- I_1 and I_2 are the values in the **Currents [I1 I2]** vector.

The exponential diode model provides the option to include a junction capacitance:

- When you select **Fixed** or **zero** junction capacitance for the **Junction capacitance** parameter, the capacitance is fixed.
- When you select **Use parameters CJO, VJ, M & FC** for the **Junction capacitance** parameter, the block uses the coefficients CJO , VJ , M , and FC to calculate a junction capacitance that depends on the junction voltage.
- When you select **Use C-V curve data points** for the **Junction capacitance** parameter, the block uses three capacitance values on the C-V capacitance curve to estimate CJO , VJ , and M and uses these values with the specified value of FC to calculate a junction capacitance that depends on the junction voltage. The block calculates CJO , VJ , and M as follows:

- $$CJO = C_1((V_{R2} - V_{R1})/(V_{R2} - V_{R1}(C_2/C_1)^{-1/M}))^M$$
- $$VJ = -(-V_{R2}(C_1/C_2)^{-1/M} + V_{R1})/(1 - (C_1/C_2)^{-1/M})$$
- $$M = \log(C_3/C_2)/\log(V_{R2}/V_{R3})$$

where:

- V_{R1} , V_{R2} , and V_{R3} are the values in the **Reverse bias voltages [VR1 VR2 VR3]** vector.
- C_1 , C_2 , and C_3 are the values in the **Corresponding capacitances [C1 C2 C3]** vector.

It is not possible to estimate FC reliably from tabulated data, so you must specify its value using the **Capacitance coefficient FC** parameter. In the absence of suitable data for this parameter, use a typical value of 0.5.

The reverse bias voltages (defined as positive values) should satisfy $V_{R3} > V_{R2} > V_{R1}$. This means that the capacitances should satisfy $C_1 > C_2 > C_3$ as reverse bias widens the depletion region and hence reduces capacitance. Violating these inequalities results in an error. Voltages V_{R2} and V_{R3} should be well away from the Junction potential VJ . Voltage V_{R1} should be less than the Junction potential VJ , with a typical value for V_{R1} being 0.1 V.

The voltage-dependent junction is defined in terms of the capacitor charge storage Q_j as:

- For $V < FC \cdot VJ$:

$$Q_j = CJO \cdot (VJ/(M - 1)) \cdot ((1 - V/VJ)^{1-M} - 1)$$

- For $V \geq FC \cdot VJ$:

$$Q_j = CJO \cdot F_1 + (CJO/F_2) \cdot (F_3 \cdot (V - FC \cdot VJ) + 0.5(M/VJ) \cdot (V^2 - (FC \cdot VJ)^2))$$

where:

- $$F_1 = (VJ/(1 - M)) \cdot (1 - (1 - FC)^{1-M})$$
- $$F_2 = (1 - FC)^{1+M}$$
- $$F_3 = 1 - FC \cdot (1 + M)$$

These equations are the same as used in [2], except that the temperature dependence of VJ and FC is not modeled. This model does not include the diffusion capacitance term that affects performance for high frequency switching applications.

The Light-Emitting Diode block contains several options for modeling the dependence of the diode current-voltage relationship on the temperature during simulation. Temperature dependence of the junction capacitance is not modeled, this being a much smaller effect. For details, see the Diode reference page.

Thermal Port

The block has an optional thermal port, hidden by default. To expose the thermal port, right-click the block in your model, and then from the context menu select **Simscape > Block choices > Show thermal port**. This action displays the thermal port **H** on the block icon, and exposes the **Thermal Port** parameters.

Use the thermal port to simulate the effects of generated heat and device temperature. For more information on using thermal ports and on the **Thermal Port** parameters, see “Simulating Thermal Effects in Semiconductors”.

Variables

Use the **Variables** section of the block interface to set the priority and initial target values for the block variables prior to simulation. For more information, see “Set Priority and Initial Target for Block Variables”.

Assumptions and Limitations

- When you select Use I-V curve data points for the **Parameterization** parameter, choose a pair of voltages near the diode turn-on voltage. Typically this is in the range from 0.05 to 1 Volt. Using values outside of this region may lead to numerical issues and poor estimates for IS and N .
- You may need to use nonzero ohmic resistance and junction capacitance values to prevent numerical simulation issues, but the simulation may run faster with these values set to zero.

Ports

Output

W — Optical output power

physical signal

Physical signal port associated with the optical output power.

Conserving

+ — Positive terminal

electrical

Electrical conserving port associated with the anode.

- — Negative terminal

electrical

Electrical conserving port associated with the cathode.

Parameters

Main

Optical power per unit current — Optical power per unit current

0.005 W/A (default)

Amount of optical power the light-emitting diode generates per unit of current flowing through the diode.

Parameterization — Model parameterization

Use I-V curve data points (default) | Use parameters I_S and N

Select one of the following methods for model parameterization:

- Use I-V curve data points — Specify measured data at two points on the diode I-V curve. This is the default method.
- Use parameters I_S and N — Specify saturation current and emission coefficient.

Currents [I_1 I_2] — Vector of current values at two points

[0.0017 0.003] A (default)

A vector of the current values at the two points on the diode I-V curve that the block uses to calculate I_S and N .

Dependencies

This parameter is visible only when you select Use I-V curve data points for the **Parameterization** parameter.

Voltages [V_1 V_2] — Vector of voltage values at two points

[0.9 1.05] V (default)

A vector of the voltage values at the two points on the diode I-V curve that the block uses to calculate I_S and N .

Dependencies

This parameter is visible only when you select Use I-V curve data points for the **Parameterization** parameter.

Saturation current, I_S — Saturation current

5e-5 A (default)

The magnitude of the current that the ideal diode equation approaches asymptotically for very large reverse bias levels.

Dependencies

This parameter is visible only when you select Use parameters I_S and N for the **Parameterization** parameter.

Emission coefficient, N — Emission coefficient

10 (default)

The diode emission coefficient or ideality factor.

Dependencies

This parameter is visible only when you select Use parameters IS and N for the **Parameterization** parameter.

Ohmic resistance, RS — Series diode connection resistance

0.1 Ohm (default)

The series diode connection resistance.

Measurement temperature — Measurement temperature

25 degC (default)

The temperature at which IS or the I-V curve was measured.

Junction Capacitance**Junction capacitance — Junction capacitance**

Fixed or zero junction capacitance (default) | Use C-V curve data points | Use parameters CJ0, VJ, M & FC

Select one of the following options for modeling the junction capacitance:

- Fixed or zero junction capacitance — Model the junction capacitance as a fixed value.
- Use C-V curve data points — Specify measured data at three points on the diode C-V curve.
- Use parameters CJ0, VJ, M & FC — Specify zero-bias junction capacitance, junction potential, grading coefficient, and forward-bias depletion capacitance coefficient.

Zero-bias junction capacitance, CJ0 — Zero-bias junction capacitance

20 pF (default)

The value of the capacitance placed in parallel with the exponential diode term.

Dependencies

This parameter is visible only when you select Fixed or zero junction capacitance or Use parameters CJ0, VJ, M & FC for the **Junction capacitance** parameter.

Reverse bias voltages [VR1 VR2 VR3] — Reverse bias voltages

[0.1 10 100] V (default)

A vector of the reverse bias voltage values at the three points on the diode C-V curve that the block uses to calculate $CJ0$, VJ , and M .

Dependencies

This parameter is visible only when you select Use C-V curve data points for the **Junction capacitance** parameter.

Corresponding capacitances [C1 C2 C3] — Corresponding capacitances

[15 10 2] pF (default)

A vector of the capacitance values at the three points on the diode C-V curve that the block uses to calculate $CJ0$, VJ , and M .

Dependencies

This parameter is visible only when you select Use C-V curve data points for the **Junction capacitance** parameter.

Junction potential, VJ — Junction potential

1 V (default)

The junction potential. This parameter is only visible when you select Use parameters CJ0, VJ, M & FC for the **Junction capacitance** parameter.

Dependencies

This parameter is visible only when you select Use parameters CJ0, VJ, M & FC for the **Junction capacitance** parameter.

Grading coefficient, M — Grading coefficient

0.5 (default)

The grading coefficient.

Dependencies

This parameter is visible only when you select Use parameters CJ0, VJ, M & FC for the **Junction capacitance** parameter.

Capacitance coefficient, FC — Capacitance coefficient

0.5 (default)

Fitting coefficient that quantifies the decrease of the depletion capacitance with applied voltage.

Dependencies

This parameter is visible only when you select Use C-V curve data points or Use parameters CJ0, VJ, M & FC for the **Junction capacitance** parameter.

Temperature Dependence**Parameterization — Temperature dependence parameterization**

None — Simulate at parameter measurement temperature (default) | Use an I-V data point at second measurement temperature T2 | Specify saturation current at second measurement temperature T2 | Specify the energy gap EG

Select one of the following methods for temperature dependence parameterization:

- None — Simulate at parameter measurement temperature — Temperature dependence is not modeled, or the model is simulated at the measurement temperature T_{m1} (as specified by the **Measurement temperature** parameter on the **Main** tab). This is the default method.
- Use an I-V data point at second measurement temperature T2 — If you select this option, you specify a second measurement temperature T_{m2} , and the current and voltage values at this temperature. The model uses these values, along with the parameter values at the first measurement temperature T_{m1} , to calculate the energy gap value.
- Specify saturation current at second measurement temperature T2 — If you select this option, you specify a second measurement temperature T_{m2} , and saturation current value at this temperature. The model uses these values, along with the parameter values at the first measurement temperature T_{m1} , to calculate the energy gap value.

- Specify the energy gap EG — Specify the energy gap value directly.

Current $I1$ at second measurement temperature — Current $I1$ at second measurement temperature

0.0034 A (default)

Specify the diode current $I1$ value when the voltage is $V1$ at the second measurement temperature.

Dependencies

This parameter is visible only when you select Use an I-V data point at second measurement temperature T2 for the **Parameterization** parameter.

Voltage $V1$ at second measurement temperature — Voltage $V1$ at second measurement temperature

1.05 V (default)

Specify the diode voltage $V1$ value when the current is $I1$ at the second measurement temperature.

Dependencies

This parameter is visible only when you select Use an I-V data point at second measurement temperature T2 for the **Parameterization** parameter.

Saturation current, IS , at second measurement temperature — Saturation current, IS , at second measurement temperature

1.8e-4 A (default)

Specify the saturation current IS value at the second measurement temperature.

Dependencies

This parameter is visible only when you select Specify saturation current at second measurement temperature T2 for the **Parameterization** parameter.

Second measurement temperature — Second measurement temperature

125 degC (default)

Specify the value for the second measurement temperature.

Dependencies

This parameter is visible only when you select Use an I-V data point at second measurement temperature T2 or Specify saturation current at second measurement temperature T2 for the **Parameterization** parameter.

Energy gap parameterization — Energy gap parameterization

Use nominal value for silicon ($EG=1.11\text{eV}$) (default) | Use nominal value for 4H-SiC silicon carbide ($EG=3.23\text{eV}$) | Use nominal value for 6H-SiC silicon carbide ($EG=3.00\text{eV}$) | Use nominal value for germanium ($EG=0.67\text{eV}$) | Use nominal value for gallium arsenide ($EG=1.43\text{eV}$) | Use nominal value for selenium ($EG=1.74\text{eV}$) | Use nominal value for Schottky barrier diodes ($EG=0.69\text{eV}$) | Specify a custom value

Select a value for the energy gap from a list of predetermined options, or specify a custom value:

- Use nominal value for silicon (EG=1.11eV) — This is the default.
- Use nominal value for 4H-SiC silicon carbide (EG=3.23eV)
- Use nominal value for 6H-SiC silicon carbide (EG=3.00eV)
- Use nominal value for germanium (EG=0.67eV)
- Use nominal value for gallium arsenide (EG=1.43eV)
- Use nominal value for selenium (EG=1.74eV)
- Use nominal value for Schottky barrier diodes (EG=0.69eV)
- Specify a custom value — If you select this option, the **Energy gap, EG** parameter appears in the dialog box, to let you specify a custom value for *EG*.

Dependencies

This parameter is visible only when you select Specify the energy gap EG for the **Parameterization** parameter.

Energy gap, EG — Energy gap

1.11 eV (default)

Specify a custom value for the energy gap, *EG*.

Dependencies

This parameter is visible only when you select Specify a custom value for the **Energy gap parameterization** parameter.

Saturation current temperature exponent parameterization — Saturation current temperature exponent parameterization

Use nominal value for pn-junction diode (XTI=3) (default) | Use nominal value for Schottky barrier diode (XTI=2) | Specify a custom value

Select one of the following options to specify the saturation current temperature exponent value:

- Use nominal value for pn-junction diode (XTI=3) — This is the default.
- Use nominal value for Schottky barrier diode (XTI=2)
- Specify a custom value — If you select this option, the **Saturation current temperature exponent, XTI** parameter appears in the dialog box, to let you specify a custom value for *XTI*.

Saturation current temperature exponent, XTI — Saturation current temperature exponent

3 (default)

Specify a custom value for the saturation current temperature exponent, *XTI*.

Dependencies

This parameter is visible only when you select Specify a custom value for the **Saturation current temperature exponent parameterization** parameter.

Device simulation temperature — Device simulation temperature

25 degC (default)

Specify the value for the temperature T_s , at which the device is to be simulated.

References

- [1] H. Ahmed and P.J. Spreadbury. *Analogue and digital electronics for engineers*. 2nd Edition, Cambridge University Press, 1984.
- [2] G. Massobrio and P. Antognetti. *Semiconductor Device Modeling with SPICE*. 2nd Edition, McGraw-Hill, 1993.

Extended Capabilities

C/C++ Code Generation

Generate C and C++ code using Simulink® Coder™.

See Also

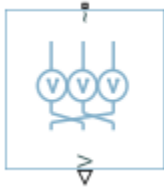
Diode | Optocoupler | Photodiode

Introduced in R2008a

Line Voltage Sensor (Three-Phase)

Ideal three-phase line voltage measurement

Library: Simscape / Electrical / Sensors & Transducers



Description

The Line Voltage Sensor (Three-Phase) block represents an ideal three-phase line voltage sensor. The block measures the line-line voltages of a three-phase system and outputs a three-element physical signal vector. Each element of the physical signal output vector is proportional to the voltage between the phases as follows:

- Element 1: $V_{ab} = V_a - V_b$
- Element 2: $V_{bc} = V_b - V_c$
- Element 3: $V_{ca} = V_c - V_a$

where V_a , V_b , and V_c are the absolute a -, b -, and c -phase voltages.

Note You must connect the Line Voltage Sensor (Three-Phase) block in shunt with the three-phase element. For more information on how to use this block, see “Build and Simulate Composite and Expanded Three-Phase Models”.

Ports

Output

V — Three-elements vector

physical signal

Three-element physical signal vector output port associated with the voltages between the phases

Conserving

~1 — Three-phase port

electrical

Expandable three-phase port.

Extended Capabilities

C/C++ Code Generation

Generate C and C++ code using Simulink® Coder™.

See Also

Phase Voltage Sensor (Three-Phase)

Topics

“Build and Simulate Composite and Expanded Three-Phase Models”

“Expand and Collapse Three-Phase Ports on a Block”

Introduced in R2013b

Load Flow Source

Three-phase voltage source for performing load flow analysis

Library: Simscape / Electrical / Sources



Description

The Load Flow Source block is a three-phase voltage source that you use for a load-flow analysis. This block is only for three-phase Simscape networks that are compatible with frequency-time simulation mode.

The block can be used with the Busbar block to implement a swing bus, PV bus, or PQ bus. The type of bus is selected from the **Source type** drop-down menu parameter. See “Perform a Load-Flow Analysis Using Simscape Electrical” for more information about load flow in Simscape Electrical.

When you select **None** for the **Source impedance** parameter, the Load Flow Source block models an ideal three-phase voltage source that maintains sinusoidal voltage of the specified magnitude across its terminals, independently of the current flowing through the source.

The source has a wye configuration, and port **n** provides a connection to the center of the wye. Port **~** is a three-phase port that represents the phases *a*, *b*, and *c*. The current is positive if it flows from positive to the center of the wye, and the voltage across each phase is equal to the difference between the voltage at the positive terminal and the center of the wye, $V(+)-V_n$.

Variables

Use the **Variables** settings to specify the priority and initial target values for the block variables before simulation. For more information, see “Set Priority and Initial Target for Block Variables”.

Limitations

- If you do not initialize or simulate by using frequency-time equations, the **Source type** parameter must be set to **Voltage source with series impedance**.
- When initializing the block when **Source type** is set to swing bus, PV bus or PQ bus, including the internal impedance can result in initialization convergence issues. Resolve the convergence issues by using the **Internal source phase search range** parameter, omitting the impedance, or modelling the impedance external to the Load Flow Source block.

Ports

Conserving

~ — Three-phase voltage
electrical

Three-phase port associated with the voltage phases *a*, *b*, and *c*.

n – Wye center

electrical

Electrical conserving port associated with the center of the wye.

Parameters

Main

Source type – Voltage source model

Swing bus (default) | Voltage source with series impedance | PV bus | PQ bus

Type of voltage source that the block models.

Dependencies

The visibility of **Source voltage (pu)**, **Terminal voltage (pu)**, **Active power generated**, **Active power consumed**, **Reactive power consumed**, **Source phase**, **Minimum voltage (pu)** and **Internal source phase search range** depend on the value that you choose for this parameter.

Source voltage (pu) – Source voltage

1 (default) | scalar

Per-unit voltage that the source generates.

Dependencies

This parameter is visible only when you set the **Source type** parameter to **Voltage source with series impedance**.

Terminal voltage (pu) – Terminal voltage

1 (default) | scalar

Per-unit terminal voltage that the source generates.

Dependencies

This parameter is visible only if you set the **Source type** parameter to **Swing bus** or **PV bus**.

Active power generated – Active power generated

0 W (default) | scalar

Active power that the source generates.

Dependencies

This parameter is visible only if you set the **Source type** parameter to **PV bus**.

Active power consumed – Active power consumed

0 W (default)

Active power that the source consumes.

Dependencies

This parameter is visible only if you set the **Source type** parameter to **PQ bus**.

Reactive power consumed — Reactive power consumed $0 \text{ V}\cdot\text{A}$ (default)

Reactive power that the source consumes.

Dependencies

This parameter is visible only if you set the **Source type** parameter to PQ bus.

Rated voltage (phase-to-phase RMS) — Rated phase-to-phase RMS voltage $\text{sqrt}(3) * 100 / \text{sqrt}(2) \text{ V}$ (default) | scalar

Rated phase-to-phase root mean square (RMS) voltage.

Rated frequency — Rated frequency 60 Hz (default) | scalar

Rated frequency, in Hz.

Source phase — Source phase 0 deg (default) | scalar

Phase shift of the source.

Dependencies

This parameter is visible only if you set the **Source type** parameter to Voltage source with series impedance.

Impedance**Source impedance — Source impedance method**

None (default) | X/R Ratio | Series R | Series L | Series RL

Type of source impedance. Selecting any other options enables other parameters. The options are:

- None
- X/R Ratio
- Series R
- Series L
- Series RL

Dependencies

The visibility of **Short-circuit power level**, **Source X/R ratio**, **Source impedance parasitic parallel conductance**, **Source resistance**, and **Source inductance** depend on the value that you choose for this parameter.

Short-circuit power level — Short-circuit power level $1\text{e}6 \text{ V}\cdot\text{A}$ (default) | scalar

Short-circuit power level.

Dependencies

This parameter is visible only if you set the **Source impedance** parameter to X/R ratio.

Source X/R ratio — Reactance-to-resistance ratio

15 (default) | scalar

Reactance-to-resistance ratio.

DependenciesThis parameter is visible only if you set the **Source impedance** parameter to X/R ratio.**Source impedance parasitic parallel conductance — Source impedance parasitic parallel conductance**

0 1/0hm (default) | scalar

Source impedance parasitic parallel conductance.

DependenciesThis parameter is visible only if you set the **Source impedance** parameter to X/R ratio or Series L or Series RL.**Source resistance — Source resistance**

0.01 Ohm (default) | scalar

Source resistance.

DependenciesThis parameter is visible only if you set the **Source impedance** parameter to Series R or Series RL.**Source inductance — Source inductance**

3.97e-4 H (default) | scalar

Source inductance.

DependenciesThis parameter is visible only if you set the **Source impedance** parameter to Series L or Series RL.**Expected Ranges****Minimum voltage (pu) — Minimum voltage**

0.95 (default) | scalar

Per-unit minimum voltage. This parameter assists with the initial solve in models with non-physical, very low voltages.

DependenciesThis parameter is visible only if you set the **Source type** parameter in the **Main** setting to Swing bus, PV bus or PQ bus.**Internal source phase search range — Phase search range**

[-inf, inf] deg (default) | vector

Vector of the lower and upper boundaries for the internal source phase search. Use this range to help the initial solve converge to the desired load flow solution.

Dependencies

This parameter is visible only if, in the **Main** setting, you set the **Source type** parameter to PV bus or PQ bus.

Extended Capabilities

C/C++ Code Generation

Generate C and C++ code using Simulink® Coder™.

See Also

Busbar | **Load-Flow Analysis**

Topics

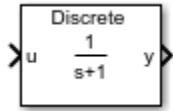
“Perform a Load-Flow Analysis Using Simscape Electrical”

Introduced in R2019b

Low-Pass Filter (Discrete or Continuous)

Discrete-time or continuous-time low-pass filter

Library: Simscape / Electrical / Control / General Control



Description

The Low-Pass Filter (Discrete or Continuous) block implements a low-pass filter in conformance with IEEE 421.5-2016^[1]. In the standard, the filter is referred to as a Simple Time Constant.

You can switch between continuous and discrete implementations of the integrator using the **Sample time** parameter.

Equations

Continuous

To configure the filter for continuous time, set the **Sample time** property to 0. This representation is equivalent to the continuous transfer function:

$$G(s) = \frac{K}{Ts + 1},$$

where:

- K is the filter gain.
- T is the filter time constant.

From the preceding transfer function, the filter defining equations are:

$$\begin{cases} \dot{x}(t) = \frac{1}{T}(Ku(t) - x(t)) \\ y(t) = x(t) \end{cases} \quad y(0) = x(0) = Ku_0,$$

where:

- u is filter input.
- x is filter state.
- y is filter output.
- t is simulation time.
- u_0 is the initial input to the block.

Discrete

To configure the filter for discrete time, set the **Sample time** property to a positive, nonzero value, or to -1 to inherit the sample time from an upstream block. The discrete representation is equivalent to the transfer function:

$$G(z) = K \frac{(T_s/T)z^{-1}}{1 + (T_s/T - 1)z^{-1}},$$

where:

- K is the filter gain.
- T is the filter time constant.
- T_s is the filter sample time.

From the discrete transfer function, the filter equations are defined using the forward Euler method:

$$\begin{cases} x(n+1) = \left(1 - \frac{T_s}{T}\right)x(n) + K\left(\frac{T_s}{T}\right)u(n) \\ y(n) = x(n) \end{cases} \quad y(0) = x(0) = Ku_0,$$

where:

- u is the filter input.
- x is the filter state.
- y is the filter output.
- n is the simulation time step.
- u_0 is the initial input to the block.

Initial Conditions

To specify the initial conditions of this block, set **Initialization** to:

- **Inherited from block input** — The block sets the state and output initial conditions to the initial input.
- **Specify as parameter** — The block sets the state initial condition to the value of **Initial state**.

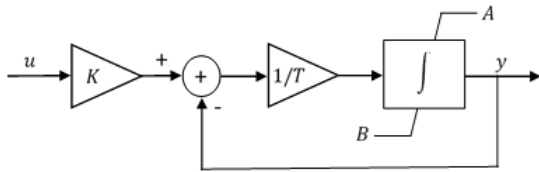
Limiting the Integral

Set the **Upper saturation limit** and **Lower saturation limit** parameters to use the anti-windup saturation method.

The anti-windup method limits the integrator state between the lower saturation limit A and upper saturation limit B :

$$A < = x < = B .$$

Because the state is limited, the output can respond immediately to a reversal of the input sign when the integral is saturated. This block diagram depicts the implementation of the anti-windup saturation method in the filter.



This block does not provide a windup saturation method. To use the windup saturation method, set the **Upper saturation limit** parameter to `inf`, the **Lower saturation limit** parameter to `-inf`, and attach a saturation block to the output.

Bypass Filter Dynamics

Set the time constant to a value smaller than or equal to the sample time to ignore the dynamics of the filter. When bypassed, the block feeds the gain-scaled input directly to the output:

$$T \leq T_s \rightarrow y = Ku$$

In the continuous case, the sample time and time constant must both be zero.

Ports

Input

u – Filter input

vector

Low-pass filter input signal. The block uses the input initial value to determine the state initial value.

Data Types: `single` | `double`

Output

y – Filter output

vector

Low-pass filter output.

Data Types: `single` | `double`

Parameters

Gain – Filter gain

1 (default) | positive number

Low-pass filter gain.

Time constant – Filter time constant

1 (default) | positive number

Low-pass filter time constant. In the discrete implementation, set this value to less than the **Sample time** to bypass the dynamics of the filter.

Upper saturation limit – State upper limit

`inf` (default) | real number

Low-pass filter upper state limit. Set this to `inf` for an unsaturated upper limit, or to a finite value to prevent upper windup of the filter's integrator.

Lower saturation limit — State lower limit

`-inf` (default) | real number

Low-pass filter lower state limit. Set this to `-inf` for an unsaturated lower limit, or to a finite value to prevent lower windup of the filter's integrator.

Initialization — Initial state specification

Inherited from block input (default) | Specify as parameter

Specify the initial state condition for this block. For more information, see “Initial Conditions” on page 1-766.

Initial state — Initial state

`0` (default) | real number

Block initial state.

Dependencies

To enable this parameter, set **Initialization** to Specify as parameter.

Sample time (-1 for inherited) — Block sample time

`-1` (default) | `0` | positive scalar

Time between consecutive block executions. During execution, the block produces outputs and, if appropriate, updates its internal state. For more information, see “What Is Sample Time?” and “Specify Sample Time”.

For inherited discrete-time operation, specify `-1`. For discrete-time operation, specify a positive integer. For continuous-time operation, specify `0`.

If this block is in a masked subsystem, or other variant subsystem that allows you to switch between continuous operation and discrete operation, promote the sample time parameter. Promoting the sample time parameter ensures correct switching between the continuous and discrete implementations of the block. For more information, see “Promote Parameter to Mask”.

References

- [1] *IEEE Recommended Practice for Excitation System Models for Power System Stability Studies*. IEEE Std 421.5-2016. Piscataway, NJ: IEEE-SA, 2016.

Extended Capabilities**C/C++ Code Generation**

Generate C and C++ code using Simulink® Coder™.

See Also

Blocks

Filtered Derivative (Discrete or Continuous) | Integrator (Discrete or Continuous) | Integrator with Wrapped State (Discrete or Continuous) | Lead-Lag (Discrete or Continuous) | Washout (Discrete or Continuous)

Introduced in R2017b

Luenberger Observer

Discrete-time Luenberger observer

Library: Simscape / Electrical / Control / Observers



Description

The Luenberger Observer block implements a discrete time Luenberger observer. Use this block to estimate the states of an observable system using:

- The discrete inputs and outputs of the system.
- A discrete state-space representation of the system.

The Luenberger Observer is also sometimes referred to as a state observer or simply an observer.

You can control multi-input, multi-output systems by passing the output state vector of this block to a State Feedback Controller block.

Defining Equations

The block implements a discrete time Luenberger Observer using the backward Euler method due to its simplicity and stability.

The estimator is given by this difference equation:

$$\hat{x}(k+1) = A_d \hat{x}(k) + B_d u(k) + L_d (y(k) - \hat{y}(k)),$$

where:

- $\hat{x}(k)$ is the k^{th} estimated state vector.
- $\hat{y}(k)$ is the k^{th} estimated output vector.
- $u(k)$ is the k^{th} input vector.
- $y(k)$ is the k^{th} measured output vector.
- A_d is the discretized state matrix.
- B_d is the discretized input matrix.
- L_d is the discretized observer gain matrix.

The dynamics of the estimation error are described by:

$$e(k+1) = (A_d - L_d C_d) e(k),$$

where:

- $e(k)$ is the k^{th} error vector.

- C_d is the output matrix.

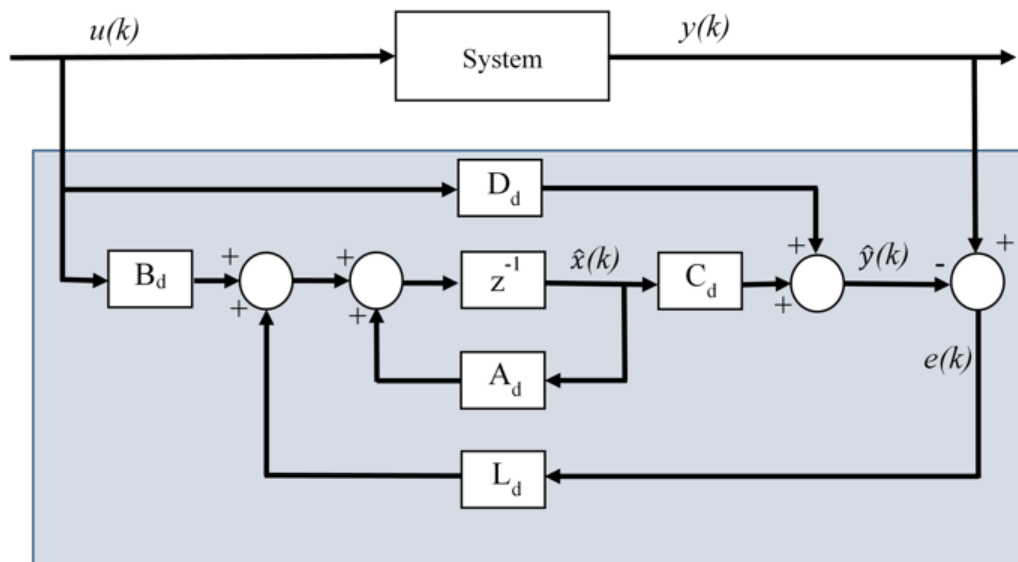
The estimation error converges to zero when $A_d - L_d C_d$ has its eigenvalues inside the unit circle. Therefore, the value of L_d should be such that this goal is achieved. The block computes the observer gain by solving

$$L_d^T = GX^{-1},$$

where G is an arbitrary matrix and X is obtained by solving the Sylvester equation:

$$A_d^T X - X \Lambda = C_d^T G.$$

Here, Λ is a matrix with the desired eigenvalues, which are not the same as the eigenvalues of A_d . This diagram shows the basic structure of a discrete time Luenberger Observer.



Assumptions

The system is observable, which is true if the state of the system can be determined from the input and output in a finite time. Mathematically, this means that the system observability matrix has full rank.

Limitations

The desired eigenvalues are not the same as the eigenvalues of the open-loop model.

Ports

Input

u – Control input

vector

Input signal to the system whose state we want to estimate, specified as a vector.

Data Types: `single` | `double`

y — System output

vector

Measured output of the system whose state we want to estimate, specified as a vector.

Data Types: `single` | `double`

Output

xhat — State estimate

vector

Estimate of the state of the system, specified as a vector.

Data Types: `single` | `double`

Parameters

State-space parameterization — State-space parameterization

`Discrete-time` (default) | `Continuous-time`

Select the strategy for parameterizing the state-space matrices and desired poles for the observer. The block implementation is discrete regardless of this parameterization.

Discrete A matrix — A matrix in discrete time

1 (default) | real scalar or matrix

State matrix of the discrete-time state-space model. The A matrix must be square, with the number of rows and columns equal to the order of the system.

Dependencies

To enable this parameter, set **State-space parameterization** to `Discrete-time`.

Discrete B matrix — B matrix in discrete time

1 (default) | real scalar or matrix

Input matrix of the discrete-time state-space model. The B matrix must have the number of rows equal to the order of the system, and the number of columns equal to the number of system inputs.

Dependencies

To enable this parameter, set **State-space parameterization** to `Discrete-time`.

Discrete C matrix — C matrix in discrete time

1 (default) | real scalar or matrix

Output matrix of the discrete-time state-space model. The C matrix must have the number of rows equal to the number of outputs of the system, and the number of columns equal to the order of the system.

Dependencies

To enable this parameter, set **State-space parameterization** to `Discrete-time`.

Discrete D matrix — D matrix in discrete time

1 (default) | real scalar or matrix

Feedthrough matrix of the discrete-time state-space model. The D matrix must have the number of rows equal to the number of system outputs, and the number of columns equal to the number of system inputs.

Dependencies

To enable this parameter, set **State-space parameterization** to Discrete-time.

Continuous A matrix — A matrix in continuous time

1 (default) | real scalar or matrix

State matrix of the continuous-time state-space model. The A matrix must be square, with the number of rows and columns equal to the order of the system.

Dependencies

To enable this parameter, set **State-space parameterization** to Continuous-time.

Continuous B matrix — B matrix in continuous time

1 (default) | real scalar or matrix

Input matrix of the continuous-time state-space model. The B matrix must have the number of rows equal to the order of the system, and the number of columns equal to the number of system inputs.

Dependencies

To enable this parameter, set **State-space parameterization** to Continuous-time.

Continuous C matrix — C matrix in continuous time

1 (default) | real scalar or matrix

Output matrix of the continuous-time state-space model. The C matrix must have the number of rows equal the number of outputs of the system, and the number of columns equal to the order of the system.

Dependencies

To enable this parameter, set **State-space parameterization** to Continuous-time.

Continuous D matrix — D matrix in continuous time

1 (default) | real scalar or matrix

Feedthrough matrix of the continuous-time state-space model. The D matrix must have the number of rows equal to the number of system outputs, and the number of columns equal to the number of system inputs.

Dependencies

To enable this parameter, set **State-space parameterization** to Continuous-time.

Observer design — State-space parameterization

Desired eigenvalues (default) | Observer gain

Select the strategy for parameterizing observer gain.

Dependencies

To enable this parameter, set **State-space parameterization** to Discrete-time.

Observer gain — Observer gain

1 (default) | real scalar or matrix

Specify the observer gain that puts all eigenvalues of the matrix $A_d - L_d C_d$ inside the unit circle. The gain matrix must have the number of rows equal to number of system inputs and the number of columns equal to the order of the system.

Dependencies

To enable this parameter, set:

- **State-space parameterization** to Discrete-time.
- **Observer design** to Observer gain.

Desired eigenvalues — Observer eigenvalues

0 (default) | real vector

Specify the location of the eigenvalues:

- To have negative real part if **State-space parameterization** is set to Continuous-time. In this case, the eigenvalues of the continuous-time system are approximated to the discrete ones based on the **Discretization sample time**.
- To lie within the unit circle if **State-space parameterization** is set to Discrete-time.

The Observer gain is then calculated based on these eigenvalues. The size of the vector should be the same as the system order.

Initial conditions — Initial conditions

0 (default) | real vector with length equal to system order

Select the initial condition of each state.

Discretization sample time — Discretization sample time

0.1 (default) | positive real number

Value used to discretize the state space matrices and also approximate the discrete-time eigenvalues.

Dependencies

To enable this parameter, set **State-space parameterization** to Continuous-time.

Sample time — Sample time

0.1 (default) | -1 or positive real number

Value used to simulate the dynamics of the model. Choose the same value as **Discretization sample time**, unless the block is placed within a triggered subsystem, in which case you must set it to -1.

References

- [1] Luenberger, D. G. "An Introduction to Observers." *IEEE Transactions on Automatic Control*. Vol. 16, Number 6, 1971, pp. 596-602.

- [2] Alessandri, A., and P. Coletta. "Design of Luenberger observers for a class of hybrid linear systems." *In International Workshop on Hybrid Systems: Computation and Control*, Berlin, March 2001.
- [3] Varga, A. "Robust pole assignment via Sylvester equation based state feedback parametrization." *In Computer-Aided Control System Design*, pp. 13-18., Anchorage, Alaska, 2000.

Extended Capabilities

C/C++ Code Generation

Generate C and C++ code using Simulink® Coder™.

See Also

Blocks

Induction Machine Flux Observer | State Feedback Controller

Introduced in R2017b

Machine Inertia

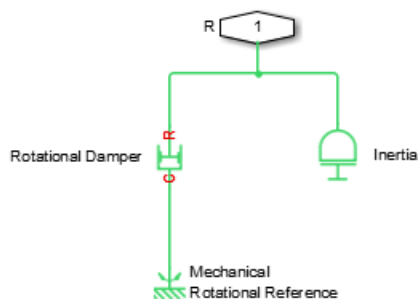
Machine inertia parameterized using machine inertia constant or anchor inertia

Library: Simscape / Electrical / Electromechanical / Mechanical



Description

The Machine Inertia block models inertia and damping that you connect to the mechanical rotational R port of a three-phase machine. The block has an internal connection to a mechanical rotational reference. The figure shows an equivalent configuration to the Machine Inertia block using Simscape mechanical rotational components.



Based on the value you select for the **Specify inertia parameterization** by parameter, you specify inertia J directly or using the machine inertia constant H .

If you specify the inertia constant, the block calculates inertia by

$$J = \frac{2HS_{rated}}{(2\pi F_{rated}/N)^2},$$

where:

- J is inertia in $\text{kg}\cdot\text{m}^2$.
- H is the inertia constant in sW/VA .
- S_{rated} is the machine rated apparent power in VA.
- F_{rated} is the machine rated electrical frequency in Hz.
- N is the number of machine pole pairs.

You specify damping that represents viscous friction between the machine rotor and mechanical rotational reference. Based on the value you select for the **Specify damper parameterization** by parameter, you specify a damping coefficient in SI units or in per-unit. If you specify the damping coefficient in per-unit, the block calculates the damping coefficient in SI units by

$$\omega_{base} = \frac{2\pi F_{rated}}{N},$$

$$T_{base} = \frac{S_{rated}}{\omega_{base}},$$

$$D_{base} = \frac{T_{base}}{\omega_{base}},$$

and

$$D = D_{pu}D_{base},$$

where:

- ω_{base} is the base mechanical speed in rad/s.
- T_{base} is the base damping torque in Nm.
- D_{base} is the base damping coefficient in Nm/(rad/s).
- D_{pu} is the damping coefficient in per-unit.
- D is the damping coefficient in SI units of Nm/(rad/s).

Display Option

You can display machine parameters using the **Electrical** menu on the block context menu.

Right-click the block and, from the **Electrical** menu, select **Display Parameters** to display the machine per-unit base values and inertia parameters in the MATLAB Command Window.

Ports

Conserving

R — Machine rotor

mechanical

Mechanical rotational conserving port associated with the machine rotor.

Parameters

Main

Rated apparent power — Rated apparent power

555e6 V*A (default)

Machine rated apparent power.

Rated electrical frequency — Nominal electrical frequency

60 Hz (default)

Nominal electrical frequency corresponding to the machine rated apparent power.

Number of pole pairs — Number of pole pairs

1 (default)

Number of pole pairs of the connected machine.

Inertia

Specify inertia parameterization by – Inertia parameterization

Inertia constant, H (default) | Actual Inertia, J

Inertia specification.

Inertia constant, H – Inertia constant

3.525 s*W/VA (default)

Inertia constant.

Dependencies

This parameter is visible only if you set the **Specify inertia parameterization by** parameter to Inertia constant, H.

Actual inertia, J – Actual inertia

27548 kg*m² (default)

Total rotational mechanical inertia of machine rotor. This parameter is visible only if you set **Specify inertia parameterization by** to Actual Inertia, J.

Dependencies

This parameter is visible only if you set the **Specify inertia parameterization by** parameter to Actual Inertia, J.

Specify damper parameterization by – Damping parameterization

Per-unit damping coefficient, pu_D (default) | SI damping coefficient, D

Damping specification.

Per-unit damping coefficient – Per-unit damping coefficient

0.01 (default)

Damping coefficient in per-unit.

Dependencies

This parameter is visible only if you set the **Specify damper parameterization by** parameter to Per-unit damping coefficient, pu_D.

SI damping coefficient – Damping coefficient

39.0509 Nm/(rad/s) (default)

Damping coefficient in SI units.

Dependencies

This parameter is visible only if you set the **Specify damper parameterization by** parameter to SI damping coefficient, D.

Initial Conditions

Specify initialization by – Frequency initialization

Initial electrical frequency (default) | Initial mechanical frequency

Frequency initialization.

Initial electrical frequency – Initial electrical frequency

60 Hz (default)

Initial electrical frequency.

Dependencies

This parameter is visible only if you set the **Specify initialization by** parameter to Initial electrical frequency.

Initial mechanical frequency – Initial mechanical frequency

60 Hz (default)

Initial mechanical frequency.

Dependencies

This parameter is visible only if you set the **Specify initialization by** parameter to Initial mechanical frequency.

References

[1] Kundur, P. *Power System Stability and Control*. New York, NY: McGraw Hill, 1993.

Extended Capabilities

C/C++ Code Generation

Generate C and C++ code using Simulink® Coder™.

See Also

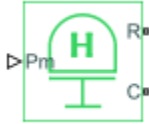
Machine Mechanical Power

Introduced in R2013b

Machine Mechanical Power

Machine mechanical power defined in the SI or per-unit system

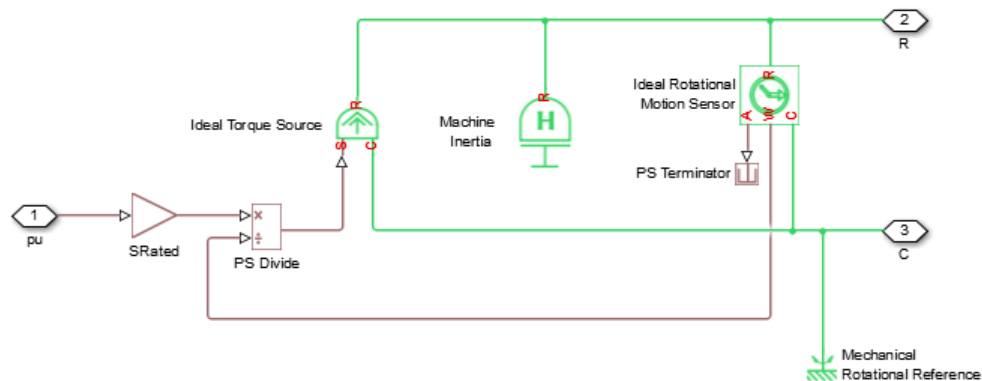
Library: Simscape / Electrical / Electromechanical / Mechanical



Description

The Machine Mechanical Power block supplies specified power to, or draws specified power from, the machine that it connects to. It includes a representation of machine inertia and a mechanical rotational reference. In generator mode, the physical signal input defines the mechanical power that is input to the machine. In motor mode, it defines the mechanical power output from the machine.

The figure shows an equivalent configuration to the per-unit variant model of the Machine Mechanical Power block using Simscape mechanical rotational components.



Electrical Defining Equations

The SI model converts the SI values that you enter in the dialog box to per-unit values for simulation. For information on the relationship between SI and per-unit machine parameters, see “Per-Unit Conversion for Machine Parameters”. For information on per-unit parameterization, see “Per-Unit System of Units”.

To calculate the torque that it applies to the inertia, the block divides the power demand by the present speed. To set the peak torque limit, specify a value for the **Peak torque to rated torque ratio** parameter. Use the **Specify inertia parameterization by** parameter to specify inertia, J , directly or indirectly, with the inertia constant for the machine, H .

If you specify the inertia constant for the machine, the block calculates inertia as

$$J = \frac{2HS_{rated}}{(2\pi F_{rated}/N)^2},$$

where:

- J is inertia in kg·m².
- H is the inertia constant in sW/VA.
- S_{rated} is the rated apparent power of the connected machine in VA.
- F_{rated} is the rated electrical frequency of the connected machine in Hz.
- N is the number of machine pole pairs.

Damping represents viscous friction between the machine rotor and mechanical rotational reference. Based on the value you select for the **Specify damper parameterization by** parameter, you specify a damping coefficient in per-unit or in SI units. If you specify the damping coefficient in per-unit, the block calculates the damping coefficient in SI units using these equations:

$$\omega_{base} = \frac{2\pi F_{rated}}{N},$$

$$T_{base} = \frac{S_{rated}}{\omega_{base}},$$

$$D_{base} = \frac{T_{base}}{\omega_{base}},$$

and

$$D = D_{pu}D_{base},$$

where:

- ω_{base} is the base mechanical speed in rad/s.
- T_{base} is the base damping torque in Nm.
- D_{base} is the base damping coefficient in Nm/(rad/s).
- D_{pu} is the damping coefficient in per-unit.
- D is the damping coefficient in SI units of Nm/(rad/s).

Ports

Input

Pm — Mechanical power

physical | positive

Physical signal input port associated with mechanical power, in W.

Dependencies

This port is visible only if you set the **PS input unit** parameter in the **Main** setting to SI.

pu — Per-unit mechanical power

physical | positive

Physical signal input port associated with mechanical power, in per-unit.

Dependencies

This port is visible only if you set the **PS input unit** parameter in the **Main** setting to `Per unit`.

Conserving

R – Machine rotor

mechanical

Mechanical rotational conserving port associated with the machine rotor.

C – Machine case

mechanical

Mechanical rotational conserving port associated with the machine case.

Parameters

Main

Input power sign convention – Type specification

Generator (default) | Motor

Machine type specification.

Rated apparent power – Rated apparent power

555e6 V*A (default)

Rated apparent power of the connected machine.

Rated electrical frequency – Nominal electrical frequency

60 Hz (default)

Nominal electrical frequency corresponding to the rated apparent power of the connected machine.

Number of pole pairs – Number of pole pairs

1 (default)

Number of pole pairs of the connected machine.

PS input unit – Physical signal unit system

SI (default) | `Per unit`

Unit system for physical signal input.

Select SI to expose the **Pm** port or `Per unit` to expose the **pu** port.

Peak torque to rated torque ratio – Peak torque to rated torque ratio

2 (default)

Ratio that the block multiplies by the base torque to provide the upper limit for the torque that accelerates the inertia.

Inertia**Specify inertia parameterization by — Inertia parameterization**

Inertia constant, H (default) | Actual Inertia, J

Inertia specification.

Inertia constant, H — Inertia constant

3.525 s*W/VA (default)

Inertia constant.

Dependencies

This parameter is visible only if you set the **Specify inertia parameterization by** parameter to Inertia constant, H.

Actual inertia, J — Actual inertia27548 kg*m² (default)

Total rotational mechanical inertia of machine rotor. This parameter is visible only if you set **Specify inertia parameterization by** to Actual Inertia, J.

Dependencies

This parameter is visible only if you set the **Specify inertia parameterization by** parameter to Actual Inertia, J.

Specify damper parameterization by — Damping parameterization

Per-unit damping coefficient, pu_D (default) | SI damping coefficient, D

Damping specification.

Per-unit damping coefficient — Per-unit damping coefficient

0.01 (default)

Damping coefficient in per-unit.

Dependencies

This parameter is visible only if you set the **Specify damper parameterization by** parameter to Per-unit damping coefficient, pu_D.

SI damping coefficient — Damping coefficient

39.0509 Nm/(rad/s) (default)

Damping coefficient in SI units.

Dependencies

This parameter is visible only if you set the **Specify damper parameterization by** parameter to SI damping coefficient, D.

Initial Conditions**Specify initialization by — Frequency initialization**

Initial electrical frequency (default) | Initial mechanical frequency

Frequency initialization.

Initial electrical frequency – Initial electrical frequency

60 Hz (default)

Initial electrical frequency.

Dependencies

This parameter is visible only if you set the **Specify initialization by** parameter to **Initial electrical frequency**.

Initial mechanical frequency – Initial mechanical frequency

60 Hz (default)

Initial mechanical frequency.

Dependencies

This parameter is visible only if you set the **Specify initialization by** parameter to **Initial mechanical frequency**.

Extended Capabilities

C/C++ Code Generation

Generate C and C++ code using Simulink® Coder™.

See Also

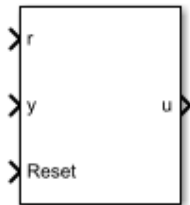
Machine Inertia

Introduced in R2014b

Model Reference Adaptive Controller

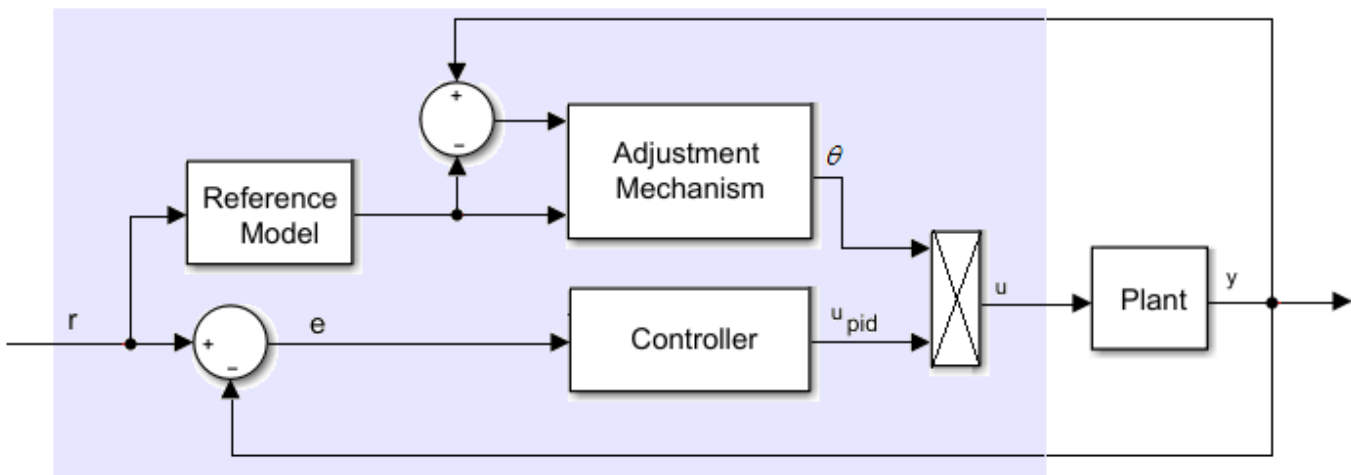
Discrete-time PID-based model reference adaptive control

Library: Simscape / Electrical / Control / General Control



Description

The Model Reference Adaptive Controller block implements discrete-time proportional-integral-derivative (PID) model reference adaptive control (MRAC). The three main components of an MRAC system are the reference model, the adjustment mechanism, and the controller.



Equations

The control equation is

$$u_{pid}(k) = \left[K_p + K_i \frac{T_s z}{z-1} + K_d \frac{z-1}{T_s z} \right] e(k),$$

where:

- u_{pid} is the controller output.
- K_p is the proportional gain.
- K_i is the integral gain.
- K_d is the differential gain.

- T_s is the sample time.
- e is the error.

The reference model is the transfer function for the closed-loop system. This model captures the desired behavior of the closed-loop system. It is implemented as the discrete-time transfer function

$$G_m(z) = \frac{B(z)}{A(z)}.$$

The adaptation mechanism adjusts the control action based on the error between the plant output and the reference model output as

$$\theta = (y - y_m)y_m \frac{-\gamma T_s z}{z - 1},$$

where:

- θ is the adaptation parameter.
- y is the plant output.
- y_m is the reference model output.
- γ is the learning rate.

Increasing the value of γ results in faster adaptation to plant changes.

The adjusted control signal, u , is

$$u(k) = u_{pid}(k)\theta(k).$$

Ports

Input

r — Plant reference, r

scalar

Plant system reference signal.

Data Types: `single` | `double`

y — Plant output, y

scalar

Plant system output signal.

Data Types: `single` | `double`

Reset — Integrator reset

scalar

External reset signal (rising edge) for the integrator.

Data Types: `Boolean`

Output

u — Controller adjusted output, u

scalar

Adjusted control signal.

Data Types: single | double

Parameters

Controller Parameters

Proportional gain — Controller proportional gain, K_p

1 (default) | positive scalar

Proportional gain, K_p , of the controller.

Integral gain — Controller integral gain, K_i

1 (default) | positive scalar

Integral gain, K_i , of the controller.

Derivative gain — Controller derivative gain, K_d

0 (default)

Derivative gain, K_d , of the controller.

Anti-windup gain — Controller anti-windup gain

1 (default) | positive scalar

Anti-windup gain of the controller.

Use filtered derivative — Filter option

on (default) | off

Choose whether to use a filter coefficient for the reference signal.

Dependencies

The **Filter coefficient** parameter is only visible when the **Use filtered derivative** check box is selected.

Filter coefficient — Reference signal filter coefficient

100 (default)

Filter coefficient for the reference signal.

Dependencies

This parameter is only visible when the **Use filtered derivative** check box is selected.

Control action upper limit — Control signal upper limit, u_{pid_max}

5 (default)

Upper bound for the control signal.

Control action lower limit – Control signal lower limit, u_{pid_min}

-5 (default)

Lower bound for the control signal.

Sample time (-1 for inherited) – Block sample time

-1 (default) | positive scalar

Time, in s, between consecutive block executions. During execution, the block produces outputs and, if appropriate, updates its internal state. For more information, see “What Is Sample Time?” and “Specify Sample Time”.

If this block is inside a triggered subsystem, inherit the sample time by setting this parameter to -1. If this block is in a continuous variable-step model, specify the sample time explicitly using a positive scalar.

Dependencies

If you set **Sample time (-1 for inherited)** to -1 and, in the **Reference Model** settings, set **Model parameterization** to Continuous-time, the **Discretization sample time** parameter becomes visible in the **Reference Model** settings.

Reference Model**Model parameterization – Discrete or continuous model option**

Discrete-time (default) | Continuous-time

Mathematical model for the controller.

Dependencies

Choosing:

- Discrete-time makes the discrete-time parameters visible.
- Continuous-time makes the continuous-time parameters visible. Also, in the **Controller Parameter** settings, if **Sample time (-1 for inherited)** is set to -1, choosing this option makes the **Discretization sample time** parameter visible in the **Reference Model** settings.

Discrete-time numerator – Discrete-time transfer function numerator

[0.01 -0.0099] (default)

Numerator for the discrete-time transfer function.

Dependencies

Choosing Discrete-time for **Model parameterization** makes this parameter visible.

Discrete-time denominator – Discrete-time transfer function denominator

[1 -1.9801 0.9802] (default) | vector

Denominator for the discrete-time transfer function.

Dependencies

Choosing Discrete-time for **Model parameterization** makes this parameter visible.

Discretization sample time — Sample time for discretization

0.01 (default) | -1 or positive number

Time, in seconds, between consecutive discretizations. If block sample time is inherited, specify the discretization sample time explicitly.

Dependencies

This parameter is only visible when both of these conditions are met:

- In the **Control Parameters** settings, **Sample time (-1 for inherited)** is set to -1.
- In the **Reference Model** settings, **Model parameterization** is set to Continuous-time.

Continuous-time numerator — Continuous-time transfer function numerator

[1 1] (default) | vector

Numerator for the continuous-time transfer function.

Dependencies

Choosing Continuous-time for **Model parameterization** makes this parameter visible.

Continuous-time denominator — Continuous-time transfer function denominator

[1 2 1] (default) | vector

Denominator for the continuous-time transfer function.

Dependencies

Choosing Continuous-time for **Model parameterization** makes this parameter visible.

Adjustment Mechanism**Learning rate — γ**

0.5 (default)

Rate of adjustment to plant changes.

References

- [1] Butler, H. *Model-Reference Adaptive Control-From Theory to Practice*. Upper Saddle River, NJ: Prentice Hall, 1992.

Extended Capabilities**C/C++ Code Generation**

Generate C and C++ code using Simulink® Coder™.

See Also

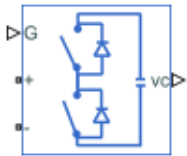
RST Controller

Introduced in R2018a

Modular Multilevel Converter Arm

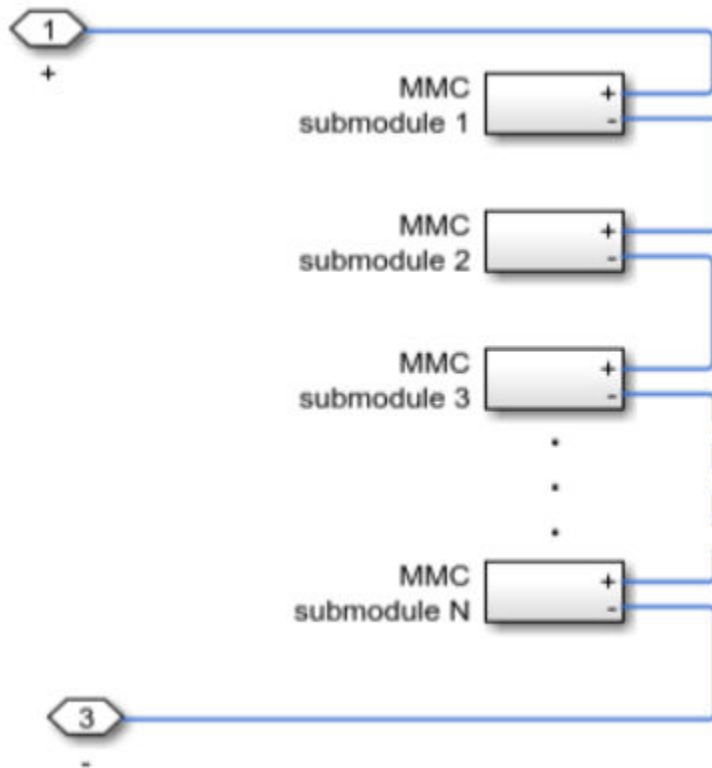
Modular multilevel converter arm with series-connected power submodules

Library: Simscape / Electrical / Semiconductors & Converters / Converters

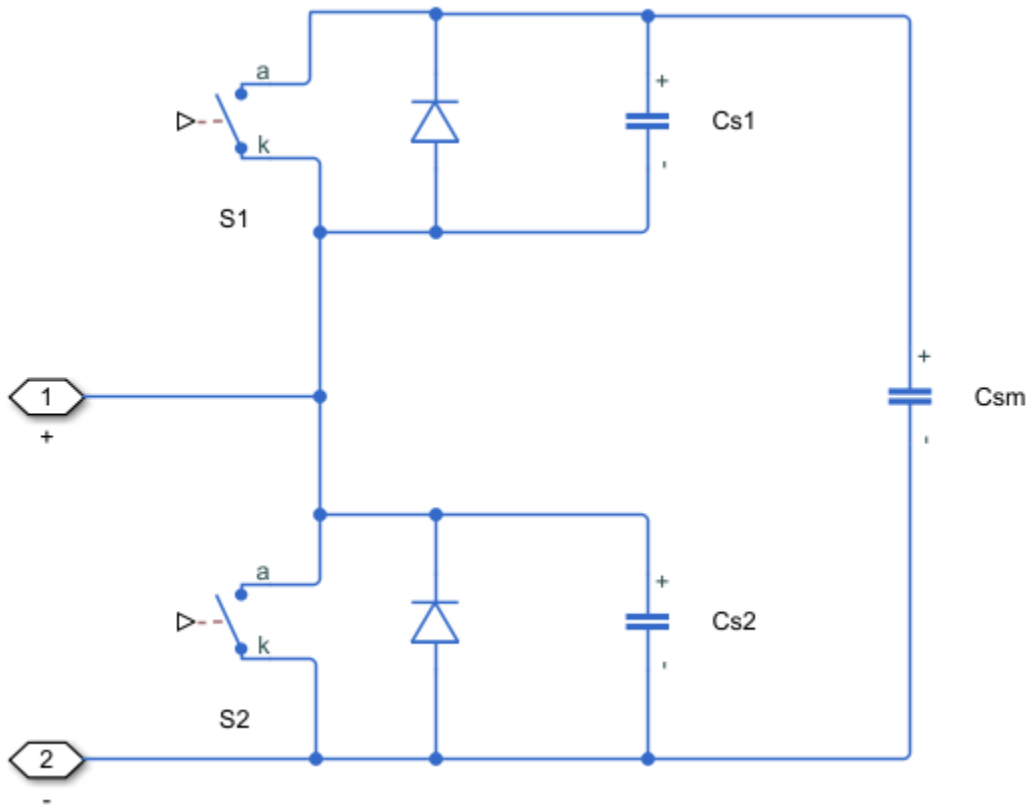


Description

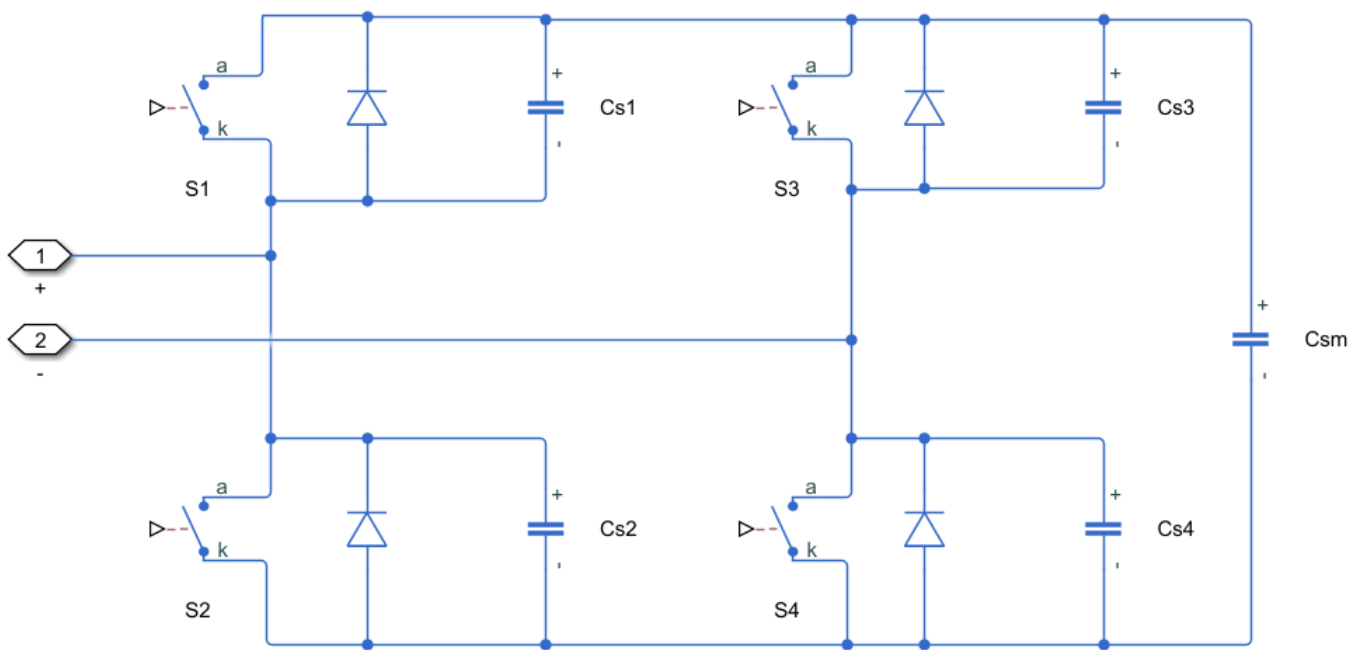
The Modular Multilevel Converter Arm block models a modular multilevel converter arm as a number of series-connected power submodules.



Half-Bridge Topology



Full-Bridge Topology



This blocks allows you to select the level of model fidelity by choosing between a detailed model with switching devices or an equivalent model. You can choose from these switching devices are:

- GTO — Gate turn-off thyristor. For information about the I-V characteristic of the device, see GTO.
- Ideal semiconductor switch — For information about the I-V characteristic of the device, see Ideal Semiconductor Switch.
- IGBT — Insulated-gate bipolar transistor. For information about the I-V characteristic of the device, see IGBT (Ideal, Switching).
- MOSFET — N-channel metal-oxide-semiconductor field-effect transistor. For information about the I-V characteristic of the device, see MOSFET (Ideal, Switching).
- Thyristor — For information about the I-V characteristic of the device, see Thyristor (Piecewise Linear).
- Averaged Switch.

Ports

Input

G — Submodule gate control

vector of physical signals

Physical signal port associated with the gate signal for all submodules of the modular multilevel converter arm, specified as a vector of physical signals.

If you set the **Converter topology** parameter to `Half-bridge`, the output is a vector of length $2 * Nsm$, where Nsm is the **Number of power submodules**.

If you set the **Converter topology** parameter to `Full-bridge`, the output is a vector of length $4 * Nsm$.

Dependencies

To enable this port, set **Fidelity level** to `Detailed model - switching devices` or `Equivalent model - PWM-controlled`.

ref — Submodules reference waveform

physical signal

Physical signal port associated with the reference waveforms, specified as a physical signal.

Dependencies

To enable this port, set **Fidelity level** to `Equivalent model - waveform-controlled`.

Output

vc — Capacitor voltages

vector of physical signals

Physical signal port associated with the capacitor voltages for each submodule in the modular multilevel converter arm, specified as a vector of physical signals.

Dependencies

To enable this port, set **Capacitor voltages** to Instrumented.

Conserving

+ – Positive terminal

electrical

Electrical conserving port associated with the positive terminal of the modular multilevel converter arm.

- – Negative terminal

electrical

Electrical conserving port associated with the negative terminal of the modular multilevel converter arm.

Parameters

Main

Converter topology – Converter topology

Half-bridge (default) | Full-bridge

Topology of the modular multilevel converter.

Fidelity level – Model fidelity

Detailed model - switching devices (default) | Equivalent model - PWM-controlled |
Equivalent model - waveform-controlled

Level of fidelity of the model.

Capacitor voltages – Capacitor voltage instrumentation

Instrumented (default) | Uninstrumented

Whether to instrument the capacitor voltages.

Number of power submodules – Number of submodules

1 (default) | positive scalar

Number of power submodules of the modular multilevel converter.

Capacitance – Submodule capacitance

1e-7 F (default) | scalar | vector

Capacitance of a submodule. If you enter a vector, the vector must be of length N_{sm} , where N_{sm} is the **Number of power submodules**.

Capacitor effective series resistance – Capacitor effective series resistance

1e-6 Ohm (default) | scalar | vector

Capacitor effective series resistance. If you enter a vector, the vector must be of length N_{sm} , where N_{sm} is the **Number of power submodules**.

Dependencies

To enable this parameter, set **Fidelity level** to Detailed model - switching devices.

Capacitor initial voltage – Capacitor initial voltage

500 V (default) | scalar | vector

Initial voltage of the capacitor. If you enter a vector, the vector must be of length *Nsm*, where *Nsm* is the **Number of power submodules**.

Switching Devices

This table shows how enabled parameters in the **Switching Devices** settings depend on the **Switching device** that you select. To learn how to read the table, see “Parameter Dependencies” on page A-2. To enable these settings, set **Fidelity level** to Detailed model - switching devices.

Switching Devices Parameter Dependencies

Parameters and Options					
Switching device					
<i>Ideal Semiconductor Switch</i>	<i>GTO</i>	<i>IGBT</i>	<i>MOSFET</i>	<i>Thyristor</i>	<i>Averaged Switch</i>
On-state resistance	Forward voltage	Forward voltage	Drain-source on resistance	Forward voltage	On-state resistance
Off-state conductance	On-state resistance	On-state resistance	Off-state conductance	On-state resistance	
Threshold voltage	Off-state conductance	Off-state conductance	Threshold voltage	Off-state conductance	
	Gate trigger voltage, Vgt	Threshold voltage		Gate trigger voltage, Vgt	
	Gate turn-off voltage, Vgt_off			Holding current	
	Holding current				

Switching device – Switch type

Ideal Semiconductor Switch (default) | *GTO* | *IGBT* | *MOSFET* | *Thyristor* | *Averaged Switch*

Switching device type for the converter.

Dependencies

See the Switching Devices Parameter Dependencies table.

Forward voltage – Voltage

0.8 V (default) | scalar

For the different switching device types, the **Forward voltage** is the:

- GTO — Minimum voltage required across the anode and cathode block ports for the gradient of the device I-V characteristic to be $1/R_{on}$, where R_{on} is the value of **On-state resistance**
- IGBT — Minimum voltage required across the collector and emitter block ports for the gradient of the diode I-V characteristic to be $1/R_{on}$, where R_{on} is the value of **On-state resistance**
- Thyristor — Minimum voltage required for the device to turn on

Dependencies

See the Switching Devices Parameter Dependencies table.

On-state resistance — Resistance

0.001 Ohm (default) | scalar

For the different switching device types, the **On-state resistance** is the:

- GTO — Rate of change of the voltage versus the current above the forward voltage
- Ideal semiconductor switch — Anode-cathode resistance when the device is on
- IGBT — Collector-emitter resistance when the device is on
- Thyristor — Anode-cathode resistance when the device is on
- Averaged switch — Anode-cathode resistance when the device is on

Dependencies

See the Switching Devices Parameter Dependencies table.

Drain-source on resistance — Resistance

0.001 Ohm (default) | scalar

Resistance between the drain and the source. The gate-to-source voltage also affects the **Drain-source on resistance** parameter.

Dependencies

See the Switching Devices Parameter Dependencies table.

Off-state conductance — Conductance when device is off

1e-5 1/Ohm (default) | scalar

Conductance when the device is off. The value must be less than $1/R$, where R is the value of **On-state resistance**.

For the different switching device types, the **On-state resistance** is the:

- GTO — Anode-cathode conductance
- Ideal semiconductor switch — Anode-cathode conductance
- IGBT — Collector-emitter conductance
- MOSFET — Drain-source conductance
- Thyristor — Anode-cathode conductance

Dependencies

See the Switching Devices Parameter Dependencies table.

Threshold voltage — Voltage threshold

6 V (default) | scalar

Gate voltage threshold. The device turns on when the gate voltage is above this value. The voltage threshold applies to different devices depending on the switching device used:

- Ideal semiconductor switch — Gate-emitter voltage
- IGBT — Gate-cathode voltage
- MOSFET — Gate-source voltage

Dependencies

See the Switching Devices Parameter Dependencies table.

Gate trigger voltage, Vgt — Gate-cathode activation voltage threshold

1 V (default) | scalar

Gate-cathode voltage threshold. The device turns on when the gate-cathode voltage is above this value.

Dependencies

See the Switching Devices Parameter Dependencies table.

Gate turn-off voltage, Vgt_off — Gate-cathode deactivation voltage threshold

-1 V (default) | scalar

Gate-cathode voltage threshold. The device turns off when the gate-cathode voltage is below this value.

Dependencies

See the Switching Devices Parameter Dependencies table.

Holding current — Current threshold

1 A (default) | scalar

Gate current threshold. The device stays on when the current is above this value, even when the gate-cathode voltage falls below the gate trigger voltage.

Dependencies

See the Switching Devices Parameter Dependencies table.

Protection Diodes

For more information on these parameters, see Diode.

Model dynamics — Diode model

Diode with no dynamics (default) | Diode with charge dynamics | None

Diode type. The options are:

- None — The block does not model diode dynamics.
- Diode with no dynamics — Select this option to prioritize simulation speed using the Diode block.

- **Diode with charge dynamics** — Select this option to prioritize model fidelity in terms of reverse mode charge dynamics using the commutation diode model of the Diode block.

Note If you set **Switching device** to Averaged Switch in the **Switching Device** settings, the Diode with no dynamics setting is automatically selected.

Dependencies

To enable this parameter, set **Switching device** to GTO, Ideal Semiconductor Switch, IGBT, MOFSET, or Thyristor.

Forward voltage — Forward voltage

0.8 V (default) | scalar

Minimum voltage required across the + and - block ports for the gradient of the diode I-V characteristic to be $1/R_{on}$, where R_{on} is the value of **On resistance**.

Dependencies

To enable this parameter, set **Model dynamics** to Diode with no dynamics or Diode with charge dynamics.

On resistance — On resistance

0.001 Ohm (default) | scalar

Rate of change of voltage versus the current above the **Forward voltage**.

Dependencies

To enable this parameter, set **Model dynamics** to Diode with no dynamics or Diode with charge dynamics.

Off conductance — Off conductance

1e-5 1/Ohm (default) | scalar

Conductance of the reverse-biased diode.

Dependencies

To enable this parameter, set **Model dynamics** to Diode with no dynamics or Diode with charge dynamics.

Junction capacitance — Junction capacitance

50 nF (default) | scalar

Diode junction capacitance.

Dependencies

To enable this parameter, set **Model dynamics** to Diode with charge dynamics.

Peak reverse current, i_{RM} — Peak reverse current

-235 A (default) | negative scalar

Peak reverse current measured by an external test circuit. This value must be less than zero.

Dependencies

To enable this parameter, set **Model dynamics** to Diode with charge dynamics.

Initial forward current when measuring iRM — Initial forward current when measuring iRM

300 A (default) | positive scalar

Initial forward current when measuring peak reverse current. This value must be greater than zero.

Dependencies

To enable this parameter, set **Model dynamics** to Diode with charge dynamics.

Rate of change of current when measuring iRM — Rate of change of current when measuring iRM

-50 A/ μ s (default) | negative scalar

Rate of change of the current when measuring the peak reverse current. This value must be less than zero.

Dependencies

To enable this parameter, set **Model dynamics** to Diode with charge dynamics.

Reverse recovery time parameterization — Reverse recovery time option

Specify stretch factor (default) | Specify reverse recovery time directly | Specify reverse recovery charge

Determines how you specify reverse recovery time.

If you select `Specify stretch factor` or `Specify reverse recovery charge`, you specify a value that the block uses to derive the reverse recovery time. For more information on these options, see “How the Block Calculates T_M and τ ” on page 1-374.

Dependencies

To enable this parameter, set **Model dynamics** to Diode with charge dynamics.

Reverse recovery time, trr — Reverse recovery time

15 μ s (default) | scalar

Interval between the time when the current initially goes to zero (when the diode turns off) and the time when the current falls to less than 10% of the peak reverse current. The value of the **Reverse recovery time, trr** parameter must be greater than the value of the **Peak reverse current, iRM** parameter divided by the value of the **Rate of change of current when measuring iRM** parameter.

Dependencies

To enable this parameter, set **Model dynamics** to Diode with charge dynamics and **Reverse recovery time parameterization** to `Specify reverse recovery time directly`.

Reverse recovery time stretch factor — Reverse recovery time stretch factor

3 (default) | scalar

Value that the block uses to calculate **Reverse recovery time, trr**. This value must be greater than 1. Specifying the stretch factor is an easier way to parameterize the reverse recovery time than

specifying the reverse recovery charge. The larger the value of the stretch factor, the longer it takes for the reverse recovery current to dissipate.

Dependencies

To enable this parameter, set **Model dynamics** to Diode with charge dynamics and **Reverse recovery time parameterization** to Specify stretch factor.

Reverse recovery charge, Q_{rr} — Reverse recovery charge

1500 s* μ A (default) | scalar

Value that the block uses to calculate **Reverse recovery time, t_{rr}** . Use this parameter if the data sheet for your diode specifies a value for the reverse recovery charge instead of a value for the reverse recovery time.

The reverse recovery charge is the total charge that continues to dissipate when the diode turns off.

The value must be less than $-\frac{i_{RM}^2}{2a}$, where:

- i_{RM} is the value specified for **Peak reverse current, i_{RM}** .
- a is the value specified for **Rate of change of current when measuring i_{RM}** .

Dependencies

To enable this parameter, set **Model dynamics** to Diode with charge dynamics and **Reverse recovery time parameterization** to Specify reverse recovery charge.

Snubbers

To enable the **Snubbers** settings, set **Fidelity level** to Detailed model - switching devices and **Switching device** to GTO, Ideal Semiconductor Switch, IGBT, MOFSET, or Thyristor.

Snubber — Snubber

None (default) | RC snubber

Snubber for each switching device:

- None
- RC snubber

Snubber resistance — Snubber resistance

0.1 Ohm (default) | scalar

Snubber resistance.

Dependencies

To enable this parameter, set **Snubber** to RC snubber.

Snubber capacitance — Snubber capacitance

1e-7 F (default) | scalar

Snubber capacitance.

Dependencies

To enable this parameter, set **Snubber** to RC snubber.

References

- [1] Saad, Hani, Sebastien Denetiere, and Jean Mahseredjian. "On Modelling of MMC in EMT-Type Program." 2016 IEEE 17th Workshop on Control and Modeling for Power Electronics (COMPEL), 1-7. Trondheim, Norway: IEEE, 2016. <https://doi.org/10.1109/COMPEL.2016.7556717>.

Extended Capabilities**C/C++ Code Generation**

Generate C and C++ code using Simulink® Coder™.

See Also

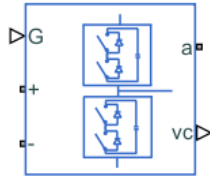
Boost Converter | PWM Generator (Multilevel) | Modular Multilevel Converter Leg | Modular Multilevel Converter (Three-Phase) | Average-Value DC-DC Converter | Bidirectional DC-DC Converter | Buck Converter | Buck-Boost Converter | Converter (Three-Phase) | GTO | IGBT (Ideal, Switching) | Ideal Semiconductor Switch | MOSFET (Ideal, Switching) | PWM Generator | PWM Generator (Three-phase, Two-level) | Three-Level Converter (Three-Phase) | Thyristor (Piecewise Linear)

Introduced in R2020b

Modular Multilevel Converter Leg

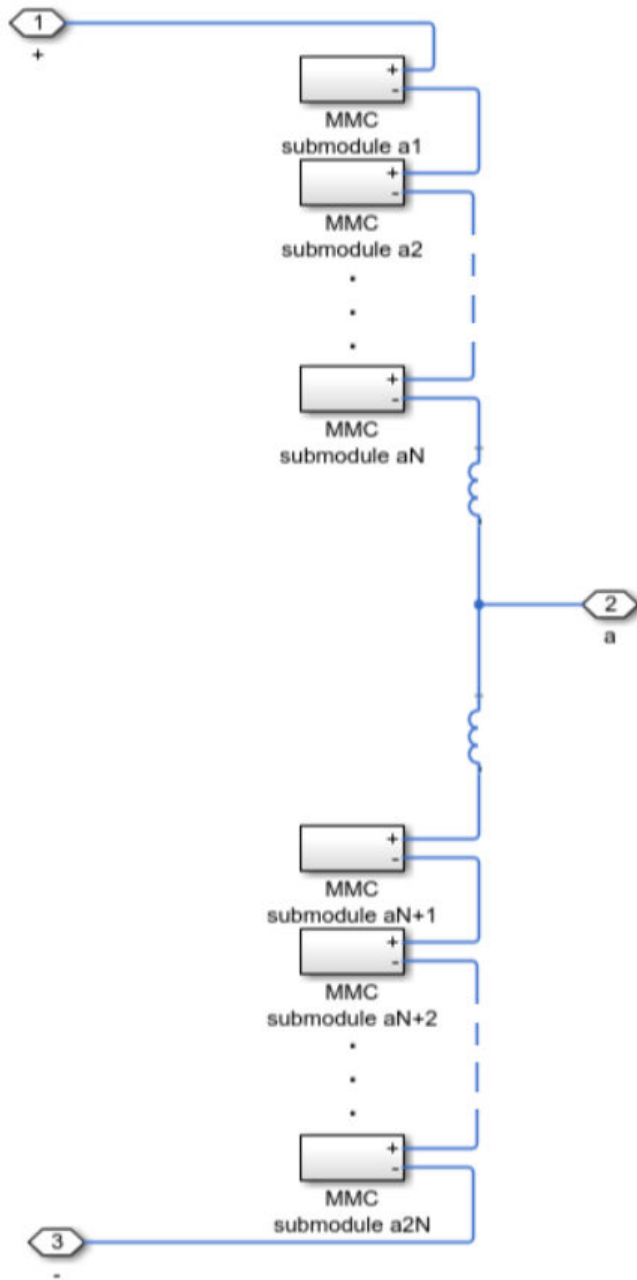
Modular multilevel converter leg with series-connected power submodules

Library: Simscape / Electrical / Semiconductors & Converters / Converters

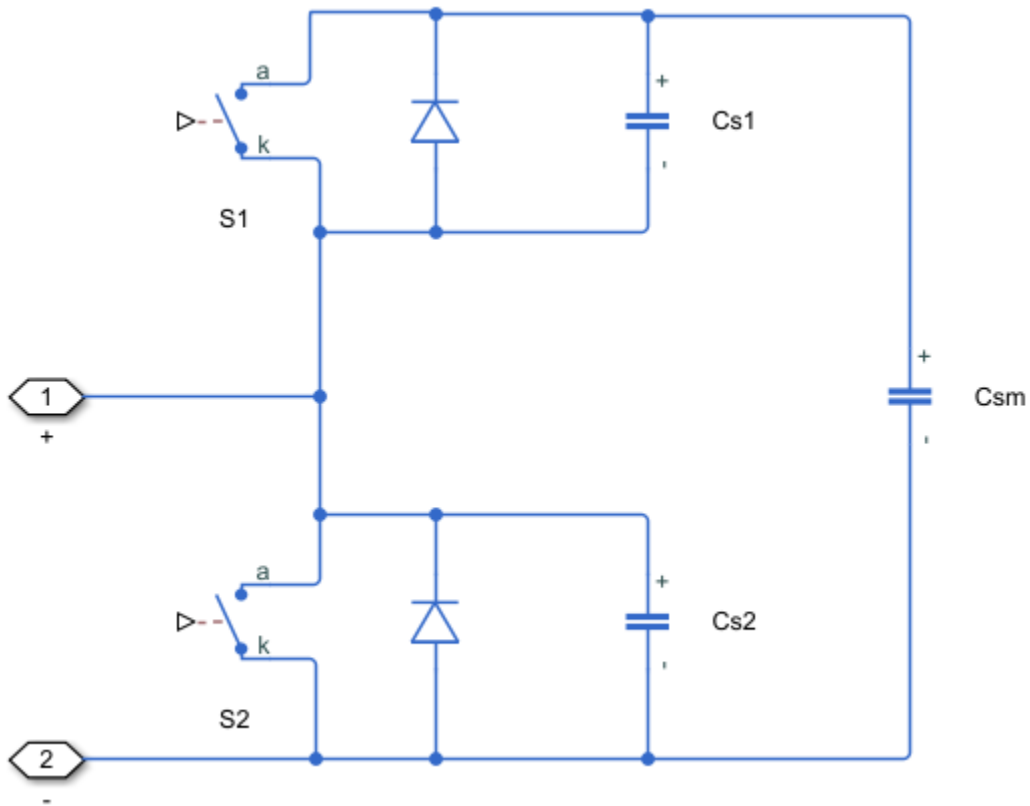


Description

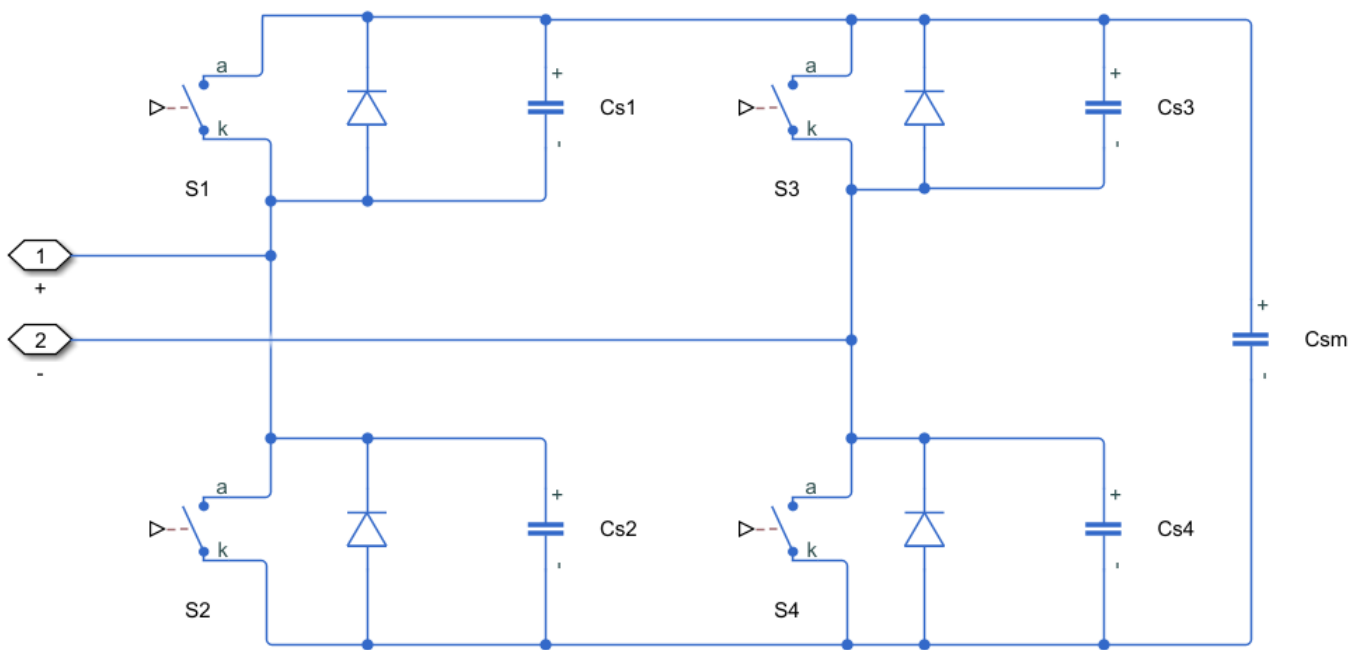
The Modular Multilevel Converter Leg block models a modular multilevel converter leg as a two arms that are implemented with a number of series-connected power submodules.



Half-Bridge Topology



Full-Bridge Topology



This blocks allows you to select the level of model fidelity by choosing between a detailed model with switching devices or an equivalent model. You can choose from these switching devices are:

- GTO — Gate turn-off thyristor. For information about the I-V characteristic of the device, see GTO.
- Ideal semiconductor switch — For information about the I-V characteristic of the device, see Ideal Semiconductor Switch.
- IGBT — Insulated-gate bipolar transistor. For information about the I-V characteristic of the device, see IGBT (Ideal, Switching).
- MOSFET — N-channel metal-oxide-semiconductor field-effect transistor. For information about the I-V characteristic of the device, see MOSFET (Ideal, Switching).
- Thyristor — For information about the I-V characteristic of the device, see Thyristor (Piecewise Linear).
- Averaged Switch.

Variables

Use the **Variables** settings to specify the priority and initial target values for the block variables before simulation. For more information, see “Set Priority and Initial Target for Block Variables”.

Ports

Input

G — Submodule gate control

vector of physical signals

Physical signal port associated with the gate signal for all submodules of the modular multilevel converter leg, specified as a vector of physical signals.

If you set the **Converter topology** parameter to `Half-bridge`, the output is a vector of length $4 * N_{sm}$, where N_{sm} is the **Number of power submodules**.

If you set the **Converter topology** parameter to `Full-bridge`, the output is a vector of length $8 * N_{sm}$.

Dependencies

To enable this port, set **Fidelity level** to `Detailed model - switching devices` or `Equivalent model - PWM-controlled`.

ref — Submodules reference waveform

vector of physical signals

Physical signal port associated with the reference waveforms, specified as a vector of physical signals of length 2.

Dependencies

To enable this port, set **Fidelity level** to `Equivalent model - waveform-controlled`.

Output

vc — Capacitor voltages

vector of physical signals

Physical signal port associated with the capacitor voltages for each submodule in the modular multilevel converter leg, specified as a vector of physical signals.

Dependencies

To enable this port, set **Capacitor voltages** to Instrumented.

Conserving

+ – Positive terminal

electrical

Electrical conserving port associated with the positive terminal of the modular multilevel converter leg.

- – Negative terminal

electrical

Electrical conserving port associated with the negative terminal of the modular multilevel converter leg.

a – Phase a terminal

electrical

Electrical conserving port associated with the single-phase terminal of the modular multilevel converter leg.

Parameters

Main

Converter topology – Converter topology

Half-bridge (default) | Full-bridge

Topology of the modular multilevel converter.

Fidelity level – Model fidelity

Detailed model - switching devices (default) | Equivalent model - PWM-controlled | Equivalent model - waveform-controlled

Level of fidelity of the model.

Capacitor voltages – Capacitor voltage instrumentation

Instrumented (default) | Uninstrumented

Whether to instrument the capacitor voltages.

Number of power submodules – Number of submodules

1 (default) | positive scalar

Number of power submodules of the modular multilevel converter.

Capacitance – Submodule capacitance

1e-7 F (default) | scalar | vector

Capacitance of a submodule. If you enter a vector, the vector must be of length $2 * Nsm$, where Nsm is the **Number of power submodules**.

Capacitor effective series resistance – Capacitor effective series resistance

1e-6 Ohm (default) | scalar | vector

Capacitor effective series resistance. If you enter a vector, the vector must be of length $2 * Nsm$, where Nsm is the **Number of power submodules**.

Dependencies

To enable this parameter, set **Fidelity level** to Detailed model - switching devices.

Arm inductance – Arm inductance

1e-6 H (default) | scalar

Inductance of the arm.

Arm inductance series resistance – Arm inductance series resistance

0 Ohm (default) | scalar

Arm inductance series resistance.

Capacitor initial voltage – Capacitor initial voltage

500 V (default) | scalar | vector

Initial voltage of the capacitor. If you enter a vector, the vector must be of length $2 * Nsm$, where Nsm is the **Number of power submodules**.

Switching Devices

This table shows how enabled parameters in the **Switching Devices** settings depend on the **Switching device** that you select. To learn how to read the table, see “Parameter Dependencies” on page A-2. To enable these settings, set **Fidelity level** to Detailed model - switching devices.

Switching Devices Parameter Dependencies

Parameters and Options					
Switching device					
<i>Ideal Semiconductor Switch</i>	<i>GTO</i>	<i>IGBT</i>	<i>MOSFET</i>	<i>Thyristor</i>	<i>Averaged Switch</i>
On-state resistance	Forward voltage	Forward voltage	Drain-source on resistance	Forward voltage	On-state resistance
Off-state conductance	On-state resistance	On-state resistance	Off-state conductance	On-state resistance	
Threshold voltage	Off-state conductance	Off-state conductance	Threshold voltage	Off-state conductance	
	Gate trigger voltage, Vgt	Threshold voltage		Gate trigger voltage, Vgt	
	Gate turn-off voltage, Vgt_off			Holding current	
	Holding current				

Switching device – Switch type

Ideal Semiconductor Switch (default) | *GTO* | *IGBT* | *MOSFET* | *Thyristor* | *Averaged Switch*

Switching device type for the converter.

Dependencies

See the Switching Devices Parameter Dependencies table.

Forward voltage – Voltage

0.8 V (default) | scalar

For the different switching device types, the **Forward voltage** is the:

- GTO — Minimum voltage required across the anode and cathode block ports for the gradient of the device I-V characteristic to be $1/R_{on}$, where R_{on} is the value of **On-state resistance**
- IGBT — Minimum voltage required across the collector and emitter block ports for the gradient of the diode I-V characteristic to be $1/R_{on}$, where R_{on} is the value of **On-state resistance**
- Thyristor — Minimum voltage required for the device to turn on

Dependencies

See the Switching Devices Parameter Dependencies table.

On-state resistance – Resistance

0.001 Ohm (default) | scalar

For the different switching device types, the **On-state resistance** is the:

- GTO — Rate of change of the voltage versus the current above the forward voltage

- Ideal semiconductor switch — Anode-cathode resistance when the device is on
- IGBT — Collector-emitter resistance when the device is on
- Thyristor — Anode-cathode resistance when the device is on
- Averaged switch — Anode-cathode resistance when the device is on

Dependencies

See the Switching Devices Parameter Dependencies table.

Drain-source on resistance — Resistance

0.001 Ohm (default) | scalar

Resistance between the drain and the source. The gate-to-source voltage also affects the **Drain-source on resistance** parameter.

Dependencies

See the Switching Devices Parameter Dependencies table.

Off-state conductance — Conductance when device is off

1e-5 1/Ohm (default) | scalar

Conductance when the device is off. The value must be less than $1/R$, where R is the value of **On-state resistance**.

For the different switching device types, the **On-state resistance** is the:

- GTO — Anode-cathode conductance
- Ideal semiconductor switch — Anode-cathode conductance
- IGBT — Collector-emitter conductance
- MOSFET — Drain-source conductance
- Thyristor — Anode-cathode conductance

Dependencies

See the Switching Devices Parameter Dependencies table.

Threshold voltage — Voltage threshold

6 V (default) | scalar

Gate voltage threshold. The device turns on when the gate voltage is above this value. The voltage threshold applies to different devices depending on the switching device used:

- Ideal semiconductor switch — Gate-emitter voltage
- IGBT — Gate-cathode voltage
- MOSFET — Gate-source voltage

Dependencies

See the Switching Devices Parameter Dependencies table.

Gate trigger voltage, Vgt — Gate-cathode activation voltage threshold

1 V (default) | scalar

Gate-cathode voltage threshold. The device turns on when the gate-cathode voltage is above this value.

Dependencies

See the Switching Devices Parameter Dependencies table.

Gate turn-off voltage, `Vgt_off` — Gate-cathode deactivation voltage threshold

-1 V (default) | scalar

Gate-cathode voltage threshold. The device turns off when the gate-cathode voltage is below this value.

Dependencies

See the Switching Devices Parameter Dependencies table.

Holding current — Current threshold

1 A (default) | scalar

Gate current threshold. The device stays on when the current is above this value, even when the gate-cathode voltage falls below the gate trigger voltage.

Dependencies

See the Switching Devices Parameter Dependencies table.

Protection Diodes

For more information on these parameters, see Diode.

Model dynamics — Diode model

Diode with no dynamics (default) | Diode with charge dynamics | None

Diode type. The options are:

- `None` — The block does not model diode dynamics.
- `Diode with no dynamics` — Select this option to prioritize simulation speed using the Diode block.
- `Diode with charge dynamics` — Select this option to prioritize model fidelity in terms of reverse mode charge dynamics using the commutation diode model of the Diode block.

Note If you set **Switching device** to `Averaged Switch` in the **Switching Device** settings, the `Diode with no dynamics` setting is automatically selected.

Dependencies

To enable this parameter, set **Switching device** to `GT0`, `Ideal Semiconductor Switch`, `IGBT`, `MOFSET`, or `Thyristor`.

Forward voltage — Forward voltage

0.8 V (default) | scalar

Minimum voltage required across the + and - block ports for the gradient of the diode I-V characteristic to be $1/R_{on}$, where R_{on} is the value of **On resistance**.

Dependencies

To enable this parameter, set **Model dynamics** to Diode with no dynamics or Diode with charge dynamics.

On resistance — On resistance

0.001 Ohm (default) | scalar

Rate of change of voltage versus the current above the **Forward voltage**.

Dependencies

To enable this parameter, set **Model dynamics** to Diode with no dynamics or Diode with charge dynamics.

Off conductance — Off conductance

1e-5 1/Ohm (default) | scalar

Conductance of the reverse-biased diode.

Dependencies

To enable this parameter, set **Model dynamics** to Diode with no dynamics or Diode with charge dynamics.

Junction capacitance — Junction capacitance

50 nF (default) | scalar

Diode junction capacitance.

Dependencies

To enable this parameter, set **Model dynamics** to Diode with charge dynamics.

Peak reverse current, i_{RM} — Peak reverse current

-235 A (default) | negative scalar

Peak reverse current measured by an external test circuit. This value must be less than zero.

Dependencies

To enable this parameter, set **Model dynamics** to Diode with charge dynamics.

Initial forward current when measuring i_{RM} — Initial forward current when measuring i_{RM}

300 A (default) | positive scalar

Initial forward current when measuring peak reverse current. This value must be greater than zero.

Dependencies

To enable this parameter, set **Model dynamics** to Diode with charge dynamics.

Rate of change of current when measuring i_{RM} — Rate of change of current when measuring i_{RM}

-50 A/ μ s (default) | negative scalar

Rate of change of the current when measuring the peak reverse current. This value must be less than zero.

Dependencies

To enable this parameter, set **Model dynamics** to Diode with charge dynamics.

Reverse recovery time parameterization – Reverse recovery time option

Specify stretch factor (default) | Specify reverse recovery time directly | Specify reverse recovery charge

Determines how you specify reverse recovery time.

If you select Specify stretch factor or Specify reverse recovery charge, you specify a value that the block uses to derive the reverse recovery time. For more information on these options, see “How the Block Calculates T_M and Tau” on page 1-374.

Dependencies

To enable this parameter, set **Model dynamics** to Diode with charge dynamics.

Reverse recovery time, t_{rr} – Reverse recovery time

15 μ s (default) | scalar

Interval between the time when the current initially goes to zero (when the diode turns off) and the time when the current falls to less than 10% of the peak reverse current. The value of the **Reverse recovery time, t_{rr}** parameter must be greater than the value of the **Peak reverse current, i_{RM}** parameter divided by the value of the **Rate of change of current when measuring i_{RM}** parameter.

Dependencies

To enable this parameter, set **Model dynamics** to Diode with charge dynamics and **Reverse recovery time parameterization** to Specify reverse recovery time directly.

Reverse recovery time stretch factor – Reverse recovery time stretch factor

3 (default) | scalar

Value that the block uses to calculate **Reverse recovery time, t_{rr}** . This value must be greater than 1. Specifying the stretch factor is an easier way to parameterize the reverse recovery time than specifying the reverse recovery charge. The larger the value of the stretch factor, the longer it takes for the reverse recovery current to dissipate.

Dependencies

To enable this parameter, set **Model dynamics** to Diode with charge dynamics and **Reverse recovery time parameterization** to Specify stretch factor.

Reverse recovery charge, Q_{rr} – Reverse recovery charge

1500 s* μ A (default) | scalar

Value that the block uses to calculate **Reverse recovery time, t_{rr}** . Use this parameter if the data sheet for your diode specifies a value for the reverse recovery charge instead of a value for the reverse recovery time.

The reverse recovery charge is the total charge that continues to dissipate when the diode turns off.

The value must be less than $-\frac{i_{RM}^2}{2a}$, where:

- i_{RM} is the value specified for **Peak reverse current, iRM**.
- a is the value specified for **Rate of change of current when measuring iRM**.

Dependencies

To enable this parameter, set **Model dynamics** to Diode with charge dynamics and **Reverse recovery time parameterization** to Specify reverse recovery charge.

Snubbers

To enable the **Snubbers** settings, set **Fidelity level** to Detailed model - switching devices and **Switching device** to GTO, Ideal Semiconductor Switch, IGBT, M0FSET, or Thyristor.

Snubber — Snubber

None (default) | RC snubber

Snubber for each switching device:

- None
- RC snubber

Snubber resistance — Snubber resistance

0.1 Ohm (default) | scalar

Snubber resistance.

Dependencies

To enable this parameter, set **Snubber** to RC snubber.

Snubber capacitance — Snubber capacitance

1e-7 F (default) | scalar

Snubber capacitance.

Dependencies

To enable this parameter, set **Snubber** to RC snubber.

References

- [1] Saad, Hani, Sebastien Denetiere, and Jean Mahseredjian. "On Modelling of MMC in EMT-Type Program." 2016 IEEE 17th Workshop on Control and Modeling for Power Electronics (COMPEL), 1-7. Trondheim, Norway: IEEE, 2016. <https://doi.org/10.1109/COMPEL.2016.7556717>.

Extended Capabilities**C/C++ Code Generation**

Generate C and C++ code using Simulink® Coder™.

See Also

Boost Converter | PWM Generator (Multilevel) | Modular Multilevel Converter Arm | Modular Multilevel Converter (Three-Phase) | Average-Value DC-DC Converter | Bidirectional DC-DC

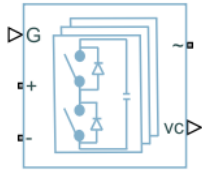
Converter | Buck Converter | Buck-Boost Converter | Converter (Three-Phase) | GTO | IGBT (Ideal, Switching) | Ideal Semiconductor Switch | MOSFET (Ideal, Switching) | PWM Generator | PWM Generator (Three-phase, Two-level) | Three-Level Converter (Three-Phase) | Thyristor (Piecewise Linear)

Introduced in R2020b

Modular Multilevel Converter (Three-Phase)

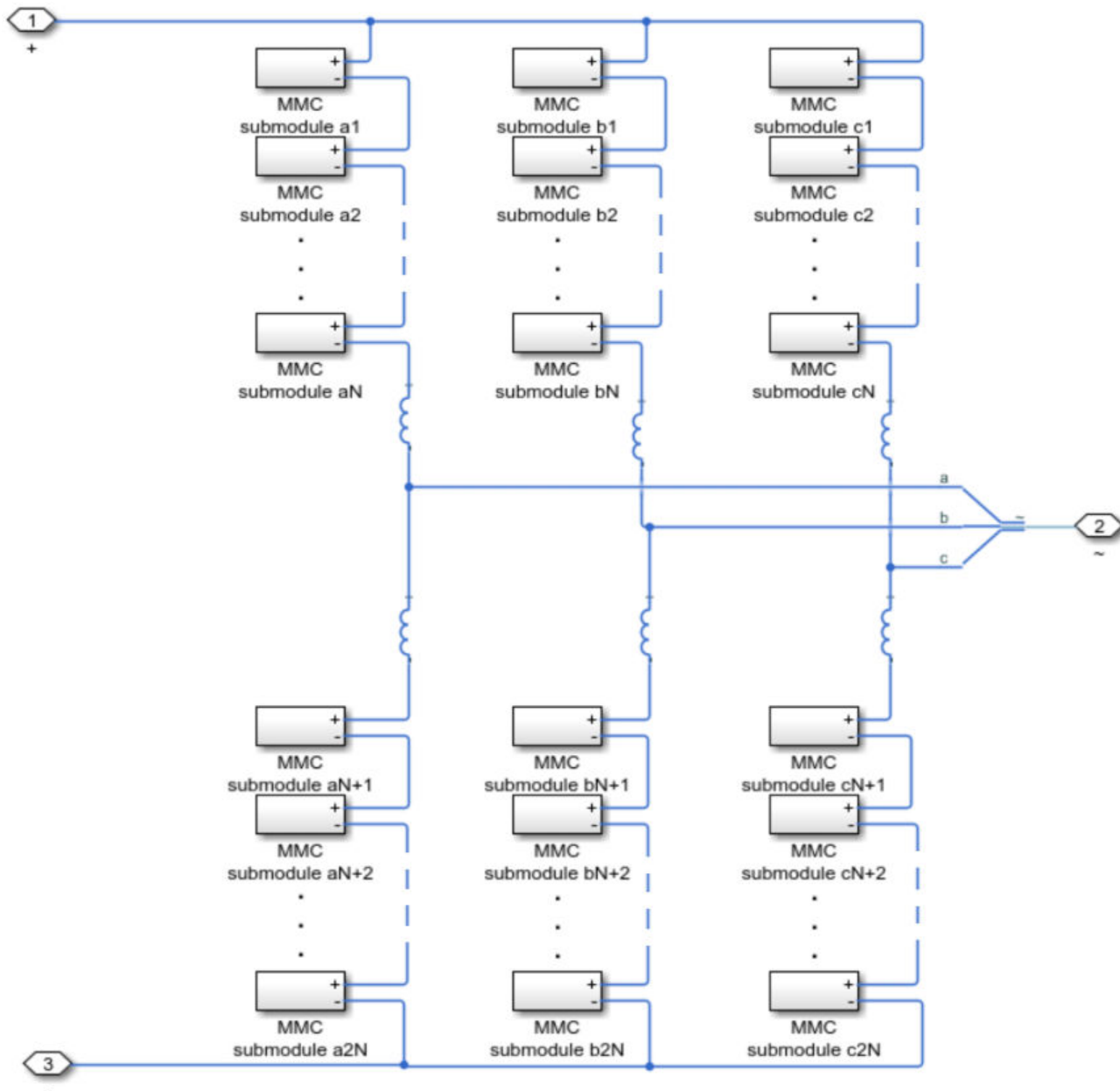
Three-phase modular multilevel converter with series-connected power submodules

Library: Simscape / Electrical / Semiconductors & Converters / Converters



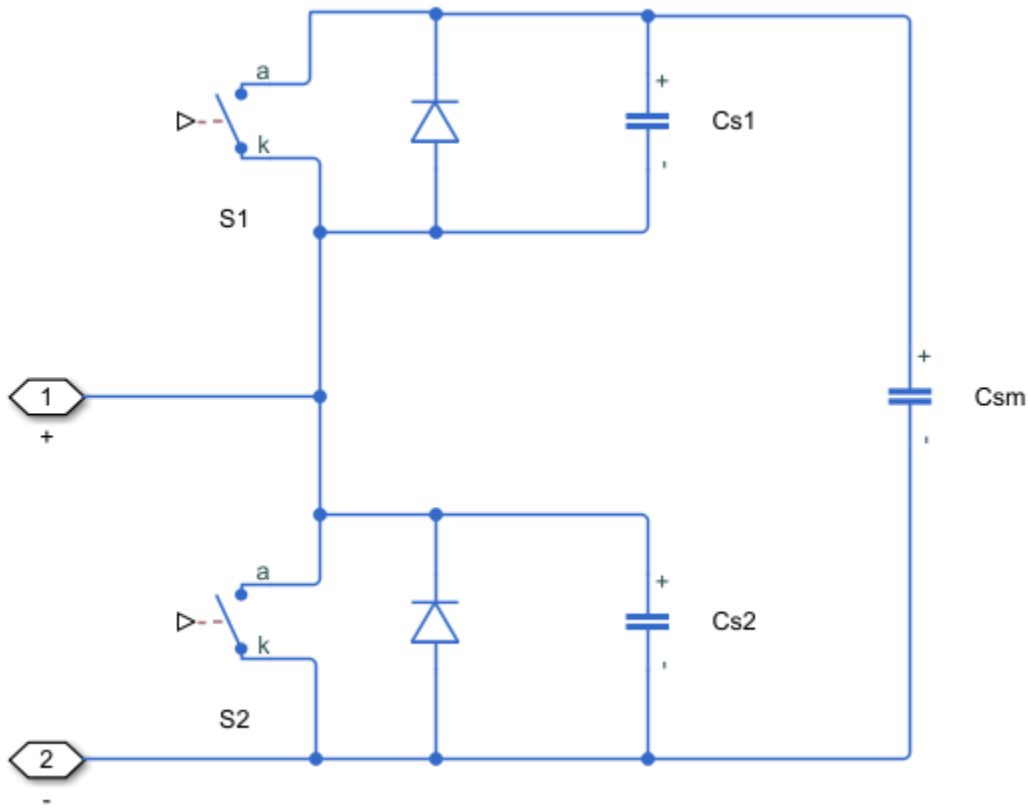
Description

The Modular Multilevel Converter (Three-Phase) block models a three-phase modular multilevel converter. Each phase consists of two arms that are implemented with a number of series-connected power submodules.

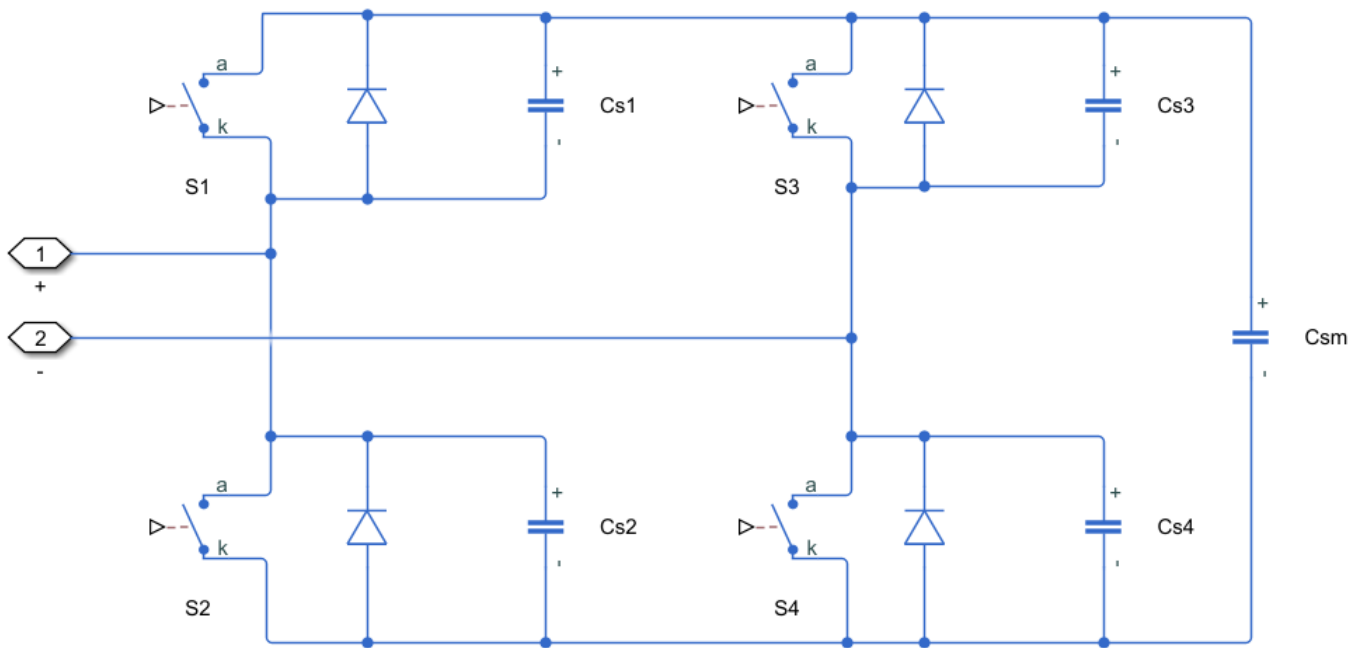


Each submodule consists of a half-bridge or full-bridge converter and a capacitor.

Half-Bridge Topology



Full-Bridge Topology



This block allows you to select the level of model fidelity by choosing between a detailed model with switching devices or an equivalent model. You can choose from these switching devices are:

- GTO — Gate turn-off thyristor. For information about the I-V characteristic of the device, see GTO.
- Ideal semiconductor switch — For information about the I-V characteristic of the device, see Ideal Semiconductor Switch.
- IGBT — Insulated-gate bipolar transistor. For information about the I-V characteristic of the device, see IGBT (Ideal, Switching).
- MOSFET — N-channel metal-oxide-semiconductor field-effect transistor. For information about the I-V characteristic of the device, see MOSFET (Ideal, Switching).
- Thyristor — For information about the I-V characteristic of the device, see Thyristor (Piecewise Linear).
- Averaged Switch.

Variables

Use the **Variables** settings to specify the priority and initial target values for the block variables before simulation. For more information, see “Set Priority and Initial Target for Block Variables”.

Ports

Input

G — Submodule gate control

matrix of physical signals

Physical signal port associated with the gate signal for all submodules of the modular multilevel converter, specified as a matrix.

If you set the **Converter topology** parameter to **Half-bridge**, the signal is a vector of length $12 * N_{sm}$, where N_{sm} is the **Number of power submodules**.

If you set the **Converter topology** parameter to **Full-bridge**, the signal is a vector of length $24 * N_{sm}$.

Dependencies

To enable this port, set **Fidelity level** to **Detailed model - switching devices** or **Equivalent model - PWM-controlled**.

ref — Submodule reference waveform

vector of physical signals

Physical signal port associated with the reference waveforms of the submodules, specified as a vector of length 6.

Dependencies

To enable this port, set **Fidelity level** to **Equivalent model - waveform-controlled**.

Output

vc — Capacitor voltages

vector of physical signals

Physical signal port associated with the capacitor voltages for each submodule in the modular multilevel converter, returned as a vector.

Dependencies

To enable this port, set **Capacitor voltages** to Instrumented.

Conserving

+ – Positive terminal

electrical

Electrical conserving port associated with the positive terminal of the modular multilevel converter.

- – Negative terminal

electrical

Electrical conserving port associated with the negative terminal of the modular multilevel converter.

~ – Three-phase port

electrical

Expandable three-phase electrical port associated with the three-phase terminal of the modular multilevel converter.

Parameters

Main

Converter topology – Converter topology

Half-bridge (default) | Full-bridge

Topology of the modular multilevel converter.

Fidelity level – Model fidelity

Detailed model - switching devices (default) | Equivalent model - PWM-controlled |
Equivalent model - waveform-controlled

Level of fidelity of the model.

Capacitor voltages – Capacitor voltage instrumentation

Instrumented (default) | Uninstrumented

Whether to instrument the capacitor voltages.

Number of power submodules – Number of submodules

1 (default) | positive scalar

Number of power submodules of the modular multilevel converter.

Capacitance – Submodule capacitance

1e-7 F (default) | scalar | vector

Capacitance of a submodule. If you enter a vector, the vector must be of length $6 * Nsm$, where Nsm is the **Number of power submodules**.

Capacitor effective series resistance – Capacitor effective series resistance

1e-6 Ohm (default) | scalar | vector

Capacitor effective series resistance. If you enter a vector, the vector must be of length $6 * Nsm$, where Nsm is the **Number of power submodules**.

Dependencies

To enable this parameter, set **Fidelity level** to Detailed model - switching devices.

Arm inductance – Arm inductance

1e-6 H (default) | scalar

Inductance of the arm.

Arm inductance series resistance – Arm inductance series resistance

0 Ohm (default) | scalar

Arm inductance series resistance.

Capacitor initial voltage – Capacitor initial voltage

500 V (default) | scalar | vector

Initial voltage of the capacitor. If you enter a vector, the vector must be of length $6 * Nsm$, where Nsm is the **Number of power submodules**.

Switching Devices

This table shows how enabled parameters in the **Switching Devices** settings depend on the **Switching device** that you select. To learn how to read the table, see “Parameter Dependencies” on page A-2. To enable these settings, set **Fidelity level** to Detailed model - switching devices.

Switching Devices Parameter Dependencies

Parameters and Options					
Switching device					
<i>Ideal Semiconductor Switch</i>	<i>GTO</i>	<i>IGBT</i>	<i>MOSFET</i>	<i>Thyristor</i>	<i>Averaged Switch</i>
On-state resistance	Forward voltage	Forward voltage	Drain-source on resistance	Forward voltage	On-state resistance
Off-state conductance	On-state resistance	On-state resistance	Off-state conductance	On-state resistance	
Threshold voltage	Off-state conductance	Off-state conductance	Threshold voltage	Off-state conductance	
	Gate trigger voltage, Vgt	Threshold voltage		Gate trigger voltage, Vgt	
	Gate turn-off voltage, Vgt_off			Holding current	
	Holding current				

Switching device – Switch type

Ideal Semiconductor Switch (default) | *GTO* | *IGBT* | *MOSFET* | *Thyristor* | *Averaged Switch*

Switching device type for the converter.

Dependencies

See the Switching Devices Parameter Dependencies table.

Forward voltage – Voltage

0.8 V (default) | scalar

For the different switching device types, the **Forward voltage** is the:

- GTO — Minimum voltage required across the anode and cathode block ports for the gradient of the device I-V characteristic to be $1/R_{on}$, where R_{on} is the value of **On-state resistance**
- IGBT — Minimum voltage required across the collector and emitter block ports for the gradient of the diode I-V characteristic to be $1/R_{on}$, where R_{on} is the value of **On-state resistance**
- Thyristor — Minimum voltage required for the device to turn on

Dependencies

See the Switching Devices Parameter Dependencies table.

On-state resistance – Resistance

0.001 Ohm (default) | scalar

For the different switching device types, the **On-state resistance** is the:

- GTO — Rate of change of the voltage versus the current above the forward voltage

- Ideal semiconductor switch — Anode-cathode resistance when the device is on
- IGBT — Collector-emitter resistance when the device is on
- Thyristor — Anode-cathode resistance when the device is on
- Averaged switch — Anode-cathode resistance when the device is on

Dependencies

See the Switching Devices Parameter Dependencies table.

Drain-source on resistance — Resistance

0.001 Ohm (default) | scalar

Resistance between the drain and the source. The gate-to-source voltage also affects the **Drain-source on resistance** parameter.

Dependencies

See the Switching Devices Parameter Dependencies table.

Off-state conductance — Conductance when device is off

1e-5 1/Ohm (default) | scalar

Conductance when the device is off. The value must be less than $1/R$, where R is the value of **On-state resistance**.

For the different switching device types, the **On-state resistance** is the:

- GTO — Anode-cathode conductance
- Ideal semiconductor switch — Anode-cathode conductance
- IGBT — Collector-emitter conductance
- MOSFET — Drain-source conductance
- Thyristor — Anode-cathode conductance

Dependencies

See the Switching Devices Parameter Dependencies table.

Threshold voltage — Voltage threshold

6 V (default) | scalar

Gate voltage threshold. The device turns on when the gate voltage is above this value. The voltage threshold applies to different devices depending on the switching device used:

- Ideal semiconductor switch — Gate-emitter voltage
- IGBT — Gate-cathode voltage
- MOSFET — Gate-source voltage

Dependencies

See the Switching Devices Parameter Dependencies table.

Gate trigger voltage, Vgt — Gate-cathode activation voltage threshold

1 V (default) | scalar

Gate-cathode voltage threshold. The device turns on when the gate-cathode voltage is above this value.

Dependencies

See the Switching Devices Parameter Dependencies table.

Gate turn-off voltage, `Vgt_off` — Gate-cathode deactivation voltage threshold

-1 V (default) | scalar

Gate-cathode voltage threshold. The device turns off when the gate-cathode voltage is below this value.

Dependencies

See the Switching Devices Parameter Dependencies table.

Holding current — Current threshold

1 A (default) | scalar

Gate current threshold. The device stays on when the current is above this value, even when the gate-cathode voltage falls below the gate trigger voltage.

Dependencies

See the Switching Devices Parameter Dependencies table.

Protection Diodes

For more information on these parameters, see Diode.

Model dynamics — Diode model

Diode with no dynamics (default) | Diode with charge dynamics | None

Diode type. The options are:

- `None` — The block does not model diode dynamics.
- `Diode with no dynamics` — Select this option to prioritize simulation speed using the Diode block.
- `Diode with charge dynamics` — Select this option to prioritize model fidelity in terms of reverse mode charge dynamics using the commutation diode model of the Diode block.

Note If you set **Switching device** to `Averaged Switch` in the **Switching Device** settings, the `Diode with no dynamics` setting is automatically selected.

Dependencies

To enable this parameter, set **Switching device** to `GT0`, `Ideal Semiconductor Switch`, `IGBT`, `MOFSET`, or `Thyristor`.

Forward voltage — Forward voltage

0.8 V (default) | scalar

Minimum voltage required across the + and - block ports for the gradient of the diode I-V characteristic to be $1/R_{on}$, where R_{on} is the value of **On resistance**.

Dependencies

To enable this parameter, set **Model dynamics** to Diode with no dynamics or Diode with charge dynamics.

On resistance — On resistance

0.001 Ohm (default) | scalar

Rate of change of voltage versus the current above the **Forward voltage**.

Dependencies

To enable this parameter, set **Model dynamics** to Diode with no dynamics or Diode with charge dynamics.

Off conductance — Off conductance

1e-5 1/Ohm (default) | scalar

Conductance of the reverse-biased diode.

Dependencies

To enable this parameter, set **Model dynamics** to Diode with no dynamics or Diode with charge dynamics.

Junction capacitance — Junction capacitance

50 nF (default) | scalar

Diode junction capacitance.

Dependencies

To enable this parameter, set **Model dynamics** to Diode with charge dynamics.

Peak reverse current, i_{RM} — Peak reverse current

-235 A (default) | negative scalar

Peak reverse current measured by an external test circuit. This value must be less than zero.

Dependencies

To enable this parameter, set **Model dynamics** to Diode with charge dynamics.

Initial forward current when measuring i_{RM} — Initial forward current when measuring i_{RM}

300 A (default) | positive scalar

Initial forward current when measuring peak reverse current. This value must be greater than zero.

Dependencies

To enable this parameter, set **Model dynamics** to Diode with charge dynamics.

Rate of change of current when measuring i_{RM} — Rate of change of current when measuring i_{RM}

-50 A/ μ s (default) | negative scalar

Rate of change of the current when measuring the peak reverse current. This value must be less than zero.

Dependencies

To enable this parameter, set **Model dynamics** to Diode with charge dynamics.

Reverse recovery time parameterization – Reverse recovery time option

Specify stretch factor (default) | Specify reverse recovery time directly | Specify reverse recovery charge

Determines how you specify reverse recovery time.

If you select **Specify stretch factor** or **Specify reverse recovery charge**, you specify a value that the block uses to derive the reverse recovery time. For more information on these options, see “How the Block Calculates T_M and τ ” on page 1-374.

Dependencies

To enable this parameter, set **Model dynamics** to Diode with charge dynamics.

Reverse recovery time, t_{rr} – Reverse recovery time

15 μ s (default) | scalar

Interval between the time when the current initially goes to zero (when the diode turns off) and the time when the current falls to less than 10% of the peak reverse current. The value of the **Reverse recovery time, t_{rr}** parameter must be greater than the value of the **Peak reverse current, i_{RM}** parameter divided by the value of the **Rate of change of current when measuring i_{RM}** parameter.

Dependencies

To enable this parameter, set **Model dynamics** to Diode with charge dynamics and **Reverse recovery time parameterization** to Specify reverse recovery time directly.

Reverse recovery time stretch factor – Reverse recovery time stretch factor

3 (default) | scalar

Value that the block uses to calculate **Reverse recovery time, t_{rr}** . This value must be greater than 1. Specifying the stretch factor is an easier way to parameterize the reverse recovery time than specifying the reverse recovery charge. The larger the value of the stretch factor, the longer it takes for the reverse recovery current to dissipate.

Dependencies

To enable this parameter, set **Model dynamics** to Diode with charge dynamics and **Reverse recovery time parameterization** to Specify stretch factor.

Reverse recovery charge, Q_{rr} – Reverse recovery charge

1500 s* μ A (default) | scalar

Value that the block uses to calculate **Reverse recovery time, t_{rr}** . Use this parameter if the data sheet for your diode specifies a value for the reverse recovery charge instead of a value for the reverse recovery time.

The reverse recovery charge is the total charge that continues to dissipate when the diode turns off.

The value must be less than $-\frac{i_{RM}^2}{2a}$, where:

- i_{RM} is the value specified for **Peak reverse current, i_{RM}** .
- a is the value specified for **Rate of change of current when measuring i_{RM}** .

Dependencies

To enable this parameter, set **Model dynamics** to Diode with charge dynamics and **Reverse recovery time parameterization** to Specify reverse recovery charge.

Snubbers

To enable the **Snubbers** settings, set **Fidelity level** to Detailed model - switching devices and **Switching device** to GTO, Ideal Semiconductor Switch, IGBT, M0FSET, or Thyristor.

Snubber — Snubber

None (default) | RC snubber

Snubber for each switching device:

- None
- RC snubber

Snubber resistance — Snubber resistance

0.1 Ohm (default) | scalar

Snubber resistance.

Dependencies

To enable this parameter, set **Snubber** to RC snubber.

Snubber capacitance — Snubber capacitance

1e-7 F (default) | scalar

Snubber capacitance.

Dependencies

To enable this parameter, set **Snubber** to RC snubber.

References

- [1] Saad, Hani, Sebastien Denetiere, and Jean Mahseredjian. "On Modelling of MMC in EMT-Type Program." 2016 IEEE 17th Workshop on Control and Modeling for Power Electronics (COMPEL), 1-7. Trondheim, Norway: IEEE, 2016. <https://doi.org/10.1109/COMPEL.2016.7556717>.

Extended Capabilities

C/C++ Code Generation

Generate C and C++ code using Simulink® Coder™.

See Also

Boost Converter | PWM Generator (Multilevel) | Modular Multilevel Converter Arm | Modular Multilevel Converter Leg | Average-Value DC-DC Converter | Bidirectional DC-DC Converter | Buck

Converter | Buck-Boost Converter | Converter (Three-Phase) | GTO | IGBT (Ideal, Switching) | Ideal Semiconductor Switch | MOSFET (Ideal, Switching) | PWM Generator | PWM Generator (Three-phase, Two-level) | Three-Level Converter (Three-Phase) | Thyristor (Piecewise Linear)

Introduced in R2020b

Monostable Flip-Flop

Raising edge, falling edge, either edge monostable flip-flop

Library: Simscape / Electrical / Control / General Control



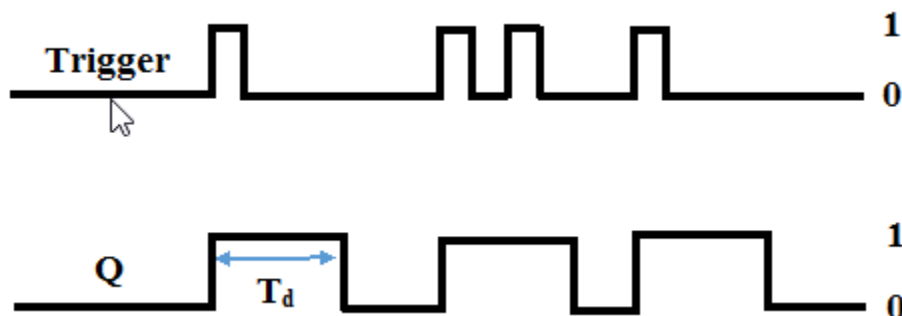
Description

The Monostable Flip-Flop (or monostable multivibrator) block generates a single output pulse of a specified duration when it is triggered externally. The external trigger is a Boolean signal. Pulse generation is triggered when a change is detected in the external trigger signal. The change detection can be:

- Rising edge
- Falling edge
- Either edge

When the output is true, a change in the external trigger signal has no effect.

The operation of a monostable flip-flop is represented in the following figure:



Ports

Input

Trigger – Flip-flop trigger

0 | 1

Input trigger signal to the flip-flop.

Data Types: Boolean

Output

Q — Flip-flop output

0 | 1

Flip-flop output signal.

Data Types: Boolean

Parameters

Change detection — Change in trigger signal

Rising edge (default) | Falling edge | Either edge

Change detection strategy for output pulse generation.

Initial condition — Flip-flop initial condition

0 (default) | scalar

The initial condition of the flip-flop.

Pulse duration (s) — Output pulse duration

0.01 (default) | positive scalar

Duration of the output pulse, in s.

Sample time — Block sample time

0.001 (default) | 0 | positive scalar

Time between consecutive block executions. During execution, the block produces outputs and, if appropriate, updates its internal state. For more information, see “What Is Sample Time?” and “Specify Sample Time”.

For discrete-time operation, set the sample time to a positive value. For continuous-time operation, set the sample time to 0.

If this block is in a masked subsystem, or other variant subsystem that allows either continuous and discrete operation, promote the sample time parameter. Promoting the sample time parameter ensures correct switching between the continuous and discrete implementations of the block. For more information, see “Promote Parameter to Mask”.

Extended Capabilities

C/C++ Code Generation

Generate C and C++ code using Simulink® Coder™.

See Also

Blocks

Change Detector | Set-Reset Flip-Flop | Signal Sample and Hold

Introduced in R2018b

MOSFET (Ideal, Switching)

Ideal N-channel MOSFET for switching applications

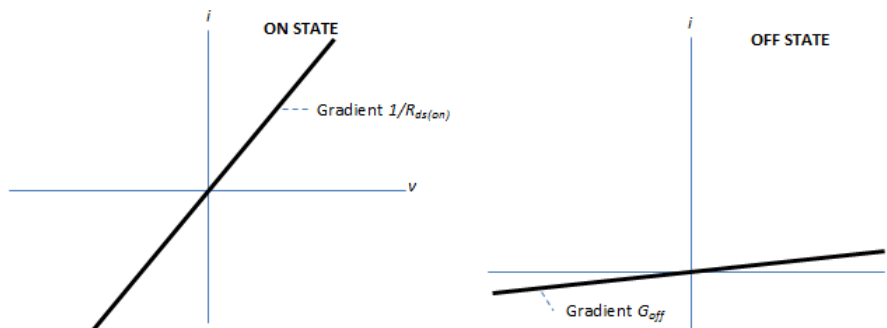
Library: Simscape / Electrical / Semiconductors & Converters



Description

The MOSFET (Ideal, Switching) block models the ideal switching behavior of an n-channel metal-oxide-semiconductor field-effect transistor (MOSFET).

The switching characteristic of an n-channel MOSFET is such that if the gate-source voltage exceeds the specified threshold voltage, the MOSFET is in the on state. Otherwise, the device is in the off state. This figure shows a typical i-v characteristic:



To define the I-V characteristic of the MOSFET, set the **On-state behaviour and switching losses** parameter to either **Specify constant values** or **Tabulate with temperature and current**. The **Tabulate with temperature and current** option is available only if you expose the thermal port of the block.

In the on state, the drain-source path behaves like a linear resistor with resistance, $R_{ds\ on}$. However, if you expose the thermal port of the block and parameterize the device using tabulated I-V data, the tabulated resistance is a function of the temperature and current.

In the off state, the drain-source path behaves like a linear resistor with low off-state conductance, G_{off} .

The defining Simscape equations for the block are:

```
if G > Vth      v == i*Rds_on;      else      v == i/Goff;      end
```

where:

- G is the gate-source voltage.
- V_{th} is the threshold voltage.

- v is the drain-source voltage.
- i is the drain-source current.
- R_{ds_on} is the on-state resistance.
- G_{off} is the off-state conductance.

Using the **Integral Diode** settings, you can include the body diode or an integral protection diode. The integral diode provides a conduction path for reverse current. For example, to provide a path for a high reverse-voltage spike that is generated when a semiconductor device suddenly switches off the voltage supply to an inductive load.

Set the **Integral protection diode** parameter based on your goal.

Goal	Value to Select	Block Behavior
Prioritize simulation speed.	Protection diode with no dynamics	The block includes an integral copy of the Diode block. To parameterize the internal Diode block, use the Protection parameters.
Precisely specify reverse-mode charge dynamics.	Protection diode with charge dynamics	The block includes an integral copy of the dynamic model of the Diode block. To parameterize the internal Diode block, use the Protection parameters.

Modeling Variants

The block provides four modeling variants. To select the desired variant, right-click the block in your model. From the context menu, select **Simscape > Block choices**, and then one of these variants:

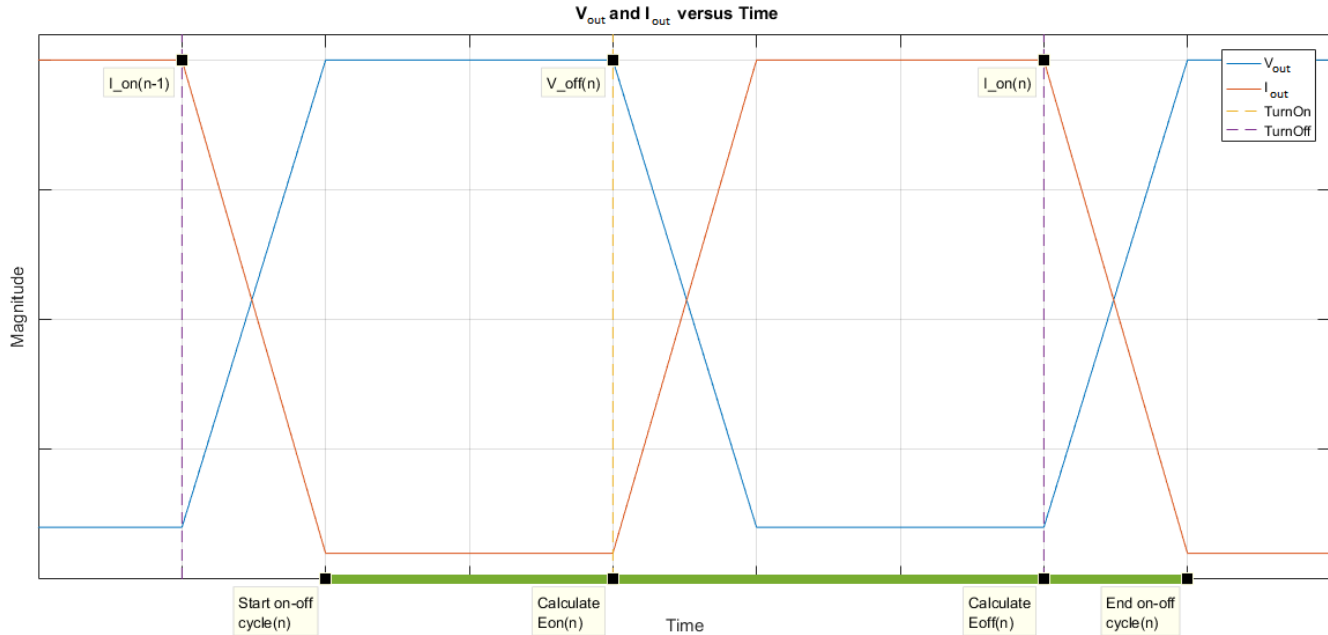
- **PS Control Port** — Contains a physical signal port that is associated with the gate terminal. This variant is the default.
- **Electrical Control Port** — Contains an electrical conserving port that is associated with the gate terminal.
- **PS Control Port | Thermal Port** — Contains a thermal port and a physical signal port that is associated with the gate terminal.
- **Electrical Control Port | Thermal Port** — Contains a thermal port and an electrical conserving port that is associated with the gate terminal.

The variants of this block without the thermal port do not simulate heat generation in the device.

The variants with the thermal port allow you to model the heat that switching events and conduction losses generate. The thermal port is hidden by default. To enable the thermal port, select a thermal block variant.

Thermal Losses

The figure shows an idealized representation of the output voltage, V_{out} , and the output current, I_{out} , of the semiconductor device. The interval shown includes the entire n^{th} switching cycle, during which the block turns off and then on.



Switching losses are one of the main sources of thermal loss in semiconductors. During each on-off switching transition, the MOSFET parasitics store and then dissipate energy.

Switching losses depend on the off-state voltage and the on-state current. When a switching device is turned on, the power losses depend on the initial off-state voltage across the device and the final on-state current once the device is fully in its on state. Similarly, when a switching device is turned off, the power losses depend on the initial on-state current through the device and the final off-state voltage across the device when in the fully off state.

In this block, switching losses are applied to the attached thermal network using a first-order time constant, resulting in smooth change in temperature of the junction thermal mass. The **Switch-on loss, $E_{on}(T_j, I_{ds})$** and **Switch-off loss, $E_{off}(T_j, I_{ds})$** parameter values set the sizes of the switching losses and they are either fixed or dependent on junction temperature and drain-source current. In both cases, losses are scaled by the off-state voltage prior to the latest device turn-on event.

Note As the final current after a switching event is not known during the simulation, the block records the on-state current at the point that the device is commanded off. Similarly, the block records the off-state voltage at the point that the device is commanded on. For this reason, the simlog does not report the switching losses to the thermal network until one switching cycle later.

For all ideal switching devices, the switching losses are reported as `lastTurnOffLoss` and `lastTurnOnLoss` and plotted as a pulse with amplitude equal to the energy loss. If you use a script to sum the total losses over a defined simulation period, you must sum the number of pulses scaled off the reported switching loss.

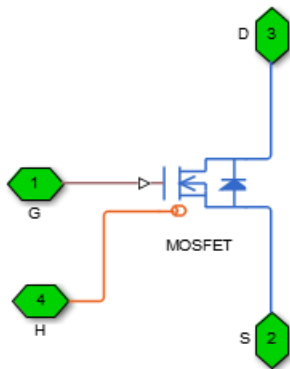
Variables

The **Variables** settings allow you to specify the priority and initial target values for block variables before simulation. For more information, see “Set Priority and Initial Target for Block Variables”.

To enable the **Variables** settings for this block, set the variant to **PS Control Port | Thermal Port** or **Electrical Control Port | Thermal Port**.

Ports

The figure shows the block port names.



Conserving

G – Gate terminal

electrical

Port associated with the gate terminal. You can set the port to either a physical signal or electrical port.

S – Source terminal

electrical

Electrical conserving port associated with the source terminal.

D – Drain terminal

electrical

Electrical conserving port associated with the drain terminal.

H – Thermal port

thermal

Thermal conserving port. The thermal port is optional and is hidden by default. To enable this port, select a variant that includes a thermal port.

Parameters

Main

This table shows how the visibility of **Main** parameters depends on how you configure the **Block choice** and **On-state behavior and switching losses** parameters. To learn how to read this table, see “Parameter Dependencies” on page A-2.

Main Parameter Dependencies

Parameters and Options		
Block choice		
<i>PS control port</i> or <i>Electrical control port</i>	<i>PS control port Thermal port</i> or <i>Electrical control port Thermal port</i>	
Drain-source on resistance, R_DS(on)	Threshold voltage, Vth	
Off-state conductance	On-state behaviour and switching losses	
	<i>Specify constant values</i>	<i>Tabulate with temperature and current</i>
Threshold voltage, Vth	Drain-source on resistance, R_DS(on)	On-state voltage, Vds(Tj,Ids)
	Off-state conductance	Off-state conductance
	Switch-on loss	Switch-on loss, Eon(Tj,Ids)
	Switch-off loss	Switch-off loss, Eoff(Tj,Ids)
	Off-state voltage for switching loss data	Temperature vector, Tj
	On-state current for switching loss data	Drain-source current vector, Ids
		Off-state voltage for switching loss data
	Energy dissipation time constant	Energy dissipation time constant

On-state behaviour and switching losses – On-state current for switching loss data

Specify constant values (default) | Tabulate with temperature and current

Select a parameterization method. The option that you select determines which other parameters are enabled. Options are:

- *Specify constant values* – Use scalar values to specify the output current, switch-on loss, and switch-off loss data. This is the default parameterization method.
- *Tabulate with temperature and current* – Use vectors to specify the output current, switch-on loss, switch-off loss, and temperature data.

Dependencies

See the Main Parameter Dependencies table.

Drain-source on resistance, $R_{DS(on)}$ — Drain-source on resistance

0.01 Ohm (default)

Drain-source resistance when the device is on.

Dependencies

See the Main Parameter Dependencies table.

Off-state conductance — Off-state conductance

1e-6 1/Ohm (default)

Drain-source conductance when the device is off. The value must be less than $1/R$, where R is the value of **On-state resistance**.

Dependencies

See the Main Parameter Dependencies table.

Threshold voltage, V_{th} — Threshold voltage

2 V (default)

Gate-source voltage threshold. The device turns on when the gate-source voltage is above this value.

Dependencies

See the Main Parameter Dependencies table.

Switch-on loss — Switch-on loss

0.02286 J (default)

Energy dissipated during a single switch-on event. This parameter is defined as a function of temperature and final on-state output current. Specify this parameter using a scalar quantity.

Dependencies

See the Main Parameter Dependencies table.

Switch-off loss — Switch-off loss

0.01714 J (default)

Energy dissipated during a single switch-off event. This parameter is defined as a function of temperature and final on-state output current. Specify this parameter using a scalar quantity.

Dependencies

See the Main Parameter Dependencies table.

Off-state voltage for switching loss data — Off-state voltage for losses data

300 V (default)

The output voltage of the device during the off state. This is the blocking voltage at which the switch-on loss and switch-off loss data are defined.

Dependencies

See the Main Parameter Dependencies table.

On-state current for switching loss data – Output current

600 A (default)

Output currents for which the switch-on loss, switch-off loss, and on-state voltage are defined. The first element must be zero. Specify this parameter using a scalar quantity.

Dependencies

See the Main Parameter Dependencies table.

On-state voltage, $V_{ds}(T_j, I_{ds})$ – On-state voltage

[0, 1.1, 1.3, 1.45, 1.75, 2.25, 2.7; 0, 1, 1.15, 1.35, 1.7, 2.35, 3] V (default)

Voltage drop across the device while it is in a triggered conductive state. This parameter is defined as a function of temperature and final on-state output current. Specify this parameter using a vector quantity.

Dependencies

See the Main Parameter Dependencies table.

Switch-on loss, $E_{on}(T_j, I_{ds})$ – Switch-on loss

[0 2.9e-4 0.00143 0.00286 0.00571 0.01314 0.02286; 0 5.7e-4 0.00263 0.00514 0.01029 0.02057 0.03029] J (default)

Energy dissipated during a single switch on event. This parameter is defined as a function of temperature and final on-state output current. Specify this parameter using a vector quantity.

Dependencies

See the Main Parameter Dependencies table.

Switch-off loss, $E_{off}(T_j, I_{ds})$ – Switch-off loss

[0, .21, 1.07, 2.14, 4.29, 9.86, 17.14; 0, .43, 1.97, 3.86, 7.71, 15.43, 22.71] * 1e-3 J (default)

Energy dissipated during a single switch-off event. This parameter is defined as a function of temperature and final on-state output current. Specify this parameter using a vector quantity.

Dependencies

See the Main Parameter Dependencies table.

Temperature vector, T_j – Temperature vector

[298.15, 398.15] K (default)

Temperature values at which the switch-on loss, switch-off loss, and on-state voltage are specified. Specify this parameter using a vector quantity.

Dependencies

See the Main Parameter Dependencies table.

Drain-source current vector, I_{ds} – Drain-source current vector

[0 10 50 100 200 400 600] A (default)

Drain-source currents for which the switch-on loss, switch-off loss and on-state voltage are defined. The first element must be zero. Specify this parameter using a vector quantity.

Dependencies

See the Main Parameter Dependencies table.

Energy dissipation time constant – Time constant

1e-4 s (default)

First-order time lag with which instantaneous switching losses smoothly raise the junction temperature. This value is equal to the period of the minimum switching frequency.

Dependencies

See the Main Parameter Dependencies table.

Integral Diode**Integral protection diode – Protection diode**

Protection diode with no dynamics (default) | None | Protection diode with charge dynamics

Block integral protection diode. The default value is Protection diode with no dynamics.

The diodes you can select are:

- Protection diode with no dynamics
- Protection diode with charge dynamics

Diode model – Diode model

Piecewise Linear (default) | Tabulated I-V curve

Select one of these diode models:

- Piecewise Linear — Use a piecewise linear model for the diode, as described in “Piecewise Linear Diode” on page 1-370. This is the default method.
- Tabulated I-V curve — Use tabulated forward bias I-V data plus fixed reverse bias off conductance.

Dependencies

This parameter is visible only when the thermal port is exposed and the **Integral protection diode** parameter is set to Protection diode with no dynamics or Protection diode with charge dynamics.

Forward voltage – Forward voltage

0.8 V (default)

Minimum voltage required across the + and - block ports for the gradient of the diode I-V characteristic to be $1/R_{on}$, where R_{on} is the value of **On resistance**.

Dependencies

To enable this parameter:

- If the thermal port is hidden, set **Integral protection diode** to Protection diode with no dynamics or Protection diode with charge dynamics.

- If the thermal port is exposed, set **Integral protection diode** to Protection diode with no dynamics or Protection diode with charge dynamics and **Diode model** to Piecewise linear.

On resistance — On resistance

0.001 Ohm (default)

Rate of change of voltage versus current above the **Forward voltage**.

Dependencies

To enable this parameter:

- If the thermal port is hidden, set **Integral protection diode** to Protection diode with no dynamics or Protection diode with charge dynamics.
- If the thermal port is exposed, set **Integral protection diode** to Protection diode with no dynamics or Protection diode with charge dynamics and **Diode model** to Piecewise linear.

Forward currents, $I_f(T_j, V_f)$ — Vector of forward currents

[.07, .12, .19, 1.75, 4.24, 7.32, 11.2; .16, .3, .72, 2.14, 4.02, 6.35, 9.12] A (default) | nonnegative vector

Forward currents. This parameter must be a vector of at least three nonnegative elements.

Dependencies

To enable this parameter, expose the thermal port and set **Diode model** to Tabulated I-V curve.

Junction temperatures, T_j — Vector of junction temperatures

[25, 125] degC (default)

Vector of junction temperatures. This parameter must be a vector of at least two elements.

Dependencies

To enable this parameter, expose the thermal port and set **Diode model** to Tabulated I-V curve.

Forward voltages, V_f — Vector of forward voltages

[.5, .7, .9, 1.3, 1.7, 2.1, 2.5] V (default)

Vector of forward voltages. This parameter must be a vector of at least three nonnegative values.

Dependencies

To enable this parameter, expose the thermal port and set **Diode model** to Tabulated I-V curve.

Off conductance — Off conductance

1e-5 1/Ohm (default)

Conductance of the reverse-biased diode.

Dependencies

This parameter is visible only when the **Integral protection diode** parameter is set to Protection diode with no dynamics or Protection diode with charge dynamics.

Junction capacitance — Junction capacitance

50e-9 F (default)

Diode junction capacitance.

Dependencies

This parameter is visible only when the **Integral protection diode** parameter is set to Protection diode with charge dynamics.

Peak reverse current, i_{RM} — Peak reverse current

-235 A (default) | negative scalar

Peak reverse current measured by an external test circuit. This value must be less than zero. The default value is -235 A.

Dependencies

This parameter is visible only when the **Integral protection diode** parameter is set to Protection diode with charge dynamics.

Initial forward current when measuring i_{RM} — Initial forward current when measuring i_{RM}

300 A (default) | positive scalar

Initial forward current when measuring peak reverse current. This value must be greater than zero.

Dependencies

This parameter is visible only when the **Integral protection diode** parameter is set to Protection diode with charge dynamics.

Rate of change of current when measuring i_{RM} — Rate of change of current when measuring i_{RM} -50A/ μ s (default) | negative scalar

Rate of change of current when measuring peak reverse current. This value must be less than zero.

Dependencies

This parameter is visible only when the **Integral protection diode** parameter is set to Protection diode with charge dynamics.

Reverse recovery time parameterization — Reverse recovery time parameterization

Specify reverse recovery time directly (default) | Specify stretch factor | Specify reverse recovery charge

Determines how you specify reverse recovery time in the block. The default value is Specify reverse recovery time directly.

If you select Specify stretch factor or Specify reverse recovery charge, you specify a value that the block uses to derive the reverse recovery time. For more information on these options, see “How the Block Calculates T_M and τ ” on page 1-374.

Dependencies

This parameter is visible only when the **Integral protection diode** parameter is set to Protection diode with charge dynamics.

Reverse recovery time, trr — Reverse recovery time15 μs (default)

Interval between the time when the current initially goes to zero (when the diode turns off) and the time when the current falls to less than 10% of the peak reverse current. The value of the **Reverse recovery time, trr** parameter must be greater than the value of the **Peak reverse current, iRM** parameter divided by the value of the **Rate of change of current when measuring iRM** parameter.

Dependencies

This parameter is visible only when the **Integral protection diode** parameter is set to Protection diode with charge dynamics and the **Reverse recovery time parameterization** parameter is set to Specify reverse recovery time directly.

Reverse recovery time stretch factor — Reverse recovery time stretch factor

3 (default)

Value that the block uses to calculate **Reverse recovery time, trr**. This value must be greater than 1. Specifying the stretch factor is an easier way to parameterize the reverse recovery time than specifying the reverse recovery charge. The larger the value of the stretch factor, the longer it takes for the reverse recovery current to dissipate.

Dependencies

This parameter is visible only when the **Integral protection diode** parameter is set to Protection diode with charge dynamics and the **Reverse recovery time parameterization** parameter is set to Specify stretch factor.

Reverse recovery charge, Qrr — Reverse recovery charge1500 μAs (default)

Value that the block uses to calculate **Reverse recovery time, trr**. Use this parameter if the data sheet for your diode device specifies a value for the reverse recovery charge instead of a value for the reverse recovery time.

The reverse recovery charge is the total charge that continues to dissipate when the diode turns off.

The value must be less than $-\frac{i_{RM}^2}{2a}$,

where:

- i_{RM} is the value specified for **Peak reverse current, iRM**.
- a is the value specified for **Rate of change of current when measuring iRM**.

Dependencies

This parameter is visible only when the **Integral protection diode** parameter is set to Protection diode with charge dynamics and the **Reverse recovery time parameterization** parameter is set to Specify reverse recovery charge.

For more information on these parameters, see Diode.

Thermal Port

Use the thermal port to simulate the effects of generated heat and device temperature. For more information on using thermal ports and on the **Thermal Port** parameters, see “Simulating Thermal Effects in Semiconductors”.

Compatibility Considerations

Update on switching losses and thermal modelling options

Behavior changed in R2020b

From R2020b forward, the MOSFET (Ideal, Switching) block has improved losses and thermal modelling options.

As a result of these changes:

- The **Energy dissipation time constant** parameter is no longer used. A step in junction temperature now reflects the switching losses. If your model contains a thermal mass directly connected to this block thermal port, remove it and model the thermal mass inside the component itself.
- Electrical and thermal on-state losses are now always identical. The **Thermal loss dependent on** parameter and its options, **Voltage and current** and **Voltage, current, and temperature**, have been renamed to **On-state behavior and switching losses**, **Specify constant values**, and **Tabulate with temperature and current**:
 - If you selected **Voltage and current** for **Thermal loss dependent on**, then the electrical on-state losses are unchanged and their values are determined using the on-state resistance. However, the thermal on-state losses are now also determined by the on-state resistance. Prior to R2020b, the thermal on-state losses were defined by the product of the **On-state voltage** and **Output current, Iout** parameters.
 - If you selected **Voltage, current, and temperature** for **Thermal loss dependent on**, then the thermal on-state losses are unchanged and the **On-state voltage, Vds(Tj,Ids)** parameter sets their values. However, the electrical on-state losses are now equal to the thermal on-state losses. Prior to R2020b, the electrical on-state losses were defined by the value of the on-state resistance.
- The **On-state voltage** parameter is no longer used.

Extended Capabilities

C/C++ Code Generation

Generate C and C++ code using Simulink® Coder™.

See Also

Diode | GTO | IGBT (Ideal, Switching) | Ideal Semiconductor Switch | N-Channel MOSFET | P-Channel MOSFET | Thyristor (Piecewise Linear)

Topics

“Simulating Thermal Effects in Semiconductors”

“Switch Between Physical Signal and Electrical Ports”

Introduced in R2013b

Moving Average

Moving average-value computation

Library: Simscape / Electrical / Control / General Control



Description

The Moving Average block computes the moving average value of the input signal. Use this block to filter higher frequency signal components and to smooth noisy signals.

Equations

The moving average is computed based on a moving time window. The moving average for continuous-time is calculated as

$$\bar{u} = \frac{1}{T_0} \int_{t_0}^{t_0 + T_0} u(t) dt,$$

where:

- $u(t)$ is the input signal,
- $\frac{1}{f}$
- f is the fundamental frequency of the signal.

The moving average for discrete-time is calculated as:

$$\bar{u}(k) = \frac{1}{T_0} \sum_{i=0}^{n-1} u(k-i).$$

Assumptions

- The output is initialized with the initial condition in the time interval $[0, T_0]$

Ports

Input

u — Moving average input

scalar | vector

Input signal.

Data Types: single | double

Output

Mean — Moving average output

scalar | vector

Moving average of the input signal.

Data Types: `single` | `double`

Parameters

Fundamental frequency (Hz) — Signal fundamental frequency

60 (default) | positive scalar | vector with positive values

Fundamental frequency of the signal, in Hz. If you specify the fundamental frequency using a vector, it must match the input vector dimension.

Initial value — Initial input signal value

0 (default) | scalar

The initial value of the input signal.

Sample time (-1 for inherited) — Block sample time

-1 (default) | 0 | positive scalar

Time between consecutive block executions. During execution, the block produces outputs and, if appropriate, updates its internal state. For more information, see “What Is Sample Time?” and “Specify Sample Time”.

For inherited discrete-time operation, specify -1. For discrete-time operation, specify a positive integer. For continuous-time operation, specify 0.

If this block is in a masked subsystem, or other variant subsystem that allows you to switch between continuous operation and discrete operation, promote the sample time parameter. Promoting the sample time parameter ensures correct switching between the continuous and discrete implementations of the block. For more information, see “Promote Parameter to Mask”.

Extended Capabilities

C/C++ Code Generation

Generate C and C++ code using Simulink® Coder™.

See Also

Blocks

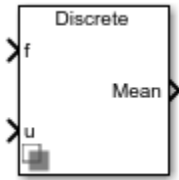
Fourier Analysis | Signal Sample and Hold

Introduced in R2018b

Moving Average (Variable Frequency)

Variable frequency moving average-value computation

Library: Simscape / Electrical / Control / General Control



Description

The Moving Average (Variable Frequency) block computes the moving average value of an input signal of variable frequency. Use this block to filter higher frequency signal components and to smooth noisy signals.

Equations

The moving average is computed based on a moving time window. The moving average for continuous-time is calculated as

$$\bar{u} = \frac{1}{T_0} \int_{t_0}^{t_0 + T_0} u(t) dt,$$

where:

- $u(t)$ is the input signal.
- T_0 is equal to $\frac{1}{f}$
- f is the fundamental frequency of the signal.

The moving average for discrete-time is calculated as:

$$\bar{u}(k) = \frac{1}{T_0} \sum_{i=0}^{n-1} u(k-i).$$

Assumptions and Limitations

The output is initialized with an initial condition in the time interval $[0, T_0]$.

Ports

Input

u – Moving average input

scalar | vector

Moving average input, specified as a scalar or vector.

Data Types: `single` | `double`

f — Frequency, Hz

scalar | vector

Frequency, specified as a scalar or vector in Hz.

Data Types: `single` | `double`

Output

Mean — Moving average output

scalar | vector

Moving average of the input signal, returned as a scalar or vector.

Data Types: `single` | `double`

Parameters

Initial frequency (Hz) — Initial signal frequency

60 (default) | positive scalar | vector with positive values

Initial frequency of the signal, in Hz. If you specify the initial frequency using a vector, it must match the dimensions of the input vector.

Minimum frequency (Hz) — Minimum signal frequency

30 (default) | positive scalar | vector with positive values

Minimum frequency of the signal, in Hz. If you specify the minimum frequency using a vector, it must match the dimensions of the input vector.

Initial value — Initial input signal value

0 (default) | scalar

Initial value of the input signal.

Sample time (-1 for inherited) — Block sample time

-1 (default) | 0 | positive scalar

Time between consecutive block executions. During execution, the block produces outputs and, if appropriate, updates its internal state. For more information, see “What Is Sample Time?” and “Specify Sample Time”.

For inherited discrete-time operation, specify -1. For discrete-time operation, specify a positive integer. For continuous-time operation, specify 0.

If this block is in a masked subsystem, or other variant subsystem that allows you to switch between continuous operation and discrete operation, promote the sample time parameter. Promoting the sample time parameter ensures correct switching between the continuous and discrete implementations of the block. For more information, see “Promote Parameter to Mask”.

Extended Capabilities

C/C++ Code Generation

Generate C and C++ code using Simulink® Coder™.

See Also

Blocks

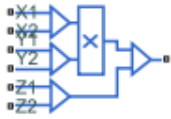
Fourier Analysis | Moving Average | Signal Sample and Hold

Introduced in R2020a

Multiplier

Integrated circuit multiplier

Library: Simscape / Electrical / Integrated Circuits



Description

The Multiplier block models an integrated circuit multiplier. The block implements the following equation, which defines the voltage applied to the output port:

$$V_{out} = A \left(\frac{(X_1 - X_2)(Y_1 - Y_2)}{K} - (Z_1 - Z_2) \right)$$

where X_1 , X_2 , Y_1 , Y_2 , Z_1 , Z_2 are the voltages presented at the input ports, A is the gain, and K is the scale factor.

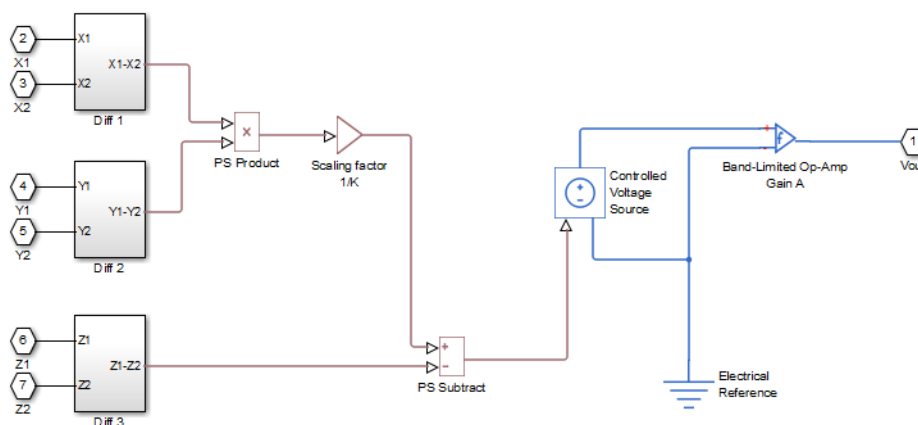
In a typical multiplication circuit, the output is fed back into input Z_1 , which results in the following gain (assuming that A is large):

$$V_{out} = \left(\frac{(X_1 - X_2)(Y_1 - Y_2)}{K} + Z_2 \right)$$

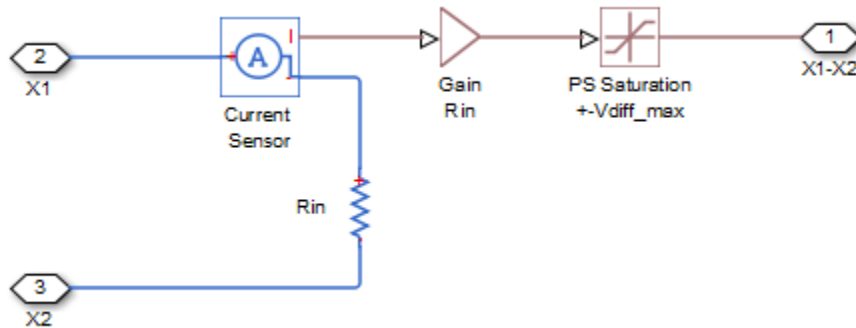
The value of the scale factor K is usually altered by an external resistor bias network. The Multiplier block implements K as an internal gain, and the external bias network is not necessary for system simulation. A typical value for K is 10, with a typical adjustment down to 3.

You can use the Multiplier block to implement a number of other functions, as well as multiplication. Examples include division, squares, and square roots. For example circuits, consult manufacturer datasheets.

The following figure shows the internal model structure of the Multiplier block. It includes the Band-Limited Op-Amp block to model finite bandwidth and slew-rate limiting.



The next figure shows one of the differential subsystem blocks. All three differential subsystem blocks are identical in structure.



Assumptions and Limitations

- Only differential limiting of the inputs is implemented. You must ensure that the absolute values of the inputs you use keep the actual device operating in its linear region.
- Output current is such that the integrated circuit is operating in the linear I-V region, which can be approximated by a voltage source plus a series output resistance.
- Input offset voltage is not modeled, and the input voltage-current relationship is treated as linear within the differential signal voltage range.

Ports

Conserving

X1 – X-input non-inverting input

electrical

Electrical conserving port associated with the multiplier X1 non-inverting input.

X2 – X-input inverting input

electrical

Electrical conserving port associated with the multiplier X2 inverting input.

Y1 – Y-input non-inverting input

electrical

Electrical conserving port associated with the multiplier Y1 non-inverting input.

Y2 – Y-input inverting input

electrical

Electrical conserving port associated with the multiplier Y2 inverting input.

Z1 – Z-input non-inverting input

electrical

Electrical conserving port associated with the multiplier Z1 non-inverting input.

Z2 – Z-input inverting input

electrical

Electrical conserving port associated with the multiplier Z2 inverting input.

~ – Multiplied output signal

electrical

Electrical conserving port associated with the multiplier output port.

Parameters**Main****Scaling factor, K – Scaling factor**

10 V (default)

The scaling factor K in the equation that defines output voltage. Datasheets sometimes refer to it as the scale factor, or SF.

Gain, A – Gain

3000 (default)

The gain of the internal operational amplifier, corresponding to the gain A in the equation that defines output voltage.

Inputs**Differential resistance, Rin – Differential resistance**

10e6 Ohm (default)

Each of the differential inputs is approximated as a linear resistor with value R_{in} . Set this value to the datasheet value for differential resistance.

Differential signal voltage range – Differential signal voltage range

10 V (default)

This value, V_{diff_max} , is used to limit the magnitude of each of the three differential input voltages. Set this value to the datasheet value for differential signal voltage range.

Outputs**Output resistance, Rout – Output resistance**

0.1 Ohm (default)

The multiplier output stage is modeled as a voltage source plus series resistor inside the Band-Limited Op-Amp block. This parameter specifies the value of this series resistor.

Minimum output, Vmin – Minimum output

-11 V (default)

The lower limit of the output voltage.

Maximum output, Vmax – Maximum output

11 V (default)

The upper limit of the output voltage.

Maximum slew rate, Vdot — Maximum slew rate

20 V/us (default)

The maximum positive or negative rate of change of output voltage magnitude.

Bandwidth, f — Bandwidth

1 MHz (default)

The bandwidth of the Band-Limited Op-Amp block.

Initial output voltage, V0 — Initial output voltage

0 V (default)

The value of the initial Multiplier block output if the **Start simulation from steady-state** option is not selected in the Solver block.

Extended Capabilities**C/C++ Code Generation**

Generate C and C++ code using Simulink® Coder™.

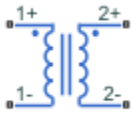
See Also

Introduced in R2010b

Mutual Inductor

Mutual inductor model with nominal inductance optional tolerances for each winding, operating limits and faults

Library: Simscape / Electrical / Passive / Transformers



Description

The Mutual Inductor block lets you model a mutual inductor (two-winding transformer) with nominal inductance tolerances for each winding. The model includes the following effects:

- “Tolerances” on page 1-851
- “Operating Limits” on page 1-852
- “Faults” on page 1-852

You can turn these modeling options on and off independently of each other.

In the unfaulted state, the following equations describe the Mutual Inductor block behavior:

$$v_1 = L_1 \frac{di_{L1}}{dt} + M \frac{di_{L2}}{dt} + i_{L1} R_1$$

$$v_2 = L_2 \frac{di_{L2}}{dt} + M \frac{di_{L1}}{dt} + i_{L2} R_2$$

$$M = k \sqrt{L_1 L_2}$$

where:

- v_1 and v_2 are voltages across the primary and secondary winding, respectively.
- L_1 and L_2 are inductances of the primary and secondary winding.
- R_1 and R_2 are series resistances of the primary and secondary winding.
- M is mutual inductance.
- k is coefficient of coupling. To reverse one of the winding directions, use a negative value.
- t is time.

A parallel conductance is placed across the + and - terminals of the primary and secondary windings, so that $i_{L1} = i_1 - G_1 v_1$, where G_1 is the parallel conductance of the primary winding, and i_1 is the terminal current into the primary. Similar definitions and equation apply to i_{L2} .

Tolerances

You can apply tolerances separately for each winding. Datasheets typically provide a tolerance percentage for a given inductor type. Therefore, this value is the same for both windings. The table

shows how the block applies tolerances to the nominal inductance value and calculates inductance based on the selected tolerance application option for the winding, **L1 tolerance application** or **L2 tolerance application**.

Option	Inductance Value
None – use nominal value	L
Random tolerance	Uniform distribution: $L \cdot (1 - tol + 2 \cdot tol \cdot rand)$ Gaussian distribution: $L \cdot (1 + tol \cdot randn / nSigma)$
Apply maximum tolerance value	$L \cdot (1 + tol)$
Apply minimum tolerance value	$L \cdot (1 - tol)$

In the table:

- L is nominal inductance for the primary or secondary winding, **Inductance L1** or **Inductance L2** parameter value.
- tol is fractional tolerance, **Tolerance (%)** /100.
- $nSigma$ is the value you provide for the **Number of standard deviations for quoted tolerance** parameter.
- $rand$ and $randn$ are standard MATLAB functions for generating uniform and normal distribution random numbers.

Note If you choose the Random tolerance option and you are in "Fast Restart" mode, the random tolerance value is updated on every simulation if at least one between the fractional tolerance, tol , or the **Number of standard deviations for quoted tolerance**, $nSigma$, is set to Run-time and is defined with a variable (even if you do not modify that variable).

Operating Limits

Inductors are typically rated with a particular saturation current, and possibly with a maximum allowable power dissipation. You can specify operating limits in terms of these values, to generate warnings or errors if the inductor is driven outside its specification.

When an operating limit is exceeded, the block can either generate a warning or stop the simulation with an error. For more information, see the "Operating Limits" on page 1-856 parameters section.

Faults

Instantaneous changes in inductor parameters are unphysical. Therefore, when the Mutual Inductor block enters the faulted state, short-circuit and open-circuit voltages transition to their faulted values over a period of time based on this formula:

$$CurrentValue = FaultedValue - (FaultedValue - UnfaultedValue) \cdot \operatorname{sech}(\Delta t / \tau)$$

where:

- Δt is time since the onset of the fault condition.
- τ is user-defined time constant associated with the fault transition.

For short-circuit faults, the conductance of the short-circuit path also changes according to the $\text{sech}(\Delta t / \tau)$ function from a small value (representing an open-circuit path) to a large value.

The Mutual Inductor block lets you select whether the faults occur in the primary or secondary winding. The block models the faulted winding as a faulted inductor. The unfaulted winding is coupled to the faulted winding. As a result, the actual equations involve a total of three coupled windings: two for the faulted winding and one for the unfaulted winding. The coupling between the primary and secondary windings is defined by the **Coefficient of coupling** parameter.

The block can trigger the start of fault transition:

- At a specific time
- After voltage exceeds the maximum permissible value a certain number of times
- When current exceeds the maximum permissible value for longer than a specific time interval

You can enable or disable these trigger mechanisms separately, or use them together if more than one trigger mechanism is required in a simulation. When more than one mechanism is enabled, the first mechanism to trigger the fault transition takes precedence. In other words, a component fails no more than once per simulation.

You can also choose whether to issue an assertion when a fault occurs by using the **Reporting when a fault occurs** parameter. The assertion can take the form of a warning or an error. By default, the block does not issue an assertion.

Faultable inductors often require that you use the fixed-step local solver, rather than the variable-step solver. In particular, if you model transitions to a faulted state that include short circuits, MathWorks recommends that you use the fixed-step local solver. For more information, see “Making Optimal Solver Choices for Physical Simulation”.

Variables

Use the **Variables** section of the block interface to set the priority and initial target values for the block variables prior to simulation. For more information, see “Set Priority and Initial Target for Block Variables”.

The **Primary current** and **Secondary current** variables let you specify a high-priority target for the initial inductor current in the respective winding at the start of simulation.

Ports

Conserving

1+ — Positive terminal of the primary winding

electrical

Electrical conserving port associated with the primary winding positive terminal.

1- — Negative terminal of the primary winding

electrical

Electrical conserving port associated with the primary winding negative terminal.

2+ — Positive terminal of the secondary winding

electrical

Electrical conserving port associated with the secondary winding positive terminal.

2- — Negative terminal of the secondary winding

electrical

Electrical conserving port associated with the secondary winding negative terminal.

Parameters

Main

Inductance L1 — Nominal inductance value in the primary winding

10 H (default)

The nominal inductance value in the primary winding. Inductance value must be greater than zero.

Inductance L2 — Nominal inductance value in the secondary winding

0.1 H (default)

The nominal inductance value in the secondary winding. Inductance value must be greater than zero.

Coefficient of coupling — Mutual inductance coupling between windings

0.9 (default)

The coupling between the primary and secondary windings. This coefficient defines the mutual inductance. To reverse one of the winding directions, use a negative value.

Tolerance (%) — Inductor tolerance, in percent

20 (default)

The inductor tolerance as defined on the manufacturer datasheet. Datasheets typically provide a tolerance percentage for a given inductor type. Therefore, this value is the same for both windings.

L1 tolerance application — Select how to apply tolerance to primary winding

None — use nominal value (default) | Random tolerance | Apply maximum tolerance value | Apply minimum tolerance value

Select how to apply tolerance during simulation to the primary winding:

- **None — use nominal value** — The block does not apply tolerance, it uses the nominal inductance value.
- **Random tolerance** — The block applies random offset to the inductance value, within the tolerance value limit. You can choose Uniform or Gaussian distribution for calculating the random number by using the **Tolerance distribution** parameter.
- **Apply maximum tolerance value** — The inductance is increased by the specified tolerance percent value.
- **Apply minimum tolerance value** — The inductance is decreased by the specified tolerance percent value.

L1 tolerance distribution — Select the distribution type for primary winding

Uniform (default) | Gaussian

Select the distribution type for random tolerance:

- Uniform — Uniform distribution
- Gaussian — Gaussian distribution

Dependencies

Enabled when the **L1 tolerance application** parameter is set to Random tolerance.

L1 number of standard deviations for quoted tolerance — Used for calculating the Gaussian random number for primary winding

4 (default)

Number of standard deviations for calculating the Gaussian random number.

Dependencies

Enabled when the **L1 tolerance distribution** parameter is set to Gaussian.

L2 tolerance application — Select how to apply tolerance to secondary winding

None — use nominal value (default) | Random tolerance | Apply maximum tolerance value | Apply minimum tolerance value

Select how to apply tolerance during simulation to the secondary winding:

- None — use nominal value — The block does not apply tolerance, it uses the nominal inductance value.
- Random tolerance — The block applies random offset to the inductance value, within the tolerance value limit. You can choose Uniform or Gaussian distribution for calculating the random number by using the **Tolerance distribution** parameter.
- Apply maximum tolerance value — The inductance is increased by the specified tolerance percent value.
- Apply minimum tolerance value — The inductance is decreased by the specified tolerance percent value.

L2 tolerance distribution — Select the distribution type for secondary winding

Uniform (default) | Gaussian

Select the distribution type for random tolerance:

- Uniform — Uniform distribution
- Gaussian — Gaussian distribution

Dependencies

Enabled when the **L2 tolerance application** parameter is set to Random tolerance.

L2 number of standard deviations for quoted tolerance — Used for calculating the Gaussian random number for secondary winding

4 (default)

Number of standard deviations for calculating the Gaussian random number.

Dependencies

Enabled when the **L2 tolerance distribution** parameter is set to Gaussian.

Resistance

Series resistance, [R_primary R_secondary] – Equivalent series resistance of the primary and secondary winding

[0.001, 0.001] Ohm (default)

Equivalent series resistance of the primary and secondary winding, specified as a two-element vector. The first number corresponds to the primary winding, the second number to the secondary winding. For a faulted winding, the block allocates the resistance to each segment in proportion to the number of turns in that segment.

Parallel conductance, [G_primary G_secondary] – Parallel leakage path associated with the primary and secondary winding

[1e-9, 1e-9] 1/Ohm (default)

Parallel leakage path associated with the primary and secondary winding, specified as a two-element vector. The first number corresponds to the primary winding, the second number to the secondary winding. The parallel conductances are placed directly across the + and - terminals of the primary and secondary winding, respectively.

Operating Limits

Enable operating limits – Select Yes to enable reporting when the operational limits are exceeded

No (default) | Yes

Select Yes to enable reporting when the operational limits are exceeded. The associated parameters in the **Operating Limits** section become visible to let you select the reporting method and specify the operating limits in terms of power and current.

Reporting when operating limits exceeded – Select the reporting method

Warn (default) | Error

Select what happens when an operating limit is exceeded:

- Warn – The block issues a warning.
- Error – Simulation stops with an error.

Dependencies

Enabled when the **Enable operating limits** parameter is set to Yes.

Saturation current – Inductor saturation current

1 A (default)

Inductor saturation current, as defined in the manufacturer datasheets. If the net current into the primary and secondary windings exceeds this value, the core material enters saturation, and the block reports an operating limits violation. That is, the block compares the limit against $|i_1 + i_2|$, where currents are defined as being positive when they are into the + nodes.

Dependencies

Enabled when the **Enable operating limits** parameter is set to Yes.

Power rating – Maximum power dissipation in the inductor

1 A (default)

Maximum instantaneous (total) power dissipation in the resistance and conductance elements associated with the mutual inductor. If the total power (including both primary and secondary winding) exceeds this number, the block reports an operating limits violation.

Dependencies

Enabled when the **Enable operating limits** parameter is set to Yes.

Faults

Enable faults – Select Yes to enable faults modeling

No (default) | Yes

Select Yes to enable faults modeling. The associated parameters in the **Faults** section become visible to let you select the reporting method and specify the trigger mechanism (temporal or behavioral). You can enable these trigger mechanisms separately or use them together.

Reporting when a fault occurs – Choose whether to issue an assertion when a fault occurs

None (default) | Warn | Error

Choose whether to issue an assertion when a fault occurs:

- None — The block does not issue an assertion.
- Warn — The block issues a warning.
- Error — Simulation stops with an error.

Dependencies

Enabled when the **Enable faults** parameter is set to Yes.

Faulted winding – Select winding to use for fault modeling

Primary (default) | Secondary

Select whether the faults occur in the primary or secondary winding.

Dependencies

Enabled when the **Enable faults** parameter is set to Yes.

Location of fault node (% of total turns from - terminal) – Percentage of turns in the subinductor that is in contact with the - port of the faulted winding

50 (default)

In practice, faults are enabled by segmenting the faulted winding into two coupled subinductors, connected in a series. The inductance is proportional to the square of the number of turns in the respective segment, and the series resistance of each subinductor is proportional to the number of turns in each segment. The parallel conductance spans both segments.

This parameter indicates the percentage of turns that are assigned to the subinductor that is in contact with the - port of the faulted winding. The remaining turns are assigned to the other subinductor. The default value is 50, which means that the overall inductance of the faulted winding is divided into two equal, coupled subinductors.

Dependencies

Enabled when the **Enable faults** parameter is set to Yes.

Short-circuit turns — Select whether fault results in one of the segments being short-circuited

No (default) | To negative terminal | To positive terminal

Select whether the fault results in one of the subinductor segments being short-circuited:

- No — The fault does not produce a short circuit.
- To negative terminal — The fault short-circuits the subinductor that is in contact with the - port of the block.
- To positive terminal — The fault short-circuits the subinductor that is in contact with the + port of the block.

Dependencies

Enabled when the **Enable faults** parameter is set to Yes.

Open-circuit at fault node — Select whether to apply an open-circuit fault between the segments

No (default) | Yes

Select whether to apply an open-circuit fault between the two subinductor segments. The default is No. Even with an open-circuit fault, the characteristics of the subinductors are still related because they are magnetically coupled even in the faulted state.

Dependencies

Enabled when the **Enable faults** parameter is set to Yes.

Ground fault — Select whether fault results in one of the segments being short-circuited

No (default) | Negative terminal side of fault node | Positive terminal side of fault node

Select whether, in case of fault, there is a path for current to flow towards the ground node:

- No — The fault does not result in a connection to ground.
- Negative terminal side of fault node — The side that is in contact with the - port of the block is connected to ground.
- Positive terminal side of fault node — The side that is in contact with the + port of the block is connected to ground.

If the **Open-circuit at fault node** parameter is set to Yes, you need to specify which side (negative or positive) is connected to ground. If there is no open circuit, the two options behave similarly. Physically, this corresponds to a breakdown in the insulation between the windings and the grounded core or chassis.

Dependencies

Enabled when the **Enable faults** parameter is set to Yes.

Conductance of faulted ground path — Mutual coupling between the two subinductors

0 1/0hm (default)

If there is a ground fault, this parameter represents conductance of the current path to ground. For example, if the path to ground is through the core material, then specify a small conductance value depending on the core material being used. For highly conductive core material or for chassis-shorts, specify a higher conductance value.

Dependencies

Enabled when the **Ground fault** parameter is set to Negative terminal side of fault node or Positive terminal side of fault node.

Fault transition time constant – Time constant for the transition to faulted state

1e-3 s (default)

Time constant associated with the transition to the faulted state, as described in “Faults” on page 1-852.

Dependencies

Enabled when the **Enable faults** parameter is set to Yes.

Enable temporal fault trigger – Select Yes to enable time-based fault triggering

No (default) | Yes

Select Yes to enable time-based fault triggering. You can enable the temporal and behavioral trigger mechanisms separately or use them together.

Dependencies

Enabled when the **Enable faults** parameter is set to Yes.

Simulation time for fault event – Time before entering faulted state

1 s (default)

Set the simulation time at which you want the block to start entering the fault state.

Dependencies

Enabled when the **Enable temporal fault trigger** parameter is set to Yes.

Enable behavioral fault trigger – Select Yes to enable behavioral fault triggering

No (default) | Yes

Select Yes to enable behavioral fault triggering. You can enable the temporal and behavioral trigger mechanisms separately or use them together.

Dependencies

Enabled when the **Enable faults** parameter is set to Yes.

Maximum permissible voltage – Voltage threshold to fault transition

100 V (default)

Define the voltage threshold to a fault transition. If the voltage value exceeds this threshold a certain number of times, specified by the **Number of events to fail when exceeding voltage** parameter value, then the block starts entering the fault state.

Dependencies

Enabled when the **Enable behavioral fault trigger** parameter is set to Yes.

Number of events to fail when exceeding voltage – Maximum number of times the voltage exceeds the threshold

1 (default)

Because the physical mechanism underlying voltage-based failures depends on one or more partial discharge events occurring, this parameter allows you to set the number of voltage overshoots that the inductor can withstand before the fault transition begins. Note that the block does not check the time spent in the overvoltage condition, only the number of transitions.

Dependencies

Enabled when the **Enable behavioral fault trigger** parameter is set to Yes.

Maximum permissible current – Current threshold to fault transition

1 A (default)

Define the current threshold to a fault transition. If the current value exceeds this threshold for longer than the **Time to fail when exceeding current** parameter value, then the block starts entering the fault state.

Dependencies

Enabled when the **Enable behavioral fault trigger** parameter is set to Yes.

Time to fail when exceeding current – Maximum length of time the current exceeds the threshold

1 s (default)

Set the maximum length of time that the current can exceed the maximum permissible value without triggering the fault.

Dependencies

Enabled when the **Enable behavioral fault trigger** parameter is set to Yes.

Extended Capabilities**C/C++ Code Generation**

Generate C and C++ code using Simulink® Coder™.

See Also

Fault | Inductor | Three-Winding Mutual Inductor | Variable Inductor

Introduced in R2017a

N-Channel IGBT

N-Channel insulated gate bipolar transistor

Library: Simscape / Electrical / Semiconductors & Converters



Description

The N-Channel IGBT block models an Insulated Gate Bipolar Transistor (IGBT). The block provides two main modeling variants, accessible by right-clicking the block in your block diagram and then selecting the appropriate option from the context menu, under **Simscape > Block choices**:

- **Full I-V and capacitance characteristics** — This variant is a detailed component model suitable for simulating detailed switching characteristics and predicting component losses. This variant, in turn, provides two ways of modeling an IGBT:
 - As an equivalent circuit based on a PNP bipolar transistor and N-channel MOSFET. For more information on using this model, see “Representation by Equivalent Circuit” on page 1-862, “Fine-Tuning the Current-Voltage Characteristics” on page 1-866, and “Modeling Temperature Dependence” on page 1-867.
 - By a 2-D lookup table approximation to the I-V (current-voltage) curve. For details, see “Representation by 2-D Lookup Table” on page 1-863.
 - By a 3-D lookup table approximation to the I-V (current-voltage) curve that includes temperature data. For details, see “Representation by 3-D Lookup Table” on page 1-864.

The gate junction capacitance in the detailed model is represented as a fixed gate-emitter capacitance C_{GE} and either a fixed or a nonlinear gate-collector capacitance C_{GC} . For details, see “Charge Model” on page 1-864.

- **Simplified I-V characteristics and event-based timing** — This variant models the IGBT more simply by using just the on-state I-V data as a function of the collector-emitter voltage. In the off state (gate-emitter voltage less than **Threshold voltage, V_{th}**), the IGBT is modeled by a constant **Off-state conductance**. This simplified model is suitable when approximate dynamic characteristics are sufficient, and simulation speed is of paramount importance. For details, see “Event-Based IGBT Variant” on page 1-867.

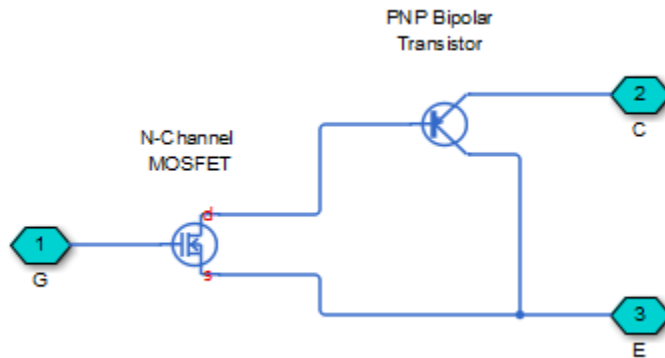
Together with the thermal port variants (see “Thermal Port” on page 1-868), the block therefore provides you with four choices. To select the desired variant, right-click the block in your model. From the context menu, select **Simscape > Block choices**, and then one of the following options:

- **Full I-V and capacitance characteristics | No thermal port** — Detailed model that does not simulate the effects of generated heat and device temperature. This is the default.
- **Full I-V and capacitance characteristics | Show thermal port** — Detailed model with exposed thermal port.
- **Simplified I-V characteristics and event-based timing | No thermal port** — Simplified event-based model, which also does not simulate the effects of generated heat and device temperature.

- **Simplified I-V characteristics and event-based timing | Show thermal port** — Simplified event-based model with exposed thermal port.

Representation by Equivalent Circuit

The equivalent circuit of the detailed block variant consists of a PNP Bipolar Transistor block driven by an N-Channel MOSFET block, as shown in the following figure:



The MOSFET source is connected to the bipolar transistor collector, and the MOSFET drain is connected to the bipolar transistor base. The MOSFET uses the threshold-based equations shown in the N-Channel MOSFET block reference page. The bipolar transistor uses the equations shown in the PNP Bipolar Transistor block reference page, but with the addition of an emission coefficient parameter N that scales kT/q .

The N-Channel IGBT block uses the on and off characteristics you specify in the block dialog box to estimate the parameter values for the underlying N-Channel MOSFET and PNP bipolar transistor.

The block uses the off characteristics to calculate the base-emitter voltage, V_{be} , and the saturation current, I_S .

When the transistor is off, the gate-emitter voltage is zero and the IGBT base-collector voltage is large, so the PNP base and collector current equations simplify to:

$$I_b = 0 = -I_S \left[\frac{1}{\beta_F} (e^{-qV_{be}/(NkT)} - 1) - \frac{1}{\beta_R} \right]$$

$$I_C = -I_S \left[e^{-qV_{be}/(NkT)} \left(1 + \frac{V_{bc}}{V_{AF}} \right) + \frac{1}{\beta_R} \right]$$

where N is the **Emission coefficient, N** parameter value, V_{AF} is the forward Early voltage, and I_C and I_b are defined as positive flowing into the collector and base, respectively. See the PNP Bipolar Transistor reference page for definitions of the remaining variables. The first equation can be solved for V_{be} .

The base current is zero in the off-condition, and hence $I_C = -I_{ces}$, where I_{ces} is the Zero gate voltage collector current. The base-collector voltage, V_{bc} , is given by $V_{bc} = V_{ces} + V_{ces}$, where V_{ces} is the voltage at which I_{ces} is measured. Hence we can rewrite the second equation as follows:

$$I_{ces} = I_S \left[e^{-qV_{be}/(NkT)} \left(1 + \frac{V_{ces} + V_{be}}{V_{AF}} \right) + \frac{1}{\beta_R} \right]$$

The block sets β_R and β_F to typical values of 1 and 50, so these two equations can be used to solve for V_{be} and I_S :

$$V_{be} = \frac{-NkT}{q} \log\left(1 + \frac{\beta_F}{\beta_R}\right)$$

$$I_S = \frac{I_C}{e^{-qV_{be}/(NkT)} + \frac{1}{\beta_R}}$$

Note The block does not require an exact value for β_F because it can adjust the MOSFET gain K to ensure the overall device gain is correct.

The block parameters **Collector-emitter saturation voltage, Vce(sat)** and **Collector current at which Vce(sat) is defined** are used to determine $V_{be(sat)}$ by solving the following equation:

$$I_{ce(sat)} = I_S \left[e^{-qV_{be(sat)}/(NkT)} \left(1 + \frac{V_{ce(sat)} + V_{be(sat)}}{V_{AF}} \right) + \frac{1}{\beta_R} \right]$$

Given this value, the block calculates the MOSFET gain, K , using the following equation:

$$I_{ds} = I_b = K \left[(V_{GE(sat)} - V_{th})V_{ds} - \frac{V_{ds}^2}{2} \right]$$

where V_{th} is the **Gate-emitter threshold voltage, Vge(th)** parameter value and $V_{GE(sat)}$ is the **Gate-emitter voltage at which Vce(sat) is defined** parameter value.

V_{ds} is related to the transistor voltages as $V_{ds} = V_{ce} - V_{be}$. The block substitutes this relationship for V_{ds} , sets the base-emitter voltage and base current to their saturated values, and rearranges the MOSFET equation to give

$$K = \frac{I_{b(sat)}}{\left[(V_{GE(sat)} - V_{th})(V_{be(sat)} + V_{ce(sat)}) - \frac{(V_{be(sat)} + V_{ce(sat)})^2}{2} \right]}$$

where $V_{ce(sat)}$ is the **Collector-emitter saturation voltage, Vce(sat)** parameter value.

These calculations ensure the zero gate voltage collector current and collector-emitter saturation voltage are exactly met at these two specified conditions. However, the current-voltage plots are very sensitive to the emission coefficient N and the precise value of V_{th} . If the manufacturer datasheet gives current-voltage plots for different V_{GE} values, then the N and V_{th} can be tuned by hand to improve the match.

Representation by 2-D Lookup Table

For the lookup table representation of the detailed block variant, you provide tabulated values for collector current as a function of gate-emitter voltage and collector-emitter voltage. The main advantage of using this option is simulation speed. It also lets you parameterize the device from either measured data or from data obtained from another simulation environment. To generate your own data from the equivalent circuit representation, you can use a test harness, such as shown in the "IGBT Characteristics" example.

The lookup table representation combines all of the equivalent circuit components (PNP transistor, N-channel MOSFET, collector resistor and emitter resistor) into one equivalent lookup table.

Representation by 3-D Lookup Table

For the temperature-dependent lookup table representation of the detailed block variant, you provide tabulated values for collector current as a function of gate-emitter voltage, collector-emitter voltage, and temperature.

The lookup table representation combines all of the equivalent circuit components (PNP transistor, N-channel MOSFET, collector resistor and emitter resistor) into one equivalent lookup table.

If the block thermal port is not exposed, then the **Device simulation temperature** parameter on the **Temperature Dependence** tab lets you specify the simulation temperature.

Charge Model

The detailed variant of the block models junction capacitances either by fixed capacitance values, or by tabulated values as a function of the collector-emitter voltage. In either case, you can either directly specify the gate-emitter and gate-collector junction capacitance values, or let the block derive them from the input and reverse transfer capacitance values. Therefore, the **Parameterization** options for charge model on the **Junction Capacitance** tab are:

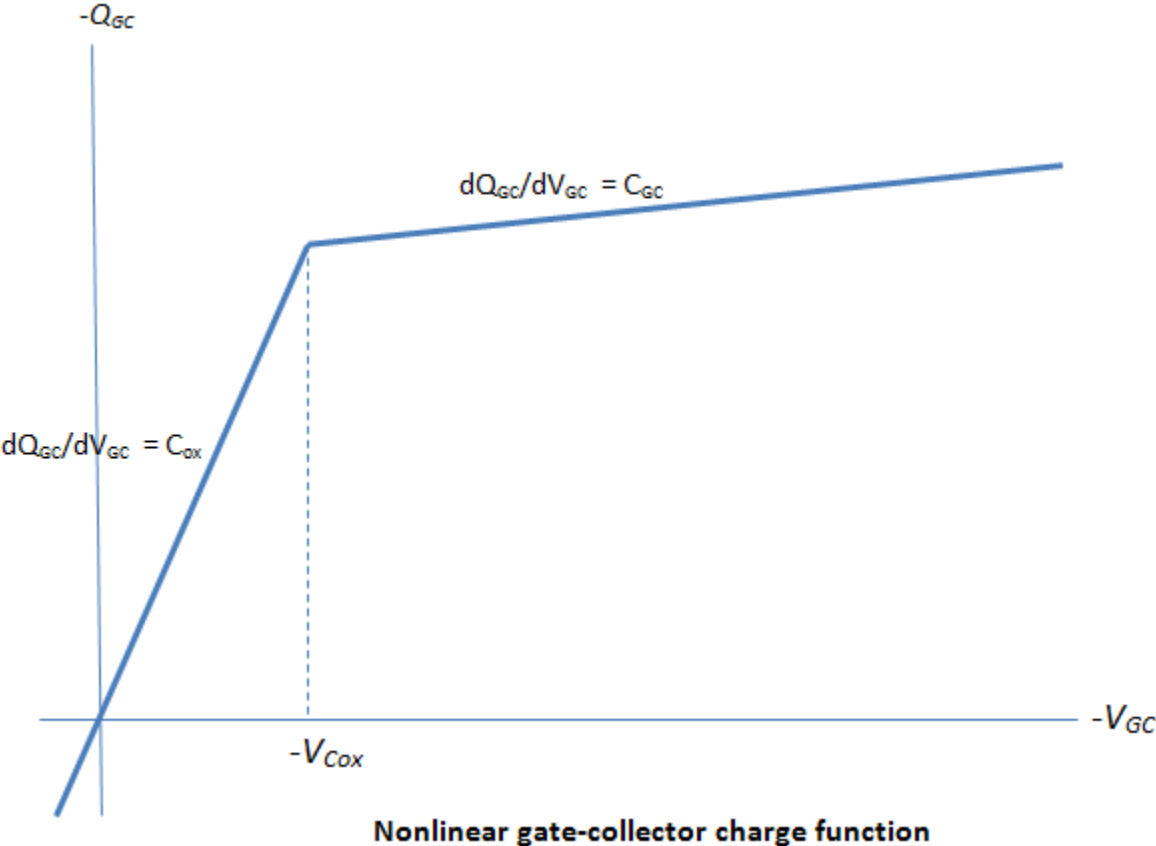
- Specify fixed input, reverse transfer and output capacitance — Provide fixed parameter values from datasheet and let the block convert the input and reverse transfer capacitance values to junction capacitance values, as described below. This is the default method.
- Specify fixed gate-emitter, gate-collector and collector-emitter capacitance — Provide fixed values for junction capacitance parameters directly.
- Specify tabulated input, reverse transfer and output capacitance — Provide tabulated capacitance and collector-emitter voltage values based on datasheet plots. The block converts the input and reverse transfer capacitance values to junction capacitance values, as described below.
- Specify tabulated gate-emitter, gate-collector and collector-emitter capacitance — Provide tabulated values for junction capacitances and collector-emitter voltage.

Use one of the tabulated capacitance options (Specify tabulated input, reverse transfer and output capacitance or Specify tabulated gate-emitter, gate-collector and collector-emitter capacitance) when the datasheet provides a plot of junction capacitances as a function of collector-emitter voltage. Using tabulated capacitance values will give more accurate dynamic characteristics, and avoids the need to iteratively tune parameters to fit the dynamics.

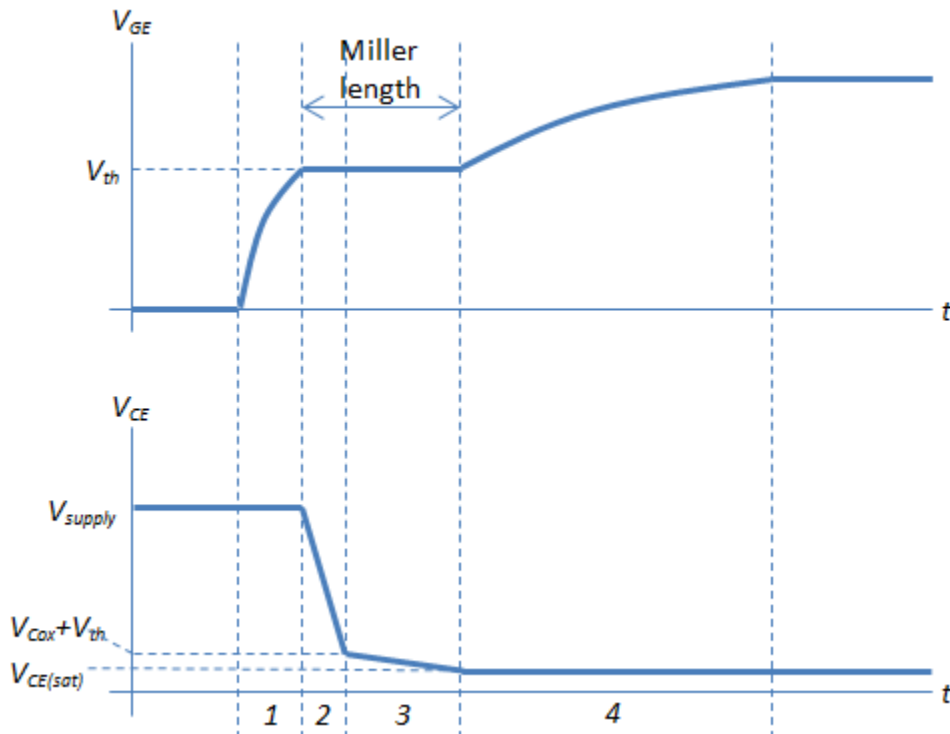
If you use the Specify fixed gate-emitter, gate-collector and collector-emitter capacitance or Specify tabulated gate-emitter, gate-collector and collector-emitter capacitance option, the **Junction Capacitance** tab lets you specify the **Gate-emitter junction capacitance**, **Gate-collector junction capacitance**, and **Collector-emitter junction capacitance** parameter values (fixed or tabulated) directly. Otherwise, the block derives them from the **Input capacitance**, **Cies**, **Reverse transfer capacitance**, **Cres**, and **Output capacitance**, **Coes** parameter values. These two parameterization methods are related as follows:

- $C_{GC} = C_{res}$
- $C_{GE} = C_{ies} - C_{res}$
- $C_{CE} = C_{oes} - C_{res}$

The two fixed capacitance options (Specify fixed input, reverse transfer and output capacitance or Specify fixed gate-emitter, gate-collector and collector-emitter capacitance) let you model gate junction capacitance as a fixed gate-emitter capacitance C_{GE} and either a fixed or a nonlinear gate-collector capacitance C_{GC} . If you select the Gate-collector charge function is nonlinear option for the **Charge-voltage linearity** parameter, then the gate-collector charge relationship is defined by the piecewise-linear function shown in the following figure.



With this nonlinear capacitance, the gate-emitter and collector-emitter voltage profiles take the form shown in the next figure, where the collector-emitter voltage fall has two regions (labeled 2 and 3) and the gate-emitter voltage has two time-constants (before and after the threshold voltage V_{th}):



You can determine the capacitor values for C_{ies} , C_{res} , and C_{ox} as follows, assuming that the IGBT gate is driven through an external resistance R_G :

- 1 Set C_{ies} to get correct time-constant for V_{GE} in Region 1. The time constant is defined by the product of C_{ies} and R_G . Alternatively, you can use a datasheet value for C_{ies} .
- 2 Set C_{res} so as to achieve the correct V_{CE} gradient in Region 2. The gradient is given by $(V_{GE} - V_{th}) / (C_{res} \cdot R_G)$.
- 3 Set V_{Cox} to the voltage at which the V_{CE} gradient changes minus the threshold voltage V_{th} .
- 4 Set C_{ox} to get correct Miller length and time constant in Region 4.

Because the underlying model is a simplification of an actual charge distribution, some iteration of these four steps may be required to get a best overall fit to measured data. The collector current tail when the IGBT is turned off is determined by the **Total forward transit time** parameter.

Note Because this block implementation includes a charge model, you must model the impedance of the circuit driving the gate to obtain representative turn-on and turn-off dynamics. Therefore, if you are simplifying the gate drive circuit by representing it as a controlled voltage source, you must include a suitable series resistor between the voltage source and the gate.

Fine-Tuning the Current-Voltage Characteristics

For the equivalent circuit representation of the detailed model, use the parameters on the **Advanced** tab to fine-tune the current-voltage characteristics of the modeled device. To use these additional parameters effectively, you will need a manufacturer datasheet that provides plots of the collector

current versus collector-emitter voltage for different values of gate-emitter voltage. The parameters on the **Advanced** tab have the following effects:

- The **Emission coefficient, N** parameter controls the shape of the current-voltage curves around the origin.
- The **Collector resistance, RC** and **Emitter resistance, RE** parameters affect the slope of the current-voltage curve at higher currents, and when fully turned on by a high gate-emitter voltage.
- The **Forward Early voltage, VAF** parameter affects the shape of the current-voltage curves for gate-emitter voltages around the **Gate-emitter threshold voltage, Vge(th)**.

Modeling Temperature Dependence

For the 2-D lookup table representation, the electrical equations do not depend on temperature. However, you can model temperature dependence by either using the 3-D lookup table representation, or by using the equivalent circuit representation of the detailed model.

For the equivalent circuit representation, temperature dependence is modeled by the temperature dependence of the constituent components. See the N-Channel MOSFET and PNP Bipolar Transistor block reference pages for further information on the defining equations.

Some datasheets do not provide information on the zero gate voltage collector current, I_{ces} , at a higher measurement temperature. In this case, you can alternatively specify the energy gap, EG , for the device, using a typical value for the semiconductor type. For silicon, the energy gap is usually 1.11 eV.

Event-Based IGBT Variant

This implementation has much simpler equations than that with full I-V and capacitance characteristics. Use the event-based variant when the focus of the analysis is to understand overall circuit behavior rather than to verify the precise IGBT timing or losses characteristics.

The device is always in one of the following four states:

- Off
- Turning on
- On
- Turning off

In the off state, the relationship between collector current (i_c) and collector-emitter voltage (v_{ce}) is

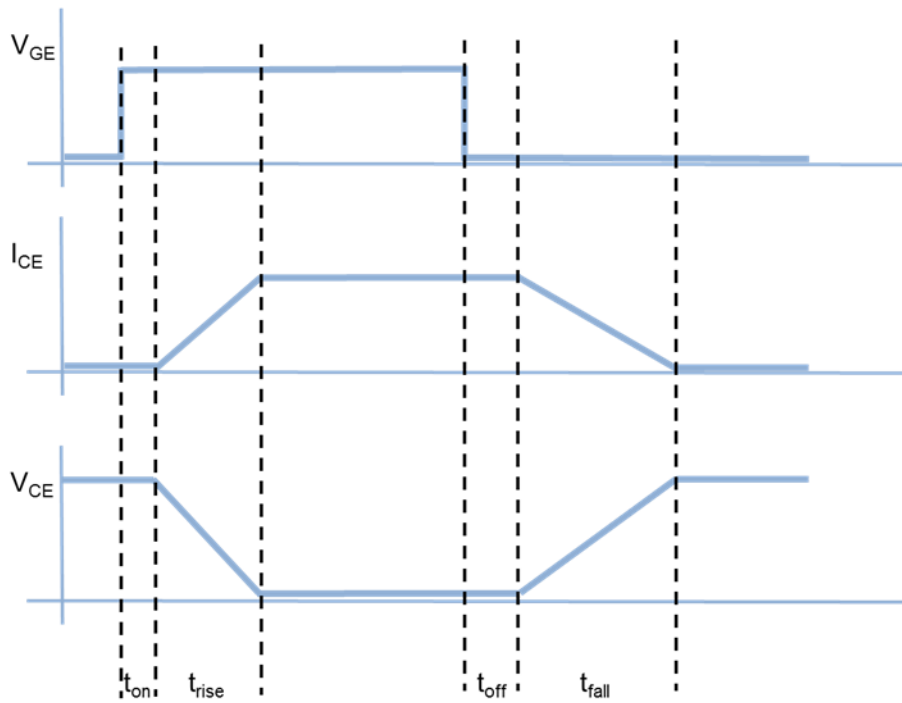
$$i_c = G_{off}v_{ce} \quad (1-30)$$

In the on state, the relationship between collector current (i_c) and collector-emitter voltage (v_{ce}) is

$$v_{ce} = \text{tablelookup}(i_c) \quad (1-31)$$

When turning on, the collector-emitter voltage is ramped down to zero over the rise time, the device moving into the on state when the voltage falls below the tabulated on-state value. Similarly when turning off, the collector-emitter voltage is ramped up over the (current) fall time to the specified blocking voltage value.

The following figure shows the resulting voltage and current profiles when driving a resistive load.



Thermal Port

The block has an optional thermal port, hidden by default. To expose the thermal port, right-click the block in your model, and select the appropriate block variant:

- For a detailed model, select **Simscape > Block choices > Full I-V and capacitance characteristics | Show thermal port**. This action displays the thermal port **H** on the block icon, and exposes the **Thermal Port** parameters.
- For a simplified event-based model, select **Simscape > Block choices > Simplified I-V characteristics and event-based timing | Show thermal port**. This action displays the thermal port **H** on the block icon, exposes **Thermal Port** parameters and additional **Main** parameters. To simulate thermal effects, you must provide additional tabulated data for turn-on and turn-off losses and define the collector-emitter on-state voltage as a function of both current and temperature.

Use the thermal port to simulate the effects of generated heat and device temperature. For more information on using thermal ports and on the **Thermal Port** parameters, see “Simulating Thermal Effects in Semiconductors”.

Assumptions and Limitations

The detailed model is based on the following assumptions:

- This block does not allow you to specify initial conditions on the junction capacitances. If you select the **Start simulation from steady state** option in the Solver Configuration block, the block solves the initial voltages to be consistent with the calculated steady state. Otherwise, voltages are zero at the start of the simulation.

- You may need to use nonzero junction capacitance values to prevent numerical simulation issues, but the simulation may run faster with these values set to zero.
- The block does not account for temperature-dependent effects on the junction capacitances.

The simplified, event-based model is based on the following assumptions:

- When you use a pair of IGBTs in a bridge arm, normally the gate drive circuitry will prevent a device turning on until the corresponding device has turned off, thereby implementing a minimum dead band. If you need to simulate the case where there is no minimum dead band and both devices are momentarily partially on, use the detailed IGBT model variant (**Full I-V and capacitance characteristics**). The assumption used by the event-based variant that the collector-emitter voltages can be ramped between on and off states is not valid for such cases.
- A minimum pulse width is applied when turning on or off; at the point where the gate-collector voltage rises above the threshold, any subsequent gate voltage changes are ignored for a time equal to the sum of the turn-on delay and current rise time. Similarly at the point where the gate collector voltage falls below the threshold, any subsequent gate voltage changes are ignored for a time equal to the sum of the turn-off delay and current fall time. This feature is normally implemented in the gate drive circuitry.
- This model does not account for charge. Hence there is no current tail when turning off an inductive load.
- Representative modeling of the current spike during turn-on of an inductive load with preexisting freewheeling current requires tuning of the **Miller resistance** parameter.
- The tabulated turn-on switching loss uses the previous on-state current, not the current value (which is not known until the device reaches the final on state).
- Due to high model stiffness that can arise from the simplified equations, you may get minimum step size violation warnings when using this block. Open the Solver pane of the Configuration Parameters dialog box and increase the **Number of consecutive min steps** parameter value as necessary to remove these warnings.

Ports

Conserving

C — Collector terminal

electrical

Electrical conserving port associated with the PNP emitter terminal

G — Gate terminal

electrical

Electrical conserving port associated with the IGBT gate terminal

E — Emitter terminal

electrical

Electrical conserving port associated with the PNP collector terminal

Parameters

Main (Default Block Variant)

This configuration of the **Main** tab corresponds to the detailed block variant, which is the default. If you are using the simplified, event-based variant of the block, see “Main (Event-Based Block Variant)” on page 1-878.

I-V characteristics defined by — IGBT representation

Fundamental nonlinear equations (default) | Lookup table (2-D, temperature independent) | Lookup table (3-D, temperature dependent)

Select the IGBT representation:

- **Fundamental nonlinear equations** — Use an equivalent circuit based on a PNP bipolar transistor and N-channel MOSFET. This is the default.
- **Lookup table (2-D, temperature independent)** — Use 2-D table lookup for collector current as a function of gate-emitter voltage and collector-emitter voltage.
- **Lookup table (3-D, temperature dependent)** — Use 3-D table lookup for collector current as a function of gate-emitter voltage, collector-emitter voltage, and temperature.

Zero gate voltage collector current, I_{ces} — Zero gate voltage collector current

2 mA (default)

The collector current that flows when the gate-emitter voltage is set to zero, and a large collector-emitter voltage is applied, that is, the device is in the off-state. The value of the large collector-emitter voltage is defined by the parameter **Voltage at which I_{ces} is defined**.

Dependencies

This parameter is visible only when you select **Fundamental nonlinear equations** for the **I-V characteristics defined by** parameter.

Voltage at which I_{ces} is defined — Voltage at which I_{ces} is defined

600 V (default)

The voltage used when measuring the **Zero gate voltage collector current, I_{ces}** .

Dependencies

This parameter is visible only when you select **Fundamental nonlinear equations** for the **I-V characteristics defined by** parameter.

Gate-emitter threshold voltage, $V_{ge(th)}$ — Gate-emitter threshold voltage

6 V (default)

The threshold voltage used in the MOSFET equations.

Dependencies

This parameter is visible only when you select **Fundamental nonlinear equations** for the **I-V characteristics defined by** parameter.

Collector-emitter saturation voltage, $V_{ce(sat)}$ — Collector-emitter saturation voltage

2.6 V (default)

The collector-emitter voltage for a typical on-state as specified by the manufacturer.

Dependencies

This parameter is visible only when you select Fundamental nonlinear equations for the **I-V characteristics defined by** parameter.

Collector current at which Vce(sat) is defined — Collector current at which Vce(sat) is defined

400 A (default)

The collector-emitter current when the gate-emitter voltage is $V_{ge(sat)}$ and collector-emitter voltage is $V_{ce(sat)}$.

Dependencies

This parameter is visible only when you select Fundamental nonlinear equations for the **I-V characteristics defined by** parameter.

Gate-emitter voltage at which Vce(sat) is defined — Gate-emitter voltage at which Vce(sat) is defined

10 V (default)

The gate voltage used when measuring $V_{ce(sat)}$ and $I_{ce(sat)}$.

Dependencies

This parameter is visible only when you select Fundamental nonlinear equations for the **I-V characteristics defined by** parameter.

Measurement temperature — Measurement temperature

25 degC (default)

The temperature for which the parameters are quoted (T_{m1}).

Dependencies

This parameter is visible only when you select Fundamental nonlinear equations for the **I-V characteristics defined by** parameter.

Vector of gate-emitter voltages, Vge — Vector of gate-emitter voltages

[-2 6 7 8 10 12 15 20] V (default)

The vector of gate-emitter voltages, to be used for table lookup. The vector values must be strictly increasing. The values can be nonuniformly spaced.

Dependencies

This parameter is visible only when you select Lookup table (2-D, temperature independent) or Lookup table (3-D, temperature dependent) for the **I-V characteristics defined by** parameter.

Vector of collector-emitter voltages, Vce — Vector of collector-emitter voltages

[-1 0 0.5 1 1.5 2 2.5 3 3.5 4] V (default)

The vector of collector-emitter voltages, to be used for table lookup. The vector values must be strictly increasing. The values can be nonuniformly spaced.

Dependencies

This parameter is visible only when you select Lookup table (2-D, temperature independent) or Lookup table (3-D, temperature dependent) for the **I-V characteristics defined by** parameter.

Vector of temperatures, T — Vector of temperatures

[25 125] degC (default)

The vector of temperatures, to be used for table lookup. The vector values must be strictly increasing. The values can be nonuniformly spaced.

Dependencies

This parameter is visible only when you select Lookup table (3-D, temperature dependent) for the **I-V characteristics defined by** parameter.

Tabulated collector currents, Ic=fcn(Vge,Vce) — Tabulated collector currents temperature independent

[-1.015e-05,
1.35e-08, .00047135, .0005092, .0005105, .00051175, .00051299, .00051423, .00051548, .00051672; -9.9869e-06,
1.35e-08, .00047135, .0005092, .0005105, .00051175, .00051299, .00051423, .00051548, .00051672; -9.955e-06, 1.35e-08, .0065225, 3.3324, 48.154, 93.661, 105.52, 105.72, 105.93, 106.14; -9.955e-06, 1.35e-08, .0065235, 3.5783, 70.264, 166.33, 252.4, 317.67, 353.38, 357.39; -9.955e-06, 1.35e-08, .006524, 3.7206, 89.171, 228.09, 371.63, 511.02, 642.69, 764.04; -9.9549e-06, 1.35e-08, .0065242, 3.7716, 97.793, 256.21, 424.27, 592.92, 759.2, 921.52; -9.9549e-06, 1.35e-08, .0065243, 3.8067, 104.52, 278.11, 464.6, 654.37, 844.57, 1033.9; -9.9549e-06, 1.35e-08, .0065244, 3.8324, 109.92, 295.67, 496.54, 702.28, 909.96, 1118.3] A (default)

Tabulated values for collector current as a function of gate-emitter voltage and collector-emitter voltage, to be used for 2-D table lookup. Each value in the matrix specifies the collector current for a specific combination of gate-emitter voltage and collector-emitter voltage. The matrix size must match the dimensions defined by the gate-emitter voltage and collector-emitter voltage vectors. The default values, in A, are:

```
[-1.015e-5 1.35e-8 4.7135e-4 5.092e-4 5.105e-4 5.1175e-4 5.1299e-4 5.1423e-4 5.1548e-4 5.1672e-4;
-9.9869e-6 1.35e-8 4.7135e-4 5.092e-4 5.105e-4 5.1175e-4 5.1299e-4 5.1423e-4 5.1548e-4 5.1672e-4;
-9.955e-6 1.35e-8 0.0065225 3.3324 48.154 93.661 105.52 105.72 105.93 106.14;
-9.955e-6 1.35e-8 0.0065235 3.5783 70.264 166.33 252.4 317.67 353.38 357.39;
-9.955e-6 1.35e-8 0.006524 3.7206 89.171 228.09 371.63 511.02 642.69 764.04;
-9.9549e-6 1.35e-8 0.0065242 3.7716 97.793 256.21 424.27 592.92 759.2 921.52;
-9.9549e-6 1.35e-8 0.0065243 3.8067 104.52 278.11 464.6 654.37 844.57 1.0339e+3;
-9.9549e-6 1.35e-8 0.0065244 3.8324 109.92 295.67 496.54 702.28 909.96 1.1183e+3]
```

Dependencies

This parameter is visible only when you select Lookup table (2-D, temperature independent) for the **I-V characteristics defined by** parameter.

Tabulated collector currents, Ic=fcn(Vge,Vce,T) — Tabulated collector currents temperature dependent

zeros(8, 10, 2) A (default)

Tabulated values for collector current as a function of gate-emitter voltage, collector-emitter voltage, and temperature, to be used for 3-D table lookup. Each value in the matrix specifies the collector

current for a specific combination of gate-emitter voltage and collector-emitter voltage at a specific temperature. The matrix size must match the dimensions defined by the gate-emitter voltage, collector-emitter voltage, and temperature vectors.

Dependencies

This parameter is visible only when you select Lookup table (3-D, temperature dependent) for the **I-V characteristics defined by** parameter.

Junction Capacitance (Default Block Variant)

Parameterization — Junction capacitance parameterization

Specify fixed input, reverse transfer and output capacitance (default) | Specify fixed gate-emitter, gate-collector and collector-emitter capacitance | Specify tabulated input, reverse transfer and output capacitance | Specify tabulated gate-emitter, gate-collector and collector-emitter capacitance

Select one of the following methods for block parameterization:

- Specify fixed input, reverse transfer and output capacitance — Provide fixed parameter values from datasheet and let the block convert the input, output, and reverse transfer capacitance values to junction capacitance values, as described in “Charge Model” on page 1-864. This is the default method.
- Specify fixed gate-emitter, gate-collector and collector-emitter capacitance — Provide fixed values for junction capacitance parameters directly.
- Specify tabulated input, reverse transfer and output capacitance — Provide tabulated capacitance and collector-emitter voltage values based on datasheet plots. The block converts the input, output, and reverse transfer capacitance values to junction capacitance values, as described in “Charge Model” on page 1-864.
- Specify tabulated gate-emitter, gate-collector and collector-emitter capacitance — Provide tabulated values for junction capacitances and collector-emitter voltage.

Input capacitance, C_{ies} — Input capacitance

26.4 nF (default) | [80 40 32 28 27.5 27 26.5 26.5 26.5] nF

The gate-emitter capacitance with the collector shorted to the emitter.

Dependencies

The default value for this parameter depends on the chosen option for the **Parameterization** parameter on the **Junction Capacitance** tab:

- Specify fixed input, reverse transfer and output capacitance - If you select this option, the default value is 26.4 nF.
- Specify tabulated input, reverse transfer and output capacitance - If you select this option, the default value is [80 40 32 28 27.5 27 26.5 26.5 26.5] nF.

Reverse transfer capacitance, C_{res} — Reverse transfer capacitance

2.7 nF (default) | [55 9 5.5 3.1 2.5 2.1 1.9 1.8 1.7] nF

The collector-gate capacitance with the emitter connected to ground.

Dependencies

The default value for this parameter depends on the chosen option for the **Parameterization** parameter on the **Junction Capacitance** tab:

- Specify fixed input, reverse transfer and output capacitance - If you select this option, the default value is 2.7 nF.
- Specify tabulated input, reverse transfer and output capacitance - If you select this option, the default value is [55 9 5.5 3.1 2.5 2.1 1.9 1.8 1.7] nF.

Output capacitance, Coes – Output capacitance

0 nF (default) | [60 20 12 8 6 4.8 4 3.5 3.1] nF

The collector-emitter capacitance with the gate and emitter shorted.

Dependencies

The default value for this parameter depends on the chosen option for the **Parameterization** parameter on the **Junction Capacitance** tab:

- Specify fixed input, reverse transfer and output capacitance - If you select this option, the default value is 0 nF.
- Specify tabulated input, reverse transfer and output capacitance - If you select this option, the default value is [60 20 12 8 6 4.8 4 3.5 3.1] nF.

Gate-emitter junction capacitance – Gate-emitter junction capacitance

23.7 nF (default) | [25 31 26.5 24.9 25 24.9 24.6 24.7 24.8] nF

The value of the capacitance placed between the gate and the emitter.

Dependencies

The default value for this parameter depends on the chosen option for the **Parameterization** parameter on the **Junction Capacitance** tab:

- Specify fixed gate-emitter, gate-collector and collector-emitter capacitance - If you select this option, the default value is 23.7 nF.
- Specify tabulated gate-emitter, gate-collector and collector-emitter capacitance - If you select this option, the default value is [25 31 26.5 24.9 25 24.9 24.6 24.7 24.8] nF.

Gate-collector junction capacitance – Gate-collector junction capacitance

2.7 nF (default) | [55 9 5.5 3.1 2.5 2.1 1.9 1.8 1.7] nF

The value of the capacitance placed between the gate and the collector.

Dependencies

The default value for this parameter depends on the chosen option for the **Parameterization** parameter on the **Junction Capacitance** tab:

- Specify fixed gate-emitter, gate-collector and collector-emitter capacitance - If you select this option, the default value is 2.7 nF.
- Specify tabulated gate-emitter, gate-collector and collector-emitter capacitance - If you select this option, the default value is [55 9 5.5 3.1 2.5 2.1 1.9 1.8 1.7] nF.

Collector-emitter junction capacitance — Collector-emitter junction capacitance

0 nF (default) | [5 11 6.5 4.9 3.5 2.7 2.1 1.7 1.4] nF

The value of the capacitance placed between the collector and the emitter.

Dependencies

The default value for this parameter depends on the chosen option for the **Parameterization** parameter on the **Junction Capacitance** tab:

- Specify fixed gate-emitter, gate-collector and collector-emitter capacitance - If you select this option, the default value is 0 nF.
- Specify tabulated gate-emitter, gate-collector and collector-emitter capacitance - If you select this option, the default value is [5 11 6.5 4.9 3.5 2.7 2.1 1.7 1.4] nF.

Corresponding collector-emitter voltages — Corresponding collector-emitter voltages

[0 1 2 5 10 15 20 25 30] V (default)

The collector-emitter voltages corresponding to the tabulated capacitance values.

Dependencies

This parameter is visible only when you select Specify tabulated input, reverse transfer and output capacitance or Specify tabulated gate-emitter, gate-collector and output capacitance for the **Parameterization** parameter on the **Junction Capacitance** tab.

Charge-voltage linearity — Charge-voltage linearity

Gate-collector capacitance is constant (default) | Gate-collector charge function is nonlinear

Select whether gate-drain capacitance is fixed or nonlinear:

- Gate-collector capacitance is constant — The capacitance value is constant and defined according to the selected parameterization option, either directly or derived from a datasheet. This is the default method.
- Gate-collector charge function is nonlinear — The gate-collector charge relationship is defined according to the piecewise-nonlinear function described in “Charge Model” on page 1-864. Two additional parameters appear to let you define the gate-collector charge function.

Dependencies

This parameter is visible only when you select Specify fixed input, reverse transfer and output capacitance or Specify fixed gate-emitter, gate-collector and output capacitance for the **Parameterization** parameter on the **Junction Capacitance** tab.

Gate-collector oxide capacitance — Gate-collector oxide capacitance

20 nF (default)

The gate-collector capacitance when the device is on and the collector-gate voltage is small. This parameter is visible only when you select Gate-collector charge function is nonlinear for the **Charge-voltage linearity** parameter. The default value is 20 nF.

Dependencies

This parameter is visible only when you select Gate-collector charge function is nonlinear for the **Charge-voltage linearity** parameter.

Collector-gate voltage below which oxide capacitance becomes active – Collector-gate voltage below which oxide capacitance becomes active

-5 V (default)

The collector-gate voltage at which the collector-gate capacitance switches between off-state (C_{GC}) and on-state (C_{ox}) capacitance values.

Dependencies

This parameter is visible only when you select Gate-collector charge function is nonlinear for the **Charge-voltage linearity** parameter.

Total forward transit time – Total forward transit time

0 us (default)

The forward transit time for the PNP transistor used as part of the underlying IGBT model. It affects how quickly charge is removed from the channel when the IGBT is turned off.

Advanced (Default Block Variant)

The lookup table representation combines all the equivalent circuit components into one lookup table, and therefore this tab is empty. If you use the equivalent circuit representation, this tab has the following parameters.

Emission coefficient, N – Emission coefficient

1 (default)

The emission coefficient or ideality factor of the bipolar transistor.

Forward Early voltage, VAF – Forward Early voltage

200 V (default)

The forward Early voltage for the PNP transistor used in the IGBT model. See the PNP Bipolar Transistor block reference page for more information.

Collector resistance, RC – Collector resistance

0.001 Ohm (default)

Resistance at the collector.

Emitter resistance, RE – Emitter resistance

0.0010hm (default)

Resistance at the emitter.

Internal gate resistance, RG – Internal gate resistance

0.0010hm (default)

The value of the internal gate resistor at the measurement temperature. Note that this is not the value of the external circuit series gate resistance, which you should model externally to the IGBT.

Forward current transfer ratio, BF — Forward current transfer ratio

50 (default)

Ideal maximum forward current gain for the PNP transistor used in the IGBT model. See the PNP Bipolar Transistor block reference page for more information.

Temperature Dependence (Default Block Variant)

For the 2-D lookup table representation, the electrical equations do not depend on temperature and therefore this tab is empty. For the 3-D lookup table representation with exposed thermal port, this tab is also empty because the 3-D matrix on the **Main** tab captures the temperature dependence. If the block thermal port is not exposed for the 3-D lookup table representation, then this tab contains only the **Device simulation temperature** parameter. If you use the equivalent circuit representation, this tab has the following parameters.

Parameterization — Temperature dependence parameterization

None — Simulate at parameter measurement temperature (default) | Specify I_{ces} and $V_{ce(sat)}$ at second measurement temperature | Specify $V_{ce(sat)}$ at second measurement temperature plus the energy gap, EG

Select one of the following methods for temperature dependence parameterization:

- None — Simulate at parameter measurement temperature — Temperature dependence is not modeled, and none of the other parameters on this tab are visible. This is the default method.
- Specify I_{ces} and $V_{ce(sat)}$ at second measurement temperature — Model temperature-dependent effects by providing values for the zero gate voltage collector current, I_{ces} , and collector-emitter voltage, $V_{ce(sat)}$, at the second measurement temperature.
- Specify $V_{ce(sat)}$ at second measurement temperature plus the energy gap, EG — Use this option when the datasheet does not provide information on the zero gate voltage collector current, I_{ces} , at a higher measurement temperature.

Energy gap, EG — Energy gap

1.11 eV (default)

Energy gap value. The default value is 1.11 eV.

Dependencies

This parameter is visible only when you select Specify $V_{ce(sat)}$ at second measurement temperature plus the energy gap, EG for the **Parameterization** parameter on the **Temperature Dependence** tab.

Zero gate voltage collector current, I_{ces} , at second measurement temperature — Zero gate voltage collector current, I_{ces} , at second measurement temperature

100 mA (default)

The zero gate collector current value at the second measurement temperature.

Dependencies

This parameter is visible only when you select Specify I_{ces} and $V_{ce(sat)}$ at second measurement temperature for the **Parameterization** parameter on the **Temperature Dependence** tab.

Collector-emitter saturation voltage, $V_{ce(sat)}$, at second measurement temperature – Collector-emitter saturation voltage, $V_{ce(sat)}$, at second measurement temperature

3 V (default)

The collector-emitter saturation voltage value at the second measurement temperature, and when the collector current and gate-emitter voltage are as defined by the corresponding parameters on the **Main** tab.

Second measurement temperature – Second measurement temperature

125 degC (default)

Second temperature T_{m2} at which **Zero gate voltage collector current, I_{ces} , at second measurement temperature** and **Collector-emitter saturation voltage, $V_{ce(sat)}$, at second measurement temperature** are measured.

Saturation current temperature exponent, XTI – Saturation current temperature exponent

3 (default)

The saturation current exponent value for your device type. If you have graphical data for the value of I_{ces} as a function of temperature, you can use it to fine-tune the value of XTI .

Mobility temperature exponent, BEX – Mobility temperature exponent

-1.5 (default)

Mobility temperature coefficient value. You can use the default value for most devices. If you have graphical data for $V_{ce(sat)}$ at different temperatures, you can use it to fine-tune the value of BEX .

Internal gate resistance temperature coefficient – Internal gate resistance temperature coefficient

0 1/K (default)

Represents the fractional rate of change (α) of internal gate resistance (RG) with temperature. Thus the gate resistance is $R = R_{meas}(1 + \alpha (T_s - T_{m1}))$, where R_{meas} is the **Internal gate resistance, RG** parameter value.

Device simulation temperature – Device simulation temperature

25 degC (default)

Temperature T_s at which the device is simulated.

Main (Event-Based Block Variant)

This configuration of the **Main** tab corresponds to the simplified, event-based block variant. If you are using the detailed variant of the block, see “Main (Default Block Variant)” on page 1-870.

Vector of temperatures, T_j – Vector of temperatures

[298.15, 398.15] K (default)

Temperature values at which the collector-emitter and turn-on/turn-off losses are quoted.

Dependencies

This parameter is visible only if your block has an exposed thermal port.

Vector of collector currents, I_c — Vector of collector currents

[0, 10, 50, 100, 200, 400, 600] A (default)

Collector currents for which the on-state collector-emitter voltages are defined. The first element must be zero.

Corresponding on-state collector-emitter voltages — Corresponding on-state collector-emitter voltages

[0, 1.1, 1.3, 1.45, 1.75, 2.25, 2.7] V (default)

Collector-emitter voltages corresponding to the vector of collector currents. The first element must be zero. If your block has an exposed thermal port, this parameter is replaced with the **Collector-emitter on-state voltages, $V_{ce}=f_{cn}(T_j, I_c)$** parameter, which defines the voltages in terms of both temperature and current.

Collector-emitter on-state voltages, $V_{ce}=f_{cn}(T_j, I_c)$ — Collector-emitter on-state voltages

[0, 1.1, 1.3, 1.45, 1.75, 2.25, 2.7; 0, 1.0, 1.15, 1.35, 1.7, 2.35, 3.0] V (default)

Collector-emitter voltages when in the on state, defined as a function of both temperature and current.

Dependencies

This parameter is visible only if your block has an exposed thermal port.

Turn-on switching losses, $E_{on}=f_{cn}(T_j, I_c)$ — Turn-on switching losses

[0, 0.2, 1, 2, 4, 8, 15; 0, 0.3, 1.3, 2.5, 5, 11, 18]*1e-3 J (default)

Energy loss when turning the device on, defined as a function of temperature and final on-state current.

Dependencies

This parameter is visible only if your block has an exposed thermal port.

Turn-off switching losses, $E_{off}=f_{cn}(T_j, I_c)$ — Turn-off switching losses

[0, 0.3, 1.5, 3, 6, 15, 25; 0, 0.7, 3.3, 6.5, 13, 25, 35]*1e-3 J (default)

Energy loss when turning the device off, defined as a function of temperature and final on-state current.

Dependencies

This parameter is visible only if your block has an exposed thermal port.

Miller resistance — Miller resistance

0.1 Ohm (default)

When the device turns on, it has a constant-value Miller resistance in series with the demanded voltage ramp. This resistance represents the partial conductance path through the device during turn on, and can be used to match the voltage spike observed when reconnecting a current-carrying inductor and corresponding freewheeling diode. A typical value is 10 to 50 times the effective on-state resistance.

Off-state conductance — Off-state conductance

1e-5 Ohm (default)

Conductance when the device is in the off state.

Threshold voltage, Vth — Threshold voltage

6 V (default)

The gate-emitter voltage must be greater than this value for the device to turn on.

Dynamics (Event-Based Block Variant)**Turn-on delay — Turn-on delay**

0.07 us (default)

Time before which the device starts to ramp on.

Current rise time — Current rise time

0.7 us (default)

Time taken for the current to ramp up when driving a resistive load.

Turn-off delay — Turn-off delay

0.2 us (default)

Time before which the device starts to ramp off.

Current fall time — Current fall time

0.5 us (default)

Time taken for the current to ramp down when driving a resistive load.

Off-state voltage for rise and fall times — Off-state voltage for rise and fall times

300 V (default)

Off-state collector-emitter voltage used when specifying the rise and fall times. The default value is 300 V. If your block has an exposed thermal port, this parameter is replaced with the **Off-state voltage for timing and losses data** parameter, which defines the voltage used when specifying the rise and fall times and also the losses data, also with the default value of 300 V.

Extended Capabilities**C/C++ Code Generation**

Generate C and C++ code using Simulink® Coder™.

See Also

Introduced in R2008a

N-Channel JFET

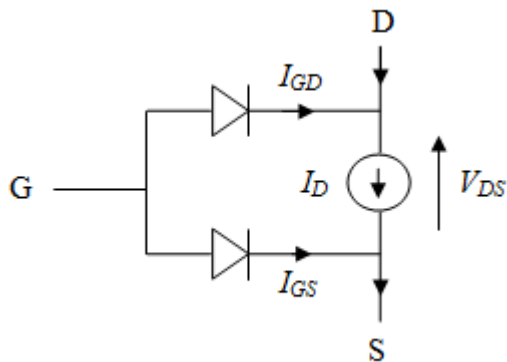
N-Channel junction field-effect transistor

Library: Simscape / Electrical / Semiconductors & Converters



Description

The N-Channel JFET block uses the Shichman and Hodges equations to represent an N-Channel JFET using a model with the following structure:



G is the transistor gate, D is the transistor drain, and S is the transistor source. The drain current, I_D , depends on the region of operation and whether the transistor is operating in normal or inverse mode.

- In normal mode ($V_{DS} \geq 0$), the block provides the following relationship between the drain current I_D and the drain-source voltage V_{DS} .

Region	Applicable Range of V_{GS} and V_{DS} Values	Corresponding I_D Equation
Off	$V_{GS} - V_{t0} \leq 0$	$I_D = 0$
Linear	$0 < V_{DS} < V_{GS} - V_{t0}$	$I_D = \beta V_{DS}(2(V_{GS} - V_{t0}) - V_{DS})(1 + \lambda V_{DS})$
Saturated	$0 < V_{GS} - V_{t0} \leq V_{DS}$	$I_D = \beta (V_{GS} - V_{t0})^2 (1 + \lambda V_{DS})$

- In inverse mode ($V_{DS} < 0$), the block provides the following relationship between the drain current I_D and the drain-source voltage V_{DS} .

Region	Applicable Range of V_{GS} and V_{DS} Values	Corresponding I_D Equation
Off	$V_{GD} - V_{t0} \leq 0$	$I_D = 0$
Linear	$0 < -V_{DS} < V_{GD} - V_{t0}$	$I_D = \beta V_{DS}(2(V_{GD} - V_{t0}) + V_{DS})(1 - \lambda V_{DS})$

Region	Applicable Range of V_{GS} and V_{DS} Values	Corresponding I_D Equation
Saturated	$0 < V_{GD} - V_{t0} \leq -V_{DS}$	$I_D = \beta (V_{GD} - V_{t0})^2 (1 - \lambda V_{DS})$

In the preceding equations:

- V_{GS} is the gate-source voltage.
- V_{GD} is the gate-drain voltage.
- V_{t0} is the threshold voltage. If you select **Specify using equation parameters directly** for the **Parameterization** parameter, V_{t0} is the **Threshold voltage** parameter value. Otherwise, the block calculates V_{t0} from the datasheet parameters you specify.
- β is the transconductance parameter. If you select **Specify using equation parameters directly** for the **Parameterization** parameter, β is the **Transconductance parameter** parameter value. Otherwise, the block calculates β from the datasheet parameters you specify.
- λ is the channel-length modulation parameter. If you select **Specify using equation parameters directly** for the **Parameterization** parameter, λ is the **Channel-length modulation** parameter value. Otherwise, the block calculates λ from the datasheet parameters you specify.

The currents in each of the diodes satisfy the exponential diode equation

$$I_{GD} = IS \cdot \left(e^{\frac{qV_{GD}}{kT_{m1}}} - 1 \right)$$

$$I_{GS} = IS \cdot \left(e^{\frac{qV_{GS}}{kT_{m1}}} - 1 \right)$$

where:

- IS is the saturation current. If you select **Specify using equation parameters directly** for the **Parameterization** parameter, IS is the **Saturation current** parameter value. Otherwise, the block calculates IS from the datasheet parameters you specify.
- q is the elementary charge on an electron (1.602176e-19 Coulombs).
- k is the Boltzmann constant (1.3806503e-23 J/K).
- T_{m1} is the measurement temperature. The value comes from the **Measurement temperature** parameter.

The block models gate junction capacitance as a fixed gate-drain capacitance C_{GD} and a fixed gate-source capacitance C_{GS} . If you select **Specify using equation parameters directly** for the **Parameterization** parameter, you specify these values directly using the **Gate-drain junction capacitance** and **Gate-source junction capacitance** parameters. Otherwise, the block derives them from the **Input capacitance Ciss** and **Reverse transfer capacitance Crss** parameter values. The two parameterizations are related as follows:

- $C_{GD} = Crss$
- $C_{GS} = Ciss - Crss$

Modeling Temperature Dependence

The default behavior is that dependence on temperature is not modeled, and the device is simulated at the temperature for which you provide block parameters. You can optionally include modeling the

dependence of the transistor static behavior on temperature during simulation. Temperature dependence of the junction capacitances is not modeled, this being a much smaller effect.

When including temperature dependence, the transistor defining equations remain the same. The measurement temperature value, T_{m1} , is replaced with the simulation temperature, T_s . The transconductance, β , and the threshold voltage, V_{t0} , become a function of temperature according to the following equations:

$$\beta_{T_s} = \beta_{T_{m1}} \left(\frac{T_s}{T_{m1}} \right)^{BEX}$$

$$V_{t0s} = V_{t01} + \alpha (T_s - T_{m1})$$

where:

- T_{m1} is the temperature at which the transistor parameters are specified, as defined by the **Measurement temperature** parameter value.
- T_s is the simulation temperature.
- $\beta_{T_{m1}}$ is JFET transconductance at the measurement temperature.
- β_{T_s} is JFET transconductance at the simulation temperature. This is the transconductance value used in the JFET equations when temperature dependence is modeled.
- V_{t01} is the threshold voltage at measurement temperature.
- V_{t0s} is the threshold voltage at simulation temperature. This is the threshold voltage value used in the JFET equations when temperature dependence is modeled.
- BEX is the mobility temperature exponent. A typical value of BEX is -1.5.
- α is the gate threshold voltage temperature coefficient, dV_{th}/dT .

For most JFETS, you can use the default value of -1.5 for BEX . Some datasheets quote the value for α , but most typically they provide the temperature dependence for the saturated drain current, I_{dss} . Depending on the block parameterization method, you have two ways of specifying α :

- If you parameterize the block from a datasheet, you have to provide I_{dss} at a second measurement temperature. The block then calculates the value for α based on this data.
- If you parameterize by specifying equation parameters, you have to provide the value for α directly.

If you have more data comprising drain current as a function of gate-source voltage for fixed drain-source voltage plotted at more than one temperature, then you can also use Simulink Design Optimization software to help tune the values for α and BEX .

In addition, the saturation current term, IS , in the gate-drain and gate-source current equations depends on temperature

$$IS_{T_s} = IS_{T_{m1}} \cdot (T_s/T_{m1})^{XTI} \cdot \exp\left(-\frac{EG}{kT_s}(1 - T_s/T_{m1})\right)$$

where:

- $IS_{T_{m1}}$ is the saturation current at the measurement temperature.
- IS_{T_s} is the saturation current at the simulation temperature. This is the saturation current value used in the gate diode equations when temperature dependence is modeled.

- EG is the energy gap.
- k is the Boltzmann constant ($1.3806503e-23$ J/K).
- XTI is the saturation current temperature exponent.

Similar to α , you have two ways of specifying EG and XTI :

- If you parameterize the block from a datasheet, you have to specify the gate reverse current, I_{gss} , at a second measurement temperature. The block then calculates the value for EG based on this data and assuming a p-n junction nominal value of 3 for XTI .
- If you parameterize by specifying equation parameters, you have to provide the values for EG and XTI directly. This option gives you most flexibility to match device behavior, for example, if you have a graph of I_{gss} as a function of temperature. With this data you can use Simulink Design Optimization software to help tune the values for EG and XTI .

Thermal Port

The block has an optional thermal port, hidden by default. To expose the thermal port, right-click the block in your model, and then from the context menu select **Simscape > Block choices > Show thermal port**. This action displays the thermal port **H** on the block icon, and exposes the **Thermal Port** parameters.

Use the thermal port to simulate the effects of generated heat and device temperature. For more information on using thermal ports and on the **Thermal Port** parameters, see “Simulating Thermal Effects in Semiconductors”.

Assumptions and Limitations

- This block does not allow you to specify initial conditions on the junction capacitances. If you select the **Start simulation from steady state** option in the Solver Configuration block, the block solves the initial voltages to be consistent with the calculated steady state. Otherwise, voltages are zero at the start of the simulation.
- You may need to use nonzero ohmic resistance and junction capacitance values to prevent numerical simulation issues, but the simulation may run faster with these values set to zero.
- The block does not account for temperature-dependent effects on the junction capacitances.
- When you specify I_{dss} at a second measurement temperature, it must be quoted for the same working point (that is, the same drain current and gate-source voltage) as for the I_{dss} value on the **Main** tab. Inconsistent values for I_{dss} at the higher temperature will result in unphysical values for α and unrepresentative simulation results.
- You may need to tune the value of BEX to replicate the I_D - V_{GS} relationship (if available) for a given device. The value of BEX affects whether the I_D - V_{GS} curves for different temperatures cross each other, or not, for the ranges of I_D and V_{GS} considered.

Ports

Conserving

G — Gate terminal

electrical

Electrical conserving port associated with the transistor gate terminal

D – Drain terminal

electrical

Electrical conserving port associated with the transistor drain terminal

S – Source terminal

electrical

Electrical conserving port associated with the transistor source terminal

Parameters**Main****Parameterization – Block parameterization**

Specify from a datasheet (default) | Specify using equation parameters directly

Select one of the following methods for block parameterization:

- Specify from a datasheet — Provide parameters that the block converts to equations that describe the transistor. This is the default method.
- Specify using equation parameters directly — Provide equation parameters β , I_S , V_{t0} , and λ .

Gate reverse current, I_gss – Gate reverse current

-1 nA (default)

The reverse current that flows in the diode when the drain and source are short-circuited and a large negative gate-source voltage is applied.

Dependencies

This parameter is visible only when you select Specify from a datasheet for the **Parameterization** parameter.

Saturated drain current, I_dss – Saturated drain current

3 .mA (default)

The current that flows when a large positive drain-source voltage is applied for a specified gate-source voltage. For a depletion-mode device, this gate-source voltage may be zero, in which case I_{dss} may be referred to as the zero-gate voltage drain current.

Dependencies

This parameter is visible only when you select Specify from a datasheet for the **Parameterization** parameter.

I_dss measurement point, [V_gs V_ds] – I_dss measurement point

[0, 15] V (default)

A vector of the values of V_{GS} and V_{DS} at which I_{dss} is measured. Normally V_{GS} is zero. V_{DS} should be greater than zero.

Dependencies

This parameter is visible only when you select Specify from a datasheet for the **Parameterization** parameter.

Small-signal parameters, [g_{fs} g_{os}] – Small-signal parameters

[3000, 10] μS (default)

A vector of the values of g_{fs} and g_{os} . g_{fs} is the forward transfer conductance, that is, the conductance for a fixed drain-source voltage. g_{os} is the output conductance, that is, the conductance for a fixed gate-source voltage.

Dependencies

This parameter is visible only when you select Specify from a datasheet for the **Parameterization** parameter.

Small-signal measurement point, [V_{gs} V_{ds}] – Small-signal measurement point

[0, 15] V (default)

A vector of the values of V_{GS} and V_{DS} at which g_{fs} and g_{os} are measured. V_{DS} should be greater than zero. For depletion-mode devices, V_{GS} is typically zero.

Dependencies

This parameter is visible only when you select Specify from a datasheet for the **Parameterization** parameter.

Transconductance parameter – Transconductance parameter

$6.2 \times 10^{-4} \text{ A/V}^2$ (default)

The derivative of drain current with respect to gate voltage.

Dependencies

This parameter is visible only when you select Specify using equation parameters directly for the **Parameterization** parameter.

Saturation current – Saturation current

$5 \times 10^{-10} \text{ A}$ (default)

The magnitude of the current that the ideal diode equation approaches asymptotically for very large reverse bias levels.

Dependencies

This parameter is visible only when you select Specify using equation parameters directly for the **Parameterization** parameter.

Threshold voltage – Threshold voltage

-2.3 V (default)

The gate-source voltage above which the transistor produces a nonzero drain current. For an enhancement device, V_{t0} should be positive. For a depletion mode device, V_{t0} should be negative.

Dependencies

This parameter is visible only when you select Specify using equation parameters directly for the **Parameterization** parameter.

Channel-length modulation — Channel-length modulation

0.003 1/V (default)

The channel-length modulation.

Dependencies

This parameter is visible only when you select Specify using equation parameters directly for the **Parameterization** parameter.

Measurement temperature — Measurement temperature

25 degC (default)

The temperature for which the datasheet parameters are quoted.

Ohmic Resistance**Source ohmic resistance — Source ohmic resistance**

0.0001 Ohm (default) | nonnegative scalar

The transistor source resistance.

Drain ohmic resistance — Drain ohmic resistance

0.01 Ohm (default) | nonnegative scalar

The transistor drain resistance.

Junction Capacitance**Parameterization — Junction capacitance parameterization**

Specify from a datasheet (default) | Specify using equation parameters directly

Select one of the following methods for block parameterization:

- Specify from a datasheet — Provide parameters that the block converts to junction capacitance values. This is the default method.
- Specify using equation parameters directly — Provide junction capacitance parameters directly.

Input capacitance, Ciss — Input capacitance

4.5 pF (default)

The gate-source capacitance with the drain shorted to the source.

Dependencies

This parameter is visible only when you select Specify from a datasheet for the **Parameterization** parameter in the **Junction Capacitance** tab.

Reverse transfer capacitance, Crss — Reverse transfer capacitance

1.5 pF (default)

The drain-gate capacitance with the source connected to ground.

Dependencies

This parameter is visible only when you select **Specify** from a datasheet for the **Parameterization** parameter in the **Junction Capacitance** tab.

Gate-source junction capacitance — Gate-source junction capacitance

3 pF (default)

The value of the capacitance placed between the gate and the source.

Dependencies

This parameter is visible only when you select **Specify** using equation parameters directly for the **Parameterization** parameter in the **Junction Capacitance** tab.

Gate-drain junction capacitance — Gate-drain junction capacitance

1.5 pF (default)

The value of the capacitance placed between the gate and the drain.

Dependencies

This parameter is visible only when you select **Specify** using equation parameters directly for the **Parameterization** parameter in the **Junction Capacitance** tab.

Temperature Dependence**Parameterization — Temperature dependence parameterization**

None — Simulate at parameter measurement temperature (default) | Model temperature dependence

Select one of the following methods for temperature dependence parameterization:

- **None — Simulate at parameter measurement temperature** — Temperature dependence is not modeled. This is the default method.
- **Model temperature dependence** — Model temperature-dependent effects. You also have to provide a set of additional parameters depending on the block parameterization method. If you parameterize the block from a datasheet, you have to provide values for I_{gss} and I_{dss} at second measurement temperature. If you parameterize by directly specifying equation parameters, you have to provide the values for EG , XTI , and the gate threshold voltage temperature coefficient, dV_{t0}/dT . Regardless of the block parameterization method, you also have to provide values for BEX and for the simulation temperature, T_s .

Gate reverse current, I_{gss} , at second measurement temperature — Gate reverse current at second measurement temperature

-200 nA (default)

The value of the gate reverse current, I_{gss} , at the second measurement temperature.

Dependencies

This parameter is visible only when you select **Specify** from a datasheet for the **Parameterization** parameter on the **Main** tab.

Saturated drain current, I_{dss} , at second measurement temperature – Saturated drain current at second measurement temperature

2.5 mA (default)

The value of the saturated drain current, I_{dss} , at the second measurement temperature, and when the I_{dss} measurement point is the same as defined by the **I_{dss} measurement point, [V_{gs} V_{ds}]** parameter on the **Main** tab.

Dependencies

This parameter is visible only when you select Specify from a datasheet for the **Parameterization** parameter on the **Main** tab.

Second measurement temperature – Second measurement temperature

125 degC (default)

Second temperature T_{m2} at which **Gate reverse current, I_{gss} , at second measurement temperature** and **Saturated drain current, I_{dss} , at second measurement temperature** are measured.

Dependencies

This parameter is visible only when you select Specify from a datasheet for the **Parameterization** parameter on the **Main** tab.

Energy gap, EG – Energy gap

1.11 eV (default)

Energy gap value.

Dependencies

This parameter is visible only when you select Specify using equation parameters directly for the **Parameterization** parameter on the **Main** tab.

Saturation current temperature exponent, XTI – Saturation current temperature exponent

3 (default)

Saturation current temperature coefficient value.

Dependencies

This parameter is visible only when you select Specify using equation parameters directly for the **Parameterization** parameter on the **Main** tab.

Gate threshold voltage temperature coefficient, dV_{t0}/dT – Gate threshold voltage temperature coefficient

-2 mV/K (default)

The rate of change of gate threshold voltage with temperature.

Dependencies

This parameter is visible only when you select Specify using equation parameters directly for the **Parameterization** parameter on the **Main** tab.

Mobility temperature exponent, BEX — Mobility temperature exponent

-1.5 (default)

Mobility temperature coefficient value. You can use the default value for most JFETs. See the “Assumptions and Limitations” on page 1-884 section for additional considerations.

Device simulation temperature — Device simulation temperature

25 degC (default)

Temperature T_s at which the device is simulated.

Compatibility Considerations

Thermal network simlog paths

Behavior changed in R2019b

From R2019b forward, it is possible to model the thermal network of this block either internally or externally.

As a result, the simlog paths corresponding to the thermal network have changed. If you have a script that programmatically access the simlog, you have to manually update it to reflect these changes.

References

- [1] H. Shichman and D. A. Hodges, *Modeling and simulation of insulated-gate field-effect transistor switching circuits*. IEEE J. Solid State Circuits, SC-3, 1968.
- [2] G. Massobrio and P. Antognetti. *Semiconductor Device Modeling with SPICE*. 2nd Edition, McGraw-Hill, 1993. Chapter 2.

Extended Capabilities

C/C++ Code Generation

Generate C and C++ code using Simulink® Coder™.

See Also

P-Channel JFET

Introduced in R2008a

N-Channel LDMOS FET

N-Channel laterally diffused metal oxide semiconductor or vertically diffused metal oxide semiconductor transistors suitable for high voltage

Library: Simscape / Electrical / Semiconductors & Converters

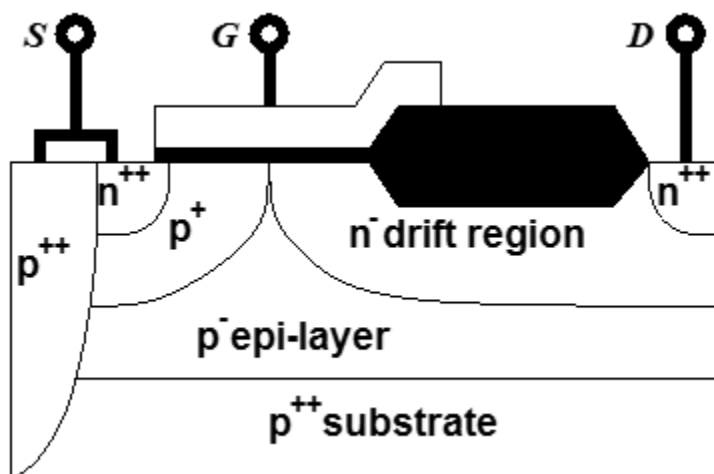


Description

The N-Channel LDMOS FET block lets you model LDMOS (or VDMOS) transistors suitable for high voltage. The model is based on surface potential and includes effects due to an extended drain (drift) region:

- Nonlinear capacitive effects associated with the drift region
- Surface scattering and velocity saturation in the drift region
- Velocity saturation and channel-length modulation in the channel region
- Charge conservation inside the model, so you can use the model for charge sensitive simulations
- The intrinsic body diode
- Reverse recovery in the body diode model
- Temperature scaling of physical parameters
- For the thermal variant (see “Thermal Port” on page 1-895), dynamic self-heating

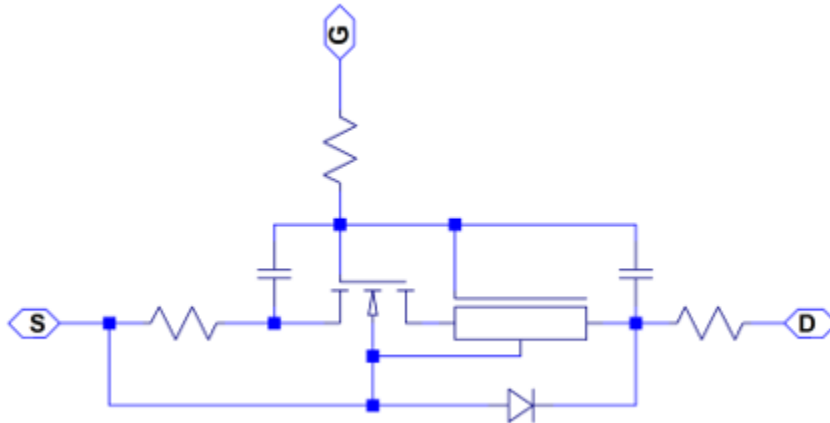
The physical structure of the model is shown in the following figure.



The channel region is in the p+ region, from the heavily n-doped source well to the end of the p+ region. The drift region is a lightly doped drain extension. Further down, there is a p-type epi-layer, and then the entire structure is on a heavily p-doped substrate. The gate oxide is thin over the entire

channel region and over part of the drift region. Further into the drift region, the gate oxide has a greater thickness in the local-oxidation-of-silicon (LOCOS) region.

The next figure shows the equivalent circuit of the model.



The modeling approach is similar to [1]. The overlaps of the gate contact with the source and drain n-wells are modeled as lumped linear capacitances. The channel (p+) region is modeled using the surface-potential-based MOSFET model. The pn-junction between the source/bulk and drain is modeled using an ideal diode, including both junction and diffusion capacitances. The drift region underneath the thin gate oxide is modeled according to a surface-potential formulation, which includes:

- The current due to the accumulation layer at the semiconductor-oxide interface
- The current due to the electrons flowing towards the drain deeper inside the drift region

The space-charge region between the epi-layer and the drift region is represented using a pinching effect on the current flowing through the bulk of the drift region. The LOCOS part of the drift region is modeled as a lumped, series resistor, and there are also series resistances added to the source and gate contacts.

For detailed description of the channel model, see the surface-potential-based model of the N-Channel MOSFET block. The drift region model is similarly derived from the surface potential using the Poisson equation. For an n-type semiconductor under the gradual-channel approximation, the defining equations are:

$$\frac{\partial^2 \psi}{\partial y^2} \approx \frac{qN_D}{\epsilon_{Si}} \left[-1 - \exp\left(\frac{-\psi - 2\phi_B}{\phi_T}\right) + \exp\left(\frac{\psi - V_{CB}}{\phi_T}\right) \right]$$

$$\phi_T = \frac{k_B T}{q}$$

where:

- ψ is the electrostatic potential.
- q is the magnitude of the electronic charge.
- N_D is the doping density of the drift region.

- ϵ_{Si} is the dielectric permittivity of the semiconductor material (for example, silicon).
- ϕ_B is the difference between the intrinsic Fermi level and the Fermi level deep in the drift region.
- V_{CB} is the quasi-Fermi potential of the drift region referenced to the bulk.
- ϕ_T is the thermal voltage.
- k_B is Boltzmann's constant.
- T is temperature.

If we neglect inversion for the DC current model, we obtain the following current expression:

$$I_D = \frac{1}{1 + \theta_{sat} V_{DK}} \left[\frac{f_{lin}}{R_D} V_{DK} + \frac{\beta}{2} \cdot \frac{V_{GK}^2 - V_{GD}^2}{1 + \frac{\theta_{surf}}{2} (V_{GK} + V_{GD})} \right]$$

where:

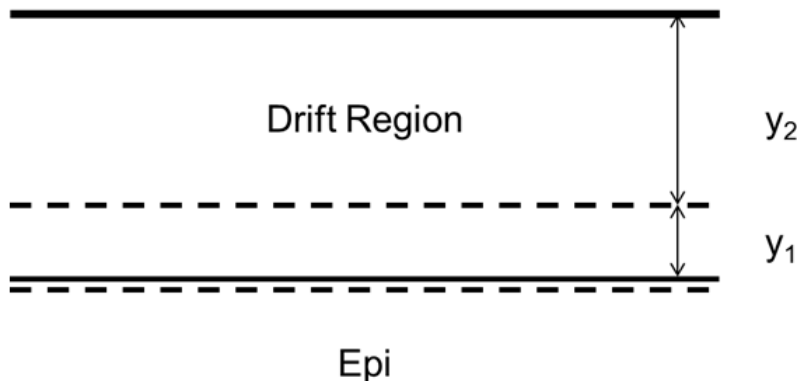
- I_D is the drain current.
- θ_{sat} is the velocity saturation.
- V_{ij} is the voltage difference between nodes i and j , where subscripts D and K refer to the drain and to the junction of the channel and drift regions, respectively, and subscript G refers to the gate with a correction due to the flatband voltage being applied.
- f_{lin}/R_D represents the conductance of the bulk of the drift region, including the effect of pinching due to depletion from the epi-drift interface.
- β is the gain of the accumulation layer at the interface between the drift region and the thin gate oxide.
- θ_{surf} is the parameter that accounts for scattering in the accumulation layer due to the vertical electric field.

The pinching off of the bulk part of the drift region is described by

$$f_{lin} = 1 - \lambda_D \frac{\sqrt{V_{bi} + V_{SB}} - \sqrt{V_{bi}}}{\sqrt{V_{bi}}}$$

where:

- λ_D is the parameter representing the n-side vertical depth of the space-charge region along the epi-drift interface at zero bias divided by the vertical depth of the undepleted part of the drift region at zero bias.



In the figure, the top solid line is the semiconductor surface. The lower solid line is the junction between the drift region and the epi layer. The dashed lines show the extent of the space-charge region around the drift-epi interface. λ_D is y_1/y_2 at zero bias.

- V_{bi} is the built-in voltage for the epi-drift diode.
- V_{SB} is the source-body voltage, used as an approximation to the bias applied across the epi-drift diode. Using this voltage instead of V_{KB} is more numerically stable, and is justified because most of the drain-source voltage drops across the drift region in the transistor on-state.

The charge model is similar to that of the surface-potential-based MOSFET model, with additional expressions to account for the charge in the drift region. The block uses the derived equations as described in [1], which include both inversion and accumulation in the drift region.

Modeling Body Diode

The block models the body diode as an ideal, exponential diode with both junction and diffusion capacitances:

$$I_{dio} = I_s \left[\exp\left(-\frac{V_{DB}}{n\phi_T}\right) - 1 \right]$$

$$C_j = \frac{C_{j0}}{\sqrt{1 + \frac{V_{DB}}{V_{bi}}}}$$

$$C_{diff} = \frac{\tau I_s}{n\phi_T} \exp\left(-\frac{V_{DB}}{n\phi_T}\right)$$

where:

- I_{dio} is the current through the diode.
- I_s is the reverse saturation current.
- V_{DB} is the drain-body voltage.
- n is the ideality factor.
- ϕ_T is the thermal voltage.
- C_j is the junction capacitance of the diode.
- C_{j0} is the zero-bias junction capacitance.
- V_{bi} is the built-in voltage.
- C_{diff} is the diffusion capacitance of the diode.
- τ is the transit time.

The capacitances are defined through an explicit calculation of charges, which are then differentiated to give the capacitive expressions above. The block computes the capacitive diode currents as time derivatives of the relevant charges, similar to the computation in the surface-potential-based MOSFET model.

Modeling Temperature Dependence

The default behavior is that dependence on temperature is not modeled, and the device is simulated at the temperature for which you provide block parameters. To model the dependence on

temperature during simulation, select **Model temperature dependence** for the **Parameterization** parameter on the **Temperature Dependence** tab.

The model includes temperature effects on the capacitance characteristics, as well as modeling the dependence of the transistor static behavior on temperature during simulation.

The **Measurement temperature** parameter on the **Main** tab specifies temperature T_{m1} at which the other device parameters have been extracted. The **Temperature Dependence** parameters provides the simulation temperature, T_s , and the temperature-scaling coefficients for the other device parameters. For more information, see “Temperature Dependence” on page 1-899.

Thermal Port

The block has an optional thermal port, hidden by default. To expose the thermal port, right-click the block in your model, and then from the context menu select **Simscape > Block choices > Show thermal port**. This action displays the thermal port **H** on the block icon, and exposes the **Thermal Port** parameters.

Use the thermal port to simulate the effects of generated heat and device temperature. For more information on using thermal ports and on the **Thermal Port** parameters, see “Simulating Thermal Effects in Semiconductors”.

The thermal variant of the block includes dynamic self-heating, that is, lets you simulate the effect of self-heating on the electrical characteristics of the device.

Ports

Conserving

G – Gate terminal

electrical

Electrical conserving port associated with the transistor gate terminal

D – Drain terminal

electrical

Electrical conserving port associated with the transistor drain terminal

S – Source terminal

electrical

Electrical conserving port associated with the transistor source terminal

Parameters

Main

Gain, [channel drift_region] – Gain

[11.6, .01] A/V (default) | positive vector

The gain, β , of the MOSFET regions. The parameter value is a two-element vector, with the first element corresponding to the channel, and the second — to the drift region. This parameter primarily defines the linear region of operation on an I_D - V_{DS} characteristic.

Flatband voltage, [channel drift_region] – Flatband voltage

[-1.05, -.1] V (default)

The flatband voltage, V_{FB} , defines the gate bias that must be applied in order to achieve the flatband condition at the surface of the silicon. The parameter value is a two-element vector, with the first element corresponding to the channel, and the second — to the drift region. The default value is [-1.05, -0.1] V. You can also use this parameter to arbitrarily shift the threshold voltage due to material work function differences, and to trapped interface or oxide charges. In practice, however, it is usually recommended to modify the threshold voltage by using the **Body factor** and **Surface potential at strong inversion** parameters first, and only use this parameter for fine-tuning.

The threshold voltage for the channel region, for a short-circuited source-bulk connection, is approximately

$$V_T = V_{FB} + 2\phi_B + 2\phi_T + \gamma\sqrt{2\phi_B + 2\phi_T}$$

where $2\phi_B$ is the surface potential at strong inversion and γ is the body factor, both at the channel region.

Body factor, [channel drift_region] – Body factor[3.4, 2.5] $V^{1/2}$ (default)

Body factor, γ , in the surface-potential equation. The parameter value is a two-element vector, with the first element corresponding to the channel, and the second — to the drift region.

For the channel region, the body factor is

$$\gamma = \frac{\sqrt{2q\epsilon_{Si}N_A}}{C_{ox}}$$

See the N-Channel MOSFET block reference page for details on this equation. The drift region equation is similar, except that N_A is replaced by the doping density, N_D . The channel-region parameter value primarily impacts the threshold voltage. For the drift region, this parameter primarily affects the charge model, and also has a minor effect on the pinch-off behavior of the bulk current through the drift region.

Surface potential at strong inversion, [channel drift_region] – Surface potential at strong inversion

[.95, .95] V (default)

The $2\phi_B$ term in the surface-potential equation. The parameter value is a two-element vector, with the first element corresponding to the channel, and the second — to the drift region.

The channel-region parameter value also primarily impacts the threshold voltage. For the drift region, this parameter affects the charge model only.

Velocity saturation factor, [channel drift_region] – Velocity saturation factor

[0, .1] 1/V (default)

Velocity saturation, θ_{sat} , in the drain-current equation. Use this parameter in cases where a good fit to linear operation leads to a saturation current that is too high. By increasing this parameter value, you reduce the saturation current. The parameter value is a two-element vector, with the first element corresponding to the channel, and the second — to the drift region. The default value is [0.0, 0.1] 1/V, which means that velocity saturation in the channel region is off by default.

Drift region surface scattering factor – Drift region surface scattering factor

0 V (default)

Surface scattering factor, θ_{surf} , in the drain-current equation. This parameter applies to the drift region only and accounts for scattering in the accumulation layer due to the vertical electric field.

Channel-length modulation factor – Channel-length modulation factor

0 (default)

The factor, α , multiplying the logarithmic term in the $G_{\Delta L}$ equation. See the N-Channel MOSFET block reference page for details on this equation. This parameter describes the onset of channel-length modulation. For device characteristics that exhibit a positive conductance in saturation, increase the parameter value to fit this behavior. This parameter applies to the channel region only. The default value is 0, which means that channel-length modulation is off by default.

Channel-length modulation voltage – Channel-length modulation voltage

5e-2 V (default)

The voltage V_p in the $G_{\Delta L}$ equation. See the N-Channel MOSFET block reference page for details on this equation. This parameter controls the drain-voltage at which channel-length modulation starts to become active. This parameter applies to the channel region only.

Linear-to-saturation transition coefficient – Linear-to-saturation transition coefficient

8 (default)

This parameter controls how smoothly the MOSFET transitions from linear into saturation, particularly when velocity saturation is enabled. This parameter can usually be left at its default value, but you can use it to fine-tune the knee of the I_D - V_{DS} characteristic. This parameter applies both to the channel and drift regions. The expected range for this parameter value is between 2 and 8.

Measurement temperature – Measurement temperature

25 degC (default)

Temperature T_{m1} at which the block parameters are measured. If the **Device simulation temperature** parameter on the **Temperature Dependence** tab differs from this value, then device parameters will be scaled from their defined values according to the simulation and reference temperatures. For more information, see “Temperature Dependence” on page 1-899.

Ohmic Resistance**Source ohmic resistance – Source ohmic resistance**

1e-4 Ohm (default) | nonnegative scalar

The transistor source resistance, that is, the series resistance associated with the source contact.

Drain ohmic resistance – Drain ohmic resistance

0.07 Ohm (default) | nonnegative scalar

The transistor drain resistance, that is, the series resistance associated with the drain contact and with the LOCOS part of the drift region, which is not heavily impacted by the applied gate voltage.

Gate ohmic resistance – Gate ohmic resistance

8.4 Ohm (default) | nonnegative scalar

The transistor gate resistance, that is, the series resistance associated with the gate contact.

Drift region low-bias resistance for gated region — Drift region low-bias resistance for gated region

0.1 Ohm (default) | nonnegative scalar

Resistance R_D in the drain-current equation. It represents the resistance of the bulk part of the drift region in the absence of depletion from the top and bottom interfaces.

Drift region depletion layer thickness factor — Drift region depletion layer thickness factor

0.2 (default)

Parameter λ_D in the drain-current equation. It is the ratio of vertical depths y_1 and y_2 at zero bias, where y_1 represents the space-charge region and y_2 represents the undepleted part of the drift region.

Capacitances

Oxide capacitance, [channel drift_region] — Oxide capacitance

[1600, 1000] pF (default)

The parallel plate gate-channel and gate-drift-region capacitance. The parameter value is a two-element vector, with the first element corresponding to the channel, and the second — to the drift region.

Gate-source overlap capacitance — Gate-source overlap capacitance

15 pF (default)

The fixed, linear capacitance associated with the overlap of the gate electrode with the source well.

Gate-drain overlap capacitance — Gate-drain overlap capacitance

15 pF (default)

The fixed, linear capacitance associated with the overlap of the gate electrode with the drain well.

Body Diode

Reverse saturation current — Reverse saturation current

1e-13 A (default)

The current designated by the I_s symbol in the body-diode equations.

Built-in voltage — Built-in voltage

0.6 V (default)

The built-in voltage of the diode, designated by the V_{bi} symbol in the body-diode equations.

Ideality factor — Ideality factor

1 (default)

The factor designated by the n symbol in the body-diode equations.

Zero-bias junction capacitance — Zero-bias junction capacitance

1800 pF (default)

The capacitance between the drain and bulk contacts at zero-bias due to the body diode alone. It is designated by the C_{j0} symbol in the body-diode equations.

Transit time — Transit time

50e-9 s (default)

The time designated by the τ symbol in the body-diode equations.

Temperature Dependence

Parameterization — Temperature dependence parameterization

None — Simulate at parameter measurement temperature (default) | Model temperature dependence

Select one of the following methods for temperature dependence parameterization:

- None — Simulate at parameter measurement temperature — Temperature dependence is not modeled. This is the default method.
- Model temperature dependence — Model temperature-dependent effects. Provide a value for the device simulation temperature, T_s , and the temperature-scaling coefficients for other block parameters.

Device simulation temperature — Device simulation temperature

25 degC (default)

Temperature T_s at which the device is simulated

Gain temperature exponent, [channel drift_region] — Gain temperature exponent

[1.3, 1.3] (default)

The parameter value is a two-element vector, with the first element corresponding to the channel, and the second — to the drift region. Both in the channel and the drift region, the MOSFET gain, β , is assumed to scale exponentially with temperature, $\beta = \beta_{m1} (T_{m1}/T_s)^{\eta_\beta}$. β_{m1} is the value of the channel or drift region gain, as specified by the **Gain, [channel drift_region]** parameter from the **Main** tab. η_β is the corresponding element of the **Gain temperature exponent, [channel drift_region]** parameter.

Flatband voltage temperature coefficient, [channel drift_region] — Flatband voltage temperature coefficient

[.0005, .0005] V/K (default)

The parameter value is a two-element vector, with the first element corresponding to the channel, and the second — to the drift region. The flatband voltage, V_{FB} , is assumed to scale linearly with temperature, $V_{FB} = V_{FBm1} + (T_s - T_{m1})S_{TV_{FB}}$. V_{FBm1} is the value of the channel or drift region flatband voltage, as specified by the **Flatband voltage, [channel drift_region]** parameter from the **Main** tab. $S_{TV_{FB}}$ is the corresponding element of the **Flatband voltage temperature coefficient, [channel drift_region]** parameter.

Surface potential at strong inversion temperature coefficient — Surface potential

-8.5e-4 V/K (default)

The surface potential at strong inversion, $2\phi_B$, is assumed to scale linearly with temperature, $2\phi_B = 2\phi_{Bm1} + (T_s - T_{m1})S_{T\phi_B}$. $2\phi_{Bm1}$ is the value of the **Surface potential at strong inversion** parameter

from the **Main** tab and S_{T,ϕ_B} is the **Surface potential at strong inversion temperature coefficient**.

Velocity saturation temperature exponent, [channel drift_region] — Velocity saturation temperature exponent

[1.04, 1.04] (default)

The parameter value is a two-element vector, with the first element corresponding to the channel, and the second — to the drift region. The velocity saturation, θ_{sat} , is assumed to scale exponentially with temperature, $\theta_{sat} = \theta_{sat,m1} (T_{m1}/T_s)^{\eta_\theta}$. $\theta_{sat,m1}$ is the value of the channel or drift region velocity saturation factor, as specified by the **Velocity saturation factor, [channel drift_region]** parameter from the **Main** tab. η_θ is the corresponding element of the **Velocity saturation temperature exponent, [channel drift_region]** parameter.

Ohmic resistance temperature exponent — Ohmic resistance temperature exponent

0.95 (default)

The series resistances are assumed to correspond to semiconductor resistances. Therefore, they decrease exponentially with increasing temperature. $R_i = R_{i,m1} (T/T_s)^{\eta_R}$, where i is S_{m1} , D , or G , for the source, drain, or gate series resistance, respectively. $R_{i,m1}$ is the value of the corresponding series resistance parameter from the **Ohmic Resistance** tab and η_R is the **Ohmic resistance temperature exponent**.

Drift region low-bias resistance temperature exponent for gated portion — Drift region low-bias resistance temperature exponent for gated portion

0.95 (default)

Resistance R_D , the low-bias resistance of the bulk part of the drift region, scales similarly to the other series resistances. A separate value of the temperature exponent for this resistance provides an extra degree of freedom.

Body diode reverse saturation current temperature exponent — Body diode reverse saturation current temperature exponent

3 (default)

The reverse saturation current for the body diode is assumed to be proportional to the square of the intrinsic carrier concentration, $n_i = N_C \exp(-E_G/2k_B T)$. N_C is the temperature-dependent effective density of states and E_G is the temperature-dependent bandgap for the semiconductor material. To avoid introducing another temperature-scaling parameter, the block neglects the temperature dependence of the bandgap and uses the bandgap of silicon at 300K (1.12eV) for all device types. Therefore, the temperature-scaled reverse saturation current is given by

$$I_s = I_{s,m1} \left(\frac{T_s}{T_{m1}} \right)^{\eta_{Is}} \cdot \exp \left(\frac{E_G}{k_B} \cdot \left(\frac{1}{T_{m1}} - \frac{1}{T_s} \right) \right).$$

$I_{s,m1}$ is the value of the **Reverse saturation current** parameter from the **Body Diode** tab, k_B is Boltzmann's constant (8.617x10⁻⁵eV/K), and η_{Is} is the **Body diode reverse saturation current temperature exponent**. The default value is 3, because N_C for silicon is roughly proportional to $T^{3/2}$. You can remedy the effect of neglecting the temperature-dependence of the bandgap by a pragmatic choice of η_{Is} .

Compatibility Considerations

Thermal network simlog paths

Behavior changed in R2019b

From R2019b forward, it is possible to model the thermal network of this block either internally or externally.

As a result, the simlog paths corresponding to the thermal network have changed. If you have a script that programmatically access the simlog, you have to manually update it to reflect these changes.

References

- [1] Aarts, A., N. D'Halleweyn, and R. Van Langevelde. "A Surface-Potential-Based High-Voltage Compact LDMOS Transistor Model." *IEEE Transactions on Electron Devices*. 52(5):999 - 1007. June 2005.
- [2] Van Langevelde, R., A. J. Scholten, and D. B. M. Klaassen. "Physical Background of MOS Model 11. Level 1101." *Nat.Lab. Unclassified Report 2003/00239*. April 2003.
- [3] Oh, S-Y., D. E. Ward, and R. W. Dutton. "Transient analysis of MOS transistors." *IEEE J. Solid State Circuits*. SC-15, pp. 636-643, 1980.

Extended Capabilities

C/C++ Code Generation

Generate C and C++ code using Simulink® Coder™.

See Also

N-Channel MOSFET | P-Channel LDMOS FET

Introduced in R2016b

N-Channel MOSFET

N-Channel metal oxide semiconductor field effect transistor using either Shichman-Hodges equation or surface-potential-based model

Library: Simscape / Electrical / Semiconductors & Converters



Description

The N-Channel MOSFET block provides two main modeling variants:

- Based on threshold voltage — Uses the Shichman-Hodges equation to represent the device. This modeling approach, based on threshold voltage, has the benefits of simple parameterization and simple current-voltage expressions. However, these models have difficulty in accurately capturing transitions across the threshold voltage and lack some important effects, such as velocity saturation. For details, see “Threshold-Based Model” on page 1-902.
- Based on surface potential — Uses the surface-potential equation to represent the device. This modeling approach provides a greater level of model fidelity than the simple square-law (threshold-voltage-based) models can provide. The trade-off is that there are more parameters that require extraction. For details, see “Surface-Potential-Based Model” on page 1-906.

Together with the thermal port variants (see “Thermal Port” on page 1-912), the block therefore provides you with four choices. To select the desired variant, right-click the block in your model. From the context menu, select **Simscape > Block choices**, and then one of the following options:

- **Threshold-based** — Basic model, which represents the device using the Shichman-Hodges equation (based on threshold voltage) and does not simulate thermal effects. This is the default.
- **Threshold-based with thermal** — Model based on threshold voltage and with exposed thermal port.
- **Surface-potential-based** — Model based on surface potential. This model does not simulate thermal effects.
- **Surface-potential-based with thermal** — Thermal variant of the model based on surface potential.

Threshold-Based Model

The threshold-based variant of the block uses the Shichman and Hodges equations [1] for an insulated-gate field-effect transistor to represent an N-Channel MOSFET.

The drain-source current, I_{DS} , depends on the region of operation:

- In the off region ($V_{GS} < V_{th}$), the drain-source current is:

$$I_{DS} = 0$$

- In the linear region ($0 < V_{DS} < V_{GS} - V_{th}$), the drain-source current is:

$$I_{DS} = K((V_{GS} - V_{th})V_{DS} - V_{DS}^2/2)(1 + \lambda |V_{DS}|)$$

- In the saturated region ($0 < V_{GS} - V_{th} < V_{DS}$), the drain-source current is:

$$I_{DS} = (K/2)(V_{GS} - V_{th})^2(1 + \lambda |V_{DS}|)$$

In the preceding equations:

- K is the transistor gain.
- V_{DS} is the positive drain-source voltage.
- V_{GS} is the gate-source voltage.
- V_{th} is the threshold voltage. For the four terminal parameterization, V_{th} is obtained using these equations:

V_{BS} Range	V_{th} Equation
$V_{BS} \leq 0$	$V_{th} = V_{T0} + \gamma(-\sqrt{2\phi_B}) + \gamma(\sqrt{2\phi_B} - V_{BS})$
$0 < V_{BS} \leq 4\phi_B$	$V_{th} = V_{T0} - \frac{\gamma V_{BS}}{\sqrt{2\phi_B}}$
$V_{BS} > 4\phi_B$	$V_{th} = V_{T0} + \gamma(-\sqrt{2\phi_B})$

- λ is the channel modulation.

Charge Model for Threshold-Based Variant

The block models junction capacitances either by fixed capacitance values, or by tabulated values as a function of the drain-source voltage. In either case, you can either directly specify the gate-source and gate-drain junction capacitance values, or let the block derive them from the input and reverse transfer capacitance values. Therefore, the **Parameterization** options for charge model on the **Junction Capacitance** tab are:

- Specify fixed input, reverse transfer and output capacitance — Provide fixed parameter values from datasheet and let the block convert the input and reverse transfer capacitance values to junction capacitance values, as described below. This is the default method.
- Specify fixed gate-source, gate-drain and drain-source capacitance — Provide fixed values for junction capacitance parameters directly.
- Specify tabulated input, reverse transfer and output capacitance — Provide tabulated capacitance and drain-source voltage values based on datasheet plots. The block converts the input and reverse transfer capacitance values to junction capacitance values, as described below.
- Specify tabulated gate-source, gate-drain and drain-source capacitance — Provide tabulated values for junction capacitances and drain-source voltage.

Use one of the tabulated capacitance options (Specify tabulated input, reverse transfer and output capacitance or Specify tabulated gate-source, gate-drain and drain-source capacitance) when the datasheet provides a plot of junction capacitances as a function of drain-source voltage. Using tabulated capacitance values gives more accurate dynamic characteristics and avoids the need for interactive tuning of parameters to fit the dynamics.

If you use the Specify fixed gate-source, gate-drain and drain-source capacitance or Specify tabulated gate-source, gate-drain and drain-source capacitance option, the **Junction Capacitance** tab lets you specify the **Gate-drain junction capacitance**, **Gate-**

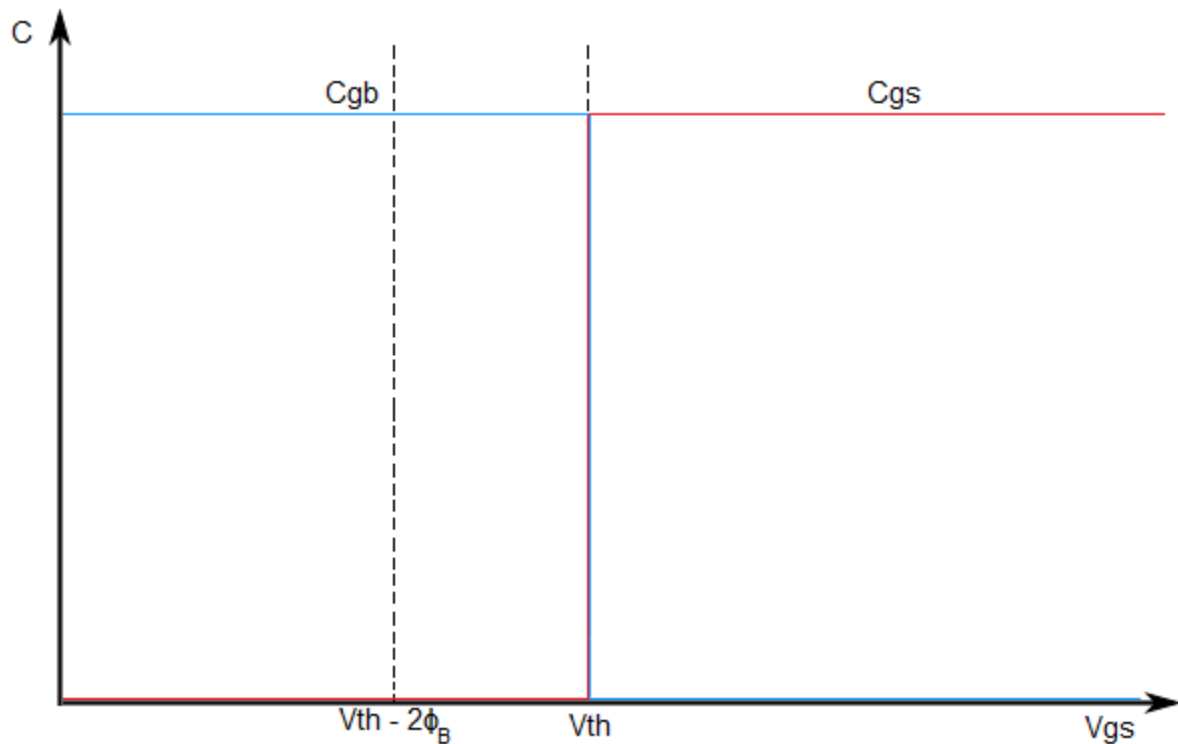
source junction capacitance, and **Drain-source junction capacitance** parameter values (fixed or tabulated) directly. Otherwise, the block derives them from the **Input capacitance, C_{iss} , Reverse transfer capacitance, C_{rss} , and Output capacitance, C_{oss}** parameter values. These two parameterization methods are related as follows:

- $C_{GD} = C_{rss}$
- $C_{GS} = C_{iss} - C_{rss}$
- $C_{DS} = C_{oss} - C_{rss}$

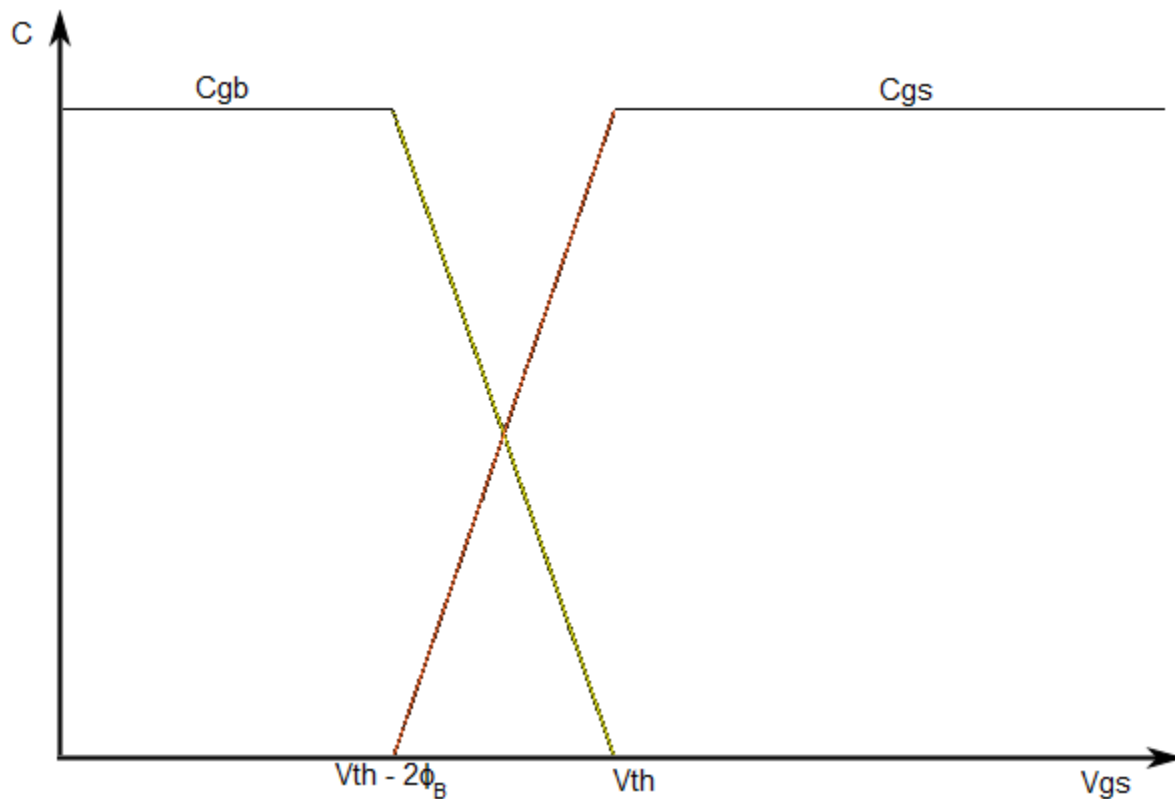
For the four terminals parameterization, the **Input capacitance, C_{iss} , Reverse transfer capacitance, C_{rss} , and Output capacitance, C_{oss}** are obtained using these equations:

- $C_{GD} = C_{rss}$
- $C_{GS} + C_{GB} = C_{iss} - C_{rss}$
- $C_{DB} = C_{oss} - C_{rss}$

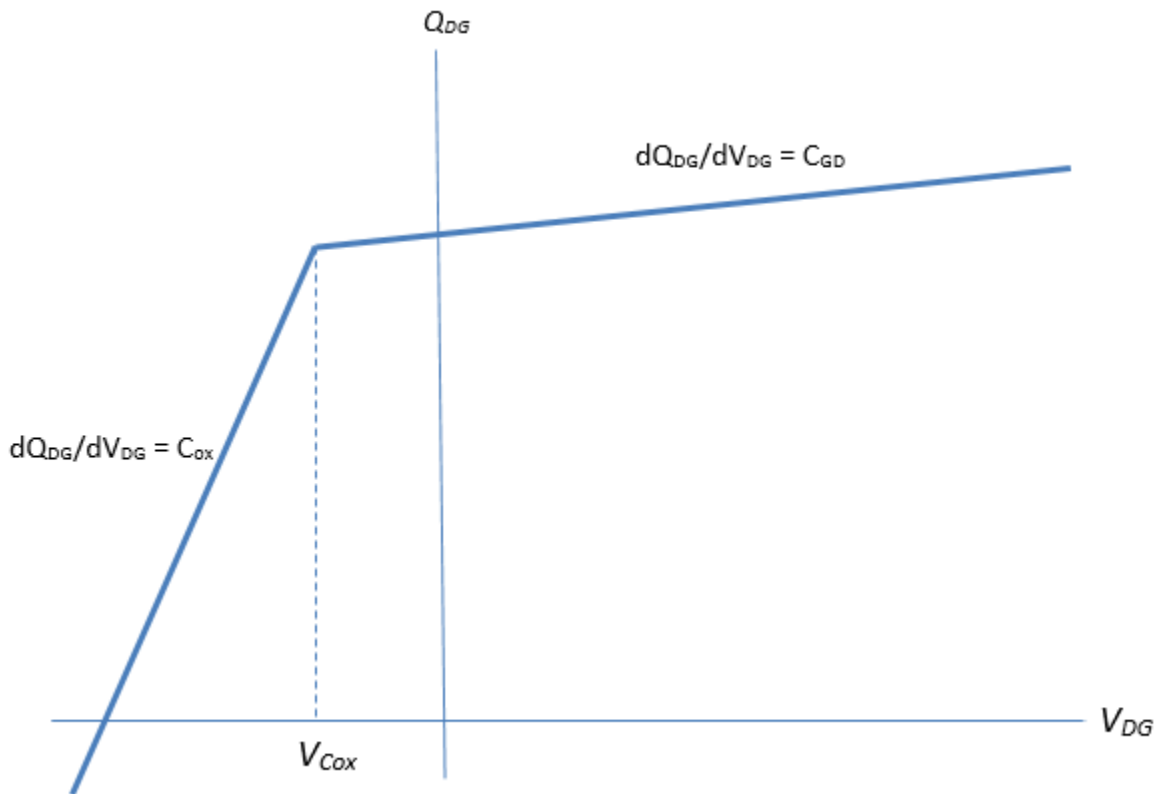
A simplified Meyer's capacitance model is used to describe the gate-source capacitance, C_{GS} , the gate-bulk capacitance, C_{GB} , and the gate-drain capacitance, C_{GD} . These figures show how the gate-bulk and gate-source capacitances change instantaneously, while the



Gate-bulk and gate-source capacitance change instantaneously.



The two fixed capacitance options (Specify fixed input, reverse transfer and output capacitance or Specify fixed gate-source, gate-drain and drain-source capacitance) let you model gate junction capacitance as a fixed gate-source capacitance C_{GS} and either a fixed or a nonlinear gate-drain capacitance C_{GD} . If you select the Gate-drain charge function is nonlinear option for the **Gate-drain charge-voltage linearity** parameter, then the gate-drain charge relationship is defined by the piecewise-linear function shown in the following figure.



Nonlinear gate-drain charge function

For instructions on how to map a time response to device capacitance values, see the N-Channel IGBT block reference page. However, this mapping is only approximate because the Miller voltage typically varies more from the threshold voltage than in the case for the IGBT.

Note Because this block implementation includes a charge model, you must model the impedance of the circuit driving the gate to obtain representative turn-on and turn-off dynamics. Therefore, if you are simplifying the gate drive circuit by representing it as a controlled voltage source, you must include a suitable series resistor between the voltage source and the gate.

Surface-Potential-Based Model

The surface-potential-based variant of the block provides a greater level of model fidelity than the simple square-law (threshold-voltage-based) model. The surface-potential-based block variant includes the following effects:

- Fully nonlinear capacitance model (including the nonlinear Miller capacitance)
- Charge conservation inside the model, so you can use the model for charge sensitive simulations
- Velocity saturation and channel-length modulation
- The intrinsic body diode
- Reverse recovery in the body diode model

- Temperature scaling of physical parameters
- For the thermal variant, dynamic self-heating (that is, you can simulate the effect of self-heating on the electrical characteristics of the device)

This model is a minimal version of the world-standard PSP model (see <https://briefs.techconnect.org/papers/introduction-to-psp-mosfet-model/>), including only certain effects from the PSP model in order to strike a balance between model fidelity and complexity. For details of the physical background to the phenomena included in this model, see [2].

The basis of the model is Poisson equation:

$$\frac{\partial^2 \psi}{\partial x^2} + \frac{\partial^2 \psi}{\partial y^2} = \frac{qN_A}{\epsilon_{Si}} \left[1 - \exp\left(\frac{-\psi}{\phi_T}\right) + \exp\left(\frac{\psi - 2\phi_B - V_{CB}}{\phi_T}\right) \right]$$

$$\phi_T = \frac{k_B T}{q}$$

where:

- ψ is the electrostatic potential.
- q is the magnitude of the electronic charge.
- N_A is the density of acceptors in the substrate.
- ϵ_{Si} is the dielectric permittivity of the semiconductor material (for example, silicon).
- ϕ_B is the difference between the intrinsic Fermi level and the Fermi level in the bulk silicon.
- V_{CB} is the quasi-Fermi potential of the surface layer referenced to the bulk.
- ϕ_T is the thermal voltage.
- k_B is Boltzmann's constant.
- T is temperature.

Poisson equation is used to derive the surface-potential equation:

$$(V_{GB} - V_{FB} - \psi_s)^2 = \gamma^2 \left[\psi_s + \phi_T \left(\exp\left(\frac{-\psi_s}{\phi_T}\right) - 1 \right) + \phi_T \exp\left(-\frac{2\phi_B + V_{CB}}{\phi_T}\right) \left(\exp\left(\frac{\psi_s}{\phi_T}\right) - 1 \right) \right]$$

where:

- V_{GB} is the applied gate-body voltage.
- V_{FB} is the flatband voltage.
- ψ_s is the surface potential.
- γ is the body factor,

$$\gamma = \frac{\sqrt{2q\epsilon_{Si}N_A}}{C_{ox}}$$

- C_{ox} is the capacitance per unit area.

The block uses an explicit approximation to the surface-potential equation, to avoid the need for numerical solution to this implicit equation.

Once the surface potential is known, the drain current I_D is given by

$$I_D = \frac{W\mu_0}{LG_{\Delta L}G_{mob}\sqrt{1 + (\theta_{sat}\Delta\psi)^2}}[-\bar{Q}_{inv}\Delta\psi + \phi_T(Q_{invL} - Q_{inv0})]$$

where:

- W is the device width.
- L is the channel length.
- μ_0 is the low-field mobility.
- θ_{sat} is the velocity saturation.
- $\Delta\psi$ is the difference in the surface potential between the drain and the source.
- Q_{inv0} and Q_{invL} are the inversion charge densities at the source and drain, respectively.
- \bar{Q}_{inv} is the average inversion charge density across the channel.
- G_{mob} is the mobility reduction factor. For more information, see the **Surface roughness scattering factor** parameter description in the “Main (Surface-Potential-Based Variant)” on page 1-916 section.
- $G_{\Delta L}$ is the channel-length modulation.

$$G_{\Delta L} = 1 - \frac{\Delta L}{L} = 1 - \alpha \ln \left[\frac{V_{DB} - V_{DB,eff} + \sqrt{(V_{DB} - V_{DB,eff})^2 + V_p^2}}{V_p} \right]$$

where:

- α is the channel-length modulation factor.
- V_{DB} is the drain-body voltage.
- $V_{DB,eff}$ is the drain-body voltage clipped to a maximum value corresponding to velocity saturation or pinch-off (whichever occurs first).
- V_p is the channel-length modulation voltage.

The block computes the inversion charge densities directly from the surface potential.

The block also computes the nonlinear capacitances from the surface potential. Source and drain charge contributions are assigned via a bias-dependent Ward-Dutton charge-partitioning scheme, as described in [3]. These charges are computed explicitly, so this model is charge-conserving. The capacitive currents are computed by taking the time derivatives of the relevant charges. In practice, the charges within the simulation are normalized to the oxide capacitance and computed in units of volts.

The MOSFET gain, β , is given by

$$\beta = \frac{W\mu_0 C_{ox}}{L}$$

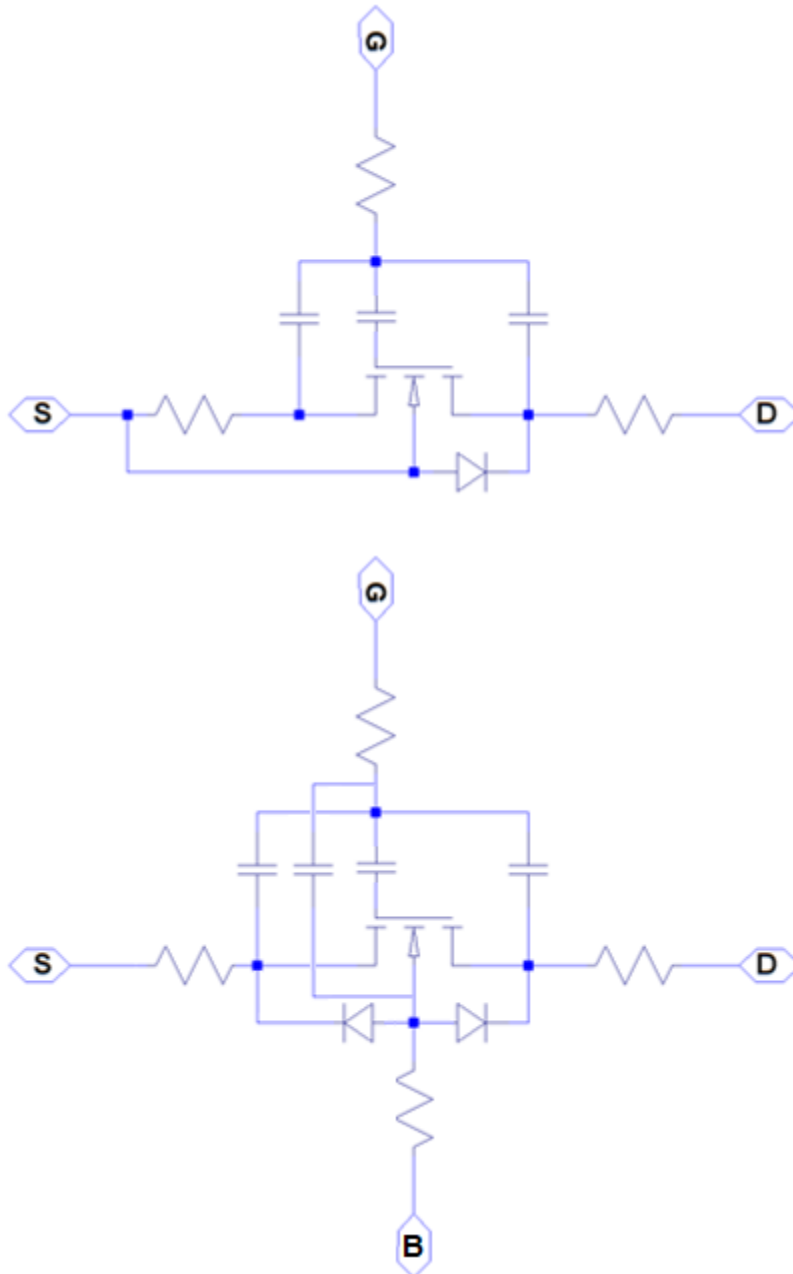
The threshold voltage for a short-circuited source-bulk connection is approximately given by

$$V_T = V_{FB} + 2\phi_B + 2\phi_T + \gamma\sqrt{2\phi_B + 2\phi_T}$$

where:

- $2\phi_B$ is the surface potential at strong inversion.

The overall three and four terminal models consist of an intrinsic MOSFET defined by the surface-potential formulation, a body diode, series resistances, and fixed overlap capacitances, as shown in the schematics.



Modeling Body Diode

The block models the body diode as an ideal, exponential diode with both junction and diffusion capacitances:

$$I_{dio} = I_s \left[\exp\left(-\frac{V_{DB}}{n\phi_T}\right) - 1 \right]$$

$$C_j = \frac{C_{j0}}{\sqrt{1 + \frac{V_{DB}}{V_{bi}}}}$$

$$C_{diff} = \frac{\tau I_s}{n\phi_T} \exp\left(-\frac{V_{DB}}{n\phi_T}\right)$$

where:

- I_{dio} is the current through the diode.
- I_s is the reverse saturation current.
- V_{DB} is the drain-body voltage.
- n is the ideality factor.
- ϕ_T is the thermal voltage.
- C_j is the junction capacitance of the diode.
- C_{j0} is the zero-bias junction capacitance.
- V_{bi} is the built-in voltage.
- C_{diff} is the diffusion capacitance of the diode.
- τ is the transit time.

The capacitances are defined through an explicit calculation of charges, which are then differentiated to give the capacitive expressions above. The block computes the capacitive diode currents as time derivatives of the relevant charges, similar to the computation in the surface-potential-based MOSFET model.

Modeling Temperature Dependence

The default behavior is that dependence on temperature is not modeled, and the device is simulated at the temperature for which you provide block parameters. To model the dependence on temperature during simulation, select `Model temperature dependence` for the **Parameterization** parameter on the **Temperature Dependence** tab.

Threshold-Based Model

For threshold-based variant, you can include modeling the dependence of the transistor static behavior on temperature during simulation. Temperature dependence of the junction capacitances is not modeled, this being a much smaller effect.

When including temperature dependence, the transistor defining equations remain the same. The gain, K , and the threshold voltage, V_{th} , become a function of temperature according to the following equations:

$$K_{Ts} = K_{Tm1} \left(\frac{T_s}{T_{m1}} \right)^{BEX}$$

$$V_{ths} = V_{th1} + \alpha (T_s - T_{m1})$$

where:

- T_{m1} is the temperature at which the transistor parameters are specified, as defined by the **Measurement temperature** parameter value.
- T_s is the simulation temperature.
- K_{Tm1} is the transistor gain at the measurement temperature.
- K_{Ts} is the transistor gain at the simulation temperature. This is the transistor gain value used in the MOSFET equations when temperature dependence is modeled.
- V_{th1} is the threshold voltage at the measurement temperature.
- V_{ths} is the threshold voltage at the simulation temperature. This is the threshold voltage value used in the MOSFET equations when temperature dependence is modeled.
- BEX is the mobility temperature exponent. A typical value of BEX is -1.5.
- α is the gate threshold voltage temperature coefficient, dV_{th}/dT .

For the four terminals parameterization, V_{th} is obtained using these equations:

V_{BS} Range	V_{th} Equation
$V_{BS} \leq 0$	$\frac{dV_{th}}{dT} = \frac{dV_{T0}}{dT} - \frac{\gamma}{2\sqrt{2\phi_B}} \frac{d2\phi_B}{dT} + \frac{\gamma}{2\sqrt{2\phi_B - V_{BS}}} \frac{d2\phi_B}{dT}$
$0 < V_{BS} \leq 4\phi_B$	$\frac{dV_{th}}{dT} = \frac{dV_{T0}}{dT} - \frac{\gamma V_{BS}}{4} (2\phi_B)^{-\frac{3}{2}} \frac{d2\phi_B}{dT}$
$V_{BS} > 4\phi_B$	$\frac{dV_{th}}{dT} = \frac{dV_{T0}}{dT} - \frac{\gamma}{2\sqrt{2\phi_B}} \frac{d2\phi_B}{dT}$

Where:

- $\phi_B = \frac{kT}{q} \ln\left(\frac{N_B}{n_i}\right)$ is the surface potential and $\frac{d2\phi_B}{dT} = \frac{1}{T} \left[2\phi_B - \left(\frac{E_g(0)}{q} + \frac{3kT}{q} \right) \right]$.
- $E_g(0)$ is the extrapolated zero degree band-gap, which is equal to 1.16 eV for silicon.
- V_{BS} is the bulk-source voltage.

For most MOSFETS, you can use the default value of -1.5 for BEX . Some datasheets quote the value for α , but most typically they provide the temperature dependence for drain-source on resistance, $R_{DS(on)}$. Depending on the block parameterization method, you have two ways of specifying α :

- If you parameterize the block from a datasheet, you have to provide $R_{DS(on)}$ at a second measurement temperature. The block then calculates the value for α based on this data.
- If you parameterize by specifying equation parameters, you have to provide the value for α directly.

If you have more data comprising drain current as a function of gate-source voltage for more than one temperature, then you can also use Simulink Design Optimization software to help tune the values for α and BEX .

Surface-Potential-Based Model

The surface-potential-based model includes temperature effects on the capacitance characteristics, as well as modeling the dependence of the transistor static behavior on temperature during simulation.

The **Measurement temperature** parameter on the **Main** tab specifies temperature T_{m1} at which the other device parameters have been extracted. The **Temperature Dependence** tab provides the

simulation temperature, T_s , and the temperature-scaling coefficients for the other device parameters. For more information, see “Temperature Dependence (Surface-Potential-Based Variant)” on page 1-925.

Thermal Port

The block has an optional thermal port, hidden by default. To expose the thermal port, right-click the block in your model, and select the appropriate block variant:

- For a model based on threshold voltage and with exposed thermal port, select **Simscape > Block choices > Threshold-based with thermal**.
- For a thermal variant of the model based on surface potential, select **Simscape > Block choices > Surface-potential-based with thermal**.

This action displays the thermal port **H** on the block icon, and exposes the **Thermal Port** parameters.

Use the thermal port to simulate the effects of generated heat and device temperature. For more information on using thermal ports and on the **Thermal Port** parameters, see “Simulating Thermal Effects in Semiconductors”.

Assumptions and Limitations

When modeling temperature dependence for the threshold-based block variant, consider the following:

- The block does not account for temperature-dependent effects on the junction capacitances.
- When you specify $R_{DS(on)}$ at a second measurement temperature, it must be quoted for the same working point (that is, the same drain current and gate-source voltage) as for the other $R_{DS(on)}$ value. Inconsistent values for $R_{DS(on)}$ at the higher temperature will result in unphysical values for α and unrepresentative simulation results. Typically $R_{DS(on)}$ increases by a factor of about 1.5 for a hundred degree increase in temperature.
- You may need to tune the values of BEX and threshold voltage, V_{th} , to replicate the $I_{DS}-V_{GS}$ relationship (if available) for a given device. Increasing V_{th} moves the $I_{DS}-V_{GS}$ plots to the right. The value of BEX affects whether the $I_{DS}-V_{GS}$ curves for different temperatures cross each other, or not, for the ranges of V_{DS} and V_{GS} considered. Therefore, an inappropriate value can result in the different temperature curves appearing to be reordered. Quoting $R_{DS(on)}$ values for higher currents, preferably close to the current at which it will operate in your circuit, will reduce sensitivity to the precise value of BEX .

Ports

Conserving

G — Gate terminal

electrical

Electrical conserving port associated with the transistor gate terminal

D — Drain terminal

electrical

Electrical conserving port associated with the transistor drain terminal

S – Source terminal

electrical

Electrical conserving port associated with the transistor source terminal

B – Body terminal

electrical

Electrical conserving port associated with the transistor body terminal

Dependencies

To enable this port, set **Parameterization** to Four.

Parameters**Main (Threshold-Based Variant)**

This configuration of the **Main** parameters corresponds to the threshold-based block variant, which is the default. If you are using the surface-potential-based variant of the block, see “Main (Surface-Potential-Based Variant)” on page 1-916.

Number of terminals – Terminal parameterization

Three (default) | Four

Number of terminals of the block.

Parameterization – Block parameterization

Specify from a datasheet (default) | Specify using equation parameters directly

Select one of the following methods for block parameterization:

- Specify from a datasheet — Provide the drain-source on resistance and the corresponding drain current and gate-source voltage. The block calculates the transistor gain for the Shichman and Hodges equations from this information.
- Specify using equation parameters directly — Provide the transistor gain.

Drain-source on resistance, $R_{DS(on)}$ – Drain-source on resistance

0.025 Ohm (default)

The ratio of the drain-source voltage to the drain current for specified values of drain current and gate-source voltage. $R_{DS(on)}$ should have a positive value.

Dependencies

This parameter is visible only when you select Specify from a datasheet for the **Parameterization** parameter.

Drain current, I_{DS} , for $R_{DS(on)}$ – Drain current

6A (default)

The drain current the block uses to calculate the value of the drain-source resistance. I_{DS} should have a positive value.

Dependencies

This parameter is visible only when you select **Specify** from a datasheet for the **Parameterization** parameter.

Gate-source voltage, Vgs, for R_DS(on) — Gate-source voltage, Vgs

10 V (default)

The gate-source voltage the block uses to calculate the value of the drain-source resistance. V_{GS} should have a positive value.

Dependencies

This parameter is visible only when you select **Specify** from a datasheet for the **Parameterization** parameter.

Gain, K — Positive constant gain coefficient

5.0 A/V² (default)

Positive constant gain coefficient for the Shichman and Hodges equations.

Dependencies

To enable this parameter, set **Parameterization** to **Specify** using equation parameters directly.

Gate-source threshold voltage, Vth — Gate-source threshold voltage

1.7 V (default)

Gate-source threshold voltage V_{th} in the Shichman and Hodges equations. For an enhancement device, V_{th} should be positive. For a depletion mode device, V_{th} should be negative.

Dependencies

To enable this parameter, set **Number of terminals** to **Three**.

Gate-source threshold voltage at zero bulk-source voltage, Vth0 — Gate-source threshold voltage at zero bulk-source voltage

1.7 V (default)

Gate-source threshold voltage at zero bulk-source voltage V_{th0} in the Shichman and Hodges equations.

Dependencies

To enable this parameter, set **Number of terminals** to **Four**.

Channel modulation, L — Channel modulation

0 1/V (default)

The channel-length modulation, usually denoted by the mathematical symbol λ . When in the saturated region, it is the rate of change of drain current with drain-source voltage. The effect on drain current is typically small, and the effect is neglected if calculating transistor gain K from drain-source on-resistance, $R_{DS(on)}$. A typical value is 0.02, but the effect can be ignored in most circuit simulations. However, in some circuits a small nonzero value may help numerical convergence.

Gate-source threshold voltage at first non-zero bulk-source voltage, Vth1 — Gate-source threshold voltage at first non-zero bulk-source voltage

1.9071 V (default)

Gate-source threshold voltage at first non-zero bulk-source voltage V_{th1} in the Shichman and Hodges equations.

Dependencies

To enable this parameter, set:

- **Number of terminals** to Four
- **Parameterization** to Specify from a datasheet

First bulk-source voltage, Vbs1 — First bulk-source voltage

-1 V (default)

First bulk-source voltage, V_{bs1}

Dependencies

To enable this parameter, set:

- **Number of terminals** to Four
- **Parameterization** to Specify from a datasheet

Gate-source threshold voltage at second non-zero bulk-source voltage, Vth2 — Gate-source threshold voltage at second non-zero bulk-source voltage

2.066 V (default)

Gate-source threshold voltage at second non-zero bulk-source voltage V_{th2} in the Shichman and Hodges equations.

Dependencies

To enable this parameter, set:

- **Number of terminals** to Four
- **Parameterization** to Specify from a datasheet

Second bulk-source voltage, Vbs2 — Second bulk-source voltage

-2 V (default)

Second bulk-source voltage, V_{bs2}

Dependencies

To enable this parameter, set:

- **Number of terminals** to Four
- **Parameterization** to Specify from a datasheet

Body factor — Body factor

$0.5 V^{0.50000}$ (default)

Body factor, γ .

Dependencies

To enable this parameter, set:

- **Number of terminals** to Four
- **Parameterization** to Specify using equations parameters directly

Surface potential – Surface potential

0.5 V (default)

Surface potential

Dependencies

To enable this parameter, set:

- **Number of terminals** to Four
- **Parameterization** to Specify using equations parameters directly

Measurement temperature – Measurement temperature

25 °C (default)

Temperature T_{m1} at which **Drain-source on resistance, R_DS(on)** is measured.

Main (Surface-Potential-Based Variant)

This configuration of the **Main** tab corresponds to the surface-potential-based block variant. If you are using the threshold-based variant of the block, based on the Shichman and Hodges equations, see “Main (Threshold-Based Variant)” on page 1-913.

Number of terminals – Terminal parameterization

Three (default) | Four

Number of terminals of the block.

Gain – MOSFET gain

18 A/V² (default) | positive scalar

The MOSFET gain, β . This parameter primarily defines the linear region of operation on an I_D - V_{DS} characteristic.

Flatband voltage – Flatband voltage

-1.1 V (default)

The flatband voltage, V_{FB} , defines the gate bias that must be applied in order to achieve the flatband condition at the surface of the silicon. The default value is -1.1 V. You can also use this parameter to arbitrarily shift the threshold voltage due to material work function differences, and to trapped interface or oxide charges. In practice, however, it is usually recommended to modify the threshold voltage by using the **Body factor** and **Surface potential at strong inversion** parameters first, and only use this parameter for fine-tuning.

Body factor – Body factor

3.5 V^{1/2} (default)

Body factor, γ , in the surface-potential equation. This parameter primarily impacts the threshold voltage.

Surface potential at strong inversion – Surface potential at strong inversion

1 V (default)

The $2\phi_B$ term in the surface-potential equation. This parameter also primarily impacts the threshold voltage.

Velocity saturation factor – Velocity saturation factor

0.4 1/V (default)

Velocity saturation, θ_{sat} , in the drain-current equation. Use this parameter in cases where a good fit to linear operation leads to a saturation current that is too high. By increasing this parameter value, you reduce the saturation current. For high-voltage devices, it is often the case that a good fit to linear operation leads to a saturation current that is too low. In such a case, either increase both the gain and the drain ohmic resistance or use an N-Channel LDMOS FET block instead.

Channel-length modulation factor – Channel-length modulation factor

0 (default)

The factor, α , multiplying the logarithmic term in the $G_{\Delta L}$ equation. This parameter describes the onset of channel-length modulation. For device characteristics that exhibit a positive conductance in saturation, increase the parameter value to fit this behavior. The default value is 0, which means that channel-length modulation is off by default.

Channel-length modulation voltage – Channel-length modulation voltage

5e-2 V (default)

The voltage V_p in the $G_{\Delta L}$ equation. This parameter controls the drain-voltage at which channel-length modulation starts to become active

Surface roughness scattering factor – Surface roughness scattering factor

0 1/V (default)

Indicates the strength of the mobility reduction. The mobility is $\mu = \mu_0/G_{mob}$, where μ_0 is the low-field mobility without the effect of surface scattering. The mobility reduction factor, G_{mob} , is given by $G_{mob} = \sqrt{1 + (\theta_{sr}V_{eff})^4}$, where θ_{sr} is the surface roughness scattering factor and V_{eff} is a voltage that is indicative of the effective vertical electric field strength in the channel, E_{eff} . For high vertical electric fields, the mobility is roughly proportional to E_{eff}^{-2} for electrons.

Linear-to-saturation transition coefficient – Linear-to-saturation transition coefficient

8 (default)

This parameter controls how smoothly the MOSFET transitions from linear into saturation, particularly when velocity saturation is enabled. This parameter can usually be left at its default value, but you can use it to fine-tune the knee of the I_D - V_{DS} characteristic. The expected range for this parameter value is between 2 and 8.

Measurement temperature – Measurement temperature

25 °C (default)

Temperature T_{m1} at which the block parameters are measured. If the **Device simulation temperature** parameter on the **Temperature Dependence** tab differs from this value, then device parameters will be scaled from their defined values according to the simulation and reference

temperatures. For more information, see “Temperature Dependence (Surface-Potential-Based Variant)” on page 1-925.

Ohmic Resistance

Source ohmic resistance — Transistor source resistance

0.0001 Ohm (default) | nonnegative scalar

The transistor source resistance, that is, the series resistance associated with the source contact. The default value for threshold-based variants is 1e-4 Ohm. The default value for surface-potential-based variants is 2e-3 Ohm.

Drain ohmic resistance — Transistor drain resistance

0.01 Ohm (default) | nonnegative scalar

The transistor drain resistance, that is, the series resistance associated with the drain contact. The value must be greater than or equal to 0. The default value for threshold-based variants is 0.01 Ohm. The default value for surface-potential-based variants is 0.17 Ohm.

Gate ohmic resistance — Transistor gate resistance

8.4 Ohm (default) | nonnegative scalar

The transistor gate resistance, that is, the series resistance associated with the gate contact.

Dependencies

This parameter is visible only for the surface-potential-based block variants.

Body ohmic resistance — Transistor body resistance

0.001 Ohm (default) | nonnegative scalar

The transistor body resistance, that is, the series resistance associated with the body contact.

Dependencies

To enable this parameter, set:

- **Number of terminals** to Four.
- Threshold-potential-based block variant.

Bulk ohmic resistance — Transistor bulk resistance

2e-3 Ohm (default) | nonnegative scalar

The transistor body resistance, that is, the series resistance associated with the bulk contact.

Dependencies

To enable this parameter, set:

- **Number of terminals** to Four.
- Surface-potential-based block variant.

Junction Capacitance

This tab is visible only for the threshold-based variant of the block.

Parameterization — Capacitance parameterization

Specify fixed input, reverse transfer and output capacitance (default) | Specify fixed gate-source, gate-drain and drain-source capacitance | Specify tabulated input, reverse transfer and output capacitance | Specify tabulated gate-source, gate-drain and drain-source capacitance

Select one of the following methods for capacitance parameterization:

- Specify fixed input, reverse transfer and output capacitance — Provide fixed parameter values from datasheet and let the block convert the input, output, and reverse transfer capacitance values to junction capacitance values, as described in “Charge Model for Threshold-Based Variant” on page 1-903.
- Specify fixed gate-source, gate-drain and drain-source capacitance — Provide fixed values for junction capacitance parameters directly.
- Specify tabulated input, reverse transfer and output capacitance — Provide tabulated capacitance and drain-source voltage values based on datasheet plots. The block converts the input, output, and reverse transfer capacitance values to junction capacitance values, as described in “Charge Model for Threshold-Based Variant” on page 1-903.
- Specify tabulated gate-source, gate-drain and drain-source capacitance — Provide tabulated values for junction capacitances and drain-source voltage.

Input capacitance, Ciss — Input Capacitance

350 pF (default)

The gate-source capacitance with the drain shorted to the source:

- If you select Specify fixed input, reverse transfer and output capacitance, the default value is 350 pF.
- If you select Specify tabulated input, reverse transfer and output capacitance, the default value is [720 700 590 470 390 310] pF.

Dependencies

This parameter is visible only when the **Parameterization** parameter, in the **Junction capacitance** tab, is set to Specify fixed input, reverse transfer and output capacitance or to Specify tabulated input, reverse transfer and output capacitance.

Reverse transfer capacitance, Crss — Reverse transfer capacitance

80 pF (default)

The drain-gate capacitance with the source connected to ground, also known as the Miller capacitance:

- If you select Specify fixed input, reverse transfer and output capacitance, the default value is 80 pF.
- If you select Specify tabulated input, reverse transfer and output capacitance, the default value is [450 400 300 190 95 55] pF.

Dependencies

This parameter is visible only when the **Parameterization** parameter, in the **Junction capacitance** tab, is set to Specify fixed input, reverse transfer and output capacitance or to Specify tabulated input, reverse transfer and output capacitance.

Output capacitance, Coss – Output capacitance

0 pF (default)

The drain-source capacitance with the gate and source shorted:

- If you select Specify fixed input, reverse transfer and output capacitance, the default value is 0 pF.
- If you select Specify tabulated input, reverse transfer and output capacitance, the default value is [900 810 690 420 270 170] pF.

Dependencies

This parameter is visible only when the **Parameterization** parameter, in the **Junction capacitance** tab, is set to Specify fixed input, reverse transfer and output capacitance or to Specify tabulated input, reverse transfer and output capacitance.

Gate-source junction capacitance – Gate-source junction capacitance

[270, 300, 290, 280, 295, 255] pF (default)

The value of the capacitance placed between the gate and the source:

- If you select Specify fixed gate-source, gate-drain and drain-source capacitance, the default value is 270 pF.
- If you select Specify tabulated gate-source, gate-drain and drain-source capacitance, the default value is [270 300 290 280 295 255] pF.

Dependencies

This parameter is visible only when the **Parameterization** parameter, in the **Junction capacitance** tab, is set to Specify fixed gate-source, gate-drain and drain-source capacitance or to Specify tabulated gate-source, gate-drain and drain-source capacitance.

Gate-drain junction capacitance – Gate-drain junction capacitance

[450, 400, 300, 190, 95, 55] pF (default)

The value of the capacitance placed between the gate and the drain:

- If you select Specify fixed gate-source, gate-drain and drain-source capacitance, the default value is 80 pF.
- If you select Specify tabulated gate-source, gate-drain and drain-source capacitance, the default value is [450 400 300 190 95 55] pF.

Dependencies

This parameter is visible only when the **Parameterization** parameter, in the **Junction capacitance** tab, is set to Specify fixed gate-source, gate-drain and drain-source capacitance or to Specify tabulated gate-source, gate-drain and drain-source capacitance.

Drain-source junction capacitance – Drain-source junction capacitance

[450, 410, 390, 230, 175, 115] pF (default)

The value of the capacitance placed between the drain and the source:

- If you select Specify fixed gate-source, gate-drain and drain-source capacitance, the default value is 0 pF.

- If you select Specify tabulated gate-source, gate-drain and drain-source capacitance, the default value is [450 410 390 230 175 115] pF.

Dependencies

This parameter is visible only when the **Parameterization** parameter, in the **Junction capacitance** tab, is set to Specify fixed gate-source, gate-drain and drain-source capacitance or to Specify tabulated gate-source, gate-drain and drain-source capacitance.

Corresponding drain-source voltages — Corresponding drain-source voltages

[.1, .3, 1, 3, 10, 30] V (default)

The drain-source voltages corresponding to the tabulated capacitance values.

Dependencies

This parameter is visible only when the **Parameterization** parameter, in the **Junction capacitance** tab, is set to Specify tabulated input, reverse transfer and output capacitance or to Specify tabulated gate-source, gate-drain and output capacitance.

Gate-source voltage, Vgs, for tabulated capacitances — Gate-source voltage for tabulated capacitances

0 V (default)

For tabulated capacitance models, this parameter controls the voltage dependence of the **Reverse transfer capacitance, Crss** or the **Gate-drain junction capacitance** parameter (depending on the selected parameterization option). These capacitances are a function of the drain-gate voltage. The block calculates drain-gate voltages by subtracting this gate-source voltage value from the values specified for the **Corresponding drain-source voltages** parameter.

Dependencies

This parameter is visible only when the **Parameterization** parameter, in the **Junction capacitance** tab, is set to Specify tabulated input, reverse transfer and output capacitance or to Specify tabulated gate-source, gate-drain and output capacitance.

Gate-drain charge-voltage linearity — Charge-voltage linearity

Gate-drain capacitance is constant (default) | Gate-drain charge function is nonlinear

The two fixed capacitance options let you model gate junction capacitance as a fixed gate-source capacitance C_{GS} and either a fixed or a nonlinear gate-drain capacitance C_{GD} . Select whether the gate-drain capacitance is fixed or nonlinear:

- **Gate-drain capacitance is constant** — The capacitance value is constant and defined according to the selected parameterization option, either directly or derived from a datasheet.
- **Gate-drain charge function is nonlinear** — The gate-drain charge relationship is defined according to the piecewise-nonlinear function described in “Charge Model for Threshold-Based Variant” on page 1-903. Two additional parameters appear to let you define the gate-drain charge function.

Dependencies

This parameter is visible only when the **Parameterization** parameter, in the **Junction capacitance** tab, is set to Specify fixed input, reverse transfer and output capacitance or to Specify fixed gate-source, gate-drain and drain-source capacitance.

Gate-drain oxide capacitance – Gate-drain oxide capacitance

200 pF (default)

The gate-drain capacitance when the drain-gate voltage is less than the **Drain-gate voltage at which oxide capacitance becomes active** parameter value.

Dependencies

This parameter is visible only when the **Gate-drain charge-voltage linearity** parameter is set to Gate-drain charge function is nonlinear.

Drain-gate voltage at which oxide capacitance becomes active – Drain-gate voltage at which oxide capacitance becomes active

-0.5 V (default)

The drain-gate voltage at which the drain-gate capacitance switches between off-state (C_{GD}) and on-state (C_{ox}) capacitance values.

Dependencies

This parameter is visible only when the **Gate-drain charge-voltage linearity** parameter is set to Gate-drain charge function is nonlinear.

Gate-bulk and gate-source charge-voltage linearity – Gate-bulk and gate-source charge-voltage linearity

Gate-bulk and gate-source capacitance change instantly (default) | Gate-bulk and gate-source capacitance change gradually

Gate-bulk and gate-source charge-voltage linearity.

Dependencies

This parameter is visible only when the **Number of terminals** parameter, in the **Main** tab, is set to Four.

Channel Capacitances

This tab is visible only for the surface-potential-based variant of the block.

Oxide capacitance – Oxide capacitance

1500 pF (default)

The parallel plate gate-channel capacitance.

Gate-source overlap capacitance – Gate-source overlap capacitance

100 pF (default)

The fixed, linear capacitance associated with the overlap of the gate electrode with the source well.

Gate-drain overlap capacitance – Gate-drain overlap capacitance

14 pF (default)

The fixed, linear capacitance associated with the overlap of the gate electrode with the drain well.

Body Diode**Reverse saturation current — Reverse saturation current**

0 A (default)

The current designated by the I_s symbol in the body-diode equations. The default value for threshold-based variant is 0 A. The default value for surface-potential-based variant is $5.2e-13$ A.

To enable conduction through the body diode, for applications where the MOSFET current changes sign during the simulation, such as when the MOSFET is driving an inductive load, set this parameter to a non-zero value.

For applications where the MOSFET current never changes sign, such as in a small-signal amplifier, set this parameter to 0 to improve simulation speed.

Built-in voltage — Built-in voltage

0.6 V (default)

The built-in voltage of the diode, designated by the V_{bi} symbol in the body-diode equations. Built-in voltage has an impact only on the junction capacitance equation. It does not affect the conduction current.

Ideality factor — Ideality factor

1 (default)

The factor designated by the n symbol in the body-diode equations.

Zero-bias junction capacitance — Zero-bias junction capacitance

0 pF (default)

The capacitance between the drain and bulk contacts at zero-bias due to the body diode alone. It is designated by the C_{j0} symbol in the body-diode equations. The default value for threshold-based variant is 0 pF. The default value for surface-potential-based variant is 480 pF.

Transit time — Transit time

50e-9 s (default)

The time designated by the τ symbol in the body-diode equations.

When the **Reverse saturation current** and **Transit time** parameters are both non-zero, this block includes the reverse recovery inside the body diode model.

Temperature Dependence (Threshold-Based Variant)

This configuration of the **Temperature Dependence** tab corresponds to the threshold-based block variant, which is the default. If you are using the surface-potential-based variant of the block, see “Temperature Dependence (Surface-Potential-Based Variant)” on page 1-925

Parameterization — Temperature dependence parameterization

None — Simulate at parameter measurement temperature (default) | Model temperature dependence

Select one of the following methods for temperature dependence parameterization:

- None — Simulate at parameter measurement temperature — Temperature dependence is not modeled. This is the default method.

- **Model temperature dependence** — Model temperature-dependent effects. Provide a value for simulation temperature, T_s , a value for BEX , and a value for the measurement temperature T_{m1} (using the **Measurement temperature** parameter on the **Main** tab). You also have to provide a value for α using one of two methods, depending on the value of the **Parameterization** parameter on the **Main** tab. If you parameterize the block from a datasheet, you have to provide $R_{DS(on)}$ at a second measurement temperature, and the block will calculate α based on that. If you parameterize by specifying equation parameters, you have to provide the value for α directly.

Drain-source on resistance, R_DS(on), at second measurement temperature — Drain-source on resistance at second measurement temperature

0.037 Ohm (default)

The ratio of the drain-source voltage to the drain current for specified values of drain current and gate-source voltage at second measurement temperature. It must be quoted for the same working point (drain current and gate-source voltage) as the **Drain-source on resistance, R_DS(on)** parameter on the **Main** tab.

Dependencies

This parameter is visible only when you select **Specify** from a datasheet for the **Parameterization** parameter on the **Main** tab.

Second measurement temperature — Second temperature

125 °C (default)

Second temperature T_{m2} at which **Drain-source on resistance, R_DS(on), at second measurement temperature** is measured.

Dependencies

This parameter is visible only when you select **Specify** from a datasheet for the **Parameterization** parameter on the **Main** tab.

Gate threshold voltage temperature coefficient, dVth/dT — Gate-source voltage, Vgs

-6 mV/K (default)

The rate of change of gate threshold voltage with temperature.

Dependencies

This parameter is visible only when you select **Specify** using equation parameters directly for the **Parameterization** parameter on the **Main** tab.

Mobility temperature exponent, BEX — Mobility temperature exponent

-1.5 (default)

Mobility temperature coefficient value. You can use the default value for most MOSFETs. See the “Assumptions and Limitations” on page 1-912 section for additional considerations.

Body diode reverse saturation current temperature exponent — Body diode reverse saturation current temperature exponent

3 (default)

The reverse saturation current for the body diode is assumed to be proportional to the square of the intrinsic carrier concentration, $n_i = N_C \exp(-E_G/2k_B T)$. N_C is the temperature-dependent effective

density of states and E_G is the temperature-dependent bandgap for the semiconductor material. To avoid introducing another temperature-scaling parameter, the block neglects the temperature dependence of the bandgap and uses the bandgap of silicon at 300K (1.12eV) for all device types. Therefore, the temperature-scaled reverse saturation current is given by

$$I_s = I_{s,m1} \left(\frac{T_s}{T_{m1}} \right)^{\eta_{Is}} \cdot \exp \left(\frac{E_G}{k_B} \cdot \left(\frac{1}{T_{m1}} - \frac{1}{T_s} \right) \right).$$

$I_{s,m1}$ is the value of the **Reverse saturation current** parameter from the **Body Diode** tab, k_B is Boltzmann's constant (8.617×10^{-5} eV/K), and η_{Is} is the **Body diode reverse saturation current temperature exponent**. The default value is 3, because N_C for silicon is roughly proportional to $T^{3/2}$. You can remedy the effect of neglecting the temperature-dependence of the bandgap by a pragmatic choice of η_{Is} .

Device simulation temperature – Device simulation temperature

25 °C (default)

Temperature T_s at which the device is simulated.

Temperature Dependence (Surface-Potential-Based Variant)

This configuration of the **Temperature Dependence** tab corresponds to the surface-potential-based block variant. If you are using the threshold-based variant of the block, see “Temperature Dependence (Threshold-Based Variant)” on page 1-923

Parameterization – Temperature dependence parameterization

None – Simulate at parameter measurement temperature (default) | Model temperature dependence

Select one of the following methods for temperature dependence parameterization:

- None – Simulate at parameter measurement temperature – Temperature dependence is not modeled.
- Model temperature dependence – Model temperature-dependent effects. Provide a value for the device simulation temperature, T_s , and the temperature-scaling coefficients for other block parameters.

Gain temperature exponent – Gain temperature exponent

1.3 (default)

The MOSFET gain, β , is assumed to scale exponentially with temperature, $\beta = \beta_{m1} (T_{m1}/T_s)^{\eta_{\beta}}$. β_{m1} is the value of the **Gain** parameter from the **Main** tab and η_{β} is the **Gain temperature exponent**.

Flatband voltage temperature coefficient – Flatband voltage temperature coefficient

5e-4 V/K (default)

The flatband voltage, V_{FB} , is assumed to scale linearly with temperature, $V_{FB} = V_{FBm1} + (T_s - T_{m1}) S_{T,V_{FB}}$. V_{FBm1} is the value of the **Flatband voltage** parameter from the **Main** tab and $S_{T,V_{FB}}$ is the **Flatband voltage temperature coefficient**.

Surface potential at strong inversion temperature coefficient – Surface potential at strong inversion temperature coefficient

-8.5e-4 V/K (default)

The surface potential at strong inversion, $2\phi_B$, is assumed to scale linearly with temperature, $2\phi_B = 2\phi_{Bm1} + (T_s - T_{m1})S_{T,\phi_B}$. $2\phi_{Bm1}$ is the value of the **Surface potential at strong inversion** parameter from the **Main** tab and S_{T,ϕ_B} is the **Surface potential at strong inversion temperature coefficient**.

Velocity saturation temperature exponent – Velocity saturation temperature exponent

1.04 (default)

The velocity saturation, θ_{sat} , is assumed to scale exponentially with temperature, $\theta_{sat} = \theta_{sat,m1} (T_{m1}/T_s)^{\eta_\theta}$. $\theta_{sat,m1}$ is the value of the **Velocity saturation factor** parameter from the **Main** tab and η_θ is the **Velocity saturation temperature exponent**.

Surface roughness scattering temperature exponent – Surface roughness scattering temperature exponent

0.65 (default)

This parameter leads to a temperature-dependent reduction in the MOSFET transconductance at high gate voltage. The surface roughness scattering, θ_{sr} , is assumed to scale exponentially with temperature, $\theta_{sr} = \theta_{sr,m1} (T_{m1}/T_s)^{\eta_{sr}}$. $\theta_{sr,m1}$ is the value of the **Surface roughness scattering factor** parameter from the **Main** tab and η_{sr} is the **Surface roughness scattering temperature exponent**.

Resistance temperature exponent – Resistance temperature exponent

0.95 (default)

The series resistances are assumed to correspond to semiconductor resistances. Therefore, they decrease exponentially with increasing temperature. $R_i = R_{i,m1} (T_{m1}/T_s)^{\eta_R}$, where i is S, D, or G, for the source, drain, or gate series resistance, respectively. $R_{i,m1}$ is the value of the corresponding series resistance parameter from the **Ohmic Resistance** tab and η_R is the **Resistance temperature exponent**.

Body diode reverse saturation current temperature exponent – Body diode reverse saturation current temperature exponent

3 (default)

The reverse saturation current for the body diode is assumed to be proportional to the square of the intrinsic carrier concentration, $n_i = N_C \exp(-E_G/2k_B T)$. N_C is the temperature-dependent effective density of states and E_G is the temperature-dependent bandgap for the semiconductor material. To avoid introducing another temperature-scaling parameter, the block neglects the temperature dependence of the bandgap and uses the bandgap of silicon at 300K (1.12eV) for all device types. Therefore, the temperature-scaled reverse saturation current is given by

$$I_s = I_{s,m1} \left(\frac{T_s}{T_{m1}} \right)^{\eta_{Is}} \cdot \exp\left(\frac{E_G}{k_B} \cdot \left(\frac{1}{T_{m1}} - \frac{1}{T_s} \right) \right).$$

$I_{s,m1}$ is the value of the **Reverse saturation current** parameter from the **Body Diode** tab, k_B is Boltzmann's constant (8.617×10^{-5} eV/K), and η_{Is} is the **Body diode reverse saturation current temperature exponent**. The default value is 3, because N_C for silicon is roughly proportional to $T^{3/2}$. You can remedy the effect of neglecting the temperature-dependence of the bandgap by a pragmatic choice of η_{Is} .

Device simulation temperature – Device simulation temperature

25 °C (default)

Temperature T_s at which the device is simulate.

References

- [1] Shichman, H. and D. A. Hodges. "Modeling and simulation of insulated-gate field-effect transistor switching circuits." *IEEE J. Solid State Circuits*. SC-3, 1968.
- [2] Van Langevelde, R., A. J. Scholten, and D. B .M. Klaassen. "Physical Background of MOS Model 11. Level 1101." *Nat.Lab. Unclassified Report 2003/00239*. April 2003.
- [3] Oh, S-Y., D. E. Ward, and R. W. Dutton. "Transient analysis of MOS transistors." *IEEE J. Solid State Circuits*. SC-15, pp. 636-643, 1980.

Extended Capabilities

C/C++ Code Generation

Generate C and C++ code using Simulink® Coder™.

See Also

P-Channel MOSFET

Introduced in R2008a

Negative Supply Rail

Ideal negative supply rail

Library: Simscape / Electrical / Sources



Description

The Negative Supply Rail block represents an ideal negative supply rail. Use this block instead of the SimscapeDC Voltage Source block to define the output voltage relative to the SimscapeElectrical Reference block that must appear in each model.

Note Do not attach more than one Negative Supply Rail block to any connected line.

Ports

Conserving

- — **Negative voltage**

electrical

Electrical conserving port associated to the negative supply rail negative voltage.

Parameters

Constant voltage — Constant output voltage

- 1 V (default)

The voltage at the output port relative to the Electrical Reference block ground port.

Extended Capabilities

C/C++ Code Generation

Generate C and C++ code using Simulink® Coder™.

See Also

DC Voltage Source | Positive Supply Rail

Introduced in R2008a

Neutral Port (Three-Phase)

Connect phases of three-phase system to electrical conserving port

Library: Simscape / Electrical / Connectors & References



Description

The Neutral Port (Three-Phase) block connects the phases of a three-phase system to an electrical conserving port.

Note If you do not need to connect the neutral port to other blocks, use a Floating Neutral (Three-Phase) block instead. If you want to ground the neutral port, use a Grounded Neutral (Three-Phase) block.

Ports

Conserving

~ — Three-phase port

electrical

Expandable composite (**a,b, c**) three-phase port

n — Neutral point

electrical

Electrical conserving port associated with the neutral point

Parameters

Parasitic ground conductance — Parasitic ground conductance

1e-12 1/0hm (default)

Parasitic conductance to ground. A nonzero value is required for the simulation of some circuit topologies.

Extended Capabilities

C/C++ Code Generation

Generate C and C++ code using Simulink® Coder™.

See Also

Floating Neutral (Three-Phase) | Grounded Neutral (Three-Phase) | Open Circuit (Three-Phase)

Topics

“Expand and Collapse Three-Phase Ports on a Block”

Introduced in R2013b

Nonlinear Inductor

Inductor with nonideal core

Library: Simscape / Electrical / Passive



Description

The Nonlinear Inductor block represents an inductor with a nonideal core. A core may be nonideal due to its magnetic properties and dimensions. The block provides the following parameterization options:

- Single inductance (linear) on page 1-931
- Single saturation point on page 1-931
- Magnetic flux versus current characteristic on page 1-932
- Magnetic flux density versus magnetic field strength characteristic on page 1-932
- Magnetic flux density versus magnetic field strength characteristic with hysteresis on page 1-933

Single Inductance (Linear)

The relationships between voltage, current and flux are defined by the following equations:

$$i = i_L + vG_p$$

$$v = N_w \frac{d\Phi}{dt}$$

$$\Phi = \frac{L}{N_w} i_L$$

where:

- v is the terminal voltage.
- i is the terminal current.
- i_L is the current through inductor.
- G_p is the parasitic parallel conductance.
- N_w is the number of winding turns.
- Φ is the magnetic flux.
- L is the unsaturated inductance.

Single Saturation Point

The relationships between voltage, current and flux are defined by the following equations:

$$i = i_L + vG_p$$

$$v = N_w \frac{d\Phi}{dt}$$

$$\Phi = \frac{L}{N_w} i_L \text{ (for unsaturated)}$$

$$\Phi = \frac{L_{sat}}{N_w} i_L \pm \Phi_{offset} \text{ (for saturated)}$$

where:

- v is the terminal voltage.
- i is the terminal current.
- i_L is the current through inductor.
- G_p is the parasitic parallel conductance.
- N_w is the number of winding turns.
- Φ is the magnetic flux.
- Φ_{offset} is the magnetic flux saturation offset.
- L is the unsaturated inductance.
- L_{sat} is the saturated inductance.

Magnetic Flux Versus Current Characteristic

The relationships between voltage, current and flux are defined by the following equations:

$$i = i_L + vG_p$$

$$v = N_w \frac{d\Phi}{dt}$$

$$\Phi = f(i_L)$$

where:

- v is the terminal voltage.
- i is the terminal current.
- i_L is the current through inductor.
- G_p is the parasitic parallel conductance.
- N_w is the number of winding turns.
- Φ is the magnetic flux.

Magnetic flux is determined by one-dimensional table lookup, based on the vector of current values and the vector of corresponding magnetic flux values that you provide. You can construct these vectors using either negative and positive data, or positive data only. If using positive data only, the vector must start at 0, and the negative data will be automatically calculated by rotation about (0,0).

Magnetic Flux Density Versus Magnetic Field Strength Characteristic

The relationships between voltage, current and flux are defined by the following equations:

$$i = i_L + vG_p$$

$$v = N_w \frac{d\Phi}{dt}$$

$$\Phi = B \cdot A_e$$

$$B = f(H)$$

$$H = \frac{N_w}{l_e} i_L$$

where:

- v is the terminal voltage.
- i is the terminal current.
- i_L is the current through inductor.
- G_p is the parasitic parallel conductance.
- N_w is the number of winding turns.
- Φ is the magnetic flux.
- B is the magnetic flux density.
- H is the magnetic field strength.
- l_e is the effective core length.
- A_e is the effective core cross-sectional area.

Magnetic flux density is determined by one-dimensional table lookup, based on the vector of magnetic field strength values and the vector of corresponding magnetic flux density values that you provide. You can construct these vectors using either negative and positive data, or positive data only. If using positive data only, the vector must start at 0, and the negative data will be automatically calculated by rotation about (0,0).

Magnetic Flux Density Versus Magnetic Field Strength Characteristic with Hysteresis

The relationships between voltage, current and flux are defined by the following equations:

$$i = i_L + vG_p$$

$$v = N_w \frac{d\Phi}{dt}$$

$$\Phi = B \cdot A_e$$

$$B = \mu_0(H + M)$$

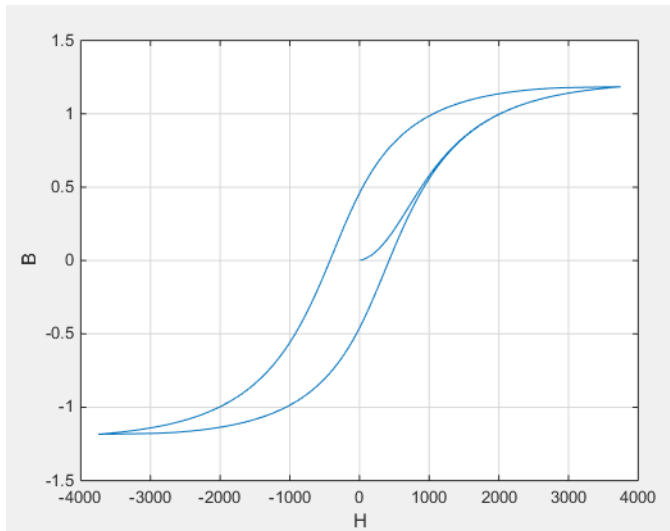
$$H = \frac{N_w}{l_e} i_L$$

where:

- v is the terminal voltage.
- i is the terminal current.
- i_L is the current through inductor.

- G_p is the parasitic parallel conductance.
- N_w is the number of winding turns.
- Φ is the magnetic flux.
- B is the magnetic flux density.
- μ_0 is the magnetic constant, permeability of free space.
- H is the magnetic field strength.
- M is the magnetization of the inductor core.
- l_e is the effective core length.
- A_e is the effective core cross-sectional area.

The magnetization acts to increase the magnetic flux density, and its value depends on both the current value and the history of the field strength H . The Jiles-Atherton [1 on page 1-941, 2 on page 1-941] equations are used to determine M at any given time. The figure below shows a typical plot of the resulting relationship between B and H .



In this case the magnetization starts as zero, and hence the plot starts at $B = H = 0$. As the field strength increases, the plot tends to the positive-going hysteresis curve; then on reversal the rate of change of H , it follows the negative-going hysteresis curve. The difference between positive-going and negative-going curves is due to the dependence of M on the trajectory history. Physically the behavior corresponds to magnetic dipoles in the core aligning as the field strength increases, but not then fully recovering to their original position as field strength decreases.

The starting point for the Jiles-Atherton equation is to split the magnetization effect into two parts, one that is purely a function of effective field strength (H_{eff}) and the other an irreversible part that depends on past history:

$$M = cM_{an} + (1 - c)M_{irr}$$

The M_{an} term is called the anhysteretic magnetization because it exhibits no hysteresis. It is described by the following function of the current value of the effective field strength, H_{eff} :

$$M_{an} = M_s \left(\coth \left(\frac{H_{eff}}{\alpha} \right) - \frac{\alpha}{H_{eff}} \right)$$

This function defines a saturation curve with limiting values $\pm M_s$ and point of saturation determined by the value of α , the anhysteretic shape factor. It can be approximately thought of as describing the average of the two hysteretic curves. In the Nonlinear Inductor block, you provide values for dM_{an}/dH_{eff} when $H_{eff} = 0$ and a point $[H_1, B_1]$ on the anhysteretic B-H curve, and these are used to determine values for α and M_s .

The parameter c is the coefficient for reversible magnetization, and dictates how much of the behavior is defined by M_{an} and how much by the irreversible term M_{irr} . The Jiles-Atherton model defines the irreversible term by a partial derivative with respect to field strength:

$$\frac{dM_{irr}}{dH} = \frac{M_{an} - M_{irr}}{K\delta - \alpha(M_{an} - M_{irr})}$$

$$\delta = \begin{cases} 1 & \text{if } H \geq 0 \\ -1 & \text{if } H < 0 \end{cases}$$

Comparison of this equation with a standard first order differential equation reveals that as increments in field strength, H , are made, the irreversible term M_{irr} attempts to track the reversible term M_{an} , but with a variable tracking gain of $1/(K\delta - \alpha(M_{an} - M_{irr}))$. The tracking error acts to create the hysteresis at the points where δ changes sign. The main parameter that shapes the irreversible characteristic is K , which is called the bulk coupling coefficient. The parameter α is called the inter-domain coupling factor, and is also used to define the effective field strength used when defining the anhysteretic curve:

$$H_{eff} = H + \alpha M$$

The value of α affects the shape of the hysteresis curve, larger values acting to increase the B-axis intercepts. However, notice that for stability the term $K\delta - \alpha(M_{an} - M_{irr})$ must be positive for $\delta > 0$ and negative for $\delta < 0$. Therefore not all values of α are permissible, a typical maximum value being of the order $1e-3$.

Procedure for Finding Approximate Values for Jiles-Atherton Equation Coefficients

You can determine representative parameters for the equation coefficients by using the following procedure:

- 1 Provide a value for the **Anhysteretic B-H gradient when H is zero** parameter (dM_{an}/dH_{eff} when $H_{eff} = 0$) plus a data point $[H_1, B_1]$ on the anhysteretic B-H curve. From these values, the block initialization determines values for α and M_s .
- 2 Set the **Coefficient for reversible magnetization, c** parameter to achieve correct initial B-H gradient when starting a simulation from $[H \ B] = [0 \ 0]$. The value of c is approximately the ratio of this initial gradient to the **Anhysteretic B-H gradient when H is zero**. The value of c must be greater than 0 and less than 1.
- 3 Set the **Bulk coupling coefficient, K** parameter to the approximate magnitude of H when $B = 0$ on the positive-going hysteresis curve.
- 4 Start with α very small, and gradually increase to tune the value of B when crossing $H = 0$ line. A typical value is in the range of $1e-4$ to $1e-3$. Values that are too large will cause the gradient of the B-H curve to tend to infinity, which is nonphysical and generates a run-time assertion error.

Sometimes you need to iterate on these four steps to get a good match against a predefined B-H curve.

Ports

Conserving

+ – Positive terminal

electrical

Electrical conserving port associated with the inductor positive voltage.

- – Negative terminal

electrical

Electrical conserving port associated with the inductor negative voltage.

Parameters

Main

Parameterized by – Block parameterization

Single saturation point (default) | Single inductance (linear) | Magnetic flux versus current characteristic | Magnetic flux density versus magnetic field strength characteristic | Magnetic flux density versus magnetic field strength characteristic with hysteresis

Select one of the following methods for block parameterization:

- **Single inductance (linear)** — Provide the values for number of turns, unsaturated inductance, and parasitic parallel conductance.
- **Single saturation point** — Provide the values for number of turns, unsaturated and saturated inductances, saturation magnetic flux, and parasitic parallel conductance. This is the default option.
- **Magnetic flux versus current characteristic** — In addition to the number of turns and the parasitic parallel conductance value, provide the current vector and the magnetic flux vector, to populate the magnetic flux versus current lookup table.
- **Magnetic flux density versus magnetic field strength characteristic** — In addition to the number of turns and the parasitic parallel conductance value, provide the values for effective core length and cross-sectional area, as well as the magnetic field strength vector and the magnetic flux density vector, to populate the magnetic flux density versus magnetic field strength lookup table.
- **Magnetic flux density versus magnetic field strength characteristic with hysteresis** — In addition to the number of turns and the effective core length and cross-sectional area, provide the values for the initial anhysteretic B-H curve gradient, the magnetic flux density and field strength at a certain point on the B-H curve, as well as the coefficient for the reversible magnetization, bulk coupling coefficient, and inter-domain coupling factor, to define magnetic flux density as a function of both the current value and the history of the field strength.

Number of turns – Total number of turns

10 (default)

The total number of turns of wire wound around the inductor core.

Unsaturated inductance – Unsaturated inductance

2e-4 H (default)

The value of inductance used when the inductor is operating in its linear region.

Dependencies

This parameter is visible only when you select `Single inductance (linear)` or `Single saturation point` for the **Parameterized by** parameter.

Saturated inductance – Saturated inductance

1e-4 H (default)

The value of inductance used when the inductor is operating beyond its saturation point.

Dependencies

This parameter is visible only when you select `Single saturation point` for the **Parameterized by** parameter.

Saturation magnetic flux – Saturation magnetic flux

1.3e-05 Wb (default)

The value of magnetic flux at which the inductor saturates.

Dependencies

This parameter is visible only when you select `Single saturation point` for the **Parameterized by** parameter.

Current vector, i – Current data vector

[0, .64, 1.28, 1.92, 2.56, 3.2] A (default)

The current data used to populate the magnetic flux versus current lookup table.

Dependencies

This parameter is visible only when you select `Magnetic flux versus current characteristic` for the **Parameterized by** parameter.

Magnetic flux vector, phi – Magnetic flux data

[0, 1.29, 2, 2.27, 2.36, 2.39] .* 1e-5 Wb (default)

The magnetic flux data used to populate the magnetic flux versus current lookup table.

Dependencies

This parameter is visible only when you select `Magnetic flux versus current characteristic` for the **Parameterized by** parameter.

Magnetic field strength vector, H – Magnetic field strength vector

[0, 200, 400, 600, 800, 1000] A/m (default)

The magnetic field strength data used to populate the magnetic flux density versus magnetic field strength lookup table.

Dependencies

This parameter is visible only when you select `Magnetic flux density versus magnetic field strength characteristic` for the **Parameterized by** parameter.

Magnetic flux density vector, B — Magnetic flux density data

[0, .81, 1.25, 1.42, 1.48, 1.49] T (default)

The magnetic flux density data used to populate the magnetic flux density versus magnetic field strength lookup table.

Dependencies

This parameter is visible only when you select Magnetic flux density versus magnetic field strength characteristic for the **Parameterized by** parameter.

Effective length — Effective core length

0.032 m (default)

The effective core length, that is, the average distance of the magnetic path.

Dependencies

This parameter is visible only when you select Magnetic flux density versus magnetic field strength characteristic or Magnetic flux density versus magnetic field strength characteristic with hysteresis for the **Parameterized by** parameter.

Effective cross-sectional area — Effective cross-sectional area

1.6e-5 m² (default)

The effective core cross-sectional area, that is, the average area of the magnetic path.

Dependencies

This parameter is visible only when you select Magnetic flux density versus magnetic field strength characteristic or Magnetic flux density versus magnetic field strength characteristic with hysteresis for the **Parameterized by** parameter.

Anhyseretic B-H gradient when H is zero — Anhyseretic B-H gradient around zero field strength

0.005 m*T/A (default)

The gradient of the anhyseretic (no hysteresis) B-H curve around zero field strength. Set it to the average gradient of the positive-going and negative-going hysteresis curves.

Dependencies

This parameter is visible only when you select Magnetic flux density versus magnetic field strength characteristic with hysteresis for the **Parameterized by** parameter.

Flux density point on anhyseretic B-H curve — Flux density point on anhyseretic B-H curve

1.49 T (default)

Specify a point on the anhyseretic curve by providing its flux density value. Picking a point at high field strength where the positive-going and negative-going hysteresis curves align is the most accurate option.

Dependencies

This parameter is visible only when you select Magnetic flux density versus magnetic field strength characteristic with hysteresis for the **Parameterized by** parameter.

Corresponding field strength — Corresponding field strength

1000 A/m (default)

The corresponding field strength for the point that you define by the **Flux density point on anhysteretic B-H curve** parameter.

Dependencies

This parameter is visible only when you select Magnetic flux density versus magnetic field strength characteristic with hysteresis for the **Parameterized by** parameter.

Coefficient for reversible magnetization, c — Coefficient for reversible magnetization

0.1 (default)

The proportion of the magnetization that is reversible. The value should be greater than zero and less than one.

Dependencies

This parameter is visible only when you select Magnetic flux density versus magnetic field strength characteristic with hysteresis for the **Parameterized by** parameter.

Bulk coupling coefficient, K — Bulk coupling coefficient

200 A/m (default)

The Jiles-Atherton parameter that primarily controls the field strength magnitude at which the B-H curve crosses the zero flux density line.

Dependencies

This parameter is visible only when you select Magnetic flux density versus magnetic field strength characteristic with hysteresis for the **Parameterized by** parameter.

Inter-domain coupling factor, alpha — Inter-domain coupling factor

1e-4 (default)

The Jiles-Atherton parameter that primarily affects the points at which the B-H curves intersect the zero field strength line. Typical values are in the range of 1e-4 to 1e-3.

Dependencies

This parameter is visible only when you select Magnetic flux density versus magnetic field strength characteristic with hysteresis for the **Parameterized by** parameter.

Averaging period for power logging — Averaging period for power logging

0 s (default)

Averaging period for the hysteresis losses calculation. These losses are proportional to the area enclosed by the B-H trajectory. If the block is excited at a known, fixed frequency, you can set this value to the corresponding excitation period to calculate the hysteresis loss. In this case, the block logs the hysteresis loss once per AC cycle to the variable `power_dissipated`. If you are using a fixed-step solver, this value must be an integer multiple of the simulation step size.

If the block is not excited at a known, fixed frequency, set this parameter to 0. In this case, the block sets `power_dissipated` to zero, and you can calculate the actual hysteresis loss by post-processing the logged variable `power_instantaneous`.

Dependencies

This parameter is visible only when you select Magnetic flux density versus magnetic field strength characteristic with hysteresis for the **Parameterized by** parameter on the **Main** tab.

Parasitic parallel conductance — Parasitic parallel conductance

1e-9 1/Ohm (default)

Use this parameter to represent small parasitic effects. A small parallel conductance may be required for the simulation of some circuit topologies.

Interpolation option — Interpolation option

Linear (default) | Smooth

The lookup table interpolation option. Select one of the following interpolation methods:

- **Linear** — Select this option to get the best performance.
- **Smooth** — Select this option to produce a continuous curve with continuous first-order derivatives.

For more information on interpolation algorithms, see the PS Lookup Table (1D) block reference page.

Dependencies

This parameter is visible only when you select Magnetic flux versus current characteristic or Magnetic flux density versus magnetic field strength characteristic for the **Parameterized by** parameter on the **Main** tab.

Initial Conditions**Specify initial state by — Initial state specification option**

Current (default) | Magnetic flux

Select the appropriate initial state specification option:

- **Current** — Specify the initial state of the inductor by the initial current through the inductor (i_L). This is the default option.
- **Magnetic flux** — Specify the initial state of the inductor by the magnetic flux.

Dependencies

This parameter is not visible when you select Magnetic flux density versus magnetic field strength characteristic with hysteresis for the **Parameterized by** parameter.

Initial current — Initial current

0 A (default)

The initial current value used to calculate the value of magnetic flux at time zero. This is the current passing through the inductor. Component current consists of current passing through the inductor and current passing through the parasitic parallel conductance.

Dependencies

This parameter is visible only when you select Current for the **Specify initial state by** parameter.

Initial magnetic flux — Initial magnetic flux 0 Wb (default)

The value of magnetic flux at time zero.

Dependencies

This parameter is visible only when you select Magnetic flux for the **Specify initial state by** parameter.

Initial magnetic flux density — Initial magnetic flux density 0 T (default)

The value of magnetic flux density at time zero.

Dependencies

This parameter is visible only when you select Magnetic flux density versus magnetic field strength characteristic with hysteresis for the **Parameterized by** parameter on the **Main** tab.

Initial field strength — Initial field strength 0 A/m (default)

The value of magnetic field strength at time zero.

Dependencies

This parameter is visible only when you select Magnetic flux density versus magnetic field strength characteristic with hysteresis for the **Parameterized by** parameter on the **Main** tab.

References

- [1] Jiles, D. C. and D. L. Atherton. "Theory of ferromagnetic hysteresis." *Journal of Magnetism and Magnetic Materials* . Vol. 61, 1986, pp. 48-60.
- [2] Jiles, D. C. and D. L. Atherton. "Ferromagnetic hysteresis." *IEEE Transactions on Magnetics* . Vol. 19, No. 5, 1983, pp. 2183-2184.

Extended Capabilities**C/C++ Code Generation**

Generate C and C++ code using Simulink® Coder™.

See Also

Introduced in R2012b

Nonlinear Reluctance

Nonlinear reluctance with magnetic hysteresis

Library: Simscape / Electrical / Passive



Description

The Nonlinear Reluctance block models linear or nonlinear reluctance with magnetic hysteresis. Use this block to build custom inductances and transformers that exhibit magnetic hysteresis.

The length and area parameters in the **Geometry** settings let you define the geometry for the part of the magnetic circuit that you are modeling. The block uses the geometry information to map the magnetic domain Through and Across variables to flux density and field strength.

Equations for Linear Reluctance Parameterization

The equations for the linear reluctance parameterization are:

$$B = \mu_0 \mu_r H$$

$$mmf = l_{eff} H$$

$$\varphi = s_{eff} B$$

where:

- B is the flux density.
- μ_0 is the permeability in a vacuum.
- μ_r is the relative magnetic permeability.
- H is the field strength.
- mmf is the magnetomotive force (mmf) across the component.
- l_{eff} is the effective length of the section being modeled.
- φ is magnetic flux.
- s_{eff} is the effective cross-sectional area of the section being modeled.

Equations for Reluctance with Single Saturation Point Parameterization

This parameterization models a switch-linear reluctance. In the unsaturated state, the material has a specified relative magnetic permeability. In the saturated state, the relative permeability is ∞ .

The equations for reluctance with single saturation point are

$$mmf = l_{eff} H$$

$$\varphi = s_{eff} B$$

$$mmf = R\varphi$$

If $B < B_{sat}$.

$$B = \mu_0\mu_{r_unsat}H$$

Otherwise,

$$B = B_{sat} + \mu_0\left(H - \frac{B_{sat}}{\mu_0\mu_{r_unsat}}\right)$$

where:

- mmf is the magnetomotive force (mmf) across the component.
- l_{eff} is the effective length of the section being modeled.
- H is the field strength.
- φ is magnetic flux.
- s_{eff} is the effective cross-sectional area of the section being modeled.
- B is the flux density.
- B_{sat} is the flux density at saturation.
- R_{sat} is the magnetic reluctance at saturation.
- μ_0 is the permeability in a vacuum.
- μ_r is the relative magnetic permeability.
- μ_{r_unsat} is the unstaured relative magnetic permeability.

Reluctance (B-H Curve)

For the reluctance (B-H Curve) parameterization, specify the material property by B-H curve.

Equations for Reluctance with Hysteresis Parameterization

The flux density and magnetomotive force equations are:

$$B = \varphi/s_{eff}$$

$$mmf = l_{eff} \cdot H$$

where:

- B is flux density.
- φ is magnetic flux.
- s_{eff} is the effective cross-sectional area of the section being modeled.
- mmf is magnetomotive force (mmf) across the component.
- l_{eff} is the effective length of the section being modeled.
- H is field strength.

The block then implements the relationship between B and H according to the Jiles-Atherton [1 on page 1-949, 2 on page 1-949] equations. The equation that relates B and H to the magnetization of the core is:

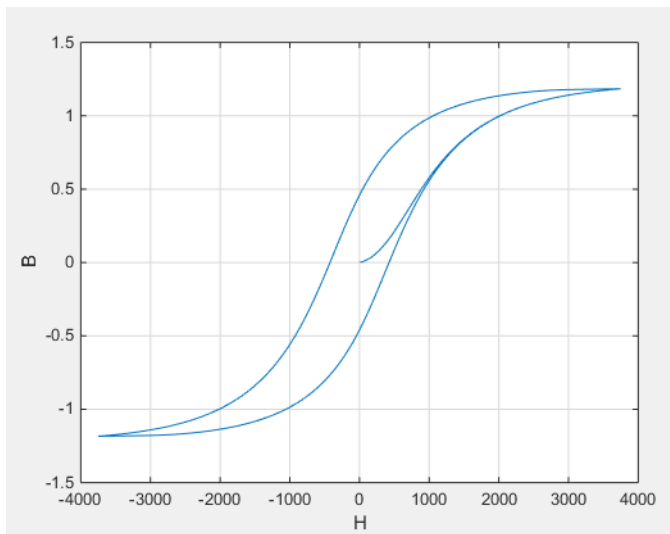
$$B = \mu_0(H + M)$$

where:

- μ_0 is the magnetic permeability constant.
- M is magnetization of the core.

The magnetization acts to increase the magnetic flux density, and its value depends on both the current value and the history of the field strength H . The block uses the Jiles-Atherton equations to determine M at any given time.

The figure below shows a typical plot of the resulting relationship between B and H .



In this case, the magnetization starts as zero, and hence the plot starts at $B = H = 0$. As the field strength increases, the plot tends to the positive-going hysteresis curve; then on reversal the rate of change of H , it follows the negative-going hysteresis curve. The difference between positive-going and negative-going curves is due to the dependence of M on the trajectory history. Physically the behavior corresponds to magnetic dipoles in the core aligning as the field strength increases, but not then fully recovering to their original position as field strength decreases.

The starting point for the Jiles-Atherton equation is to split the magnetization effect into two parts, one that is purely a function of effective field strength (H_{eff}) and the other an irreversible part that depends on history:

$$M = cM_{an} + (1 - c)M_{irr}$$

The M_{an} term is called the anhysteretic magnetization because it exhibits no hysteresis. It is described by the following function of the current value of the effective field strength, H_{eff} :

$$M_{an} = M_s \left(\coth\left(\frac{H_{eff}}{\alpha}\right) - \frac{\alpha}{H_{eff}} \right)$$

This function defines a saturation curve with limiting values $\pm M_s$ and point of saturation determined by the value of α , the anhysteretic shape factor. It can be approximately thought of as describing the average of the two hysteretic curves. In the block interface, you provide values for dM_{an}/dH_{eff} when

$H_{eff} = 0$ and a point $[H_1, B_1]$ on the anhysteretic B-H curve, and these are used to determine values for α and M_s .

The parameter c is the coefficient for reversible magnetization, and dictates how much of the behavior is defined by M_{an} and how much by the irreversible term M_{irr} . The Jiles-Atherton model defines the irreversible term by a partial derivative with respect to field strength:

$$\frac{dM_{irr}}{dH} = \frac{M_{an} - M_{irr}}{K\delta - \alpha(M_{an} - M_{irr})}$$

For $H \geq 0$, $\delta = 1$.

For $H < 0$, $\delta = -1$.

Comparison of this equation with a standard first order differential equation reveals that as increments in field strength, H , are made, the irreversible term M_{irr} attempts to track the reversible term M_{an} , but with a variable tracking gain of $1/(K\delta - \alpha(M_{an} - M_{irr}))$. The tracking error acts to create the hysteresis at the points where δ changes sign. The main parameter that shapes the irreversible characteristic is K , which is called the bulk coupling coefficient. The parameter α is called the inter-domain coupling factor, and is also used to define the effective field strength used when defining the anhysteretic curve:

$$H_{eff} = H + \alpha M$$

The value of α affects the shape of the hysteresis curve, larger values acting to increase the B-axis intercepts. However, notice that for stability the term $K\delta - \alpha(M_{an} - M_{irr})$ must be positive for $\delta > 0$ and negative for $\delta < 0$. Therefore not all values of α are permissible, a typical maximum value being of the order $1e-3$.

Procedure for Finding Approximate Values for Jiles-Atherton (JA) Equation Coefficients

You can determine representative parameters for the equation coefficients by using the following procedure:

- 1 Provide a value for the **Anhysteretic B-H gradient when H is zero** parameter (dM_{an}/dH_{eff} when $H_{eff} = 0$) plus a data point $[H_1, B_1]$ on the anhysteretic B-H curve. From these values, the block initialization determines values for α and M_s .
- 2 Set the **Coefficient for reversible magnetization, c** parameter to achieve correct initial B-H gradient when starting a simulation from $[H \ B] = [0 \ 0]$. The value of c is approximately the ratio of this initial gradient to the **Anhysteretic B-H gradient when H is zero**. The value of c must be greater than 0 and less than 1.
- 3 Set the **Bulk coupling coefficient, K** parameter to the approximate magnitude of H when $B = 0$ on the positive-going hysteresis curve.
- 4 Start with α very small, and gradually increase to tune the value of B when crossing $H = 0$ line. A typical value is in the range of $1e-4$ to $1e-3$. Values that are too large cause the gradient of the B-H curve to tend to infinity, which is nonphysical and generates a run-time assertion error.

To get a good match against a predefined B-H curve, you may have to iterate on these four steps

Variables

Use the **Variables** section of the block interface to set the priority and initial target values for the block variables prior to simulation. For more information, see "Set Priority and Initial Target for Block Variables".

Ports

Conserving

N — North terminal

magnetic

Magnetic conserving port associated with the block North terminal.

S — South terminal

magnetic

Magnetic conserving port associated with the block South terminal.

Parameters

Main

Effective length — Effective length of the section being modeled

0.032 m (default) | positive noninfinite scalar

Effective length of the section being modeled, that is, the average distance of the magnetic path.

The value must be positive and noninfinite.

Effective cross-sectional area — Effective cross-sectional area of the section being modeled

1.6e-5 m² (default) | positive noninfinite scalar

Effective cross-sectional area of the section being modeled, that is, the average area of the magnetic path.

The value must be positive and noninfinite.

Averaging period for power logging — Excitation period used for averaging

0 s (default) | scalar

Averaging period for the hysteresis losses calculation. These losses are proportional to the area enclosed by the B-H trajectory. If the block is excited at a known, fixed frequency, you can set this value to the corresponding excitation period to calculate the hysteresis loss. In this case, the block logs the hysteresis loss once per AC cycle to the variable `power_dissipated`. If you are using a fixed-step solver, this value must be an integer multiple of the simulation step size.

If the block is not excited at a known, fixed frequency, set this parameter to 0. In this case, the block sets `power_dissipated` to zero, and you can calculate the actual hysteresis loss by post-processing the logged variable `power_instantaneous`.

Dependencies

This parameter is visible only when, in the **B-H Curve** settings, the **Parameterized by** parameter is set to Nonlinear reluctance with hysteresis (JA model).

B-H Curve

Parameterized by — B-H Curve parameterization method

Reluctance (B-H curve) (default) | Linear reluctance | Reluctance with single saturation point | Nonlinear reluctance with hysteresis (JA model)

B-H Curve parameterization method.

Dependencies

Selecting a parameterization method makes related parameters in the **B-H Curve** settings. If the **Nonlinear reluctance with hysteresis (JA model)** is the selected parameterization method, in the **Main** settings, the **Averaging period for power logging** is visible.

Relative magnetic permeability — Relative magnetic permeability

5000 (default) | scalar

Relative magnetic permeability.

The value must be positive and noninfinite.

Dependencies

This parameter is visible only when the **Parameterization method** parameter is set to **Linear reluctance**.

Unsaturated relative magnetic permeability — Relative magnetic permeability

5000 (default) | scalar

Relative magnetic permeability for an unsaturated inductor.

Dependencies

This parameter is visible only when the **Parameterization method** parameter is set to **Reluctance with single saturation point**.

Magnetic flux density at saturation — Magnetic flux density at saturation

1.5 T (default) | positive noninfinite scalar

Magnetic flux density for a saturated inductor.

The value must be positive and noninfinite.

Dependencies

This parameter is visible only when the **Parameterization method** parameter is set to **Reluctance with single saturation point**.

Magnetic field strength vector, H — Magnetic field strength vector

[0, 200, 400, 600, 800, 1000] A/m (default) | noninfinite vector

Magnetic field strength, H , specified as a vector with the same number of elements as the magnetic flux density, B . The vector must start with zero and increase monotonically.

Dependencies

This parameter is visible only when the **Parameterization method** parameter is set to **Reluctance (B-H curve)**.

Magnetic flux density vector, B — Magnetic flux density vector

[0, 1.25, 1.35, 1.44, 1.48, 1.49] T (default) | vector

Magnetic flux density, B , specified as a vector with the same number of elements as the magnetic field strength vector, H . The vector must start with zero and increase monotonically.

Dependencies

This parameter is visible only when the **Parameterization method** parameter is set to Reluctance (B-H curve).

Anhyseretic B-H gradient when H is zero — Gradient of the anhyseretic B-H curve around zero field strength

0.0063 m*T/A (default) | scalar

The gradient of the anhyseretic (no hysteresis) B-H curve around zero field strength. Set it to the average gradient of the positive-going and negative-going hysteresis curves.

Dependencies

This parameter is visible only when the Parameterization method parameter is set to Nonlinear reluctance with hysteresis (JA model).

Flux density point on anhyseretic B-H curve — Flux density of the point for field strength measurement

1.49 T (default) | scalar

Specify a point on the anhyseretic curve by providing its flux density value. Picking a point at high field strength where the positive-going and negative-going hysteresis curves align is the most accurate option.

Dependencies

This parameter is visible only when the Parameterization method parameter is set to Nonlinear reluctance with hysteresis (JA model).

Corresponding field strength — Field strength at measurement point

1000 A/m (default) | scalar

The corresponding field strength for the point that you define by the **Flux density point on anhyseretic B-H curve** parameter.

Dependencies

This parameter is visible only when the Parameterization method parameter is set to Nonlinear reluctance with hysteresis (JA model).

Coefficient for reversible magnetization, c — Proportion of magnetization that is reversible

0.1 (default) | scalar

The proportion of the magnetization that is reversible. The value must be greater than zero and less than one.

Dependencies

This parameter is visible only when the Parameterization method parameter is set to Nonlinear reluctance with hysteresis (JA model).

Bulk coupling coefficient, K — Jiles-Atherton equations parameter

200 A/m (default) | scalar

The Jiles-Atherton parameter that primarily controls the field strength magnitude at which the B-H curve crosses the zero flux density line.

Dependencies

This parameter is visible only when the Parameterization method parameter is set to Nonlinear reluctance with hysteresis (JA model).

Inter-domain coupling factor, alpha — Jiles-Atherton equations parameter

0.0001 (default) | scalar

The Jiles-Atherton parameter that primarily affects the points at which the B-H curves intersect the zero field strength line. Typical values are in the range of 1e-4 to 1e-3.

Dependencies

This parameter is visible only when the Parameterization method parameter is set to Nonlinear reluctance with hysteresis (JA model).

Interpolation method — Interpolation method

Linear (default) | Smooth

Select the method that the block uses to determine the output current values at intermediate time points that are not specified in the preceding vectors:

- Linear — Prioritize performance by using a linear function.
- Smooth — Prioritize accuracy by producing a continuous curve with continuous first-order derivatives.

References

- [1] Jiles, D. C. and D. L. Atherton. "Theory of ferromagnetic hysteresis." *Journal of Magnetism and Magnetic Materials*. Vol. 61, 1986, pp. 48-60.
- [2] Jiles, D. C. and D. L. Atherton. "Ferromagnetic hysteresis." *IEEE Transactions on Magnetics*. Vol. 19, No. 5, 1983, pp. 2183-2184.

Extended Capabilities**C/C++ Code Generation**

Generate C and C++ code using Simulink® Coder™.

See Also

Nonlinear Inductor | Nonlinear Transformer

Introduced in R2017b

Nonlinear Transformer

Transformer with nonideal core

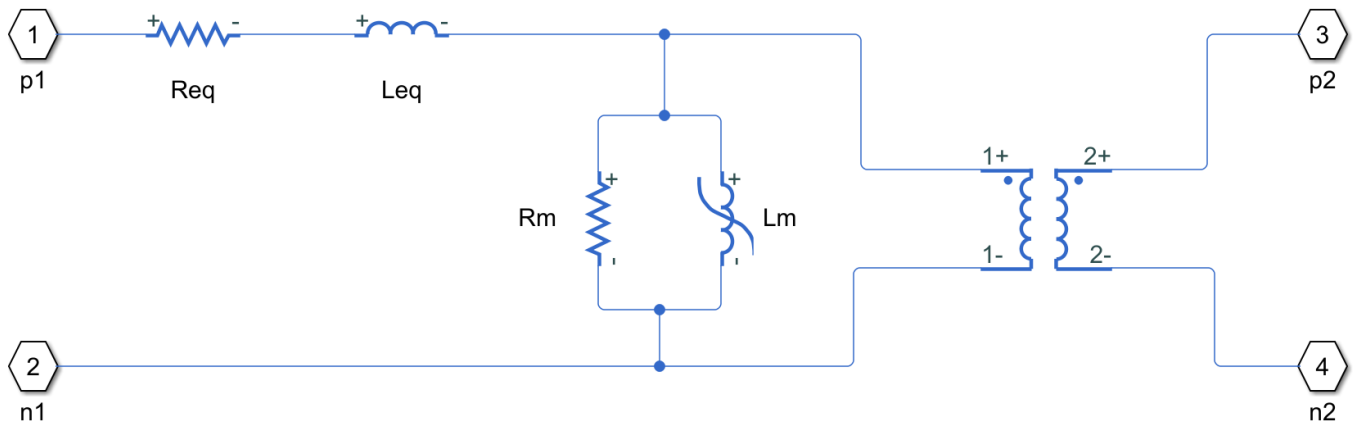
Library: Simscape / Electrical / Passive / Transformers



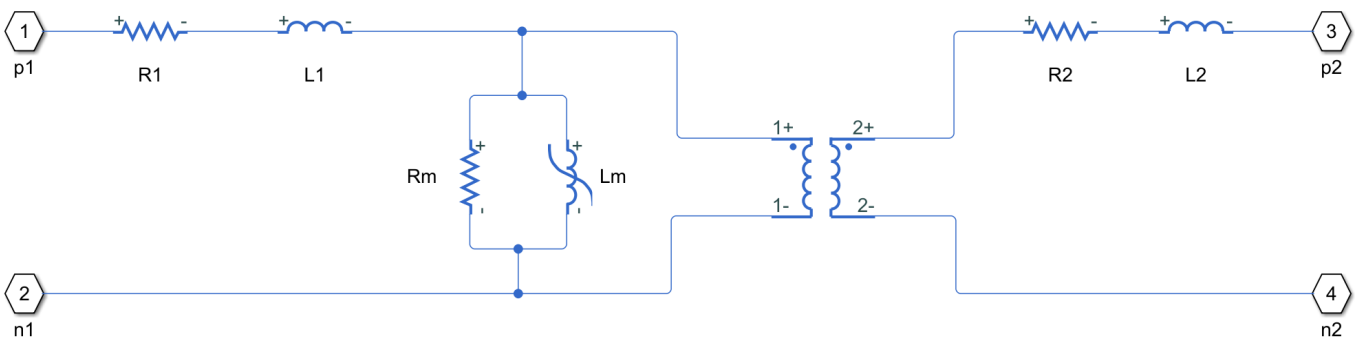
Description

The Nonlinear Transformer block represents a transformer with a nonideal core. A core may be nonideal due to its magnetic properties and dimensions. The equivalent circuit topology depends upon which of the two winding leakage parameterization options you select:

- Combined primary and secondary values



- Separate primary and secondary values



where:

- R_{eq} is the combined leakage resistance.
- L_{eq} is the combined leakage inductance.
- R_1 is the primary leakage resistance.
- L_1 is the primary leakage inductance.
- R_2 is the secondary leakage resistance.
- L_2 is the secondary leakage inductance.
- R_m is the magnetization resistance.
- L_m is the magnetization inductance.

The block provides the following parameterization options for the nonlinear magnetization inductance:

- Single inductance (linear)
- Single saturation point
- Magnetic flux versus current characteristic
- Magnetic flux density versus magnetic field strength characteristic
- Magnetic flux density versus magnetic field strength characteristic with hysteresis

For more information, see the Nonlinear Inductor block reference page.

Ports

Conserving

1+ — Primary winding positive polarity

electrical

Electrical conserving port associated with the primary winding positive polarity.

1- — Primary winding negative polarity

electrical

Electrical conserving port associated with the primary winding negative polarity.

Electrical conserving port associated with the primary winding negative polarity.

2+ — Secondary winding positive polarity

electrical

Electrical conserving port associated with the secondary winding positive polarity.

2- — Secondary winding negative polarity

electrical

Electrical conserving port associated with the secondary winding negative polarity.

Parameters

Main

Primary number of turns — Primary number of turns

100 (default)

The number of turns of wire on the primary winding of the transformer.

Secondary number of turns — Secondary number of turns

200 (default)

The number of turns of wire on the secondary winding of the transformer.

Winding parameterized by — Winding leakage parameterization

Combined primary and secondary values (default) | Separate primary and secondary values

Select one of the following methods for the winding leakage parameterization:

- Combined primary and secondary values — Use the lumped resistance and inductance values representing the combined leakage in the primary and secondary windings. This is the default option.
- Separate primary and secondary values — Use separate resistances and inductances to represent leakages in the primary and secondary windings.

Combined leakage resistance — Combined leakage resistance

0.01 Ohm (default)

The lumped equivalent resistance R_{eq} , which represents the combined power loss of the primary and secondary windings.

Dependencies

This parameter is visible only when you select Combined primary and secondary values for the **Winding parameterized by** parameter.

Combined leakage inductance — Combined leakage inductance

0.0001 H (default)

The lumped equivalent inductance L_{eq} , which represents the combined magnetic flux loss of the primary and secondary windings.

Dependencies

This parameter is visible only when you select Combined primary and secondary values for the **Winding parameterized by** parameter.

Primary leakage resistance — Primary leakage resistance

0.01 Ohm (default)

The resistance R_1 , which represents the power loss of the primary winding.

Dependencies

This parameter is visible only when you select Separate primary and secondary values for the **Winding parameterized by** parameter.

Primary leakage inductance — Primary leakage inductance

0.0001 H (default)

The inductance $L1$, which represents the magnetic flux loss of the primary winding.

Dependencies

This parameter is visible only when you select Separate primary and secondary values for the **Winding parameterized by** parameter.

Secondary leakage resistance — Secondary leakage resistance

0.01 Ohm (default)

The resistance $R2$, which represents the power loss of the secondary winding.

Dependencies

This parameter is visible only when you select Separate primary and secondary values for the **Winding parameterized by** parameter.

Secondary leakage inductance — Secondary leakage inductance

0.0001 H (default)

The inductance $L2$, which represents the magnetic flux loss of the secondary winding.

Dependencies

This parameter is visible only when you select Separate primary and secondary values for the **Winding parameterized by** parameter.

Averaging period for power logging — Averaging period for power logging

0 s (default)

Averaging period for power logging

Magnetization**Magnetization resistance — Magnetization resistance**

100 Ohm (default)

The resistance Rm , which represents the magnetic losses in the transformer core.

Magnetization inductance parameterized by — Nonlinear magnetization inductance parameterization

Single saturation point (default) | Single inductance (linear) | Magnetic flux versus current characteristic | Magnetic flux density versus field strength characteristic | Magnetic flux density versus field strength characteristic with hysteresis

Select one of the following methods for the nonlinear magnetization inductance parameterization:

- **Single inductance (linear)** — Provide the unsaturated inductance value.
- **Single saturation point** — Provide the values for the unsaturated and saturated inductances, as well as saturation magnetic flux. This is the default option.
- **Magnetic flux versus current characteristic** — Provide the current vector and the magnetic flux vector, to populate the magnetic flux versus current lookup table.
- **Magnetic flux density versus field strength characteristic** — Provide the values for effective core length and cross-sectional area, as well as the magnetic field strength vector and the magnetic flux density vector, to populate the magnetic flux density versus magnetic field strength lookup table.
- **Magnetic flux density versus field strength characteristic with hysteresis** — In addition to the number of turns and the effective core length and cross-sectional area, provide the values for the initial anhysteretic B-H curve gradient, the magnetic flux density and field strength at a certain point on the B-H curve, as well as the coefficient for the reversible magnetization, bulk coupling coefficient, and inter-domain coupling factor, to define magnetic flux density as a function of both the current value and the history of the field strength.

Unsaturated inductance — Unsaturated inductance

4e-2 H (default)

The value of inductance used when the magnetization inductance L_m is operating in its linear region.

Dependencies

This parameter is visible only when you select **Single inductance (linear)** or **Single saturation point** for the **Magnetization inductance parameterized by** parameter.

Saturated inductance — Saturated inductance

1e-2 H (default)

The value of inductance used when the magnetization inductance L_m is operating beyond its saturation point.

Dependencies

This parameter is visible only when you select **Single saturation point** for the **Magnetization inductance parameterized by** parameter.

Saturation magnetic flux — Saturation magnetic flux

1.6e-04 Wb (default)

The value of magnetic flux at which the magnetization inductance L_m saturates.

Dependencies

This parameter is visible only when you select **Single saturation point** for the **Magnetization inductance parameterized by** parameter.

Current vector, i — Current data

[0, .4, .8, 1.2, 1.6, 2] A (default)

The current data used to populate the magnetic flux versus current lookup table.

Dependencies

This parameter is visible only when you select Magnetic flux versus current characteristic for the **Magnetization inductance parameterized by** parameter.

Magnetic flux vector, phi – Magnetic flux vector

[0, .161, .25, .284, .295, .299] .* 1e-3 Wb (default)

The magnetic flux data used to populate the magnetic flux versus current lookup table.

Dependencies

This parameter is visible only when you select Magnetic flux versus current characteristic for the **Magnetization inductance parameterized by** parameter.

Magnetic field strength vector, H – Magnetic field strength vector

[0, 200, 400, 600, 800, 1000] A/m (default)

The magnetic field strength data used to populate the magnetic flux density versus magnetic field strength lookup table.

Dependencies

This parameter is visible only when you select Magnetic flux density versus field strength characteristic for the **Magnetization inductance parameterized by** parameter.

Magnetic flux density vector, B – Magnetic flux density vector

[0, .81, 1.25, 1.42, 1.48, 1.49] T (default)

The magnetic flux density data used to populate the magnetic flux density versus magnetic field strength lookup table.

Dependencies

This parameter is visible only when you select Magnetic flux density versus field strength characteristic for the **Magnetization inductance parameterized by** parameter.

Effective length – Effective length

0.2 m (default)

The effective core length, that is, the average distance of the magnetic path around the transformer core.

Dependencies

This parameter is visible only when you select Magnetic flux density versus field strength characteristic for the **Magnetization inductance parameterized by** parameter.

Effective cross-sectional area – Effective cross-sectional area

2e-4 m² (default)

The effective core cross-sectional area, that is, the average area of the magnetic path around the transformer core.

Dependencies

This parameter is visible only when you select Magnetic flux density versus field strength characteristic for the **Magnetization inductance parameterized by** parameter.

Anhyseretic B-H gradient when H is zero – Anhyseretic B-H gradient around zero field strength

0.005 m*T/A (default)

The gradient of the anhyseretic (no hysteresis) B-H curve around zero field strength. Set it to the average gradient of the positive-going and negative-going hysteresis curves.

Dependencies

This parameter is visible only when you select Magnetic flux density versus field strength characteristic with hysteresis for the **Magnetization inductance parameterized by** parameter.

Flux density point on anhyseretic B-H curve – Flux density point on anhyseretic B-H curve

1.49 T (default)

Specify a point on the anhyseretic curve by providing its flux density value. Picking a point at high field strength where the positive-going and negative-going hysteresis curves align is the most accurate option.

Dependencies

This parameter is visible only when you select Magnetic flux density versus field strength characteristic with hysteresis for the **Magnetization inductance parameterized by** parameter.

Corresponding field strength – Corresponding field strength

1000 A/m (default)

The corresponding field strength for the point that you define by the **Flux density point on anhyseretic B-H curve** parameter.

Dependencies

This parameter is visible only when you select Magnetic flux density versus field strength characteristic with hysteresis for the **Magnetization inductance parameterized by** parameter.

Coefficient for reversible magnetization, c – Coefficient for reversible magnetization

0.1 (default)

The proportion of the magnetization that is reversible. The value should be greater than zero and less than one.

Dependencies

This parameter is visible only when you select Magnetic flux density versus field strength characteristic with hysteresis for the **Magnetization inductance parameterized by** parameter.

Bulk coupling coefficient, K – Bulk coupling coefficient

200 A/m (default)

The Jiles-Atherton parameter that primarily controls the field strength magnitude at which the B-H curve crosses the zero flux density line.

Dependencies

This parameter is visible only when you select Magnetic flux density versus field strength characteristic with hysteresis for the **Magnetization inductance parameterized by** parameter.

Inter-domain coupling factor, alpha – Inter-domain coupling factor

1e-4 (default)

The Jiles-Atherton parameter that primarily affects the points at which the B-H curves intersect the zero field strength line. Typical values are in the range of 1e-4 to 1e-3.

Dependencies

This parameter is visible only when you select Magnetic flux density versus field strength characteristic with hysteresis for the **Magnetization inductance parameterized by** parameter.

Interpolation option – Interpolation option

Linear (default) | Smooth

The lookup table interpolation option. Select one of the following interpolation methods:

- **Linear** — Select this option to get the best performance.
- **Smooth** — Select this option to produce a continuous curve with continuous first-order derivatives.

For more information on interpolation algorithms, see the PS Lookup Table (1D) block reference page.

Dependencies

This parameter is visible only when you select Magnetic flux versus current characteristic or Magnetic flux density versus field strength characteristic for the **Magnetization inductance parameterized by** parameter.

Initial Conditions**Combined leakage inductance initial current – Combined leakage inductance initial current**

0 A (default)

The value of current through the combined leakage inductance L_{eq} at time zero.

Dependencies

This parameter is visible only when you select Combined primary and secondary values for the **Winding parameterized by** parameter on the **Main** tab.

Primary leakage inductance initial current – Primary leakage inductance initial current

0 A (default)

The value of current through the primary leakage inductance $L1$ at time zero.

Dependencies

This parameter is visible only when you select `Separate primary and secondary values` for the **Winding parameterized by** parameter on the **Main** tab.

Secondary leakage inductance initial current — Secondary leakage inductance initial current

0 A (default)

The value of current through the secondary leakage inductance $L2$ at time zero.

Dependencies

This parameter is visible only when you select `Separate primary and secondary values` for the **Winding parameterized by** parameter on the **Main** tab.

Specify magnetization inductance initial state by — Initial state specification option

Current (default) | Magnetic flux

Select the appropriate initial state specification option:

- **Current** — Specify the initial state of the magnetization inductance Lm by the initial current. This is the default option.
- **Magnetic flux** — Specify the initial state of the magnetization inductance Lm by the magnetic flux.

Dependencies

This parameter is not visible only when you select `Magnetic flux density versus magnetic field strength characteristic with hysteresis` for the **Magnetization inductance parameterized by** parameter on the **Magnetization** tab.

Magnetization inductance initial current — Magnetization inductance initial current

0 A (default)

The initial current value used to calculate the value of magnetic flux within the magnetization inductance Lm at time zero. This is the current passing through the magnetization inductance Lm . Total magnetization current consists of current passing through the magnetization resistance Rm and current passing through the magnetization inductance Lm .

Dependencies

This parameter is visible only when you select `Current` for the **Specify magnetization inductance initial state by** parameter.

Magnetization inductance initial magnetic flux — Magnetization inductance initial magnetic flux

0 Wb (default)

The value of the magnetic flux in the magnetization inductance Lm at time zero.

Dependencies

This parameter is visible only when you select `Magnetic flux` for the **Specify magnetization inductance initial state by** parameter.

Magnetization inductance initial magnetic flux density – Magnetization inductance initial magnetic flux density

0 T (default)

The value of magnetic flux density at time zero. This parameter is visible only when you select Magnetic flux density versus magnetic field strength characteristic with hysteresis for the **Magnetization inductance parameterized by** parameter on the **Magnetization** tab.

Dependencies

This parameter is visible only when you select Magnetic flux density versus field strength characteristic with hysteresis for the **Magnetization inductance parameterized by** parameter.

Magnetization inductance initial field strength – Magnetization inductance initial field strength

0 A/m (default)

The value of magnetic field strength at time zero.

Dependencies

This parameter is visible only when you select Magnetic flux density versus field strength characteristic with hysteresis for the **Magnetization inductance parameterized by** parameter.

Parasitics**Combined leakage inductance parasitic parallel conductance – Combined leakage inductance parasitic parallel conductance**

1e-9 1/0hm (default)

Use this parameter to represent small parasitic effects in parallel to the combined leakage inductance L_{eq} . A small parallel conductance may be required for the simulation of some circuit topologies.

Dependencies

This parameter is visible only when you select Combined primary and secondary values for the **Winding parameterized by** parameter on the **Main** tab.

Primary leakage inductance parasitic parallel conductance – Primary leakage inductance parasitic parallel conductance

1e-9 1/0hm (default)

Use this parameter to represent small parasitic effects in parallel to the primary leakage inductance L_1 . A small parallel conductance may be required for the simulation of some circuit topologies.

Dependencies

This parameter is visible only when you select Separate primary and secondary values for the **Winding parameterized by** parameter on the **Main** tab.

Secondary leakage inductance parasitic parallel conductance – Secondary leakage inductance parasitic parallel conductance

1e-9 (default)

Use this parameter to represent small parasitic effects in parallel to the secondary leakage inductance $L2$. A small parallel conductance may be required for the simulation of some circuit topologies.

Dependencies

This parameter is visible only when you select **Separate primary and secondary values** for the **Winding parameterized by** parameter on the **Main** tab.

Extended Capabilities**C/C++ Code Generation**

Generate C and C++ code using Simulink® Coder™.

See Also

[Earthing Transformer](#) | [Ideal Transformer](#) | [Tap-Changing Transformer](#) | [Three-Winding Transformer \(Three-Phase\)](#) | [Two-Winding Transformer \(Three-Phase\)](#) | [Zigzag-Delta-Wye Transformer](#)

Introduced in R2012b

NPN Bipolar Transistor

NPN bipolar transistor using enhanced Ebers-Moll equations

Library: Simscape / Electrical / Semiconductors & Converters



Description

The NPN Bipolar Transistor block uses a variant of the Ebers-Moll equations to represent an NPN bipolar transistor. The Ebers-Moll equations are based on two exponential diodes plus two current-controlled current sources. The NPN Bipolar Transistor block provides the following enhancements to that model:

- Early voltage effect
- Optional base, collector, and emitter resistances.
- Optional fixed base-emitter and base-collector capacitances.

The collector and base currents are:

$$I_C = IS \left[\left(e^{qV_{BE}/(kT_{m1})} - e^{qV_{BC}/(kT_{m1})} \right) \left(1 - \frac{V_{BC}}{V_A} \right) - \frac{1}{\beta_R} \left(e^{qV_{BC}/(kT_{m1})} - 1 \right) \right]$$

$$I_B = IS \left[\frac{1}{\beta_F} \left(e^{qV_{BE}/(kT_{m1})} - 1 \right) + \frac{1}{\beta_R} \left(e^{qV_{BC}/(kT_{m1})} - 1 \right) \right]$$

Where:

- I_B and I_C are base and collector currents, defined as positive into the device.
- IS is the saturation current.
- V_{BE} is the base-emitter voltage and V_{BC} is the base-collector voltage.
- β_F is the ideal maximum forward current gain BF
- β_R is the ideal maximum reverse current gain BR
- V_A is the forward Early voltage VAF
- q is the elementary charge on an electron (1.602176e-19 Coulombs).
- k is the Boltzmann constant (1.3806503e-23 J/K).
- T_{m1} is the transistor temperature, as defined by the **Measurement temperature** parameter value.

You can specify the transistor behavior using datasheet parameters that the block uses to calculate the parameters for these equations, or you can specify the equation parameters directly.

If $qV_{BC} / (kT_{m1}) > 40$ or $qV_{BE} / (kT_{m1}) > 40$, the corresponding exponential terms in the equations are replaced with $(qV_{BC} / (kT_{m1}) - 39)e^{40}$ and $(qV_{BE} / (kT_{m1}) - 39)e^{40}$, respectively. This helps prevent numerical issues associated with the steep gradient of the exponential function e^x at large values of x .

Similarly, if $qV_{BC} / (kT_{m1}) < -39$ or $qV_{BE} / (kT_{m1}) < -39$ then the corresponding exponential terms in the equations are replaced with $(qV_{BC} / (kT_{m1}) + 40)e^{-39}$ and $(qV_{BE} / (kT_{m1}) + 40)e^{-39}$, respectively.

Optionally, you can specify fixed capacitances across the base-emitter and base-collector junctions. You also have the option to specify base, collector, and emitter connection resistances.

Modeling Temperature Dependence

The default behavior is that dependence on temperature is not modeled, and the device is simulated at the temperature for which you provide block parameters. You can optionally include modeling the dependence of the transistor static behavior on temperature during simulation. Temperature dependence of the junction capacitances is not modeled, this being a much smaller effect.

When including temperature dependence, the transistor defining equations remain the same. The measurement temperature value, T_{m1} , is replaced with the simulation temperature, T_s . The saturation current, IS , and the forward and reverse gains (β_F and β_R) become a function of temperature according to the following equations:

$$IS_{T_s} = IS_{T_{m1}} \cdot (T_s/T_{m1})^{XTI} \cdot \exp\left(-\frac{EG}{kT_s}(1 - T_s/T_{m1})\right)$$

$$\beta_{F_s} = \beta_{F_{m1}} \left(\frac{T_s}{T_{m1}}\right)^{XTB}$$

$$\beta_{R_s} = \beta_{R_{m1}} \left(\frac{T_s}{T_{m1}}\right)^{XTB}$$

where:

- T_{m1} is the temperature at which the transistor parameters are specified, as defined by the **Measurement temperature** parameter value.
- T_s is the simulation temperature.
- $IS_{T_{m1}}$ is the saturation current at the measurement temperature.
- IS_{T_s} is the saturation current at the simulation temperature. This is the saturation current value used in the bipolar transistor equations when temperature dependence is modeled.
- $\beta_{F_{m1}}$ and $\beta_{R_{m1}}$ are the forward and reverse gains at the measurement temperature.
- β_{F_s} and β_{R_s} are the forward and reverse gains at the simulation temperature. These are the values used in the bipolar transistor equations when temperature dependence is modeled.
- EG is the energy gap for the semiconductor type measured in Joules. The value for silicon is usually taken to be 1.11 eV, where 1 eV is 1.602e-19 Joules.
- XTI is the saturation current temperature exponent.
- XTB is the forward and reverse gain temperature coefficient.
- k is the Boltzmann constant (1.3806503e-23 J/K).

Appropriate values for XTI and EG depend on the type of transistor and the semiconductor material used. In practice, the values of XTI , EG , and XTB need tuning to model the exact behavior of a particular transistor. Some manufacturers quote these tuned values in a SPICE Netlist, and you can read off the appropriate values. Otherwise you can determine values for XTI , EG , and XTB by using a datasheet-defined data at a higher temperature T_{m2} . The block provides a datasheet parameterization option for this.

You can also tune the values of XTI , EG , and XTB yourself, to match lab data for your particular device. You can use Simulink Design Optimization software to help tune the values.

Thermal Port

The block has an optional thermal port, hidden by default. To expose the thermal port, right-click the block in your model, and then from the context menu select **Simscape > Block choices > Show thermal port**. This action displays the thermal port **H** on the block icon, and exposes the **Thermal Port** parameters.

Use the thermal port to simulate the effects of generated heat and device temperature. For more information on using thermal ports and on the **Thermal Port** parameters, see “Simulating Thermal Effects in Semiconductors”.

Assumptions and Limitations

- The block does not account for temperature-dependent effects on the junction capacitances.
- You may need to use nonzero ohmic resistance and junction capacitance values to prevent numerical simulation issues, but the simulation may run faster with these values set to zero.

Ports

Conserving

B — Base terminal

electrical

Electrical conserving port associated with the transistor base terminal

C — Collector terminal

electrical

Electrical conserving port associated with the transistor collector terminal

E — Emitter terminal

electrical

Electrical conserving port associated with the transistor emitter terminal

Parameters

Main

Parameterization — Block parameterization

Specify from a datasheet (default) | Specify using equation parameters directly

Select one of the following methods for block parameterization:

- **Specify from a datasheet** — Provide parameters that the block converts to equations that describe the transistor. The block calculates the forward Early voltage VAF as Ic/h_{oe} , where Ic is the **Collector current at which h-parameters are defined** parameter value, and h_{oe} is the **Output admittance h_{oe}** parameter value [1]. The block sets BF to the small-signal **Forward current transfer ratio h_{fe}** value. The block calculates the saturation current IS from the

specified **Voltage Vbe** value and the corresponding **Current Ib for voltage Vbe** value when I_c is zero. This is the default method.

- Specify using equation parameters directly — Provide equation parameters IS , BF , and VAF .

Forward current transfer ratio h_{fe} — Forward current transfer ratio

100 (default)

Small-signal current gain.

Dependencies

This parameter is visible only when you select Specify from a datasheet for the **Parameterization** parameter.

Output admittance h_{oe} — Output admittance

50e-6 1/Ohm (default)

Derivative of the collector current with respect to the collector-emitter voltage for a fixed base current.

Dependencies

This parameter is visible only when you select Specify from a datasheet for the **Parameterization** parameter.

Collector current at which h-parameters are defined — Collector current at which h-parameters are defined

1 mA (default)

The h-parameters vary with operating point, and are defined for this value of the collector current.

Dependencies

This parameter is visible only when you select Specify from a datasheet for the **Parameterization** parameter.

Collector-emitter voltage at which h-parameters are defined — Collector-emitter voltage at which h-parameters are defined

5 V (default)

The h-parameters vary with operating point, and are defined for this value of the collector-emitter voltage.

Dependencies

This parameter is visible only when you select Specify from a datasheet for the **Parameterization** parameter.

Voltage Vbe — Base-emitter voltage

0.55 V (default)

Base-emitter voltage when the base current is I_b . The [$V_{be} I_b$] data pair must be quoted for when the transistor is in the normal active region, that is, not in the saturated region.

Dependencies

This parameter is visible only when you select Specify from a datasheet for the **Parameterization** parameter.

Current I_b for voltage V_{be} — Current I_b for voltage V_{be}

0.5 mA (default)

Base current when the base-emitter voltage is V_{be} . The [V_{be} I_b] data pair must be quoted for when the transistor is in the normal active region, that is, not in the saturated region.

Dependencies

This parameter is visible only when you select Specify from a datasheet for the **Parameterization** parameter.

Forward current transfer ratio BF — Forward current transfer ratio

100 (default)

Ideal maximum forward current gain.

Dependencies

This parameter is visible only when you select Specify using equation parameters directly for the **Parameterization** parameter.

Saturation current I_S — Saturation current

1e-14 A (default)

Transistor saturation current.

Dependencies

This parameter is visible only when you select Specify using equation parameters directly for the **Parameterization** parameter.

Forward Early voltage V_{AF} — Forward Early voltage

200 V (default)

In the standard Ebers-Moll equations, the gradient of the I_c versus V_{ce} curve is zero in the normal active region. The additional forward Early voltage term increases this gradient. The intercept on the V_{ce} -axis is equal to $-V_{AF}$ when the linear region is extrapolated.

Dependencies

This parameter is visible only when you select Specify using equation parameters directly for the **Parameterization** parameter.

Reverse current transfer ratio BR — Reverse current transfer ratio

1 (default)

Ideal maximum reverse current gain. This value is often not quoted in manufacturer datasheets, because it is not significant when the transistor is biased to operate in the normal active region. When the value is not known and the transistor is not to be operated on the inverse region, use the default value of 1.

Measurement temperature – Measurement temperature

25 degC (default)

Temperature T_{m1} at which V_{be} and I_b , or I_S , are measured. The default value is 25 °C.

Ohmic Resistance**Collector resistance RC – Collector resistance**

0.01 Ohm (default)

Resistance at the collector.

Emitter resistance RE – Emitter resistance

1e-4 Ohm (default)

Resistance at the emitter.

Zero bias base resistance RB – Zero bias base resistance RB

1 Ohm (default)

Resistance at the base at zero bias.

Capacitance**Base-collector junction capacitance – Base-collector junction capacitance**

5 pF (default)

Parasitic capacitance across the base-collector junction.

Base-emitter junction capacitance – Base-emitter junction capacitance

5 pF (default)

Parasitic capacitance across the base-emitter junction.

Total forward transit time – Total forward transit time

0 us (default)

Represents the mean time for the minority carriers to cross the base region from the emitter to the collector, and is often denoted by the parameter TF [1].

Total reverse transit time – Total reverse transit time

0 us (default)

Represents the mean time for the minority carriers to cross the base region from the collector to the emitter, and is often denoted by the parameter TR [1].

Temperature Dependence**Parameterization – Temperature dependence parameterization**

None – Simulate at parameter measurement temperature (default) | Model temperature dependence

Select one of the following methods for temperature dependence parameterization:

- None – Simulate at parameter measurement temperature — Temperature dependence is not modeled, or the model is simulated at the measurement temperature T_{m1} (as specified by the **Measurement temperature** parameter on the **Main** tab). This is the default method.
- Model temperature dependence — Provide a value for simulation temperature, to model temperature-dependent effects. You also have to provide a set of additional parameters depending on the block parameterization method. If you parameterize the block from a datasheet, you have to provide values for a second [V_{be} I_b] data pair and h_{fe} at second measurement temperature. If you parameterize by directly specifying equation parameters, you have to provide the values for X_{TI} , EG , and X_{TB} .

Forward current transfer ratio, h_{fe} , at second measurement temperature — Forward current transfer ratio, h_{fe} , at second measurement temperature

125 (default)

Small-signal current gain at the second measurement temperature. It must be quoted at the same collector-emitter voltage and collector current as for the **Forward current transfer ratio h_{fe}** parameter on the **Main** tab.

Dependencies

This parameter is visible only when you select Specify from a datasheet for the **Parameterization** parameter on the **Main** tab.

Voltage V_{be} at second measurement temperature — Voltage V_{be} at second measurement temperature

0.45 V (default)

Base-emitter voltage when the base current is I_b and the temperature is set to the second measurement temperature. The [V_{be} I_b] data pair must be quoted for when the transistor is in the normal active region, that is, not in the saturated region.

Dependencies

This parameter is visible only when you select Specify from a datasheet for the **Parameterization** parameter on the **Main** tab.

Current I_b for voltage V_{be} at second measurement temperature — Current I_b for voltage V_{be} at second measurement temperature

0.5 mA (default)

Base current when the base-emitter voltage is V_{be} and the temperature is set to the second measurement temperature. The [V_{be} I_b] data pair must be quoted for when the transistor is in the normal active region, that is, not in the saturated region.

Dependencies

This parameter is visible only when you select Specify from a datasheet for the **Parameterization** parameter on the **Main** tab.

Second measurement temperature — Second measurement temperature

125 degC (default)

Second temperature T_{m2} at which h_{fe} , V_{be} , and I_b are measured.

Dependencies

This parameter is visible only when you select Specify from a datasheet for the **Parameterization** parameter on the **Main** tab.

Current gain temperature coefficient, XTB — Current gain temperature coefficient
0 (default)

Current gain temperature coefficient value.

Dependencies

This parameter is visible only when you select Specify using equation parameters directly for the **Parameterization** parameter on the **Main** tab.

Energy gap, EG — Energy gap
1.11 eV (default)

Energy gap value.

Dependencies

This parameter is visible only when you select Specify using equation parameters directly for the **Parameterization** parameter on the **Main** tab.

Saturation current temperature exponent, XTI — Saturation current temperature exponent
3 (default)

Saturation current temperature coefficient value.

Dependencies

This parameter is visible only when you select Specify using equation parameters directly for the **Parameterization** parameter on the **Main** tab.

Device simulation temperature — Device simulation temperature
25 degC (default)

Temperature T_s at which the device is simulated.

Compatibility Considerations

Thermal network simlog paths
Behavior changed in R2019b

From R2019b forward, it is possible to model the thermal network of this block either internally or externally.

As a result, the simlog paths corresponding to the thermal network have changed. If you have a script that programmatically access the simlog, you have to manually update it to reflect these changes.

References

[1] G. Massobrio and P. Antognetti. *Semiconductor Device Modeling with SPICE*. 2nd Edition, McGraw-Hill, 1993.

[2] H. Ahmed and P.J. Spreadbury. *Analogue and digital electronics for engineers*. 2nd Edition, Cambridge University Press, 1984.

Extended Capabilities

C/C++ Code Generation

Generate C and C++ code using Simulink® Coder™.

See Also

Diode | PNP Bipolar Transistor

Introduced in R2008a

On-Off Delay

Boolean-signal delay

Library: Simscape / Electrical / Control / General Control



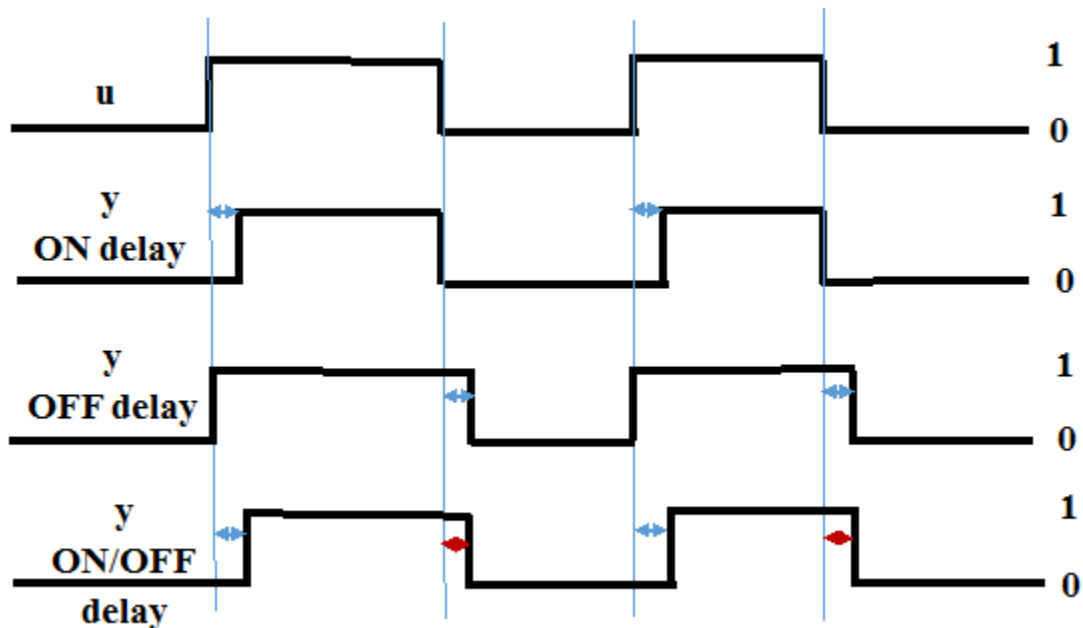
Description

The On-Off Delay block applies a delay on the Boolean input signal.

A time delay is added when a transition is detected in the input signal. This block allows you to add a time delay to the input signal when:

- An ON transition (input change from 0 to 1) is detected,
- An OFF transition (input signal change from 1 to 0) is detected, or
- Either transition is detected.

The operation of the on-off delay is represented in the following figure:



Ports

Input

u – Input signal

0 | 1

Input Boolean signal.

Data Types: Boolean

Output

y — Output signal

0 | 1

Output signal with delays.

Data Types: Boolean

Parameters

ON delay time (s) — Input ON delay time

0.01 (default) | 0 | positive scalar

Specify delay time when input is ON.

OFF delay time (s) — Input OFF delay time

0 (default) | positive scalar

Specify delay time when input is OFF.

Initial state — Signal initial state

0 (default) | 1

Specify initial state.

Sample time — Block sample time

0.001 (default) | 0 | positive scalar

Time between consecutive block executions. During execution, the block produces outputs and, if appropriate, updates its internal state. For more information, see “What Is Sample Time?” and “Specify Sample Time”.

For discrete-time operation, set the sample time to a positive value. For continuous-time operation, set the sample time to 0.

If this block is in a masked subsystem, or other variant subsystem that allows either continuous and discrete operation, promote the sample time parameter. Promoting the sample time parameter ensures correct switching between the continuous and discrete implementations of the block. For more information, see “Promote Parameter to Mask”.

Extended Capabilities

C/C++ Code Generation

Generate C and C++ code using Simulink® Coder™.

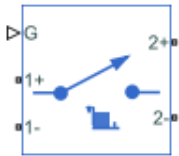
See Also

Introduced in R2018b

One-Quadrant Chopper

Controller-driven one-quadrant chopper

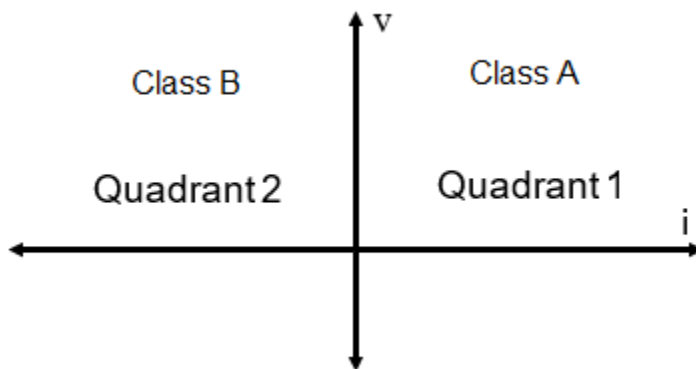
Library: Simscape / Electrical / Semiconductors & Converters / Converters



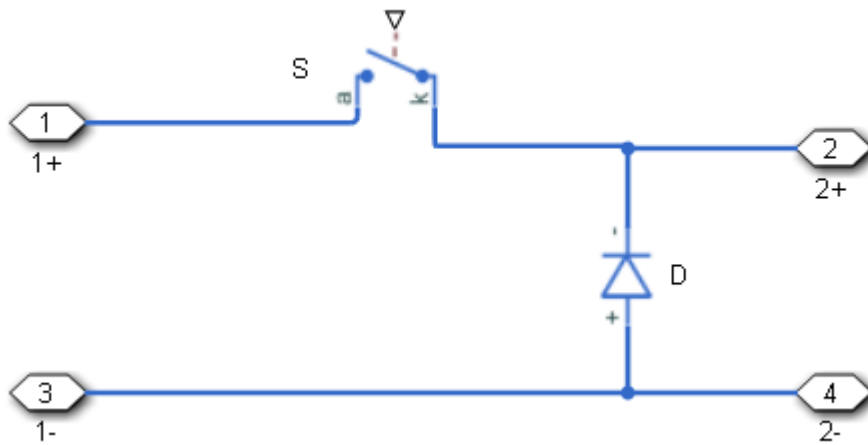
Description

The One-Quadrant Chopper block represents a one-quadrant controlled chopper for converting a fixed DC input to a variable DC output.

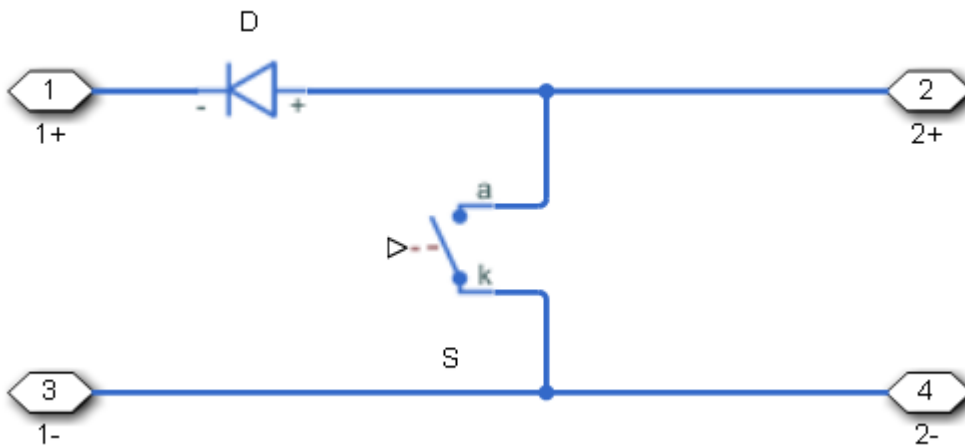
The circuit topology and quadrant depend on the class of chopper that you specify.



A first-quadrant or class A chopper contains a power switch and a diode.



A second-quadrant or class B chopper also contains a power switch and a diode.



For either topology, the switch S can be a fully controlled switching device (for example, an IGBT or GTO) or a partially controlled switching device (for example, a thyristor).

Options for the switching device type are:

- GTO — Gate turn-off thyristor. For information about the I-V characteristic of the device, see GTO.
- Ideal semiconductor switch — For information about the I-V characteristic of the device, see Ideal Semiconductor Switch.
- IGBT — Insulated-gate bipolar transistor. For information about the I-V characteristic of the device, see IGBT (Ideal, Switching).
- MOSFET — N-channel metal-oxide-semiconductor field-effect transistor. For information about the I-V characteristic of the device, see MOSFET (Ideal, Switching).
- Thyristor — For information about the I-V characteristic of the device, see Thyristor (Piecewise Linear).

- Averaged Switch.

Model

There are two model variants for the block. To access the model variants, in the model window, right-click the block. From the context menu, select **Simscape > Block choices**.

The model variants are:

- PS control port — Chopper with a physical signal port. This block choice is the default.
- Electrical control ports — Chopper with one positive and one negative electrical conserving port. To control switching device gates using Simscape Electrical blocks, select this option.

Protection

An inductive load can produce a high reverse-voltage spike when the semiconductor device suddenly switches off the voltage supply to the load. To protect the semiconductor device, an integral protection diode provides a conduction path for reverse current.

To include and configure the internal protection diode block for the *S* switching device, use the **Diode** parameters. This table shows how to set the **Model dynamics** parameter based on your goals.

Goals		Value to Select	Integral Protection Diode
Do not include protection.		None	None
Include protection.	Prioritize simulation speed.	Diode with no dynamics	The Diode block
	Prioritize model fidelity by precisely specifying reverse-mode charge dynamics.	Diode with charge dynamics	The dynamic model of the Diode block

You can also include a snubber circuit for each switching device. Snubber circuits contain a series-connected resistor and capacitor. They protect switching devices against high voltages that inductive loads produce when the device turns off the voltage supply to the load. Snubber circuits also prevent excessive rates of current change when a switching device turns on.

To include and configure a snubber circuit for each switching device, use the **Snubbers** parameters.

Gate Control

You can connect gate-control voltage signals to the gate ports of the switching devices.

- For the PS control port model:
 - 1 Convert a Simulink gate-control voltage signal to a physical signal using a Simulink-PS Converter block.
 - 2 Connect the Simulink-PS Converter block to the **G** port.
- For the electrical control ports model:

- 1 Connect a Simscape electrical-domain positive DC voltage signal to the **G+** port.
- 2 Connect the Simscape electrical-domain negative DC voltage signal to the **G-** port.

Ports

Input

G – Switching device gate control

physical signal | scalar

Physical signal port associated with the gate terminals of the switching device.

Dependencies

This port is enabled only for the `PS control port` block choice.

Data Types: `double`

Conserving

G+ – Switching device gate control positive terminal

electrical | scalar

Positive electrical conserving port associated with the positive gate terminal of the switching device.

Dependencies

This port is enabled only for the `Electrical control ports` block choice.

Data Types: `double`

G- – Switching device gate control negative terminal

electrical | scalar

Negative electrical conserving port associated with the negative gate terminal of the switching device.

Dependencies

This port is enabled only for the `Electrical control ports` block choice.

Data Types: `double`

1+ – Positive DC voltage 1

electrical | scalar

Electrical conserving port associated with the positive terminal of the first DC voltage.

Data Types: `double`

1- – Negative DC voltage 1

electrical | scalar

Electrical conserving port associated with the negative terminal of the first DC voltage.

Data Types: `double`

2+ – Positive DC voltage 2

electrical | scalar

Electrical conserving port associated with the positive terminal of the second DC voltage.

Data Types: double

2- – Negative DC voltage 2

electrical | scalar

Electrical conserving port associated with the negative terminal of the second DC voltage.

Data Types: double

Parameters

Switching Devices

This table shows how the visibility of **Switching Devices** parameters depends on the **Switching device** that you select. To learn how to read the table, see “Parameter Dependencies” on page A-2.

Switching Devices Parameter Dependencies

Switching Device					
Chopper type — Choose Class A - first quadrant or Class B - second quadrant.					
Switching device — Choose Ideal Semiconductor Switch, GTO, IGBT, MOSFET, Thyristor, or Averaged Switch.					
Ideal Semiconductor Switch	GTO	IGBT	MOSFET	Thyristor	Averaged Switch
On-state resistance	Forward voltage	Forward voltage	Drain-source on resistance	Forward voltage	On-state resistance
Off-state conductance	On-state resistance	On-state resistance	Off-state conductance	On-state resistance	
Threshold voltage	Off-state conductance	Off-state conductance	Threshold voltage	Off-state conductance	
	Gate trigger voltage, Vgt	Threshold voltage		Gate trigger voltage, Vgt	
	Gate turn-off voltage, Vgt_off			Gate turn-off voltage, Vgt_off	
	Holding current			Holding current	

Chopper type – Chopper class

Class A - first quadrant (default) | Class B - second quadrant

Chopper class.

Switching device – Switch type

Ideal Semiconductor Switch (default) | GTO | IGBT | MOSFET | Thyristor | Averaged Switch

Switching device type for the converter.

Dependencies

See the Switching Devices Parameter Dependencies table.

Forward voltage — Voltage

0.8 Ohm (default) | scalar

For the different switching device types, the **Forward voltage** is taken as:

- GTO — Minimum voltage required across the anode and cathode block ports for the gradient of the device I-V characteristic to be $1/R_{on}$, where R_{on} is the value of **On-state resistance**
- IGBT — Minimum voltage required across the collector and emitter block ports for the gradient of the diode I-V characteristic to be $1/R_{on}$, where R_{on} is the value of **On-state resistance**
- Thyristor — Minimum voltage required for the device to turn on

Dependencies

See the Switching Devices Parameter Dependencies table.

On-state resistance — Resistance

0.001 Ohm (default) | scalar

For the different switching device types, the **On-state resistance** is taken as:

- GTO — Rate of change of voltage versus current above the forward voltage
- Ideal semiconductor switch — Anode-cathode resistance when the device is on
- IGBT — Collector-emitter resistance when the device is on
- Thyristor — Anode-cathode resistance when the device is on
- Averaged switch — Anode-cathode resistance when the device is on

Dependencies

See the Switching Devices Parameter Dependencies table.

Drain-source on resistance — Resistance

0.001 Ohm (default) | scalar

Resistance between the drain and the source, which also depends on the gate-to-source voltage.

Dependencies

See the Switching Devices Parameter Dependencies table.

Off-state conductance — Conductance

1e-5 1/Ohm (default) | scalar

Conductance when the device is off. The value must be less than $1/R$, where R is the value of **On-state resistance**.

For the different switching device types, the **On-state resistance** is taken as:

- GTO — Anode-cathode conductance

- Ideal semiconductor switch — Anode-cathode conductance
- IGBT — Collector-emitter conductance
- MOSFET — Drain-source conductance
- Thyristor — Anode-cathode conductance

Dependencies

See the Switching Devices Parameter Dependencies table.

Threshold voltage — Voltage threshold

6 V (default) | scalar

Gate voltage threshold. The device turns on when the gate voltage is above this value. For the different switching device types, the device voltage of interest is:

- Ideal semiconductor switch — Gate-emitter voltage
- IGBT — Gate-cathode voltage
- MOSFET — Gate-source voltage

Dependencies

See the Switching Devices Parameter Dependencies table.

Gate trigger voltage, V_{gt} — Voltage threshold

1 V (default) | scalar

Gate-cathode voltage threshold. The device turns on when the gate-cathode voltage is above this value.

Dependencies

See the Switching Devices Parameter Dependencies table.

Gate turn-off voltage, V_{gt_off} — Voltage threshold

-1 V (default) | scalar

Gate-cathode voltage threshold. The device turns off when the gate-cathode voltage is below this value.

Dependencies

See the Switching Devices Parameter Dependencies table.

Holding current — Current threshold

1 A (default) | scalar

Gate current threshold. The device stays on when the current is above this value, even when the gate-cathode voltage falls below the gate trigger voltage.

Dependencies

See the Switching Devices Parameter Dependencies table.

Diode

The visibility of **Diode** parameters depends on how you configure the protection diode **Model dynamics** and **Reverse recovery time parameterization** parameters. To learn how to read this table, see “Parameter Dependencies” on page A-2.

Diode Parameter Dependencies

Diode			
Model dynamics — Choose Diode with no dynamics or Diode with charge dynamics.			
Diode with no dynamics	Diode with charge dynamics		
Forward voltage	Forward voltage		
On resistance	On resistance		
Off conductance	Off conductance		
	Junction capacitance		
	Peak reverse current, iRM		
	Initial forward current when measuring iRM		
	Rate of change of current when measuring iRM		
	Reverse recovery time parameterization — Choose Specify stretch factor, Specify reverse recovery time directly, or Specify reverse recovery charge.		
	Specify stretch factor	Specify reverse recovery time directly	Specify reverse recovery charge
	Reverse recovery time stretch factor	Reverse recovery time, trr	Reverse recovery charge, Qrr

Model dynamics — Diode model

Diode with no dynamics (default) | Diode with charge dynamics

Diode type. The options are:

- **Diode with no dynamics** — Select this option to prioritize simulation speed using the Diode block.
- **Diode with charge dynamics** — Select this option to prioritize model fidelity in terms of reverse mode charge dynamics using the commutation model of the Diode block.

Note If you select Averaged Switch for the **Switching Device** parameter in the **Switching Device** setting, this parameter is not visible and Diode with no dynamics is automatically selected.

Dependencies

See the Diode Parameter Dependencies table.

Forward voltage — Voltage

0.8 V (default) | scalar

Minimum voltage required across the positive and negative block ports for the gradient of the diode I-V characteristic to be $1/R_{on}$, where R_{on} is the value of **On resistance**.

On resistance — Resistance

0.001 Ohm (default) | scalar

Rate of change of voltage versus current above the **Forward voltage**.

Off conductance — Conductance

1e-5 1/Ohm (default) | scalar

Conductance of the reverse-biased diode.

Junction capacitance — Capacitance

50 nF (default) | scalar

Diode junction capacitance.

Dependencies

See the Diode Parameter Dependencies table.

Peak reverse current, i_{RM} — Current

-235 A (default) | scalar less than 0

Peak reverse current measured by an external test circuit.

Dependencies

See the Diode Parameter Dependencies table.

Initial forward current when measuring i_{RM} — Current

300 A (default) | scalar greater than 0

Initial forward current when measuring peak reverse current. This value must be greater than zero.

Dependencies

See the Diode Parameter Dependencies table.

Rate of change of current when measuring i_{RM} — Current change rate

-50 A/us (default) | scalar

Rate of change of current when measuring peak reverse current.

Dependencies

See the Diode Parameter Dependencies table.

Reverse recovery time parameterization — Recovery-time model

Specify stretch factor (default) | Specify reverse recovery time directly | Specify reverse recovery charge

Model for parameterizing the recovery time. When you select **Specify stretch factor** or **Specify reverse recovery charge**, you can specify a value that the block uses to derive the reverse recovery time. For more information on these options, see “How the Block Calculates T_M and τ ” on page 1-374.

Dependencies

See the Diode Parameter Dependencies table.

Reverse recovery time stretch factor – Stretch factor

3 (default) | scalar greater than 1

Value that the block uses to calculate **Reverse recovery time, trr**. Specifying the stretch factor is an easier way to parameterize the reverse recovery time than specifying the reverse recovery charge. The larger the value of the stretch factor, the longer it takes for the reverse recovery current to dissipate.

Dependencies

See the Diode Parameter Dependencies table.

Reverse recovery time, trr – Time

15 μ s (default) | scalar

Interval between the time when the current initially goes to zero (when the diode turns off) and the time when the current falls to less than 10 percent of the peak reverse current.

The value of the **Reverse recovery time, trr** parameter must be greater than the value of the **Peak reverse current, iRM** parameter divided by the value of the **Rate of change of current when measuring iRM** parameter.

Dependencies

See the Diode Parameter Dependencies table.

Reverse recovery charge, Qrr – Charge

1500 s* μ A (default) | scalar

Value that the block uses to calculate **Reverse recovery time, trr**. Use this parameter if the data sheet for your diode device specifies a value for the reverse recovery charge instead of a value for the reverse recovery time.

The reverse recovery charge is the total charge that continues to dissipate when the diode turns off.

The value must be less than $-\frac{i_{RM}^2}{2a}$,

where:

- i_{RM} is the value specified for **Peak reverse current, iRM**.
- a is the value specified for **Rate of change of current when measuring iRM**.

Dependencies

See the Diode Parameter Dependencies table.

Snubbers

The **Snubbers** parameters tab is not visible if you set **Switching device** to Averaged Switch.

The table summarizes the **Snubbers** parameter dependencies. To learn how to read the table, see “Parameter Dependencies” on page A-2.

Snubbers Parameter Dependencies

Snubbers	
Snubber — Choose None or RC Snubber.	
None	RC Snubber
	Snubber resistance
	Snubber capacitance

Snubber — Snubber model

None (default) | RC snubber

Switching device snubber.

Dependencies

See the Snubbers Parameter Dependencies table.

Snubber resistance — Resistance

0.1 Ohm (default) | scalar

Resistance of the switching device snubber.

Dependencies

See the Snubbers Parameter Dependencies table.

Snubber capacitance — Capacitance

1e-7 (default) | F | scalar

Capacitance of the switching device snubber.

Dependencies

See the Snubbers Parameter Dependencies table.

References

[1] Trzynadlowski, A. M. *Introduction to Modern Power Electronics*. 2nd Ed. Hoboken, NJ: John Wiley & Sons Inc., 2010.

Extended Capabilities

C/C++ Code Generation

Generate C and C++ code using Simulink® Coder™.

See Also

Average-Value Chopper | Four-Quadrant Chopper | Two-Quadrant Chopper

Introduced in R2018b

Open Circuit (Three-Phase)

Three-phase terminator that draws no current

Library: Simscape / Electrical / Connectors & References



Description

The Open Circuit (Three-Phase) block models a three-phase connection that draws no current on any of the three phases.

Ports

Conserving

~ — **Three-phase port**
electrical

Expandable composite (**a,b, c**) three-phase port

Compatibility Considerations

Capping unconnected ports is no longer required

Behavior changed in R2019b

This block is no longer required. Starting in R2019b, the restriction that disallowed unconnected conserving ports in Simscape models has been lifted. Now, if you leave a conserving port unconnected, the physical network sets all the Through variables at this port to 0. However, you can still use terminator blocks to improve diagram readability.

There are no plans to remove the terminator blocks. All the existing models using these blocks work the same as in previous releases.

Extended Capabilities

C/C++ Code Generation

Generate C and C++ code using Simulink® Coder™.

See Also

Floating Neutral (Three-Phase) | Grounded Neutral (Three-Phase) | Neutral Port (Three-Phase)

Introduced in R2013b

Operational Transconductance Amplifier

Behavioral representation of operational transconductance amplifier

Library: Simscape / Electrical / Integrated Circuits



Description

The Operational Transconductance Amplifier block provides a behavioral representation of an operational transconductance amplifier. A transconductance amplifier converts an input voltage into an output current. Applications include variable frequency oscillators, variable gain amplifiers and current-controlled filters. These applications exploit the fact that the transconductance gain is a function of current flowing into the control current pin.

To support faster simulation, the behavioral representation does not model the detailed transistor implementation. Therefore, the model is only valid when operating in the linear region, that is, where the device input resistance, output resistance, and transconductance gain all depend linearly on the control current, and are independent of input signal amplitude. The dynamics are approximated by a first-order lag, based on the value you specify for the block parameter **Bandwidth**.

Control Current

The control current pin C is maintained at the voltage that you specify for the **Minimum output voltage**. In practice, the **Minimum output voltage** equals the negative supply voltage plus the transistor collector-emitter voltage drop. For example, if the **Minimum output voltage** for a supply voltage of +15V is -14.5, then to achieve a control current of 500 μ A, a resistor connected between the +15V rail and the control current pin must have a value of $(15 - (-14.5)) / 500\text{e-}6 = 59\text{k}\Omega$.

Transconductance

The relationship between input voltage, v , and transconductance current, i_{gm} , is:

$$v = v_+ - v_-$$

$$i_{gm} = g_m \cdot v$$

$$g_m = \frac{g_{m0} \cdot i_c}{i_{c0}}$$

where:

- v_+ is the voltage presented at the block + pin.
- v_- is the voltage presented at the block - pin.
- g_m is the transconductance.
- i_c is the control current flowing into the control current pin C.
- i_{c0} is the reference control current, that is, the control current at which transconductance is quoted on the datasheet.

- g_{m0} is the transconductance measured at the reference control current i_{c0} .

Therefore, increasing control current increases the transconductance.

Output Resistance and Determining Output Current

The output resistance, R_{out} , is defined by:

$$i_{gm} + i_o = \frac{v_o}{R_{out}}$$

$$R_{out} = \frac{R_{out0} \cdot i_{c0}}{i_c}$$

where:

- i_{gm} is the transconductance current.
- i_o is the output current, defined as positive if flowing into the transconductance amplifier output pin.
- i_c is the control current flowing into the control current pin C.
- i_{c0} is the reference control current, that is, the control current at which output resistance is quoted on the datasheet.
- R_{out0} is the output resistance measured at the reference control current i_{c0} .

Therefore, increasing control current reduces output resistance.

Input Resistance

The relationship between input voltage, v , across the + and - pins and the current flowing, i , is:

$$\frac{v}{i} = R_{in}$$

$$R_{in} = \frac{R_{in0} \cdot i_{c0}}{i_c}$$

where:

- i_c is the control current flowing into the control current pin C.
- R_{in} is the input resistance for the current control current value, i_c .
- i_{c0} is the reference control current, that is, the control current at which input resistance is quoted on the datasheet.
- R_{in0} is the input resistance measured at the reference control current i_{c0} .

Therefore, increasing control current reduces input resistance.

Limits

Because of the physical construction of an operational transconductance amplifier based on current mirrors, the transconductance current i_{gm} cannot exceed the control current. Hence the value of i_{gm} is limited by:

$$-i_c \leq i_{gm} \leq i_c \quad (1-32)$$

The output voltage is also limited by the supply voltage:

$$V_{\min} \leq v_o \leq V_{\max} \quad (1-33)$$

where V_{\min} is the **Minimum output voltage**, and V_{\max} is the **Maximum output voltage**. Output voltage limiting is implemented by adding a low resistance to the output when the voltage limit is exceeded. The value of this resistance is set by the **Additional output resistance at voltage swing limits** parameter.

The transconductance current is also slew-rate limited, a value for slew rate limiting typically being given on datasheets:

$$-\mu \leq \frac{di_{gm}}{dt} \leq \mu$$

where μ is the **Maximum current slew rate**.

Ports

Conserving

+ – Non-inverting input

electrical

Electrical conserving port associated with the op-amp non-inverting input.

- – Negative voltage

electrical

Electrical conserving port associated with the op-amp inverting input.

C – Control current

electrical

Electrical conserving port associated with the op-amp control current.

OUT – Output current

electrical

Electrical conserving port associated with the op-amp output. The port name is hidden on the block icon, but you can see it in simulation data logs.

Parameters

Nominal Measurements

Transconductance – Transconductance

9600 uS (default)

The transconductance, g_m , when the control current is equal to the **Reference control current**. This is the ratio of the transconductance current, i_{gm} , to the voltage difference, v , across the + and - pins.

Input resistance – Input resistance

25 kOhm (default)

The input resistance, R_{in} , when the control current is equal to the **Reference control current**. The input resistance is the ratio of the voltage difference, v , across the + and - pins to the current flowing from the + to the - pin.

Output resistance — Output resistance

3 MOhm (default)

The output resistance, R_{out} , when the control current is equal to the **Reference control current**. See above for the equation defining output resistance.

Reference control current — Reference control current

500 μ A (default)

The control current at which the **Transconductance**, **Input resistance**, and **Output resistance** are quoted.

Dynamics

Dynamics — Dynamics

No lag (default) | Finite bandwidth with slew rate limiting

Select one of the following options:

- **No lag** — Do not model the dynamics of the relationship between output current and input voltage. This is the default.
- **Finite bandwidth with slew rate limiting** — Model the dynamics of the relationship between output current and input voltage using a first-order lag. If you select this option, the **Bandwidth**, **Maximum current slew rate**, and **Initial current** parameters appear on the **Dynamics** tab.

Bandwidth — Bandwidth of the first-order lag

2 MHz (default)

The bandwidth of the first-order lag used to model the dynamics of the relationship between output current and input voltage.

Dependencies

This parameter is visible only when the **Dynamics** parameter is set to **Finite bandwidth with slew rate limiting**.

Maximum current slew rate — Maximum rate-of-charge of transconductance current

2 A/ μ s (default)

The maximum rate-of-change of transconductance current when there is no feedback around the device. Note that datasheets sometimes quote slew rate as a maximum rate of change of voltage. In this case, the value depends on the particular test circuit. To get an accurate value for **Maximum current slew rate**, reproduce the test circuit in a Simscape Electrical model, and tune the parameter value to match the datasheet value. If the test circuit is open-loop, and the load resistance is quoted, you can obtain an approximate value for the **Maximum current slew rate** by dividing the voltage slew rate by the load resistance.

Dependencies

This parameter is visible only when the **Dynamics** parameter is set to **Finite bandwidth with slew rate limiting**.

Initial current – Initial transconductance current

0 A (default)

The initial transconductance current (note, not the initial output current). This is the transconductance current sinking to both the internal output resistance, R_{out} , and the output pin.

Dependencies

This parameter is visible only when the **Dynamics** parameter is set to Finite bandwidth with slew rate limiting.

Limits**Minimum output voltage – Minimum output voltage**

-15 V (default)

The output voltage is limited to be greater than the value of this parameter.

Maximum output voltage – Maximum output voltage

15 V (default)

The output voltage is limited to be less than the value of this parameter.

Additional output resistance at voltage swing limits – Additional output resistance at voltage swing limits

1 Ohm (default)

To limit the output voltage swing, an additional output resistance is applied between output and the power rail when the output voltage exceeds the limit. The value of this resistance should be low compared to the output resistance and circuit load resistance.

Minimum control current for simulation – Minimum control current for simulation

0.001 μ A (default)

The control current measured at the control current pin C is limited to be greater than the value of this parameter. This prevents a potential divide-by-zero when calculating input and output resistance values based on the value of the control current.

Extended Capabilities**C/C++ Code Generation**

Generate C and C++ code using Simulink® Coder™.

See Also

Band-Limited Op-Amp | Finite-Gain Op-Amp | Op-Amp

Introduced in R2011b

Optocoupler

Behavioral model of optocoupler as LED, current sensor, and controlled current source

Library: Simscape / Electrical / Semiconductors & Converters



Description

This block represents an optocoupler using a model that consists of the following components:

- An exponential light-emitting diode in series with a current sensor on the input side
- A controlled current source on the output side

The output-side current flows from the collector junction to the emitter junction. It has a value of $CTR \cdot I_d$, where CTR is the **Current transfer ratio** parameter value and I_d is the diode current.

Use the Optocoupler block to interface two electrical circuits without making a direct electrical connection. A common reason for doing this is that the two circuits work at very different voltage levels.

Note Each electrical circuit must have its own Electrical Reference block.

If the output circuit is a phototransistor, typical values for the **Current transfer ratio** parameter are 0.1 to 0.5. If the output stage consists of a Darlington pair, the parameter value can be much higher than this. The **Current transfer ratio** value also varies with the light-emitting diode current, but this effect is not modeled by the Photodiode block.

Some manufacturers provide a maximum data rate for optocouplers. In practice, the maximum data rate depends on the following factors:

- The capacitance of the photodiode and the type of the driving circuit
- The construction of the phototransistor and its associated capacitance

The Optocoupler block only lets you define the capacitance on the light-emitting diode. You can use the **Junction capacitance** parameter to add your own capacitance across the collector and emitter connections.

The Optocoupler block lets you model temperature dependence of the underlying diode. For details, see the Diode reference page.

Thermal Port

The block has an optional thermal port, hidden by default. To expose the thermal port, right-click the block in your model, and then from the context menu select **Simscape > Block choices > Show thermal port**. This action displays the thermal port **H** on the block icon, and exposes the **Thermal Port** parameters.

Use the thermal port to simulate the effects of generated heat and device temperature. For more information on using thermal ports and on the **Thermal Port** parameters, see “Simulating Thermal Effects in Semiconductors”.

Variables

Use the **Variables** section of the block interface to set the priority and initial target values for the block variables prior to simulation. For more information, see “Set Priority and Initial Target for Block Variables”.

Assumptions and Limitations

- The output side is modeled as a controlled current source. As such, it only correctly approximates a bipolar transistor operating in its normal active region. To create a more detailed model, connect the Optocoupler output directly to the base of an NPN Bipolar Transistor block, and set the parameters to maintain a correct overall value for the current transfer ratio. If you need to connect optocouplers in series, use this approach to avoid the invalid topology of two current sources in series.
- The temperature dependence of the forward current transfer ratio is not modeled. Typically the temperature dependence of this parameter is much less than that of the optical diode I-V characteristic.
- You may need to use nonzero ohmic resistance and junction capacitance values to prevent numerical simulation issues, but the simulation may run faster with these values set to zero.

Ports

Conserving

+ – Positive terminal

electrical

Electrical conserving port associated with the diode positive terminal

- – Negative terminal

electrical

Electrical conserving port associated with the diode negative terminal

C – Transistor collector terminal

electrical

Electrical conserving port associated with the transistor collector terminal

E – Transistor emitter terminal

electrical

Electrical conserving port associated with the transistor emitter terminal

Parameters

Main

Current transfer ratio — Current transfer ratio

0.2 (default)

The output current flowing from the transistor collector to emitter junctions is equal to the product of the current transfer ratio and the current flowing in the light-emitting diode.

Diode parameterization — Model parameterization

Use I-V curve data points (default) | Use parameters I_S and N

Select one of the following methods for model parameterization:

- Use I-V curve data points — Specify measured data at two points on the diode I-V curve.
- Use parameters I_S and N — Specify saturation current and emission coefficient.

Currents [I_1 I_2] — Vector of current values at two points

[.001, .015] A (default)

A vector of the current values at the two points on the diode I-V curve that the block uses to calculate I_S and N .

Dependencies

This parameter is visible only when you select Use I-V curve data points for the **Diode parameterization** parameter.

Voltages [V_1 V_2] — Vector of voltage values at two points

[.9, 1.05] V (default)

A vector of the voltage values at the two points on the diode I-V curve that the block uses to calculate I_S and N .

Dependencies

This parameter is visible only when you select Use I-V curve data points for the **Diode parameterization** parameter.

Ohmic resistance, R_S — Ohmic resistance

0.1 Ohm (default)

The series diode connection resistance.

Saturation current, I_S — Saturation current

1e-10 A (default)

The magnitude of the current that the ideal diode equation approaches asymptotically for very large reverse bias levels.

Dependencies

This parameter is visible only when you select Use parameters I_S and N for the **Diode parameterization** parameter.

Measurement temperature — Measurement temperature

25 °C (default)

The temperature at which IS or the I-V curve was measured. The default value is 25 °C.

Emission coefficient, N — Diode emission coefficient

2 (default)

The diode emission coefficient or ideality factor.

Dependencies

This parameter is visible only when you select Use parameters IS and N for the **Diode parameterization** parameter.

Junction Capacitance**Capacitance — Modeling diode junction capacitance**

Fixed or zero junction capacitance (default) | Use C-V curve data points | Use parameters CJ0, VJ, M & FC

Select one of the following options for modeling the diode junction capacitance:

- Fixed or zero junction capacitance — Model the junction capacitance as a fixed value.
- Use C-V curve data points — Specify measured data at three points on the diode C-V curve.
- Use parameters CJ0, VJ, M & FC — Specify zero-bias junction capacitance, junction potential, grading coefficient, and forward-bias depletion capacitance coefficient.

Junction capacitance — Diode junction capacitance

5 pF (default)

Fixed junction capacitance value.

Dependencies

This parameter is visible only when you select Fixed or zero junction capacitance for the **Capacitance** parameter.

Zero-bias junction capacitance, CJ0 — Zero-bias junction capacitance

5 pF (default)

The value of the capacitance placed in parallel with the exponential diode term.

Dependencies

This parameter is visible only when you select Use parameters CJ0, VJ, M & FC for the **Capacitance** parameter.

Junction potential, VJ — Junction potential

1 V (default)

The junction potential.

Dependencies

This parameter is visible only when you select Use parameters CJ0, VJ, M & FC for the **Capacitance** parameter.

Grading coefficient, M — Grading coefficient

0.5 (default)

The coefficient that quantifies the grading of the junction.

Dependencies

This parameter is visible only when you select Use parameters C_{J0} , V_J , M & FC for the **Capacitance** parameter.

Reverse bias voltages [VR1 VR2 VR3] — Vector of reverse bias voltages

[.1, 10, 100] V (default)

A vector of the reverse bias voltage values at the three points on the diode C-V curve that the block uses to calculate C_{J0} , V_J , and M .

Dependencies

This parameter is visible only when you select Use C-V curve data points for the **Capacitance** parameter.

Corresponding capacitances [C1 C2 C3] — Vector of corresponding capacitances

[3.5, 1, .4] pF (default)

A vector of the capacitance values at the three points on the diode C-V curve that the block uses to calculate C_{J0} , V_J , and M .

Dependencies

This parameter is visible only when you select Use C-V curve data points for the **Capacitance** parameter.

Capacitance coefficient, FC — Fitting capacitance coefficient

0.5 (default)

Fitting coefficient that quantifies the decrease of the depletion capacitance with applied voltage.

Dependencies

This parameter is visible only when you select Use C-V curve data points or Use parameters C_{J0} , V_J , M & FC for the **Capacitance** parameter.

Temperature Dependence**Parameterization — Temperature dependence parameterization**

None — Simulate at parameter measurement temperature (default) | Use an I-V data point at second measurement temperature T_2 | Specify saturation current at second measurement temperature T_2 | Specify the energy gap EG

Select one of the following methods for temperature dependence parameterization:

- None — Simulate at parameter measurement temperature — Temperature dependence is not modeled, or the model is simulated at the measurement temperature T_{m1} (as specified by the **Measurement temperature** parameter on the **Main** tab). This is the default method.
- Use an I-V data point at second measurement temperature T_2 — If you select this option, you specify a second measurement temperature T_{m2} , and the current and voltage values at

this temperature. The model uses these values, along with the parameter values at the first measurement temperature T_{m1} , to calculate the energy gap value.

- Specify saturation current at second measurement temperature T2 — If you select this option, you specify a second measurement temperature T_{m2} , and saturation current value at this temperature. The model uses these values, along with the parameter values at the first measurement temperature T_{m1} , to calculate the energy gap value.
- Specify the energy gap EG — Specify the energy gap value directly.

Current I1 at second measurement temperature — Current I1 at second measurement temperature

0.029 A (default)

Specify the diode current $I1$ value when the voltage is $V1$ at the second measurement temperature.

Dependencies

This parameter is visible only when you select Use an I-V data point at second measurement temperature T2 for the **Parameterization** parameter.

Voltage V1 at second measurement temperature — Voltage V1 at second measurement temperature

1.05 V (default)

Specify the diode voltage $V1$ value when the current is $I1$ at the second measurement temperature.

Dependencies

This parameter is visible only when you select Use an I-V data point at second measurement temperature T2 for the **Parameterization** parameter.

Saturation current, IS, at second measurement temperature — Saturation current, IS, at second measurement temperature

1.8e-8 A (default)

Specify the saturation current IS value at the second measurement temperature.

Dependencies

This parameter is visible only when you select Specify saturation current at second measurement temperature T2 for the **Parameterization** parameter.

Second measurement temperature — Second measurement temperature

125 °C (default)

Specify the value for the second measurement temperature.

Dependencies

This parameter is visible only when you select Use an I-V data point at second measurement temperature T2 or Specify saturation current at second measurement temperature T2 for the **Parameterization** parameter.

Energy gap parameterization — Energy gap parameterization

Use nominal value for silicon (EG=1.11eV) (default) | Use nominal value for 4H-SiC silicon carbide (EG=3.23eV) | Use nominal value for 6H-SiC silicon carbide (EG=3.00eV) | Use nominal value for germanium (EG=0.67eV) | Use nominal value

for gallium arsenide (EG=1.43eV) | Use nominal value for selenium (EG=1.74eV) | Use nominal value for Schottky barrier diodes (EG=0.69eV) | Specify a custom value

Select a value for the energy gap from a list of predetermined options, or specify a custom value:

- Use nominal value for silicon (EG=1.11eV) — This is the default.
- Use nominal value for 4H-SiC silicon carbide (EG=3.23eV)
- Use nominal value for 6H-SiC silicon carbide (EG=3.00eV)
- Use nominal value for germanium (EG=0.67eV)
- Use nominal value for gallium arsenide (EG=1.43eV)
- Use nominal value for selenium (EG=1.74eV)
- Use nominal value for Schottky barrier diodes (EG=0.69eV)
- Specify a custom value — If you select this option, the **Energy gap, EG** parameter appears in the dialog box, to let you specify a custom value for *EG*.

Dependencies

This parameter is visible only when you select Specify the energy gap *EG* for the **Parameterization** parameter.

Energy gap, EG — Energy gap

1.11 eV (default)

Specify a custom value for the energy gap, *EG*.

Dependencies

This parameter is visible only when you select Specify a custom value for the **Energy gap parameterization** parameter.

Saturation current temperature exponent parameterization — Saturation current temperature exponent parameterization

Use nominal value for pn-junction diode (XTI=3) (default) | Use nominal value for Schottky barrier diode (XTI=2) | Specify a custom value

Select one of the following options to specify the saturation current temperature exponent value:

- Use nominal value for pn-junction diode (XTI=3) — This is the default.
- Use nominal value for Schottky barrier diode (XTI=2)
- Specify a custom value — If you select this option, the **Saturation current temperature exponent, XTI** parameter appears in the dialog box, to let you specify a custom value for *XTI*.

Saturation current temperature exponent, XTI — Saturation current temperature exponent

3 (default)

Specify a custom value for the saturation current temperature exponent, *XTI*.

Dependencies

This parameter is visible only when you select Specify a custom value for the **Saturation current temperature exponent parameterization** parameter.

Device simulation temperature – Device simulation temperature

25 °C (default)

Specify the value for the temperature T_s , at which the device is to be simulated.

References

- [1] G. Massobrio and P. Antognetti. *Semiconductor Device Modeling with SPICE*. 2nd Edition, McGraw-Hill, 1993.
- [2] H. Ahmed and P.J. Spreadbury. *Analogue and digital electronics for engineers*. 2nd Edition, Cambridge University Press, 1984.

Extended Capabilities**C/C++ Code Generation**

Generate C and C++ code using Simulink® Coder™.

See Also

Controlled Current Source | Diode | NPN Bipolar Transistor

Introduced in R2008a

P-Channel JFET

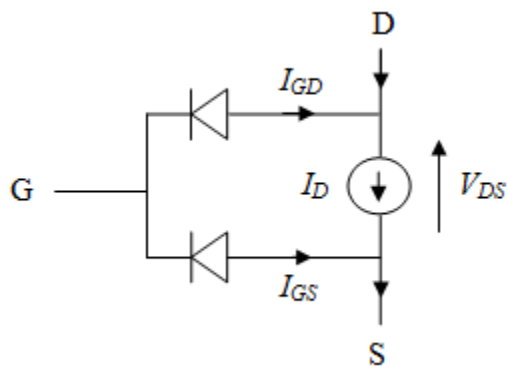
P-Channel junction field-effect transistor

Library: Simscape / Electrical / Semiconductors & Converters



Description

The P-Channel JFET block uses the Shichman and Hodges equations to represent a P-Channel JFET using a model with the following structure:



G is the transistor gate, D is the transistor drain and S is the transistor source. The drain current, I_D , depends on the region of operation and whether the transistor is operating in normal or inverse mode.

- In normal mode ($-V_{DS} \geq 0$), the block provides the following relationship between the drain current I_D and the drain-source voltage V_{DS} .

Region	Applicable Range of V_{GS} and V_{DS} Values	Corresponding I_D Equation
Off	$-V_{GS} \leq -V_{t0}$	$I_D = 0$
Linear	$0 < -V_{DS} < -V_{GS} + V_{t0}$	$I_D = \beta V_{DS}(2(-V_{GS} + V_{t0}) + V_{DS})(1 - \lambda V_{DS})$
Saturated	$0 < -V_{GS} + V_{t0} \leq -V_{DS}$	$I_D = -\beta (-V_{GS} + V_{t0})^2 (1 - \lambda V_{DS})$

- In inverse mode ($-V_{DS} < 0$), the block provides the following relationship between the drain current I_D and the drain-source voltage V_{DS} .

Region	Applicable Range of V_{GS} and V_{DS} Values	Corresponding I_D Equation
Off	$-V_{GD} \leq -V_{t0}$	$I_D = 0$

Region	Applicable Range of V_{GS} and V_{DS} Values	Corresponding I_D Equation
Linear	$0 < V_{DS} < -V_{GD} + V_{t0}$	$I_D = \beta V_{DS}(2(-V_{GD} + V_{t0}) - V_{DS})(1 + \lambda V_{DS})$
Saturated	$0 < -V_{GD} + V_{t0} \leq V_{DS}$	$I_D = \beta (-V_{GD} + V_{t0})^2 (1 + \lambda V_{DS})$

In the preceding equations:

- V_{GS} is the gate-source voltage.
- V_{GD} is the gate-drain voltage.
- V_{t0} is the threshold voltage. If you select **Specify using equation parameters directly** for the **Parameterization** parameter, V_{t0} is the **Threshold voltage** parameter value. Otherwise, the block calculates V_{t0} from the datasheet parameters you specify.
- β is the transconductance parameter. If you select **Specify using equation parameters directly** for the **Parameterization** parameter, β is the **Transconductance parameter** parameter value. Otherwise, the block calculates β from the datasheet parameters you specify.
- λ is the channel-length modulation parameter. If you select **Specify using equation parameters directly** for the **Parameterization** parameter, λ is the **Channel-length modulation** parameter value. Otherwise, the block calculates λ from the datasheet parameters you specify.

The currents in each of the diodes satisfy the exponential diode equation

$$I_{GD} = -IS \cdot \left(e^{-qV_{GD}/kT_{m1}} - 1 \right)$$

$$I_{GS} = -IS \cdot \left(e^{-qV_{GS}/kT_{m1}} - 1 \right)$$

where:

- IS is the saturation current. If you select **Specify using equation parameters directly** for the **Parameterization** parameter, IS is the **Saturation current** parameter value. Otherwise, the block calculates IS from the datasheet parameters you specify.
- q is the elementary charge on an electron (1.602176e-19 Coulombs).
- k is the Boltzmann constant (1.3806503e-23 J/K).
- T_{m1} is the measurement temperature. The value comes from the **Measurement temperature** parameter.

The block models gate junction capacitance as a fixed gate-drain capacitance C_{GD} and a fixed gate-source capacitance C_{GS} . If you select **Specify using equation parameters directly** for the **Parameterization** parameter, you specify these values directly using the **Gate-drain junction capacitance** and **Gate-source junction capacitance** parameters. Otherwise, the block derives them from the **Input capacitance Ciss** and **Reverse transfer capacitance Crss** parameter values. The two parameterizations are related as follows:

- $C_{GD} = Crss$
- $C_{GS} = Ciss - Crss$

Modeling Temperature Dependence

The default behavior is that dependence on temperature is not modeled, and the device is simulated at the temperature for which you provide block parameters. You can optionally include modeling the

dependence of the transistor static behavior on temperature during simulation. Temperature dependence of the junction capacitances is not modeled, this being a much smaller effect.

When including temperature dependence, the transistor defining equations remain the same. The measurement temperature value, T_{m1} , is replaced with the simulation temperature, T_s . The transconductance, β , and the threshold voltage, V_{t0} , become a function of temperature according to the following equations:

$$\beta_{T_s} = \beta_{T_{m1}} \left(\frac{T_s}{T_{m1}} \right)^{BEX}$$

$$V_{t0s} = V_{t01} + \alpha (T_s - T_{m1})$$

where:

- T_{m1} is the temperature at which the transistor parameters are specified, as defined by the **Measurement temperature** parameter value.
- T_s is the simulation temperature.
- $\beta_{T_{m1}}$ is JFET transconductance at the measurement temperature.
- β_{T_s} is JFET transconductance at the simulation temperature. This is the transconductance value used in the JFET equations when temperature dependence is modeled.
- V_{t01} is the threshold voltage at measurement temperature.
- V_{t0s} is the threshold voltage at simulation temperature. This is the threshold voltage value used in the JFET equations when temperature dependence is modeled.
- BEX is the mobility temperature exponent. A typical value of BEX is -1.5.
- α is the gate threshold voltage temperature coefficient, dV_{th}/dT .

For most JFETS, you can use the default value of -1.5 for BEX . Some datasheets quote the value for α , but most typically they provide the temperature dependence for the saturated drain current, I_{dss} . Depending on the block parameterization method, you have two ways of specifying α :

- If you parameterize the block from a datasheet, you have to provide I_{dss} at a second measurement temperature. The block then calculates the value for α based on this data.
- If you parameterize by specifying equation parameters, you have to provide the value for α directly.

If you have more data comprising drain current as a function of gate-source voltage for fixed drain-source voltage plotted at more than one temperature, then you can also use Simulink Design Optimization software to help tune the values for α and BEX .

In addition, the saturation current term, IS , in the gate-drain and gate-source current equations depends on temperature

$$IS_{T_s} = IS_{T_{m1}} \cdot (T_s/T_{m1})^{XTI} \cdot \exp\left(-\frac{EG}{kT_s}(1 - T_s/T_{m1})\right)$$

where:

- $IS_{T_{m1}}$ is the saturation current at the measurement temperature.
- IS_{T_s} is the saturation current at the simulation temperature. This is the saturation current value used in the gate diode equations when temperature dependence is modeled..

- EG is the energy gap.
- k is the Boltzmann constant ($1.3806503e-23$ J/K).
- XTI is the saturation current temperature exponent.

Similar to α , you have two ways of specifying EG and XTI :

- If you parameterize the block from a datasheet, you have to specify the gate reverse current, I_{gss} , at a second measurement temperature. The block then calculates the value for EG based on this data and assuming a p-n junction nominal value of 3 for XTI .
- If you parameterize by specifying equation parameters, you have to provide the values for EG and XTI directly. This option gives you most flexibility to match device behavior, for example, if you have a graph of I_{gss} as a function of temperature. With this data you can use Simulink Design Optimization software to help tune the values for EG and XTI .

Thermal Port

The block has an optional thermal port, hidden by default. To expose the thermal port, right-click the block in your model, and then from the context menu select **Simscape > Block choices > Show thermal port**. This action displays the thermal port **H** on the block icon, and exposes the **Thermal Port** parameters.

Use the thermal port to simulate the effects of generated heat and device temperature. For more information on using thermal ports and on the **Thermal Port** parameters, see “Simulating Thermal Effects in Semiconductors”.

Assumptions and Limitations

- This block does not allow you to specify initial conditions on the junction capacitances. If you select the **Start simulation from steady state** option in the Solver Configuration block, the block solves the initial voltages to be consistent with the calculated steady state. Otherwise, voltages are zero at the start of the simulation.
- You may need to use nonzero ohmic resistance and junction capacitance values to prevent numerical simulation issues, but the simulation may run faster with these values set to zero.
- The block does not account for temperature-dependent effects on the junction capacitances.
- When you specify I_{dss} at a second measurement temperature, it must be quoted for the same working point (that is, the same drain current and gate-source voltage) as for the I_{dss} value on the **Main** tab. Inconsistent values for I_{dss} at the higher temperature will result in unphysical values for α and unrepresentative simulation results.
- You may need to tune the value of BEX to replicate the I_D - V_{GS} relationship (if available) for a given device. The value of BEX affects whether the I_D - V_{GS} curves for different temperatures cross each other, or not, for the ranges of I_D and V_{GS} considered.

Ports

Conserving

G — Gate terminal

electrical

Electrical conserving port associated with the transistor gate terminal

D – Drain terminal

electrical

Electrical conserving port associated with the transistor drain terminal

S – Source terminal

electrical

Electrical conserving port associated with the transistor source terminal

Parameters**Main****Parameterization – Block parameterization**

Specify from a datasheet (default) | Specify using equation parameters directly

Select one of the following methods for block parameterization:

- Specify from a datasheet — Provide parameters that the block converts to equations that describe the transistor. This is the default method.
- Specify using equation parameters directly — Provide equation parameters β , I_S , V_{t0} , and λ .

Gate reverse current, I_{gss} – Gate reverse current

5 nA (default)

The reverse current that flows in the diode when the drain and source are short-circuited and a large positive gate-source voltage is applied.

Dependencies

This parameter is visible only when you select Specify from a datasheet for the **Parameterization** parameter.

Saturated drain current, I_{dss} – Saturated drain current

-3 mA (default)

The current that flows when a large negative drain-source voltage is applied for a specified gate-source voltage. For a depletion-mode device, this gate-source voltage may be zero, in which case I_{dss} may be referred to as the zero-gate voltage drain current.

Dependencies

This parameter is visible only when you select Specify from a datasheet for the **Parameterization** parameter.

 I_{dss} measurement point, [V_{gs} V_{ds}] – I_{dss} measurement point

[0 -15] V (default)

A vector of the values of V_{GS} and V_{DS} at which I_{dss} is measured. Normally V_{GS} is zero. V_{DS} should be less than zero.

Dependencies

This parameter is visible only when you select Specify from a datasheet for the **Parameterization** parameter.

Small-signal parameters, [g_fs g_os] – Small-signal parameters

[2.5e+3 75] uS (default)

A vector of the values of g_{fs} and g_{os} . g_{fs} is the forward transfer conductance, that is, the conductance for a fixed drain-source voltage. g_{os} is the output conductance, that is, the conductance for a fixed gate-source voltage.

Dependencies

This parameter is visible only when you select Specify from a datasheet for the **Parameterization** parameter.

Small-signal measurement point [V_gs V_ds] – Small-signal measurement point

[0 -15] V (default)

A vector of the values of V_{GS} and V_{DS} at which g_{fs} and g_{os} are measured. V_{DS} should be less than zero. For depletion-mode devices, V_{GS} is typically zero.

Dependencies

This parameter is visible only when you select Specify from a datasheet for the **Parameterization** parameter.

Transconductance parameter – Transconductance parameter

1e-04 A/V² (default)

The derivative of drain current with respect to gate voltage.

Dependencies

This parameter is visible only when you select Specify using equation parameters directly for the **Parameterization** parameter.

Saturation current – Saturation current

1e-14 A (default)

The magnitude of the current that the ideal diode equation approaches asymptotically for very large reverse bias levels.

Dependencies

This parameter is visible only when you select Specify using equation parameters directly for the **Parameterization** parameter.

Threshold voltage – Threshold voltage

2 V (default)

The gate-source voltage above which the transistor produces a nonzero drain current. For an enhancement device, V_{t0} should be negative. For a depletion mode device, V_{t0} should be positive.

Dependencies

This parameter is visible only when you select Specify using equation parameters directly for the **Parameterization** parameter.

Channel-length modulation — Channel-length modulation

0 1/V (default)

The channel-length modulation.

Dependencies

This parameter is visible only when you select Specify using equation parameters directly for the **Parameterization** parameter.

Measurement temperature — Measurement temperature

25 degC (default)

The temperature for which the datasheet parameters are quoted.

Ohmic Resistance**Source ohmic resistance — Source ohmic resistance**

0.0001 Ohm (default) | nonnegative scalar

The transistor source resistance.

Drain ohmic resistance — Drain ohmic resistance

0.01 Ohm (default) | nonnegative scalar

The transistor drain resistance.

Junction Capacitance**Parameterization — Junction capacitance parameterization**

Specify from a datasheet (default) | Specify using equation parameters directly

Select one of the following methods for block parameterization:

- Specify from a datasheet — Provide parameters that the block converts to junction capacitance values. This is the default method.
- Specify using equation parameters directly — Provide junction capacitance parameters directly.

Input capacitance, Ciss — Input capacitance

5 pF (default)

The gate-source capacitance with the drain shorted to the source.

Dependencies

This parameter is visible only when you select Specify from a datasheet for the **Parameterization** parameter in the **Junction Capacitance** tab.

Reverse transfer capacitance, Crss — Reverse transfer capacitance

1 pF (default)

The drain-gate capacitance with the source connected to ground.

Dependencies

This parameter is visible only when you select **Specify** from a datasheet for the **Parameterization** parameter in the **Junction Capacitance** tab.

Gate-source junction capacitance — Gate-source junction capacitance

4 pF (default)

The value of the capacitance placed between the gate and the source.

Dependencies

This parameter is visible only when you select **Specify** using equation parameters directly for the **Parameterization** parameter in the **Junction Capacitance** tab.

Gate-drain junction capacitance — Gate-drain junction capacitance

1 pF (default)

The value of the capacitance placed between the gate and the drain.

Dependencies

This parameter is visible only when you select **Specify** using equation parameters directly for the **Parameterization** parameter in the **Junction Capacitance** tab.

Temperature Dependence**Parameterization — Temperature dependence parameterization**

None — Simulate at parameter measurement temperature (default) | Model temperature dependence

Select one of the following methods for temperature dependence parameterization:

- **None — Simulate at parameter measurement temperature** — Temperature dependence is not modeled. This is the default method.
- **Model temperature dependence** — Model temperature-dependent effects. You also have to provide a set of additional parameters depending on the block parameterization method. If you parameterize the block from a datasheet, you have to provide values for I_{gss} and I_{dss} at second measurement temperature. If you parameterize by directly specifying equation parameters, you have to provide the values for EG , XTI , and the gate threshold voltage temperature coefficient, dV_{to}/dT . Regardless of the block parameterization method, you also have to provide values for BEX and for the simulation temperature, T_s .

Gate reverse current, I_{gss} , at second measurement temperature — Gate reverse current, I_{gss} , at second measurement temperature

950 nA (default)

The value of the gate reverse current, I_{gss} , at the second measurement temperature and when the I_{gss} measurement point is the same as defined by the **Gate reverse current, I_{gss}** parameter on the **Main** tab.

Dependencies

This parameter is visible only when you select **Specify** from a datasheet for the **Parameterization** parameter on the **Main** tab.

Saturated drain current, I_{dss} , at second measurement temperature – Saturated drain current, I_{dss} , at second measurement temperature

-2.3 mA (default)

The value of the saturated drain current, I_{dss} , at the second measurement temperature, and when the I_{dss} measurement point is the same as defined by the **I_{dss} measurement point, [V_{gs} V_{ds}]** parameter on the **Main** tab.

Dependencies

This parameter is visible only when you select Specify from a datasheet for the **Parameterization** parameter on the **Main** tab.

Second measurement temperature – Second measurement temperature

125 degC (default)

Second temperature T_{m2} at which **Gate reverse current, I_{gss} , at second measurement temperature** and **Saturated drain current, I_{dss} , at second measurement temperature** are measured.

Dependencies

This parameter is visible only when you select Specify from a datasheet for the **Parameterization** parameter on the **Main** tab.

Energy gap, EG – Energy gap

1.11 eV (default)

Energy gap value.

Dependencies

This parameter is visible only when you select Specify using equation parameters directly for the **Parameterization** parameter on the **Main** tab.

Saturation current temperature exponent, XTI – Saturation current temperature exponent

3 (default)

Saturation current temperature coefficient value.

Dependencies

This parameter is visible only when you select Specify using equation parameters directly for the **Parameterization** parameter on the **Main** tab.

Gate threshold voltage temperature coefficient, dV_{t0}/dT – Gate threshold voltage temperature coefficient

1 mV/K (default)

The rate of change of gate threshold voltage with temperature.

Dependencies

This parameter is visible only when you select Specify using equation parameters directly for the **Parameterization** parameter on the **Main** tab.

Mobility temperature exponent, BEX — Mobility temperature exponent

-1.5 (default)

Mobility temperature coefficient value. You can use the default value for most JFETs. See the “Assumptions and Limitations” on page 1-1000 section for additional considerations.

Device simulation temperature — Device simulation temperature

25 degC (default)

Temperature T_s at which the device is simulated.

Compatibility Considerations

Thermal network simlog paths

Behavior changed in R2019b

From R2019b forward, it is possible to model the thermal network of this block either internally or externally.

As a result, the simlog paths corresponding to the thermal network have changed. If you have a script that programmatically access the simlog, you have to manually update it to reflect these changes.

References

- [1] H. Shichman and D. A. Hodges, *Modeling and simulation of insulated-gate field-effect transistor switching circuits*. IEEE J. Solid State Circuits, SC-3, 1968.
- [2] G. Massobrio and P. Antognetti. *Semiconductor Device Modeling with SPICE*. 2nd Edition, McGraw-Hill, 1993. Chapter 2.

Extended Capabilities

C/C++ Code Generation

Generate C and C++ code using Simulink® Coder™.

See Also

N-Channel JFET

Introduced in R2008a

P-Channel LDMOS FET

P-Channel laterally diffused metal oxide semiconductor or vertically diffused metal oxide semiconductor transistors suitable for high voltage

Library: Simscape / Electrical / Semiconductors & Converters



Description

The P-Channel LDMOS FET block lets you model LDMOS (or VDMOS) transistors suitable for high voltage. The model is based on surface potential and includes effects due to an extended drain (drift) region:

- Nonlinear capacitive effects associated with the drift region
- Surface scattering and velocity saturation in the drift region
- Velocity saturation and channel-length modulation in the channel region
- Charge conservation inside the model, so you can use the model for charge sensitive simulations
- The intrinsic body diode
- Reverse recovery in the body diode model
- Temperature scaling of physical parameters
- For the thermal variant (see “Thermal Port” on page 1-1008), dynamic self-heating

For information on physical background and defining equations, see the N-Channel LDMOS FET block reference page. Both the p-type and n-type versions of the LDMOS model use the same underlying code with appropriate voltage transformations, to account for the different device types.

The charge model is similar to that of the surface-potential-based MOSFET model, with additional expressions to account for the charge in the drift region. The block uses the derived equations as described in [1], which include both inversion and accumulation in the drift region.

Modeling Body Diode

The block models the body diode as an ideal, exponential diode with both junction and diffusion capacitances:

$$I_{dio} = I_s \left[\exp\left(-\frac{V_{BD}}{n\phi_T}\right) - 1 \right]$$

$$C_j = \frac{C_{j0}}{\sqrt{1 + \frac{V_{BD}}{V_{bi}}}}$$

$$C_{diff} = \frac{\tau I_s}{n\phi_T} \exp\left(-\frac{V_{BD}}{n\phi_T}\right)$$

where:

- I_{dio} is the current through the diode.
- I_s is the reverse saturation current.
- V_{BD} is the body-drain voltage.
- n is the ideality factor.
- ϕ_T is the thermal voltage.
- C_j is the junction capacitance of the diode.
- C_{j0} is the zero-bias junction capacitance.
- V_{bi} is the built-in voltage.
- C_{diff} is the diffusion capacitance of the diode.
- τ is the transit time.

The capacitances are defined through an explicit calculation of charges, which are then differentiated to give the capacitive expressions above. The block computes the capacitive diode currents as time derivatives of the relevant charges, similar to the computation in the surface-potential-based MOSFET model.

Modeling Temperature Dependence

The default behavior is that dependence on temperature is not modeled, and the device is simulated at the temperature for which you provide block parameters. To model the dependence on temperature during simulation, select `Model temperature dependence` for the **Parameterization** parameter on the **Temperature Dependence** tab.

The model includes temperature effects on the capacitance characteristics, as well as modeling the dependence of the transistor static behavior on temperature during simulation.

The **Measurement temperature** parameter on the **Main** tab specifies temperature T_{m1} at which the other device parameters have been extracted. The **Temperature Dependence** tab provides the simulation temperature, T_s , and the temperature-scaling coefficients for the other device parameters. For more information, see “Temperature Dependence” on page 1-1012.

Thermal Port

The block has an optional thermal port, hidden by default. To expose the thermal port, right-click the block in your model, and then from the context menu select **Simscape > Block choices > Show thermal port**. This action displays the thermal port **H** on the block icon, and exposes the **Thermal Port** parameters.

Use the thermal port to simulate the effects of generated heat and device temperature. For more information on using thermal ports and on the **Thermal Port** parameters, see “Simulating Thermal Effects in Semiconductors”.

The thermal variant of the block includes dynamic self-heating, that is, lets you simulate the effect of self-heating on the electrical characteristics of the device.

Ports

Conserving

G – Gate terminal

electrical

Electrical conserving port associated with the transistor gate terminal

D – Drain terminal

electrical

Electrical conserving port associated with the transistor drain terminal

S – Source terminal

electrical

Electrical conserving port associated with the transistor source terminal

Parameters

Main

Gain, [channel drift_region] – Gain

[11.6, .01] A/V² (default)

The gain, β , of the MOSFET regions. The parameter value is a two-element vector, with the first element corresponding to the channel, and the second — to the drift region. This parameter primarily defines the linear region of operation on an I_D - V_{DS} characteristic. The values of both elements must be greater than 0.

Flatband voltage, [channel drift_region] – Flatband voltage

[-1.05, -0.1] V (default)

The flatband voltage, V_{FB} , defines the gate bias that must be applied in order to achieve the flatband condition at the surface of the silicon. The parameter value is a two-element vector, with the first element corresponding to the channel, and the second — to the drift region. You can also use this parameter to arbitrarily shift the threshold voltage due to material work function differences, and to trapped interface or oxide charges. In practice, however, it is usually recommended to modify the threshold voltage by using the **Body factor, [channel drift_region]** and **Surface potential at strong inversion, [channel drift_region]** parameters first, and only use this parameter for fine-tuning.

The threshold voltage for the channel region, for a short-circuited source-bulk connection, is approximately

$$-V_T = V_{FB} + 2\phi_B + 2\phi_T + \gamma\sqrt{2\phi_B + 2\phi_T}$$

where $2\phi_B$ is the surface potential at strong inversion and γ is the body factor, both at the channel region.

Body factor, [channel drift_region] – Body factor

[3.4, 2.5] V^{1/2} (default)

Body factor, γ , in the surface-potential equation. The parameter value is a two-element vector, with the first element corresponding to the channel, and the second — to the drift region.

For the channel region, the body factor is

$$\gamma = \frac{\sqrt{2q\epsilon_{Si}N_D}}{C_{ox}}$$

See the N-Channel MOSFET block reference page for details on this equation. The drift region equation is similar, except that N_D is replaced by the doping density, N_A . The channel-region parameter value primarily impacts the threshold voltage. For the drift region, this parameter primarily affects the charge model, and also has a minor effect on the pinch-off behavior of the bulk current through the drift region.

Surface potential at strong inversion, [channel drift_region] — Surface potential at strong inversion

[0.95, 0.95] V (default)

The $2\phi_B$ term in the surface-potential equation. The parameter value is a two-element vector, with the first element corresponding to the channel, and the second — to the drift region.

The channel-region parameter value also primarily impacts the threshold voltage. For the drift region, this parameter affects the charge model only.

Velocity saturation factor, [channel drift_region] — Velocity saturation factor

[0.0, 0.1] 1/V (default)

Velocity saturation, θ_{sat} , in the drain-current equation. Use this parameter in cases where a good fit to linear operation leads to a saturation current that is too high. By increasing this parameter value, you reduce the saturation current. The parameter value is a two-element vector, with the first element corresponding to the channel, and the second — to the drift region. The default value is [0.0, 0.1] 1/V, which means that velocity saturation in the channel region is off by default.

Drift region surface scattering factor — Drift region surface scattering factor

0 1/V (default)

Surface scattering factor, θ_{surf} , in the drain-current equation. This parameter applies to the drift region only and accounts for scattering in the accumulation layer due to the vertical electric field.

Channel-length modulation factor — Channel-length modulation factor

0 (default)

The factor, α , multiplying the logarithmic term in the G_{AL} equation. See the N-Channel MOSFET block reference page for details on this equation. This parameter describes the onset of channel-length modulation. For device characteristics that exhibit a positive conductance in saturation, increase the parameter value to fit this behavior. This parameter applies to the channel region only. The default value is 0, which means that channel-length modulation is off by default.

Channel-length modulation voltage — Channel-length modulation voltage

5e-2 V (default)

The voltage V_p in the G_{AL} equation. See the N-Channel MOSFET block reference page for details on this equation. This parameter controls the drain-voltage at which channel-length modulation starts to become active. This parameter applies to the channel region only.

Linear-to-saturation transition coefficient – Linear-to-saturation transition coefficient

8 (default)

This parameter controls how smoothly the MOSFET transitions from linear into saturation, particularly when velocity saturation is enabled. This parameter can usually be left at its default value, but you can use it to fine-tune the knee of the I_D - V_{DS} characteristic. This parameter applies both to the channel and drift regions. The expected range for this parameter value is between 2 and 8.

Measurement temperature – Measurement temperature

25 degC (default)

Temperature T_{m1} at which the block parameters are measured. If the **Device simulation temperature** parameter on the **Temperature Dependence** tab differs from this value, then device parameters will be scaled from their defined values according to the simulation and reference temperatures. For more information, see “Temperature Dependence” on page 1-1012.

Ohmic Resistance**Source ohmic resistance – Source ohmic resistance**

1e-4 Ohm (default) | nonnegative scalar

The transistor source resistance, that is, the series resistance associated with the source contact. The value must be greater than or equal to 0.

Drain ohmic resistance – Drain ohmic resistance

0.07 Ohm (default) | nonnegative scalar

The transistor drain resistance, that is, the series resistance associated with the drain contact and with the LOCOS part of the drift region, which is not heavily impacted by the applied gate voltage. The value must be greater than or equal to 0.

Gate ohmic resistance – Gate ohmic resistance

8.4 Ohm (default) | nonnegative scalar

The transistor gate resistance, that is, the series resistance associated with the gate contact. The value must be greater than or equal to 0.

Drift region low-bias resistance for gated region – Drift region low-bias resistance for gated region

0.1 Ohm (default) | nonnegative scalar

Resistance R_D in the drain-current equation. It represents the resistance of the bulk part of the drift region in the absence of depletion from the top and bottom interfaces. The value must be greater than or equal to 0.

Drift region depletion layer thickness factor – Drift region depletion layer thickness factor

0.2 (default)

Parameter λ_D in the drain-current equation. It is the ratio of vertical depths y_1 and y_2 at zero bias, where y_1 represents the space-charge region and y_2 represents the undepleted part of the drift region. See the N-Channel LDMOS FET block reference page for an illustration.

Capacitances

Oxide capacitance, [channel drift_region] – Oxide capacitance

[1600.0, 1000.0] pF (default)

The parallel plate gate-channel and gate-drift-region capacitance. The parameter value is a two-element vector, with the first element corresponding to the channel, and the second — to the drift region.

Gate-source overlap capacitance – Gate-source overlap capacitance

15 pF (default)

The fixed, linear capacitance associated with the overlap of the gate electrode with the source well.

Gate-drain overlap capacitance – Gate-drain overlap capacitance

15 pF (default)

The fixed, linear capacitance associated with the overlap of the gate electrode with the drain well.

Body Diode

Reverse saturation current – Reverse saturation current

1e-13 A (default)

The current designated by the I_s symbol in the body-diode equations.

Built-in voltage – Built-in voltage

0.6 V (default)

The built-in voltage of the diode, designated by the V_{bi} symbol in the body-diode equations.

Ideality factor – Ideality factor

1 (default)

The factor designated by the n symbol in the body-diode equations.

Zero-bias junction capacitance – Zero-bias junction capacitance

1800 pF (default)

The capacitance between the drain and bulk contacts at zero-bias due to the body diode alone. It is designated by the C_{j0} symbol in the body-diode equations.

Transit time – Transit time

50 ns (default)

The time designated by the τ symbol in the body-diode equations.

Temperature Dependence

Parameterization – Temperature dependence parameterization

None – Simulate at parameter measurement temperature (default) | Model temperature dependence

Select one of the following methods for temperature dependence parameterization:

- None – Simulate at parameter measurement temperature — Temperature dependence is not modeled. This is the default method.
- Model temperature dependence — Model temperature-dependent effects. Provide a value for the device simulation temperature, T_s , and the temperature-scaling coefficients for other block parameters.

Device simulation temperature — Device simulation temperature

25 degC (default)

Temperature T_s at which the device is simulated.

Dependencies

This parameter is visible only when you select Model temperature dependence for the **Parameterization** parameter.

Gain temperature exponent, [channel drift_region] — Gain temperature exponent

[1.3, 1.3] (default)

The parameter value is a two-element vector, with the first element corresponding to the channel, and the second — to the drift region. Both in the channel and the drift region, the MOSFET gain, β , is assumed to scale exponentially with temperature, $\beta = \beta_{m1} (T_{m1}/T_s)^{\eta_\beta}$. β_{m1} is the value of the channel or drift region gain, as specified by the **Gain, [channel drift_region]** parameter from the **Main** tab. η_β is the corresponding element of the **Gain temperature exponent, [channel drift_region]** parameter.

Dependencies

This parameter is visible only when you select Model temperature dependence for the **Parameterization** parameter.

Flatband voltage temperature coefficient, [channel drift_region] — Flatband voltage temperature coefficient

[0.0005, 0.0005] V/K (default)

The parameter value is a two-element vector, with the first element corresponding to the channel, and the second — to the drift region. The flatband voltage, V_{FB} , is assumed to scale linearly with temperature, $V_{FB} = V_{FBm1} + (T_s - T_{m1})S_{TV_{FB}}$. V_{FBm1} is the value of the channel or drift region flatband voltage, as specified by the **Flatband voltage, [channel drift_region]** parameter from the **Main** tab. $S_{TV_{FB}}$ is the corresponding element of the **Flatband voltage temperature coefficient, [channel drift_region]** parameter.

Dependencies

This parameter is visible only when you select Model temperature dependence for the **Parameterization** parameter.

Surface potential at strong inversion temperature coefficient — Surface potential at strong inversion temperature coefficient

-8.5e-4 V/K (default)

The surface potential at strong inversion, $2\phi_B$, is assumed to scale linearly with temperature, $2\phi_B = 2\phi_{Bm1} + (T_s - T_{m1})S_{T\phi_B}$. $2\phi_{Bm1}$ is the value of the **Surface potential at strong inversion** parameter from the **Main** tab and $S_{T\phi_B}$ is the **Surface potential at strong inversion temperature coefficient**.

Dependencies

This parameter is visible only when you select Model temperature dependence for the **Parameterization** parameter.

Velocity saturation temperature exponent, [channel drift_region] — Velocity saturation temperature exponent

[1.04, 1.04] (default)

The parameter value is a two-element vector, with the first element corresponding to the channel, and the second — to the drift region. The velocity saturation, θ_{sat} , is assumed to scale exponentially with temperature, $\theta_{sat} = \theta_{sat,m1} (T_{m1}/T_s)^{\eta_\theta}$. $\theta_{sat,m1}$ is the value of the channel or drift region velocity saturation factor, as specified by the **Velocity saturation factor, [channel drift_region]** parameter from the **Main** tab. η_θ is the corresponding element of the **Velocity saturation temperature exponent, [channel drift_region]** parameter.

Dependencies

This parameter is visible only when you select Model temperature dependence for the **Parameterization** parameter.

Ohmic resistance temperature exponent — Ohmic resistance temperature exponent

0.95 (default)

The series resistances are assumed to correspond to semiconductor resistances. Therefore, they decrease exponentially with increasing temperature. $R_i = R_{i,m1} (T_{m1}/T_s)^{\eta_R}$, where i is S, D, or G, for the source, drain, or gate series resistance, respectively. $R_{i,m1}$ is the value of the corresponding series resistance parameter from the **Ohmic Resistance** tab and η_R is the **Ohmic resistance temperature exponent**.

Dependencies

This parameter is visible only when you select Model temperature dependence for the **Parameterization** parameter.

Drift region low-bias resistance temperature exponent for gated portion — Drift region low-bias resistance temperature exponent for gated portion

0.95 (default)

Resistance R_D , the low-bias resistance of the bulk part of the drift region, scales similarly to the other series resistances. A separate value of the temperature exponent for this resistance provides an extra degree of freedom.

Dependencies

This parameter is visible only when you select Model temperature dependence for the **Parameterization** parameter.

Body diode reverse saturation current temperature exponent — Body diode reverse saturation current temperature exponent

3 (default)

The reverse saturation current for the body diode is assumed to be proportional to the square of the intrinsic carrier concentration, $n_i = N_C \exp(-E_G/2k_B T)$. N_C is the temperature-dependent effective density of states and E_G is the temperature-dependent bandgap for the semiconductor material. To avoid introducing another temperature-scaling parameter, the block neglects the temperature

dependence of the bandgap and uses the bandgap of silicon at 300K (1.12eV) for all device types. Therefore, the temperature-scaled reverse saturation current is given by

$$I_s = I_{s,m1} \left(\frac{T_s}{T_{m1}} \right)^{\eta_{Is}} \cdot \exp \left(\frac{E_G}{k_B} \cdot \left(\frac{1}{T_{m1}} - \frac{1}{T_s} \right) \right).$$

$I_{s,m1}$ is the value of the **Reverse saturation current** parameter from the **Body Diode** tab, k_B is Boltzmann's constant (8.617x10⁻⁵eV/K), and η_{Is} is the **Body diode reverse saturation current temperature exponent**. The default value is 3, because N_C for silicon is roughly proportional to $T^{3/2}$. You can remedy the effect of neglecting the temperature-dependence of the bandgap by a pragmatic choice of η_{Is} .

Dependencies

This parameter is visible only when you select Model temperature dependence for the **Parameterization** parameter.

Compatibility Considerations

Thermal network simlog paths

Behavior changed in R2019b

From R2019b forward, it is possible to model the thermal network of this block either internally or externally.

As a result, the simlog paths corresponding to the thermal network have changed. If you have a script that programmatically access the simlog, you have to manually update it to reflect these changes.

References

- [1] Aarts, A., N. D'Halleweyn, and R. Van Langevelde. "A Surface-Potential-Based High-Voltage Compact LDMOS Transistor Model." *IEEE Transactions on Electron Devices*. 52(5):999 - 1007. June 2005.
- [2] Van Langevelde, R., A. J. Scholten, and D. B. M. Klaassen. "Physical Background of MOS Model 11. Level 1101." *Nat.Lab. Unclassified Report 2003/00239*. April 2003.
- [3] Oh, S-Y., D. E. Ward, and R. W. Dutton. "Transient analysis of MOS transistors." *IEEE J. Solid State Circuits*. SC-15, pp. 636-643, 1980.

Extended Capabilities

C/C++ Code Generation

Generate C and C++ code using Simulink® Coder™.

See Also

N-Channel LDMOS FET | N-Channel MOSFET

Introduced in R2016b

P-Channel MOSFET

P-Channel metal oxide semiconductor field-effect transistor using either Shichman-Hodges equation or surface-potential-based model

Library: Simscape / Electrical / Semiconductors & Converters



Description

The P-Channel MOSFET block provides two main modeling variants:

- Based on threshold voltage — Uses the Shichman-Hodges equation to represent the device. This modeling approach, based on threshold voltage, has the benefits of simple parameterization and simple current-voltage expressions. However, these models have difficulty in accurately capturing transitions across the threshold voltage and lack some important effects, such as velocity saturation. For details, see “Threshold-Based Model” on page 1-1016.
- Based on surface potential — Uses the surface-potential equation to represent the device. This modeling approach provides a greater level of model fidelity than the simple square-law (threshold-voltage-based) models can provide. The trade-off is that there are more parameters that require extraction. For details, see “Surface-Potential-Based Model” on page 1-1020.

Together with the thermal port variants (see “Thermal Port” on page 1-1024), the block therefore provides you with four choices. To select the desired variant, right-click the block in your model. From the context menu, select **Simscape > Block choices**, and then one of the following options:

- **Threshold-based** — Basic model, which represents the device using the Shichman-Hodges equation (based on threshold voltage) and does not simulate thermal effects. This is the default.
- **Threshold-based with thermal** — Model based on threshold voltage and with exposed thermal port.
- **Surface-potential-based** — Model based on surface potential. This model does not simulate thermal effects.
- **Surface-potential-based with thermal** — Thermal variant of the model based on surface potential.

Threshold-Based Model

The threshold-based variant of the block uses the Shichman and Hodges equations [1] for an insulated-gate field-effect transistor to represent a P-Channel MOSFET.

The drain-source current, I_{DS} , depends on the region of operation:

- In the off region ($-V_{GS} < -V_{th}$) the drain-source current is:

$$I_{DS} = 0$$

- In the linear region ($0 < -V_{DS} < -V_{GS} + V_{th}$) the drain-source current is:

$$I_{DS} = -K((V_{GS} - V_{th})V_{DS} - V_{DS}^2/2)(1 + \lambda |V_{DS}|)$$

- In the saturated region ($0 < -V_{GS} + V_{th} < -V_{DS}$) the drain-source current is:

$$I_{DS} = -(K/2)(V_{GS} - V_{th})^2(1 + \lambda |V_{DS}|)$$

In the preceding equations:

- K is the transistor gain.
- V_{DS} is the negative drain-source voltage.
- V_{GS} is the gate-source voltage.
- V_{th} is the threshold voltage. For the four terminal parameterization, V_{th} is obtained using these equations:

V_{BS} Range	V_{th} Equation
$V_{BS} \leq 0$	$V_{th} = V_{T0} + \gamma(\sqrt{2\phi_B}) - \gamma(\sqrt{2\phi_B + V_{BS}})$
$0 < V_{BS} \leq 4\phi_B$	$V_{th} = V_{T0} - \frac{\gamma V_{BS}}{\sqrt{2\phi_B}}$
$V_{BS} > 4\phi_B$	$V_{th} = V_{T0} + \gamma(\sqrt{2\phi_B})$

- λ is the channel modulation.

Charge Model for Threshold-Based Variant

The block models junction capacitances either by fixed capacitance values, or by tabulated values as a function of the drain-source voltage. In either case, you can either directly specify the gate-source and gate-drain junction capacitance values, or let the block derive them from the input and reverse transfer capacitance values. Therefore, the **Parameterization** options for charge model on the **Junction Capacitance** tab are:

- Specify fixed input, reverse transfer and output capacitance — Provide fixed parameter values from datasheet and let the block convert the input and reverse transfer capacitance values to junction capacitance values, as described below. This is the default method.
- Specify fixed gate-source, gate-drain and drain-source capacitance — Provide fixed values for junction capacitance parameters directly.
- Specify tabulated input, reverse transfer and output capacitance — Provide tabulated capacitance and drain-source voltage values based on datasheet plots. The block converts the input and reverse transfer capacitance values to junction capacitance values, as described below.
- Specify tabulated gate-source, gate-drain and drain-source capacitance — Provide tabulated values for junction capacitances and drain-source voltage.

Use one of the tabulated capacitance options (Specify tabulated input, reverse transfer and output capacitance or Specify tabulated gate-source, gate-drain and drain-source capacitance) when the datasheet provides a plot of junction capacitances as a function of drain-source voltage. Using tabulated capacitance values gives more accurate dynamic characteristics and avoids the need for iterative tuning of parameters to fit the dynamics.

If you use the Specify fixed gate-source, gate-drain and drain-source capacitance or Specify tabulated gate-source, gate-drain and drain-source capacitance option, the **Junction Capacitance** tab lets you specify the **Gate-drain junction capacitance**, **Gate-**

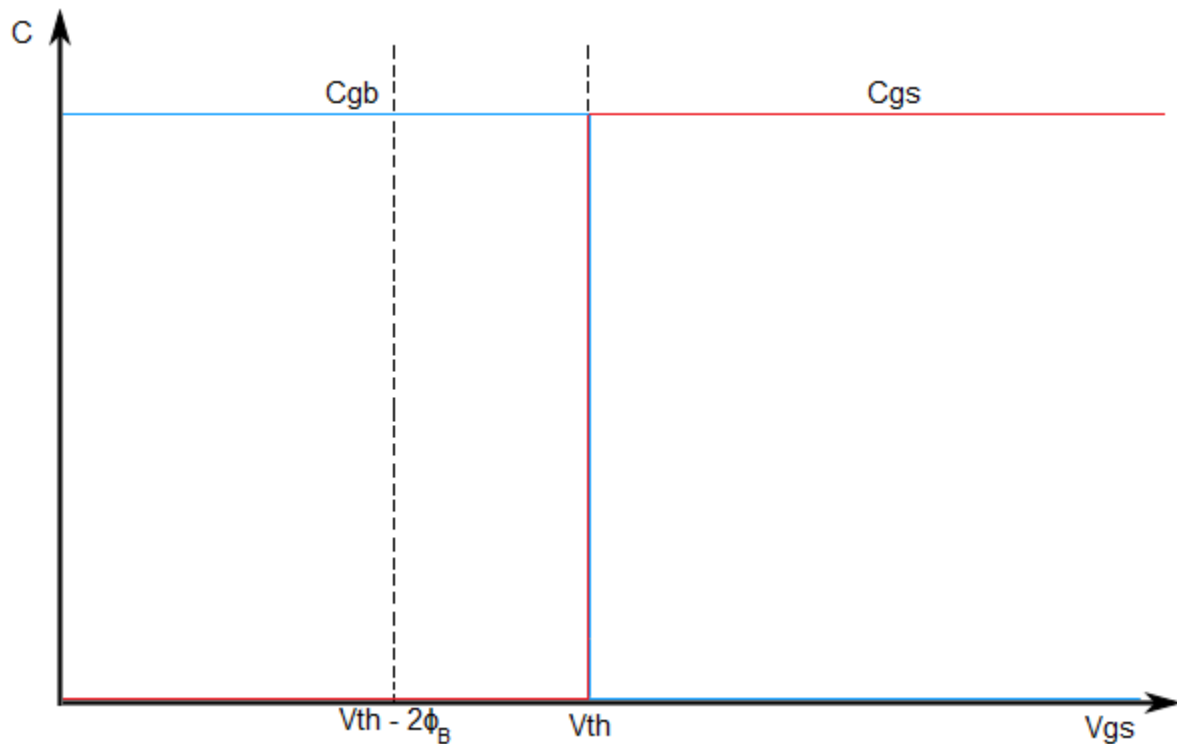
source junction capacitance, and **Drain-source junction capacitance** parameter values (fixed or tabulated) directly. Otherwise, the block derives them from the **Input capacitance, Ciss, Reverse transfer capacitance, Crss, and Output capacitance, Coss** parameter values. These two parameterization methods are related as follows:

- $C_{GD} = Crss$
- $C_{GS} = Ciss - Crss$
- $C_{DS} = Coss - Crss$

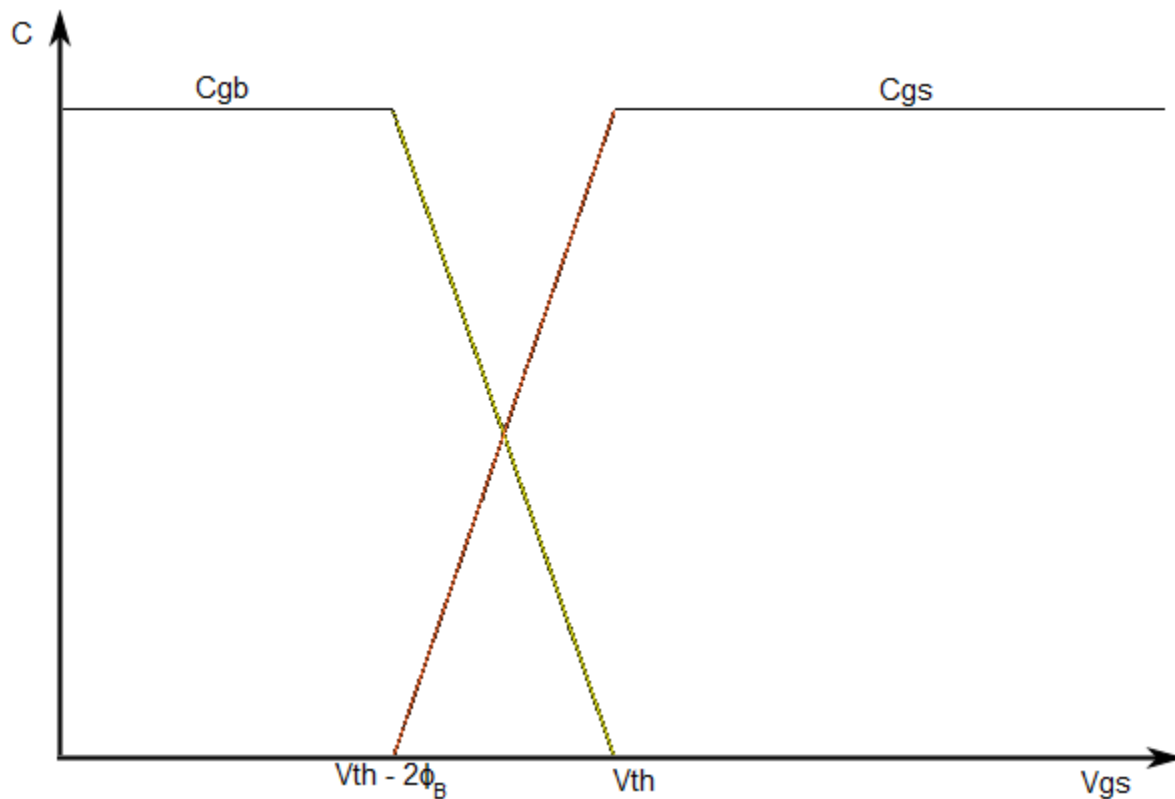
For the four terminals parameterization, the **Input capacitance, Ciss, Reverse transfer capacitance, Crss, and Output capacitance, Coss** are obtained using these equations:

- $C_{GD} = Crss$
- $C_{GS} + C_{GB} = Ciss - Crss$
- $C_{DB} = Coss - Crss$

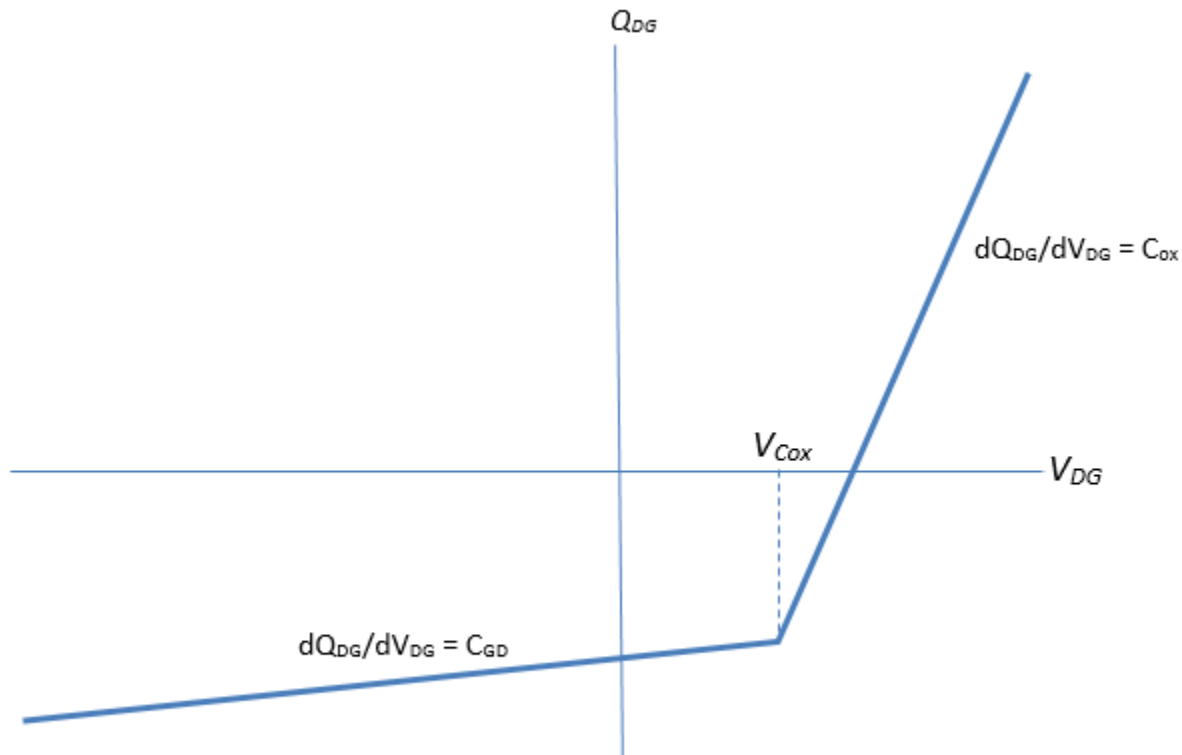
A simplified Meyer's capacitance model is used to describe the gate-source capacitance, C_{GS} , the gate-bulk capacitance, C_{GB} , and the gate-drain capacitance, C_{GD} . These figures show how the gate-bulk and gate-source capacitances change instantaneously, while the



Gate-bulk and gate-source capacitance change instantaneously.



The two fixed capacitance options (Specify fixed input, reverse transfer and output capacitance or Specify fixed gate-source, gate-drain and drain-source capacitance) let you model gate junction capacitance as a fixed gate-source capacitance C_{GS} and either a fixed or a nonlinear gate-drain capacitance C_{GD} . If you select the Gate-drain charge function is nonlinear option for the **Gate-drain charge-voltage linearity** parameter, then the gate-drain charge relationship is defined by the piecewise-linear function shown in the following figure.



Nonlinear gate-drain charge function

For instructions on how to map a time response to device capacitance values, see the N-Channel IGBT block reference page. However, this mapping is only approximate because the Miller voltage typically varies more from the threshold voltage than in the case for the IGBT.

Note Because this block implementation includes a charge model, you must model the impedance of the circuit driving the gate to obtain representative turn-on and turn-off dynamics. Therefore, if you are simplifying the gate drive circuit by representing it as a controlled voltage source, you must include a suitable series resistor between the voltage source and the gate.

Surface-Potential-Based Model

The surface-potential-based variant of the block provides a greater level of model fidelity than the simple square-law (threshold-voltage-based) model. The surface-potential-based block variant includes the following effects:

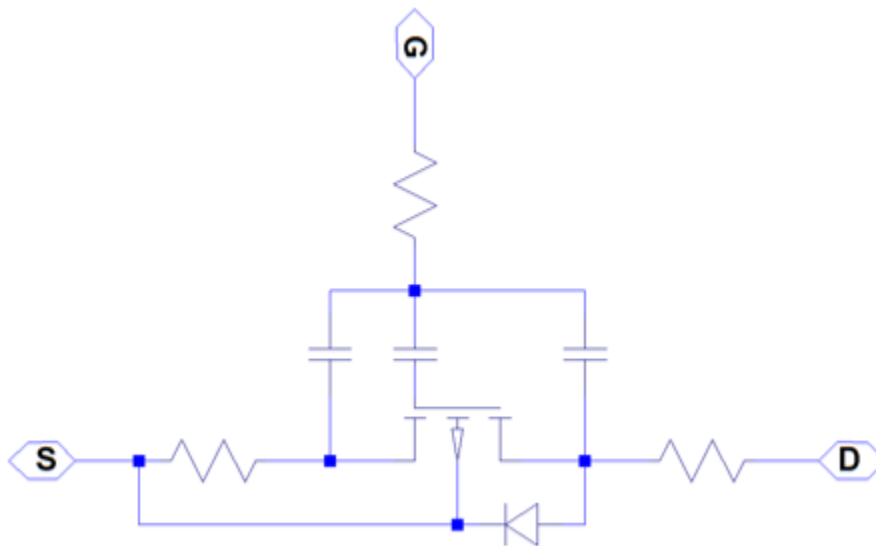
- Fully nonlinear capacitance model (including the nonlinear Miller capacitance)
- Charge conservation inside the model, so you can use the model for charge sensitive simulations
- Velocity saturation and channel-length modulation
- The intrinsic body diode
- Reverse recovery in the body diode model

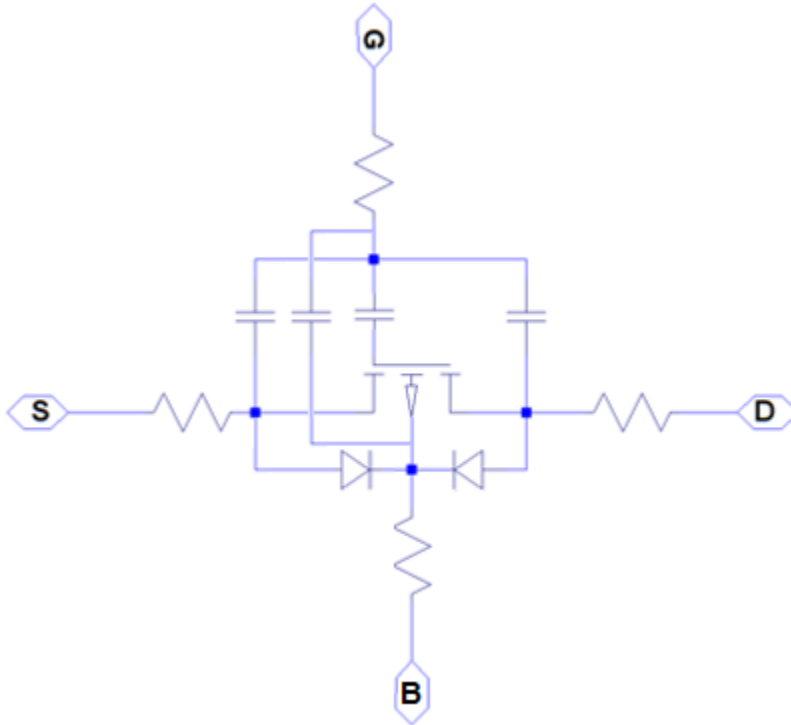
- Temperature scaling of physical parameters
- For the thermal variant, dynamic self-heating (that is, you can simulate the effect of self-heating on the electrical characteristics of the device)

This model is a minimal version of the world-standard PSP model (see <https://briefs.techconnect.org/papers/introduction-to-psp-mosfet-model/>), including only certain effects from the PSP model to strike a balance between model fidelity and complexity. For details of the physical background to the phenomena included in this model, see [2].

The surface-potential equation is derived similar to the way described on the N-Channel MOSFET block reference page, with all voltages, charges, and currents multiplied by -1.

The overall model consists of an intrinsic MOSFET defined by the surface-potential formulation, a body diode, series resistances, and fixed overlap capacitances, as shown in the schematic.





Modeling Body Diode

The block models the body diode as an ideal, exponential diode with both junction and diffusion capacitances:

$$I_{dio} = I_s \left[\exp\left(-\frac{V_{BD}}{n\phi_T}\right) - 1 \right]$$

$$C_j = \frac{C_{j0}}{\sqrt{1 + \frac{V_{BD}}{V_{bi}}}}$$

$$C_{diff} = \frac{\tau I_s}{n\phi_T} \exp\left(-\frac{V_{BD}}{n\phi_T}\right)$$

where:

- I_{dio} is the current through the diode.
- I_s is the reverse saturation current.
- V_{BD} is the body-drain voltage.
- n is the ideality factor.
- ϕ_T is the thermal voltage.
- C_j is the junction capacitance of the diode.
- C_{j0} is the zero-bias junction capacitance.
- V_{bi} is the built-in voltage.

- C_{diff} is the diffusion capacitance of the diode.
- τ is the transit time.

The capacitances are defined through an explicit calculation of charges, which are then differentiated to give the capacitive expressions above. The block computes the capacitive diode currents as time derivatives of the relevant charges, similar to the computation in the surface-potential-based MOSFET model.

Modeling Temperature Dependence

The default behavior is that dependence on temperature is not modeled, and the device is simulated at the temperature for which you provide block parameters. To model the dependence on temperature during simulation, select `Model temperature dependence` for the **Parameterization** parameter on the **Temperature Dependence** tab.

Threshold-Based Model

For threshold-based variant, you can include modeling the dependence of the transistor static behavior on temperature during simulation. Temperature dependence of the junction capacitances is not modeled, this being a much smaller effect.

When including temperature dependence, the transistor defining equations remain the same. The gain, K , and the threshold voltage, V_{th} , become a function of temperature according to the following equations:

$$K_{Ts} = K_{Tm1} \left(\frac{T_s}{T_{m1}} \right)^{BEX}$$

$$V_{ths} = V_{th1} + \alpha (T_s - T_{m1})$$

where:

- T_{m1} is the temperature at which the transistor parameters are specified, as defined by the **Measurement temperature** parameter value.
- T_s is the simulation temperature.
- K_{Tm1} is the transistor gain at the measurement temperature.
- K_{Ts} is the transistor gain at the simulation temperature. This is the transistor gain value used in the MOSFET equations when temperature dependence is modeled.
- V_{th1} is the threshold voltage at the measurement temperature.
- V_{ths} is the threshold voltage at the simulation temperature. This is the threshold voltage value used in the MOSFET equations when temperature dependence is modeled.
- BEX is the mobility temperature exponent. A typical value of BEX is -1.5.
- α is the gate threshold voltage temperature coefficient, dV_{th}/dT .

For the four terminals parameterization, V_{th} is obtained using these equations:

V_{BS} Range	V_{th} Equation
$V_{BS} \leq 0$	$\frac{dV_{th}}{dT} = \frac{dV_{T0}}{dT} - \frac{\gamma}{2\sqrt{2\phi_B}} \frac{d^2\phi_B}{dT} + \frac{\gamma}{2\sqrt{2\phi_B - V_{BS}}} \frac{d^2\phi_B}{dT}$

V_{BS} Range	V_{th} Equation
$0 < V_{BS} \leq 4\phi_B$	$\frac{dV_{th}}{dT} = \frac{dV_{T0}}{dT} - \frac{\gamma V_{BS}}{4} (2\phi_B)^{-\frac{3}{2}} \frac{d2\phi_B}{dT}$
$V_{BS} > 4\phi_B$	$\frac{dV_{th}}{dT} = \frac{dV_{T0}}{dT} - \frac{\gamma}{2\sqrt{2\phi_B}} \frac{d2\phi_B}{dT}$

Where:

- $\phi_B = \frac{kT}{q} \ln\left(\frac{N_B}{n_i}\right)$ is the surface potential and $\frac{d2\phi_B}{dT} = -\frac{1}{T} \left[2\phi_B - \left(\frac{E_g(0)}{q} + \frac{3kT}{q} \right) \right]$.
- $E_g(0)$ is the extrapolated zero degree band-gap, which is equal to 1.16 eV for silicon.
- V_{BS} is the bulk-source voltage.

For most MOSFETS, you can use the default value of -1.5 for BEX . Some datasheets quote the value for α , but most typically they provide the temperature dependence for drain-source on resistance, $R_{DS(on)}$. Depending on the block parameterization method, you have two ways of specifying α :

- If you parameterize the block from a datasheet, you have to provide $R_{DS(on)}$ at a second measurement temperature. The block then calculates the value for α based on this data.
- If you parameterize by specifying equation parameters, you have to provide the value for α directly.

If you have more data comprising drain current as a function of gate-source voltage for more than one temperature, then you can also use Simulink Design Optimization software to help tune the values for α and BEX .

Surface-Potential-Based Model

The surface-potential-based model includes temperature effects on the capacitance characteristics, as well as modeling the dependence of the transistor static behavior on temperature during simulation.

The **Measurement temperature** parameter on the **Main** tab specifies temperature T_{m1} at which the other device parameters have been extracted. The **Temperature Dependence** tab provides the simulation temperature, T_s , and the temperature-scaling coefficients for the other device parameters. For more information, see “Temperature Dependence (Surface-Potential-Based Variant)” on page 1-1038.

Thermal Port

The block has an optional thermal port, hidden by default. To expose the thermal port, right-click the block in your model, and select the appropriate block variant:

- For a model based on threshold voltage and with exposed thermal port, select **Simscape > Block choices > Threshold-based with thermal**.
- For a thermal variant of the model based on surface potential, select **Simscape > Block choices > Surface-potential-based with thermal**.

This action displays the thermal port **H** on the block icon, and exposes the **Thermal Port** parameters.

Use the thermal port to simulate the effects of generated heat and device temperature. For more information on using thermal ports and on the **Thermal Port** parameters, see “Simulating Thermal Effects in Semiconductors”.

Assumptions and Limitations

When modeling temperature dependence for threshold-based block variant, consider the following:

- The block does not account for temperature-dependent effects on the junction capacitances.
- When you specify $R_{DS(on)}$ at a second measurement temperature, it must be quoted for the same working point (that is, the same drain current and gate-source voltage) as for the other $R_{DS(on)}$ value. Inconsistent values for $R_{DS(on)}$ at the higher temperature will result in unphysical values for α and unrepresentative simulation results. Typically $R_{DS(on)}$ increases by a factor of about 1.5 for a hundred degree increase in temperature.
- You may need to tune the values of BEX and threshold voltage, V_{th} , to replicate the $I_{DS}-V_{GS}$ relationship (if available) for a given device. Increasing V_{th} moves the $I_{DS}-V_{GS}$ plots to the right. The value of BEX affects whether the $I_{DS}-V_{GS}$ curves for different temperatures cross each other, or not, for the ranges of V_{DS} and V_{GS} considered. Therefore, an inappropriate value can result in the different temperature curves appearing to be reordered. Quoting $R_{DS(on)}$ values for higher currents, preferably close to the current at which it will operate in your circuit, will reduce sensitivity to the precise value of BEX .

Ports

Conserving

G – Gate terminal

electrical

Electrical conserving port associated with the transistor gate terminal

D – Drain terminal

electrical

Electrical conserving port associated with the transistor drain terminal

S – Source terminal

electrical

Electrical conserving port associated with the transistor source terminal

B – Body terminal

electrical

Electrical conserving port associated with the transistor body terminal

Dependencies

To enable this port, set **Number of terminals** to Four.

Parameters

Main (Threshold-Based Variant)

This configuration of the **Main** tab corresponds to the threshold-based block variant, which is the default. If you are using the surface-potential-based variant of the block, see “Main (Surface-Potential-Based Variant)” on page 1-1029.

Number of terminals – Terminal parameterization

Three (default) | Four

Number of terminals of the block.

Parameterization – Block parameterization

Specify from a datasheet (default) | Specify using equation parameters directly

Select one of the following methods for block parameterization:

- Specify from a datasheet — Provide the drain-source on resistance and the corresponding drain current and gate-source voltage. The block calculates the transistor gain for the Shichman and Hodges equations from this information. This is the default method.
- Specify using equation parameters directly — Provide the transistor gain.

Drain-source on resistance, $R_{DS(on)}$ – Drain-source on resistance

0.167 Ohm (default)

The ratio of the drain-source voltage to the drain current for specified values of drain current and gate-source voltage. $R_{DS(on)}$ should have a positive value.**Dependencies**This parameter is visible only when you select Specify from a datasheet for the **Parameterization** parameter.**Drain current, I_{DS} , for $R_{DS(on)}$ – Drain current, I_{DS} , for $R_{DS(on)}$**

-2.5 A (default)

The drain current the block uses to calculate the value of the drain-source resistance. I_{DS} should have a negative value.**Dependencies**This parameter is visible only when you select Specify from a datasheet for the **Parameterization** parameter.**Gate-source voltage, V_{GS} , for $R_{DS(on)}$ – Gate-source voltage, V_{GS} , for $R_{DS(on)}$**

-4.5 V (default)

The gate-source voltage the block uses to calculate the value of the drain-source resistance. V_{GS} should have a negative value.**Dependencies**This parameter is visible only when you select Specify from a datasheet for the **Parameterization** parameter.**Gain, K – Gain, K** 2 A/V² (default)

Positive constant gain coefficient for the Shichman and Hodges equations.

DependenciesTo enable this parameter, set **Parameterization** to Specify using equation parameters directly.

Gate-source threshold voltage, Vth – Gate-source threshold voltage

-1.4 V (default)

Gate-source threshold voltage V_{th} in the Shichman and Hodges equations. For an enhancement device, V_{th} should be negative. For a depletion mode device, V_{th} should be positive.

Dependencies

To enable this parameter, set **Terminals** to Three.

Gate-source threshold voltage at zero bulk-source voltage, Vth0 – Gate-source threshold voltage at zero bulk-source voltage

-1.4 V (default)

Gate-source threshold voltage at zero bulk-source voltage V_{th0} in the Shichman and Hodges equations.

Dependencies

To enable this parameter, set **Terminals** to Four.

Channel modulation, L – Channel modulation

0 1/V (default)

The channel-length modulation, usually denoted by the mathematical symbol λ . When in the saturated region, it is minus the rate of change of drain current with drain-source voltage. The effect on drain current is typically small, and the effect is neglected if calculating transistor gain K from drain-source on-resistance, $R_{DS(on)}$. A typical value is 0.02, but the effect can be ignored in most circuit simulations. However, in some circuits a small nonzero value may help numerical convergence.

Gate-source threshold voltage at first non-zero bulk-source voltage, Vth1 – Gate-source threshold voltage at first non-zero bulk-source voltage

-1.6071 V (default)

Gate-source threshold voltage at first non-zero bulk-source voltage V_{th1} in the Shichman and Hodges equations.

Dependencies

To enable this parameter, set:

- **Number of terminals** to Four
- **Parameterization** to Specify from a datasheet

First bulk-source voltage, Vbs1 – First bulk-source voltage

1 V (default)

First bulk-source voltage, V_{bs1}

Dependencies

To enable this parameter, set:

- **Number of terminals** to Four
- **Parameterization** to Specify from a datasheet

Gate-source threshold voltage at second non-zero bulk-source voltage, Vth2 — Gate-source threshold voltage at second non-zero bulk-source voltage

-1.7660 V (default)

Gate-source threshold voltage at second non-zero bulk-source voltage V_{th2} in the Shichman and Hodges equations.

Dependencies

To enable this parameter, set:

- **Number of terminals** to Four
- **Parameterization** to Specify from a datasheet

Second bulk-source voltage, Vbs2 — Second bulk-source voltage

2 V (default)

Second bulk-source voltage, V_{bs2}

Dependencies

To enable this parameter, set:

- **Number of terminals** to Four
- **Parameterization** to Specify from a datasheet

Body factor — Body factor

$0.5 V^{0.50000}$ (default)

Body factor, γ .

Dependencies

To enable this parameter, set:

- **Number of terminals** to Four
- **Parameterization** to Specify using equations parameters directly

Surface potential — Surface potential

0.5 V (default)

Surface potential

Dependencies

To enable this parameter, set:

- **Number of terminals** to Four
- **Parameterization** to Specify using equations parameters directly

Measurement temperature — Measurement temperature

25 degC (default)

Temperature T_{m1} at which **Drain-source on resistance, R_DS(on)** is measured.

Main (Surface-Potential-Based Variant)

This configuration of the **Main** tab corresponds to the surface-potential-based block variant. If you are using the threshold-based variant of the block, based on the Shichman and Hodges equations, see “Main (Threshold-Based Variant)” on page 1-1025.

Number of terminals — Terminal parameterization

Three (default) | Four

Number of terminals of the block.

Gain — Gain

18 A/V² (default)

The MOSFET gain, β . This parameter primarily defines the linear region of operation on an I_D - V_{DS} characteristic.

Flatband voltage — Flatband voltage

-1.1 V (default)

The flatband voltage, V_{FB} , defines the gate bias that must be applied in order to achieve the flatband condition at the surface of the silicon. You can also use this parameter to arbitrarily shift the threshold voltage due to material work function differences, and to trapped interface or oxide charges. In practice, however, it is usually recommended to modify the threshold voltage by using the **Body factor** and **Surface potential at strong inversion** parameters first, and only use this parameter for fine-tuning.

Body factor — Body factor

3.5 V^{1/2} (default)

Body factor, γ , in the surface-potential equation. This parameter primarily impacts the threshold voltage.

Surface potential at strong inversion — Surface potential at strong inversion

1 V (default)

The $2\phi_B$ term in the surface-potential equation. This parameter also primarily impacts the threshold voltage.

Velocity saturation factor — Velocity saturation factor

0.4 1/V (default)

Velocity saturation, θ_{sat} , in the drain-current equation. Use this parameter in cases where a good fit to linear operation leads to a saturation current that is too high. By increasing this parameter value, you reduce the saturation current. For high-voltage devices, it is often the case that a good fit to linear operation leads to a saturation current that is too low. In such a case, either increase both the gain and the drain ohmic resistance or use a P-Channel LDMOS FET block instead.

Channel-length modulation factor — Channel-length modulation factor

0 (default)

The factor, α , multiplying the logarithmic term in the $G_{\Delta L}$ equation. This parameter describes the onset of channel-length modulation. For device characteristics that exhibit a positive conductance in saturation, increase the parameter value to fit this behavior. The default value is 0, which means that channel-length modulation is off by default.

Channel-length modulation voltage – Channel-length modulation voltage

5e-2 V (default)

The voltage V_p in the G_{AL} equation. This parameter controls the drain-voltage at which channel-length modulation starts to become active.

Surface roughness scattering factor – Surface roughness scattering factor

0 1/V (default)

Indicates the strength of the mobility reduction. The mobility is $\mu = \mu_0/G_{mob}$, where μ_0 is the low-field mobility without the effect of surface scattering. The mobility reduction factor, G_{mob} , is given by $G_{mob} = \sqrt{1 + (\theta_{sr}V_{eff})^2}$, where θ_{sr} is the surface roughness scattering factor and V_{eff} is a voltage that is indicative of the effective vertical electric field strength in the channel, E_{eff} . For high vertical electric fields, the mobility is roughly proportional to E_{eff} for holes.

Linear-to-saturation transition coefficient – Linear-to-saturation transition coefficient

8 (default)

This parameter controls how smoothly the MOSFET transitions from linear into saturation, particularly when velocity saturation is enabled. This parameter can usually be left at its default value, but you can use it to fine-tune the knee of the I_D - V_{DS} characteristic. The expected range for this parameter value is between 2 and 8.

Measurement temperature – Measurement temperature

25 degC (default)

Temperature T_{m1} at which the block parameters are measured. If the **Device simulation temperature** parameter on the **Temperature Dependence** tab differs from this value, then device parameters will be scaled from their defined values according to the simulation and reference temperatures. For more information, see “Temperature Dependence (Surface-Potential-Based Variant)” on page 1-1038.

Ohmic Resistance**Source ohmic resistance – Source ohmic resistance**

1e-4 Ohm (default) | nonnegative scalar

The transistor source resistance, that is, the series resistance associated with the source contact. The value must be greater than or equal to 0. The default value for threshold-based variants is 1e-4 Ohm. The default value for surface-potential-based variants is 2e-3 Ohm.

Drain ohmic resistance – Drain ohmic resistance

0.01 Ohm (default) | nonnegative scalar

The transistor drain resistance, that is, the series resistance associated with the drain contact. The value must be greater than or equal to 0. The default value for threshold-based variants is 0.01 Ohm. The default value for surface-potential-based variants is 0.17 Ohm.

Gate ohmic resistance – Gate ohmic resistance

8.4 Ohm (default) | nonnegative scalar

The transistor gate resistance, that is, the series resistance associated with the gate contact. The value must be greater than or equal to 0.

Dependencies

This parameter is visible only for the surface-potential-based block variants.

Body ohmic resistance — Transistor body resistance

0.001 Ohm (default) | nonnegative scalar

The transistor body resistance, that is, the series resistance associated with the body contact.

Dependencies

To enable this parameter, set:

- **Number of terminals** to Four.
- Threshold-potential-based block variant.

Bulk ohmic resistance — Transistor bulk resistance

2e-3 Ohm (default) | nonnegative scalar

The transistor body resistance, that is, the series resistance associated with the bulk contact.

Dependencies

To enable this parameter, set:

- **Number of terminals** to Four.
- Surface-potential-based block variant.

Junction Capacitance

This tab is visible only for the threshold-based variant of the block.

Parameterization — Junction capacitance parameterization

Specify fixed input, reverse transfer and output capacitance (default) | Specify fixed gate-source, gate-drain and drain-source capacitance | Specify tabulated input, reverse transfer and output capacitance | Specify tabulated gate-source, gate-drain and drain-source capacitance

Select one of the following methods for capacitance parameterization:

- **Specify fixed input, reverse transfer and output capacitance** — Provide fixed parameter values from datasheet and let the block convert the input, output, and reverse transfer capacitance values to junction capacitance values, as described in “Charge Model for Threshold-Based Variant” on page 1-1017. This is the default method.
- **Specify fixed gate-source, gate-drain and drain-source capacitance** — Provide fixed values for junction capacitance parameters directly.
- **Specify tabulated input, reverse transfer and output capacitance** — Provide tabulated capacitance and source-drain voltage values based on datasheet plots. The block converts the input, output, and reverse transfer capacitance values to junction capacitance values, as described in “Charge Model for Threshold-Based Variant” on page 1-1017.
- **Specify tabulated gate-source, gate-drain and drain-source capacitance** — Provide tabulated values for junction capacitances and source-drain voltage.

Input capacitance, Ciss — Input capacitance

182 pF (default) | [225 210 200 185 175 170]

The gate-source capacitance with the drain shorted to the source.

Dependencies

This parameter is visible only when you select one of these options for the parameter in the **Junction Capacitance** settings:

- Specify fixed input, reverse transfer and output capacitance - If you select this setting for the parameter, specify the input capacitance as a scalar. The default value is 182 pF.
- Specify tabulated input, reverse transfer and output capacitance - If you select this setting for the **Parameterization** parameter, specify the input capacitance as a vector. The default value is [225 210 200 185 175 170] pF

Reverse transfer capacitance, Crss — Reverse transfer capacitance

24 pF (default) | [75 60 50 35 25 20] pF

The drain-gate capacitance with the source connected to ground.

Dependencies

This parameter is visible only when you select one of these options for the parameter in the **Junction Capacitance** settings:

- Specify fixed input, reverse transfer and output capacitance - If you select this setting for the parameter, specify the input capacitance as a scalar. The default value is 24 pF.
- Specify tabulated input, reverse transfer and output capacitance - If you select this setting for the **Parameterization** parameter, specify the input capacitance as a vector. The default value is [75 60 50 35 25 20] pF

Output capacitance, Coss — Output capacitance

0 pF (default) | [180 160 125 80 60 45] pF

The drain-source capacitance with the gate and source shorted.

Dependencies

This parameter is visible only when you select one of these options for the parameter in the **Junction Capacitance** settings:

- Specify fixed input, reverse transfer and output capacitance - If you select this setting for the parameter, specify the input capacitance as a scalar. The default value is 0 pF.
- Specify tabulated input, reverse transfer and output capacitance - If you select this setting for the **Parameterization** parameter, specify the input capacitance as a vector. The default value is [180 160 125 80 60 45] pF

Gate-source junction capacitance — Gate-source junction capacitance

158 pF (default) | [150 150 150 150 150 150] pF

The value of the capacitance placed between the gate and the source.

Dependencies

This parameter is visible only when you select one of these options for the parameter in the **Junction Capacitance** settings:

- Specify fixed gate-source, gate-drain and drain-source capacitance - If you select this setting for the parameter, specify the input capacitance as a scalar. The default value is 158 pF.
- Specify tabulated gate-source, gate-drain and drain-source capacitance - If you select this setting for the **Parameterization** parameter, specify the input capacitance as a vector. The default value is [150 150 150 150 150 150] pF

Gate-drain junction capacitance — Gate-drain junction capacitance

24 pF (default) | [75 60 50 35 25 20] pF

The value of the capacitance placed between the gate and the drain.

Dependencies

This parameter is visible only when you select one of these options for the parameter in the **Junction Capacitance** settings:

- Specify fixed gate-source, gate-drain and drain-source capacitance - If you select this setting for the parameter, specify the input capacitance as a scalar. The default value is 24 pF.
- Specify tabulated gate-source, gate-drain and drain-source capacitance - If you select this setting for the **Parameterization** parameter, specify the input capacitance as a vector. The default value is [75 60 50 35 25 20] pF

Drain-source junction capacitance — Drain-source junction capacitance

0 pF (default) | [105 100 75 45 35 25] pF

The value of the capacitance placed between the drain and the source.

Dependencies

This parameter is visible only when you select one of these options for the parameter in the **Junction Capacitance** settings:

- Specify fixed gate-source, gate-drain and drain-source capacitance - If you select this setting for the parameter, specify the input capacitance as a scalar. The default value is 0 pF.
- Specify tabulated gate-source, gate-drain and drain-source capacitance - If you select this setting for the **Parameterization** parameter, specify the input capacitance as a vector. The default value is [105 100 75 45 35 25] pF

Corresponding source-drain voltages — Corresponding source-drain voltages

[0.1 0.3 1 3 10 30] V (default)

The source-drain voltages corresponding to the tabulated capacitance values.

Dependencies

This parameter is visible only when the **Parameterization** parameter, in the **Junction capacitance** tab, is set to Specify tabulated input, reverse transfer and output capacitance or to Specify tabulated gate-source, gate-drain and output capacitance.

Gate-source voltage, Vgs, for tabulated capacitances — Gate-source voltage, Vgs, for tabulated capacitances

0 V (default)

For tabulated capacitance models, this parameter controls the voltage dependence of the **Reverse transfer capacitance, Crss** or the **Gate-drain junction capacitance** parameter (depending on the selected parameterization option). These capacitances are a function of the drain-gate voltage. The block calculates drain-gate voltages by subtracting this gate-source voltage value from the negative of the values specified for the **Corresponding source-drain voltages** parameter ($V_{dg} = -V_{sd} - V_{gs}$).

Dependencies

This parameter is visible only when the **Parameterization** parameter, in the **Junction capacitance** tab, is set to Specify tabulated input, reverse transfer and output capacitance or to Specify tabulated gate-source, gate-drain and output capacitance.

Gate-drain charge-voltage linearity — Gate-drain charge-voltage linearity

Gate-drain capacitance is constant (default) | Gate-drain charge function is nonlinear

The two fixed capacitance options let you model gate junction capacitance as a fixed gate-source capacitance C_{GS} and either a fixed or a nonlinear gate-drain capacitance C_{GD} . Select whether the gate-drain capacitance is fixed or nonlinear:

- **Gate-drain capacitance is constant** — The capacitance value is constant and defined according to the selected parameterization option, either directly or derived from a datasheet. This is the default method.
- **Gate-drain charge function is nonlinear** — The gate-drain charge relationship is defined according to the piecewise-nonlinear function described in “Charge Model for Threshold-Based Variant” on page 1-1017. Two additional parameters appear to let you define the gate-drain charge function.

Dependencies

This parameter is visible only when the **Parameterization** parameter, in the **Junction capacitance** tab, is set to Specify fixed input, reverse transfer and output capacitance or to Specify fixed gate-source, gate-drain and drain-source capacitance.

Gate-drain oxide capacitance — Gate-drain oxide capacitance

200 pF (default)

The gate-drain capacitance when the drain-gate voltage is less than the **Drain-gate voltage at which oxide capacitance becomes active** parameter value.

Dependencies

This parameter is visible only when the **Gate-drain charge-voltage linearity** parameter is set to Gate-drain charge function is nonlinear.

Drain-gate voltage at which oxide capacitance becomes active — Drain-gate voltage at which oxide capacitance becomes active

0.5 V (default)

The drain-gate voltage at which the drain-gate capacitance switches between off-state (C_{GD}) and on-state (C_{ox}) capacitance values.

Dependencies

This parameter is visible only when the **Gate-drain charge-voltage linearity** parameter is set to Gate-drain charge function is nonlinear.

Gate-bulk and gate-source charge-voltage linearity – Gate-bulk and gate-source charge-voltage linearity

Gate-bulk and gate-source capacitance change instantly (default) | Gate-bulk and gate-source capacitance change gradually

Gate-bulk and gate-source charge-voltage linearity.

Dependencies

This parameter is visible only when the **Number of terminals** parameter, in the **Main** tab, is set to Four.

Channel Capacitances

This tab is visible only for the surface-potential-based variant of the block.

Oxide capacitance – Oxide capacitance

1500 pF (default)

The parallel plate gate-channel capacitance.

Gate-source overlap capacitance – Gate-source overlap capacitance

100 pF (default)

The fixed, linear capacitance associated with the overlap of the gate electrode with the source well.

Gate-drain overlap capacitance – Gate-drain overlap capacitance

14 pF (default)

The fixed, linear capacitance associated with the overlap of the gate electrode with the drain well.

Body Diode**Reverse saturation current – Reverse saturation current**

0 A (default) | $5.2e-13$ A

The current designated by the I_s symbol in the body-diode equations.

To enable conduction through the body diode, for applications where the MOSFET current changes sign during the simulation, such as when the MOSFET is driving an inductive load, set this parameter to a non-zero value.

For applications where the MOSFET current never changes sign, such as in a small-signal amplifier, set this parameter to 0 to improve simulation speed.

Dependencies

The default value for this parameter depends on the chosen variant for this block:

- Threshold-Based Variant - If you select this variant, the default value is 0 A.
- Surface-Potential-Based Variant - If you select this variant, the default value is $5.2e-13$ A.

Built-in voltage — Built-in voltage

0.6 V (default)

The built-in voltage of the diode, designated by the V_{bi} symbol in the body-diode equations. Built-in voltage has an impact only on the junction capacitance equation. It does not affect the conduction current.

Ideality factor — Ideality factor

1 (default)

The factor designated by the n symbol in the body-diode equations.

Zero-bias junction capacitance — Zero-bias junction capacitance

0 pF (default) | 480 pF

The capacitance between the drain and bulk contacts at zero-bias due to the body diode alone. It is designated by the C_{j0} symbol in the body-diode equations.

Dependencies

The default value for this parameter depends on the chosen variant for this block:

- Threshold-Based Variant - If you select this variant, the default value is 0 pF.
- Surface-Potential-Based Variant - If you select this variant, the default value is 480 pF.

Transit time — Transit time

50e-9 s (default)

The time designated by the τ symbol in the body-diode equations

When the **Reverse saturation current** and **Transit time** parameters are both non-zero, this block includes the reverse recovery inside the body diode model.

Temperature Dependence (Threshold-Based Variant)

This configuration of the **Temperature Dependence** tab corresponds to the threshold-based block variant, which is the default. If you are using the surface-potential-based variant of the block, see “Temperature Dependence (Surface-Potential-Based Variant)” on page 1-1038

Parameterization — Temperature dependence parameterization

None — Simulate at parameter measurement temperature (default) | Model temperature dependence

Select one of the following methods for temperature dependence parameterization:

- None — Simulate at parameter measurement temperature — Temperature dependence is not modeled. This is the default method.
- Model temperature dependence — Model temperature-dependent effects. Provide a value for simulation temperature, T_s , a value for BEX , and a value for the measurement temperature T_{m1} (using the **Measurement temperature** parameter on the **Main** tab). You also have to provide a value for α using one of two methods, depending on the value of the **Parameterization** parameter on the **Main** tab. If you parameterize the block from a datasheet, you have to provide $R_{DS(on)}$ at a second measurement temperature, and the block will calculate α based on that. If you parameterize by specifying equation parameters, you have to provide the value for α directly.

Drain-source on resistance, R_DS(on), at second measurement temperature – Drain-source on resistance, R_DS(on), at second measurement temperature

0.25 Ohm (default)

The ratio of the drain-source voltage to the drain current for specified values of drain current and gate-source voltage at second measurement temperature. It must be quoted for the same working point (drain current and gate-source voltage) as the **Drain-source on resistance, R_DS(on)** parameter on the **Main** tab.

Dependencies

This parameter is visible only when you select Specify from a datasheet for the **Parameterization** parameter on the **Main** tab.

Second measurement temperature – Second measurement temperature

125 degC (default)

Second temperature T_{m2} at which **Drain-source on resistance, R_DS(on), at second measurement temperature** is measured.

Dependencies

This parameter is visible only when you select Specify from a datasheet for the **Parameterization** parameter on the **Main** tab.

Gate threshold voltage temperature coefficient, dVth/dT – Gate threshold voltage temperature coefficient, dVth/dT

2 mV/K (default)

The rate of change of gate threshold voltage with temperature.

Dependencies

This parameter is visible only when you select Specify using equation parameters directly for the **Parameterization** parameter on the **Main** tab.

Mobility temperature exponent, BEX – Mobility temperature exponent

-1.5 (default)

Mobility temperature coefficient value. You can use the default value for most MOSFETs. See the "Assumptions and Limitations" on page 1-1025 section for additional considerations.

Body diode reverse saturation current temperature exponent – Body diode reverse saturation current temperature exponent

3 (default)

The reverse saturation current for the body diode is assumed to be proportional to the square of the intrinsic carrier concentration, $n_i = N_C \exp(-E_G/2k_B T)$. N_C is the temperature-dependent effective density of states and E_G is the temperature-dependent bandgap for the semiconductor material. To avoid introducing another temperature-scaling parameter, the block neglects the temperature dependence of the bandgap and uses the bandgap of silicon at 300K (1.12eV) for all device types. Therefore, the temperature-scaled reverse saturation current is given by

$$I_s = I_{s,m1} \left(\frac{T_s}{T_{m1}} \right)^{\eta_{Is}} \cdot \exp \left(\frac{E_G}{k_B} \cdot \left(\frac{1}{T_{m1}} - \frac{1}{T_s} \right) \right).$$

$I_{s,m1}$ is the value of the **Reverse saturation current** parameter from the **Body Diode** tab, k_B is Boltzmann's constant ($8.617 \times 10^{-5} \text{ eV/K}$), and η_{Is} is the **Body diode reverse saturation current temperature exponent**. The default value is 3, because N_C for silicon is roughly proportional to $T^{3/2}$. You can remedy the effect of neglecting the temperature-dependence of the bandgap by a pragmatic choice of η_{Is} .

Device simulation temperature – Device simulation temperature

25 degC (default)

Temperature T_s at which the device is simulated.

Temperature Dependence (Surface-Potential-Based Variant)

This configuration of the **Temperature Dependence** tab corresponds to the surface-potential-based block variant. If you are using the threshold-based variant of the block, see “Temperature Dependence (Threshold-Based Variant)” on page 1-1036

Parameterization – Temperature dependence parameterization

None – Simulate at parameter measurement temperature (default) | Model temperature dependence

Select one of the following methods for temperature dependence parameterization:

- None – Simulate at parameter measurement temperature – Temperature dependence is not modeled. This is the default method.
- Model temperature dependence – Model temperature-dependent effects. Provide a value for the device simulation temperature, T_s , and the temperature-scaling coefficients for other block parameters.

Gain temperature exponent – Gain temperature exponent

1.3 (default)

The MOSFET gain, β , is assumed to scale exponentially with temperature, $\beta = \beta_{m1} (T_{m1}/T_s)^{\eta_{\beta}}$. β_{m1} is the value of the **Gain** parameter from the **Main** tab and η_{β} is the **Gain temperature exponent**.

Dependencies

This parameter is visible only when you select Model temperature dependence for the **Parameterization** parameter.

Flatband voltage temperature coefficient – Flatband voltage temperature coefficient

$5e-4 \text{ V/K}$ (default)

The flatband voltage, V_{FB} , is assumed to scale linearly with temperature, $V_{FB} = V_{FBm1} + (T_s - T_{m1})S_{TV_{FB}}$. V_{FBm1} is the value of the **Flatband voltage** parameter from the **Main** tab and $S_{TV_{FB}}$ is the **Flatband voltage temperature coefficient**.

Dependencies

This parameter is visible only when you select Model temperature dependence for the **Parameterization** parameter.

Surface potential at strong inversion temperature coefficient – Surface potential at strong inversion temperature coefficient

$-8.5e-4 \text{ V/K}$ (default)

The surface potential at strong inversion, $2\phi_B$, is assumed to scale linearly with temperature, $2\phi_B = 2\phi_{Bm1} + (T_s - T_{m1})S_{T,\phi_B}$. $2\phi_{Bm1}$ is the value of the **Surface potential at strong inversion** parameter from the **Main** tab and S_{T,ϕ_B} is the **Surface potential at strong inversion temperature coefficient**.

Dependencies

This parameter is visible only when you select Model temperature dependence for the **Parameterization** parameter.

Velocity saturation temperature exponent – Velocity saturation temperature exponent

1.04 (default)

The velocity saturation, θ_{sat} , is assumed to scale exponentially with temperature, $\theta_{sat} = \theta_{sat,m1} (T_{m1}/T_s)^{\eta_\theta}$. $\theta_{sat,m1}$ is the value of the **Velocity saturation factor** parameter from the **Main** tab and η_θ is the **Velocity saturation temperature exponent**.

Dependencies

This parameter is visible only when you select Model temperature dependence for the **Parameterization** parameter.

Surface roughness scattering temperature exponent – Surface roughness scattering temperature exponent

0.65 (default)

This parameter leads to a temperature-dependent reduction in the MOSFET transconductance at high gate voltage. The surface roughness scattering, θ_{sr} , is assumed to scale exponentially with temperature, $\theta_{sr} = \theta_{sr,m1} (T_{m1}/T_s)^{\eta_{sr}}$. $\theta_{sr,m1}$ is the value of the **Surface roughness scattering factor** parameter from the **Main** tab and η_{sr} is the **Surface roughness scattering temperature exponent**.

Dependencies

This parameter is visible only when you select Model temperature dependence for the **Parameterization** parameter.

Resistance temperature exponent – Resistance temperature exponent

0.95 (default)

The series resistances are assumed to correspond to semiconductor resistances. Therefore, they decrease exponentially with increasing temperature. $R_i = R_{i,m1} (T_{m1}/T_s)^{\eta_R}$, where i is S, D, or G, for the source, drain, or gate series resistance, respectively. $R_{i,m1}$ is the value of the corresponding series resistance parameter from the **Ohmic Resistance** tab and η_R is the **Resistance temperature exponent**.

Dependencies

This parameter is visible only when you select Model temperature dependence for the **Parameterization** parameter.

Body diode reverse saturation current temperature exponent – Body diode reverse saturation current temperature exponent

3 (default)

The reverse saturation current for the body diode is assumed to be proportional to the square of the intrinsic carrier concentration, $n_i = N_C \exp(-E_G/2k_B T)$. N_C is the temperature-dependent effective density of states and E_G is the temperature-dependent bandgap for the semiconductor material. To avoid introducing another temperature-scaling parameter, the block neglects the temperature dependence of the bandgap and uses the bandgap of silicon at 300K (1.12eV) for all device types. Therefore, the temperature-scaled reverse saturation current is given by

$$I_s = I_{s,m1} \left(\frac{T_s}{T_{m1}} \right)^{\eta_{Is}} \cdot \exp\left(\frac{E_G}{k_B} \cdot \left(\frac{1}{T_{m1}} - \frac{1}{T_s} \right) \right).$$

$I_{s,m1}$ is the value of the **Reverse saturation current** parameter from the **Body Diode** tab, k_B is Boltzmann's constant (8.617×10^{-5} eV/K), and η_{Is} is the **Body diode reverse saturation current temperature exponent**. The default value is 3, because N_C for silicon is roughly proportional to $T^{3/2}$. You can remedy the effect of neglecting the temperature-dependence of the bandgap by a pragmatic choice of η_{Is} .

Dependencies

This parameter is visible only when you select Model temperature dependence for the **Parameterization** parameter.

Device simulation temperature – Device simulation temperature

25 degC (default)

Temperature T_s at which the device is simulated.

Dependencies

This parameter is visible only when you select Model temperature dependence for the **Parameterization** parameter.

References

- [1] Shichman, H. and D. A. Hodges. "Modeling and simulation of insulated-gate field-effect transistor switching circuits." *IEEE J. Solid State Circuits*. SC-3, 1968.
- [2] Van Langevelde, R., A. J. Scholten, and D. B. M. Klaassen. "Physical Background of MOS Model 11. Level 1101." *Nat.Lab. Unclassified Report 2003/00239*. April 2003.
- [3] Oh, S-Y., D. E. Ward, and R. W. Dutton. "Transient analysis of MOS transistors." *IEEE J. Solid State Circuits*. SC-15, pp. 636-643, 1980.

Extended Capabilities

C/C++ Code Generation

Generate C and C++ code using Simulink® Coder™.

See Also

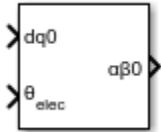
N-Channel MOSFET

Introduced in R2008a

Park to Clarke Angle Transform

Implement $dq0$ to $\alpha\beta0$ transform

Library: Simscape / Electrical / Control / Mathematical Transforms

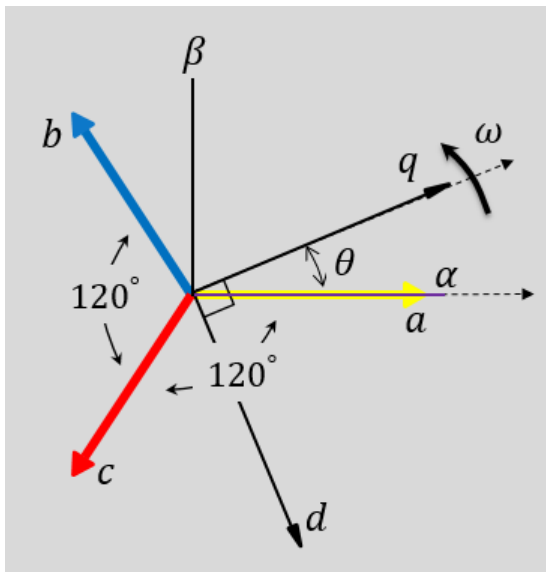


Description

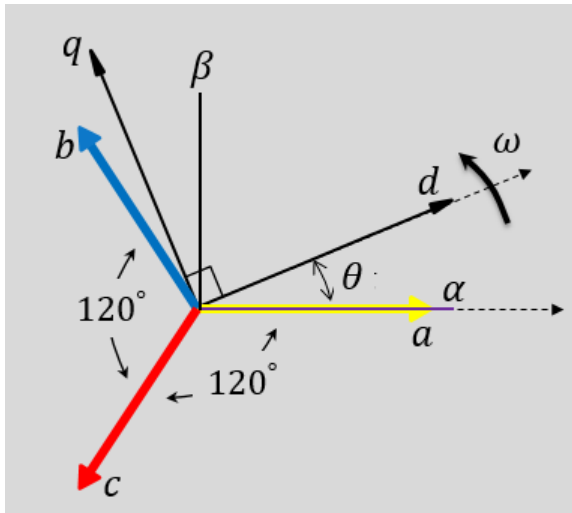
The Park to Clarke Angle Transform block converts the direct, quadrature, and zero components in a rotating reference frame to alpha, beta, and zero components in a stationary reference frame. For balanced systems, the zero components are equal to zero.

You can configure the block to align the phase a -axis of the three-phase system to either the q - or d -axis of the rotating reference frame at time, $t = 0$. The figures show the direction of the magnetic axes of the stator windings in the three-phase system, a stationary $\alpha\beta0$ reference frame, and a rotating $dq0$ reference frame where:

- The a -axis and the q -axis are initially aligned.



- The a -axis and the d -axis are initially aligned.

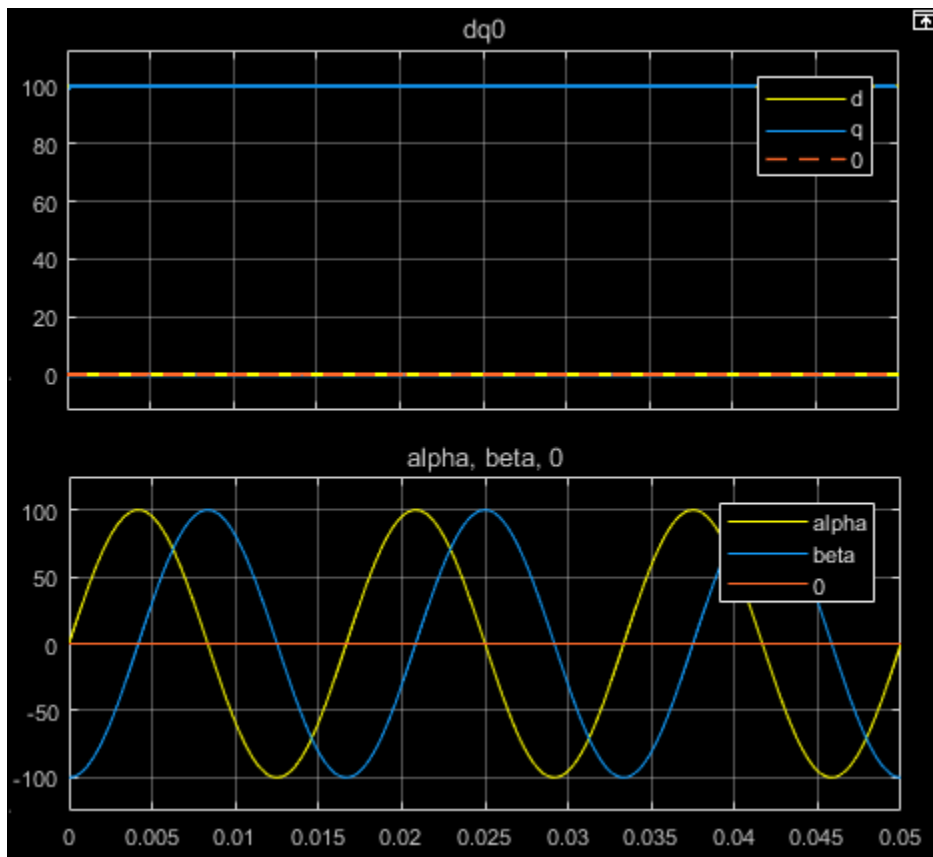


In both cases, the angle $\theta = \omega t$, where

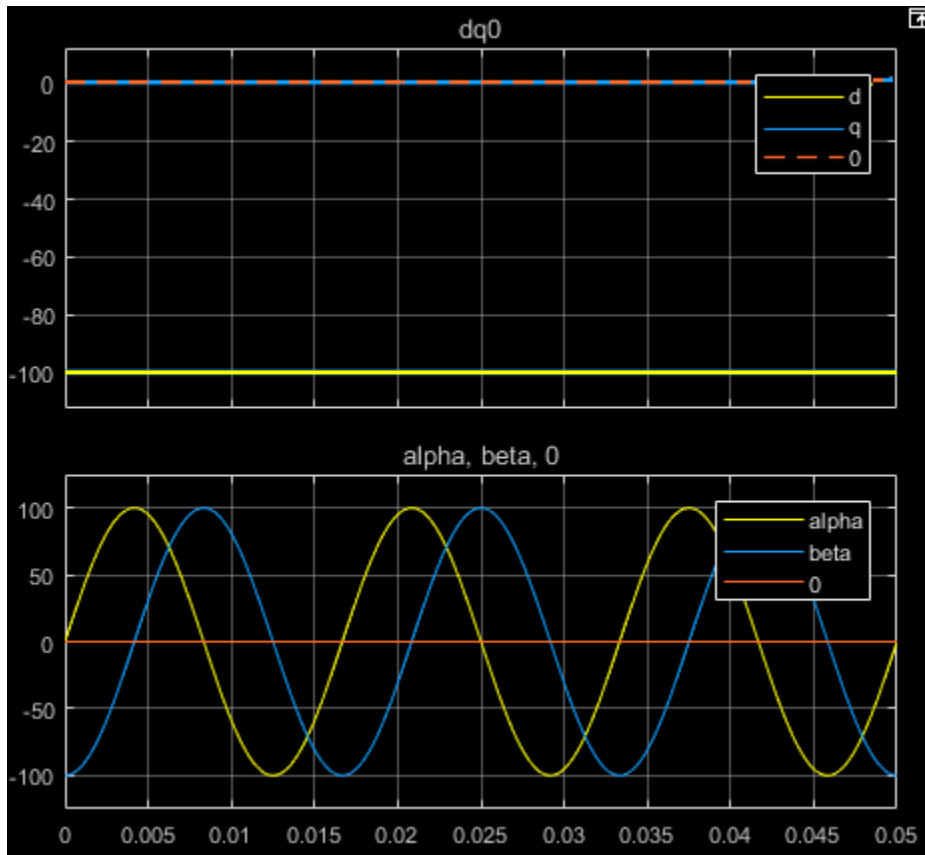
- θ is the angle between the a and q axes for the q -axis alignment or the angle between the a and d axes for the d -axis alignment.
- ω is the rotational speed of the d - q reference frame.
- t is the time, in s, from the initial alignment.

The figures show the time-response of the individual components of equivalent balanced $dq0$ and $\alpha\beta0$ for an:

- Alignment of the a -phase vector to the q -axis



- Alignment of the a -phase vector to the d -axis



Equations

The Park to Clarke Angle Transform block implements the transform for an a -phase to q -axis alignment as

$$\begin{bmatrix} \alpha \\ \beta \\ 0 \end{bmatrix} = \begin{bmatrix} \sin(\theta) & \cos(\theta) & 0 \\ -\cos(\theta) & \sin(\theta) & 0 \\ 0 & 0 & 1 \end{bmatrix} \begin{bmatrix} d \\ q \\ 0 \end{bmatrix}$$

where:

- d and q are the direct-axis and quadrature-axis components of the two-axis system in the rotating reference frame.
- 0 is the zero component.
- α and β are the alpha-axis and beta-axis components of the two-phase system in the stationary reference frame.

For an a -phase to d -axis alignment, the block implements the transform using this equation:

$$\begin{bmatrix} \alpha \\ \beta \\ 0 \end{bmatrix} = \begin{bmatrix} \cos(\theta) & -\sin(\theta) & 0 \\ \sin(\theta) & \cos(\theta) & 0 \\ 0 & 0 & 1 \end{bmatrix} \begin{bmatrix} d \\ q \\ 0 \end{bmatrix}$$

Ports

Input

$dq0$ — d - q axis and zero components

vector

Direct-axis and quadrature-axis components and the zero component of the system in the rotating reference frame.

Data Types: `single` | `double`

θ_{abc} — Rotational angle

scalar | in radians

Angular position of the rotating reference frame. The value of this parameter is equal to the polar distance from the vector of the a-phase in the abc reference frame to the initially aligned axis of the $dq0$ reference frame.

Data Types: `single` | `double`

Output

$\alpha\beta0$ — α - β axis and zero components

vector

Alpha-axis component, α , beta-axis component, β , and zero component of the two-phase system in the stationary reference frame.

Data Types: `single` | `double`

Parameters

Phase-a axis alignment — $dq0$ reference frame alignment

Q-axis (default) | D-axis

Align the a -phase vector of the abc reference frame to the d - or q -axis of the rotating reference frame.

References

- [1] Krause, P., O. Wasynczuk, S. D. Sudhoff, and S. Pekarek. *Analysis of Electric Machinery and Drive Systems*. Piscatawy, NJ: Wiley-IEEE Press, 2013.

Extended Capabilities

C/C++ Code Generation

Generate C and C++ code using Simulink® Coder™.

See Also

Blocks

Clarke Transform | Clarke to Park Angle Transform | Inverse Clarke Transform | Inverse Park Transform | Park Transform

Introduced in R2017b

Passive Harmonic Filter (Three-Phase)

Harmonic current filter

Library: Simscape / Electrical / Passive



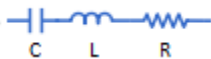
Description

The Passive Harmonic Filter (Three-Phase) block suppresses system harmonic currents and decreases voltage distortion by providing low-impedance paths for the harmonics. At the rated frequency, the passive shunt filters are capacitive and provide reactive power, which can improve electrical power factor.

Each of the four models for the block corresponds to an option for the **Filter type** parameter:

- “Band-Pass Filter, Single Tuned” on page 1-1047
- “Band-Pass Filter, Double Tuned” on page 1-1048
- “High-Pass Filter, Second-Order” on page 1-1048
- “High-Pass Filter, C-type” on page 1-1049

Band-Pass Filter, Single Tuned



At the tuned frequency, LC resonance occurs and the impedance of the filter reaches its minimum, which equals the value of the resistance.

The filter tuned frequency is defined by this equation:

$$f_1 = nf_0 = \frac{1}{2\pi\sqrt{LC}},$$

where f_1 and f_0 are the tuned and fundamental frequency, n is the harmonic order of the tuned frequency, L is the inductance and C is the capacitance.

The quality factor is defined as the ratio between the inductive or capacitive reactance at the tuned frequency and the resistance, as described by this equation:

$$Q_f = \frac{X_{LN}}{R} = \frac{X_{CN}}{R},$$

where:

- R is the resistance.

- X_{LN} is the impedance of the inductor at the tuned frequency $X_{LN} = 2\pi f_1 L$.
- X_{CN} is the impedance of the capacitor at the tuned frequency $X_{CN} = \frac{1}{2\pi f_1 C}$.

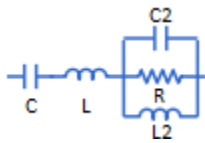
Higher quality factor values result in sharper frequencies. However, this produces high-power dissipation at the base frequency due to a relative low resistance.

The rated reactive power is given by:

$$Q_r = \frac{V^2}{X_{L0} - X_{C0}} = \frac{V^2}{\frac{X_{C0}}{n^2} - X_{C0}} = \frac{V^2}{X_{C0}} * \frac{n^2}{n^2 - 1},$$

where Q_r is the rated reactive power for one phase and V is the branch voltage in root mean square.

Band-Pass Filter, Double Tuned



A double-tuned filter has two tuned frequencies, f_1 and f_2 .

The double-tuned filter comprises a series LC and a parallel RCL circuit, each tuned at frequencies f_s and f_p , close to the mean geometric frequency of f_1 and f_2 , which are represented by the equation:

$$f_m = \sqrt{f_1 f_2} = \sqrt{f_s f_p},$$

where

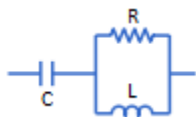
$$f_s = \frac{1}{2\pi\sqrt{LC}}$$

$$f_p = \frac{1}{2\pi\sqrt{L_2 C_2}}.$$

The quality factor of this filter is defined as the quality factor of the parallel R and L elements at the mean geometric frequency, f_m :

$$Q_f = \frac{R}{2\pi f_m L_2}.$$

High-Pass Filter, Second-Order



The second order high-pass filter shunts a large percentage of the harmonics at and above the tuned frequency. The filter is designed to have a flat impedance for high-order harmonics.

The tuned frequency is described by this equation:

$$f_1 = nf_0 = \frac{1}{2\pi\sqrt{LC}}.$$

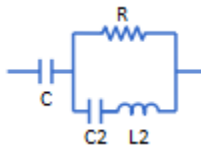
The quality factor is the reciprocal of the band-pass, single-tuned filter:

$$Q_f = \frac{R}{X_{LN}} = \frac{R}{X_{CN}}.$$

The rated reactive power is the same of the band-pass, single-tuned filter:

$$Q_r = \frac{V^2}{X_{L0} - X_{C0}} = \frac{V^2}{\frac{X_{C0}}{n^2} - X_{C0}} = \frac{V^2}{X_{C0}} * \frac{n^2}{n^2 - 1}.$$

High-Pass Filter, C-type



Compared to the single-tuned version, the C-type, high-pass filter has lower losses at the fundamental frequency, because the capacitor and inductor are parallel with the resistor.

To prevent fundamental currents from passing through the resistor, the resonance frequency of L_2 and C_2 is tuned to the fundamental frequency:

$$f_0 = \frac{1}{2\pi\sqrt{L_2C_2}}.$$

The quality factor is used to calculate the value of the resistance R by using this equation:

$$R = \frac{Q_f V^2}{nQ_r}.$$

Values of RCL Filter Components

	Single-Tuned	Double-Tuned	Second-Order, High-Pass	C-type, High-Pass
R	$\frac{1}{2\pi f_0 C Q_f}$	$2\pi f_m L_2 Q_f$	$2\pi n f_0 L Q_f$	$\frac{Q_f V^2}{n Q_r}$
L	$\frac{1}{C(2\pi n f_0)^2}$	$\frac{1}{C(2\pi f_s)^2}$	$\frac{1}{C(2\pi n f_0)^2}$	None

	Single-Tuned	Double-Tuned	Second-Order, High-Pass	C-type, High-Pass
C	$\frac{Q_r}{2\pi f_0 V^2} * \frac{n^2 - 1}{n^2}$	$\frac{Q_r}{2\pi f_0 V^2} * \frac{f_0^4 - f_0^2 f_1^2 + f_2^2}{f_s^2 - f_p^2} + f_p^2$	$\frac{Q_r}{2\pi f_0 V^2} * \frac{n^2 - 1}{n^2}$	$\frac{Q_r}{2\pi f_0 V^2}$
L ₂	None	$\frac{1}{C_2(2\pi f_p)^2}$	None	$\frac{1}{C_2(2\pi f_0)^2}$
C ₂	None	$C \left(\frac{f_1^2 + f_2^2 - f_p^2}{f_s^2} - 1 \right)$	None	$C(n^2 - 1)$

Ports

Conserving

~ – Three-phase voltage

electrical

Expandable three-phase port associated with the voltage.

Parameters

Rated reactive power – Reactive power

100e6 V*A (default)

Reactive power at rated frequency and voltage, in V*A.

Rated voltage (phase-to-phase RMS) – Phase-to-phase RMS Voltage

4160 V (default)

Rated phase-to-phase root mean squared (RMS) voltage, in V.

Rated frequency – Rated frequency

60 Hz (default)

Fundamental frequency, in Hz.

Quality factor – Quality factor

10 (default)

Index of the sharpness of the tuned frequency.

Filter type – Filter model

Band-pass filter, single-tuned (default) | Band-pass filter, double-tuned | High-pass filter, second-order | High-pass filter, C-type

Type of harmonic filter.

Dependencies

The **Tuned frequency** parameter becomes visible if you select Band-pass filter, single-tuned, High-pass filter, second-order, or High-pass filter, C-type for the **Filter type** parameter.

If you select Band-pass filter, double-tuned for the **Filter type** parameter, the **Tuned frequency 1** and **Tuned frequency 2** parameters become visible.

Filter connection – Connection type

Wye with neutral port (default) | Wye with floating neutral | Wye with grounded neutral | Delta

Type of connection

Tuned frequency – Tuned frequency

5 * 60 Hz (default)

Tuned frequency for the filter, in Hz.

Dependencies

This parameter is visible only when you select Band-pass filter, single-tuned, High-pass filter, second-order, or High-pass filter, C-type for the **Filter type** parameter.

Tuned frequency 1 – First tuned frequency

7 * 60 Hz (default)

First tuned frequency, in Hz.

Dependencies

This parameter is visible only when you select Band-pass filter, double-tuned for the **Filter type** parameter.

Tuned frequency 2 – Second tuned frequency

11 * 60 Hz (default)

Second tuned frequency, in Hz.

Dependencies

This parameter is visible only when you select Band-pass filter, double-tuned for the **Filter type** parameter.

Extended Capabilities**C/C++ Code Generation**

Generate C and C++ code using Simulink® Coder™.

See Also

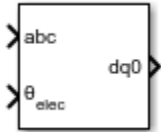
Floating Neutral (Three-Phase) | Grounded Neutral (Three-Phase) | Neutral Port (Three-Phase) | Three-Winding Transformer (Three-Phase) | Two-Winding Transformer (Three-Phase) | Wye-Connected Load

Introduced in R2019b

Park Transform

Implement abc to $dq0$ transform

Library: Simscape / Electrical / Control / Mathematical Transforms

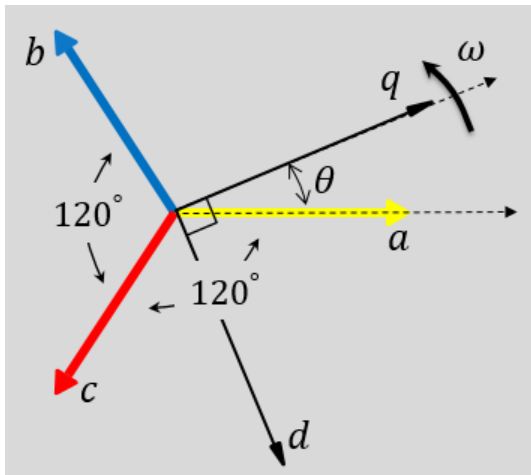


Description

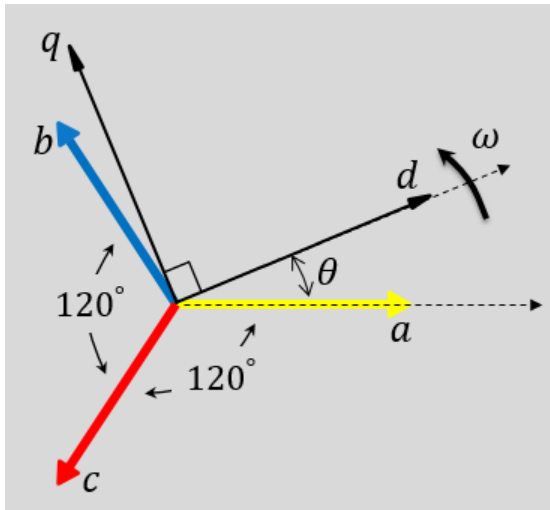
The Park Transform block converts the time-domain components of a three-phase system in an abc reference frame to direct, quadrature, and zero components in a rotating reference frame. The block can preserve the active and reactive powers with the powers of the system in the abc reference frame by implementing an invariant version of the Park transform. For a balanced system, the zero component is equal to zero.

You can configure the block to align the a -axis of the three-phase system to either the d - or q -axis of the rotating reference frame at time, $t = 0$. The figures show the direction of the magnetic axes of the stator windings in an abc reference frame and a rotating $dq0$ reference frame where:

- The a -axis and the q -axis are initially aligned.



- The a -axis and the d -axis are initially aligned.

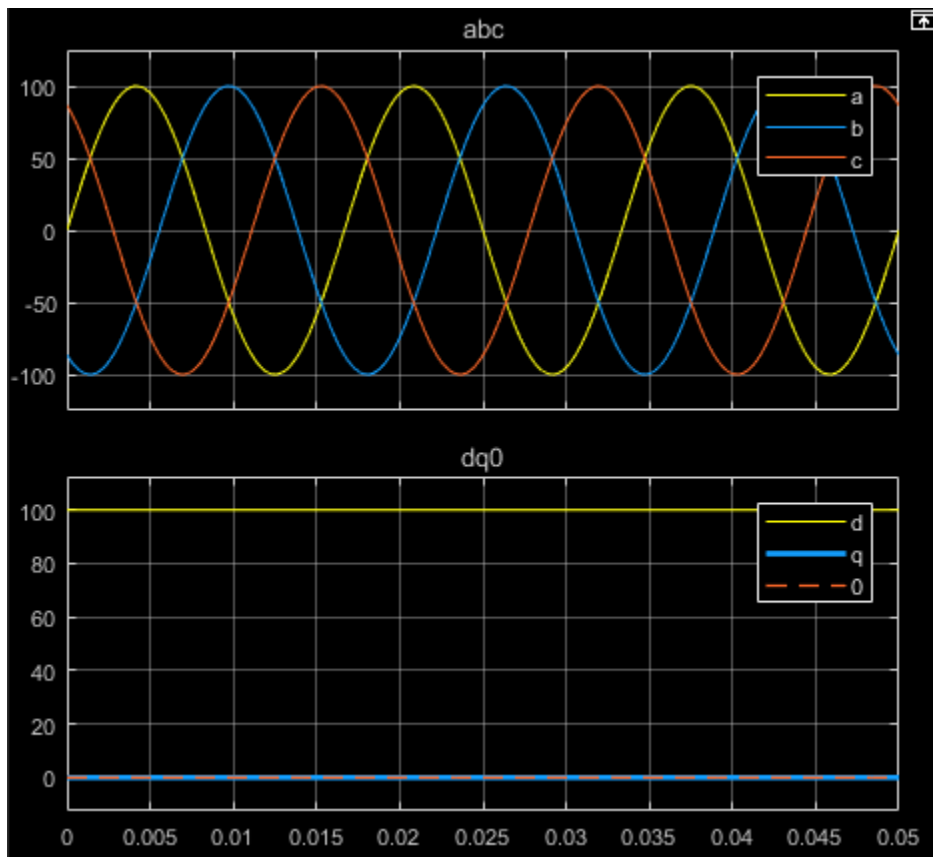


In both cases, the angle $\theta = \omega t$, where:

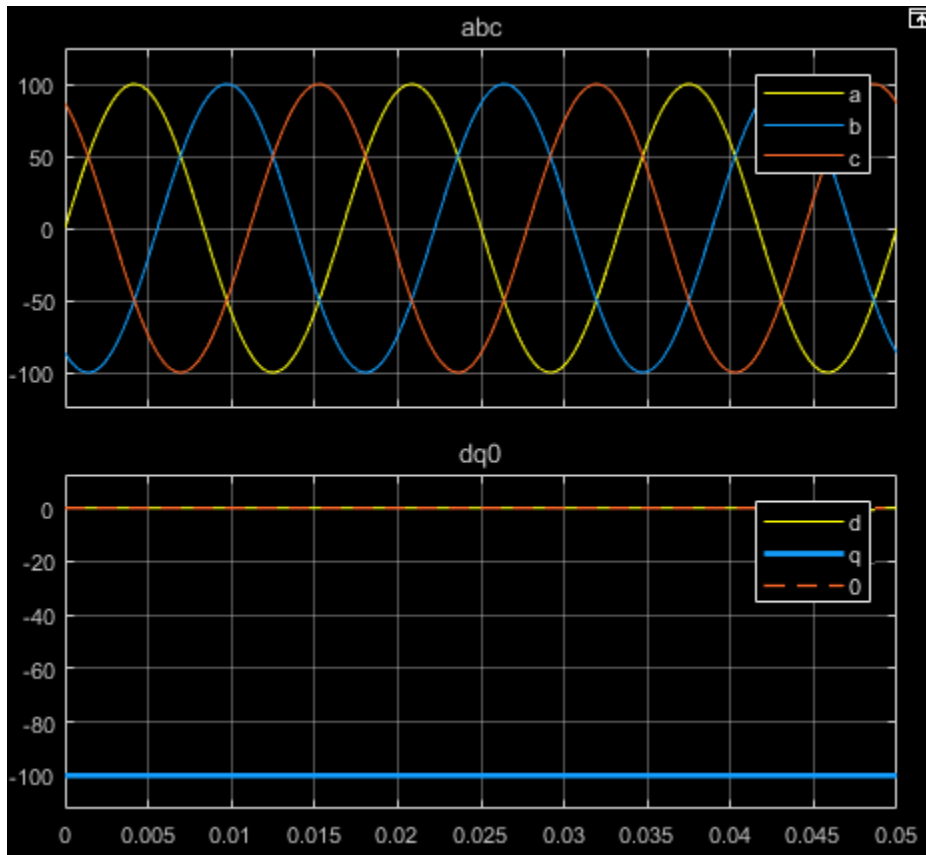
- θ is the angle between the a and q axes for the q -axis alignment or the angle between the a and d axes for the d -axis alignment.
- ω is the rotational speed of the d - q reference frame.
- t is the time, in s, from the initial alignment.

The figures show the time-response of the individual components of equivalent balanced abc and $dq0$ for an:

- Alignment of the a -phase vector to the q -axis



- Alignment of the a -phase vector to the d -axis



Equations

The Park Transform block implements the transform for an a -phase to q -axis alignment as

$$\begin{bmatrix} d \\ q \\ 0 \end{bmatrix} = \frac{2}{3} \begin{bmatrix} \sin(\theta) & \sin(\theta - \frac{2\pi}{3}) & \sin(\theta + \frac{2\pi}{3}) \\ \cos(\theta) & \cos(\theta - \frac{2\pi}{3}) & \cos(\theta + \frac{2\pi}{3}) \\ \frac{1}{2} & \frac{1}{2} & \frac{1}{2} \end{bmatrix} \begin{bmatrix} a \\ b \\ c \end{bmatrix},$$

where:

- a , b , and c are the components of the three-phase system in the abc reference frame.
- d and q are the components of the two-axis system in the rotating reference frame.
- 0 is the zero component of the two-axis system in the stationary reference frame.

For a power invariant a -phase to q -axis alignment, the block implements the transform using this equation:

$$\begin{bmatrix} d \\ q \\ 0 \end{bmatrix} = \sqrt{\frac{2}{3}} \begin{bmatrix} \sin(\theta) & \sin(\theta - \frac{2\pi}{3}) & \sin(\theta + \frac{2\pi}{3}) \\ \cos(\theta) & \cos(\theta - \frac{2\pi}{3}) & \cos(\theta + \frac{2\pi}{3}) \\ \frac{\sqrt{1}}{\sqrt{2}} & \frac{\sqrt{1}}{\sqrt{2}} & \frac{\sqrt{1}}{\sqrt{2}} \end{bmatrix} \begin{bmatrix} a \\ b \\ c \end{bmatrix}.$$

For an a -phase to d -axis alignment, the block implements the transform using this equation:

$$\begin{bmatrix} d \\ q \\ 0 \end{bmatrix} = \frac{2}{3} \begin{bmatrix} \cos(\theta) & \cos(\theta - \frac{2\pi}{3}) & \cos(\theta + \frac{2\pi}{3}) \\ -\sin(\theta) & -\sin(\theta - \frac{2\pi}{3}) & -\sin(\theta + \frac{2\pi}{3}) \\ \frac{1}{2} & \frac{1}{2} & \frac{1}{2} \end{bmatrix} \begin{bmatrix} a \\ b \\ c \end{bmatrix}.$$

The block implements a power invariant a -phase to d -axis alignment as

$$\begin{bmatrix} d \\ q \\ 0 \end{bmatrix} = \sqrt{\frac{2}{3}} \begin{bmatrix} \cos(\theta) & \cos(\theta - \frac{2\pi}{3}) & \cos(\theta + \frac{2\pi}{3}) \\ -\sin(\theta) & -\sin(\theta - \frac{2\pi}{3}) & -\sin(\theta + \frac{2\pi}{3}) \\ \sqrt{\frac{1}{2}} & \sqrt{\frac{1}{2}} & \sqrt{\frac{1}{2}} \end{bmatrix} \begin{bmatrix} a \\ b \\ c \end{bmatrix}.$$

Ports

Input

abc — a -, b -, and c -phase components

vector

Components of the three-phase system in the abc reference frame.

Data Types: single | double

θ_{abc} — Rotational angle

scalar | in radians

Angular position of the rotating reference frame. The value of this parameter is equal to the polar distance from the vector of the a -phase in the abc reference frame to the initially aligned axis of the $dq0$ reference frame.

Data Types: single | double

Output

dq0 — d - q axis and zero components

vector

Direct-axis and quadrature-axis components and the zero component of the system in the rotating reference frame.

Data Types: single | double

Parameters

Power Invariant — Power invariant transform

off (default) | on

Option to preserve the active and reactive power of the abc reference frame.

Phase-a axis alignment — $dq0$ reference frame alignment

Q-axis (default) | D-axis

Align the a -phase vector of the abc reference frame to the d - or q -axis of the rotating reference frame.

References

- [1] Krause, P., O. Wasynczuk, S. D. Sudhoff, and S. Pekarek. *Analysis of Electric Machinery and Drive Systems*. Piscatawy, NJ: Wiley-IEEE Press, 2013.

Extended Capabilities

C/C++ Code Generation

Generate C and C++ code using Simulink® Coder™.

See Also

Blocks

[Clarke Transform](#) | [Clarke to Park Angle Transform](#) | [Inverse Clarke Transform](#) | [Inverse Park Transform](#) | [Park to Clarke Angle Transform](#)

Introduced in R2017b

Peltier Device

Electrothermal converter

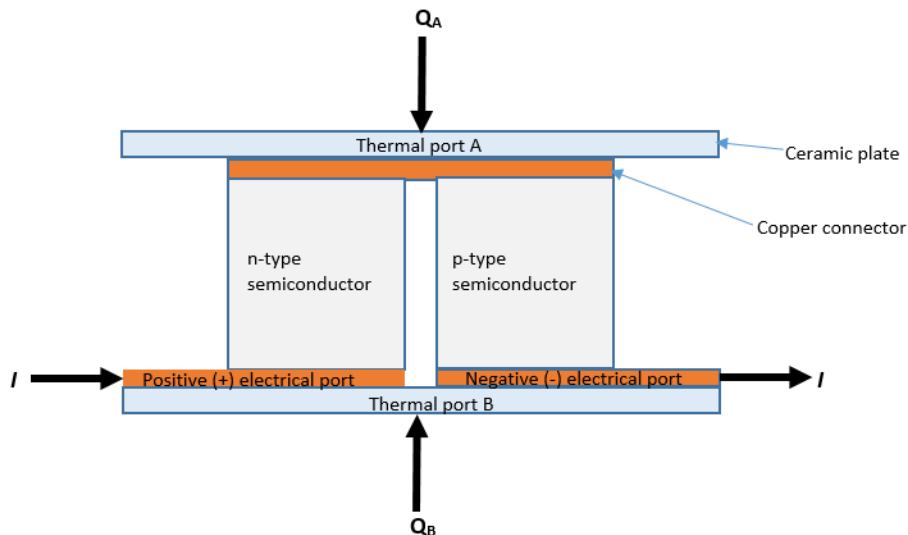
Library: Simscape / Electrical / Sensors & Transducers



Description

The Peltier Device block represents a converter between the electrical and thermal energy:

- With no current flowing, if the temperature presented at thermal port **B** is greater than the temperature presented at thermal port **A**, then there is a positive potential difference measured from the positive to the negative electrical port.
- When the block acts as a cooling device, a positive current causes heat to flow from port **A** to port **B**, cooling port **A** relative to port **B**.



The defining equations are:

$$Q_A = \alpha T_A I - \frac{1}{2} I^2 R + K(T_A - T_B)$$

$$Q_B = -\alpha T_B I - \frac{1}{2} I^2 R + K(T_B - T_A)$$

$$W = VI$$

$$W + Q_A + Q_B = 0$$

where:

- Q_A is heat flow into port **A**.
- Q_B is heat flow into port **B**.
- T_A is port **A** temperature.
- T_B is port **B** temperature.
- W is electrical power (positive when flowing into the block).
- V is potential difference across the + and - ports.
- I is electrical current, positive from + to - port.
- R is total electrical resistance.
- α is Seebeck coefficient.
- K is thermal conductance.

Substituting for powers and dividing all terms by current gives the electrical equation:

$$V = \alpha(T_B - T_A) + IR$$

The block has a logging variable `power_dissipated` (**Dissipated power**). This variable reports the DC electrical power, that is, the average electrical power over one AC cycle if you drive the device with an AC source. In terms of equations it is equal to the instantaneous value of I^2R and is useful in a cooling application to indicate the nonproductive portion of the heat flow. In a heating application, the interpretation of dissipated power is less useful.

Ports

Conserving

+ – Positive electrical port

electrical

Electrical conserving port associated with the positive terminal.

- – Negative electrical port

electrical

Electrical conserving port associated with the negative terminal.

A – Thermal port

thermal

Thermal conserving port. When the block acts as a cooling device, a positive current causes heat to flow from port **A** to port **B**, cooling port **A** relative to port **B**.

B – Thermal port

thermal

Thermal conserving port.

Parameters

Electrical

Seebeck coefficient – Thermoelectric sensitivity coefficient

220e-6 V/K (default)

Measure of the magnitude of an induced thermoelectric voltage in response to a temperature difference across that material.

Total electrical resistance – Resistance between the electrical ports

0.02 Ω (default)

Total electrical resistance between the + and - ports.

Thermal

Thermal conductance – Conductance between the thermal ports

1.5e-3 W/K (default)

Thermal conductance between the A and B ports.

Extended Capabilities

C/C++ Code Generation

Generate C and C++ code using Simulink® Coder™.

See Also

Introduced in R2018b

PMSM

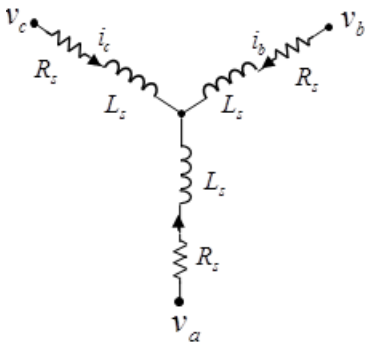
Permanent magnet synchronous motor with sinusoidal flux distribution

Library: Simscape / Electrical / Electromechanical / Permanent Magnet



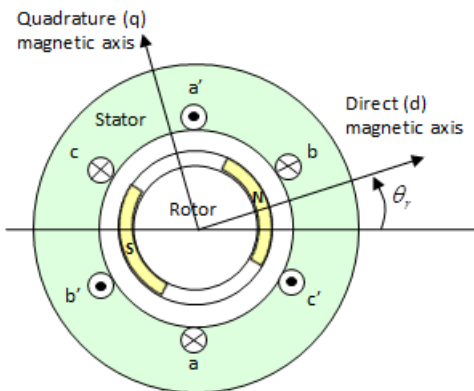
Description

The PMSM block models a permanent magnet synchronous motor with a three-phase wye-wound stator. The figure shows the equivalent electrical circuit for the stator windings.



Motor Construction

This figure shows the motor construction with a single pole-pair on the rotor.



Permanent magnets generate a rotor magnetic field that creates a sinusoidal rate of change of flux with rotor angle.

For the axes convention in the preceding figure, the *a*-phase and permanent magnet fluxes are aligned when rotor mechanical angle, θ_r , is zero. The block supports a second rotor axis definition in

which rotor mechanical angle is defined as the angle between the a -phase magnetic axis and the rotor q -axis.

Equations

Voltages across the stator windings are defined by:

$$\begin{bmatrix} v_a \\ v_b \\ v_c \end{bmatrix} = \begin{bmatrix} R_s & 0 & 0 \\ 0 & R_s & 0 \\ 0 & 0 & R_s \end{bmatrix} \begin{bmatrix} i_a \\ i_b \\ i_c \end{bmatrix} + \begin{bmatrix} \frac{d\psi_a}{dt} \\ \frac{d\psi_b}{dt} \\ \frac{d\psi_c}{dt} \end{bmatrix},$$

where:

- v_a , v_b , and v_c are the individual phase voltages across the stator windings.
- R_s is the equivalent resistance of each stator winding.
- i_a , i_b , and i_c are the currents flowing in the stator windings.
- $\frac{d\psi_a}{dt}$, $\frac{d\psi_b}{dt}$, and $\frac{d\psi_c}{dt}$ are the rates of change of magnetic flux in each stator winding.

The permanent magnet and the three windings contribute to the total flux linking each winding. The total flux is defined by:

$$\begin{bmatrix} \psi_a \\ \psi_b \\ \psi_c \end{bmatrix} = \begin{bmatrix} L_{aa} & L_{ab} & L_{ac} \\ L_{ba} & L_{bb} & L_{bc} \\ L_{ca} & L_{cb} & L_{cc} \end{bmatrix} \begin{bmatrix} i_a \\ i_b \\ i_c \end{bmatrix} + \begin{bmatrix} \psi_{am} \\ \psi_{bm} \\ \psi_{cm} \end{bmatrix},$$

where:

- ψ_a , ψ_b , and ψ_c are the total fluxes linking each stator winding.
- L_{aa} , L_{bb} , and L_{cc} are the self-inductances of the stator windings.
- L_{ab} , L_{ac} , L_{ba} , and so on, are the mutual inductances of the stator windings.
- ψ_{am} , ψ_{bm} , and ψ_{cm} are the permanent magnet fluxes linking the stator windings.

The inductances in the stator windings are functions of rotor electrical angle, defined by:

$$\theta_e = N\theta_r + \text{rotor offset}$$

$$L_{aa} = L_s + L_m \cos(2\theta_e),$$

$$L_{bb} = L_s + L_m \cos(2(\theta_e - 2\pi/3)),$$

$$L_{cc} = L_s + L_m \cos(2(\theta_e + 2\pi/3)),$$

$$L_{ab} = L_{ba} = -M_s - L_m \cos(2(\theta_e + \pi/6)),$$

$$L_{bc} = L_{cb} = -M_s - L_m \cos(2(\theta_e + \pi/6 - 2\pi/3)),$$

and

$$L_{ca} = L_{ac} = -M_s - L_m \cos(2(\theta_e + \pi/6 + 2\pi/3)),$$

where:

- θ_r is the rotor mechanical angle.
- θ_e is the rotor electrical angle.
- *rotor offset* is θ if you define the rotor electrical angle with respect to the d-axis, or $-\pi/2$ if you define the rotor electrical angle with respect to the q-axis.
- L_s is the stator self-inductance per phase. This value is the average self-inductance of each of the stator windings.
- L_m is the stator inductance fluctuation. This value is the fluctuation in self-inductance and mutual inductance with changing rotor angle.
- M_s is the stator mutual inductance. This value is the average mutual inductance between the stator windings.

The permanent magnet flux linking winding a is a maximum when $\theta_e = 0^\circ$ and zero when $\theta_e = 90^\circ$. Therefore, the linked motor flux is defined by:

$$\begin{bmatrix} \psi_{am} \\ \psi_{bm} \\ \psi_{cm} \end{bmatrix} = \begin{bmatrix} \psi_m \cos \theta_e \\ \psi_m \cos(\theta_e - 2\pi/3) \\ \psi_m \cos(\theta_e + 2\pi/3) \end{bmatrix}$$

where ψ_m is the permanent magnet flux linkage.

Simplified Electrical Equations

Applying Park's transformation to the block electrical equations produces an expression for torque that is independent of the rotor angle.

Park's transformation is defined by:

$$P = 2/3 \begin{bmatrix} \cos \theta_e & \cos(\theta_e - 2\pi/3) & \cos(\theta_e + 2\pi/3) \\ -\sin \theta_e & -\sin(\theta_e - 2\pi/3) & -\sin(\theta_e + 2\pi/3) \\ 0.5 & 0.5 & 0.5 \end{bmatrix}$$

where θ_e is the electrical angle defined as $N\theta_r$. N is the number of pole pairs.

Using Park's transformation on the stator winding voltages and currents transforms them to the dq0 frame, which is independent of the rotor angle:

$$\begin{bmatrix} v_d \\ v_q \\ v_0 \end{bmatrix} = P \begin{bmatrix} v_a \\ v_b \\ v_c \end{bmatrix}$$

and

$$\begin{bmatrix} i_d \\ i_q \\ i_0 \end{bmatrix} = P \begin{bmatrix} i_a \\ i_b \\ i_c \end{bmatrix}.$$

Applying Park's transformation to the first two electrical equations produces the following equations that define the block behavior:

$$v_d = R_s i_d + L_d \frac{di_d}{dt} - N\omega i_q L_q,$$

$$v_q = R_s i_q + L_q \frac{di_q}{dt} + N\omega(i_d L_d + \psi_m),$$

$$v_0 = R_s i_0 + L_0 \frac{di_0}{dt},$$

and

$$T = \frac{3}{2} N (i_q (i_d L_d + \psi_m) - i_d i_q L_q),$$

where:

- $L_d = L_s + M_s + 3/2 L_m$. L_d is the stator d -axis inductance.
- $L_q = L_s + M_s - 3/2 L_m$. L_q is the stator q -axis inductance.
- $L_0 = L_s - 2M_s$. L_0 is the stator zero-sequence inductance.
- ω is the rotor mechanical rotational speed.
- N is the number of rotor permanent magnet pole pairs.
- T is the rotor torque. Torque flows from the motor case (block physical port C) to the motor rotor (block physical port R).

The PMSM block uses the original, non-orthogonal implementation of the Park transform. If you try to apply the alternative implementation, you get different results for the dq0 voltage and currents.

Alternative Flux Linkage Parameterization

You can parameterize the motor using the back EMF or torque constants which are more commonly given on motor datasheets by using the **Permanent magnet flux linkage** option.

The back EMF constant is defined as the peak voltage induced by the permanent magnet in each of the phases per unit rotational speed. It is related to peak permanent magnet flux linkage by:

$$k_e = N\psi_m.$$

From this definition, it follows that the back EMF e_{ph} for one phase is given by:

$$e_{ph} = k_e \omega.$$

The torque constant is defined as the peak torque induced by each of the phases per unit current. It is numerically identical in value to the back EMF constant when both are expressed in SI units:

$$k_t = N\psi_m.$$

When $L_d = L_q$, and when the currents in all three phases are balanced, it follows that the combined torque T is given by:

$$T = \frac{3}{2} k_t i_q = \frac{3}{2} k_t I_{pk},$$

where I_{pk} is the peak current in any of the three windings.

The factor 3/2 follows from this being the steady-state sum of the torques from all phases. Therefore the torque constant k_t could also be defined as:

$$k_t = \frac{2}{3} \left(\frac{T}{I_{pk}} \right),$$

where T is the measured total torque when testing with a balanced three-phase current with peak line voltage I_{pk} . Writing in terms of RMS line current:

$$k_t = \frac{\sqrt{2}}{3} \frac{T}{i_{line, rms}}.$$

Calculating Iron Losses

Iron losses are divided into two terms, one representing the main magnetizing path, and the other representing the cross-tooth tip path that becomes active during field weakened operation. The iron losses model, which is based on the work of Mellor [3].

The term representing the main magnetizing path depends on the induced RMS line-to-neutral stator voltage, $V_{m_{rms}}$:

$$P_{OC}(V_{m_{rms}}) = \frac{a_h}{k} V_{m_{rms}} + \frac{a_j}{k^2} V_{m_{rms}}^2 + \frac{a_{ex}}{k^{1.5}} V_{m_{rms}}^{1.5}$$

This is the dominant term during no-load operation. k is the back emf constant relating RMS volts per Hz. It is defined as $k = V_{m_{rms}}/f$, where f is the electrical frequency. The first term on the right-hand side is the magnetic hysteresis loss, the second is the eddy current loss and the third is the excess loss. The three coefficients appearing on the numerators are derived from the values that you provide for the open-circuit hysteresis, eddy, and excess losses.

The term representing the cross-tooth tip path becomes important when a demagnetizing field is set up and can be determined from a finite element analysis short-circuit test. It depends on the RMS emf associated with the cross-tooth tip flux, $V_{d_{rms}}^*$:

$$P_{SC}(V_{d_{rms}}^*) = \frac{b_h}{k} V_{d_{rms}}^* + \frac{b_j}{k^2} V_{d_{rms}}^{*2} + \frac{b_{ex}}{k^{1.5}} V_{d_{rms}}^{*1.5}$$

The three numerator terms are derived from the values you provide for the short-circuit hysteresis, eddy, and excess losses.

Thermal Ports

The block has four optional thermal ports, one for each of the three windings and one for the rotor. These ports are hidden by default. To expose the thermal ports, right-click the block in your model, select **Simscape > Block choices**, and then select the desired block variant with thermal ports: **Composite three-phase ports | Show thermal port** or **Expanded three-phase ports | Show thermal port**. This action displays the thermal ports on the block icon, and exposes the **Temperature Dependence** and **Thermal Port** parameters. These parameters are described further on this reference page.

Use the thermal ports to simulate the effects of copper resistance and iron losses that convert electrical power to heat. For more information on using thermal ports in actuator blocks, see “Simulating Thermal Effects in Rotational and Translational Actuators”.

Variables

Use the **Variables** settings to specify the priority and initial target values for the block variables before simulation. For more information, see “Set Priority and Initial Target for Block Variables”.

Ports

Conserving

~ — Three-phase port

electrical

Expandable three-phase port.

n — Neutral phase

electrical

Electrical conserving port associated with the neutral phase.

R — Motor rotor

mechanical

Mechanical rotational conserving port associated with the motor rotor.

C — Motor case

mechanical

Mechanical rotational conserving port associated with the motor case.

HA — Winding A thermal port

thermal

Thermal conserving port associated with winding A. For more information, see “Thermal Ports” on page 1-1066.

HB — Winding B thermal port

thermal

Thermal conserving port associated with winding B. For more information, see “Thermal Ports” on page 1-1066.

HC — Winding C thermal port

thermal

Thermal conserving port associated with winding C. For more information, see “Thermal Ports” on page 1-1066.

HR — Rotor thermal port

thermal

Thermal conserving port associated with the rotor. For more information, see “Thermal Ports” on page 1-1066.

Parameters

Main

Winding type — Windings configuration

Wye-wound (default) | Delta-wound

Select the configuration for the windings:

- Wye-wound — The windings are wye-wound.
- Delta-wound — The windings are delta-wound. The *a*-phase is connected between ports **a** and **b**, the *b*-phase between ports **b** and **c** and the *c*-phase between ports **c** and **a**.

Modeling fidelity — Modeling fidelity

Constant Ld, Lq and PM (default) | Tabulated Ld, Lq and PM

Select the modeling fidelity:

- Constant Ld, Lq and PM — *Ld*, *Lq* and *PM* values are constant and defined by their respective parameters.
- Tabulated Ld, Lq and PM — *Ld*, *Lq* and *PM* values are computed online from DQ currents look-up tables as follows:

$$L_d = f_1(i_d, i_q)$$

$$L_q = f_2(i_d, i_q)$$

$$\lambda_{PM} = f_3(i_d, i_q)$$

Dependencies

To enable this parameter, set **Stator parameterization** to Specify Ld, Lq, and L0.

Number of pole pairs — Number of pole pairs

6 (default)

Number of permanent magnet pole pairs on the rotor.

Permanent magnet flux linkage parameterization — Permanent magnet flux linkage parameterization

Specify flux linkage (default) | Specify torque constant | Specify back EMF constant

Choose Specify flux linkage, Specify torque constant, or Specify back EMF constant.

Permanent magnet flux linkage — Permanent magnet flux linkage

0.03 Wb (default)

Peak permanent magnet flux linkage with any of the stator windings.

Dependencies

To enable this parameter, set **Permanent magnet flux linkage parameterization** to Specify flux linkage and **Modeling fidelity** to Constant Ld, Lq and PM.

Torque constant — Torque constant

0.18 N*m/A (default)

Torque constant with any of the stator windings.

Dependencies

To enable this parameter, set **Permanent magnet flux linkage parameterization** to Specify torque constant and **Modeling fidelity** to Constant Ld, Lq and PM.

Back EMF constant — Back EMF constant

0.18 V*s/rad (default)

Back EMF constant with any of the stator windings.

Dependencies

To enable this parameter, set **Permanent magnet flux linkage parameterization** to Specify back EMF constant and **Modeling fidelity** to Constant Ld, Lq and PM.

Stator parameterization — Stator parameterizationSpecify Ld, Lq, and L θ (default) | Specify Ls, Lm, and MsChoose Specify Ld, Lq, and L θ or Specify Ls, Lm, and Ms.**Stator d-axis inductance, Ld — Stator d-axis inductance**

0.00022 H (default)

D-axis inductance.

Dependencies

To enable this parameter, set **Stator parameterization** to Specify Ld, Lq, and L θ and **Modeling fidelity** to Constant Ld, Lq and PM.

Stator q-axis inductance, Lq — Stator q-axis inductance

0.00022 H (default)

Q-axis inductance.

Dependencies

To enable this parameter, set **Stator parameterization** to Specify Ld, Lq, and L θ and **Modeling fidelity** to Constant Ld, Lq and PM.

Direct-axis current vector, iD — Direct-axis current vector

[-200, 0, 200] A (default)

Direct-axis current vector, iD.

Dependencies

To enable this parameter, set **Stator parameterization** to Specify Ld, Lq, and L θ and **Modeling fidelity** to Tabulated Ld, Lq and PM.

Quadrature-axis current vector, iQ — Quadrature-axis current vector

[-200, 0, 200] A (default)

Quadrature-axis current vector, i_Q .

Dependencies

To enable this parameter, set **Stator parameterization** to Specify Ld, Lq, and L0 and **Modeling fidelity** to Tabulated Ld, Lq and PM.

Ld matrix, $L_d(i_d, i_q)$ – Ld matrix

$0.0002 * \text{ones}(3, 3)$ H (default)

Ld matrix.

Dependencies

To enable this parameter, set **Stator parameterization** to Specify Ld, Lq, and L0 and **Modeling fidelity** to Tabulated Ld, Lq and PM.

Lq matrix, $L_q(i_d, i_q)$ – Lq matrix

$0.0002 * \text{ones}(3, 3)$ H (default)

Lq matrix.

Dependencies

To enable this parameter, set **Stator parameterization** to Specify Ld, Lq, and L0 and **Modeling fidelity** to Tabulated Ld, Lq and PM.

Permanent magnet flux linkage, $PM(i_d, i_q)$ – Permanent magnet flux linkage

$0.1 * \text{ones}(3, 3)$ Wb (default)

Permanent magnet flux linkage.

Dependencies

To enable this parameter, set:

- **Stator parameterization** to Specify Ld, Lq, and L0
- **Modeling fidelity** to Tabulated Ld, Lq and PM
- **Permanent magnet flux linkage parameterization** to Specify flux linkage

Torque constant matrix, $kt(i_d, i_q)$ – Force constant matrix

$0.18 * \text{ones}(3, 3)$ N*m/A (default)

Torque constant matrix.

Dependencies

To enable this parameter, set:

- **Stator parameterization** to Specify Ld, Lq, and L0
- **Modeling fidelity** to Tabulated Ld, Lq and PM
- **Permanent magnet flux linkage parameterization** to Specify torque constant

Back EMF constant matrix, $ke(i_d, i_q)$ – Permanent magnet flux linkage

$0.18 * \text{ones}(3, 3)$ V/(rad/s) (default)

Back EMF constant matrix.

Dependencies

To enable this parameter, set:

- **Stator parameterization** to Specify Ld, Lq, and L0
- **Modeling fidelity** to Tabulated Ld, Lq and PM
- **Permanent magnet flux linkage parameterization** to Specify back EMF constant

Stator zero-sequence inductance, L0 — Stator zero-sequence inductance

0.00016 H (default)

Zero-sequence inductance.

Dependencies

To enable this parameter either:

- Set **Winding Type** to Wye-wound, **Zero sequence** to Include, and **Stator parameterization** to Specify Ld, Lq, and L0.
- Set **Winding Type** to Delta-wound and **Stator parameterization** to Specify Ld, Lq, and L0.

Stator self-inductance per phase, Ls — Stator self-inductance per phase

0.0002 H (default)

Average self-inductance of each of the three stator windings.

Dependencies

To enable this parameter, set **Stator parameterization** to Specify Ls, Lm, and Ms.

Stator inductance fluctuation, Lm — Stator inductance fluctuation

-0.0002 H (default)

Fluctuation in self-inductance and mutual inductance of the stator windings with rotor angle.

Dependencies

To enable this parameter, set **Stator parameterization** to Specify Ls, Lm, and Ms.

Stator mutual inductance, Ms — Stator mutual inductance

0.00002 H (default)

Average mutual inductance between the stator windings.

Dependencies

To enable this parameter, set **Stator parameterization** to Specify Ls, Lm, and Ms.

Stator resistance per phase, Rs — Stator resistance per phase

0.013 Ohm (default)

Resistance of each of the stator windings.

Zero sequence — Zero sequence option

Include (default) | Exclude

Option to include or exclude zero-sequence terms.

- **InclUde** — Include zero-sequence terms. To prioritize model fidelity, use this default setting. Using this option:
 - Results in an error for simulations that use the Partitioning solver. For more information, see “Increase Simulation Speed Using the Partitioning Solver”.
 - Exposes a zero-sequence parameter in the **Impedances** settings.
- **ExclUde** — Exclude zero-sequence terms. To prioritize simulation speed for desktop simulation or real-time deployment, select this option.

Dependencies

This parameter is visible only when you set the **Winding Type** parameter to Wye-wound.

Rotor angle definition — Reference point for the rotor angle measurement

Angle between the a-phase magnetic axis and the d-axis (default) | Angle between the a-phase magnetic axis and the q-axis

Reference point for the rotor angle measurement. The default value is Angle between the a-phase magnetic axis and the d-axis. This definition is shown in the “Motor Construction” on page 1-1062 figure. When you select this value, the rotor and a-phase fluxes are aligned when the rotor angle is zero.

The other value you can choose for this parameter is Angle between the a-phase magnetic axis and the q-axis. When you select this value, the a-phase current generates maximum torque when the rotor angle is zero.

Iron Losses

Iron-loss — Enable iron losses computation

None (default) | Empirical

Specify the iron losses computational model.

Open-circuit iron losses, [P_hysteresis P_eddy P_excess] — Open-circuit iron losses

[0, 0, 0] W (default)

Row vector, of length 3, of the open-circuit iron losses due to hysteresis, Eddy, and excess losses, respectively, at the frequency specified by **Electrical frequency at which losses determined**.

Dependencies

To enable this parameter, set **Iron-loss** to Empirical.

Short-circuit iron losses, [P_hysteresis P_eddy P_excess] — Short-circuit iron losses

[0, 0, 0] W (default)

Row vector, of length 3, of the short-circuit iron losses due to hysteresis, Eddy, and excess losses, respectively, at the frequency specified by **Electrical frequency at which losses determined**.

Dependencies

To enable this parameter, set **Iron-loss** to Empirical.

Electrical frequency at which losses determined – Electrical frequency at which losses determined

60 Hz (default)

Electrical frequency at which the open-circuit and short-circuit iron losses were measured.

Dependencies

To enable this parameter, set **Iron-loss** to *Empirical*.

Short-circuit RMS current for short-circuit iron losses – Short-circuit RMS current for short-circuit iron losses

95 A (default)

The resulting short-circuit RMS phase current when measuring the short-circuit losses.

Dependencies

To enable this parameter, set **Iron-loss** to *Empirical*.

Mechanical**Rotor inertia – Rotor inertia**0.01 kg*m² (default)

Inertia of the rotor attached to mechanical translational port **R**. The value can be zero.

Rotor damping – Rotor damping

0 N*m/(rad/s) (default)

Rotary damping.

Temperature Dependence

These parameters appear only for blocks with exposed thermal ports. For more information, see “Thermal Ports” on page 1-1066.

Measurement temperature – Measurement temperature

298.15 K (default)

The temperature for which motor parameters are quoted.

Resistance temperature coefficient – Resistance temperature coefficient

3.93e-3 1/K (default)

Coefficient α in the equation relating resistance to temperature, as described in “Thermal Model for Actuator Blocks”. The default value is for copper.

Permanent magnet flux temperature coefficient – Permanent magnet flux temperature coefficient

-0.001 1/K (default)

The fractional rate of change of permanent magnet flux density with temperature. It is used to linearly reduce the torque and the induced back EMF as temperature rises.

Thermal Port

These parameters appear only for blocks with exposed thermal ports. For more information, see “Thermal Ports” on page 1-1066.

Thermal mass for each stator winding — Thermal mass for each stator winding

100 J/K (default)

The thermal mass value for the A, B, and C windings. The thermal mass is the energy required to raise the temperature by one degree.

Rotor thermal mass — Rotor thermal mass

200 J/K (default)

The thermal mass of the rotor, that is, the energy required to raise the temperature of the rotor by one degree.

Percentage of main flux path iron losses associated with the rotor — Percentage of main flux path iron losses associated with the rotor

90 (default)

The percentage of the main flux path iron losses associated with the magnetic path through the rotor. It determines how much of the iron loss heating is attributed to the rotor thermal port **HR**, and how much is attributed to the three winding thermal ports **HA**, **HB**, and **HC**.

Dependencies

To enable this parameter, set **Iron-loss** to `Empirical`.

Percentage of cross-tooth flux path iron losses associated with the rotor — Percentage of cross-tooth flux path iron losses associated with the rotor

30 (default)

The percentage of the cross-tooth flux path iron losses associated with the magnetic path through the rotor. It determines how much of the iron loss heating is attributed to the rotor thermal port **HR**, and how much is attributed to the three winding thermal ports **HA**, **HB**, and **HC**.

Dependencies

To enable this parameter, set **Iron-loss** to `Empirical`.

References

- [1] Kundur, P. *Power System Stability and Control*. New York, NY: McGraw Hill, 1993.
- [2] Anderson, P. M. *Analysis of Faulted Power Systems*. Hoboken, NJ: Wiley-IEEE Press, 1995.
- [3] Mellor, P.H., R. Wrobel, and D. Holliday. “A computationally efficient iron loss model for brushless AC machines that caters for rated flux and field weakened operation.” *IEEE Electric Machines and Drives Conference*. May 2009.

Extended Capabilities

C/C++ Code Generation

Generate C and C++ code using Simulink® Coder™.

See Also

Simscape Blocks

BLDC | Hybrid Excitation PMSM

Blocks

BLDC Commutation Logic | BLDC Current Controller | BLDC Current Controller with PWM Generation

Topics

“Expand and Collapse Three-Phase Ports on a Block”

Introduced in R2013b

Phase Permute

Permute phases of three-phase system

Library: Simscape / Electrical / Connectors & References



Description

The Phase Permute block cyclically permutes (changes the order of) the phases of a three-phase system.

The block has two three-phase connections associated with its terminals. If you consider the side of the block labeled **~123** (**a1, b1, c1** in expanded view) as side 1 and the side of the block labeled **~231** (**a2, b2, c2**) as side 2, then the block connects phases as shown in the table.

Side 1 Phase	Connects to Side 2 Phase
<i>a1</i>	<i>c2</i>
<i>b1</i>	<i>a2</i>
<i>c1</i>	<i>b2</i>

Ports

Conserving

~123 — Expandable three-phase port

electrical

Expandable composite (**a1, b1, c1**) three-phase port

~231 — Expandable three-phase port

electrical

Expandable composite (**a2, b2, c2**) three-phase port

Extended Capabilities

C/C++ Code Generation

Generate C and C++ code using Simulink® Coder™.

See Also

Phase Splitter

Introduced in R2013b

Phase Splitter

Expand or combine three electrical conserving ports

Library: Simscape / Electrical / Connectors & References



Description

The Phase Splitter block expands a composite three-phase port into its constituent phases.

The expanded output ports are electrical conserving ports.

Ports

Conserving

~ — Expandable three-phase port

electrical

Expandable composite (a2,b2, c2) three-phase port

a, b, c — Constituent phases

electrical

Constituent phases of the expanded three-phase port

Extended Capabilities

C/C++ Code Generation

Generate C and C++ code using Simulink® Coder™.

See Also

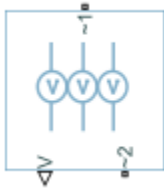
Phase Permute

Introduced in R2013b

Phase Voltage Sensor (Three-Phase)

Ideal three-phase phase voltage measurement

Library: Simscape / Electrical / Sensors & Transducers



Description

The Phase Voltage Sensor (Three-Phase) block represents an ideal three-phase voltage sensor. It measures the voltages across the three-phase ports **~1** and **~2** and outputs a single three-element, physical signal vector. Each element of the physical signal output vector is equal to the voltage in the respective phase.

Note You must connect the Phase Voltage Sensor (Three-Phase) block in shunt or in parallel with the three-phase element. For more information on how to use this block, see “Build and Simulate Composite and Expanded Three-Phase Models”.

Ports

Output

V – Three-elements vector

physical signal

Three-element physical signal vector output port associated with the phase voltages

Conserving

~1 – Three-phase port

electrical

Expandable three-phase port.

~2 – Three-phase port

electrical

Expandable three-phase port.

Extended Capabilities

C/C++ Code Generation

Generate C and C++ code using Simulink® Coder™.

See Also

Line Voltage Sensor (Three-Phase)

Topics

“Build and Simulate Composite and Expanded Three-Phase Models”

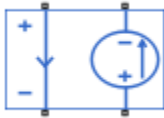
“Expand and Collapse Three-Phase Ports on a Block”

Introduced in R2013b

PCCCS

Polynomial current-controlled current source

Library: Simscape / Electrical / Additional Components / SPICE Sources



Description

The PCCCS (Polynomial Current-Controlled Current Source) block represents a current source whose output current value is a polynomial function of the current through the input ports. The following equations describe the current through the source as a function of time:

- If you specify an n -element vector of polynomial coefficients for the **Polynomial coefficients** parameter:

$$I_{out} = p(0) + p(1) * I_{in} + \dots + p(n - 1) * I_{in}^{n - 1} + p(n) * I_{in}^n$$

- If you specify a scalar coefficient for the **Polynomial coefficients** parameter:

$$I_{out} = p * I_{in}$$

where:

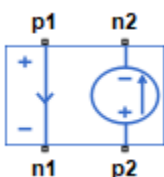
- I_{in} is the current through the input ports.
- p is the **Polynomial coefficients** parameter value.

The block uses a small conductance internally to prevent numerical simulation issues. The conductance connects the output ports of the device and has a conductance $GMIN$:

- By default, $GMIN$ matches the **GMIN** parameter of the Environment Parameters block, whose default value is $1e-12$.
- To change $GMIN$, add an Environment Parameters block to your model and set the **GMIN** parameter to the desired value.

Ports

Refer to the figure for port locations.



Conserving

p1 – Positive voltage of the controlling input

electrical

Electrical conserving port associated with the PCCCS positive voltage of the controlling input.

n1 – Negative voltage of the controlling input

electrical

Electrical conserving port associated with the PCCCS negative voltage of the controlling input.

p2 – Positive output voltage

electrical

Electrical conserving port associated with the PCCCS positive output voltage.

n2 – Negative output voltage

electrical

Electrical conserving port associated with the PCCCS negative output voltage.

Parameters

Polynomial coefficients – Polynomial coefficients

[0, 1] (default)

Polynomial coefficients that relate the input current to the output current, as described in the preceding section.

Include parallel conductance, GMIN – Whether to include parallel conductance

Yes (default) | No

Specify if the current source includes a parallel conductance. The value of the parallel conductance, *GMIN*, depends on whether your model contains an Environment Parameters block.

This table shows the possible values of the parallel conductance, *GMIN*:

Values of parallel conductance, GMIN

Include parallel conductance, GMIN		
Yes		No
Model contains Environment Parameters block	Model does not contain Environment Parameters block	Parallel conductance, <i>GMIN</i> , is not included and it does not affect the current source.
<i>GMIN</i> is equal to the value of the GMIN parameter in the Environment Parameters block.	<i>GMIN</i> = 1e-12 Ohm	

Extended Capabilities

C/C++ Code Generation

Generate C and C++ code using Simulink® Coder™.

See Also

Simscape Blocks

Environment Parameters | PCCCS2 | PCCVS | PCCVS2 | PVCCS | PVCCS2 | PVCVS | PVCVS2

Functions

subcircuit2ssc

Topics

“Additional Parameterization Workflows”

“Converting a SPICE Netlist to Simscape Blocks”

“Parameterize an Exponential Diode from SPICE Netlist”

Introduced in R2008a

PCCCS2

Polynomial current-controlled current source with two controlling inputs

Library: Simscape / Electrical / Additional Components / SPICE Sources



Description

The PCCCS2 (Two-Input Polynomial Current-Controlled Current Source) block represents a current source whose output current value is a polynomial function of the currents through the pairs of controlling input ports. This equation describes the current through the source as a function of time:

$$I_{out} = p_1 + p_2 * I_{in1} + p_3 * I_{in2} + p_4 * I_{in1}^2 + p_5 I_{in1} * I_{in2} + p_6 * I_{in2}^2 + \dots$$

where:

- I_{in1} is the current through the first pair of input ports.
- I_{in2} is the current through the second pair of input ports.
- p is the **Polynomial coefficients** parameter value.

The block uses a small conductance internally to prevent numerical simulation issues. The conductance connects the output ports of the device and has a conductance $GMIN$:

- By default, $GMIN$ matches the **GMIN** parameter of the Environment Parameters block, whose default value is $1e-12$.
- To change $GMIN$, add an Environment Parameters block to your model and set the **GMIN** parameter to the desired value.

Ports

Conserving

1+ — Positive voltage of the first controlling input

electrical

Electrical conserving port associated with the PCCCS2 positive voltage of the first controlling input.

1- — Negative voltage of the first controlling input

electrical

Electrical conserving port associated with the PCCCS2 negative voltage of the first controlling input.

2+ — Positive voltage of the second controlling input

electrical

Electrical conserving port associated with the PCCCS2 positive voltage of the second controlling input.

2- – Negative voltage of the second controlling input

electrical

Electrical conserving port associated with the PCCCS2 negative voltage of the second controlling input.

+ – Positive output voltage

electrical

Electrical conserving port associated with the PCCCS2 positive output voltage.

- – Negative output voltage

electrical

Electrical conserving port associated with the PCCCS2 negative output voltage.

Parameters

Polynomial coefficients – Polynomial coefficients

[0 1 1] (default)

Polynomial coefficients that relate the input current to the output current, as described in the preceding section.

Include parallel conductance, GMIN – Whether to include parallel conductance

Yes (default) | No

Specify if the current source includes a parallel conductance. The value of the parallel conductance, *GMIN*, depends on whether your model contains an Environment Parameters block.

This table shows the possible values of the parallel conductance, *GMIN*:

Values of parallel conductance, GMIN

Include parallel conductance, GMIN		
Yes		No
Model contains Environment Parameters block	Model does not contain Environment Parameters block	Parallel conductance, <i>GMIN</i> , is not included and it does not affect the current source.
<i>GMIN</i> is equal to the value of the GMIN parameter in the Environment Parameters block.	<i>GMIN</i> = 1e-12 Ohm	

Extended Capabilities

C/C++ Code Generation

Generate C and C++ code using Simulink® Coder™.

See Also

Simscape Blocks

Environment Parameters | PCCCS | PCCVS | PCCVS2 | PVCCS | PVCCS2 | PVCVS | PVCVS2

Functions

subcircuit2ssc

Topics

"Additional Parameterization Workflows"

"Converting a SPICE Netlist to Simscape Blocks"

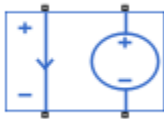
"Parameterize an Exponential Diode from SPICE Netlist"

Introduced in R2009a

PCCVS

Polynomial current-controlled voltage source

Library: Simscape / Electrical / Additional Components / SPICE Sources



Description

The PCCVS (Polynomial Current-Controlled Voltage Source) block represents a voltage source whose output voltage value is a polynomial function of the current through the input ports. The following equations describe the voltage across the source as a function of time:

- If you specify an n -element vector of polynomial coefficients for the **Polynomial coefficients** parameter:

$$V_{out} = p(0) + p(1) * I_{in} + \dots + p(n - 1) * I_{in}^{n-1} + p(n) * I_{in}^n$$

- If you specify a scalar coefficient for the **Polynomial coefficients** parameter:

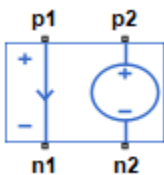
$$V_{out} = p * I_{in}$$

where:

- I_{in} is the current through the input ports.
- p is the **Polynomial coefficients** parameter value.

Ports

Refer to the figure for port locations.



Conserving

p1 — Positive voltage of the controlling input

electrical

Electrical conserving port associated with the PCCVS positive voltage of the controlling input.

n1 — Negative voltage of the controlling input

electrical

Electrical conserving port associated with the PCCVS negative voltage of the controlling input.

p2 — Positive output voltage

electrical

Electrical conserving port associated with the PCCVS positive output voltage.

n2 — Negative output voltage

electrical

Electrical conserving port associated with the PCCVS negative output voltage.

Parameters**Polynomial coefficients — Polynomial coefficients**

[0, 1] (default)

The polynomial coefficients that relate the input current to the output voltage, as described in the preceding section.

Extended Capabilities**C/C++ Code Generation**

Generate C and C++ code using Simulink® Coder™.

See Also**Simscape Blocks**

Environment Parameters | PCCCS | PCCCS2 | PCCVS2 | PVCCS | PVCCS2 | PVCVS | PVCVS2

Functions

subcircuit2ssc

Topics

“Additional Parameterization Workflows”

“Converting a SPICE Netlist to Simscape Blocks”

“Parameterize an Exponential Diode from SPICE Netlist”

Introduced in R2008a

PCCVS2

Polynomial current-controlled voltage source with two controlling inputs

Library: Simscape / Electrical / Additional Components / SPICE Sources



Description

The PCCVS2 (Two-Input Polynomial Current-Controlled Voltage Source) block represents a voltage source whose output voltage value is a polynomial function of the currents through the pairs of controlling input ports. This equation describes the voltage across the source as a function of time:

$$V_{out} = p_1 + p_2 * I_{in1} + p_3 * I_{in2} + p_4 * I_{in1}^2 + p_5 I_{in1} * I_{in2} + p_6 * I_{in2}^2 + \dots$$

where:

- I_{in1} is the current through the first pair of input ports.
- I_{in2} is the current through the second pair of input ports.
- p is the **Polynomial coefficients** parameter value.

Ports

Conserving

1+ — Positive voltage of the first controlling input

electrical

Electrical conserving port associated with the PCCVS2 positive voltage of the first controlling input.

1- — Negative voltage of the first controlling input

electrical

Electrical conserving port associated with the PCCVS2 negative voltage of the first controlling input.

2+ — Positive voltage of the second controlling input

electrical

Electrical conserving port associated with the PCCVS2 positive voltage of the second controlling input.

2- — Negative voltage of the second controlling input

electrical

Electrical conserving port associated with the PCCVS2 negative voltage of the second controlling input.

+ – Positive output voltage

electrical

Electrical conserving port associated with the PCCVS2 positive output voltage.

- – Negative output voltage

electrical

Electrical conserving port associated with the PCCVS2 negative output voltage.

Parameters**Polynomial coefficients – Polynomial coefficients**

[0 1 1] (default)

The polynomial coefficients that relate the input current to the output voltage, as described in the preceding section.

Extended Capabilities**C/C++ Code Generation**

Generate C and C++ code using Simulink® Coder™.

See Also**Simscape Blocks**

Environment Parameters | PCCCS | PCCCS2 | PCCVS | PVCCS | PVCCS2 | PVCVS | PVCVS2

Functions

subcircuit2ssc

Topics

“Additional Parameterization Workflows”

“Converting a SPICE Netlist to Simscape Blocks”

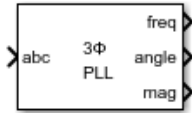
“Parameterize an Exponential Diode from SPICE Netlist”

Introduced in R2009a

Phasor Measurement Unit (PMU, Three-Phase)

Frequency, phase, and amplitude measurement of a three-phase system

Library: Simscape / Electrical / Control / Measurements



Description

The Phasor Measurement Unit (PMU, Three-Phase) block measures the frequency, phase, and amplitude of the positive sequence component of the input electrical signal in a three-phase system at a particular sample rate.

The block uses a system clock as the synchronous reference. This information is commonly collected from a GPS in the real world.

Ports

Input

abc — Three-phase signal

vector

Three-phase input signal, specified as a vector.

Data Types: `single` | `double`

Output

freq — Frequency of positive sequence component

scalar

Measured frequency of the positive sequence component, in Hz, returned as a scalar.

Data Types: `single` | `double`

angle — Phase angle of positive sequence component

scalar

Measured phase angle of the positive sequence component, in degrees, returned as a scalar.

Data Types: `single` | `double`

mag — Magnitude of positive sequence component

scalar

Measured magnitude of the positive sequence component, returned as a scalar.

Data Types: `single` | `double`

Parameters

Rated frequency (Hz) — Rated frequency

60 (default) | 50

Rated frequency of the input signal, in Hz.

Sampling points per cycle — Sampling points per cycle

64 (default) | 24 | 48

Number of sampling points per cycle.

Reporting rate factor — Reporting rate factor

1 (default) | scalar

Ratio between the reporting rate and the sampling rate of the block.

Extended Capabilities

C/C++ Code Generation

Generate C and C++ code using Simulink® Coder™.

See Also

Sinusoidal Measurement (PLL) | Sinusoidal Measurement (PLL, Three-Phase)

Introduced in R2020a

Photodiode

Photodiode with incident flux input port

Library: Simscape / Electrical / Sensors & Transducers



Description

The Photodiode block represents a photodiode as a controlled current source and an exponential diode connected in parallel. The controlled current source produces a current I_p that is proportional to the radiant flux density:

$$I_p = DeviceSensitivity \cdot RadiantFluxDensity \quad (1-34)$$

where:

- *DeviceSensitivity* is the ratio of the current produced to the incident radiant flux density.
 - If you select **Specify measured current for given flux density** for the **Sensitivity parameterization** parameter, the block calculates this variable by converting the **Measured current** parameter value to units of amps and dividing it by the **Flux density** parameter values.
 - If you select **Specify current per unit flux density** for the **Sensitivity parameterization** parameter, this variable is defined by the **Device sensitivity** parameter value.
- *RadiantFluxDensity* is the incident radiant flux density.

To model dynamic response time, use the **Junction capacitance** parameter to include the diode junction capacitance in the model.

The exponential diode model provides the following relationship between the diode current I and the diode voltage V :

$$I = IS \cdot \left(e^{\frac{qV}{NkT_{m1}}} - 1 \right)$$

where:

- q is the elementary charge on an electron (1.602176e-19 Coulombs).
- k is the Boltzmann constant (1.3806503e-23 J/K).
- N is the emission coefficient.
- IS is the saturation current, which is equal to the **Dark current** parameter value.
- T_{m1} is the temperature at which the diode parameters are specified, as defined by the **Measurement temperature** parameter value.

When $(qV / NkT_{m1}) > 80$, the block replaces $e^{\frac{qV}{NkT_{m1}}}$ with $(qV / NkT_{m1} - 79)e^{80}$, which matches the gradient of the diode current at $(qV / NkT_{m1}) = 80$ and extrapolates linearly. When $(qV / NkT_{m1}) < -79$,

the block replaces $e^{\frac{qV}{NkT_{m1}}}$ with $(qV / NkT_{m1} + 80)e^{-79}$, which also matches the gradient and extrapolates linearly. Typical electrical circuits do not reach these extreme values. The block provides this linear extrapolation to help convergence when solving for the constraints during simulation.

When you select **Use dark current** and **N** for the **Diode parameterization** parameter, you specify the diode in terms of the **Dark current** and **Emission coefficient N** parameters. When you select **Use dark current plus a forward bias I-V data point** for the **Diode parameterization** parameter, you specify the **Dark current** parameter and a voltage and current measurement point on the diode I-V curve. The block calculates N from these values as follows:

$$N = V_F / (V_t \log(I_F / I_S + 1))$$

where:

- V_F is the **Forward voltage VF** parameter value.
- $V_t = kT_{m1} / q$.
- I_F is the **Current IF at forward voltage VF** parameter value.

The exponential diode model provides the option to include a junction capacitance:

- When you select **Fixed or zero junction capacitance** for the **Junction capacitance** parameter, the capacitance is fixed.
- When you select **Use parameters CJO, VJ, M & FC** for the **Junction capacitance** parameter, the block uses the coefficients CJO , VJ , M , and FC to calculate a junction capacitance that depends on the junction voltage.
- When you select **Use C-V curve data points** for the **Junction capacitance** parameter, the block uses three capacitance values on the C-V capacitance curve to estimate CJO , VJ , and M and uses these values with the specified value of FC to calculate a junction capacitance that depends on the junction voltage. The block calculates CJO , VJ , and M as follows:

- $CJO = C_1((V_{R2} - V_{R1}) / (V_{R2} - V_{R1}(C_2/C_1)^{-1/M}))^M$
- $VJ = -(-V_{R2}(C_1/C_2)^{-1/M} + V_{R1}) / (1 - (C_1/C_2)^{-1/M})$
- $M = \log(C_3/C_2) / \log(V_{R2}/V_{R3})$

where:

- V_{R1} , V_{R2} , and V_{R3} are the values in the **Reverse bias voltages [VR1 VR2 VR3]** vector.
- C_1 , C_2 , and C_3 are the values in the **Corresponding capacitances [C1 C2 C3]** vector.

It is not possible to estimate FC reliably from tabulated data, so you must specify its value using the **Capacitance coefficient FC** parameter. In the absence of suitable data for this parameter, use a typical value of 0.5.

The reverse bias voltages (defined as positive values) should satisfy $V_{R3} > V_{R2} > V_{R1}$. This means that the capacitances should satisfy $C_1 > C_2 > C_3$ as reverse bias widens the depletion region and hence reduces capacitance. Violating these inequalities results in an error. Voltages V_{R2} and V_{R3} should be well away from the Junction potential VJ . Voltage V_{R1} should be less than the Junction potential VJ , with a typical value for V_{R1} being 0.1 V.

The voltage-dependent junction is defined in terms of the capacitor charge storage Q_j as:

- For $V < FC \cdot VJ$:

$$Q_j = C_{J0} \cdot (VJ/(M - 1)) \cdot ((1 - V/VJ)^{1-M} - 1)$$

- For $V \geq FC \cdot VJ$:

$$Q_j = C_{J0} \cdot F_1 + (C_{J0}/F_2) \cdot (F_3 \cdot (V - FC \cdot VJ) + 0.5(M/VJ) \cdot (V^2 - (FC \cdot VJ)^2))$$

where:

- $F_1 = (VJ/(1 - M)) \cdot (1 - (1 - FC)^{1-M})$
- $F_2 = (1 - FC)^{1+M}$
- $F_3 = 1 - FC \cdot (1 + M)$

These equations are the same as used in [2], except that the temperature dependence of VJ and FC is not modeled. This model does not include the diffusion capacitance term that affects performance for high frequency switching applications.

The Photodiode block contains several options for modeling the dependence of the diode current-voltage relationship on the temperature during simulation. Temperature dependence of the junction capacitance is not modeled, this being a much smaller effect. For details, see the Diode reference page.

Thermal Port

The block has an optional thermal port, hidden by default. To expose the thermal port, right-click the block in your model, and then from the context menu select **Simscape > Block choices > Show thermal port**. This action displays the thermal port **H** on the block icon, and exposes the **Thermal Port** parameters.

Use the thermal port to simulate the effects of generated heat and device temperature. For more information on using thermal ports and on the **Thermal Port** parameters, see “Simulating Thermal Effects in Semiconductors”.

Variables

Use the **Variables** section of the block interface to set the priority and initial target values for the block variables prior to simulation. For more information, see “Set Priority and Initial Target for Block Variables”.

Assumptions and Limitations

- When you select Use dark current plus a forward bias I-V curve data point for the **Diode parameterization** parameter, choose a voltage near the diode turn-on voltage. Typically this will be in the range from 0.05 to 1 Volt. Using a value outside of this region may lead to a poor estimate for N .
- You may need to use nonzero ohmic resistance and junction capacitance values to prevent numerical simulation issues, but the simulation may run faster with these values set to zero.

Ports

Output

W – Incident flux

physical signal

Physical signal port associated with the incident flux.

Conserving

+ – Positive terminal

electrical

Electrical conserving port associated with the anode.

- – Negative terminal

electrical

Electrical conserving port associated with the cathode.

Parameters

Main

Sensitivity parameterization – Sensitivity parameterization

Specify measured current for given flux density (default) | Specify current per unit flux density

Select one of the following methods for sensitivity parameterization:

- Specify measured current for given flux density – Specify the measured current and the corresponding flux density. This is the default method.
- Specify current per unit flux density – Specify the device sensitivity directly.

Measured current – Measured current

25 uA (default)

The current the block uses to calculate the device sensitivity.

Dependencies

This parameter is visible only when you select Specify measured current for given flux density for the **Sensitivity parameterization** parameter.

Flux density – Flux density

5 W/m² (default)

The flux density the block uses to calculate the device sensitivity.

Dependencies

This parameter is visible only when you select Specify measured current for given flux density for the **Sensitivity parameterization** parameter.

Device sensitivity — Device sensitivity5e-06 m²*A/W (default)

The current per unit flux density.

Dependencies

This parameter is visible only when you select Specify current per unit flux density for the **Sensitivity parameterization** parameter.

Diode parameterization — Diode parameterization

Use dark current plus a forward bias I-V data point (default) | Use dark current and N

Select one of the following methods for diode model parameterization:

- Use dark current plus a forward bias I-V data point — Specify the dark current and a point on the diode I-V curve. This is the default method.
- Use dark current and N — Specify dark current and emission coefficient.

Current I1 — Current at the forward-biased point

0.1 A (default)

The current at the forward-biased point on the diode I-V curve that the block uses to calculate *IS* and *N*.

Dependencies

This parameter is visible only when you select Use dark current plus a forward bias I-V data point for the **Diode parameterization** parameter.

Voltage V1 — Voltage at the forward-biased point

1.3 V (default)

The corresponding voltage at the forward-biased point on the diode I-V curve that the block uses to calculate *IS* and *N*.

Dependencies

This parameter is visible only when you select Use dark current plus a forward bias I-V data point for the **Diode parameterization** parameter.

Dark current — Dark current

5e-9 A (default)

The current through the diode when it is not exposed to light.

Emission coefficient, N — Emission coefficient

3 (default)

The diode emission coefficient or ideality factor.

Dependencies

This parameter is visible only when you select Use dark current and N for the **Diode parameterization** parameter.

Ohmic resistance, RS — Series diode connection resistance

0.1 Ohm (default)

The series diode connection resistance.

Measurement temperature — Measurement temperature

25 degC (default)

The temperature at which the I-V curve or dark current was measured.

Junction Capacitance**Junction capacitance — Junction capacitance**

Fixed or zero junction capacitance (default) | Use C-V curve data points | Use parameters CJ0, VJ, M & FC

Select one of the following options for modeling the junction capacitance:

- Fixed or zero junction capacitance — Model the junction capacitance as a fixed value.
- Use C-V curve data points — Specify measured data at three points on the diode C-V curve.
- Use parameters CJ0, VJ, M & FC — Specify zero-bias junction capacitance, junction potential, grading coefficient, and forward-bias depletion capacitance coefficient.

Zero-bias junction capacitance, CJ0 — Zero-bias junction capacitance

20 pF (default)

The value of the capacitance placed in parallel with the exponential diode term.

Dependencies

This parameter is visible only when you select Fixed or zero junction capacitance or Use parameters CJ0, VJ, M & FC for the **Junction capacitance** parameter.

Reverse bias voltages [VR1 VR2 VR3] — Reverse bias voltages

[0.1 10 100] V (default)

A vector of the reverse bias voltage values at the three points on the diode C-V curve that the block uses to calculate $CJ0$, VJ , and M .

Dependencies

This parameter is visible only when you select Use C-V curve data points for the **Junction capacitance** parameter.

Corresponding capacitances [C1 C2 C3] — Corresponding capacitances

[45 30 6] pF (default)

A vector of the capacitance values at the three points on the diode C-V curve that the block uses to calculate $CJ0$, VJ , and M .

Dependencies

This parameter is visible only when you select Use C-V curve data points for the **Junction capacitance** parameter.

Junction potential, VJ — Junction potential

1 V (default)

The junction potential. This parameter is only visible when you select Use parameters CJ0, VJ, M & FC for the **Junction capacitance** parameter.

Dependencies

This parameter is visible only when you select Use parameters CJ0, VJ, M & FC for the **Junction capacitance** parameter.

Grading coefficient, M — Grading coefficient

0.5 (default)

The grading coefficient.

Dependencies

This parameter is visible only when you select Use parameters CJ0, VJ, M & FC for the **Junction capacitance** parameter.

Capacitance coefficient, FC — Capacitance coefficient

0.5 (default)

Fitting coefficient that quantifies the decrease of the depletion capacitance with applied voltage.

Dependencies

This parameter is visible only when you select Use C-V curve data points or Use parameters CJ0, VJ, M & FC for the **Junction capacitance** parameter.

Temperature Dependence**Parameterization — Temperature dependence parameterization**

None — Simulate at parameter measurement temperature (default) | Use an I-V data point at second measurement temperature T2 | Specify saturation current at second measurement temperature T2 | Specify the energy gap EG

Select one of the following methods for temperature dependence parameterization:

- None — Simulate at parameter measurement temperature — Temperature dependence is not modeled, or the model is simulated at the measurement temperature T_{m1} (as specified by the **Measurement temperature** parameter on the **Main** tab). This is the default method.
- Use an I-V data point at second measurement temperature T2 — If you select this option, you specify a second measurement temperature T_{m2} , and the current and voltage values at this temperature. The model uses these values, along with the parameter values at the first measurement temperature T_{m1} , to calculate the energy gap value.
- Specify saturation current at second measurement temperature T2 — If you select this option, you specify a second measurement temperature T_{m2} , and saturation current value at this temperature. The model uses these values, along with the parameter values at the first measurement temperature T_{m1} , to calculate the energy gap value.
- Specify the energy gap EG — Specify the energy gap value directly.

Current $I1$ at second measurement temperature – Current $I1$ at second measurement temperature

0.07 A (default)

Specify the diode current $I1$ value when the voltage is $V1$ at the second measurement temperature.

Dependencies

This parameter is visible only when you select Use an I-V data point at second measurement temperature T2 for the **Parameterization** parameter.

Voltage $V1$ at second measurement temperature – Voltage $V1$ at second measurement temperature

1.3 V (default)

Specify the diode voltage $V1$ value when the current is $I1$ at the second measurement temperature.

Dependencies

This parameter is visible only when you select Use an I-V data point at second measurement temperature T2 for the **Parameterization** parameter.

Saturation current, I_S , at second measurement temperature – Saturation current, I_S , at second measurement temperature

$2.5e-7$ A (default)

Specify the saturation current I_S value at the second measurement temperature.

Dependencies

This parameter is visible only when you select Specify saturation current at second measurement temperature T2 for the **Parameterization** parameter.

Second measurement temperature – Second measurement temperature

125 degC (default)

Specify the value for the second measurement temperature.

Dependencies

This parameter is visible only when you select Use an I-V data point at second measurement temperature T2 or Specify saturation current at second measurement temperature T2 for the **Parameterization** parameter.

Energy gap parameterization – Energy gap parameterization

Use nominal value for silicon (EG=1.11eV) (default) | Use nominal value for 4H-SiC silicon carbide (EG=3.23eV) | Use nominal value for 6H-SiC silicon carbide (EG=3.00eV) | Use nominal value for germanium (EG=0.67eV) | Use nominal value for gallium arsenide (EG=1.43eV) | Use nominal value for selenium (EG=1.74eV) | Use nominal value for Schottky barrier diodes (EG=0.69eV) | Specify a custom value

Select a value for the energy gap from a list of predetermined options, or specify a custom value:

- Use nominal value for silicon (EG=1.11eV) – This is the default.
- Use nominal value for 4H-SiC silicon carbide (EG=3.23eV)

- Use nominal value for 6H-SiC silicon carbide (EG=3.00eV)
- Use nominal value for germanium (EG=0.67eV)
- Use nominal value for gallium arsenide (EG=1.43eV)
- Use nominal value for selenium (EG=1.74eV)
- Use nominal value for Schottky barrier diodes (EG=0.69eV)
- Specify a custom value — If you select this option, the **Energy gap, EG** parameter appears in the dialog box, to let you specify a custom value for *EG*.

Dependencies

This parameter is visible only when you select Specify the energy gap EG for the **Parameterization** parameter.

Energy gap, EG — Energy gap

1.11 eV (default)

Specify a custom value for the energy gap, *EG*.

Dependencies

This parameter is visible only when you select Specify a custom value for the **Energy gap parameterization** parameter.

Saturation current temperature exponent parameterization — Saturation current temperature exponent parameterization

Use nominal value for pn-junction diode (XTI=3) (default) | Use nominal value for Schottky barrier diode (XTI=2) | Specify a custom value

Select one of the following options to specify the saturation current temperature exponent value:

- Use nominal value for pn-junction diode (XTI=3) — This is the default.
- Use nominal value for Schottky barrier diode (XTI=2)
- Specify a custom value — If you select this option, the **Saturation current temperature exponent, XTI** parameter appears in the dialog box, to let you specify a custom value for *XTI*.

Saturation current temperature exponent, XTI — Saturation current temperature exponent

3 (default)

Specify a custom value for the saturation current temperature exponent, *XTI*.

Dependencies

This parameter is visible only when you select Specify a custom value for the **Saturation current temperature exponent parameterization** parameter.

Device simulation temperature — Device simulation temperature

25 degC (default)

Specify the value for the temperature T_s , at which the device is to be simulated.

References

- [1] H. Ahmed and P.J. Spreadbury. *Analogue and digital electronics for engineers*. 2nd Edition, Cambridge University Press, 1984.
- [2] G. Massobrio and P. Antognetti. *Semiconductor Device Modeling with SPICE*. 2nd Edition, McGraw-Hill, 1993.

Extended Capabilities

C/C++ Code Generation

Generate C and C++ code using Simulink® Coder™.

See Also

Diode | Light-Emitting Diode | Optocoupler

Introduced in R2008a

Piecewise Linear Current Source

Time-dependent current source using lookup table

Library: Simscape / Electrical / Additional Components / SPICE Sources



Description

The Piecewise Linear Current Source block represents a current source that you specify in lookup table form using a vector of time values and a vector of the corresponding current values. You must specify at least four time-current value pairs. The block generates a time-dependent current based on these time-current values using the selected interpolation and extrapolation methods. You have a choice of two interpolation methods and extrapolation methods. The output current is independent of the voltage across the terminals of the source.

The block uses a small conductance internally to prevent numerical simulation issues. The conductance connects the + and - ports of the device and has a conductance *GMIN*:

- By default, *GMIN* matches the **GMIN** parameter of the Environment Parameters block, whose default value is $1e-121/0\Omega$.
- To change *GMIN*, add an Environment Parameters block to your model and set the **GMIN** parameter to the desired value.

Ports

Conserving

+ – Positive terminal

electrical

Electrical conserving port associated with the piecewise linear current source positive terminal.

- – Negative terminal

electrical

Electrical conserving port associated with the piecewise linear current source negative terminal.

Parameters

Time specification – Vector of time values

[0, 1, 2, 3, 4] s (default)

Vector of time values as a tabulated 1-by-*n* array. The time values vector must be strictly monotonically increasing.

Current at specified time – Vector of current values

[0, 0, 0, 0, 0] A (default)

Vector of current values as a tabulated 1-by- n array. The current values vector must be the same size as the time values vector.

Interpolation method – Interpolation method

Linear (default) | Smooth

Select the method that the block uses to determine the output current values at intermediate time points that are not specified in the preceding vectors:

- **Linear** — Prioritize performance by using a linear function.
- **Smooth** — Prioritize accuracy by producing a continuous curve with continuous first-order derivatives.

Extrapolation method – Extrapolation method

Nearest (default) | Linear

Select the method that the block uses to determine the output current values at time points that are outside the time range specified in the preceding vectors:

- **Nearest** — Select this option to use the nearest input value for extrapolation.
- **Linear** — Select this option to use a linear function.

Include parallel conductance, GMIN – Whether to include parallel conductance

Yes (default) | No

Specify if the current source includes a parallel conductance. The value of the parallel conductance, $GMIN$, depends on whether your model contains an Environment Parameters block.

This table shows the possible values of the parallel conductance, $GMIN$:

Values of parallel conductance, GMIN

Include parallel conductance, GMIN		
Yes		No
Model contains Environment Parameters block	Model does not contain Environment Parameters block	Parallel conductance, $GMIN$, is not included and it does not affect the current source.
$GMIN$ is equal to the value of the GMIN parameter in the Environment Parameters block.	$GMIN = 1e-12$ Ohm	

References

- [1] D. Kahaner, Cleve Moler, and Stephen Nash *Numerical Methods and Software* Prentice Hall, 1988.
- [2] W.H. Press, B.P. Flannery, S.A. Teulkolsky, and W.T. Wetterling. *Numerical Recipes in C: The Art of Scientific Computing* . Cambridge University Press, 1992.

Extended Capabilities

C/C++ Code Generation

Generate C and C++ code using Simulink® Coder™.

See Also

Simscape Blocks

Environment Parameters | Piecewise Linear Voltage Source | Pulse Current Source

Functions

subcircuit2ssc

Topics

“Parameterize an Exponential Diode from SPICE Netlist”

“Converting a SPICE Netlist to Simscape Blocks”

“Additional Parameterization Workflows”

Introduced in R2008a

Piecewise Linear Voltage Source

Time-dependent voltage source using lookup table

Library: Simscape / Electrical / Additional Components / SPICE Sources



Description

The Piecewise Linear Voltage Source block represents a voltage source that you specify in lookup table form using a vector of time values and a vector of the corresponding voltage values. You must specify at least four time-current value pairs. The block generates a time-dependent voltage based on these time-voltage values using the selected interpolation and extrapolation methods. You have a choice of two interpolation methods and extrapolation methods. The output voltage is independent of the current through the source.

Ports

Conserving

+ — Positive voltage

electrical

Electrical conserving port associated with the piecewise linear voltage source positive voltage

- — Negative voltage

electrical

Electrical conserving port associated with the piecewise linear voltage source negative voltage

Parameters

Time specification — Vector of time values

[0, 1, 2, 3, 4] s (default)

Vector of time values as a tabulated 1-by- n array. The time values vector must be strictly monotonically increasing.

Current at specified time — Vector of current values

[0, 0, 0, 0, 0] V (default)

Vector of voltage values as a tabulated 1-by- n array. The voltage values vector must be the same size as the time values vector.

Interpolation method — Interpolation method

Linear (default) | Smooth

Select the method that the block uses to determine the output current values at intermediate time points that are not specified in the preceding vectors:

- **Linear** — Prioritize performance by using a linear function.
- **Smooth** — Prioritize accuracy by producing a continuous curve with continuous first-order derivatives.

Extrapolation method — Extrapolation method

Nearest (default) | Linear

Select the method that the block uses to determine the output current values at time points that are outside the time range specified in the preceding vectors:

- **Nearest** — Select this option to use the nearest input value for extrapolation.
- **Linear** — Select this option to use a linear function.

References

[1] D. Kahaner, C. Moler, and S. Nash. *Numerical Methods and Software* . Prentice Hall, 1988.

[2] W.H. Press, B.P. Flannery, S.A. Teukolsky, and W.T. Wetterling. *Numerical Recipes in C: The Art of Scientific Computing* . Cambridge University Press, 1992.

Extended Capabilities

C/C++ Code Generation

Generate C and C++ code using Simulink® Coder™.

See Also

Simscape Blocks

Environment Parameters | Piecewise Linear Current Source | Pulse Voltage Source

Functions

subcircuit2ssc

Topics

“Additional Parameterization Workflows”

“Converting a SPICE Netlist to Simscape Blocks”

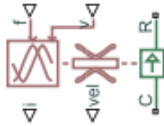
“Parameterize an Exponential Diode from SPICE Netlist”

Introduced in R2008a

Piezo Linear Actuator

Force-speed characteristics of linear piezoelectric traveling wave motor

Library: Simscape / Electrical / Electromechanical / Mechatronic Actuators



Description

The Piezo Linear Actuator block represents the force-speed characteristics of a linear piezoelectric traveling wave motor. The block represents the force-speed relationship of the motor at a level that is suitable for system-level modeling. To simulate the motor, the block uses the following models:

- “Mass and Friction Model for Unpowered Motor” on page 1-1108
- “Resonant Circuit Model for Powered Motor” on page 1-1108

Mass and Friction Model for Unpowered Motor

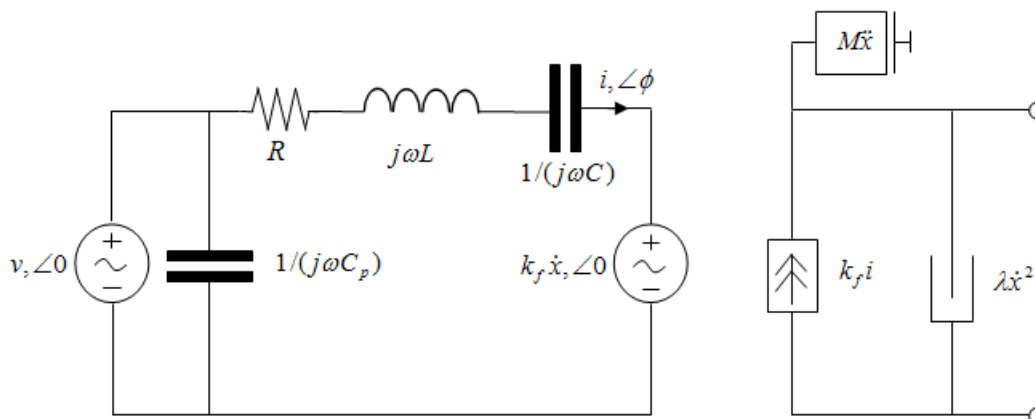
The motor is unpowered when the physical signal input v is zero. This corresponds to applying zero RMS volts to the motor. In this scenario, the block models the motor using the following elements:

- A mass whose value is the **Plunger mass** parameter value.
- A friction whose characteristics you specify using the parameter values in the **Motor-Off Friction** tab.

The block uses a SimscapeTranslational Friction block to model the friction component. For detailed information about the friction model, see the Translational Friction block reference page.

Resonant Circuit Model for Powered Motor

When the motor is active, Piezo Linear Actuator block represents the motor characteristics using the following equivalent circuit model.



In the preceding figure:

- The AC voltage source represents the block's physical signal input of frequency f and magnitude v .
- The resistor R provides the main electrical and mechanical damping term.
- The inductor L represents the rotor vibration inertia.
- The capacitor C represents the piezo crystal stiffness.
- The capacitor C_p represents the phase capacitance. This is the electrical capacitance associated with each of the two motor phases.
- The force constant k_f relates the RMS current i to the resulting mechanical force.
- The quadratic mechanical damping term, $\lambda\dot{x}^2$, shapes the force-speed curve predominantly at speeds close to maximum RPM. \dot{x} is the linear speed.
- The term $M\dot{x}$ represents the plunger inertia.

At model initialization, the block calculates the model parameters R , L , C , k_t and λ to ensure that the steady-state force-speed curve matches the values for the following user-specified parameters:

- **Rated force**
- **Rated speed**
- **No-load maximum speed**
- **Maximum (stall) force**

These parameter values are defined for the **Rated RMS voltage** and **Motor natural frequency** (or rated frequency) parameter values.

The quadratic mechanical damping term produces a quadratic force-speed curve. Piezoelectric motors force-speed curves can typically be approximated more accurately using a quadratic function than a linear one because the force-speed gradient becomes steeper as the motor approaches the maximum speed.

If the plunger mass M is not specified on the datasheet, you can select a value that provides a good match to the quoted response time. The response time is often defined as the time for the rotor to reach maximum speed when starting from rest, under no-load conditions.

The quality factor that you specify using the **Resonance quality factor** parameter relates to the equivalent circuit model parameters as follows:

$$Q = \frac{1}{R} \sqrt{\frac{L}{C}}$$

This term is not usually provided on a datasheet. You can calculate its value by matching the sensitivity of force to driving frequency.

To reverse the motor direction of operation, make the physical signal input v negative.

Assumptions and Limitations

- When the motor is powered, the model is valid only between zero and maximum speed, for the following reasons:
 - Datasheets do not provide information for operation outside of normal range.

- Piezoelectric motors are not designed to operate in the powered braking and generating regions.

The block behaves as follows outside the valid operating region:

- Below zero speed, the model maintains a constant force with a zero speed value. The zero speed value is the **Maximum (stall) force** parameter value if the RMS input voltage equals the **Rated RMS voltage** parameter value, and the frequency input equals the **Motor natural frequency** parameter value.
- Above maximum speed, the model produces the negative force predicted by the equivalent circuit model, but limits the absolute value of the force to the zero-speed maximum force.
- The force-speed characteristics are most representative when operating the model close to the rated voltage and resonant frequency.

Ports

Input

f – Motor driving frequency

physical

Physical signal input port associated with the motor driving frequency, in Hz.

v – RMS supply voltage and direction of rotation

physical

Physical signal input magnitude port specifying the RMS supply voltage, and sign specifying the direction of rotation. If v is positive, then a positive force acts from port **C** to port **R**.

Output

i – RMS phase current

physical

Physical signal output port associated with the RMS phase current.

vel – Rotor speed

physical

Physical signal output port associated with the linear speed of the rotor.

Conserving

C – Case

mechanical

Mechanical translational conserving port associated with the motor case.

R – Rotor

mechanical

Mechanical translational conserving port associated with the motor rotor.

Parameters

Electrical Force

Motor natural frequency — Motor natural frequency

92 kHz (default)

Frequency at which the piezoelectric crystal naturally resonates. For most applications, set the input signal at port f to this frequency. To slow down the motor, for example in a closed-loop speed control, use a frequency slightly less than the motor natural frequency.

Rated RMS voltage — Rated RMS voltage

5.7 V (default)

Voltage at which the motor is designed to operate.

Rated force — Rated force

0.1 N (default)

Force the motor delivers at the rated RMS voltage.

Rated speed — Rated speed

50 mm/s (default)

Motor speed when the motor drives a load at the rated force.

No-load maximum speed — No-load maximum speed

150 mm/s (default)

Motor speed when driving no load and powered at the rated voltage and driving frequency.

Maximum (stall) force — Maximum force

0.15 N (default)

Maximum force the motor delivers when actively driving a load and powered at the rated voltage and frequency.

Note The **Holding force** parameter value, the load force the motor holds when stationary, may be greater than the **Maximum (stall) force** parameter value.

Resonance quality factor — Resonance quality factor

100 (default)

Quality factor Q that specifies how force varies as a function of driving frequency. Increasing the quality factor results in a much more rapid decrease in force as driving frequency is moved away from the natural frequency.

Capacitance per phase — Capacitance per phase

5 nF (default)

Electrical capacitance associated with each of the two motor phases.

Mechanical

Plunger mass — Plunger mass

0.3 g (default)

Mass of the moving part of the motor.

Initial rotor speed — Initial rotor speed

0 mm/s (default)

Rotor speed at the start of the simulation.

Motor-Off Friction

Holding force — Holding force

0.3 N (default)

The sum of the Coulomb and the static frictions. It must be greater than or equal to the **Coulomb friction force** parameter value.

Coulomb friction force — Coulomb friction force

0.15 N (default)

The friction that opposes rotation with a constant force at any velocity.

Viscous friction coefficient — Viscous friction coefficient

1e-5 s*N/mm (default) | nonnegative scalar

Proportionality coefficient between the friction force and the relative velocity.

Transition approximation coefficient — Transition approximation coefficient

0.1 s/mm (default)

The parameter sets the coefficient value that is used to approximate the transition between the static and the Coulomb frictions. For detailed information about the coefficient, c_v , see the SimscapeTranslational Friction block reference page.

Linear region velocity threshold — Linear region velocity threshold

0.1 mm/s (default)

The parameter sets the small vicinity near zero velocity, within which friction force is considered to be linearly proportional to the relative velocity. MathWorks recommends that you use values between 1e-6 and 1e-4 mm/s.

Extended Capabilities

C/C++ Code Generation

Generate C and C++ code using Simulink® Coder™.

See Also

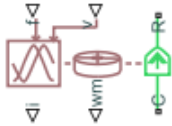
Piezo Rotary Actuator

Introduced in R2009a

Piezo Rotary Actuator

Torque-speed characteristics of rotary piezoelectric traveling wave motor

Library: Simscape / Electrical / Electromechanical / Mechatronic Actuators



Description

The Piezo Rotary Actuator block represents the torque-speed characteristics of a piezoelectric traveling wave motor. The block represents the torque-speed relationship of the motor at a level that is suitable for system-level modeling. To simulate the motor, the block uses the following models:

- “Inertia and Friction Model for Unpowered Motor” on page 1-1113
- “Resonant Circuit Model for Powered Motor” on page 1-1113

Inertia and Friction Model for Unpowered Motor

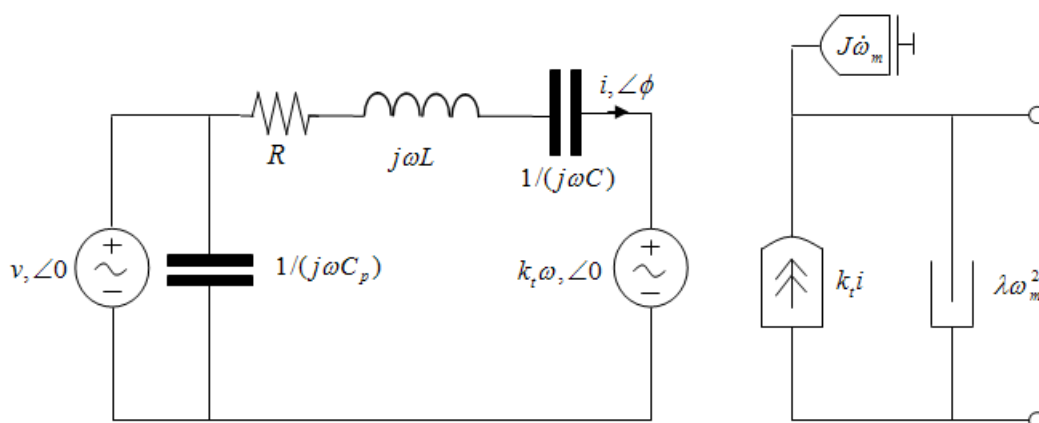
The motor is unpowered when the physical signal input v is zero. This corresponds to applying zero RMS volts to the motor. In this scenario, the block models the motor using the following elements:

- An inertia whose value is the **Rotor inertia** parameter value.
- A friction whose characteristics are determined by the parameter values in the **Motor-Off Friction** tab.

The block uses a SimscapeRotational Friction block to model the friction component. For detailed information about the friction model, see the Rotational Friction block reference page.

Resonant Circuit Model for Powered Motor

When the motor is active, Piezo Rotary Actuator block represents the motor characteristics using the following equivalent circuit model.



In the preceding figure:

- The AC voltage source represents the block's physical signal input of frequency f and magnitude v .
- The resistor R provides the main electrical and mechanical damping term.
- The inductor L represents the rotor vibration inertia.
- The capacitor C represents the piezo crystal stiffness.
- The capacitor C_p represents the phase capacitance. This is the electrical capacitance associated with each of the two motor phases.
- The torque constant k_t relates the RMS current i to the resulting mechanical torque.
- The quadratic mechanical damping term, $\lambda\omega_m^2$, shapes the torque-speed curve predominantly at speeds close to maximum RPM. ω_m is the mechanical rotational speed.
- The term $J\dot{\omega}_m$ represents the rotor inertia.

At model initialization, the block calculates the model parameters R , L , C , k_t and λ to ensure that the steady-state torque-speed curve matches the values of the following user-specified parameter values:

- **Rated torque**
- **Rated rotational speed**
- **No-load maximum rotational speed**
- **Maximum torque**

These parameter values are defined for the **Rated RMS voltage** and **Motor natural frequency** (or rated frequency) parameter values.

The quadratic mechanical damping term produces a quadratic torque-speed curve. Piezoelectric motors torque-speed curves can typically be approximated more accurately using a quadratic function than a linear one because the torque-speed gradient becomes steeper as the motor approaches the maximum speed.

If the rotor inertia J is not specified on the datasheet, you can select a value that provides a good match to the quoted response time. The response time is often defined as the time for the rotor to reach maximum speed when starting from rest, under no-load conditions.

The quality factor that you specify using the **Resonance quality factor** parameter relates to the equivalent circuit model parameters as follows:

$$Q = \frac{1}{R} \sqrt{\frac{L}{C}}$$

This term is not usually provided on a datasheet. You can calculate its value by matching the sensitivity of torque to driving frequency.

To reverse the motor direction of operation, make the physical signal input v negative.

Assumptions and Limitations

- When the motor is powered, the model is valid only between zero and maximum speed, for the following reasons:
 - Datasheets do not provide information for operation outside of normal range.

- Piezoelectric motors are not designed to operate in the powered braking and generating regions.

The block behaves as follows outside the valid operating region:

- Below zero speed, the model maintains a constant torque that is the zero rpm torque value. The zero rpm torque value is the **Maximum torque** parameter value if the RMS input voltage equals the **Rated RMS voltage** parameter value, and the frequency input equals the **Motor natural frequency** parameter value.
- Above maximum speed, the model produces the negative torque predicted by the equivalent circuit model, but limits the absolute value of the torque to the zero-speed maximum torque.
- The torque-speed characteristics are most representative when operating the model close to the rated voltage and resonant frequency.

Ports

Input

f – Motor driving frequency

physical

Physical signal input port associated with the motor driving frequency, in Hz.

v – RMS supply voltage and direction of rotation

physical

Physical signal input magnitude port specifying the RMS supply voltage, and sign specifying the direction of rotation. If v is positive, then a positive torque acts from port **C** to port **R**.

Output

i – RMS phase current

physical

Physical signal output port associated with the RMS phase current.

ω_m – Rotor speed

physical

Physical signal output port associated with the rotational speed of the rotor.

Conserving

C – Case

mechanical

Mechanical translational conserving port associated with the motor case.

R – Rotor

mechanical

Mechanical translational conserving port associated with the motor rotor.

Parameters

Electrical Torque

Motor natural frequency — Motor natural frequency

40 kHz (default)

Frequency at which the piezoelectric crystal naturally resonates. For most applications, set the input signal at port **f** to this frequency. To slow down the motor, for example in a closed-loop speed control, use a frequency slightly less than the motor natural frequency. The default value is 40kHz.

Rated RMS voltage — Rated RMS voltage

130 V (default)

Voltage at which the motor is designed to operate.

Rated torque — Rated torque

0.5 N*m (default)

Torque the motor delivers at the rated RMS voltage.

Rated rotational speed — Rated rotational speed

100 rpm (default)

Motor speed when the motor drives a load at the rated torque.

No-load maximum rotational speed — No-load maximum rotational speed

160 rpm (default)

Motor rotational speed when driving no load and powered at the rated voltage and driving frequency.

Maximum torque — Maximum torque

1 N*m (default)

Maximum torque that the motor delivers when actively driving a load and powered at the rated voltage and frequency. The default value is 1N*m.

Note The **Holding torque** parameter value, the load torque the motor holds when stationary, may be greater than the **Maximum torque** parameter value.

Resonance quality factor — Resonance quality factor

100 (default)

Quality factor Q that specifies how torque varies as a function of driving frequency. Increasing the quality factor results in a much more rapid decrease in torque as driving frequency is moved away from the natural frequency.

Capacitance per phase — Capacitance per phase

5 nF (default)

Electrical capacitance associated with each of the two motor phases.

Mechanical

Rotor inertia — Rotor inertia

200 g*cm² (default)

Rotor resistance to change in motor motion.

Initial rotor speed — Initial rotor speed

0 (default)

Rotor speed at the start of the simulation.

Motor-Off Friction

Holding torque — Holding torque

1.5 N*m (default)

The sum of the Coulomb and the static frictions. It must be greater than or equal to the **Coulomb friction torque** parameter value.

Coulomb friction torque — Coulomb friction torque

1.0 N*m (default)

The friction that opposes rotation with a constant torque at any velocity.

Viscous friction coefficient — Viscous friction coefficient

0.001 N*m/(rad*s) (default) | nonnegative scalar

Proportionality coefficient between the friction torque and the relative angular velocity.

Transition approximation coefficient — Transition approximation coefficient

10 s/rad (default)

The parameter sets the coefficient value that is used to approximate the transition between the static and the Coulomb frictions. For detailed information about the coefficient, c_v , see the SimscapeRotational Friction block reference page.

Linear region velocity threshold — Linear region velocity threshold

1e-4 rad/s (default)

The parameter sets the small vicinity near zero velocity, within which friction torque is considered to be linearly proportional to the relative velocity. MathWorks recommends that you use values in the range between 1e-5 and 1e-3rad/s.

Extended Capabilities

C/C++ Code Generation

Generate C and C++ code using Simulink® Coder™.

See Also

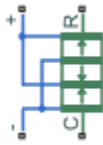
Piezo Linear Actuator

Introduced in R2009a

Piezo Stack

Electrical and force characteristics of piezoelectric stacked actuator

Library: Simscape / Electrical / Electromechanical / Mechatronics / Actuators



Description

The Piezo Stack block represents the electrical and force characteristics of a piezoelectric stacked actuator using the following equations:

$$S = s^E T + d' E$$

$$D = d T + \varepsilon^T E$$

where

- S is the strain tensor.
- T is the stress tensor.
- E is the electric field vector.
- D is the electric displacement vector.
- s^E is the elastic compliance matrix when subjected to a constant electric field.
- d is the piezoelectric constant matrix.
- ε^T is the permittivity measured at a constant stress.

Note The block models one-dimensional lumped parameter behavior, so S , T , E and D are all scalar values.

You can specify the block parameters that determine static force using either datasheet parameters or material properties, as determined by the value of the **Parameterization** parameter on the **Static Force** tab of the block dialog box.

The **Dynamic Forces** tab of the block dialog box lets you include optional effective mass and mechanical damping effects.

- If you specify a nonzero value for the **Effective mass** parameter or a finite value for the **Resonant frequency at constant field** parameter, the block attaches a lumped mass to the mechanical R port. When you specify a finite resonant frequency, the block calculates the effective mass to achieve the correct resonant frequency.
- If you specify a nonzero value for the **Damping** parameter or a finite value for the **Mechanical quality factor** parameter, the block adds a damping term across the **R** to **C** mechanical ports.

When you specify a mechanical quality factor, Q_m , the block calculates the damping from this parameter value as \sqrt{Mk}/Q_m , where k is the short-circuit device stiffness, or equivalently the stiffness at constant field.

A positive voltage across the electrical + to - ports creates a positive displacement acting from the mechanical C to R ports.

Assumptions and Limitations

- The model does not include hysteresis effects.

Ports

Conserving

+ — Positive terminal

electrical

Electrical conserving port associated with the piezo stack positive terminal.

- — Negative terminal

electrical

Electrical conserving port associated with the piezo stack negative terminal.

C — Case

mechanical

Mechanical translational conserving port associated with the case.

R — Rotor

mechanical

Mechanical translational conserving port associated with the rotor.

Parameters

Static Force

Parameterization — Static force parameterization

Specify from a datasheet (default) | Specify material properties

Select one of the following methods for static force parameterization:

- Specify from a datasheet — Provide datasheet parameters that the block converts to static force values.
- Specify material properties — Provide material properties that the block converts to static force values.

Stack area — Cross-sectional stack area

100 mm² (default)

Cross-sectional area of the stack.

Stack length — Stack length

36 mm (default)

Stack length when no load and no electrical potential are applied.

Dependencies

This parameter is visible only when you set the **Parameterization** parameter to Specify from a datasheet.

No-load displacement at V0 volts — No-load unconstrained displacement

0.038 (default)

Unconstrained displacement of the stack when a voltage of V0 volts is applied.

Dependencies

This parameter is visible only when you set the **Parameterization** parameter to Specify from a datasheet.

Blocking force at V0 volts — Blocking force

3800 N (default)

Force the stack produces when a voltage of V0 volts is applied and the stack is physically prevented from expanding.

Dependencies

This parameter is visible only when you set the **Parameterization** parameter to Specify from a datasheet.

Test voltage V0 — Test voltage

120 V (default)

Voltage used to determine the no-load displacement and blocking force.

Dependencies

This parameter is visible only when you set the **Parameterization** parameter to Specify from a datasheet.

Capacitance — Capacitance

13 uF (default)

Capacitance.

Dependencies

This parameter is visible only when you set the **Parameterization** parameter to Specify from a datasheet.

Piezo layer thickness — Piezo layer thickness

0.3 mm (default)

Thickness of each layer in the piezo stack.

Dependencies

This parameter is visible only when you set the **Parameterization** parameter to Specify material properties.

Number of layers — Number of layers

50 (default)

Number of layers in the piezo stack.

Dependencies

This parameter is visible only when you set the **Parameterization** parameter to Specify material properties.

Piezoelectric charge constant — Piezoelectric charge constant

500e-12 m/V (default)

Mechanical strain per unit electric field applied.

Dependencies

This parameter is visible only when you set the **Parameterization** parameter to Specify material properties.

Dielectric constant — Dielectric constant

2.1240e-08 F/m (default)

Permittivity or dielectric displacement per unit electric field measured at constant stress.

Dependencies

This parameter is visible only when you set the **Parameterization** parameter to Specify material properties.

Elastic compliance — Elastic compliance

19e-12 m²/N (default)

Strain produced in a piezoelectric material per unit of stress applied.

Dependencies

This parameter is visible only when you set the **Parameterization** parameter to Specify material properties.

Dynamic Forces**Parameterization — Dynamic force parameterization**

Specify from a datasheet (default) | Specify material properties

Select one of the following methods for dynamic force parameterization:

- **Specify from a datasheet** — Provide datasheet parameters that the block converts to dynamic force values.
- **Specify material properties** — Provide material properties that the block converts to dynamic force values.

Resonant frequency at constant field — Resonant frequency at constant field

inf kHz (default)

Frequency at which the actuator naturally resonates if mechanically perturbed with the electrical ports shorted.

Dependencies

This parameter is visible only when you set the **Parameterization** parameter to Specify from a datasheet.

Mechanical quality factor — Mechanical quality factor

inf (default)

Factor that affects the damping across the **R** and **C** mechanical ports.

Dependencies

This parameter is visible only when you set the **Parameterization** parameter to Specify from a datasheet.

Damping — Translational damping

0 N/(m/s) (default)

Translational damping term.

Dependencies

This parameter is visible only when you set the **Parameterization** parameter to Specify material properties.

Effective mass — Effective mass

0 g (default)

Mass that approximates the distributed dynamics of the device and causes the stack to resonate at the correct frequency when attached to the mechanical R port. This mass is usually about one third of the actual stack mass.

Dependencies

This parameter is visible only when you set the **Parameterization** parameter to Specify material properties.

Initial Conditions**Initial stack deflection — Stack deflection at time zero**

0 mm (default)

Stack deflection at time zero. If you have an external Ideal Translational Motion Sensor block attached across the Piezo Stack block, you must use the same initial deflection parameter for both blocks.

Initial voltage — Initial stack voltage

0 V (default)

Stack voltage at time zero.

Extended Capabilities

C/C++ Code Generation

Generate C and C++ code using Simulink® Coder™.

See Also

Piezo Linear Actuator | Piezo Rotary Actuator

Introduced in R2008b

PMLSM

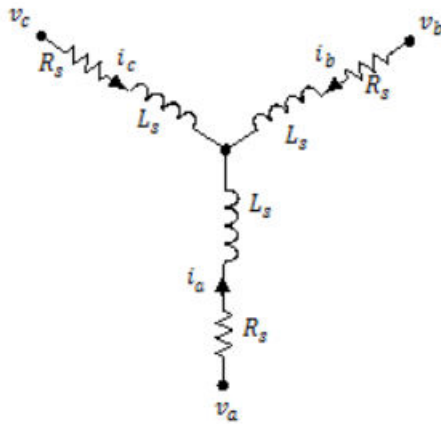
Permanent magnet linear synchronous motor with sinusoidal flux distribution

Library: Simscape / Electrical / Electromechanical / Permanent Magnet

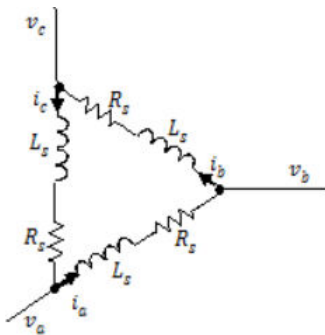


Description

The PMLSM block models a permanent magnet linear synchronous motor with a three-phase wye-wound stator. The figure shows the equivalent electrical circuit for the stator windings.

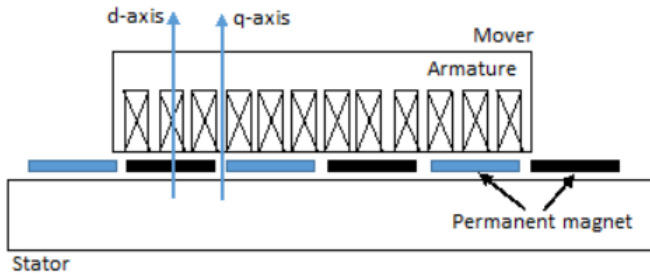


You can also model the permanent magnet linear synchronous motor in a delta-wound configuration by setting **Winding type** to Delta-wound.



Motor Construction

This figure shows the motor construction.



Equations

Voltages across the stator windings are defined by:

$$\begin{bmatrix} v_a \\ v_b \\ v_c \end{bmatrix} = \begin{bmatrix} R_s & 0 & 0 \\ 0 & R_s & 0 \\ 0 & 0 & R_s \end{bmatrix} \begin{bmatrix} i_a \\ i_b \\ i_c \end{bmatrix} + \begin{bmatrix} \frac{d\psi_a}{dt} \\ \frac{d\psi_b}{dt} \\ \frac{d\psi_c}{dt} \end{bmatrix},$$

where:

- v_a , v_b , and v_c are the individual phase voltages across the stator windings.
- R_s is the equivalent resistance of each stator winding.
- i_a , i_b , and i_c are the currents flowing in the stator windings.
- $\frac{d\psi_a}{dt}$, $\frac{d\psi_b}{dt}$, and $\frac{d\psi_c}{dt}$ are the rates of change of magnetic flux in each stator winding.

The permanent magnet and the three windings contribute to the total flux linking each winding. The total flux is defined by:

$$\begin{bmatrix} \psi_a \\ \psi_b \\ \psi_c \end{bmatrix} = \begin{bmatrix} L_{aa} & L_{ab} & L_{ac} \\ L_{ba} & L_{bb} & L_{bc} \\ L_{ca} & L_{cb} & L_{cc} \end{bmatrix} \begin{bmatrix} i_a \\ i_b \\ i_c \end{bmatrix} + \begin{bmatrix} \psi_{am} \\ \psi_{bm} \\ \psi_{cm} \end{bmatrix},$$

where:

- ψ_a , ψ_b , and ψ_c are the total fluxes linking each stator winding.
- L_{aa} , L_{bb} , and L_{cc} are the self-inductances of the stator windings.
- L_{ab} , L_{ac} , L_{ba} , L_{bc} , L_{ca} , and L_{cb} are the mutual inductances of the stator windings.
- ψ_{am} , ψ_{bm} , and ψ_{cm} are the permanent magnet fluxes linking the stator windings.

The inductances in the stator windings are functions of electrical angle, and are defined by:

$$\theta_e = N_p x + \text{rotor offset},$$

$$L_{aa} = L_s + L_m \cos(2\theta_e),$$

$$L_{bb} = L_s + L_m \cos(2(\theta_e - 2\pi/3)),$$

$$L_{cc} = L_s + L_m \cos(2(\theta_e + 2\pi/3)),$$

$$L_{ab} = L_{ba} = -M_s - L_m \cos(2(\theta_e + \pi/6)),$$

$$L_{bc} = L_{cb} = -M_s - L_m \cos(2(\theta_e + \pi/6 - 2\pi/3)),$$

and

$$L_{ca} = L_{ac} = -M_s - L_m \cos(2(\theta_e + \pi/6 + 2\pi/3)),$$

where:

- θ_e is the electrical angle.
- *rotor offset* is θ if you define the rotor electrical angle with respect to the d-axis, or $-\pi/2$ if you define the rotor electrical angle with respect to the q-axis.
- $N_p = \frac{\pi}{\tau}$ and τ is the polar pitch.
- x is the distance.
- L_s is the per-phase stator self-inductance. This value is the average self-inductance of each of the stator windings.
- L_m is the stator inductance fluctuation. This value is the fluctuation in self-inductance and mutual inductance with changing angle.
- M_s is the stator mutual inductance. This value is the average mutual inductance between the stator windings.

The permanent magnet flux linking winding a is a maximum when $\theta_e = 0^\circ$ and zero when $\theta_e = 90^\circ$. Therefore, the linked motor flux is defined by:

$$\begin{bmatrix} \psi_{am} \\ \psi_{bm} \\ \psi_{cm} \end{bmatrix} = \begin{bmatrix} \psi_m \cos \theta_e \\ \psi_m \cos(\theta_e - 2\pi/3) \\ \psi_m \cos(\theta_e + 2\pi/3) \end{bmatrix}$$

where ψ_m is the permanent magnet flux linkage.

Simplified Electrical Equations

Applying Park's transformation to the electrical equations produces an expression for force that is independent of the angle.

Park's transformation is defined by:

$$P = 2/3 \begin{bmatrix} \cos \theta_e & \cos(\theta_e - 2\pi/3) & \cos(\theta_e + 2\pi/3) \\ -\sin \theta_e & -\sin(\theta_e - 2\pi/3) & -\sin(\theta_e + 2\pi/3) \\ 0.5 & 0.5 & 0.5 \end{bmatrix}$$

where θ_e is the electrical angle defined as $N_p x$.

Using Park's transformation on the stator winding voltages and currents transforms them into the dq0 frame, which is independent of the angle:

$$\begin{bmatrix} v_d \\ v_q \\ v_0 \end{bmatrix} = P \begin{bmatrix} v_a \\ v_b \\ v_c \end{bmatrix}$$

and

$$\begin{bmatrix} i_d \\ i_q \\ i_0 \end{bmatrix} = P \begin{bmatrix} i_a \\ i_b \\ i_c \end{bmatrix}.$$

Applying Park's transformation to the first two electrical equations produces the following equations that define the block behavior:

$$v_d = R_s i_d + L_d \frac{di_d}{dt} - N_p v i_q L_q,$$

$$v_q = R_s i_q + L_q \frac{di_q}{dt} + N_p v (i_d L_d + \psi_m),$$

$$v_0 = R_s i_0 + L_0 \frac{di_0}{dt},$$

and

$$F = \frac{3}{2} N_p (i_q (i_d L_d + \psi_m) - i_d i_q L_q),$$

$$M \frac{dv}{dt} = F - F_L - B_m v,$$

where:

- $L_d = L_s + M_s + 3/2 L_m$. L_d is the stator d -axis inductance.
- $L_q = L_s + M_s - 3/2 L_m$. L_q is the stator q -axis inductance.
- $L_0 = L_s - 2M_s$. L_0 is the stator zero-sequence inductance.
- R_s is the stator resistance per phase.
- v is the linear speed.
- N_p is the polar pitch factor.
- M is the mass of the mover.
- B_m is the damping.
- F_L is the load force.

The PMLSM block uses the original, nonorthogonal implementation of the Park transform. If you try to apply the alternative implementation, you get different results for the dq0 voltage and currents.

The relationship between the force constant k_f , the back-emf constant k_e , and the permanent magnet flux linkage is defined as follows:

$$k_e = k_f = N_p \psi_m.$$

Variables

Use the **Variables** settings to specify the priority and initial target values for the block variables before simulation. For more information, see “Set Priority and Initial Target for Block Variables”.

Ports

Conserving

~ — Three-phase port

electrical

Expandable three-phase port.

n — Neutral phase

electrical

Electrical conserving port associated with the neutral phase.

R — Motor mover

mechanical

Mechanical translational conserving port associated with the motor mover.

C — Motor case

mechanical

Mechanical translational conserving port associated with the motor case.

Parameters

Main

Winding type — Windings configuration

Wye-wound (default) | Delta-wound

Configuration for the windings:

- Wye-wound — The windings are wye-wound.
- Delta-wound — The windings are delta-wound. The *a*-phase is connected between ports **a** and **b**, the *b*-phase between ports **b** and **c** and the *c*-phase between ports **c** and **a**.

Modeling fidelity — Modeling fidelity

Constant *L_d*, *L_q* and *PM* (default) | Tabulated *L_d*, *L_q* and *PM*

Modeling fidelity:

- Constant *L_d*, *L_q* and *PM* — The *L_d*, *L_q*, and *PM* values are constant and defined by their respective parameters.
- Tabulated *L_d*, *L_q* and *PM* — The *L_d*, *L_q*, and *PM* values are computed online from DQ current lookup tables as follows:

$$L_d = f_1(i_d, i_q)$$

$$L_d = f_2(i_d, i_q)$$

$$\lambda_{PM} = f_2(i_d, i_q)$$

Dependencies

To enable this parameter, set **Stator parameterization** to Specify Ld, Lq, and L0.

Polar pitch — Polar pitch

0.03 m (default) | scalar

Polar pitch.

Permanent magnet flux linkage parameterization — Permanent magnet flux linkage parameterization

Specify flux linkage (default) | Specify force constant | Specify back EMF constant

Permanent magnet flux linkage, specified as Specify flux linkage, Specify force constant, or Specify back EMF constant.

Permanent magnet flux linkage — Permanent magnet flux linkage

0.03 Wb (default) | scalar

Peak permanent magnet flux linkage with any of the stator windings.

Dependencies

To enable this parameter, set **Permanent magnet flux linkage parameterization** to Specify flux linkage and **Modeling fidelity** to Constant Ld, Lq and PM.

Force constant — Force constant

0.18 N/A (default) | scalar

Force constant for any of the stator windings.

Dependencies

To enable this parameter, set **Permanent magnet flux linkage parameterization** to Specify force constant and **Modeling fidelity** to Constant Ld, Lq and PM.

Back EMF constant — Back EMF constant

0.18 s*V/m (default) | scalar

Back EMF constant for any of the stator windings.

Dependencies

To enable this parameter, set **Permanent magnet flux linkage parameterization** to Specify back EMF constant and **Modeling fidelity** to Constant Ld, Lq and PM.

Stator parameterization — Stator parameterization

Specify Ld, Lq, and L0 (default) | Specify Ls, Lm, and Ms

Stator parameterization, specified as Specify Ld, Lq, and L0 or Specify Ls, Lm, and Ms.

Stator d-axis inductance, Ld — Stator d-axis inductance

0.00019 H (default) | scalar

d-axis inductance.

Dependencies

To enable this parameter, set **Stator parameterization** to Specify Ld, Lq, and L0 and **Modeling fidelity** to Constant Ld, Lq and PM.

Stator q-axis inductance, Lq — Stator q-axis inductance

0.00025 H (default) | scalar

q-axis inductance.

Dependencies

To enable this parameter, set **Stator parameterization** to Specify Ld, Lq, and L0 and **Modeling fidelity** to Constant Ld, Lq and PM.

Stator zero-sequence inductance, L0 — Stator zero-sequence inductance

0.00016 H (default) | scalar

Zero-sequence inductance.

Dependencies

To enable this parameter either:

- Set **Winding Type** to Wye-wound, **Zero sequence** to Include, and **Stator parameterization** to Specify Ld, Lq, and L0.
- Set **Winding Type** to Delta-wound and **Stator parameterization** to Specify Ld, Lq, and L0.

Direct-axis current vector, iD — Direct-axis current vector

[-200, 0, 200] A (default) | vector

Direct-axis current vector, iD.

Dependencies

To enable this parameter, set **Stator parameterization** to Specify Ld, Lq, and L0 and **Modeling fidelity** to Tabulated Ld, Lq and PM.

Quadrature-axis current vector, iQ — Quadrature-axis current vector

[-200, 0, 200] A (default) | vector

Quadrature-axis current vector, iQ.

Dependencies

To enable this parameter, set **Stator parameterization** to Specify Ld, Lq, and L0 and **Modeling fidelity** to Tabulated Ld, Lq and PM.

Ld matrix, Ld(id,iq) — Ld matrix

0.00019 * ones(3, 3) H (default) | matrix

Ld matrix.

Dependencies

To enable this parameter, set **Stator parameterization** to Specify Ld, Lq, and L0 and **Modeling fidelity** to Tabulated Ld, Lq and PM.

Lq matrix, $L_q(i_d, i_q)$ – Lq matrix

0.00025 * ones(3, 3) H (default) | matrix

Lq matrix.

Dependencies

To enable this parameter, set **Stator parameterization** to Specify Ld, Lq, and L0 and **Modeling fidelity** to Tabulated Ld, Lq and PM.

Permanent magnet flux linkage, $PM(i_d, i_q)$ – Permanent magnet flux linkage

0.03 * ones(3, 3) Wb (default)

Permanent magnet flux linkage.

Dependencies

To enable this parameter, set:

- **Stator parameterization** to Specify Ld, Lq, and L0
- **Modeling fidelity** to Tabulated Ld, Lq and PM
- **Permanent magnet flux linkage parameterization** to Specify flux linkage

Force constant matrix, $k_f(i_d, i_q)$ – Force constant matrix

0.18 * ones(3, 3) N/A (default) | matrix

Force constant matrix.

Dependencies

To enable this parameter, set:

- **Stator parameterization** to Specify Ld, Lq, and L0
- **Modeling fidelity** to Tabulated Ld, Lq and PM
- **Permanent magnet flux linkage parameterization** to Specify force constant

Back EMF constant matrix, $k_e(i_d, i_q)$ – Back EMF constant matrix

0.18 * ones(3, 3) s*V/m (default) | matrix

Back EMF constant matrix.

Dependencies

To enable this parameter, set:

- **Stator parameterization** to Specify Ld, Lq, and L0
- **Modeling fidelity** to Tabulated Ld, Lq and PM
- **Permanent magnet flux linkage parameterization** to Specify back EMF constant

Stator self-inductance per phase, L_s – Stator self-inductance per phase

0.0002 H (default) | scalar

Average self-inductance of each of the five stator windings.

Dependencies

To enable this parameter, set **Stator parameterization** to Specify Ls, Lm, and Ms.

Stator inductance fluctuation, Lm — Stator inductance fluctuation

-0.00002 H (default) | scalar

Fluctuation in self-inductance and mutual inductance of the stator windings with angle.

Dependencies

To enable this parameter, set **Stator parameterization** to Specify Ls, Lm, and Ms.

Stator mutual inductance, Ms — Stator mutual inductance

0.00002 H (default) | scalar

Average mutual inductance between the stator windings.

Dependencies

To enable this parameter, set **Stator parameterization** to Specify Ls, Lm, and Ms.

Stator resistance per phase, Rs — Stator resistance per phase

0.013 Ohm (default) | scalar

Resistance of each of the stator windings.

Zero sequence — Zero sequence option

Include (default) | Exclude

Option to include or exclude zero-sequence terms.

- **Include** — Include zero-sequence terms. To prioritize model fidelity, use this default setting. Using this option:
 - Results in an error for simulations that use the Partitioning solver. For more information, see “Increase Simulation Speed Using the Partitioning Solver”.
 - Exposes a zero-sequence parameter.
- **Exclude** — Exclude zero-sequence terms. To prioritize simulation speed for desktop simulation or real-time deployment, select this option.

Dependencies

To enable this parameter, set **Winding Type** to Wye-wound.

Angle definition — Reference point for angle measurement

Angle between the a-phase magnetic axis and the d-axis (default) | Angle between the a-phase magnetic axis and the q-axis

Reference point for the angle measurement. The default value is Angle between the a-phase magnetic axis and the d-axis. This definition is shown in the “Motor Construction” on page 1-1062 figure. When you select this value, the mover and a-phase fluxes are aligned when the mover angle is zero.

The other value you can choose for this parameter is **Angle between the a-phase magnetic axis and the q-axis**. When you select this value, the *a*-phase current generates maximum force when the mover angle is zero.

Mechanical

Mass of the mover — Mass of the mover

0.01 kg (default)

Mass of the motor mover.

Linear damping — Linear damping

0 N/(m/s) (default)

Linear damping.

References

- [1] Kundur, P. *Power System Stability and Control*. New York, NY: McGraw Hill, 1993.
- [2] Anderson, P. M. *Analysis of Faulted Power Systems*. IEEE Press Power Systems Engineering Series, 1995. ISBN 0-7803-1145-0.
- [3] X. Zhang and J. Pan. *Nonlinear Robust Sliding Mode Control for PM Linear Synchronous Motors*. 2006 CES/IEEE 5th International Power Electronics and Motion Control Conference, Shanghai, 2006, pp. 1-5.

Extended Capabilities

C/C++ Code Generation

Generate C and C++ code using Simulink® Coder™.

See Also

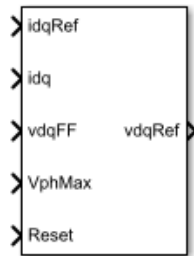
PMSM | Hybrid Excitation PMSM | PMSM (Single-Phase)

Introduced in R2020a

PMSM Current Controller

Discrete-time permanent magnet synchronous machine current controller

Library: Simscape / Electrical / Control / PMSM Control



Description

The PMSM Current Controller block implements a discrete-time PI-based permanent magnet synchronous machine (PMSM) current controller in the rotor d - q reference frame.

You typically use this block in a series of blocks making up a control structure.

- You can generate a current reference in the d - q frame to be used as an input to this block with a PMSM Current Reference Generator.
- You can obtain a voltage reference in the abc domain by converting the output of this block using an Inverse Park Transform block.

You can see an example of a full control structure, from machine measurements to machine inputs, in the PMSM Field-Oriented Control block.

Equations

The block is discretized using the backward Euler method due to its first-order simplicity and its stability.

Two PI current controllers implemented in the rotor reference frame produce the reference voltage vector:

$$v_d^{ref} = \left(K_{p_id} + K_{i_id} \frac{T_s z}{z-1} \right) (i_d^{ref} - i_d) + v_{d_FF},$$

and

$$v_q^{ref} = \left(K_{p_iq} + K_{i_iq} \frac{T_s z}{z-1} \right) (i_q^{ref} - i_q) + v_{q_FF},$$

where:

- v_d^{ref} and v_q^{ref} are the d -axis and q -axis reference voltages, respectively.
- i_d^{ref} and i_q^{ref} are the d -axis and q -axis reference currents, respectively.
- i_d and i_q are the d -axis and q -axis currents, respectively.

- K_{p_id} and K_{p_iq} are the proportional gains for the d -axis and q -axis controllers, respectively.
- K_{i_id} and K_{i_iq} are the integral gains for the d -axis and q -axis controllers, respectively.
- v_{d_FF} and v_{q_FF} are the feedforward voltages for the d -axis and q -axis, respectively, obtained from the machine mathematical equations and provided as inputs.
- T_s is the sample time of the discrete controller.

Zero Cancellation

Using PI control results in a zero in the closed-loop transfer function, which can result in undesired overshoot in the closed-loop response. This zero can be canceled by introducing a zero-cancellation block in the feedforward path. The zero cancellation transfer functions in discrete time are:

$$G_{ZC_id}(z) = \frac{\frac{T_s K_{i_id}}{K_{p_id}}}{z + \left(\frac{T_s - \frac{K_{p_id}}{K_{i_id}}}{\frac{K_{p_id}}{K_{i_id}}} \right)}$$

and

$$G_{ZC_iq}(z) = \frac{\frac{T_s K_{i_iq}}{K_{p_iq}}}{z + \left(\frac{T_s - \frac{K_{p_iq}}{K_{i_iq}}}{\frac{K_{p_iq}}{K_{i_iq}}} \right)}$$

Voltage Saturation

Saturation must be imposed when the stator voltage vector exceeds the voltage phase limit V_{ph_max} :

$$\sqrt{v_d^2 + v_q^2} \leq V_{ph_max},$$

where v_d and v_q are the d -axis and q -axis voltages, respectively.

In the case of axis prioritization, the voltages v_1 and v_2 are introduced, where:

- $v_1 = v_d$ and $v_2 = v_q$ for d -axis prioritization.
- $v_1 = v_q$ and $v_2 = v_d$ for q -axis prioritization.

The constrained (saturated) voltages v_1^{sat} and v_2^{sat} are obtained as follows:

$$v_1^{sat} = \min(\max(v_1^{unsat}, -V_{ph_max}), V_{ph_max})$$

and

$$v_2^{sat} = \min(\max(v_2^{unsat}, -V_{2_max}), V_{2_max}),$$

where:

- v_1^{unsat} and v_2^{unsat} are the unconstrained (unsaturated) voltages.

- v_{2_max} is the maximum value of v_2 that does not exceed the voltage phase limit, given by

$$v_{2_max} = \sqrt{(V_{ph_max})^2 - (v_1^{sat})^2}.$$

In the case that the direct and quadrature axes have the same priority (d-q equivalence) the constrained voltages are obtained as follows:

$$v_d^{sat} = \min(\max(v_d^{unsat}, -V_{d_max}), V_{d_max})$$

and

$$v_q^{sat} = \min(\max(v_q^{unsat}, -V_{q_max}), V_{q_max}),$$

where

$$V_{d_max} = \frac{V_{ph_max}|v_d^{unsat}|}{\sqrt{(v_d^{unsat})^2 + (v_q^{unsat})^2}}$$

and

$$V_{q_max} = \frac{V_{ph_max}|v_q^{unsat}|}{\sqrt{(v_d^{unsat})^2 + (v_q^{unsat})^2}}.$$

Integral Anti-Windup

An anti-windup mechanism is employed to avoid saturation of integrator output. In such a situation, the integrator gains become:

$$K_{i_id} + K_{aw_id}(v_d^{sat} - v_d^{unsat})$$

and

$$K_{i_iq} + K_{aw_iq}(v_q^{sat} - v_q^{unsat}),$$

where K_{aw_id} and K_{aw_iq} are the anti-windup gains for the d -axis and q -axis, respectively.

Assumptions

- The plant model for direct and quadrature axis can be approximated with a first-order system.
- This control solution is used only for permanent magnet synchronous motors with sinusoidal flux distribution and field windings.

Ports

Input

idqRef — Reference currents

vector

Desired d - and q -axis currents for control of a PMSM, in A.

Data Types: single | double

idq — Measured currents

vector

Actual d - and q -axis currents of the controlled PMSM, in A.

Data Types: single | double

vdqFF — Feedforward voltages

vector

Feedforward pre-control voltages, in V.

Data Types: single | double

VphMax — Maximum phase voltage

scalar

Maximum allowable voltage in each phase, in V.

Data Types: single | double

Reset — External reset

scalar

External reset signal (rising edge) for integrators.

Data Types: single | double

Output**vdqRef — Reference voltages**

vector

Desired d - and q -axis voltages for control of a PMSM, in V.

Data Types: single | double

Parameters**Control Parameters****D-axis current proportional gain — D-axis proportional gain**

1 (default) | positive number

Proportional gain of the PI controller used for direct-axis current control.

D-axis current integral gain — D-axis integral gain

100 (default) | positive number

Integrator gain of the PI controller used for direct-axis current control.

D-axis current anti-windup gain — D-axis anti-windup gain

1 (default) | positive number

Anti-windup gain of the PI controller used for direct-axis current control.

Q-axis current proportional gain — Q-axis proportional gain

1 (default) | positive number

Proportional gain of the PI controller used for quadrature-axis current control.

Q-axis current integral gain – Q-axis integral gain

100 (default) | positive number

Integrator gain of the PI controller used for quadrature-axis current control.

Q-axis current anti-windup gain – Q-axis anti-windup gain

1 (default) | positive number

Anti-windup gain of the PI controller used for quadrature-axis current control.

Sample time (-1 for inherited) – Block sample time

-1 (default) | -1 or positive number

Sample time for the block (-1 for inherited). If you use this block inside a triggered subsystem, set the sample time to -1. If you use this block in a continuous variable-step model, you can specify the sample time explicitly.

Axis prioritization – Axis prioritization for voltage limiter

q-axis (default) | d-axis | d-q equivalence

Prioritize or maintain the ratio between the d - and q -axes when the block limits voltage.

Enable zero cancellation – Feedforward zero-cancellation

off (default) | on

Enable or disable zero-cancellation on the feedforward path.

Enable pre-control voltage – Pre-control voltage

on (default) | off

Enable or disable pre-control voltage.

References

- [1] Bernardes, T., V. F. Montagner, H. A. Gründling, and H. Pinheiro. "Discrete-time sliding mode observer for sensorless vector control of permanent magnet synchronous machine." *IEEE Transactions on Industrial Electronics*. Vol. 61, Number 4, 2014, pp. 1679-1691.
- [2] Carpiuc, S., and C. Lazar. "Fast real-time constrained predictive current control in permanent magnet synchronous machine-based automotive traction drives." *IEEE Transactions on Transportation Electrification*. Vol.1, Number 4, 2015, pp. 326-335.

Extended Capabilities

C/C++ Code Generation

Generate C and C++ code using Simulink® Coder™.

See Also

Blocks

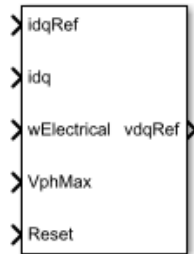
PMSM Current Controller with Pre-Control | PMSM Current Reference Generator

Introduced in R2017b

PMSM Current Controller with Pre-Control

Discrete-time permanent magnet synchronous machine current controller with pre-control

Library: Simscape / Electrical / Control / PMSM Control



Description

The PMSM Current Controller with Pre-Control block implements a discrete-time PI-based permanent magnet synchronous machine (PMSM) current controller in the rotor d - q reference frame with internal feedforward pre-control.

You typically use this block in a series of blocks making up a control structure.

- You can generate a current reference in the d - q frame to be used as an input to this block with a PMSM Current Reference Generator.
- You can obtain a voltage reference in the abc domain by converting the output of this block using an Inverse Park Transform block.

You can see an example of a full control structure, from machine measurements to machine inputs, in the PMSM Field-Oriented Control block.

Equations

The block is discretized using the backward Euler method due to its first-order simplicity and its stability.

Two PI current controllers implemented in the rotor reference frame produce the reference voltage vector:

$$v_d^{ref} = \left(K_{p_id} + K_{i_id} \frac{T_{sZ}}{z-1} \right) (i_d^{ref} - i_d) + v_{d_FF},$$

and

$$v_q^{ref} = \left(K_{p_iq} + K_{i_iq} \frac{T_{sZ}}{z-1} \right) (i_q^{ref} - i_q) + v_{q_FF},$$

where:

- v_d^{ref} and v_q^{ref} are the d -axis and q -axis reference voltages, respectively.
- i_d^{ref} and i_q^{ref} are the d -axis and q -axis reference currents, respectively.

- i_d and i_q are the d -axis and q -axis currents, respectively.
- K_{p_id} and K_{p_iq} are the proportional gains for the d -axis and q -axis controllers, respectively.
- K_{i_id} and K_{i_iq} are the integral gains for the d -axis and q -axis controllers, respectively.
- T_s is the sample time of the discrete controller.
- v_{d_FF} and v_{q_FF} are the feedforward voltages for the d -axis and q -axis, respectively.

The feedforward voltages are obtained from the machine mathematical equations:

$$v_{d_FF} = -\omega_e L_q \dot{i}_q,$$

and

$$v_{q_FF} = \omega_e (L_d \dot{i}_d + \psi_m),$$

where:

- ω_e is the rotor electrical velocity.
- L_d and L_q are the d -axis and q -axis inductances, respectively.
- ψ_m is the permanent magnet flux linkage.

Zero Cancellation

Using PI control results in a zero in the closed-loop transfer function, which can result in undesired overshoot in the closed-loop response. This zero can be canceled by introducing a zero-cancellation block in the feedforward path. The zero cancellation transfer functions in discrete time are:

$$G_{ZC_id}(z) = \frac{\frac{T_s K_{i_id}}{K_{p_id}}}{z + \left(\frac{T_s - \frac{K_{p_id}}{K_{i_id}}}{\frac{K_{p_id}}{K_{i_id}}} \right)},$$

and

$$G_{ZC_iq}(z) = \frac{\frac{T_s K_{i_iq}}{K_{p_iq}}}{z + \left(\frac{T_s - \frac{K_{p_iq}}{K_{i_iq}}}{\frac{K_{p_iq}}{K_{i_iq}}} \right)}.$$

Voltage Saturation

Saturation must be imposed when the stator voltage vector exceeds the voltage phase limit V_{ph_max} :

$$\sqrt{v_d^2 + v_q^2} \leq V_{ph_max},$$

where v_d and v_q are the d -axis and q -axis voltages, respectively.

In the case of axis prioritization, the voltages v_1 and v_2 are introduced, where:

- $v_1 = v_d$ and $v_2 = v_q$ for d -axis prioritization.

- $v_1 = v_q$ and $v_2 = v_d$ for q -axis prioritization.

The constrained (saturated) voltages v_1^{sat} and v_2^{sat} are obtained as follows:

$$v_1^{sat} = \min(\max(v_1^{unsat}, -V_{ph_max}), V_{ph_max})$$

and

$$v_2^{sat} = \min(\max(v_2^{unsat}, -V_{2_max}), V_{2_max}),$$

where:

- v_1^{unsat} and v_2^{unsat} are the unconstrained (unsaturated) voltages.
- v_{2_max} is the maximum value of v_2 that does not exceed the voltage phase limit, given by

$$v_{2_max} = \sqrt{(V_{ph_max})^2 - (v_1^{sat})^2}.$$

In the case that the direct and quadrature axes have the same priority (d-q equivalence), the constrained voltages are obtained as follows:

$$v_d^{sat} = \min(\max(v_d^{unsat}, -V_{d_max}), V_{d_max})$$

and

$$v_q^{sat} = \min(\max(v_q^{unsat}, -V_{q_max}), V_{q_max}),$$

where:

$$V_{d_max} = \frac{V_{ph_max}|v_d^{unsat}|}{\sqrt{(v_d^{unsat})^2 + (v_q^{unsat})^2}}$$

and

$$V_{q_max} = \frac{V_{ph_max}|v_q^{unsat}|}{\sqrt{(v_d^{unsat})^2 + (v_q^{unsat})^2}}.$$

Integral Anti-Windup

An anti-windup mechanism is employed to avoid saturation of integrator output. In such a situation, the integrator gains become:

$$K_{i_id} + K_{aw_id}(v_d^{sat} - v_d^{unsat})$$

and

$$K_{i_iq} + K_{aw_iq}(v_q^{sat} - v_q^{unsat}),$$

where K_{aw_id} , K_{aw_iq} , and K_{aw_if} are the anti-windup gains for the d -axis, q -axis, and field controllers, respectively.

Assumptions

- The plant model for direct and quadrature axis can be approximated with a first-order system.
- This control solution is used only for permanent magnet synchronous motors with sinusoidal flux distribution and field windings.

Ports

Input

idqRef — Reference currents

vector

Desired d - and q -axis currents for control of a PMSM, in A.

Data Types: `single` | `double`

idq — Measured currents

vector

Actual d - and q -axis currents of the controlled PMSM, in A.

Data Types: `single` | `double`

wElectrical — Measured electrical velocity

vector

Rotor electrical velocity used for feedforward pre-control, in rad/s.

Data Types: `single` | `double`

VphMax — Maximum phase voltage

scalar

Maximum allowable voltage in each phase, in V.

Data Types: `single` | `double`

Reset — External reset

scalar

External reset signal (rising edge) for integrators.

Data Types: `single` | `double`

Output

vdqRef — Reference voltages

vector

Desired d - and q -axis voltages for control of a PMSM, in V.

Data Types: `single` | `double`

Parameters

Control Parameters

D-axis current proportional gain — D-axis proportional gain

1 (default) | positive number

Proportional gain of the PI controller used for direct-axis current control.

D-axis current integral gain — D-axis integral gain

100 (default) | positive number

Integrator gain of the PI controller used for direct-axis current control.

D-axis current anti-windup gain — D-axis anti-windup gain

1 (default) | positive number

Anti-windup gain of the PI controller used for direct-axis current control.

Q-axis current proportional gain — Q-axis proportional gain

1 (default) | positive number

Proportional gain of the PI controller used for quadrature-axis current control.

Q-axis current integral gain — Q-axis integral gain

100 (default) | positive number

Integrator gain of the PI controller used for quadrature-axis current control.

Q-axis current anti-windup gain — Q-axis anti-windup gain

1 (default) | positive number

Anti-windup gain of the PI controller used for quadrature-axis current control.

Sample time (-1 for inherited) — Block sample time

-1 (default) | -1 or positive number

Sample time for the block (-1 for inherited). If you use this block inside a triggered subsystem, set the sample time to -1. If you use this block in a continuous variable-step model, you can specify the sample time explicitly.

Axis prioritization — Axis prioritization for voltage limiter

q-axis (default) | d-axis | d-q equivalence

Prioritize or maintain the ratio between d - and q -axes when the block limits voltage.

Enable zero cancellation — Feedforward zero-cancellation

off (default) | on

Enable or disable zero-cancellation on the feedforward path.

Enable pre-control voltage — Pre-control voltage

on (default) | off

Enable or disable pre-control voltage.

Pre-Control Parameters

D-axis current vector, i_d (A) — D-axis current breakpoint vector

$[-200, 0, 200]$ A (default) | monotonically increasing vector

Direct-axis current vector used in the lookup tables for parameters determination. For constant machine parameters, do not change the default.

Q-axis current vector, i_q (A) — Q-axis current breakpoint vector

$[-200, 0, 200]$ A (default) | monotonically increasing vector

Quadrature-axis current vector used in the lookup tables used to determine parameters. For constant machine parameters, do not change the default.

Ld matrix, $L_d(i_d, i_q)$ (H) — D-axis inductance lookup data

$0.0002 * \text{ones}(3, 3)$ H (default) | positive matrix

L_d matrix used as lookup-table data. For constant machine parameters change only the constant factor, for example, $L_d * \text{ones}(3, 3)$.

Lq matrix, $L_q(i_d, i_q)$ (H) — Q-axis inductance lookup data

$0.0002 * \text{ones}(3, 3)$ H (default) | positive matrix

L_q matrix used as lookup-table data. For constant machine parameters change only the constant factor, e.g., $L_q * \text{ones}(3, 3)$.

Permanent magnet flux linkage matrix, $PM(i_d, i_q)$ (Wb) — Flux linkage lookup data

$0.04 * \text{ones}(3, 3)$ Wb (default) | real matrix

Permanent magnet flux linkage matrix used in the lookup table. For constant machine parameters change only the constant factor, for example $psim * \text{ones}(3, 3)$.

References

- [1] Bernardes, T., V. F. Montagner, H. A. Gründling, and H. Pinheiro. "Discrete-time sliding mode observer for sensorless vector control of permanent magnet synchronous machine." *IEEE Transactions on Industrial Electronics*. Vol. 61, Number 4, 2014, pp. 1679-1691.
- [2] Carpiuc, S., and C. Lazar. "Fast real-time constrained predictive current control in permanent magnet synchronous machine-based automotive traction drives." *IEEE Transactions on Transportation Electrification*. Vol.1, Number 4, 2015, pp. 326-335.

Extended Capabilities

C/C++ Code Generation

Generate C and C++ code using Simulink® Coder™.

See Also

Blocks

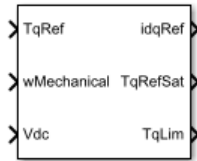
PMSM Current Controller | PMSM Current Reference Generator

Introduced in R2017b

PMSM Current Reference Generator

Permanent magnet synchronous machine current reference generator

Library: Simscape / Electrical / Control / PMSM Control



Description

The PMSM Current Reference Generator block implements a current reference generator for permanent magnet synchronous machine (PMSM) current control in the rotor d - q reference frame.

You typically use this block in a series of blocks making up a control structure.

- You can generate a voltage reference in the d - q frame by placing this block before a PMSM Current Control or PMSM Current Control with Pre-Control block.
- You can implement velocity control by placing this block after a Velocity Controller block.

You can see an example of a full control structure, from machine measurements to machine inputs, in the PMSM Field-Oriented Control block.

Equations

The PMSM Current Reference Generator block can obtain the current reference using one of these methods:

- Zero d -axis control (ZDAC)
- User defined lookup tables
- Automatically generated lookup tables

For the ZDAC method, the block sets the d -axis current reference i_d^{ref} to zero and determines the q -axis current reference i_q^{ref} using the torque equation:

$$i_d^{ref} = 0,$$

and

$$i_q^{ref} = \frac{2T_{ref}}{3p\psi_m},$$

where:

- T_{ref} is the reference torque input.
- p is the number of pole pairs.
- ψ_m is the permanent magnet flux linkage.

For operation below the base speed of the synchronous machine, ZDAC is a suitable method. Above base speed, a field weakening controller is required to adjust the d -axis reference.

To pregenerate optimal current references for several operating points offline, define two lookup tables using the user-defined lookup table approach:

$$i_d^{ref} = f(n_m, T_{ref}, v_{dc}),$$

and

$$i_q^{ref} = g(n_m, T_{ref}, v_{dc}),$$

where:

- n_m is the rotor angular velocity.
- v_{dc} is the DC-link voltage of the converter.

To let the block create the lookup tables, choose the automatically generated lookup table approach. The block generates the lookup table using two strategies:

- Maximum torque per ampere
- Field weakening

The selection between the two strategies is based on the modulation index, which can be computed as follows:

$$M = \frac{V_s}{kV_{ph_max}},$$

where V_s is the stator voltage amplitude, k is the modulation factor, and V_{ph_max} is the maximum allowable phase voltage. In the case that the modulation index is greater than 1, the block generates current references using the field weakening procedure. Otherwise, current references are computed using the maximum torque per ampere procedure.

Maximum Torque Per Ampere

You can generate current references in the constant torque region (occurring below rated speed) by using the maximum torque per ampere (MTPA) strategy.

The direct and quadrature components of the stator current are written in terms of angle and magnitude as:

$$i_d = -I_s \sin\beta,$$

and

$$i_q = I_s \cos\beta,$$

where:

- β is the angle of the stator current vector.
- I_s is the stator current amplitude.

Using the angle-magnitude variant of the d-q currents, the PMSM torque equation is written as:

$$T_e = \frac{3p}{2}\psi_m I_s \cos\beta + \frac{3p}{4}(L_q - L_d)I_s^2 \sin 2\beta,$$

where L_d and L_q are the direct and quadrature inductances, respectively.

To obtain fast transient response and maximize torque with the smallest possible stator current amplitude, MTPA imposes $(dT_e)/d\beta = 0$ to the torque equation, which yields

$$-\frac{3p}{2}\psi_m I_s \sin\beta + \frac{3p}{2}(L_q - L_d)I_s^2(\cos^2\beta - \sin^2\beta) = 0.$$

The MTPA d -axis current i_{d_mtpa} is written in terms of the q -axis component i_{q_mtpa} by substituting the d - q currents back from their angle and magnitude variants:

$$i_{d_mtpa} = \frac{\psi_m}{2(L_q - L_d)} - \sqrt{\frac{\psi_m^2}{4(L_q - L_d)^2} + i_{q_mtpa}^2}.$$

Finally, by plugging the previous equation into the d - q variant of the PMSM torque equation, the following polynomial is obtained:

$$9p^2(L_q - L_d)^2 i_{q_mtpa}^4 + 6T_{ref} p \psi_m i_{q_mtpa} - 4T_{ref}^2 = 0.$$

The q -axis component is obtained by solving this polynomial.

Field Weakening

You can generate current references in the above rated speed region by using the field weakening (FW) strategy.

Above the rated speed, the stator voltage is limited by the power converter and the available DC-link voltage. The maximum stator voltage is:

$$V_s = \sqrt{v_d^2 + v_q^2} \leq V_{ph_max},$$

where V_{ph_max} is the maximum available stator phase voltage.

The steady-state voltage equations for PMSMs are

$$v_d = R_s i_d - \omega_e L_q i_q,$$

and

$$v_q = R_s i_q + \omega_e (L_d i_d + \psi_m).$$

For rotor speeds above rated, the stator resistance is negligible, and the field weakening d -axis current component i_{d_fw} is obtained in terms of the q -axis component i_{q_fw} from the v_q steady-state equation:

$$i_{d_fw} = -\frac{\psi_m}{L_d} + \frac{1}{L_d} \sqrt{\frac{V_{ph_max}^2}{\omega_e^2} - (L_q i_{q_fw})^2},$$

Finally, by plugging the i_{d_fw} equation into the PMSM torque equation, the following polynomial is obtained:

$$9p^2(L_d - L_q)^2 L_q^2 \omega_e^2 i_{q_fw}^4 + (9p^2 \psi_m^2 L_q^2 \omega_e^2 - 9p^2(L_d - L_q)^2 V_{ph_max}^2) i_{q_fw}^2 - 12T_{ref} p \psi_m L_d L_q \omega_e^2 i_{q_fw} + 4T_{ref}^2 L_d^2 \omega_e^2 = 0$$

The q -axis component is obtained by solving this polynomial.

Assumptions

The machine parameters are constants.

Limitations

The automatically generated current references introduce latency in the presimulation phase. For medium-power PMSM drives the latency is around 300 ms.

Ports

Input

TqRef — Reference torque

scalar

Desired mechanical torque produced by the PMSM, in N*m.

Data Types: `single` | `double`

wMechanical — Rotor mechanical speed

scalar

Mechanical angular velocity of the rotor, obtained via direct measurement of the PMSM, in rad/s.

Data Types: `single` | `double`

Vdc — DC-link voltage

scalar

DC-link voltage of the converter, in V. For the ZDAC method, this value is used to limit the output reference torque and torque limit. For the lookup table method, this value is used as an input to the lookup tables.

Data Types: `single` | `double`

Output

idqRef — Reference currents

vector

Reference d - and q -currents to be given as inputs to a PMSM current controller, in A.

Data Types: `single` | `double`

TqRefSat — Reference torque

scalar

Reference torque saturated by the calculated torque limit **TqLim**, in N*m.

Data Types: `single` | `double`

TqLim — Torque limit

scalar

Torque limit imposed by both the electrical and mechanical constraints of the system, in N*m.

Data Types: single | double

Parameters**General Parameters****Nominal dc-link voltage (V) — Rated DC voltage**

300V (default) | positive number

Nominal DC-link voltage of the electrical source.

Maximum power (W) — Rated power

30000W (default) | positive number

Maximum allowable PMSM power.

Maximum torque (N*m) — Rated torque

250N*m (default) | positive number

Maximum allowable PMSM torque.

Sample time (-1 for inherited) — Block sample time

-1 (default) | -1 or positive number

Sample time for the block (-1 for inherited). If you use this block inside a triggered subsystem, set the sample time to -1. If you use this block in a continuous variable-step model, you can specify the sample time explicitly.

Reference Generation Strategy**Current references — Current reference strategy**

Zero d-axis control (default) | Lookup-table based | Automatically generated lookup-table

Select the strategy for determining current references.

Mechanical speed vector, wMechanical (rpm) — Rotor speed lookup vector

[0, 3000] rpm (default) | positive monotonically increasing vector

Speed vector used in the lookup tables for determining current references.

Torque reference vector, TqRef (N*m) — Torque reference lookup vector

[-100, 0, 100]N*m (default) | positive monotonically increasing vector

Torque vector used in the lookup tables for determining current references.

DC-link voltage vector, Vdc (V) — DC-link voltage lookup vector

[300, 350]V (default) | positive monotonically increasing vector

DC-link voltage vector used in the lookup tables for determining current references.

D-axis current reference matrix, $id(wMechanical, TqRef, Vdc)$ (A) — Reference d-axis current values

`zeros(2,3,2)A` (default) | real matrix

Direct-axis current reference lookup data.

Q-axis current reference matrix, $iq(wMechanical, TqRef, Vdc)$ (A) — Reference q-axis current values

`zeros(2,3,2)A` (default) | real matrix

Quadrature-axis current reference lookup data.

PWM method — Pulse width modulation method

SVM: space vector modulation (default) | SPWM: sinusoidal PWM

Specify the waveform technique.

Dependencies

This parameter is only visible when **Current references** is set to Automatically generated lookup-table.

Modulation factor — Modulation factor

1 (default) | positive scalar

Safety factor used to compute the maximum allowed phase voltage for current references generation.

Dependencies

This parameter is only visible when **Current references** is set to Automatically generated lookup-table.

Number of pole pairs — Pole pairs

8 (default) | positive integer

Number of permanent magnet pole pairs on the rotor.

Permanent magnet flux linkage (Wb) — PM Flux Linkage

`0.04Wb` (default) | positive scalar

Peak permanent magnet flux linkage.

D-axis inductance (H) — Inductance of d-axis

`0.00024` (default) | positive scalar

Direct-axis inductance.

Q-axis inductance (H) — Inductance of q-axis

`0.00029` (default) | positive scalar

Quadrature-axis inductance.

Stator resistance (Ohm) — Resistance of stator

`0.01` (default) | positive scalar

Stator resistance per phase.

References

- [1] Haque, M. E., L. Zhong, and M. F. Rahman. "Improved trajectory control for an interior permanent magnet synchronous motor drive with extended operating limit." *Journal of Electrical & Electronics Engineering*. Vol. 22, Number 1, 2003, p. 49.
- [2] Carpiuc, S., C. Lazar, and D. I. Patrascu. "Optimal Torque Control of the Externally Excited Synchronous Machine." *Control Engineering and Applied Informatics*. Vol. 14, Number 2, 2012, pp. 80-88.

Extended Capabilities

C/C++ Code Generation

Generate C and C++ code using Simulink® Coder™.

See Also

Blocks

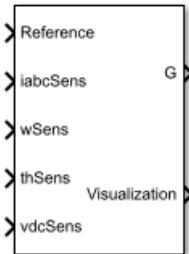
PMSM Current Controller | PMSM Current Controller with Pre-Control

Introduced in R2017b

PMSM Field-Oriented Control

Permanent magnet synchronous machine field-oriented control

Library: Simscape / Electrical / Control / PMSM Control



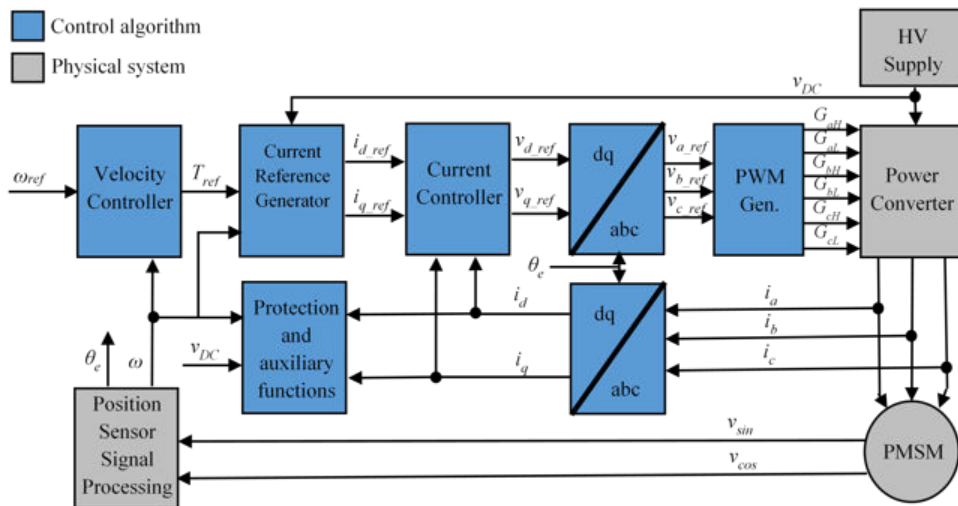
Description

The PMSM Field-Oriented Control block implements a field-oriented control structure for a permanent magnet synchronous machine (PMSM). Field Oriented Control (FOC) is a performant AC motor control strategy that decouples torque and flux by transforming the stationary phase currents to a rotating frame. Use FOC when rotor speed and position are known and your application requires:

- High torque and low current at startup.
- High efficiency.

Equations

The PMSM FOC structure decouples the torque and flux by using the rotor d-q reference frame. This diagram shows the overall architecture of the block.



In the diagram:

- ω and ω_{ref} are the measured and reference angular velocities, respectively.

- T_{ref} is the reference electromagnetic torque.
- i and v are stator currents and voltages and subscripts d and q represent the d -axis and q -axis, and subscripts a , b , and c , represent the three stator windings.
- θ_e is the rotor electrical angle.
- G is a gate pulse, subscripts H and L , represent high and low, and subscripts a , b , and c represent the three stator windings.

You can choose to implement either velocity or torque control with the `Control mode` parameter. The block implements velocity control exactly as shown in the diagram. The block implements torque control by removing the Velocity Controller block and accepting the reference torque directly.

Assumptions

The machine parameters are known.

Limitations

The control structure is implemented with a single sample rate.

Ports

Input

Reference — System reference

scalar

System reference specified as torque reference in N*m or velocity reference in rad/s, depending on the control mode selected.

Data Types: `single` | `double`

iabcSens — Measured phase currents

vector

Measured stator phase currents, in A.

Data Types: `single` | `double`

wSens — Rotor speed

scalar

Measured mechanical angular velocity of rotor, in rad/s.

Data Types: `single` | `double`

thSens — Rotor angle

scalar

Measured mechanical angle of rotor, in rad.

Data Types: `single` | `double`

vdcSens — DC-link voltage

scalar

Measured DC-link voltage, in V.

Data Types: `single` | `double`

Output

G – Gate pulses

`vector`

Six pulse waveforms that determine switching behavior in the attached power converter.

Data Types: `single` | `double`

Visualization – Visualization signals

`bus`

Bus containing signals for visualization, including:

- `Reference`
- `wElectrical`
- `iabc`
- `theta`
- `Vdc`
- `PwmEnable`
- `TqRef`
- `TqLim`
- `idqRef`
- `idq`
- `vdqRef`
- `modWave`

Data Types: `single` | `double`

Parameters

General

Winding Type – Control parameterization

`Wye-wound` (default) | `Delta-wound`

Specify either a wye-wound or a delta-wound parameterization for the reference values of the controller.

Control Mode – Control mode strategy

`Torque control` (default) | `Velocity control`

Specify either a torque control or velocity control strategy.

Nominal dc-link voltage (V) – Rated DC voltage

`300 V` (default) | `positive number`

Nominal DC-link voltage of the electrical source.

Maximum power (W) — Maximum power

35000 W (default) | positive number

Maximum machine power.

Maximum torque (N*m) — Maximum torque

250 N*m (default) | positive number

Maximum machine torque.

Number of rotor pole pairs — Pole pairs

8 (default) | positive integer

Number of permanent magnet pole pairs on the rotor.

Inverter dc-link voltage threshold (V) — DC-link voltage threshold

100 V (default) | positive number

Voltage threshold to activate the power inverter.

Fundamental sample time (s) — Block sample time

5e-6 (default) | positive number

Fundamental sample time for the block.

Control sample time (s) — Control sample time

1e-4 (default) | positive number

Sample time for the control system.

Outer Loop**Control Type — Control type strategy**

PI control (default) | P control | P-PI control

Specify the type of the control strategy.

Controller proportional gain — Proportional gain of PI controller

1 (default) | positive number

Proportional gain of the PI controller.

Controller integral gain — Integral gain of PI controller

1 (default) | positive number

Integral gain of the PI controller.

P controller proportional gain — Proportional gain of P controller

1 (default) | positive number

Proportional gain of P controller.

Integral anti-windup gain — Anti-windup gain

1 (default) | positive number

Anti-windup gain of the PI controller.

Current references — Current reference strategy

Zero d-axis control (default) | Lookup-table based | Automatically generated lookup-table

Select the current reference strategy.

Mechanical speed vector, $w_{\text{Mechanical}}$ (rpm) — Rotor speed lookup vector

[0, 3000] rpm (default) | positive monotonically increasing vector

Speed vector used in the lookup tables for determining current references.

Torque reference vector, T_{qRef} (N*m) — Torque reference lookup vector

[-100, 0, 100] N*m (default) | positive monotonically increasing vector

Torque vector used in the lookup tables for determining current references.

DC-link voltage vector, V_{dc} (V) — DC-link voltage lookup vector

[300, 350] V (default) | positive monotonically increasing vector

: DC-link voltage vector used in the lookup tables for determining current references.

D-axis current reference matrix, $i_{\text{d}}(w_{\text{Mechanical}}, T_{\text{qRef}}, V_{\text{dc}})$ (A) — Reference d-axis current values

$\text{zeros}(2, 3, 2)$ A (default) | real matrix

Direct-axis current reference lookup data.

Q-axis current reference matrix, $i_{\text{q}}(w_{\text{Mechanical}}, T_{\text{qRef}}, V_{\text{dc}})$ (A) — Reference q-axis current values

$\text{zeros}(2, 3, 2)$ A (default) | real matrix

Quadrature-axis current reference lookup data.

Modulation factor — Modulation factor

1 (default) | positive scalar

Safety factor used to compute the maximum allowed phase voltage for current references generation.

Dependencies

This parameter is only visible when **Current references** is set to Automatically generated lookup-table.

Permanent magnet flux linkage (Wb) — PM Flux Linkage

0.04 Wb (default) | positive scalar

Peak permanent magnet flux linkage.

D-axis inductance (H) — Inductance of d-axis

0.00024 (default) | positive scalar

Direct-axis inductance.

Q-axis inductance (H) — Inductance of q-axis

0.00029 (default) | positive scalar

Quadrature-axis inductance.

Stator resistance (0hm) — Resistance of stator

0.01 (default) | positive scalar

Stator resistance per phase.

Inner Loop

D-axis current proportional gain — D-axis proportional gain

1 (default) | positive number

Proportional gain of the PI controller used for direct-axis current control.

D-axis current integral gain — D-axis integral gain

100 (default) | positive number

Integrator gain of the PI controller used for direct-axis current control.

D-axis current anti-windup gain — D-axis anti-windup gain

1 (default) | positive number

Anti-windup gain of the PI controller used for direct-axis current control.

Q-axis current proportional gain — Q-axis proportional gain

1 (default) | positive number

Proportional gain of the PI controller used for quadrature-axis current control.

Q-axis current integral gain — Q-axis integral gain

100 (default) | positive number

Integrator gain of the PI controller used for quadrature-axis current control.

Q-axis current anti-windup gain — Q-axis anti-windup gain

1 (default) | positive number

Anti-windup gain of the PI controller used for quadrature-axis current control.

Axis prioritization — Axis prioritization for voltage limiter

q-axis (default) | d-axis | d-q equivalence

Prioritize or maintain ratio between d - and q -axis when the block limits voltage.

Enable zero cancellation — Feedforward zero cancellation

off (default) | on

Enable or disable zero cancellation on the feedforward path.

Enable pre-control voltage — Precontrol voltage

on (default) | off

Enable or disable precontrol voltage.

Machine parameters — Machine parameterization

Constant parameters (default) | Lookup table based parameters

Specify how to parameterize the machine.

- **Constant parameters** — Specify machine parameters that are constant throughout the simulation.
- **Lookup table based parameters** — Specify machine parameters as lookup tables that depend on current.

D-axis inductance for feed-forward pre-control (H) — Feedforward d-axis inductance

0.00024 (default) | positive scalar

Direct-axis inductance for feedforward precontrol.

Q-axis inductance for feedforward precontrol (H) — Feedforward q-axis inductance

0.00029 (default) | positive scalar

Quadrature-axis inductance for feed-forward pre-control.

Permanent magnet flux linkage for feedforward pre-control (H) — Feedforward flux linkage

0.04 (default) | scalar

Permanent magnet flux linkage for feedforward pre-control.

D-axis current vector, i_d (A) — D-axis current breakpoint vector

[-200, 0, 200] A (default) | monotonically increasing vector

Direct-axis current vector used in the lookup tables for parameters determination. For constant machine parameters, do not change the default.

Q-axis current vector, i_q (A) — Q-axis current breakpoint vector

[-200, 0, 200] A (default) | monotonically increasing vector

Quadrature-axis current vector used in the lookup tables for parameters determination. For constant machine parameters, do not change the default.

L_d matrix, $L_d(i_d, i_q)$ (H) — D-axis inductance lookup data

0.0002 * ones(3, 3) H (default) | positive matrix

L_d matrix used as lookup table data. For constant machine parameters change only the constant factor, for example, $L_d * \text{ones}(3, 3)$.

L_q matrix, $L_q(i_d, i_q)$ (H) — Q-axis inductance lookup data

0.0002 * ones(3, 3) H (default) | positive matrix

L_q matrix used as lookup table data. For constant machine parameters change only the constant factor, for example, $L_q * \text{ones}(3, 3)$.

Permanent magnet flux linkage matrix, $PM(i_d, i_q)$ (Wb) — Flux linkage lookup data

0.04 * ones(3, 3) Wb (default) | real matrix

Permanent magnet flux linkage matrix used in the lookup table. For constant machine parameters change only the constant factor, for example, $psim * \text{ones}(3, 3)$.

PWM**PWM method — Pulse width modulation method**

SVM: space vector modulation (default) | SPWM: sinusoidal PWM

Specify the waveform technique.

Sampling mode — Wave-sampling method

Natural (default) | Asymmetric | Symmetric

Specify whether the block samples the modulation waveform when the waves intersect or when the carrier wave is at one or both of its boundary conditions.

Switching frequency (Hz) — Switching rate

1000 (default) | positive integer

Specify the rate at which you want the switches in the power converter to switch.

References

- [1] Bernardes, T., V. F. Montagner, H. A. Gründling, and H. Pinheiro. "Discrete-time sliding mode observer for sensorless vector control of permanent magnet synchronous machine." *IEEE Transactions on Industrial Electronics*. Vol. 61, Number 4, 2014, pp. 1679-1691.
- [2] Carpiuc, S., and C. Lazar. "Fast real-time constrained predictive current control in permanent magnet synchronous machine-based automotive traction drives." *IEEE Transactions on Transportation Electrification*. Vol.1, Number 4, 2015, pp. 326-335.
- [3] Haque, M. E., L. Zhong, and M. F. Rahman. "Improved trajectory control for an interior permanent magnet synchronous motor drive with extended operating limit." *Journal of Electrical & Electronics Engineering*. Vol. 22, Number 1, 2003, p. 49.
- [4] Yang, N., G. Luo, W. Liu, and K. Wang. "Interior permanent magnet synchronous motor control for electric vehicle using look-up table." *In 7th International Power Electronics and Motion Control Conference*. Vol. 2, 2012, pp. 1015-1019.

Extended Capabilities**C/C++ Code Generation**

Generate C and C++ code using Simulink® Coder™.

See Also**Blocks**

PMSM Current Controller | PMSM Current Controller with Pre-Control | PMSM Current Reference Generator

Topics

"Three-Phase PMSM Drive"

Introduced in R2017b

PMSM Field-Weakening Controller

Permanent magnet synchronous machine field-weakening controller

Library: Simscape / Electrical / Control / PMSM Control



Description

The PMSM Field-Weakening Controller block implements a field-weakening controller for a permanent magnet synchronous machine (PMSM).

Use this block to enforce phase voltage constraints on a current-controlled PMSM. The block decreases the PMSM phase voltage by adjusting the angle of the reference current vector when the voltage vector magnitude exceeds its limit. The block does not adjust the amplitude of the current vector.

You can use this block as part of a PMSM control system:

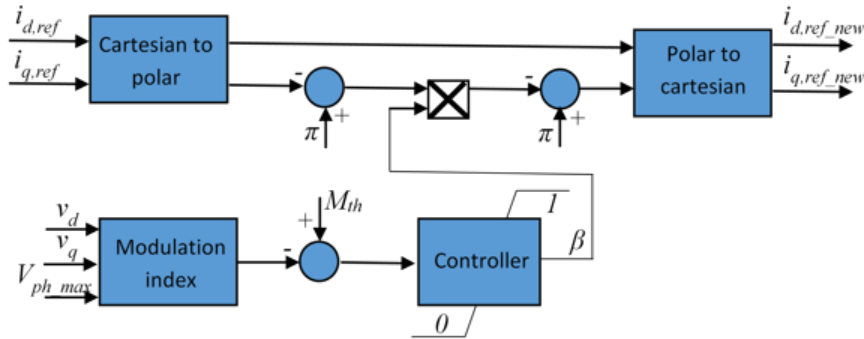
- Use the zero d -axis control technique to generate an unconstrained current reference vector to drive the PMSM. You can implement this strategy with the PMSM Current Reference Generator block.
- Use this block to adjust the angle of the current reference vector in order to satisfy voltage phase constraints.
- Use a PMSM Current Controller to generate a voltage reference vector to drive the PMSM.

Equations

An internal integral controller outputs a factor $\beta \in [0,1]$, which is determined by how closely the required stator voltage approaches the saturated voltage value at any instant in time:

- When the required stator voltage exceeds the limit, β tends to 0, decreasing the q -axis current.
- When the required stator voltage is within its limit, β tends to 1 and the angle remains unchanged.

This diagram shows the structure of the field-weakening controller.



In the diagram, you provide the modulation index threshold M_{th} as an input parameter to the block, and the block computes the modulation index M as the ratio between the actual phase voltage and the maximum available phase voltage V_{ph_max} :

$$M = \frac{\sqrt{v_d^2 + v_q^2}}{V_{ph_max}}$$

where v_d and v_q are the d -axis and q -axis components of the voltage vector.

Ports

Input

idqRef — Reference currents

vector

Desired d - and q -axis currents for control of permanent magnet synchronous motor, in A.

Data Types: single | double

vdq — Voltages

vector

Direct and quadrature axis voltages of permanent magnet synchronous motor, in V.

Data Types: single | double

VphMax — Maximum phase voltage

scalar

Maximum allowable voltage in each phase, in V.

Data Types: single | double

Output

idqRefFW — Field-weakening reference currents

vector

Field-weakening reference direct and quadrature axis currents, in A.

Data Types: single | double

Parameters

Modulation index threshold — Modulation index threshold

1 (default) | positive number

Reference modulation index.

Field-weakening controller integral gain — Integral gain

100 (default) | positive number

Integrator gain of the field-weakening controller.

Integral anti-windup gain — Anti-windup gain

10 (default) | positive number

Anti-windup gain of the field-weakening controller.

Sample time (-1 for inherited) — Block sample time

-1 (default) | -1 or positive number

Sample time for the block (-1 for inherited). If you use this block inside a triggered subsystem, set the sample time to -1. If you use this block in a continuous variable-step model, set the sample time explicitly.

References

- [1] Wai, J., and T. M. Jahns. "A new control technique for achieving wide constant power speed operation with an interior PM alternator machine." *In Industry Applications Conference*. Vol. 2, 2001, pp. 807-814.

Extended Capabilities

C/C++ Code Generation

Generate C and C++ code using Simulink® Coder™.

See Also

Blocks

PMSM Current Controller | PMSM Current Reference Generator

Topics

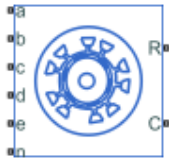
"PMSM Field-Weakening Control"

Introduced in R2017b

PMSM (Five-Phase)

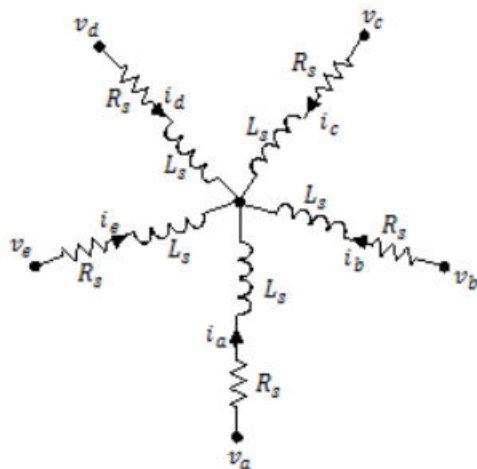
Five-phase permanent magnet synchronous motor with sinusoidal flux distribution

Library: Simscape / Electrical / Electromechanical / Permanent Magnet

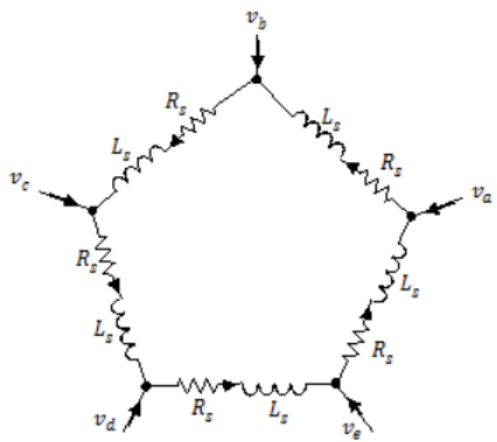


Description

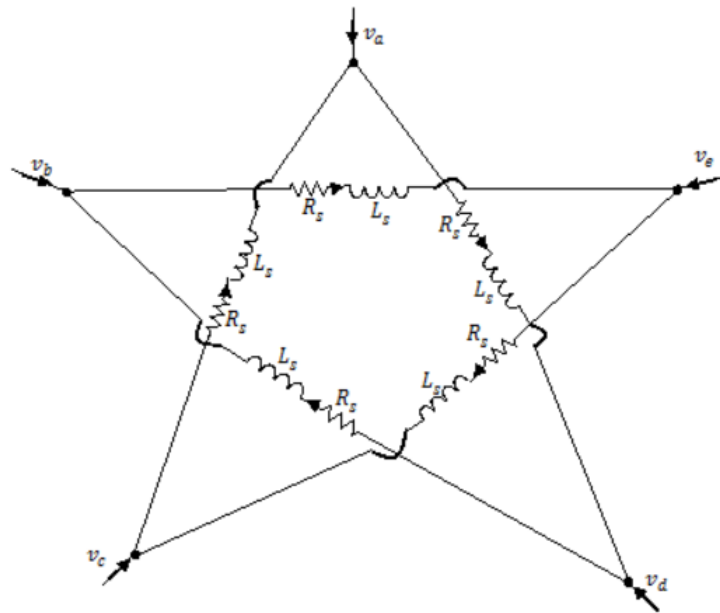
The PMSM (Five-Phase) block models a permanent magnet synchronous motor with a five-phase star-wound stator. The figure shows the equivalent electrical circuit for the star-connected stator windings.



You can also model the permanent magnet synchronous motor either in a pentagon-wound or a pentacle-wound configuration by setting **Winding type** to Pentagon-wound or Pentacle-wound.



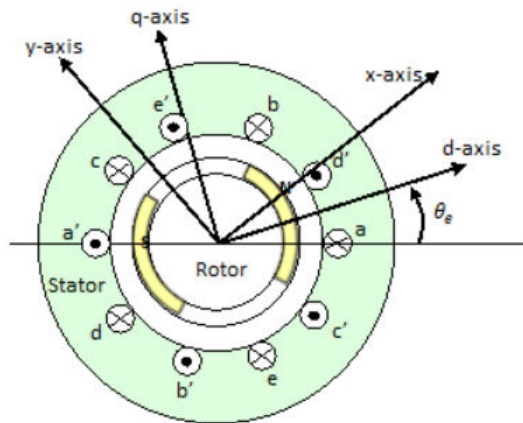
Pentagon connection



Pentade connection

Motor Construction

This figure shows the motor construction with a single pole-pair on the rotor.



Permanent magnets generate a rotor magnetic field that creates a sinusoidal rate of change of flux with rotor angle.

For the axes convention in the preceding figure, the a -phase and permanent magnet fluxes are aligned when the rotor mechanical angle, θ_r , is zero. The block supports a second rotor axis definition in which the rotor mechanical angle is defined as the angle between the a -phase magnetic axis and the rotor q -axis.

Equations

The voltages across the stator windings are defined by:

$$\begin{bmatrix} v_a \\ v_b \\ v_c \\ v_d \\ v_e \end{bmatrix} = \begin{bmatrix} R_s & 0 & 0 & 0 & 0 \\ 0 & R_s & 0 & 0 & 0 \\ 0 & 0 & R_s & 0 & 0 \\ 0 & 0 & 0 & R_s & 0 \\ 0 & 0 & 0 & 0 & R_s \end{bmatrix} \begin{bmatrix} i_a \\ i_b \\ i_c \\ i_d \\ i_e \end{bmatrix} + \begin{bmatrix} \frac{d\psi_a}{dt} \\ \frac{d\psi_b}{dt} \\ \frac{d\psi_c}{dt} \\ \frac{d\psi_d}{dt} \\ \frac{d\psi_e}{dt} \end{bmatrix},$$

where:

- $v_a, v_b, v_c, v_d,$ and v_e are the individual phase voltages across the stator windings.
- R_s is the equivalent resistance of each stator winding.
- $i_a, i_b, i_c, i_d,$ and i_e are the currents flowing in the stator windings.
- $\frac{d\psi_a}{dt}, \frac{d\psi_b}{dt}, \frac{d\psi_c}{dt}, \frac{d\psi_d}{dt},$ and $\frac{d\psi_e}{dt}$ are the rates of change of magnetic flux in each stator winding.

The permanent magnet and the five windings contribute to the total flux linking each winding. The total flux is defined by:

$$\begin{bmatrix} \psi_a \\ \psi_b \\ \psi_c \\ \psi_d \\ \psi_e \end{bmatrix} = \begin{bmatrix} L_{aa} & L_{ab} & L_{ac} & L_{ad} & L_{ae} \\ L_{ba} & L_{bb} & L_{bc} & L_{bd} & L_{be} \\ L_{ca} & L_{cb} & L_{cc} & L_{cd} & L_{ce} \\ L_{da} & L_{db} & L_{dc} & L_{dd} & L_{de} \\ L_{ea} & L_{eb} & L_{ec} & L_{ed} & L_{ee} \end{bmatrix} \begin{bmatrix} i_a \\ i_b \\ i_c \\ i_d \\ i_e \end{bmatrix} + \begin{bmatrix} \psi_{am} \\ \psi_{bm} \\ \psi_{cm} \\ \psi_{dm} \\ \psi_{em} \end{bmatrix},$$

where:

- $\psi_a, \psi_b, \psi_c, \psi_d,$ and ψ_e are the total fluxes that link each stator winding.
- $L_{aa}, L_{bb}, L_{cc}, L_{dd},$ and L_{ee} are the self-inductances of the stator windings.
- $L_{ab}, L_{ac}, L_{ba},$ and so on, are the mutual inductances of the stator windings.
- $\psi_{am}, \psi_{bm}, \psi_{cm}, \psi_{dm},$ and ψ_{em} are the permanent magnet fluxes linking the stator windings.

The inductances in the stator windings are functions of rotor electrical angle, defined by:

$$\theta_e = N\theta_r + \text{rotor offset}$$

$$L_{aa} = L_s + L_m \cos(2\theta_e),$$

$$L_{bb} = L_s + L_m \cos(2(\theta_e - 2\pi/5)),$$

$$L_{cc} = L_s + L_m \cos(2(\theta_e - 4\pi/5)),$$

$$L_{dd} = L_s + L_m \cos(2(\theta_e + 4\pi/5)),$$

$$L_{ee} = L_s + L_m \cos(2(\theta_e + 2\pi/5)),$$

$$L_{ab} = L_{ba} = L_{ce} = L_{ec} = -M_s + L_m \cos(2\theta_e - 2\pi/5),$$

$$\begin{aligned}
 L_{bc} = L_{cb} &= -M_s + L_m \cos(2\theta_e - 6\pi/5), \\
 L_{cd} = L_{dc} = L_{be} = L_{eb} &= -M_s + L_m \cos(2\theta_e), \\
 L_{de} = L_{ed} &= -M_s + L_m \cos(2\theta_e + 6\pi/5), \\
 L_{ea} = L_{ae} = L_{bd} = L_{db} &= -M_s + L_m \cos(2\theta_e + 2\pi/5), \\
 L_{ac} = L_{ca} &= -M_s + L_m \cos(2\theta_e - 4\pi/5),
 \end{aligned}$$

and

$$L_{ad} = L_{da} = -M_s + L_m \cos(2\theta_e + 4\pi/5),$$

where:

- θ_r is the rotor mechanical angle.
- θ_e is the rotor electrical angle.
- *rotor offset* is θ if you define the rotor electrical angle with respect to the d-axis, or $-\pi/2$ if you define the rotor electrical angle with respect to the q-axis.
- L_s is the stator per-phase self-inductance. This value is the average self-inductance of each of the stator windings.
- L_m is the stator inductance fluctuation. This value is the fluctuation in self-inductance and mutual inductance with changing rotor angle.
- M_s is the stator mutual inductance. This value is the average mutual inductance between the stator windings.

The permanent magnet flux linking winding $a-a'$ is at maximum when $\theta_e = 0^\circ$ and zero when $\theta_e = 90^\circ$. Therefore, the linked motor flux is defined by:

$$\begin{bmatrix} \psi_{am} \\ \psi_{bm} \\ \psi_{cm} \\ \psi_{dm} \\ \psi_{em} \end{bmatrix} = \begin{bmatrix} \psi_m \cos \theta_e \\ \psi_m \cos(\theta_r - 2\pi/5) \\ \psi_m \cos(\theta_r - 4\pi/5) \\ \psi_m \cos(\theta_r + 4\pi/5) \\ \psi_m \cos(\theta_r + 2\pi/5) \end{bmatrix},$$

where ψ_m is the permanent magnet flux linkage.

Simplified Electrical Equations

To remove the rotor angle dependence for the inductive terms, you perform a transformation, T , on the motor equations.

The T transformation is defined by:

$$T(\theta_e) = \frac{2}{5} \begin{bmatrix} \sin \theta_e & \sin(\theta_e - 2\pi/5) & \sin(\theta_e - 4\pi/5) & \sin(\theta_e + 4\pi/5) & \sin(\theta_e + 2\pi/5) \\ \cos \theta_e & \cos(\theta_e - 2\pi/5) & \cos(\theta_e - 4\pi/5) & \cos(\theta_e + 4\pi/5) & \cos(\theta_e + 2\pi/5) \\ \sin \theta_e & \sin(\theta_e + 4\pi/5) & \sin(\theta_e - 2\pi/5) & \sin(\theta_e + 2\pi/5) & \sin(\theta_e - 4\pi/5) \\ \cos \theta_e & \cos(\theta_e + 4\pi/5) & \cos(\theta_e - 2\pi/5) & \cos(\theta_e + 2\pi/5) & \cos(\theta_e - 4\pi/5) \\ 1/\sqrt{2} & 1/\sqrt{2} & 1/\sqrt{2} & 1/\sqrt{2} & 1/\sqrt{2} \end{bmatrix},$$

where θ_e is the electrical angle defined as $N\theta_r$. N is the number of pole pairs.

The transformation matrix has the following pseudo-orthogonal property:

$$T^{-1}(\theta_e) = \frac{5}{2}T^t(\theta_e).$$

Using the T transformation on the stator winding voltages and currents transforms them to the dq0 and xy frames, which are independent of the rotor angle:

$$\begin{bmatrix} v_{ds} \\ v_{qs} \\ v_x \\ v_y \\ v_0 \end{bmatrix} = T \begin{bmatrix} v_a \\ v_b \\ v_c \\ v_d \\ v_e \end{bmatrix}$$

and

$$\begin{bmatrix} i_{ds} \\ i_{qs} \\ i_x \\ i_y \\ i_0 \end{bmatrix} = T \begin{bmatrix} i_a \\ i_b \\ i_c \\ i_d \\ i_e \end{bmatrix}.$$

Applying this transformation to the first two electrical equations produces the following equations that define the block behavior:

$$v_{ds} = R_s i_{ds} + L_d \frac{di_{ds}}{dt} - N\omega i_{qs} L_q,$$

$$v_{qs} = R_s i_{qs} + L_q \frac{di_{qs}}{dt} + N\omega(i_{ds} L_d + \psi_m),$$

$$v_x = R_s i_x + L_d \frac{di_x}{dt},$$

$$v_y = R_s i_y + L_d \frac{di_y}{dt},$$

$$v_0 = R_s i_0 + L_0 \frac{di_0}{dt},$$

and

$$T = \frac{5}{2}N(i_{qs}(i_{ds} L_d + \psi_m) - i_{ds} i_{qs} L_q),$$

where:

- $L_d = L_s + M_s + 5/2 L_m$. L_d is the stator d -axis inductance.
- $L_q = L_s + M_s - 5/2 L_m$. L_q is the stator q -axis inductance.
- $L_0 = L_s - 4M_s$. L_0 is the stator zero-sequence inductance.

- ω is the rotor mechanical rotational speed.
- N is the number of rotor permanent magnet pole pairs.

Alternative Flux Linkage Parameterization

You can parameterize the motor by using the back EMF or torque constants, which are more commonly given on motor datasheets, by using the **Permanent magnet flux linkage** option.

The back EMF constant is defined as the peak voltage induced by the permanent magnet in each of the phases' per-unit rotational speed. It is related to peak permanent magnet flux linkage by:

$$k_e = N\psi_m.$$

From this definition, it follows that the back EMF, e_{ph} , for one phase is given by:

$$e_{ph} = k_e\omega.$$

The torque constant is defined as the peak torque induced by each of the phases' per-unit current. It is numerically identical in value to the back EMF constant when both are expressed in SI units:

$$k_t = N\psi_m.$$

When $L_d = L_q$, and when the currents in all five phases are balanced, it follows that the combined torque T is given by:

$$T = \frac{5}{2}k_t i_q = \frac{5}{2}k_t I_{pk},$$

where I_{pk} is the peak current in any of the three windings.

The factor 5/2 is calculated from the steady-state sum of the torques from all phases. Therefore the torque constant k_t could also be defined as:

$$k_t = \frac{2}{5} \left(\frac{T}{I_{pk}} \right),$$

where T is the measured total torque when testing with a balanced three-phase current with a peak line voltage of I_{pk} . The RMS line voltage is measured as:

$$k_t = \sqrt{\frac{2}{5}} \left(\frac{T}{i_{line, rms}} \right).$$

Variables

Use the **Variables** settings to specify the priority and initial target values for the block variables before simulation. For more information, see "Set Priority and Initial Target for Block Variables".

Ports

Conserving

a — a-phase

electrical

Electrical conserving port associated with a -phase.

b — b-phase

electrical

Electrical conserving port associated with *b*-phase.

c — c-phase

electrical

Electrical conserving port associated with *c*-phase.

d — d-phase

electrical

Electrical conserving port associated with *d*-phase.

e — e-phase

electrical

Electrical conserving port associated with *e*-phase.

n — Neutral phase

electrical

Electrical conserving port associated with the neutral phase.

R — Motor rotor

mechanical

Mechanical rotational conserving port associated with the motor rotor.

C — Motor case

mechanical

Mechanical rotational conserving port associated with the motor case.

Parameters**Main****Winding type — Windings configuration**

Star-wound (default) | Pentagon-wound | Pentacle-wound

Configuration for the windings:

- **Star-wound** — The windings are star-wound.
- **Pentagon-wound** — The windings are pentagon-wound. The *a*-phase is connected between ports **a** and **b**, the *b*-phase between ports **b** and **c**, the *c*-phase between ports **c** and **d**, the *d*-phase between ports **d** and **e**, and the *e*-phase between ports **e** and **a**.
- **Pentacle-wound** — The windings are pentacle-wound. The *a*-phase is connected between ports **a** and **d**, the *b*-phase between ports **b** and **e**, the *c*-phase between ports **c** and **a**, the *d*-phase between ports **d** and **b**, and the *e*-phase between ports **e** and **c**.

Number of pole pairs — Number of pole pairs

6 (default) | scalar

Number of permanent magnet pole pairs on the rotor.

Permanent magnet flux linkage parameterization — Permanent magnet flux linkage parameterization

Specify flux linkage (default) | Specify torque constant | Specify back EMF constant

Permanent magnet flux linkage, specified as Specify flux linkage, Specify torque constant, or Specify back EMF constant.

Permanent magnet flux linkage — Permanent magnet flux linkage

0.03 Wb (default)

Peak permanent magnet flux linkage with any of the stator windings.

Dependencies

To enable this parameter, set **Permanent magnet flux linkage** to Specify flux linkage.

Torque constant — Torque constant

0.18 N*m/A (default)

Torque constant with any of the stator windings.

Dependencies

To enable this parameter, set **Permanent magnet flux linkage** to Specify torque constant.

Back EMF constant — Back EMF constant

0.18 V/(rad/s) (default)

Back EMF constant with any of the stator windings.

Dependencies

To enable this parameter, set **Permanent magnet flux linkage** to Specify back EMF constant.

Stator parameterization — Stator parameterization

Specify Ld, Lq, and L0 (default) | Specify Ls, Lm, and Ms

Stator parameterization, specified as Specify Ld, Lq, and L0 or Specify Ls, Lm, and Ms.

Stator d-axis inductance, Ld — Stator d-axis inductance

0.00019 H (default)

d-axis inductance.

Dependencies

To enable this parameter, set **Stator parameterization** to Specify Ld, Lq, and L0.

Stator q-axis inductance, Lq — Stator q-axis inductance

0.00025 H (default)

q-axis inductance.

Dependencies

To enable this parameter, set **Stator parameterization** to Specify Ld, Lq, and L0.

Stator zero-sequence inductance, L0 — Stator zero-sequence inductance

0.00016 H (default)

Zero-sequence inductance.

Dependencies

To enable this parameter either:

- Set **Winding Type** to Star-wound, **Zero sequence** to Include, and **Stator parameterization** to Specify Ld, Lq, and L0.
- Set **Winding Type** to Pentagon-wound.
- Set **Winding Type** to Pentacle-wound.

Stator self-inductance per phase, Ls — Stator self-inductance per phase

0.0002 H (default)

Average self-inductance of each of the five stator windings.

Dependencies

To enable this parameter, set **Stator parameterization** to Specify Ls, Lm, and Ms.

Stator inductance fluctuation, Lm — Stator inductance fluctuation

-0.00002 H (default)

Fluctuation in self-inductance and mutual inductance of the stator windings with rotor angle.

Dependencies

To enable this parameter, set **Stator parameterization** to Specify Ls, Lm, and Ms.

Stator mutual inductance, Ms — Stator mutual inductance

0.00002 H (default)

Average mutual inductance between the stator windings.

Dependencies

To enable this parameter, set **Stator parameterization** to Specify Ls, Lm, and Ms.

Stator resistance per phase, Rs — Stator resistance per phase

0.013 Ohm (default)

Resistance of each of the stator windings.

Zero sequence — Zero sequence option

Include (default) | Exclude

Whether to include or exclude zero-sequence terms.

- **Include** — Include zero-sequence terms. To prioritize model fidelity, use this default setting. Using this option:

- Results in an error for simulations that use the Partitioning solver. For more information, see “Increase Simulation Speed Using the Partitioning Solver”.
- Exposes a zero-sequence parameter in the **Impedances** settings.
- **Exclude** — Exclude zero-sequence terms. To prioritize simulation speed for desktop simulation or real-time deployment, select this option.

Dependencies

To enable this parameter, set the **Winding Type** to Star-wound.

Rotor angle definition — Reference point for the rotor angle measurement

Angle between the a-phase magnetic axis and the d-axis (default) | Angle between the a-phase magnetic axis and the q-axis

Reference point for the rotor angle measurement. The default value is **Angle between the a-phase magnetic axis and the d-axis**. This definition is shown in the “Motor Construction” on page 1-1062 figure. When you select this value, the rotor and a-phase fluxes are aligned when the rotor angle is zero.

The other value you can choose for this parameter is **Angle between the a-phase magnetic axis and the q-axis**. When you select this value, the a-phase current generates maximum torque when the rotor angle is zero.

Mechanical

Rotor inertia — Rotor inertia

0.01 kg*m² (default)

Inertia of the rotor attached to mechanical translational port **R**. The value can be zero.

Rotor damping — Rotor damping

0 N*m/(rad/s) (default)

Rotary damping.

References

- [1] L. Parsa and H. A. Toliyat. *Sensorless Direct Torque Control of Five-Phase Interior Permanent-Magnet Motor Drives*. IEEE Transactions on Industry Applications, vol. 43, no. 4, pp.952-959, July-Aug., 2007.
- [2] Anderson, P. M. *Analysis of Faulted Power Systems*. IEEE Press Power Systems Engineering Series, 1995. ISBN 0-7803-1145-0.

Extended Capabilities

C/C++ Code Generation

Generate C and C++ code using Simulink® Coder™.

See Also

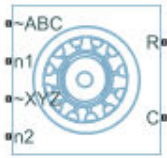
PMSM | Hybrid Excitation PMSM | PMSM (Single-Phase)

Introduced in R2020a

PMSM (Six-Phase)

Six-phase permanent magnet synchronous motor with sinusoidal flux distribution

Library: Simscape / Electrical / Electromechanical / Permanent Magnet

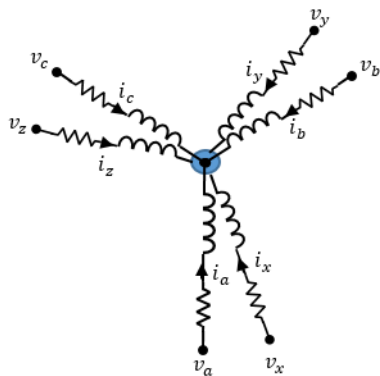


Description

The PMSM (Six-Phase) block models a permanent magnet synchronous machine (PMSM) with a six-phase star-wound stator.

A six-phase PMSM has two groups of three-phase stator windings: the ABC group and the XYZ group. These two groups have a 30 degree phase shift.

The figure shows the equivalent electrical circuit for the stator windings.



Equations

The voltages across the stator windings are defined by:

$$\begin{bmatrix} v_a \\ v_b \\ v_c \\ v_x \\ v_y \\ v_z \end{bmatrix} = \begin{bmatrix} R_s & 0 & 0 & 0 & 0 & 0 \\ 0 & R_s & 0 & 0 & 0 & 0 \\ 0 & 0 & R_s & 0 & 0 & 0 \\ 0 & 0 & 0 & R_s & 0 & 0 \\ 0 & 0 & 0 & 0 & R_s & 0 \\ 0 & 0 & 0 & 0 & 0 & R_s \end{bmatrix} \begin{bmatrix} i_a \\ i_b \\ i_c \\ i_x \\ i_y \\ i_z \end{bmatrix} + \begin{bmatrix} \frac{d\psi_a}{dt} \\ \frac{d\psi_b}{dt} \\ \frac{d\psi_c}{dt} \\ \frac{d\psi_x}{dt} \\ \frac{d\psi_y}{dt} \\ \frac{d\psi_z}{dt} \end{bmatrix},$$

where:

- v_a , v_b , and v_c are the individual phase voltages from port **~ABC** to neutral port **n1**.
- v_x , v_y , and v_z are the individual phase voltages from port **~XYZ** to neutral port **n2**.
- R_s is the equivalent resistance of each stator winding.
- i_a , i_b , and i_c are the currents flowing from port **~ABC** to port **n1**.
- i_x , i_y , and i_z are the currents flowing from port **~XYZ** to port **n2**.
- $\frac{d\psi_a}{dt}$, $\frac{d\psi_b}{dt}$, $\frac{d\psi_c}{dt}$, $\frac{d\psi_x}{dt}$, $\frac{d\psi_y}{dt}$, and $\frac{d\psi_z}{dt}$ are the rates of change of magnetic flux in each stator winding.

The permanent magnet and the six windings contribute to the total flux linking each winding. The total flux is defined by:

$$\begin{bmatrix} \psi_a \\ \psi_b \\ \psi_c \\ \psi_x \\ \psi_y \\ \psi_z \end{bmatrix} = \begin{bmatrix} L_{aa} & L_{ab} & L_{ac} & L_{ax} & L_{ay} & L_{az} \\ L_{ba} & L_{bb} & L_{bc} & L_{bx} & L_{by} & L_{bz} \\ L_{ca} & L_{cb} & L_{cc} & L_{cx} & L_{cy} & L_{cz} \\ L_{xa} & L_{xb} & L_{xc} & L_{xx} & L_{xy} & L_{xz} \\ L_{ya} & L_{yb} & L_{yc} & L_{yx} & L_{yy} & L_{yz} \\ L_{za} & L_{zb} & L_{zc} & L_{zx} & L_{zy} & L_{zz} \end{bmatrix} \begin{bmatrix} i_a \\ i_b \\ i_c \\ i_x \\ i_y \\ i_z \end{bmatrix} + \begin{bmatrix} \psi_{am} \\ \psi_{bm} \\ \psi_{cm} \\ \psi_{xm} \\ \psi_{ym} \\ \psi_{zm} \end{bmatrix},$$

where:

- ψ_a , ψ_b , ψ_c , ψ_x , ψ_y , and ψ_z are the total fluxes that link each stator winding.
- L_{aa} , L_{bb} , L_{cc} , L_{xx} , L_{yy} , and L_{zz} are the self-inductances of the stator windings.
- L_{ab} , L_{ac} , L_{ba} , and so on, are the mutual inductances of the stator windings.
- ψ_{am} , ψ_{bm} , ψ_{cm} , ψ_{xm} , ψ_{ym} , and ψ_{zm} are the permanent magnet fluxes linking the stator windings.

The inductances in the stator windings are functions of rotor electrical angle, defined by:

$$\theta_e = N\theta_r + \text{rotor offset}$$

$$\begin{aligned}
 L_{aa} &= L_s + L_m \cos(2\theta_e) \\
 L_{bb} &= L_s + L_m \cos\left(2\left(\theta_e - 2\frac{\pi}{3}\right)\right) \\
 L_{cc} &= L_s + L_m \cos\left(2\left(\theta_e + 2\frac{\pi}{3}\right)\right) \\
 L_{xx} &= L_s + L_m \cos\left(2\left(\theta_e - \frac{\pi}{6}\right)\right) \\
 L_{yy} &= L_s + L_m \cos\left(2\left(\theta_e - 5\frac{\pi}{6}\right)\right) \\
 L_{zz} &= L_s + L_m \cos\left(2\left(\theta_e + \frac{\pi}{2}\right)\right) \\
 L_{ab} = L_{ba} &= -M_s - L_m \left(2\cos\left(\theta_e + \frac{\pi}{6}\right)\right) \\
 L_{bc} = L_{cb} &= -M_s - L_m \cos\left(2\left(\theta_e + \frac{\pi}{6} - 2\frac{\pi}{3}\right)\right) \\
 L_{ca} = L_{ac} &= -M_s - L_m \cos\left(\theta_e + \frac{\pi}{6} + 2\frac{\pi}{3}\right) \\
 L_{xy} = L_{yx} &= -M_s - L_m \cos(2\theta_e) \\
 L_{yz} = L_{zy} &= -M_s - L_m \cos\left(2\left(\theta_e - 2\frac{\pi}{3}\right)\right) \\
 L_{zx} = L_{xz} &= -M_s - L_m \cos\left(2\left(\theta_e + 2\frac{\pi}{3}\right)\right) \\
 L_{ax} = L_{xa} &= \sqrt{3}M_s + L_m \cos\left(2\left(\theta_e - \frac{\pi}{12}\right)\right) \\
 L_{ay} = L_{ya} &= -\sqrt{3}M_s + L_m \cos\left(2\left(\theta_e - 5\frac{\pi}{12}\right)\right) \\
 L_{az} = L_{za} &= L_m \cos\left(2\left(\theta_e + \frac{\pi}{4}\right)\right) \\
 L_{bx} = L_{xb} &= L_m \cos\left(2\left(\theta_e - 5\frac{\pi}{12}\right)\right) \\
 L_{by} = L_{yb} &= \sqrt{3}M_s + L_m \cos\left(2\left(\theta_e + \frac{\pi}{4}\right)\right) \\
 L_{bz} = L_{zb} &= -\sqrt{3}M_s + L_m \cos\left(2\left(\theta_e - \frac{\pi}{12}\right)\right) \\
 L_{cx} = L_{xc} &= -\sqrt{3}M_s + L_m \cos\left(2\left(\theta_e + \frac{\pi}{4}\right)\right) \\
 L_{cy} = L_{yc} &= L_m \cos\left(2\left(\theta_e - \frac{\pi}{12}\right)\right) \\
 L_{cz} = L_{zc} &= \sqrt{3}M_s + L_m \cos\left(2\left(\theta_e - 5\frac{\pi}{12}\right)\right)
 \end{aligned}$$

where:

- θ_r is the rotor mechanical angle.
- θ_e is the rotor electrical angle.
- *rotor offset* is θ if you define the rotor electrical angle with respect to the d -axis, or $-\pi/2$ if you define the rotor electrical angle with respect to the q -axis.

- L_s is the stator per-phase self-inductance. This value is the average self-inductance of each of the stator windings.
- L_m is the stator inductance fluctuation. This value is the fluctuation in self-inductance and mutual inductance with changing rotor angle.
- M_s is the stator mutual inductance. This value is the average mutual inductance between the stator windings.

The permanent magnet flux linking winding $a-a'$ is at maximum when $\theta_e = 0^\circ$ and zero when $\theta_e = 90^\circ$. Therefore, the linked motor flux is defined by:

$$\begin{bmatrix} \psi_{am} \\ \psi_{bm} \\ \psi_{cm} \\ \psi_{xm} \\ \psi_{ym} \\ \psi_{zm} \end{bmatrix} = \begin{bmatrix} \psi_m \cos \theta_e \\ \psi_m \cos(\theta_e - 2\pi/3) \\ \psi_m \cos(\theta_e + 2\pi/3) \\ \psi_m \cos(\theta_e - \pi/6) \\ \psi_m \cos(\theta_e - 5\pi/6) \\ \psi_m \cos(\theta_e + \pi/2) \end{bmatrix},$$

where ψ_m is the permanent magnet flux linkage.

Simplified Electrical Equations

Applying a decoupled transformation to the block electrical equations produces an expression for torque that is independent of the rotor angle.

The decoupled transformation is defined by:

$$P(\theta_e) = \frac{1}{3} \begin{bmatrix} \cos \theta_e & \cos(\theta_e - 2\frac{\pi}{3}) & \cos(\theta_e + 2\frac{\pi}{3}) & \cos(\theta_e - \frac{\pi}{6}) & \cos(\theta_e - 5\frac{\pi}{6}) & \cos(\theta_e + \frac{\pi}{2}) \\ -\sin \theta_e & -\sin(\theta_e - 2\frac{\pi}{3}) & -\sin(\theta_e + 2\frac{\pi}{3}) & -\sin(\theta_e - \frac{\pi}{6}) & -\sin(\theta_e - 5\frac{\pi}{6}) & -\sin(\theta_e + \frac{\pi}{2}) \\ 1 & -\frac{1}{2} & -\frac{1}{2} & -\frac{\sqrt{3}}{2} & \frac{\sqrt{3}}{2} & 0 \\ 0 & -\frac{\sqrt{3}}{2} & \frac{\sqrt{3}}{2} & \frac{1}{2} & \frac{1}{2} & -1 \\ 1 & 1 & 1 & 0 & 0 & 0 \\ 0 & 0 & 0 & 1 & 1 & 1 \end{bmatrix}.$$

The transformation matrix, P , has this pseudo-orthogonal property:

$$P^{-1}(\theta_e) = 3P^T(\theta_e).$$

Using the decoupled transformation on the stator winding voltages and currents transforms them to the $dq0$ frame, which is independent of the rotor angle.

To obtain the d -axis, q -axis, and zero-sequence stator voltages and flux linkages for the ABC and XYZ groups, apply the transformation to the voltage and flux linkage equations:

$$\begin{bmatrix} v_d \\ v_q \\ v_{z1} \\ v_{z2} \\ v_{01} \\ v_{02} \end{bmatrix} = \begin{bmatrix} R_s & 0 & 0 & 0 & 0 & 0 \\ 0 & R_s & 0 & 0 & 0 & 0 \\ 0 & 0 & R_s & 0 & 0 & 0 \\ 0 & 0 & 0 & R_s & 0 & 0 \\ 0 & 0 & 0 & 0 & R_s & 0 \\ 0 & 0 & 0 & 0 & 0 & R_s \end{bmatrix} \begin{bmatrix} i_d \\ i_q \\ i_{z1} \\ i_{z2} \\ i_{01} \\ i_{02} \end{bmatrix} + \begin{bmatrix} -\psi_q \\ \psi_d \\ 0 \\ 0 \\ 0 \\ 0 \end{bmatrix} N\omega + \frac{d}{dt} \begin{bmatrix} \psi_d \\ \psi_q \\ \psi_{z1} \\ \psi_{z2} \\ \psi_{01} \\ \psi_{02} \end{bmatrix}$$

$$\begin{bmatrix} \psi_d \\ \psi_q \\ \psi_{z1} \\ \psi_{z2} \\ \psi_{01} \\ \psi_{02} \end{bmatrix} = \begin{bmatrix} L_d & 0 & 0 & 0 & 0 & 0 \\ 0 & L_q & 0 & 0 & 0 & 0 \\ 0 & 0 & L_0 & 0 & 0 & 0 \\ 0 & 0 & 0 & L_0 & 0 & 0 \\ 0 & 0 & 0 & 0 & L_0 & 0 \\ 0 & 0 & 0 & 0 & 0 & L_0 \end{bmatrix} \begin{bmatrix} i_d \\ i_q \\ i_{z1} \\ i_{z2} \\ i_{01} \\ i_{02} \end{bmatrix} + \begin{bmatrix} \psi_m \\ 0 \\ 0 \\ 0 \\ 0 \\ 0 \end{bmatrix}$$

where:

- $v_d, v_q, v_{z1}, v_{z2}, v_{01},$ and v_{02} are the $d, q, z1,$ and $z2$ components and zero-sequence stator voltages for the ABC and XYZ groups, defined by:

$$\begin{bmatrix} v_d \\ v_q \\ v_{z1} \\ v_{z2} \\ v_{01} \\ v_{02} \end{bmatrix} = P \begin{bmatrix} v_a \\ v_b \\ v_c \\ v_x \\ v_y \\ v_z \end{bmatrix}.$$

- $i_d, i_q, i_{z1}, i_{z2}, i_{01},$ and i_{02} are the d -axis, q -axis, and zero-sequence stator currents for the ABC and XYZ groups, defined by:

$$\begin{bmatrix} i_d \\ i_q \\ i_{z1} \\ i_{z2} \\ i_{01} \\ i_{02} \end{bmatrix} = P \begin{bmatrix} i_a \\ i_b \\ i_c \\ i_x \\ i_y \\ i_z \end{bmatrix}.$$

- $L_d = L_s + 4M_s + 3L_m$ is the stator d -axis inductance.
- $L_q = L_s + 4M_s - 3L_m$ is the stator q -axis inductance.
- $L_0 = L_s - 2M_s$ is the stator zero-sequence inductance.
- ω is the rotor mechanical rotational speed.
- N is the number of rotor permanent magnet pole pairs.

The torque equation is defined by:

$$T = 3N[i_{qs}(i_d L_d + \psi_m) - i_{dq} L_q].$$

Variables

Use the **Variables** settings to specify the priority and initial target values for the block variables before simulation. For more information, see “Set Priority and Initial Target for Block Variables”.

Ports

Conserving

~ABC — Stator ABC windings

electrical

Three-phase electrical port associated with the stator ABC windings.

n1 — ABC winding neutral point

electrical

Electrical conserving port associated with the neutral point of the ABC winding configuration.

~XYZ — Stator XYZ windings

electrical

Three-phase electrical port associated with the stator XYZ windings.

n2 — XYZ winding neutral point

electrical

Electrical conserving port associated with the neutral point of the XYZ winding configuration.

R — Motor rotor

mechanical rotational

Mechanical rotational conserving port associated with the motor rotor.

C — Motor case

mechanical rotational

Mechanical rotational conserving port associated with the motor case.

Parameters

Main

Number of pole pairs — Number of pole pairs

6 (default) | scalar

Number of permanent magnet pole pairs on the rotor.

Permanent magnet flux linkage parameterization — Permanent magnet flux linkage parameterization

Specify flux linkage (default) | Specify torque constant | Specify back EMF constant

Permanent magnet flux linkage, specified as Specify flux linkage, Specify torque constant, or Specify back EMF constant.

Permanent magnet flux linkage — Permanent magnet flux linkage

0.03 Wb (default) | scalar

Peak permanent magnet flux linkage with any of the stator windings.

Dependencies

To enable this parameter, set **Permanent magnet flux linkage parameterization** to Specify flux linkage.

Torque constant — Torque constant

0.18 N*m/A (default) | scalar

Torque constant with any of the stator windings.

Dependencies

To enable this parameter, set **Permanent magnet flux linkage parameterization** to Specify torque constant.

Back EMF constant — Back EMF constant

0.18 V/(rad/s) (default) | scalar

Back EMF constant with any of the stator windings.

Dependencies

To enable this parameter, set **Permanent magnet flux linkage parameterization** to Specify back EMF constant.

Stator parameterization — Stator parameterization

Specify Ld, Lq, and L0 (default) | Specify Ls, Lm, and Ms

Stator parameterization, specified as Specify Ld, Lq, and L0 or Specify Ls, Lm, and Ms.

Stator d-axis inductance, Ld — Stator d-axis inductance

0.00019 H (default) | scalar

d-axis inductance.

Dependencies

To enable this parameter, set **Stator parameterization** to Specify Ld, Lq, and L0.

Stator q-axis inductance, Lq — Stator q-axis inductance

0.00025 H (default) | scalar

q-axis inductance.

Dependencies

To enable this parameter, set **Stator parameterization** to Specify Ld, Lq, and L0.

Stator zero-sequence inductance, L0 — Stator zero-sequence inductance

0.00016 H (default) | scalar

Zero-sequence inductance.

Dependencies

To enable this parameter, set **Stator parameterization** to Specify Ld, Lq, and L0.

Stator self-inductance per phase, Ls — Stator self-inductance per phase

0.0002 H (default) | scalar

Average self-inductance of each of the five stator windings.

Dependencies

To enable this parameter, set **Stator parameterization** to Specify Ls, Lm, and Ms.

Stator inductance fluctuation, Lm — Stator inductance fluctuation

-0.00002 H (default) | scalar

Fluctuation in self-inductance and mutual inductance of the stator windings with rotor angle.

Dependencies

To enable this parameter, set **Stator parameterization** to Specify Ls, Lm, and Ms.

Stator mutual inductance, Ms — Stator mutual inductance

0.00002 H (default) | scalar

Average mutual inductance between the stator windings.

Dependencies

To enable this parameter, set **Stator parameterization** to Specify Ls, Lm, and Ms.

Stator resistance per phase, Rs — Stator resistance per phase

0.013 Ohm (default) | scalar

Resistance of each of the stator windings.

Zero sequence — Zero sequence option

Include (default) | Exclude

Whether to include or exclude zero-sequence terms.

- **Include** — Include zero-sequence terms. To prioritize model fidelity, use this default setting. Using this option results in an error for simulations that use the Partitioning solver. For more information, see “Increase Simulation Speed Using the Partitioning Solver”.
- **Exclude** — Exclude zero-sequence terms. To prioritize simulation speed for desktop simulation or real-time deployment, select this option.

Rotor angle definition — Reference point for the rotor angle measurement

Angle between the a-phase magnetic axis and the d-axis (default) | Angle between the a-phase magnetic axis and the q-axis

Reference point for the rotor angle measurement. The default value is **Angle between the a-phase magnetic axis and the d-axis**. This definition is shown in the “Motor Construction” on page 1-1062 figure. When you select this value, the rotor and a-phase fluxes are aligned when the rotor angle is zero.

The other value you can choose is Angle between the a-phase magnetic axis and the q-axis. When you select this value, the a-phase current generates maximum torque when the rotor angle is zero.

Mechanical

Rotor inertia – Rotor inertia

0.01 kg*m² (default) | scalar

Inertia of the rotor attached to the mechanical translational port **R**. The value can be zero.

Rotor damping – Rotor damping

0 N*m/(rad/s) (default) | scalar

Rotary damping.

References

- [1] Krause, Paul, Oleg Wasynczuk, Scott Sudhoff, and Steven Pekarek, eds. *Analysis of electric machinery and drive systems*. Hoboken, NJ, USA: John Wiley & Sons, Inc., 2013. <https://doi.org/10.1002/9781118524336>.
- [2] Su, Jian Yong, Jin Bo Yang, and Gui Jie Yang. *Research on Vector Control and PWM Technique of Six-Phase PMSM*. *Advanced Materials Research* 516-517 (May 2012): 1626-31. <https://doi.org/10.4028/www.scientific.net/AMR.516-517.1626>.

Extended Capabilities

C/C++ Code Generation

Generate C and C++ code using Simulink® Coder™.

See Also

PMSM | Synchronous Machine (Six-Phase)

Introduced in R2020b

PMSM Torque Estimator

Estimate permanent magnet synchronous machine torque

Library: Simscape / Electrical / Control / PMSM Control



Description

The PMSM Torque Estimator block implements a torque estimator for permanent magnet synchronous machines (PMSM).

Use this block to estimate the mechanical torque of a motor when it is not directly measurable. The block estimates torque using known machine parameters and the measured phase current vector in the $dq0$ reference frame.

Use the Park Transform block to convert the measured phase current vector in the abc reference frame to the $dq0$ reference frame.

Equations

The block estimates the mechanical torque T_e of the PMSM using the torque equation in the d - q rotor reference frame:

$$T_e = \frac{3p}{2}(\psi_m i_q + (L_d - L_q)i_d i_q),$$

where

- p is the number of pole pairs of the PMSM.
- ψ_m is the flux linkage of the permanent magnet.
- L_d and L_q are the d - and q -axis inductances of the PMSM.
- i_d and i_q are the d - and q -axis currents of the PMSM.

In practice, the machine parameters are not constants and depend on some physical phenomena. You can choose to define these parameters simply as constants or, more realistically, as functions of currents by using lookup tables.

Assumptions

The machine parameters are known.

Ports

Input

idq — Stator currents

vector

Stator direct and quadrature currents of the PMSM, in A.

Data Types: `single` | `double`

Output

TqEst — Torque estimate

scalar

Estimated mechanical torque value of the PMSM, in N*m.

Data Types: `single` | `double`

Parameters

Machine parameters — Parameter selection strategy

Constant parameters (default) | Lookup table based parameters

Specify the type of machine parameters, which can be in the form of constant values or tabulated data.

Number of pole pairs — Pole pairs

8 (default) | positive integer

Number of permanent magnet pole pairs on the rotor.

D-axis current vector, i_d (A) — D-axis current breakpoint vector

$[-200, 0, 200]$ A (default) | monotonically increasing vector

Direct-axis current vector used in the lookup tables for parameters determination.

Q-axis current vector, i_q (A) — Q-axis current breakpoint vector

$[-200, 0, 200]$ A (default) | monotonically increasing vector

Quadrature-axis current vector used in the lookup tables for parameters determination.

Ld matrix, $L_d(i_d, i_q)$ (H) — D-axis inductance lookup data

$0.0002 * \text{ones}(3, 3)$ H (default) | positive matrix

L_d matrix used as lookup table data.

Lq matrix, $L_q(i_d, i_q)$ (H) — Q-axis inductance lookup data

$0.0002 * \text{ones}(3, 3)$ H (default) | positive matrix

L_q matrix used as lookup table data.

Permanent magnet flux linkage matrix, $PM(i_d, i_q)$ (Wb) — Flux linkage lookup data

$0.04 * \text{ones}(3, 3)$ Wb (default) | real matrix

Permanent magnet flux linkage matrix used in the lookup table.

D-axis inductance (H) — Inductance of d-axis

0.0002 (default) | positive scalar

Direct-axis inductance.

Q-axis inductance (H) — Inductance of q-axis

0.0002 (default) | positive scalar

Quadrature-axis inductance.

Permanent magnet flux linkage (Wb) — PM Flux Linkage

0.04Wb (default) | positive scalar

Peak permanent magnet flux linkage.

Sample time (-1 for inherited) — Block sample time

-1 (default) | -1 or positive number

Sample time for the block (-1 for inherited). If you use this block inside a triggered subsystem, set the sample time to -1. If you use this block in a continuous variable-step model, set the sample time explicitly.

Extended Capabilities**C/C++ Code Generation**

Generate C and C++ code using Simulink® Coder™.

See Also**Blocks**

PMSM Current Controller | PMSM Current Controller with Pre-Control | PMSM Current Reference Generator

Introduced in R2017b

PNP Bipolar Transistor

PNP bipolar transistor using enhanced Ebers-Moll equations

Library: Simscape / Electrical / Semiconductors & Converters



Description

The PNP Bipolar Transistor block uses a variant of the Ebers-Moll equations to represent an PNP bipolar transistor. The Ebers-Moll equations are based on two exponential diodes plus two current-controlled current sources. The PNP Bipolar Transistor block provides the following enhancements to that model:

- Early voltage effect
- Optional base, collector, and emitter resistances.
- Optional fixed base-emitter and base-collector capacitances.

The collector and base currents are [1]:

$$I_C = -IS \left[\left(e^{-qV_{BE}/(kT_{m1})} - e^{-qV_{BC}/(kT_{m1})} \right) \left(1 + \frac{V_{BC}}{V_A} \right) - \frac{1}{\beta_R} \left(e^{-qV_{BC}/(kT_{m1})} - 1 \right) \right]$$

$$I_B = -IS \left[\frac{1}{\beta_F} \left(e^{-qV_{BE}/(kT_{m1})} - 1 \right) + \frac{1}{\beta_R} \left(e^{-qV_{BC}/(kT_{m1})} - 1 \right) \right]$$

Where:

- I_B and I_C are base and collector currents, defined as positive into the device.
- IS is the saturation current.
- V_{BE} is the base-emitter voltage and V_{BC} is the base-collector voltage.
- β_F is the ideal maximum current gain BF
- β_R is the ideal maximum current gain BR
- V_A is the forward Early voltage VAF
- q is the elementary charge on an electron (1.602176e-19 Coulombs).
- k is the Boltzmann constant (1.3806503e-23 J/K).
- T_{m1} is the transistor temperature, as defined by the **Measurement temperature** parameter value.

You can specify the transistor behavior using datasheet parameters that the block uses to calculate the parameters for these equations, or you can specify the equation parameters directly.

If $-qV_{BC} / (kT_{m1}) > 40$ or $-qV_{BE} / (kT_{m1}) > 40$, the corresponding exponential terms in the equations are replaced with $(-qV_{BC} / (kT_{m1}) - 39)e^{40}$ and $(-qV_{BE} / (kT_{m1}) - 39)e^{40}$, respectively. This helps prevent numerical issues associated with the steep gradient of the exponential function e^x at large values of x .

Similarly, if $-qV_{BC} / (kT_{m1}) < -39$ or $-qV_{BE} / (kT_{m1}) < -39$ then the corresponding exponential terms in the equations are replaced with $(-qV_{BC} / (kT_{m1}) + 40)e^{-39}$ and $(-qV_{BE} / (kT_{m1}) + 40)e^{-39}$, respectively.

Optionally, you can specify fixed capacitances across the base-emitter and base-collector junctions. You also have the option to specify base, collector, and emitter connection resistances.

Modeling Temperature Dependence

The default behavior is that dependence on temperature is not modeled, and the device is simulated at the temperature for which you provide block parameters. You can optionally include modeling the dependence of the transistor static behavior on temperature during simulation. Temperature dependence of the junction capacitances is not modeled, this being a much smaller effect.

When including temperature dependence, the transistor defining equations remain the same. The measurement temperature value, T_{m1} , is replaced with the simulation temperature, T_s . The saturation current, IS , and the forward and reverse gains (β_F and β_R) become a function of temperature according to the following equations:

$$IS_{T_s} = IS_{T_{m1}} \cdot (T_s/T_{m1})^{XTI} \cdot \exp\left(-\frac{EG}{kT_s}(1 - T_s/T_{m1})\right)$$

$$\beta_{F_s} = \beta_{F_{m1}} \left(\frac{T_s}{T_{m1}}\right)^{XTB}$$

$$\beta_{R_s} = \beta_{R_{m1}} \left(\frac{T_s}{T_{m1}}\right)^{XTB}$$

where:

- T_{m1} is the temperature at which the transistor parameters are specified, as defined by the **Measurement temperature** parameter value.
- T_s is the simulation temperature.
- $IS_{T_{m1}}$ is the saturation current at the measurement temperature.
- IS_{T_s} is the saturation current at the simulation temperature. This is the saturation current value used in the bipolar transistor equations when temperature dependence is modeled.
- $\beta_{F_{m1}}$ and $\beta_{R_{m1}}$ are the forward and reverse gains at the measurement temperature.
- β_{F_s} and β_{R_s} are the forward and reverse gains at the simulation temperature. These are the values used in the bipolar transistor equations when temperature dependence is modeled.
- EG is the energy gap for the semiconductor type measured in Joules. The value for silicon is usually taken to be 1.11 eV, where 1 eV is 1.602e-19 Joules.
- XTI is the saturation current temperature exponent.
- XTB is the forward and reverse gain temperature coefficient.
- k is the Boltzmann constant (1.3806503e-23 J/K).

Appropriate values for XTI and EG depend on the type of transistor and the semiconductor material used. In practice, the values of XTI , EG , and XTB need tuning to model the exact behavior of a particular transistor. Some manufacturers quote these tuned values in a SPICE Netlist, and you can read off the appropriate values. Otherwise you can determine values for XTI , EG , and XTB by using a datasheet-defined data at a higher temperature T_{m2} . The block provides a datasheet parameterization option for this.

You can also tune the values of XTI , EG , and XTB yourself, to match lab data for your particular device. You can use Simulink Design Optimization software to help tune the values.

Thermal Port

The block has an optional thermal port, hidden by default. To expose the thermal port, right-click the block in your model, and then from the context menu select **Simscape > Block choices > Show thermal port**. This action displays the thermal port **H** on the block icon, and exposes the **Thermal Port** parameters.

Use the thermal port to simulate the effects of generated heat and device temperature. For more information on using thermal ports and on the **Thermal Port** parameters, see “Simulating Thermal Effects in Semiconductors”.

Assumptions and Limitations

- The block does not account for temperature-dependent effects on the junction capacitances.
- You may need to use nonzero ohmic resistance and junction capacitance values to prevent numerical simulation issues, but the simulation may run faster with these values set to zero.

Ports

Conserving

B — Base terminal

electrical

Electrical conserving port associated with the transistor base terminal

C — Collector terminal

electrical

Electrical conserving port associated with the transistor collector terminal

E — Emitter terminal

electrical

Electrical conserving port associated with the transistor emitter terminal

Parameters

Main

Parameterization — Block parameterization

Specify from a datasheet (default) | Specify using equation parameters directly

Select one of the following methods for block parameterization:

- **Specify from a datasheet** — Provide parameters that the block converts to equations that describe the transistor. The block calculates the forward Early voltage VAF as Ic/h_{oe} , where Ic is the **Collector current at which h-parameters are defined** parameter value, and h_{oe} is the **Output admittance h_{oe}** parameter value [2]. The block sets BF to the small-signal **Forward current transfer ratio h_{fe}** value. The block calculates the saturation current IS from the

specified **Voltage Vbe** value and the corresponding **Current Ib for voltage Vbe** value when I_c is zero. This is the default method.

- Specify using equation parameters directly — Provide equation parameters I_S , BF , and VAF .

Forward current transfer ratio h_{fe} — Forward current transfer ratio

100 (default)

Small-signal current gain.

Dependencies

This parameter is visible only when you select Specify from a datasheet for the **Parameterization** parameter.

Output admittance h_{oe} — Output admittance

50e-6 1/Ohm (default)

Derivative of the collector current with respect to the collector-emitter voltage for a fixed base current.

Dependencies

This parameter is visible only when you select Specify from a datasheet for the **Parameterization** parameter.

Collector current at which h-parameters are defined — Collector current at which h-parameters are defined

-1 mA (default)

The h-parameters vary with operating point, and are defined for this value of the collector current.

Dependencies

This parameter is visible only when you select Specify from a datasheet for the **Parameterization** parameter.

Collector-emitter voltage at which h-parameters are defined — Collector-emitter voltage at which h-parameters are defined

-5 V (default)

The h-parameters vary with operating point, and are defined for this value of the collector-emitter voltage.

Dependencies

This parameter is visible only when you select Specify from a datasheet for the **Parameterization** parameter.

Voltage Vbe — Voltage Vbe

-0.55 V (default)

Base-emitter voltage when the base current is I_b . The [$V_{be} I_b$] data pair must be quoted for when the transistor is in the normal active region, that is, not in the saturated region.

Dependencies

This parameter is visible only when you select Specify from a datasheet for the **Parameterization** parameter.

Current I_b for voltage V_{be} — Current I_b for voltage V_{be}

-0.5 mA (default)

Base current when the base-emitter voltage is V_{be} . The [V_{be} I_b] data pair must be quoted for when the transistor is in the normal active region, that is, not in the saturated region.

Dependencies

This parameter is visible only when you select Specify from a datasheet for the **Parameterization** parameter.

Forward current transfer ratio BF — Forward current transfer ratio

100 (default)

Ideal maximum forward current gain.

Dependencies

This parameter is visible only when you select Specify using equation parameters directly for the **Parameterization** parameter.

Saturation current I_S — Saturation current

1e-14 A (default)

Transistor saturation current.

Dependencies

This parameter is visible only when you select Specify using equation parameters directly for the **Parameterization** parameter.

Forward Early voltage V_{AF} — Forward Early voltage

200 V (default)

In the standard Ebers-Moll equations, the gradient of the I_c versus V_{ce} curve is zero in the normal active region. The additional forward Early voltage term increases this gradient. The intercept on the V_{ce} -axis is equal to $-V_{AF}$ when the linear region is extrapolated.

Dependencies

This parameter is visible only when you select Specify using equation parameters directly for the **Parameterization** parameter.

Reverse current transfer ratio BR — Reverse current transfer ratio

1 (default)

Ideal maximum reverse current gain. This value is often not quoted in manufacturer datasheets because it is not significant when the transistor is biased to operate in the normal active region. When the value is not known and the transistor is not to be operated on the inverse region, use the default value of 1.

Measurement temperature – Measurement temperature

25 degC (default)

Temperature T_{m1} at which V_{be} and I_b , or I_S , are measured.

Ohmic Resistance**Collector resistance R_C – Collector resistance**

0.01 ohm (default)

Resistance at the collector.

Emitter resistance R_E – Emitter resistance

1e-4 Ohm (default)

Resistance at the emitter.

Zero bias base resistance R_B – Zero bias base resistance

1 Ohm (default)

Resistance at the base at zero bias.

Capacitance**Base-collector junction capacitance – Base-collector junction capacitance**

5 pF (default)

Parasitic capacitance across the base-collector junction.

Base-emitter junction capacitance – Base-emitter junction capacitance

5 pF (default)

Parasitic capacitance across the base-emitter junction.

Total forward transit time – Total forward transit time

0 us (default)

Represents the mean time for the minority carriers to cross the base region from the emitter to the collector, and is often denoted by the parameter TF [1].

Total reverse transit time – Total reverse transit time

0 us (default)

Represents the mean time for the minority carriers to cross the base region from the collector to the emitter, and is often denoted by the parameter TR [1].

Temperature Dependence**Parameterization – Temperature dependence parameterization**

None – Simulate at parameter measurement temperature (default) | Model temperature dependence

Select one of the following methods for temperature dependence parameterization:

- None – Simulate at parameter measurement temperature — Temperature dependence is not modeled, or the model is simulated at the measurement temperature T_{m1} (as specified by the **Measurement temperature** parameter on the **Main** tab). This is the default method.
- Model temperature dependence — Provide a value for simulation temperature, to model temperature-dependent effects. You also have to provide a set of additional parameters depending on the block parameterization method. If you parameterize the block from a datasheet, you have to provide values for a second [V_{be} I_b] data pair and h_{fe} at second measurement temperature. If you parameterize by directly specifying equation parameters, you have to provide the values for X_{TI} , EG , and X_{TB} .

Forward current transfer ratio, h_{fe} , at second measurement temperature — Forward current transfer ratio, h_{fe} , at second measurement temperature

125 (default)

Small-signal current gain at second measurement temperature. It must be quoted at the same collector-emitter voltage and collector current as for the **Forward current transfer ratio h_{fe}** parameter on the **Main** tab.

Dependencies

This parameter is visible only when you select **Specify** from a datasheet for the **Parameterization** parameter on the **Main** tab.

Voltage V_{be} at second measurement temperature — Voltage V_{be} at second measurement temperature

-0.45 V (default)

Base-emitter voltage when the base current is I_b and the temperature is set to the second measurement temperature. The [V_{be} I_b] data pair must be quoted for when the transistor is in the normal active region, that is, not in the saturated region.

Dependencies

This parameter is visible only when you select **Specify** from a datasheet for the **Parameterization** parameter on the **Main** tab.

Current I_b for voltage V_{be} at second measurement temperature — Current I_b for voltage V_{be} at second measurement temperature

-0.5 mA (default)

Base current when the base-emitter voltage is V_{be} and the temperature is set to the second measurement temperature. The [V_{be} I_b] data pair must be quoted for when the transistor is in the normal active region, that is, not in the saturated region.

Dependencies

This parameter is visible only when you select **Specify** from a datasheet for the **Parameterization** parameter on the **Main** tab.

Second measurement temperature — Second measurement temperature

125 degC (default)

Second temperature T_{m2} at which h_{fe} , V_{be} , and I_b are measured.

Dependencies

This parameter is visible only when you select Specify from a datasheet for the **Parameterization** parameter on the **Main** tab.

Current gain temperature coefficient, XTB — Current gain temperature coefficient
0 (default)

Current gain temperature coefficient value.

Dependencies

This parameter is visible only when you select Specify using equation parameters directly for the **Parameterization** parameter on the **Main** tab.

Energy gap, EG — Energy gap
1.11 eV (default)

Energy gap value.

Dependencies

This parameter is visible only when you select Specify using equation parameters directly for the **Parameterization** parameter on the **Main** tab.

Saturation current temperature exponent, XTI — Saturation current temperature exponent
3 (default)

Saturation current temperature coefficient value.

Dependencies

This parameter is visible only when you select Specify using equation parameters directly for the **Parameterization** parameter on the **Main** tab.

Device simulation temperature — Device simulation temperature
25 degC (default)

Temperature T_s at which the device is simulated.

Compatibility Considerations

Thermal network simlog paths
Behavior changed in R2019b

From R2019b forward, it is possible to model the thermal network of this block either internally or externally.

As a result, the simlog paths corresponding to the thermal network have changed. If you have a script that programmatically access the simlog, you have to manually update it to reflect these changes.

References

[1] G. Massobrio and P. Antognetti. *Semiconductor Device Modeling with SPICE*. 2nd Edition, McGraw-Hill, 1993.

[2] H. Ahmed and P.J. Spreadbury. *Analogue and digital electronics for engineers*. 2nd Edition, Cambridge University Press, 1984.

Extended Capabilities

C/C++ Code Generation

Generate C and C++ code using Simulink® Coder™.

See Also

Diode | NPN Bipolar Transistor

Positive Supply Rail

Ideal positive supply rail

Library: Simscape / Electrical / Sources



Description

The Positive Supply Rail block represents an ideal positive supply rail. Use this block instead of the SimscapeDC Voltage Source block to define the output voltage relative to the SimscapeElectrical Reference block that must appear in each model.

Note Do not attach more than one Positive Supply Rail block to *any* connected line.

Ports

Conserving

- — **Positive voltage**

electrical

Electrical conserving port associated to the positive supply rail positive voltage.

Parameters

Constant voltage — Constant output voltage

1 V (default)

The voltage at the output port relative to the Electrical Reference block ground port.

Extended Capabilities

C/C++ Code Generation

Generate C and C++ code using Simulink® Coder™.

See Also

DC Voltage Source | Negative Supply Rail

Introduced in R2008a

Potentiometer

Rotary or linear-travel potentiometer controlled by physical signal

Library: Simscape / Electrical / Passive



Description

The Potentiometer block represents a rotary or linear-travel potentiometer, with the wiper position controlled by the input physical signal.

If the potentiometer resistance changes linearly based on wiper position, then the resistance between the wiper position and port **L** is:

$$R_{WL} = \frac{R_0}{x_{\max} - x_{\min}}(x - x_{\min})$$

where

- R_{WL} is the resistance between the wiper position and port **L**.
- R_0 is the total resistance between ports **L** and **R**.
- x is the wiper position.
- x_{\min} is the value of the wiper position when the wiper is at port **L**.
- x_{\max} is the value of the wiper position when the wiper is at port **R**.

If you specify **Logarithmic** for the potentiometer resistance **Taper** parameter, then the resistance between the wiper position and port **L** is:

$$R_{WL} = \begin{cases} A(e^{\lambda(x - x_{\min})} - 1) & \text{if resistance gradient is higher at R} \\ R_0 - A(e^{\lambda(x_{\max} - x)} - 1) & \text{if resistance gradient is higher at L} \end{cases}$$

where A and λ are chosen such that R_{WL} at x_{\max} is R_0 , and R_{WL} at $x = (x_{\max} + x_{\min}) / 2$ is equal to R_{av} , the resistance when the wiper is centered.

Note Potentiometers widely described as LOG or logarithmic taper are, in fact, exponential taper. That is, the gradient of the resistance between wiper and left-hand port increases as the resistance increases. The Potentiometer block implements this behavior.

For both linear and logarithmic tapers, the resistance between the wiper position and port **R** is:

$$R_{WR} = R_0 - R_{WL}$$

where

- R_{WR} is the resistance between the wiper position and port **R**.
- R_0 is the total resistance between ports **L** and **R**.
- R_{WL} is the resistance between the wiper position and port **L**.

Ports

Input

x – Wiper position control

physical signal

Physical signal input port controlling the wiper position.

Conserving

L – Left pin

electrical

Electrical conserving port associated with the potentiometer left pin.

R – Right pin

electrical

Electrical conserving port associated with the potentiometer right pin.

W – Wiper pin

electrical

Electrical conserving port associated with the potentiometer wiper pin.

Parameters

Total resistance – Total resistance

1000 Ohm (default)

The resistance between port **L** and port **R** when port **W** is open-circuit.

Residual resistance – Residual resistance

1 Ohm (default) | positive scalar

The lower limit placed on the resistance between the wiper and the two end ports. It must be greater than zero. A typical value is $5e-3$ times the total resistance.

Resistance when centered – Resistance when centered

200 Ohm (default)

If you select **Higher** at **R** for the **Resistance gradient** parameter, then **Resistance when centered** is the resistance between port **L** and port **W** when the wiper is centered. Otherwise, if you select **Higher** at **R** for the **Resistance gradient** parameter, then **Resistance when centered** is the resistance between port **R** and port **W** when the wiper is centered. Because the resistance taper is exponential in shape, the value of the **Resistance when centered** parameter must be less than half of the **Total resistance** parameter value.

Dependencies

This parameter is visible only when you select **Logarithmic** for the **Taper** parameter.

PS input for wiper at L — PS input for wiper at L

0 (default)

The value of the input physical signal at port **x** that corresponds to the wiper being located at port **L**. The default value is 0.

PS input for wiper at R — PS input for wiper at R

1 (default)

The value of the input physical signal at port **x** that corresponds to the wiper being located at port **R**. The default value is 1.

Taper — Resistance taper behavior

Linear (default) | Logarithmic

Specifies the potentiometer resistance taper behavior: **Linear** or **Logarithmic**.

Resistance gradient — Resistance gradient

Higher at R (default) | Higher at L

Specifies whether the potentiometer resistance varies more rapidly at the left or the right end: **Higher at L** or **Higher at R**.

Dependencies

This parameter is visible only when you select **Logarithmic** for the **Taper** parameter.

Extended Capabilities**C/C++ Code Generation**

Generate C and C++ code using Simulink® Coder™.

See Also

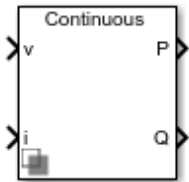
Variable Resistor

Introduced in R2010a

Power Measurement

Calculate single-phase real and reactive power

Library: Simscape / Electrical / Control / Measurements



Description

The Power Measurement block measures the real and reactive power of an element in a single-phase network. The block outputs the power quantities for each frequency component you specify. For three-phase measurements, consider using the Three-Phase Power Measurement block.

Use this block to measure power for both sinusoidal and nonsinusoidal periodic signals.

Set the **Sample time** parameter to 0 for continuous-time operation, or explicitly for discrete-time operation.

Specify a vector of all frequency components to include in the power output using the **Harmonic numbers** parameter:

- To output the DC component, specify 0.
- To output the component corresponding to the fundamental frequency, specify 1.
- To output components corresponding to higher-order harmonics, specify $n > 1$.

Equations

For each specified harmonic k , the block calculates the real power P_k and reactive power Q_k from the phasor equation:

$$P_k + jQ_k = G(V_k e^{j\theta V_k})(I_k e^{j\theta I_k}),$$

where:

- G is equal to 0.25 for the DC component ($k = 0$) and 0.5 for the AC components ($k > 0$).
- $V_k e^{j\theta V_k}$ is the phasor representation of the k -component input voltage.
- $\overline{I_k e^{j\theta I_k}}$ is the complex conjugate of $I_k e^{j\theta I_k}$, the phasor representation of the k -component input current.

The block estimates the real-time k -component voltage and current phasors using these relationships:

$$V_k e^{j\theta V_k} = \frac{2}{T} \int_{-T}^t V(t) \sin(2\pi k F t) dt + j \frac{2}{T} \int_{-T}^t V(t) \cos(2\pi k F t) dt$$

$$I_k e^{j\theta I_k} = \frac{2}{T} \int_{-T}^t I(t) \sin(2\pi k F t) dt + j \frac{2}{T} \int_{-T}^t I(t) \cos(2\pi k F t) dt .$$

In these phasor equations:

- $V(t)$ and $I(t)$ are the input voltage and current, respectively.
- T is the period of the input signal, or equivalently the inverse of its base frequency F .

If the input signals have a finite number of harmonics n , the total real power P and total reactive power Q can be calculated from their components:

$$P = \sum_{k=0}^n P_k$$

$$Q = \sum_{k=1}^n Q_k .$$

The summation for Q does not include the DC component ($k = 0$) because this component only contributes to real power.

Ports

Input

v – Input voltage

scalar

Voltage across element from which to measure power, in V.

Data Types: `single` | `double`

i – Input current

scalar

Current through element from which to measure power, in A.

Data Types: `single` | `double`

Output

P – Real power

scalar or vector

Real power for selected frequency components, in W. If the **Harmonic numbers** parameter value is a scalar, this output is also a scalar.

Data Types: `single` | `double`

Q – Reactive power

scalar or vector

Reactive power for selected frequency components, in var. If the **Harmonic numbers** parameter value is a scalar, this output is also a scalar.

Data Types: `single` | `double`

Parameters

Base frequency (Hz) — Fundamental frequency

60 (default) | positive number

Fundamental frequency corresponding to component $k=1$.

Harmonic numbers — Frequency components

[0 1 2 3] (default) | scalar or vector

Frequency components to include in the output. Specify either a scalar value corresponding to the desired component or a vector of all desired components.

- The value $k = 0$ corresponds to the DC component.
- The value $k = 1$ corresponds to the fundamental frequency.
- Values $k > 1$ correspond to higher-level harmonics.

If you specify a vector, the order of the power outputs correspond to the order of this vector.

Sample time — Block sample time

0 (default) | positive number

Time between consecutive block executions. During execution, the block produces outputs and, if appropriate, updates its internal state. For more information, see “What Is Sample Time?” and “Specify Sample Time”.

For continuous operation, set this property to 0. For discrete operation, specify the sample time explicitly as a positive number. This block does not support inherited sample time.

If this block is in a masked subsystem, or other variant subsystem that allows either continuous and discrete operation, promote the sample time parameter. Promoting the sample time parameter ensures correct switching between the continuous and discrete implementations of the block. For more information, see “Promote Parameter to Mask”.

Extended Capabilities

C/C++ Code Generation

Generate C and C++ code using Simulink® Coder™.

See Also

Blocks

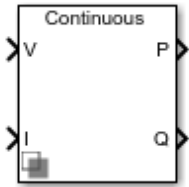
RMS Measurement | Sinusoidal Measurement (PLL) | Three-Phase Sinusoidal Measurement (PLL) | Three-Phase Power Measurement

Introduced in R2017b

Power Measurement (Three-Phase)

Calculate three-phase real and reactive power

Library: Simscape / Electrical / Control / Measurements



Description

The Power Measurement (Three-Phase) block measures the real and reactive power of an element in a three-phase network. The block outputs the power quantities for each frequency component you specify in the selected symmetrical sequence.

Use this block to measure power for both sinusoidal and nonsinusoidal periodic signals. For single-phase power measurement, consider using the Power Measurement block.

Set the **Sample time** parameter to 0 for continuous-time operation, or explicitly for discrete-time operation.

Specify a vector of all frequency components to include in the power output using the **Harmonic numbers** parameter:

- To output the DC component, specify 0.
- To output the component corresponding to the fundamental frequency, specify 1.
- To output components corresponding to higher-order harmonics, specify $n > 1$.

Equations

For each specified harmonic k , the block calculates the real power P_k and reactive power Q_k for the specified sequence from the phasor equation:

$$P_k + jQ_k = \frac{3}{2}(V_k e^{j\theta_{V_k}})(I_k e^{j\theta_{I_k}})^*$$

where:

- $V_k e^{j\theta_{V_k}}$ is the phasor representing the k -component voltage of the selected sequence.
- $(I_k e^{j\theta_{I_k}})^*$ is the complex conjugate of $I_k e^{j\theta_{I_k}}$, the phasor representing the k -component current of the selected sequence.

Select the symmetrical sequence used in the power calculation using the **Sequence** parameter:

- **Positive:**

$$V_k e^{j\theta_{V_k}} = V_{k+} e^{j\theta_{V_{k+}}}, \quad I_k e^{j\theta_{I_k}} = I_{k+} e^{j\theta_{I_{k+}}}$$

- Negative:

$$V_k e^{j\theta_{V_k}} = V_{k-} e^{j\theta_{V_{k-}}}, I_k e^{j\theta_{I_k}} = I_{k-} e^{j\theta_{I_{k-}}}$$

- Zero:

$$V_k e^{j\theta_{V_k}} = V_{k0} e^{j\theta_{V_{k0}}}, I_k e^{j\theta_{I_k}} = I_{k0} e^{j\theta_{I_{k0}}}$$

The block calculates the symmetrical set of $+0$ voltage phasors from the set of abc voltage phasors using the symmetrical components transform S :

$$\begin{bmatrix} V_{k+} e^{j\theta_{V_{k+}}} \\ V_{k-} e^{j\theta_{V_{k-}}} \\ V_{k0} e^{j\theta_{V_{k0}}} \end{bmatrix} = S \begin{bmatrix} V_{ka} e^{j\theta_{V_{ka}}} \\ V_{kb} e^{j\theta_{V_{kb}}} \\ V_{kc} e^{j\theta_{V_{kc}}} \end{bmatrix}.$$

For more information about this transform, see Symmetrical Components Transform.

The block obtains this set of abc voltage phasors from the three-phase input voltage $V(t)$ as:

$$\begin{bmatrix} V_{ka} e^{j\theta_{V_{ka}}} \\ V_{kb} e^{j\theta_{V_{kb}}} \\ V_{kc} e^{j\theta_{V_{kc}}} \end{bmatrix} = \frac{2}{T} \int_{-T}^t V(t) \sin(2\pi k F t) dt + j \frac{2}{T} \int_{-T}^t V(t) \cos(2\pi k F t) dt,$$

where T is the period of the input signal, or equivalently the inverse of its base frequency F .

The block calculates the symmetrical set of current phasors in the same way as it does the voltage.

If the input signals have a finite number of harmonics n , the total real power P and total reactive power Q for the specified sequence can be calculated from their components:

$$P = \sum_{k=0}^n P_k$$

$$Q = \sum_{k=1}^n Q_k.$$

The summation for Q does not include the DC component ($k = 0$), because this component only contributes to real power.

Ports

Input

V — Input voltage

vector

Three-phase voltage across element from which to measure power, in V.

Data Types: `single` | `double`

I — Input current

vector

Three-phase current through element from which to measure power, in A.

Data Types: `single` | `double`

Output

P — Real power

scalar or vector | vector

Real power for selected frequency components, in W. If the **Harmonic numbers** parameter value is a scalar, this output is also a scalar.

Data Types: `single` | `double`

Q — Reactive power

scalar or vector | vector

Reactive power for selected frequency components, in var. If the **Harmonic numbers** parameter value is a scalar, this output is also a scalar.

Data Types: `single` | `double`

Parameters

Base frequency (Hz) — Fundamental frequency

60 (default) | positive number

Fundamental frequency corresponding to component $k=1$.

Harmonic numbers — Frequency components

[0 1 2 3] (default) | scalar or vector

Frequency components to include in the output. Specify either a scalar value corresponding to the desired component or a vector of all desired components.

- The value $k = 0$ corresponds to the DC component.
- The value $k = 1$ corresponds to the fundamental frequency.
- Values $k > 1$ correspond to higher-level harmonics.

If you specify a vector, the order of the power outputs correspond to the order of this vector.

Sequence — Symmetrical sequence

Positive (default) | Negative | Zero

Symmetrical sequence of the power output.

Sample time — Block sample time

0 (default) | positive number

Time between consecutive block executions. During execution, the block produces outputs and, if appropriate, updates its internal state. For more information, see “What Is Sample Time?” and “Specify Sample Time”.

For continuous operation, set this property to 0. For discrete operation, specify the sample time explicitly as a positive number. This block does not support inherited sample time.

If this block is in a masked subsystem, or other variant subsystem that allows either continuous and discrete operation, promote the sample time parameter. Promoting the sample time parameter ensures correct switching between the continuous and discrete implementations of the block. For more information, see “Promote Parameter to Mask”.

Extended Capabilities

C/C++ Code Generation

Generate C and C++ code using Simulink® Coder™.

See Also

Blocks

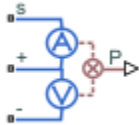
Power Measurement | RMS Measurement | Sinusoidal Measurement (PLL) | Three-Phase Sinusoidal Measurement (PLL)

Introduced in R2017b

Power Sensor

Ideal instantaneous or cycle-average power measurement

Library: Simscape / Electrical / Sensors & Transducers

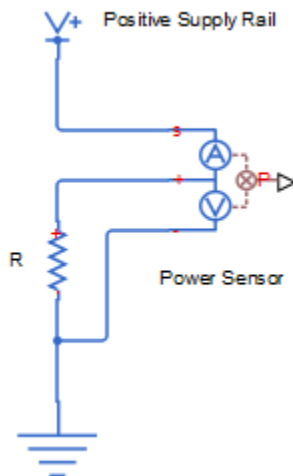


Description

The Power Sensor block calculates the power taken by the load connected across the + and - terminals under the assumption that only the load is connected to the + terminal. Refer to the block icon for the arrangement of internal current and voltage sensors.

The sensor can return either instantaneous power, or power averaged over a fixed time period. Use the latter option for periodic current and voltage waveforms such as those associated with PWM control.

The following figure shows how you connect the block to measure power dissipated in a resistor.



For an alternative workflow using data logging to view component powers, see the “Buck Converter” example.

Ports

Output

P – Measured power

physical signal

Physical signal port that outputs the measured power

Conserving

S — Positive supply rail

electrical

Electrical conserving port connected to the positive supply rail

+ — Load positive terminal

electrical

Electrical conserving port connected to the positive terminal of the load

- — Load negative terminal

electrical

Electrical conserving port connected to the negative terminal of the load

Parameters

Measurement type — Measurement type

Instantaneous power (default) | Instantaneous power

Select whether you want to measure Instantaneous power or Average power over a specified period. The default value is Instantaneous power.

Averaging period — Averaging period

1e-4 s (default)

Fixed period of time for measuring the average power.

Dependencies

This parameter is visible only when you select Average power over a specified period for the **Measurement type** parameter.

Extended Capabilities

C/C++ Code Generation

Generate C and C++ code using Simulink® Coder™.

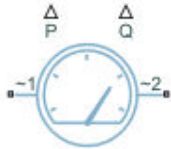
See Also

Introduced in R2012a

Power Sensor (Three-Phase)

Three-phase ideal active and reactive power sensor

Library: Simscape / Electrical / Sensors & Transducers



Description

The Power Sensor (Three-Phase) block implements an ideal sensor for active and reactive power measurement in balanced or unbalanced three-phase branches.

For balanced branches, the block returns the correct value of the active and reactive power at all time instants. This is the preferred option for a load-flow analysis.

For unbalanced branches, to estimate the magnitude and phase, the block measures the phasors of the three voltages and currents independently by using a one-moving-period Fourier transform. For this reason, the output magnitude and phase are zero during the first period.

Unbalanced Branches Equations

The equivalent balanced phase voltage, current, and apparent power are:

$$V_e = \frac{1}{3} \sqrt{V_{ab_{RMS}}^2 + V_{bc_{RMS}}^2 + V_{ca_{RMS}}^2}$$

$$I_e = \sqrt{\frac{I_{a_{RMS}}^2 + I_{b_{RMS}}^2 + I_{c_{RMS}}^2 + \rho I_{n_{RMS}}^2}{3}}$$

$$S_e = 3V_e I_e$$

where

- $V_{ab_{RMS}}$, $V_{bc_{RMS}}$, and $V_{ca_{RMS}}$ are the three phase-to-phase RMS voltages.
- $I_{a_{RMS}}$, $I_{b_{RMS}}$, and $I_{c_{RMS}}$ are the RMS currents that flow through each of the three branches.
- ρ is the ratio of neutral conductor resistance over phase conductor resistance, specified by the Neutral conductor resistance divided by phase conductor resistance on page 1-0 parameter.
- $I_{n_{RMS}}$ is the RMS neutral current.

The active power is then defined by:

$$P = V_{a_{RMS}} I_{a_{RMS}} \cos(\varphi_{V_a} - \varphi_{I_a}) + V_{b_{RMS}} I_{b_{RMS}} \cos(\varphi_{V_b} - \varphi_{I_b}) + V_{c_{RMS}} I_{c_{RMS}} \cos(\varphi_{V_c} - \varphi_{I_c}),$$

where:

- $V_{a_{RMS}}$, $V_{b_{RMS}}$, and $V_{c_{RMS}}$ are the voltages of phase a, b, and c respectively.

- φ_{V_a} , φ_{V_b} , and φ_{V_c} are the phase shifts of the *a*-phase, *b*-phase, and *c*-phase voltages.
- φ_{I_a} , φ_{I_b} , and φ_{I_c} are the phase shifts of the *a*-phase, *b*-phase, and *c*-phase currents.

To compute the reactive power, the block first calculates its absolute value and then finds the sign by looking at the sign of the phase shift:

$$\begin{aligned} \text{abs}(Q) &= \sqrt{S_e^2 - P^2} \\ \text{sign}(Q) &= \text{sign}(\varphi) \\ Q &= \text{abs}(Q) * \text{sign}(Q) \end{aligned}$$

where $\varphi = \varphi_{V_s} - \varphi_{I_s}$. The * symbol denotes the central phase in the $[-\pi, \pi]$ range.

Load-Flow Analysis

If the block is in a network that is compatible with the frequency-time simulation mode, you can perform a load-flow analysis on the network. A load-flow analysis provides steady-state values that you can use to initialize a machine.

For more information, see “Perform a Load-Flow Analysis Using Simscape Electrical” and “Frequency and Time Simulation Mode”.

Ports

Conserving

~1 — Three-phase port

electrical

Expandable three-phase electrical port.

~2 — Three-phase port

electrical

Expandable three-phase electrical port.

Output

P — Active power

physical

Physical signal port associated with the active power measurements.

Q — Reactive power

physical

Physical signal port associated with the reactive power measurements.

Parameters

Load type — Load type

Balanced (default) | Unbalanced

Type of load. Select **Balanced** if the three-phase branches are balanced, **Unbalanced** if the branches are not balanced.

Rated frequency — Rated frequency

60 Hz (default) | scalar

Rated frequency.

Dependencies

To enable this parameter, set **Load Type** to **Unbalanced**.

Downstream configuration — Downstream configuration

Without neutral (default) | With neutral

Whether the downstream configuration is with or without neutral.

Dependencies

To enable this parameter, set **Load Type** to **Unbalanced**.

Neutral conductor resistance divided by phase conductor resistance — Ratio of neutral conductor resistance over phase conductor resistance

1 (default) | scalar

Ratio of neutral conductor resistance over phase conductor resistance, $\frac{R_{neutral}}{R_{phase}}$..

Dependencies

To enable this parameter, set **Downstream configuration** to **With neutral**.

References

[1] Willems, Jacques, "The IEEE standard 1459: What and why?", *2010 IEEE International Conference on Applied Measurements for Power Systems, Proceedings*: 41-46.

Extended Capabilities**C/C++ Code Generation**

Generate C and C++ code using Simulink® Coder™.

See Also

Current and Voltage Sensor (Three-Phase) | Line Voltage Sensor (Three-Phase) | Phase Voltage Sensor (Three-Phase) | Power Sensor

Topics

"Perform a Load-Flow Analysis Using Simscape Electrical"

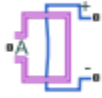
"Frequency and Time Simulation Mode"

Introduced in R2020b

Pressure Transducer

Behavioral model of generic pressure transducer that turns pressure measurement into voltage

Library: Simscape / Electrical / Sensors & Transducers



Description

The Pressure Transducer block models a generic pressure transducer that turns a pressure measurement into a voltage. The block lets you measure pressure in a variety of domains. Specify the domain type using the **Fluid port type** parameter.

The output voltage is linearly proportional to the pressure, and the block outputs zero volts if the pressure is less than zero. An input pressure equal to the **Pressure range** parameter value results in an output voltage equal to the **Full-scale deflection** parameter value. For higher pressures, the output voltage remains at this **Full-scale deflection** value.

You have three choices of operation mode, which let you select between vacuum, atmospheric pressure, or sealed-gauge reference pressure as the reference point for the pressure measurement.

Optionally, if you set the **Dynamics** parameter to `Model transducer bandwidth`, then the dynamics of the sensor are approximated by a first-order lag. The lag is determined by the **Bandwidth** parameter. If you select this option, you must also specify an initial condition for the lag by using the **Measured pressure** variable target.

If running your simulation with a fixed-step solver, or generating code for hardware-in-the-loop testing, MathWorks recommends that you set the **Dynamics** parameter to `No dynamics – Suitable for HIL`, because this avoids the need for a small simulation time step if the sensor bandwidth is high.

Variables

Use the **Variables** section of the block interface to set the priority and initial target values for the block variables prior to simulation. For more information, see “Set Priority and Initial Target for Block Variables”.

The **Measured pressure** variable target specifies the initial output for the sensor.

Ports

Conserving

A – Fluid port

Gas | Hydraulic | Thermal Liquid | Moist Air | Two-Phase Fluid

Conserving fluid port for pressure measurement. The port type is defined by the **Fluid port type** parameter value.

+ – Positive terminal

electrical

Electrical conserving port associated with the positive terminal.

- – Negative terminal

electrical

Electrical conserving port associated with the negative terminal.

Parameters**Fluid port type – Type of fluid port**

Gas (default) | Hydraulic | Thermal Liquid | Moist Air | Two-Phase Fluid

Select the fluid port type for pressure measurement:

- Gas (default)
- Hydraulic
- Thermal Liquid
- Moist Air
- Two-Phase Fluid

Pressure range – Maximum pressure

1e6 Pa (default)

Maximum pressure that the sensor can measure, in Pa.

Operation mode – Reference point for pressure measurement

Absolute (default) | Gauge | Sealed-Gauge

Select one of the following options to define the reference point for the pressure measurement:

- **Absolute** — The pressure measurement is with respect to zero absolute pressure, that is, vacuum. This is the default option.
- **Gauge** — The pressure measurement is with respect to atmospheric pressure. Atmospheric pressure is defined by the Gas Properties block in the Simscape Foundation library.
- **Sealed-Gauge** — The pressure measurement is referenced to an internal sealed chamber. If you select this option, use the **Reference pressure** parameter to specify the reference point for pressure measurement.

Reference pressure – Reference pressure

101325 Pa (default)

Reference pressure in the internal sealed chamber.

Dependencies

This parameter is visible only when you select Sealed-Gauge for the **Operation mode** parameter.

Full-scale deflection – Full-scale deflection

5 V (default)

Output voltage when the measured pressure is equal to, or greater than, the **Pressure range** parameter value.

Output resistance — Transducer output resistance

200 Ohm (default)

Output resistance of the transducer.

Dynamics — Sensor dynamics option

No dynamics – Suitable for HIL (default) | Model transducer bandwidth

Select one of the following options for modeling sensor dynamics:

- **No dynamics – Suitable for HIL** — Do not model sensor dynamics. Use this option when running your simulation fixed step or generating code for hardware-in-the-loop testing, because this avoids the need for a small simulation time step if the sensor bandwidth is high. This is the default option.
- **Model transducer bandwidth** — Model sensor dynamics with a first-order lag approximation, based on the **Bandwidth** parameter value. You can control the initial condition for the lag by specifying the **Measured pressure** variable target.

Bandwidth — Bandwidth

5 kHz (default)

Determines the value of the sensor lag.

Dependencies

This parameter is visible only when you select `Model transducer bandwidth` for the **Dynamics** parameter.

Compatibility Considerations

Fluid Port Type

Behavior changed in R2019a

Prior to R2019a, the Pressure Transducer block had a pneumatic measurement port. Pneumatic blocks are no longer part of the Foundation library, but they are included in the Simscape product installation as an example custom library. The legacy Pressure Transducer block, with a pneumatic port, is now part of this custom library.

From R2019a forward, use the Gas library for modeling pneumatic systems, and use the latest version of the Pressure Transducer block with a gas port.

Extended Capabilities

C/C++ Code Generation

Generate C and C++ code using Simulink® Coder™.

See Also

Introduced in R2012b

Primary Winding

(To be removed) Linear nonideal transformer winding

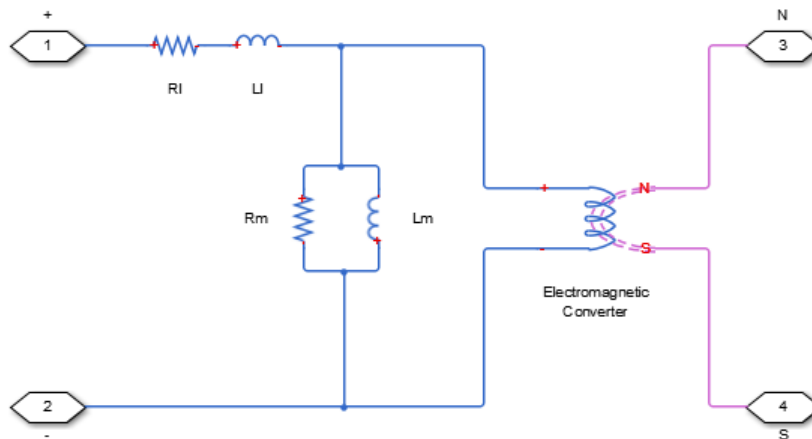
Note The Primary Winding block will be removed in a future release. Use the Winding, Eddy Current, and Fundamental Reluctance blocks instead. To learn how to create a custom transformer without this block, refer to “Push-Pull Buck Converter in Continuous Conduction Mode”.

Library

Simscape / Electrical / Power Systems / Passive Devices / Transformers / Fundamental Components

Description

The Primary Winding block models linear nonideal winding of a transformer with linear winding leakage and linear core magnetization effects. Although magnetization effects occur in the magnetic core, it is common practice to place mathematically equivalent electrical components on the electrical winding and parameterize them using electrical parameters. The figure shows the equivalent circuit diagram for the primary winding.



- R_l is the leakage resistance.
- L_l is the leakage inductance.
- R_m is the magnetization resistance.
- L_m is the magnetization inductance.

Variables

Use the **Variables** settings to specify the priority and initial target values for the block variables before simulation. For more information, see “Set Priority and Initial Target for Block Variables”.

Ports

- + Positive electrical conserving port
- Negative electrical conserving port
- N North magnetic conserving port
- S South magnetic conserving port

Parameters

Main

Number of winding turns

Number of wire turns on the transformer winding. The default value is 10.

Leakage resistance

Power loss in the winding. The default value is $1e-3$ Ohm.

Leakage inductance

Magnetic flux loss in the winding. The default value is $1e-3$ H.

Core-loss resistance

Magnetic losses in the transformer core. The default value is $1e6$ Ohm.

Magnetization inductance

Magnetic effects in the transformer core when operating in its linear region. The default value is $1e6$ H.

See Also

Electromagnetic Converter | Secondary Winding

Topics

“Three-Phase Custom Zigzag Transformer”

“Push-Pull Buck Converter in Continuous Conduction Mode”

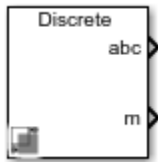
“Push-Pull Buck Converter in Discontinuous Conduction Mode”

Introduced in R2013b

Programmable Signal Generator (Three-Phase)

Discrete-time or continuous-time three-phase sinusoidal signal generator with programmable magnitude, phase, frequency, and overlapping harmonics

Library: Simscape / Electrical / Control / General Control



Description

The Programmable Signal Generator (Three-Phase) generates a three-phase sinusoidal signal with programmable magnitude, phase, and frequency over time. You can specify one or two harmonics that can be overlapped on the signal fundamental frequency.

You can switch between continuous and discrete implementations of the block by using the **Sample time** parameter. To configure the block for continuous time, set **Sample time** to 0. To configure the block for discrete time, set **Sample time** to a positive, nonzero value.

Ports

Output

abc — Three-phase sinusoidal signal

vector

Three-phase sinusoidal signal, returned as a vector.

Data Types: single | double

m — Signal measurements

vector

Magnitude, frequency, phase, and angle of the sine wave of all three phases of the sinusoidal signal, returned as a vector.

Data Types: single | double

Parameters

Sample time — Block sample time

1e-5 (default) | 0 | positive scalar

Time between consecutive block executions. During execution, the block produces outputs and, if appropriate, updates its internal state. For more information, see “What Is Sample Time?” and “Specify Sample Time”.

For discrete-time operation, specify a positive integer. For continuous-time operation, specify 0.

Magnitude

Variation configuration — Type of magnitude variation

Constant (default) | Ramp | Step | Modulation | Table

Type of variation to apply to the signal magnitude.

Magnitude (value) — Magnitude of generated three-phase sine wave

100 (default) | scalar

Magnitude of the generated positive-sequence three-phase sine wave.

Dependencies

To enable this parameter, set **Variation configuration** to Constant, Ramp, Step, or Modulation.

Rate of change (value/s) — Magnitude rate of change

100 (default) | scalar

Rate of change of the magnitude.

Dependencies

To enable this parameter, set **Variation configuration** to Ramp.

Step value (value) — Magnitude step value

100 (default) | scalar

Amplitude of the step variation for the signal magnitude.

Dependencies

To enable this parameter, set **Variation configuration** to Step.

Modulation magnitude — Modulation magnitude

50 (default) | scalar

Magnitude of the modulation for the signal magnitude.

Dependencies

To enable this parameter, set **Variation configuration** to Modulation.

Modulation frequency — Modulation frequency

10 (default) | scalar

Frequency of the modulation for the signal magnitude.

Dependencies

To enable this parameter, set **Variation configuration** to Modulation.

Start time — Start time of magnitude variation

0.1 (default) | scalar

Time when the programmed variation on the magnitude starts.

Dependencies

To enable this parameter, set **Variation configuration** to Constant, Ramp, Step, or Modulation.

Stop time — Stop time of magnitude variation

0.6 (default) | scalar

Time when the programmed variation on the magnitude stops.

Dependencies

To enable this parameter, set **Variation configuration** to Constant, Ramp, Step, or Modulation.

Table data — Magnitude table values

[0 30 60 90] (default) | vector

Values of the signal magnitude that correspond to the time values specified in the **Time values** parameter.

Dependencies

To enable this parameter, set **Variation configuration** to Table.

Time values — Magnitude time values

[0 0.3 0.6 0.9] (default) | vector

Time values when the signal magnitude changes to the values specified in the **Table data** parameter.

Dependencies

To enable this parameter, set **Variation configuration** to Table.

Frequency**Variation configuration — Type of frequency variation**

Constant (default) | Ramp | Step | Modulation | Table

Type of variation to apply to the signal frequency.

Frequency (Hz) — Frequency of generated three-phase sine wave

100 (default) | scalar

Frequency of the generated positive-sequence three-phase sine wave.

Dependencies

To enable this parameter, set **Variation configuration** to Constant, Ramp, Step, or Modulation.

Rate of change (Hz/s) — Frequency rate of change

100 (default) | scalar

Rate of change of the frequency.

Dependencies

To enable this parameter, set **Variation configuration** to Ramp.

Step value (Hz) — Frequency step value

100 (default) | scalar

Amplitude of the step variation for the signal frequency.

Dependencies

To enable this parameter, set **Variation configuration** to Step.

Modulation magnitude — Frequency modulation magnitude

50 (default) | scalar

Magnitude of the modulation for the signal frequency.

Dependencies

To enable this parameter, set **Variation configuration** to Modulation.

Modulation frequency — Frequency modulation frequency

10 (default) | scalar

Frequency of the modulation for the signal frequency.

Dependencies

To enable this parameter, set **Variation configuration** to Modulation.

Start time — Start time of frequency variation

0.1 (default) | scalar

Time when the programmed variation on the frequency starts.

Dependencies

To enable this parameter, set **Variation configuration** to Constant, Ramp, Step, or Modulation.

Stop time — Stop time of frequency variation

0.6 (default) | scalar

Time when the programmed variation on the frequency stops.

Dependencies

To enable this parameter, set **Variation configuration** to Constant, Ramp, Step, or Modulation.

Table data — Frequency table values

[0 30 60 90] (default) | vector

Values of the signal frequency that correspond to the time values specified in the **Time values** parameter.

Dependencies

To enable this parameter, set **Variation configuration** to Table.

Time values — Frequency time values

[0 0.3 0.6 0.9] (default) | vector

Time values when the signal frequency changes to the values specified in the **Table data** parameter.

Dependencies

To enable this parameter, set **Variation configuration** to Table.

Phase**Variation configuration — Type of phase variation**

Constant (default) | Ramp | Step | Modulation | Table

Type of variation to apply to the phase magnitude.

Phase shift (deg) — Phase shift of generated three-phase sine wave

100 (default) | scalar

Phase shift of the generated positive-sequence three-phase sine wave.

Dependencies

To enable this parameter, set **Variation configuration** to Constant, Ramp, Step, or Modulation.

Rate of change (deg/s) — Phase rate of change

100 (default) | scalar

Rate of change of the phase.

Dependencies

To enable this parameter, set **Variation configuration** to Ramp.

Step value (deg) — Phase step value

100 (default) | scalar

Amplitude of the step variation for the signal phase.

Dependencies

To enable this parameter, set **Variation configuration** to Step.

Modulation magnitude — Phase modulation magnitude

50 (default) | scalar

Magnitude of the modulation for the signal phase.

Dependencies

To enable this parameter, set **Variation configuration** to Modulation.

Modulation frequency — Phase modulation frequency

10 (default) | scalar

Frequency of the modulation for the signal phase.

Dependencies

To enable this parameter, set **Variation configuration** to Modulation.

Start time — Start time of phase variation

0.1 (default) | scalar

Time when the programmed variation on the phase starts.

Dependencies

To enable this parameter, set **Variation configuration** to Constant, Ramp, Step, or Modulation.

Stop time — Stop time of phase variation

0.6 (default) | scalar

Time when the programmed variation on the phase stops.

Dependencies

To enable this parameter, set **Variation configuration** to Constant, Ramp, Step, or Modulation.

Table data — Phase table values

[0 30 60 90] (default) | vector

Values of the signal phase that correspond to the time values specified in the **Time values** parameter.

Dependencies

To enable this parameter, set **Variation configuration** to Table.

Time values — Phase time values

[0 0.3 0.6 0.9] (default) | vector

Time values when the signal frequency changes to the values specified in the **Table data** parameter.

Dependencies

To enable this parameter, set **Variation configuration** to Table.

Harmonics

Enable harmonic A — Harmonic A overlap

off (default) | on

Whether harmonic A overlaps the fundamental frequency of the generated signal.

Harmonic sequence — Type of harmonic A sequence

Zero Sequence (default) | Positive Sequence | Negative Sequence

Type of sequence for harmonic A.

Dependencies

To enable this parameter, select the **Enable harmonic A** check box.

Harmonic order — Order of harmonic A

3 (default) | scalar

Order of harmonic A that overlaps the signal fundamental frequency.

Dependencies

To enable this parameter, select the **Enable harmonic A** check box.

Harmonic magnitude — Magnitude of harmonic A

50 (default) | scalar

Magnitude of harmonic A that overlaps the signal fundamental frequency.

Dependencies

To enable this parameter, select the **Enable harmonic A** check box.

Harmonic phase shift — Phase shift of harmonic A

180 (default) | scalar

Phase shift of harmonic A that overlaps the signal fundamental frequency.

Dependencies

To enable this parameter, select the **Enable harmonic A** check box.

Start time — Start time of harmonic A overlap

0.1 (default) | scalar

Time when the harmonic A overlaps the signal fundamental frequency.

Dependencies

To enable this parameter, select the **Enable harmonic A** check box.

Stop time — Stop time of harmonic A overlap

0.6 (default) | scalar

Time when the harmonic A stops overlapping the signal fundamental frequency.

Dependencies

To enable this parameter, select the **Enable harmonic A** check box.

Enable harmonic B — Harmonic B overlap

off (default) | on

Whether harmonic B overlaps the fundamental frequency of the generated signal.

Harmonic sequence — Type of sequence of harmonic B

Zero Sequence (default) | Positive Sequence | Negative Sequence

Type of sequence for harmonic B.

Dependencies

To enable this parameter, select the **Enable harmonic B** check box.

Harmonic order — Order of harmonic B

3 (default) | scalar

Order of harmonic B that overlaps the signal fundamental frequency.

Dependencies

To enable this parameter, select the **Enable harmonic B** check box.

Harmonic magnitude — Magnitude of harmonic B

50 (default) | scalar

Magnitude of harmonic B that overlaps the signal fundamental frequency.

Dependencies

To enable this parameter, select the **Enable harmonic B** check box.

Harmonic phase shift — Phase shift of harmonic B

180 (default) | scalar

Phase shift of harmonic B that overlaps the signal fundamental frequency.

Dependencies

To enable this parameter, select the **Enable harmonic B** check box.

Start time — Start time of harmonic B overlap

0.1 (default) | scalar

Time when the harmonic B overlaps the signal fundamental frequency.

Dependencies

To enable this parameter, select the **Enable harmonic B** check box.

Stop time — Stop time of harmonic B overlap

0.6 (default) | scalar

Time when the harmonic B stops overlapping the signal fundamental frequency.

Dependencies

To enable this parameter, select the **Enable harmonic B** check box.

Extended Capabilities**C/C++ Code Generation**

Generate C and C++ code using Simulink® Coder™.

See Also

Sine Wave Generator (Three-Phase) | Stair Generator

Introduced in R2020a

Programmable Voltage Source

Single-phase AC voltage source with optional programmable magnitude, frequency, phase shift and DC offset

Library: Simscape / Electrical / Sources



Description

The Programmable Voltage Source block models a single-phase AC voltage source with programmable magnitude, frequency, phase shift and DC offset. Choose the external mode to specify these quantities by physical input signals **M**, **F**, **Phi** and **DC**. Harmonics and noise can be included in the voltage source.

For relevant equations, see the Voltage Source block.

Limitations

Simulating with harmonics enabled slows down simulation. If you include harmonics, choose a sample time such that harmonics are generated only at frequencies of interest, and not higher.

Simulating with noise enabled slows down simulation. If you include noise, choose a sample time such that noise is generated only at frequencies of interest, and not higher.

Variables

Use the **Variables** settings to specify the priority and initial target values for the block variables before simulation. For more information, see “Set Priority and Initial Target for Block Variables”.

Ports

Input

DC — DC component

physical signal

Physical signal input associated with the DC component of the voltage.

F — Frequency

physical signal

Physical signal input associated with the frequency.

M — Magnitude

physical signal

Physical signal input associated with the magnitude.

Phi — Phase shift

physical signal

Physical signal input associated with the phase shift.

Conserving

+ — Positive voltage

electrical

Electrical conserving port associated with the positive voltage.

- — Negative voltage

electrical

Electrical conserving port associated with the negative voltage.

Parameters

AC Magnitude

AC magnitude configuration — AC voltage magnitude configuration

Constant (default) | RampStepModulationExternal

Configure the magnitude of the AC component of the voltage.

Dependencies

Selecting Constant, Ramp, Step, or Modulation exposes related parameters.

Selecting External exposes a physical signal input port.

AC voltage peak magnitude — AC voltage peak magnitude

100 V (default)

AC voltage peak magnitude.

Dependencies

This parameter is exposed when the **AC magnitude configuration** parameter is set to Constant, Ramp, Step, or Modulation.

Rate of change — AC voltage rate of change

1 V/s (default)

AC voltage rate of change.

Dependencies

This parameter is exposed when the **AC magnitude configuration** parameter is set to Ramp.

Step amplitude — AC voltage step amplitude

1 V (default)

AC voltage step amplitude.

Dependencies

This parameter is exposed when the **AC magnitude configuration** parameter is set to Step.

Modulation magnitude – AC voltage modulation magnitude

1 V (default)

AC voltage modulation magnitude.

Dependencies

This parameter is exposed when the **AC magnitude configuration** parameter is set to Modulation.

Modulation frequency – AC voltage modulation frequency

1 Hz (default)

AC voltage modulation frequency.

Dependencies

This parameter is exposed when the **AC magnitude configuration** parameter is set to Modulation.

Start time – AC voltage start time

1s (default)

Simulation time for start of AC voltage.

Dependencies

This parameter is exposed when the **AC magnitude configuration** parameter is set to Ramp, Step, or Modulation.

Stop time – AC voltage stop time

2s (default)

Simulation time for stop of AC voltage.

Dependencies

This parameter is exposed when the **AC magnitude configuration** parameter is set to Ramp, Step, or Modulation.

Frequency**AC frequency configuration – AC frequency configuration**

Constant (default) | RampStepModulationExternal

Configure the frequency of the AC component of the voltage.

Dependencies

Selecting Constant, Ramp, Step, or Modulation exposes related parameters.

Selecting External exposes a physical signal input port.

AC voltage frequency – AC voltage frequency

60 Hz (default)

AC voltage frequency.

Dependencies

This parameter is exposed when the **AC frequency configuration** parameter is set to Constant, Ramp, Step, or Modulation.

Rate of change — AC frequency rate of change

1 Hz/s (default)

AC frequency rate of change.

Dependencies

This parameter is exposed when the **AC frequency configuration** parameter is set to Ramp.

Step amplitude — AC frequency step amplitude

1 Hz (default)

AC frequency step amplitude.

Dependencies

This parameter is exposed when the **AC frequency configuration** parameter is set to Step.

Modulation magnitude — AC frequency modulation magnitude

1 Hz (default)

AC frequency modulation magnitude.

Dependencies

This parameter is exposed when the **AC frequency configuration** parameter is set to Modulation.

Modulation frequency — AC frequency modulation frequency

1 Hz (default)

AC frequency modulation frequency.

Dependencies

This parameter is exposed when the **AC frequency configuration** parameter is set to Modulation.

Start time — AC frequency start time

1s (default)

Simulation time for starting AC frequency.

Dependencies

This parameter is exposed when the **AC frequency configuration** parameter is set to Ramp, Step, or Modulation.

Stop time — AC frequency start time

2s (default)

Simulation time for stopping AC frequency.

Dependencies

This parameter is exposed when the **AC frequency configuration** parameter is set to Ramp, Step, or Modulation.

Phase**AC phase shift configuration — AC phase shift configuration**

Constant (default) | RampStepModulationExternal

Configure the phase of the AC component of the voltage.

Dependencies

Selecting Constant, Ramp, Step, or Modulation exposes related parameters.

Selecting External exposes a physical signal input port.

AC voltage phase shift — AC voltage phase shift

0 deg (default)

AC voltage phase shift.

Dependencies

This parameter is exposed when the **AC phase shift configuration** parameter is set to Constant, Ramp, Step, or Modulation.

Rate of change — AC phase shift rate of change

1 deg/s (default)

AC phase shift rate of change.

Dependencies

This parameter is exposed when the **AC phase shift configuration** parameter is set to Ramp.

Step amplitude — AC phase shift step amplitude

1 deg (default)

AC phase shift step amplitude.

Dependencies

This parameter is exposed when the **AC phase shift configuration** parameter is set to Step.

Modulation magnitude — AC phase shift modulation magnitude

1 deg (default)

AC phase shift modulation magnitude.

Dependencies

This parameter is exposed when the **AC phase shift configuration** parameter is set to Modulation.

Modulation frequency — AC phase shift modulation frequency

1 Hz (default)

AC phase shift modulation frequency.

Dependencies

This parameter is exposed when the **AC phase shift configuration** parameter is set to **Modulation**.

Start time — AC phase shift start time

1s (default)

Simulation time for starting AC phase shift.

Dependencies

This parameter is exposed when the **AC phase shift configuration** parameter is set to **Ramp**, **Step**, or **Modulation**.

Stop time — AC phase shift start time

2s (default)

Simulation time for stopping AC phase shift.

Dependencies

This parameter is exposed when the **AC phase shift configuration** parameter is set to **Ramp**, **Step**, or **Modulation**.

DC Voltage**DC voltage configuration — DC voltage configuration**

Constant (default) | RampStepModulationExternal

Configure the DC component of the voltage.

Dependencies

Selecting **Constant**, **Ramp**, **Step**, or **Modulation** exposes related parameters.

Selecting **External** exposes a physical signal input port.

DC voltage — DC voltage magnitude

0 V (default)

DC voltage magnitude.

Dependencies

This parameter is exposed when the **DC magnitude configuration** parameter is set to **Constant**, **Ramp**, **Step**, or **Modulation**.

Rate of change — DC voltage rate of change

1 V/s (default)

DC voltage rate of change.

Dependencies

This parameter is exposed when the **DC magnitude configuration** parameter is set to **Ramp**.

Step amplitude — DC voltage step amplitude

1 V (default)

DC voltage step amplitude.

Dependencies

This parameter is exposed when the **DC magnitude configuration** parameter is set to Step.

Modulation magnitude — DC voltage modulation magnitude

1 V (default)

DC voltage modulation magnitude.

Dependencies

This parameter is exposed when the **DC magnitude configuration** parameter is set to Modulation.

Modulation frequency — DC voltage modulation frequency

1 Hz (default)

DC voltage modulation frequency.

Dependencies

This parameter is exposed when the **DC magnitude configuration** parameter is set to Modulation.

Start time — DC voltage start time

1s (default)

Simulation time for start of DC voltage.

Dependencies

This parameter is exposed when the **DC magnitude configuration** parameter is set to Ramp, Step, or Modulation.

Stop time — DC voltage stop time

2s (default)

Simulation time for stop of DC voltage.

Dependencies

This parameter is exposed when the **DC magnitude configuration** parameter is set to Ramp, Step, or Modulation.

Harmonics**Source harmonics — Source harmonics configuration**

None (default) | `Generate harmonics`

Configure the source harmonics.

Dependencies

Selecting `Generate harmonics` exposes related parameters.

Harmonic orders — Harmonic orders

[5, 7, 11, 13] (default)

Harmonic orders.

Dependencies

This parameter is exposed when the **Source harmonics** parameter is set to Generate harmonics.

Harmonic to base magnitude ratios – Harmonic to base magnitude ratios

[.1, .1, .1, .1] (default)

Harmonic to base magnitude ratios. Specify the same number of elements as is specified for the **Harmonic orders** parameter.

Dependencies

This parameter is exposed when the **Source harmonics** parameter is set to Generate harmonics.

Harmonic phase shifts – Harmonic phase shifts

[0, 0, 0, 0] deg (default)

Harmonic phase shifts. Specify the same number of elements as is specified for the **Harmonic orders** parameter.

Dependencies

This parameter is exposed when the **Source harmonics** parameter is set to Generate harmonics.

Start time – Source harmonics start time

-infs (default)

Simulation time for start of source harmonics.

Dependencies

This parameter is exposed when the **Source harmonics** parameter is set to Generate harmonics.

Stop time – Source harmonics stop time

infs (default)

Simulation time for stop of source harmonics.

Dependencies

This parameter is exposed when the **Source harmonics** parameter is set to Generate harmonics.

Noise**Noise mode – Option to include noise**

Disabled (default) | Enabled

Noise configuration.

Dependencies

Selecting Enabled exposes related parameters.

Power spectral density – Power spectral density

0 V²/Hz (default)

Single-sided spectrum noise power. Density function for the square of the voltage, commonly thought of as a power into a 1 ohm load. To avoid unit ambiguity, some datasheets quote noise voltage as a

noise density with units of V/√Hz. In this case, enter the square of the noise density quoted in the datasheet as the parameter value.

Selecting Enabled for the **Noise mode** parameter exposes this parameter.

Dependencies

Selecting Enabled for the **Noise mode** parameter exposes this parameter.

Repeatability — Random number seed control

Not repeatable (default) | Repeatable | Specify seed

The random number seed is the number that initializes the random number generator. The seed is 0 or a positive integer. To control the random number seed, set this parameter to:

- **Not repeatable** — The seed changes every time you simulate your model. The block resets the random seed using the MATLAB random number generator command:

```
seed = randi(2^32-1);
```

- **Repeatable** — The seed is the same random number at the start of every simulation. The block sets the value using the same MATLAB random number generator command used by the **Not repeatable** parameter.

When you add a Force Noise Source block to your model from the Sources library, the block generates and stores a random value for the repeated seed. When you make a copy of the Force Noise Source block from an existing block in a model, the copy generates a new random value for the repeated seed.

- **Specify seed** — The seed is a number that you specify using the **Seed** parameter. The **Seed** parameter is only available when you choose **Specify seed** for the **Repeatability** parameter.

Dependencies

Selecting Enabled for the **Noise mode** parameter exposes this parameter.

Selecting Repeatable or Specify seed exposes related parameters.

Auto-generated seed used for repeatable option — Auto-generate seed

0 (default)

Seed is auto-generated.

Dependencies

Selecting Enabled for the **Noise mode** parameter and Repeatable for the **Repeatability** parameter exposes this parameter.

Seed — Random number generation seed value

0 (default)

The seed must be 0 or a positive integer. This parameter is only available when you select **Specify seed** for the **Repeatability** parameter.

Dependencies

Selecting Enabled for the **Noise mode** parameter and Specify seed for the **Repeatability** parameter exposes this parameter.

Sample time — Time step period and offset

1e-3 s (default) | [*step*, *offset*] s

The values of the time *step* period and the initial time *offset*. If you specify a scalar value for *step*, the block assumes an *offset* value of 0. To specify a nonzero value for the initial time offset, specify the parameter values using the vector [*step*, *offset*]. The *offset* value must be less than the *step* value and greater than or equal to zero.

Dependencies

Selecting Enabled for the **Noise mode** parameter exposes related parameters.

Extended Capabilities**C/C++ Code Generation**

Generate C and C++ code using Simulink® Coder™.

See Also

Programmable Voltage Source (Three-Phase) | Voltage Source | Voltage Source (Three-Phase)

Introduced in R2019a

Programmable Voltage Source (Three-Phase)

Three-phase voltage source with optional programmable AC magnitude, frequency, and phase shift

Library: Simscape / Electrical / Sources



Description

The Programmable Voltage Source (Three-Phase) block models a three-phase voltage source with programmable AC magnitude, frequency, and phase shift. Choose the external mode to specify these quantities by physical input signals **M**, **F**, and **Phi**. You can add harmonics and internal impedance to the voltage source.

For relevant equations, see the Voltage Source (Three-Phase) block.

Variables

Use the **Variables** settings to specify the priority and initial target values for the block variables before simulation. For more information, see “Set Priority and Initial Target for Block Variables”.

Ports

Input

F — Frequency

physical signal

Physical signal input associated with the frequency.

M — Magnitude

physical signal

Physical signal input associated with the magnitude.

Phi — Phase shift

physical signal

Physical signal input associated with the phase shift.

Conserving

n — Neutral

electrical

Electrical conserving port associated with a neutral point.

~ — Three-phase AC voltage

electrical

Expandable electrical conserving three-phase port associated with the AC voltage.

Parameters**AC Magnitude****AC magnitude configuration — AC voltage magnitude configuration**

Constant (default) | Ramp | Step | Modulation | External

Configure the magnitude of the AC component of the voltage.

Dependencies

Selecting Constant, Ramp, Step, or Modulation exposes related parameters.

Selecting External exposes a physical signal input port.

Rated voltage (phase-to-phase RMS) — Rated AC voltage

100 V (default)

Rated AC voltage (phase-to-phase RMS).

Dependencies

This parameter is exposed when the **AC magnitude configuration** parameter is set to Constant, Ramp, Step, or Modulation.

Rate of change — AC voltage rate of change

1 V/s (default)

AC voltage rate of change.

Dependencies

This parameter is exposed when the **AC magnitude configuration** parameter is set to Ramp.

Step amplitude — AC voltage step amplitude

1 V (default)

AC voltage step amplitude.

Dependencies

This parameter is exposed when the **AC magnitude configuration** parameter is set to Step.

Modulation magnitude — AC voltage modulation magnitude

1 V (default)

AC voltage modulation magnitude.

Dependencies

This parameter is exposed when the **AC magnitude configuration** parameter is set to Modulation.

Modulation frequency – AC voltage modulation frequency

1 Hz (default)

AC voltage modulation frequency.

DependenciesThis parameter is exposed when the **AC magnitude configuration** parameter is set to Modulation.**Start time – AC voltage start time**

1s (default)

Simulation time for start of AC voltage.

DependenciesThis parameter is exposed when the **AC magnitude configuration** parameter is set to Ramp, Step, or Modulation.**Stop time – AC voltage stop time**

2s (default)

Simulation time for stop of AC voltage.

DependenciesThis parameter is exposed when the **AC magnitude configuration** parameter is set to Ramp, Step, or Modulation.**Frequency****AC frequency configuration – AC frequency configuration**

Constant (default) | Ramp | Step | Modulation | External

Configure the frequency of the AC component of the voltage.

Dependencies

Selecting Constant, Ramp, Step, or Modulation exposes related parameters.

Selecting External exposes a physical signal input port.

Rated frequency – Rated frequency

60 Hz (default)

Rated frequency.

DependenciesThis parameter is exposed when the **AC frequency configuration** parameter is set to Constant, Ramp, Step, or Modulation.**Rate of change – AC frequency rate of change**

1 Hz/s (default)

AC frequency rate of change.

Dependencies

This parameter is exposed when the **AC frequency configuration** parameter is set to Ramp.

Step amplitude — AC frequency step amplitude

1 Hz (default)

AC frequency step amplitude.

Dependencies

This parameter is exposed when the **AC frequency configuration** parameter is set to Step.

Modulation magnitude — AC frequency modulation magnitude

1 Hz (default)

AC frequency modulation magnitude.

Dependencies

This parameter is exposed when the **AC frequency configuration** parameter is set to Modulation.

Modulation frequency — AC frequency modulation frequency

1 Hz (default)

AC frequency modulation frequency.

Dependencies

This parameter is exposed when the **AC frequency configuration** parameter is set to Modulation.

Start time — AC frequency start time

1s (default)

Simulation time for starting AC frequency.

Dependencies

This parameter is exposed when the **AC frequency configuration** parameter is set to Ramp, Step, or Modulation.

Stop time — AC frequency start time

2s (default)

Simulation time for stopping AC frequency.

Dependencies

This parameter is exposed when the **AC frequency configuration** parameter is set to Ramp, Step, or Modulation.

Phase**AC phase shift configuration — AC phase shift configuration**

Constant (default) | Ramp | Step | Modulation | External

Configure the phase of the AC component of the voltage.

Dependencies

Selecting Constant, Ramp, Step, or Modulation exposes related parameters.

Selecting External exposes a physical signal input port.

Phase shift — AC voltage phase shift

0 deg (default)

AC voltage phase shift.

Dependencies

This parameter is exposed when the **AC phase shift configuration** parameter is set to Constant, Ramp, Step, or Modulation.

Rate of change — AC phase shift rate of change

1 deg/s (default)

AC phase shift rate of change.

Dependencies

This parameter is exposed when the **AC phase shift configuration** parameter is set to Ramp.

Step amplitude — AC phase shift step amplitude

1 deg (default)

AC phase shift step amplitude.

Dependencies

This parameter is exposed when the **AC phase shift configuration** parameter is set to Step.

Modulation magnitude — AC phase shift modulation magnitude

1 deg (default)

AC phase shift modulation magnitude.

Dependencies

This parameter is exposed when the **AC phase shift configuration** parameter is set to Modulation.

Modulation frequency — AC phase shift modulation frequency

1 Hz (default)

AC phase shift modulation frequency.

Dependencies

This parameter is exposed when the **AC phase shift configuration** parameter is set to Modulation.

Start time — AC phase shift start time

1s (default)

Simulation time for starting AC phase shift.

Dependencies

This parameter is exposed when the **AC phase shift configuration** parameter is set to Ramp, Step, or Modulation.

Stop time — AC phase shift start time

2s (default)

Simulation time for stopping AC phase shift.

Dependencies

This parameter is exposed when the **AC phase shift configuration** parameter is set to Ramp, Step, or Modulation.

Impedance**Source impedance — Source impedance configuration**

None (default) | X/R Ratio | Series R | Series L | Series RL

Source impedance configuration.

Dependencies

Selecting X/R Ratio, Series R, Series L, or Series RL exposes related parameters.

Short-circuit power level — Short-circuit power level

1e6 V*A (default)

Short-circuit power level.

Dependencies

This parameter is exposed when the **Source impedance** parameter is set to X/R Ratio.

Source X/R ratio — X/R ratio

15 (default)

Source X/R ratio.

Dependencies

This parameter is exposed when the **Source impedance** parameter is set to X/R Ratio.

Source resistance — Resistance

0.01 Ohm (default)

Source resistance.

Dependencies

This parameter is exposed when the **Source impedance** parameter is set to Series R or Series RL.

Source inductance — Inductance

3.97e-4 H (default)

Source inductance.

Dependencies

This parameter is exposed when the **Source impedance** parameter is set to Series L or Series RL.

Harmonics**Source harmonics — Source harmonics configuration**

None (default) | Generate harmonics

Configuration for the source harmonics.

Dependencies

Selecting Generate harmonics exposes related parameters.

Harmonic orders — Harmonic orders

[5, 7, 11, 13] (default)

Harmonic orders.

Dependencies

This parameter is exposed when the **Source harmonics** parameter is set to Generate harmonics.

Harmonic to base magnitude ratios — Harmonic to base magnitude ratios

[.1, .1, .1, .1] (default)

Harmonic to base magnitude ratios. Specify the same number of elements as is specified for the **Harmonic orders** parameter.

Dependencies

This parameter is exposed when the **Source harmonics** parameter is set to Generate harmonics.

Harmonic phase shifts — Harmonic phase shifts

[0, 0, 0, 0] deg (default)

Harmonic phase shifts. Specify the same number of elements as is specified for the **Harmonic orders** parameter.

Dependencies

This parameter is exposed when the **Source harmonics** parameter is set to Generate harmonics.

Harmonic sequences — Harmonic sequences

[1, 1, 1, 1] (default)

Harmonic sequences:

- 0 indicates zero-sequence
- 1 indicates positive-sequence
- 2 indicates negative-sequence

Specify the same number of elements as is specified for the **Harmonic orders** parameter.

Dependencies

This parameter is exposed when the **Source harmonics** parameter is set to Generate harmonics.

Start time – Source harmonics start time

-*infs* (default)

Simulation time for start of source harmonics.

Dependencies

This parameter is exposed when the **Source harmonics** parameter is set to Generate harmonics.

Stop time – Source harmonics stop time

infs (default)

Simulation time for stop of source harmonics.

Dependencies

This parameter is exposed when the **Source harmonics** parameter is set to Generate harmonics.

Extended Capabilities**C/C++ Code Generation**

Generate C and C++ code using Simulink® Coder™.

See Also

Programmable Voltage Source | Voltage Source | Voltage Source (Three-Phase)

Topics

“Expand and Collapse Three-Phase Ports on a Block”

Introduced in R2019a

Proximity Sensor

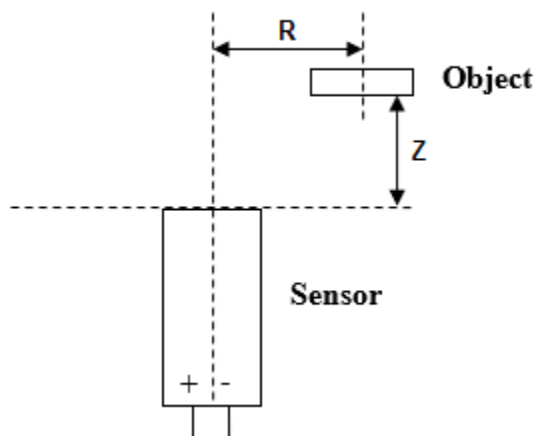
Ideal behavioral model of simple distance sensor

Library: Simscape / Electrical / Sensors & Transducers

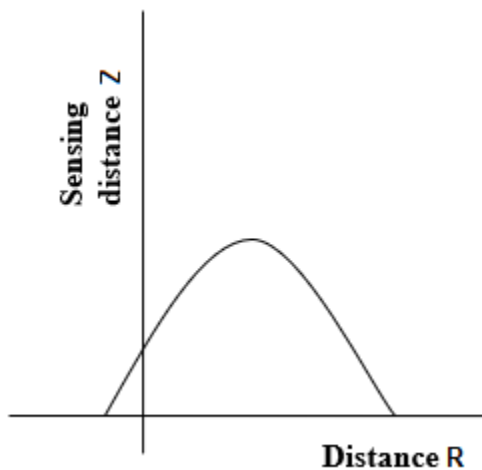


Description

The Proximity Sensor block represents a simple proximity sensor. The sensing distance Z is defined as the distance normal to the sensor surface at which the sensor detects an object for a given radial offset R , as shown in the following figure.



A typical sensing distance curve is shown in the following figure.



The output is modeled by an electrical switch which can either be Normally Open (N.O.) or Normally Closed (N.C.) when no object is detected.

Ports

Input

R – Radial distance

physical signal

Physical signal port associated with the radial distance to the sensor.

Z – Perpendicular distance

physical signal

Physical signal port associated with the perpendicular distance to the sensor.

Conserving

+ – Positive voltage

electrical

Electrical conserving port associated with the proximity sensor positive voltage.

- – Negative voltage

electrical

Electrical conserving port associated with the proximity sensor negative voltage.

Parameters

Vector of radial offset distances R – Vector of radial offset distances

[-25, -20, -15, -10, -5, 0, 5, 10, 15, 20, 25] mm (default)

Vector of distances from the sensor to the object resolved into a plane tangential to the sensor head.

Corresponding sensing distances Z – Corresponding sensing distances

[0, 0, 5, 8, 9.5, 10, 9.5, 8, 5, 0, 0] mm (default)

Vector of distances from the sensor to the object resolved with respect to a normal vector at the sensor head.

Output when not detected – Output when not detected

Normally Open (N.O.) (default) | Normally Closed (N.C.)

Indicates whether the output is Normally Open (N.O.), meaning the output becomes closed only when the object is detected, or Normally Closed (N.C.), meaning the output becomes open only when the object is detected.

Closed resistance R_closed – Closed resistance

0.01 Ohm (default)

Resistance between the + and - ports when the output contacts are closed.

Open conductance G_open — Open conductance

1e-8 1/0hm (default)

Conductance between the + and - ports when the output contacts are open.

Extended Capabilities

C/C++ Code Generation

Generate C and C++ code using Simulink® Coder™.

See Also

Introduced in R2008a

PS Sensor

Generic linear transducer with electrical output

Library: Simscape / Electrical / Sensors & Transducers



Description

The PS Sensor block represents a generic linear sensor. The block converts the physical signal input U into an electrical output Y across the + and - ports. The **Output type** parameter value determines which of the following electrical outputs the block produces:

- Output voltage
- Output current
- Output resistance

Y is related to U as $Y = \max(\min(A \cdot U + B, Y_{\max}), Y_{\min})$, where Y_{\min} and Y_{\max} are minimum and maximum limits on the output, respectively.

Ports

Input

U – Physical input signal

physical signal

Physical input signal.

Conserving

+ – Positive voltage

electrical

Electrical conserving port associated with the PS sensor positive voltage.

- – Negative voltage

electrical

Electrical conserving port associated with the PS sensor negative voltage.

Parameters

Output type – Sensor output type

Variable voltage (default) | Variable current | Variable resistor

Indicates whether the sensor output is a Variable voltage of Y V, a Variable current of Y A, or Variable resistor with a value of Y Ω .

Sensor gain, A – Output sensitivity

1 (default)

Sensitivity of the output Y with respect to the input U , dY/dU .

Sensor offset, B – Sensor offset

0 (default)

Output when the input U is zero. The output does not exceed the limits Y_{\max} and Y_{\min} .

Maximum output, Ymax – Maximum output

5 (default)

Upper limit on the sensor output. The following table shows the units of this parameter, which depend on the selected value of the **Output type** parameter.

Output type	Units
Variable voltage	V
Variable current	A
Variable resistor	Ω

Minimum output, Ymin – Minimum output

0.01 (default)

Lower limit on the sensor output. The following table shows the units of this parameter, which depend on the selected value of the **Output type** parameter.

Output type	Units
Variable voltage	V
Variable current	A
Variable resistor	Ω

If you select Variable resistance for the **Output type** parameter, the minimum resistance Y_{\min} must be greater than zero.

Extended Capabilities**C/C++ Code Generation**

Generate C and C++ code using Simulink® Coder™.

See Also

Controlled Current Source | Controlled Voltage Source | Variable Resistor

Introduced in R2008a

PTC Thermistor

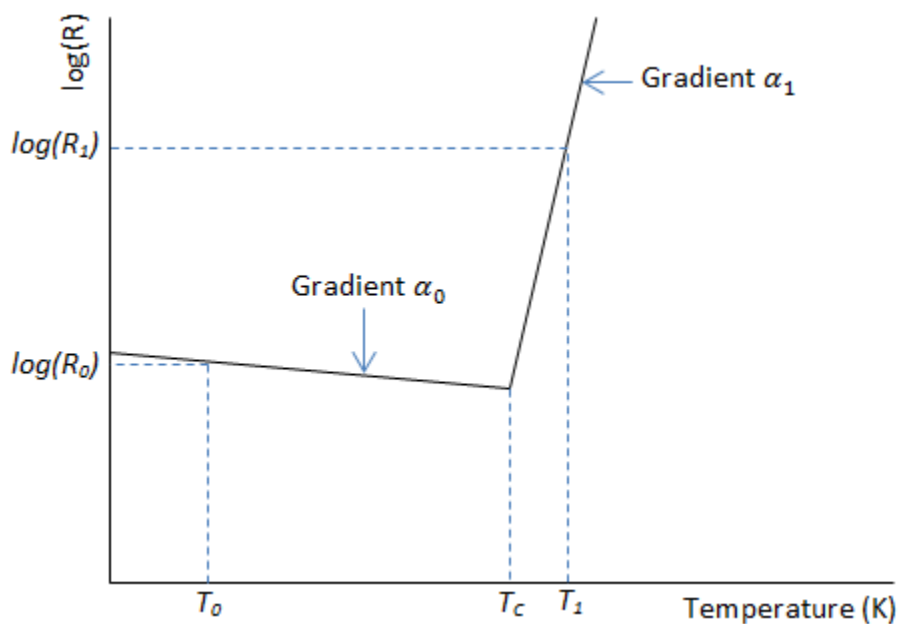
Switching type positive temperature coefficient (PTC) thermistor

Library: Simscape / Electrical / Sensors & Transducers



Description

The PTC Thermistor block represents a switching type Positive Temperature Coefficient (PTC) thermistor. This type of thermistor has a decreasing resistance with temperature increasing up to the Curie temperature. Above the Curie temperature the resistance increases very rapidly with increasing temperature, as shown in the following plot. The region to the right of the Curie temperature is called the PTC regime. To represent a non-switching linear PTC thermistor, use the Thermal Resistor block.



For a switching type PTC thermistor, the resistance R at temperature T is given by

$$R = \begin{cases} R_0 e^{\alpha_0(T - T_0)} & \text{for } T < T_c \\ R_1 e^{\alpha_1(T - T_1)} & \text{for } T \geq T_c \end{cases}$$

$$T_c = \frac{\log(R_1) - \log(R_0) + \alpha_0 T_0 - \alpha_1 T_1}{\alpha_0 - \alpha_1}$$

where:

- T_c is the Curie temperature.
- R_0 is the resistance at nominal temperature T_0 .
- R_1 is the resistance at reference temperature T_1 .
- T_0 is the nominal temperature at which the resistance is quoted, usually room temperature. T_0 is less than the Curie temperature T_c .
- T_1 is the reference temperature, equal or greater than the Curie temperature T_c , which means that at this temperature the PTC regime is in force.
- α_0 is the temperature coefficient at nominal temperature T_0 .
- α_1 is the temperature coefficient at reference temperature T_1 .

The following equation describes the thermal behavior of the block:

$$Q = K_d t_c \frac{dT}{dt}$$

where:

- Q is the net heat flow into port A.
- K_d is the **Dissipation factor** parameter value.
- t_c is the **Thermal time constant** parameter value.
- dT/dt is the rate of change of the temperature.

Variables

Use the **Variables** section of the block interface to set the priority and initial target values for the block variables prior to simulation. For more information, see “Set Priority and Initial Target for Block Variables”.

Ports

Conserving

A — Thermal port

thermal

Thermal port.

+ — Positive port

electrical

Electrical conserving port associated with the PTC thermistor positive port.

- — Negative port

electrical

Electrical conserving port associated with the PTC thermistor negative port.

Parameters

Electrical

Nominal resistance R_0 at T_0 — Nominal resistance at nominal temperature

1000 Ohm (default)

Nominal resistance of the thermistor at the nominal temperature. Many datasheets quote the nominal resistance at 25°C and list it as R25.

Temperature coefficient α_0 at T_0 — Temperature coefficient at nominal temperature

-0.01 1/K (default) | negative scalar

Temperature coefficient at the nominal temperature. The value must be less than zero.

Nominal temperature T_0 — Nominal temperature

298.15 K (default)

Temperature at which the nominal resistance is measured.

Reference resistance R_1 at T_1 — Reference resistance at reference temperature

10000 Ohm (default)

Reference resistance of the thermistor at the reference temperature.

Temperature coefficient α_1 at T_1 — Temperature coefficient at reference temperature

1 1/K (default) | positive scalar

Temperature coefficient at the reference temperature. The value must be greater than zero.

Reference temperature T_1 — Reference temperature

398.15 K (default)

Temperature at which the reference resistance is measured. This temperature must be in the PTC regime.

Thermal

Thermal time constant — Thermal time constant

5.0 s (default)

Time it takes the sensor temperature to reach 63% of the final temperature change when a step change in ambient temperature occurs.

Dissipation factor — Dissipation factor

0.75e-3 W/K (default)

Thermal power required to raise the thermistor temperature by one K.

Extended Capabilities

C/C++ Code Generation

Generate C and C++ code using Simulink® Coder™.

See Also

Resistor | Thermal Resistor | Thermistor

Introduced in R2012b

Pulse Current Source

Periodic square wave current source

Library: Simscape / Electrical / Additional Components / SPICE Sources



Description

The Pulse Current Source block represents a current source whose output current value is a periodic square pulse as a function of time and is independent of the voltage across the terminals of the source. The following equations describe the current through the source as a function of time:

$$I_{out}(0) = I_1$$

$$I_{out}(TD) = I_1$$

$$I_{out}(TD + TR) = I_2$$

$$I_{out}(TD + TR + PW) = I_2$$

$$I_{out}(TD + TR + PW + TF) = I_1$$

$$I_{out}(TD + PER) = I_1$$

Where:

- I_1 is the output current at time zero.
- I_2 is the output current when the output is high.
- TD is the time at which the pulse first starts.
- TR is the time that it takes the output current to rise from I_1 to I_2 .
- TF is the time it takes the output current to fall from I_2 to I_1 .
- PW is the time width of the output pulse.
- PER is the period of the output pulse.

The block determines the values at intermediate time points by linear interpolation.

The specified values for PW and PER have the following effect on the block output:

- If both PW and PER are infinite, the block produces a step response at time TD .
- If PER is infinite and PW is finite, the block produces a single pulse of width PW and infinite period.
- If PW is infinite and PER is finite, the block produces a step response with pulses of width TR to a value I_1 every PER seconds.

- If $PW > PER$, the block produces a step response with pulses of width TR to a value I_1 every PER seconds.

The block uses a small conductance internally to prevent numerical simulation issues. The conductance connects the + and - ports of the device and has a conductance $GMIN$:

- By default, $GMIN$ matches the **GMIN** parameter of the Environment Parameters block, whose default value is $1e-121/0\Omega$.
- To change $GMIN$, add an Environment Parameters block to your model and set the **GMIN** parameter to the desired value.

Ports

Conserving

+ – Positive terminal

electrical

Electrical conserving port associated with the pulse current source positive terminal.

- – Negative terminal

electrical

Electrical conserving port associated with the pulse current source negative terminal.

Parameters

Initial value, I1 – Initial output current

0 A (default)

Value of the output current at time zero, in A.

Pulse value, I2 – High output current

0 A (default)

Value of the output current when the output is high, in A.

Pulse delay time, TD – Pulse delay time

0 s (default)

Time at which the pulse first starts, in s.

Pulse rise time, TR – Pulse rise time

$1e-9$ s (default) | nonnegative scalar

Time it takes the output current to rise from the **Initial value, I1** value to the **Pulse value, I2** value. The value must be greater than or equal to 0.

Pulse fall time, TF – Pulse fall time

$1e-9$ s (default) | nonnegative scalar

Time it takes the output current to fall from the **Pulse value, I2** value to the **Initial value, I1** value. The value must be greater than or equal to 0.

Pulse width, PW — Output pulse time width

Inf s (default) | positive scalar

Time width of the output pulse. The value must be greater than 0.

Pulse period, PER — Output pulse period

Inf s (default) | positive scalar

Period of the output pulse. For the default value, Inf s, the block produces a single pulse with an infinite period.

Include parallel conductance, GMIN — Whether to include parallel conductance

Yes (default) | No

Specify if the current source includes a parallel conductance. The value of the parallel conductance, *GMIN*, depends on whether your model contains an Environment Parameters block.

This table shows the possible values of the parallel conductance, *GMIN*:

Values of parallel conductance, GMIN

Include parallel conductance, GMIN		
Yes		No
Model contains Environment Parameters block	Model does not contain Environment Parameters block	Parallel conductance, <i>GMIN</i> , is not included and it does not affect the current source.
<i>GMIN</i> is equal to the value of the GMIN parameter in the Environment Parameters block.	<i>GMIN</i> = 1e-12 Ohm	

Extended Capabilities**C/C++ Code Generation**

Generate C and C++ code using Simulink® Coder™.

See Also**Simscape Blocks**

Environment Parameters | Piecewise Linear Current Source | Pulse Voltage Source

Functions

subcircuit2ssc

Topics

“Additional Parameterization Workflows”

“Converting a SPICE Netlist to Simscape Blocks”

“Parameterize an Exponential Diode from SPICE Netlist”

Introduced in R2008a

Pulse Voltage Source

Periodic square wave voltage source

Library: Simscape / Electrical / Additional Components / SPICE Sources



Description

The Pulse Voltage Source block represents a voltage source whose output voltage value is a periodic square pulse as a function of time and is independent of the current through the source. The following equations describe the output voltage as a function of time:

$$V_{out}(0) = V_1$$

$$V_{out}(TD) = V_1$$

$$V_{out}(TD + TR) = V_2$$

$$V_{out}(TD + TR + PW) = V_2$$

$$V_{out}(TD + TR + PW + TF) = V_1$$

$$V_{out}(TD + PER) = V_1$$

where:

- V_1 is the output voltage at time zero.
- V_2 is the output voltage when the output is high.
- TD is the time at which the pulse first starts.
- TR is the time that it takes the output voltage to rise from V_1 to V_2 .
- TF is the time that it takes the output voltage to fall from V_2 to V_1 .
- PW is the time width of the output pulse.
- PER is the period of the output pulse.

The block determines the values at intermediate time points by linear interpolation.

The specified values for PW and PER have the following effect on the block output:

- If both PW and PER are infinite, the block produces a step response at time TD .
- If PER is infinite and PW is finite, the block produces a single pulse of width PW and infinite period.
- If PW is infinite and PER is finite, the block produces a step response with pulses of width TR to a value V_1 every PER seconds.

- If $PW > PER$, the block produces a step response with pulses of width TR to a value $V1$ every PER seconds.

Ports

Conserving

+ — Positive voltage

electrical

Electrical conserving port associated with the pulse voltage source positive voltage

- — Negative voltage

electrical

Electrical conserving port associated with the pulse voltage source negative voltage

Parameters

Initial value, V1 — Initial output voltage

0 V (default)

Value of the output voltage at time zero, in V.

Pulse value, V2 — High output voltage

0 V (default)

Value of the output voltage when the output is high, in V.

Pulse delay time, TD — Pulse delay time

0 s (default)

Time at which the pulse first starts, in s.

Pulse rise time, TR — Pulse rise time

1e-9 s (default) | nonnegative scalar

Time it takes the output voltage to rise from the **Initial value, V1** value to the **Pulse value, V2** value. The value must be greater than or equal to 0.

Pulse fall time, TF — Pulse fall time

1e-9 s (default) | nonnegative scalar

Time it takes the output voltage to fall from the **Pulse value, V2** value to the **Initial value, V1** value. The value must be greater than or equal to 0.

Pulse width, PW — Output pulse time width

Inf s (default) | positive scalar

Time width of the output pulse. The value must be greater than 0.

Pulse period, PER — Output pulse period

Inf s (default) | positive scalar

Period of the output pulse. For the default value, `Inf`, the block produces a single pulse with an infinite period.

Extended Capabilities

C/C++ Code Generation

Generate C and C++ code using Simulink® Coder™.

See Also

Simscape Blocks

Environment Parameters | Piecewise Linear Voltage Source | Pulse Current Source

Functions

`subcircuit2ssc`

Topics

“Additional Parameterization Workflows”

“Converting a SPICE Netlist to Simscape Blocks”

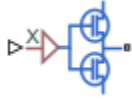
“Parameterize an Exponential Diode from SPICE Netlist”

Introduced in R2008a

Push-Pull Output

Behavioral representation of CMOS complementary output stage

Library: Simscape / Electrical / Integrated Circuits

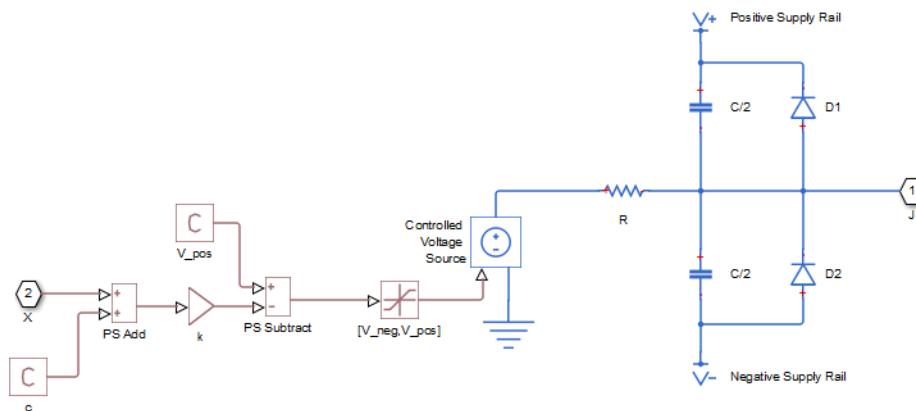


Description

The Push-Pull Output block represents a CMOS complementary output stage behaviorally. To improve simulation speed, the block does not model all the internal individual MOSFET devices that make up the gate. You can use this block to create a representative output current-voltage relationship when defining an integrated circuit model behavior with Physical Signal blocks from the Simscape Foundation library.

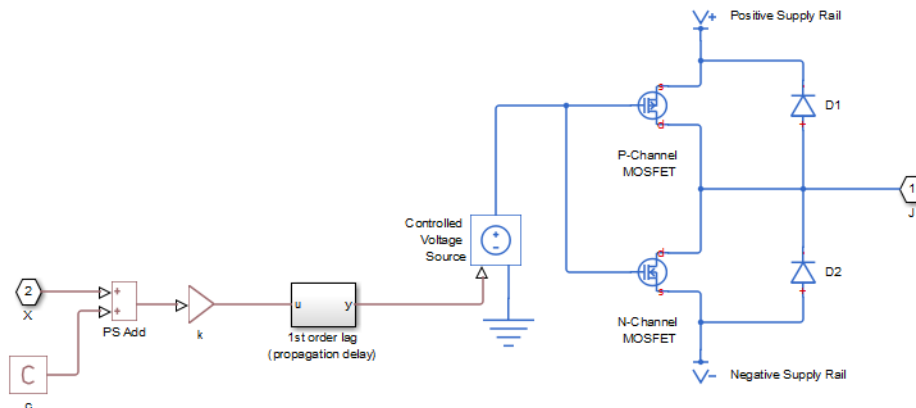
You can choose between are two output current-voltage relationships:

- **Linear** — The block represents the output as a voltage source plus series resistance and parallel capacitance, as shown in the following figure. The value you specify for the **Output resistance** parameter is assigned to the series resistance, and the capacitance values are determined by matching the RC time constant to the **Propagation delay** parameter value.



The input to the Controlled Voltage Source block is limited to be between the supply rails, and it is also inverted by subtraction from the supply voltage. The inversion makes it behave like a complementary output stage, with a high gate-source voltage resulting in a low output.

- **Quadratic** — The output stage is modeled by the two MOSFETs that constitute the complementary pair. The MOSFET parameters are derived from the output resistance values and short-circuit currents that you specify as mask parameters. The gate input demand is lagged to approximate the **Propagation delay** parameter value.



Both **Linear** and **Quadratic** output models add an offset and scale the physical input X so that the gate voltage is given by:

$$V_g = k \cdot (X + c) \quad (1-35)$$

where

- k is the input signal scaling.
- c is the input signal offset.

The offset and scaling can be used, for example, to match logical values for X (that is, range $[0, 1]$) to $[V_-, V_+]$ at the output pin. For example, if $V_+ = 10\text{V}$ and $V_- = 0$, then to match the signal logical values to this voltage range, set $c = -1$ and $k = -10$.

For both **Linear** and **Quadratic** output models, the protection diodes $D1$ and $D2$ act to limit the output voltage range. These diodes are Diode blocks from the Simscape Foundation library, that is, piecewise linear diodes defined by their forward voltage and on resistance. If the voltage across $D1$ rises above the forward voltage, then the diode starts to conduct, and provided that the on resistance is low, it effectively prevents the output rising above V_+ plus the diode forward voltage drop. An equivalent behavior results if the output voltage drops too low.

The output model is very similar to that used for the logic blocks. For a plot of a typical output V - I characteristic when using the **Quadratic** output model, see [Selecting the Output Model for Logic Blocks](#).

Note This block is constructed out of blocks from the Simscape Physical Signals library (such as PS Add, PS Gain, and so on). Currently, the blocks in the Physical Signals library do not support unit propagation and checking. For more information, see “How to Work with Physical Units”.

Assumptions and Limitations

- The block does not accurately model dynamic response.
- The **Quadratic** output model does not model any output capacitance effects. Add output capacitance externally to the block if required.

Ports

Input

X – Input port

physical signal

Physical port associated with the Push-Pull Output input.

Conserving

J – Output port

electrical

Electrical conserving port associated with the block output. The port name is hidden on the block icon, but you can see it in simulation data logs.

Parameters

Input Scaling

Input signal scaling, k – Input signal scaling

1 V (default)

The input physical signal X is mapped to the gate voltage by $V_g = k \cdot (X + c)$, where k is the input signal scaling. Use this parameter in conjunction with the **Input signal offset, c** to map the range of X to the voltage range defined by the power supply.

Input signal offset, c – Input signal offset

0 (default)

The input physical signal X is mapped to the gate voltage by $V_g = k \cdot (X + c)$, where c is the input signal offset. Use this parameter in conjunction with the **Input signal scaling, k** to map the range of X to the voltage range defined by the power supply.

Output Characteristics

Output current-voltage relationship – Output model

Linear (default) | Quadratic

Select the output model:

- **Linear** - the output voltage drops linearly with output current. This is the default option.
- **Quadratic** - the output voltage dependency on output current is defined by the quadratic I-V characteristics of the two output MOSFET devices.

Output resistance – Output resistance

25 Ohm (default)

Defines one over the slope of the output I-V characteristic.

Dependencies

This parameter is visible only when the **Output current-voltage relationship** parameter is set to Linear.

Power rail voltages, [V- V+], used for measurements — Power rail voltages used for measurements

[0, 5] V (default)

Defines the rail voltages for which mask data output resistances and currents are defined.

Dependencies

This parameter is visible only when the **Output current-voltage relationship** parameter is set to Quadratic.

Output resistance values at zero output current and at I_{OH} when V_g=V- — Output resistance values at zero output current and at I_{OH} when V_g=V-

[25, 250] Ohm (default)

A row vector [R_{OH1} R_{OH2}] of two resistance values. The first value R_{OH1} is the gradient of the output voltage-current relationship when the complementary pair output is HIGH (V_g=V-) and there is no output current. The second value R_{OH2} is the gradient of the output voltage-current relationship when the output is HIGH and the output current is I_{OH}.

Dependencies

This parameter is visible only when the **Output current-voltage relationship** parameter is set to Quadratic.

Output current I_{OH} when output is shorted to V- and V_g=V- — Output current I_{OH} when output is shorted to V- and V_g=V-

63 mA (default)

The resulting current when the output is HIGH (V_g=V-), but the load forces the output voltage to the negative supply rail.

Dependencies

This parameter is visible only when the **Output current-voltage relationship** parameter is set to Quadratic.

Output resistance values at zero output current and at I_{OL} when V_g=V+ — Output resistance values at zero output current and at I_{OL} when V_g=V+

[30, 800] Ohm (default)

A row vector [R_{OL1} R_{OL2}] of two resistance values. The first value R_{OL1} is the gradient of the output voltage-current relationship when the complementary pair output is LOW (V_g=V+) and there is no output current. The second value R_{OL2} is the gradient of the output voltage-current relationship when the output is LOW and the output current is I_{OL}.

Dependencies

This parameter is visible only when the **Output current-voltage relationship** parameter is set to Quadratic.

Output current I_{OL} when output is shorted to V+ and V_g=V+ — Output current I_{OL} when output is shorted to V+ and V_g=V+

-45 mA (default)

The resulting current when the output is LOW (V_g=V+), but the load forces the output voltage to the positive supply voltage.

Dependencies

This parameter is visible only when the **Output current-voltage relationship** parameter is set to Quadratic.

Propagation delay — Propagation delay

25 ns (default)

Time it takes for the output to reach 63.2% of its final value following a step change in the input, X. For Quadratic output, it is implemented by the lagged gate input demand.

Protection diode on resistance — Protection diode on resistance

5 Ohm (default)

The gradient of the voltage-current relationship for the protection diodes when forward biased.

Protection diode forward voltage — Protection diode forward voltage

0.6 V (default)

The voltage above which the protection diode is turned on.

Supply Voltage**Negative power rail voltage, V- — Negative power rail voltage**

0 V (default)

Negative power supply voltage applied to the N-channel MOSFET source pin.

Positive power rail voltage, V+ — Positive power rail voltage

5 V (default)

Positive power supply voltage applied to the P-channel MOSFET source pin.

Initial Conditions**Initial output voltage — Initial output voltage**

0 V (default)

This parameter is used to set the voltage on the output capacitors so that the output voltage is initialized to the parameter's value.

Dependencies

This parameter is visible only when the **Output current-voltage relationship** parameter is set to Linear on the **Output Characteristics** tab.

Initial input signal — Initial input signal

0 V (default)

This parameter is used to initialize the propagation delay first-order lag such that there is no transient at time zero.

Dependencies

This parameter is visible only when the **Output current-voltage relationship** parameter is set to Quadratic on the **Output Characteristics** tab.

Extended Capabilities

C/C++ Code Generation

Generate C and C++ code using Simulink® Coder™.

See Also

Introduced in R2011b

PVCCS

Polynomial voltage-controlled current source

Library: Simscape / Electrical / Additional Components / SPICE Sources



Description

The PVCCS (Polynomial Voltage-Controlled Current Source) block represents a current source whose output current value is a polynomial function of the voltage across the input ports. The following equations describe the current through the source as a function of time:

- If you specify an n -element vector of polynomial coefficients for the **Polynomial coefficients** parameter:

$$I_{out} = p(0) + p(1) * V_{in} + \dots + p(n - 1) * V_{in}^{n-1} + p(n) * V_{in}^n$$

- If you specify a scalar coefficient for the **Polynomial coefficients** parameter:

$$I_{out} = p * V_{in}$$

where:

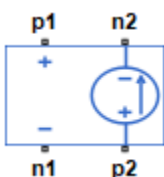
- V_{in} is the voltage across the input ports.
- p is the **Polynomial coefficients** parameter value.

The block uses a small conductance internally to prevent numerical simulation issues. The conductance connects the output ports of the device and has a conductance $GMIN$:

- By default, $GMIN$ matches the **GMIN** parameter of the Environment Parameters block, whose default value is $1e-12$.
- To change $GMIN$, add an Environment Parameters to your model and set the **GMIN** parameter to the desired value.

Ports

Refer to the figure for port locations.



Conserving

p1 – Positive voltage of the controlling input

electrical

Electrical conserving port associated with the PVCCS positive voltage of the controlling input.

n1 – Negative voltage of the controlling input

electrical

Electrical conserving port associated with the PVCCS negative voltage of the controlling input.

p2 – Positive output voltage

electrical

Electrical conserving port associated with the PVCCS positive output voltage.

n2 – Negative output voltage

electrical

Electrical conserving port associated with the PVCCS negative output voltage.

Parameters

Polynomial coefficients – Polynomial coefficients

[0, 1] (default)

The polynomial coefficients that relate the input voltage to the output current, as described in the preceding section.

Include parallel conductance, GMIN – Whether to include parallel conductance

Yes (default) | No

Specify if the current source includes a parallel conductance. The value of the parallel conductance, *GMIN*, depends on whether your model contains an Environment Parameters block.

This table shows the possible values of the parallel conductance, *GMIN*:

Values of parallel conductance, GMIN

Include parallel conductance, GMIN		
Yes		No
Model contains Environment Parameters block	Model does not contain Environment Parameters block	Parallel conductance, <i>GMIN</i> , is not included and it does not affect the current source.
<i>GMIN</i> is equal to the value of the GMIN parameter in the Environment Parameters block.	<i>GMIN</i> = 1e-12 Ohm	

Extended Capabilities

C/C++ Code Generation

Generate C and C++ code using Simulink® Coder™.

See Also

Simscape Blocks

Environment Parameters | PCCCS | PCCCS2 | PCCVS | PCCVS2 | PVCCS2 | PVCVS | PVCVS2

Functions

subcircuit2ssc

Topics

“Additional Parameterization Workflows”

“Converting a SPICE Netlist to Simscape Blocks”

“Parameterize an Exponential Diode from SPICE Netlist”

Introduced in R2008a

PVCCS2

Polynomial voltage-controlled current source with two controlling inputs

Library: Simscape / Electrical / Additional Components / SPICE Sources



Description

The PVCCS2 (Two-Input Polynomial Voltage-Controlled Current Source) block represents a current source whose output current value is a polynomial function of the voltages across the pairs of controlling input ports. This equation describes the current through the source as a function of time:

$$I_{out} = p_1 + p_2 * V_{in1} + p_3 * V_{in2} + p_4 * V_{in1}^2 + p_5 V_{in1} * V_{in2} + p_6 * V_{in2}^2 + \dots$$

where:

- V_{in1} is the voltage across the first pair of input ports.
- V_{in2} is the voltage across the second pair of input ports.
- p is the **Polynomial coefficients** parameter value.

The block uses a small conductance internally to prevent numerical simulation issues. The conductance connects the output ports of the device and has a conductance $GMIN$:

- By default, $GMIN$ matches the **GMIN** parameter of the Environment Parameters block, whose default value is $1e-12$.
- To change $GMIN$, add an Environment Parameters block to your model and set the **GMIN** parameter to the desired value.

Ports

Conserving

1+ — Positive voltage of the first controlling input

electrical

Electrical conserving port associated with the PVCCS2 positive voltage of the first controlling input.

1- — Negative voltage of the first controlling input

electrical

Electrical conserving port associated with the PVCCS2 negative voltage of the first controlling input.

2+ — Positive voltage of the second controlling input

electrical

Electrical conserving port associated with the PVCCS2 positive voltage of the second controlling input.

2- – Negative voltage of the second controlling input

electrical

Electrical conserving port associated with the PVCCS2 negative voltage of the second controlling input.

+ – Positive output voltage

electrical

Electrical conserving port associated with the PVCCS2 positive output voltage.

- – Negative output voltage

electrical

Electrical conserving port associated with the PVCCS2 negative output voltage.

Parameters

Polynomial coefficients – Polynomial coefficients

[0 1 1] (default)

The polynomial coefficients that relate the input voltage to the output current, as described in the preceding section.

Include parallel conductance, GMIN – Whether to include parallel conductance

Yes (default) | No

Specify if the current source includes a parallel conductance. The value of the parallel conductance, *GMIN*, depends on whether your model contains an Environment Parameters block.

This table shows the possible values of the parallel conductance, *GMIN*:

Values of parallel conductance, GMIN

Include parallel conductance, GMIN		
Yes		No
Model contains Environment Parameters block	Model does not contain Environment Parameters block	Parallel conductance, <i>GMIN</i> , is not included and it does not affect the current source.
<i>GMIN</i> is equal to the value of the GMIN parameter in the Environment Parameters block.	<i>GMIN</i> = 1e-12 Ohm	

Extended Capabilities

C/C++ Code Generation

Generate C and C++ code using Simulink® Coder™.

See Also

Simscape Blocks

Environment Parameters | PCCCS | PCCCS2 | PCCVS | PCCVS2 | PVCCS | PVCVS | PVCVS2

Functions

subcircuit2ssc

Topics

"Additional Parameterization Workflows"

"Converting a SPICE Netlist to Simscape Blocks"

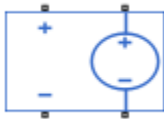
"Parameterize an Exponential Diode from SPICE Netlist"

Introduced in R2009a

PVCVS

Polynomial voltage-controlled voltage source

Library: Simscape / Electrical / Additional Components / SPICE Sources



Description

The PVCVS (Polynomial Voltage-Controlled Voltage Source) block represents a voltage source whose output voltage value is a polynomial function of the voltage across the input ports. The following equations describe the voltage across the source as a function of time:

- If you specify an n -element vector of polynomial coefficients for the **Polynomial coefficients** parameter:

$$V_{out} = p(0) + p(1) * V_{in} + \dots + p(n - 1) * V_{in}^{n-1} + p(n) * V_{in}^n$$

- If you specify a scalar coefficient for the **Polynomial coefficients** parameter:

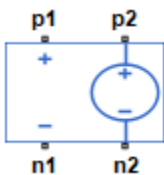
$$V_{out} = p * V_{in}$$

where:

- V_{in} is the voltage across the input ports.
- p is the **Polynomial coefficients** parameter value.

Ports

Refer to the figure for port locations.



Conserving

p1 — Positive voltage of the controlling input

electrical

Electrical conserving port associated with the PVCVS positive voltage of the controlling input.

n1 — Negative voltage of the controlling input

electrical

Electrical conserving port associated with the PVCVS negative voltage of the controlling input.

p2 — Positive output voltage

electrical

Electrical conserving port associated with the PVCVS positive output voltage.

n2 — Negative output voltage

electrical

Electrical conserving port associated with the PVCVS negative output voltage.

Parameters

Polynomial coefficients — Polynomial coefficients

[0, 1] (default)

The polynomial coefficients that relate the input voltage to the output voltage, as described in the preceding section.

Extended Capabilities

C/C++ Code Generation

Generate C and C++ code using Simulink® Coder™.

See Also

Simscape Blocks

Environment Parameters | PCCCS | PCCCS2 | PCCVS | PCCVS2 | PVCCS | PVCCS2 | PVCVS2

Functions

subcircuit2ssc

Topics

“Additional Parameterization Workflows”

“Converting a SPICE Netlist to Simscape Blocks”

“Parameterize an Exponential Diode from SPICE Netlist”

Introduced in R2008a

PVCVS2

Polynomial voltage-controlled voltage source with two controlling inputs

Library: Simscape / Electrical / Additional Components / SPICE Sources



Description

The PVCVS2 (Two-Input Polynomial Voltage-Controlled Voltage Source) block represents a voltage source whose output voltage value is a polynomial function of the voltages across the pairs of controlling input ports. This equation describes the voltage across the source as a function of time:

$$V_{out} = p_1 + p_2 * V_{in1} + p_3 * V_{in2} + p_4 * V_{in1}^2 + p_5 V_{in1} * V_{in2} + p_6 * V_{in2}^2 + \dots$$

where:

- V_{in1} is the voltage across the first pair of input ports.
- V_{in2} is the voltage across the second pair of input ports.
- p is the **Polynomial coefficients** parameter value.

Ports

Conserving

1+ — Positive input voltage of the first controlling input

electrical

Electrical conserving port associated with the PVCVS2 positive input voltage of the first controlling input.

1- — Negative input voltage of the first controlling input

electrical

Electrical conserving port associated with the PVCVS2 negative input voltage of the first controlling input.

2+ — Positive input voltage of the second controlling input

electrical

Electrical conserving port associated with the PVCVS2 positive input voltage of the second controlling input.

2- — Negative input voltage of the second controlling input

electrical

Electrical conserving port associated with the PVCVS2 negative input voltage of the second controlling input.

+ – Positive output voltage

electrical

Electrical conserving port associated with the PVCVS2 positive output voltage.

- – Negative output voltage

electrical

Electrical conserving port associated with the PVCVS2 negative output voltage.

Parameters

Polynomial coefficients – Polynomial coefficients

[0 1 1] (default)

The polynomial coefficients that relate the input voltage to the output voltage, as described in the preceding section.

Extended Capabilities

C/C++ Code Generation

Generate C and C++ code using Simulink® Coder™.

See Also

Simscape Blocks

Environment Parameters | PCCCS | PCCCS2 | PCCVS | PCCVS2 | PVCCS | PVCCS2 | PVCVS

Functions

subcircuit2ssc

Topics

“Additional Parameterization Workflows”

“Converting a SPICE Netlist to Simscape Blocks”

“Parameterize an Exponential Diode from SPICE Netlist”

Introduced in R2009a

PWM Generator

Generate pulse width modulated signal or waveform

Library: Simscape / Electrical / Control / Pulse Width Modulation



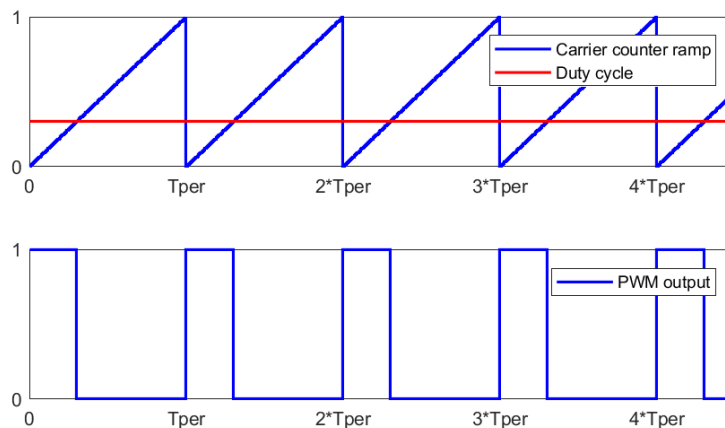
Description

The PWM Generator block implements a PWM generator. The pulse width modulation technique controls power transfer from one electrical component to another by quickly switching between full power transfer and no power transfer.

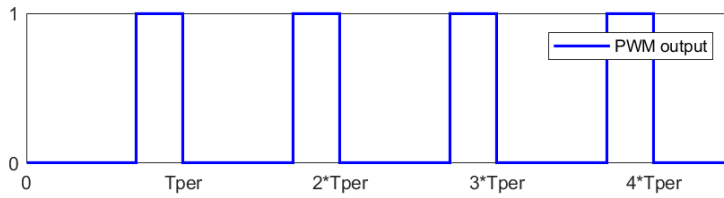
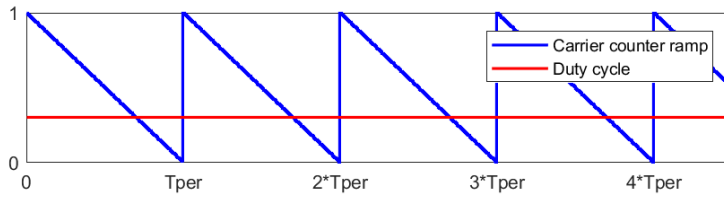
Working Principle

The PWM generator block outputs either 1 when the duty cycle is greater than the carrier counter value, or 0 otherwise. You can set the period of each cycle by specifying the timer period T_{per} . You can change the initial output, or phase, of the PWM output by specifying one of three types of carrier counters:

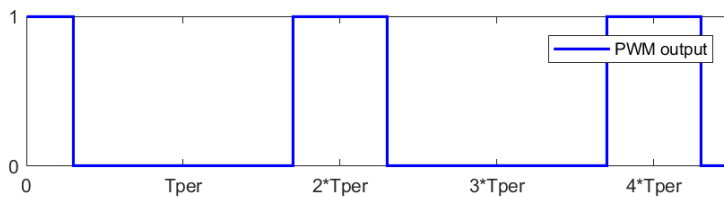
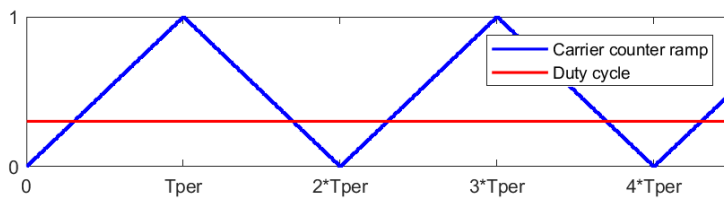
- Up counter — The PWM output signal initializes at the start of the on cycle. This graphic shows the carrier counter signal and the corresponding PWM output.



- Down counter — The PWM output signal initializes at the start of the off cycle. This graphic shows the carrier counter signal and the corresponding PWM output.



- Up-down counter — The PWM output signal initializes halfway through the on cycle. This graphic shows the carrier counter signal and the corresponding PWM output.



Ports

Input

DC — Duty cycle

scalar

Duty cycle in the range $[0, 1]$.

Data Types: `single` | `double`

Output

PWM — PWM signal

scalar

Pulse width modulation signal.

Data Types: single | double

Parameters

Carrier counter — Carrier counter strategy

Up (default) | Down | Up-Down

Use the carrier counter strategy to change the initial behavior of the PWM output:

- Up counter — PWM output begins at the start of the on state.
- Down counter — PWM output begins at the start of the off state.
- Up-down counter — PWM output begins in the middle of the on state.

Timer period (s) — PWM period

0.001 (default) | positive number

PWM timer period.

If you set **Carrier counter** to Up counter or Down counter, the **Timer period (s)** parameter is specified as $\frac{1}{f_{sw}}$, where f_{sw} is the switching frequency. If you set **Carrier counter** to Up-down

counter, the **Timer period (s)** parameter is specified as $\frac{1}{2f_{sw}}$.

Sample time — Block sample time

5e-5 (default) | positive number

Sample time for the block. For continuous-time simulation, set to zero. For discrete-time simulation, to ensure adequate resolution in the generated signal, specify a positive value that is less than or equal to $T_{per}/10$, where T_{per} is the **Timer period (s)**.

Extended Capabilities

C/C++ Code Generation

Generate C and C++ code using Simulink® Coder™.

See Also

Blocks

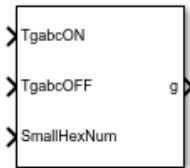
PWM Generator | PWM Generator (Three-phase, Three-level) | PWM Generator (Three-phase, Two-level) | Thyristor 6-Pulse Generator

Introduced in R2017b

PWM Gate Signal Generator (Three-phase, Three-level)

Generate twelve switch-controlling pulses for three-phase, three-level gating switching devices

Library: Simscape / Electrical / Control / Pulse Width Modulation



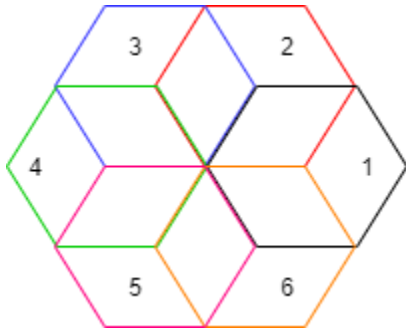
Description

The PWM Gate Signal Generator (Three-phase, Three-level) block controls switching behavior for a three-phase, three-level power converter. The block uses the gating times provided as inputs to generate twelve switch-controlling pulses. You can obtain the gating time information using the PWM Timing and Waveform Generator (Three-phase, Three-level) block.

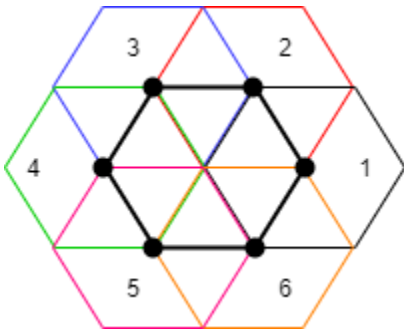
Simplified Space-Vector PWM Method

To determine the switching sequence and the duration time of the voltage vector, the PWM Gate Signal Generator (Three-phase, Three-level) block uses a simplified space-vector pulse width modulation (SVPWM) method on the space-vector diagram of a three-level inverter [2].

This figure shows the six small hexagons that comprise the space-vector diagram of a three-level inverter:



Each of these six small hexagons represents the space-vector diagrams of a two-level inverter, with the diagrams centered on the six vertices of an inner small hexagon, as shown in this figure:



To simplify into the space-vector diagram of a two-level inverter, you must select one of the small hexagons by specifying a value at the **SmallHexNum** port. The block then transforms the three-level space-vector plane into a two-level space-vector plane by subtracting the original reference voltage vector by the amount of the center voltage vector of the hexagon you choose.

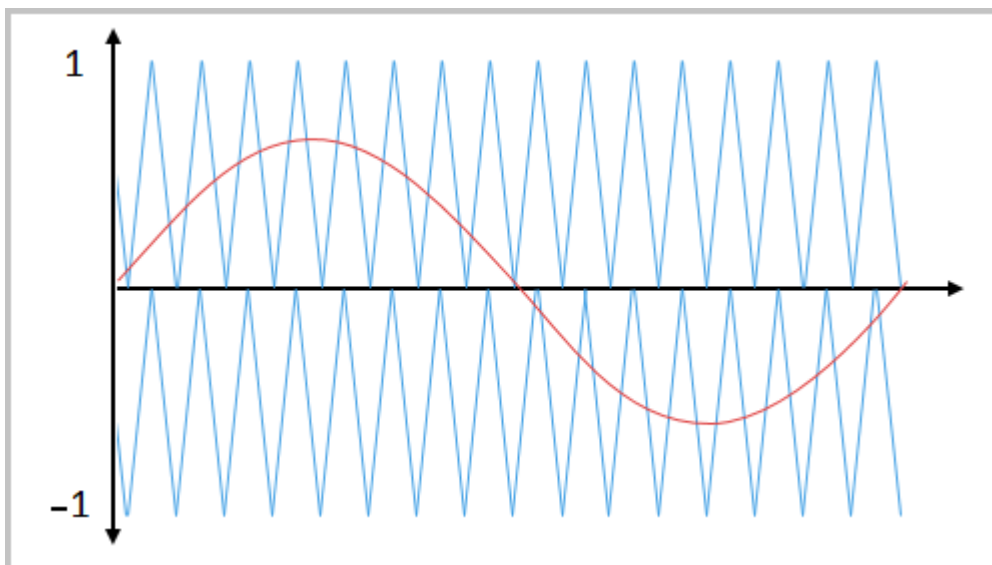
Sampling Mode

This block allows you to choose natural, symmetric, or asymmetric sampling of the modulation wave.

The PWM Gate Signal Generator (Three-phase, Three-level) block does not perform carrier-based pulse width modulation. Instead, the block uses the gating times to generate both the switch-controlling pulses and the modulation waveforms that the block outputs.

Carrier-based PWM is, however, useful for showing how the sampling mode that you select relates to the switch-on and switch-off behavior of the pulses that the block generates. A generator that uses a three-level, carrier-based PWM method:

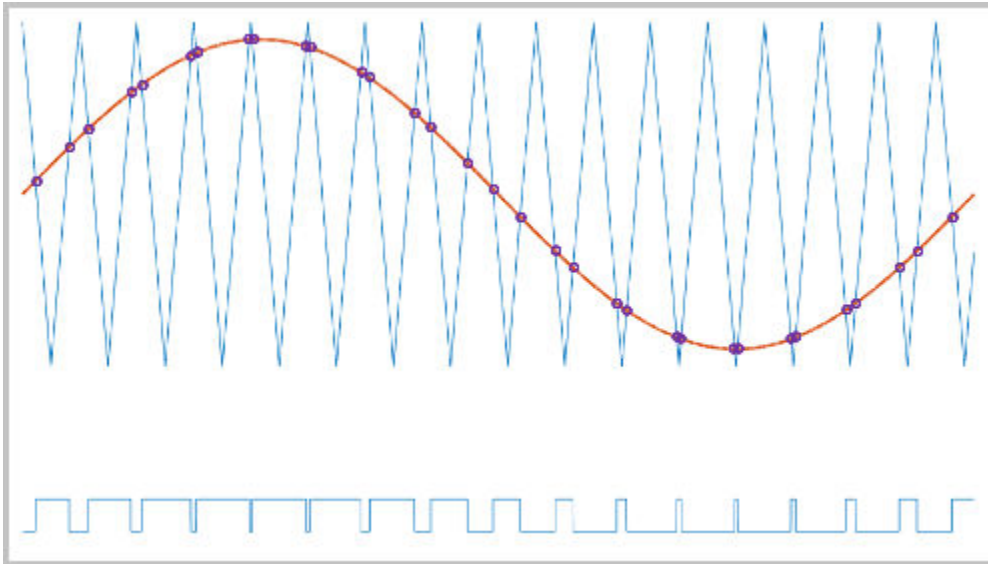
- 1 Samples a reference wave
- 2 Compares the sample to two parallel triangle carrier waves, separated by one level



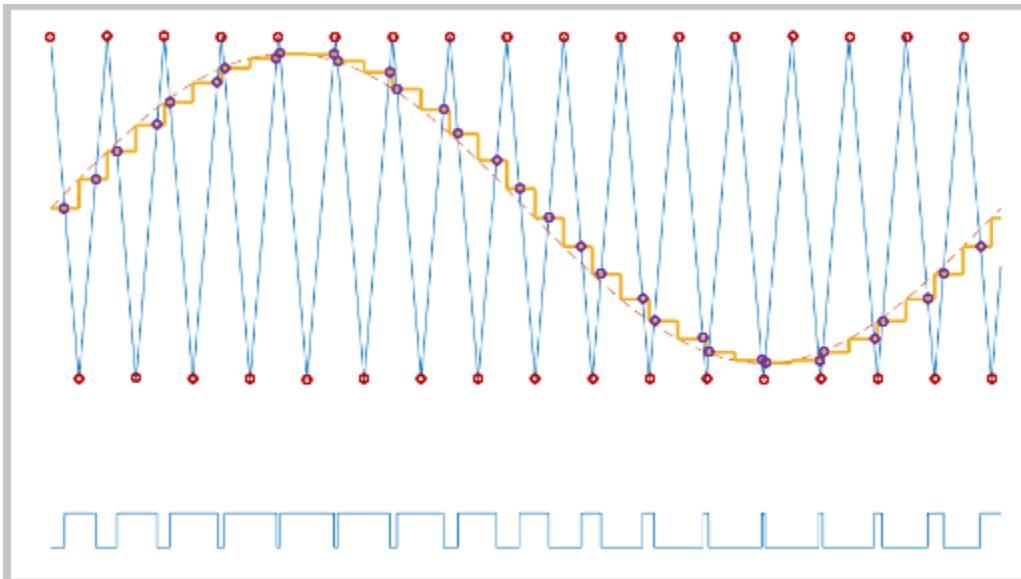
- 3 Generates a switch-on pulse if a sample is higher than the carrier signal or a switch-off pulse if a sample is lower than the carrier wave

To determine switch-on and switch-off pulse behavior, a three-level carrier-based PWM generator uses these methods to sample each of the triangle waves:

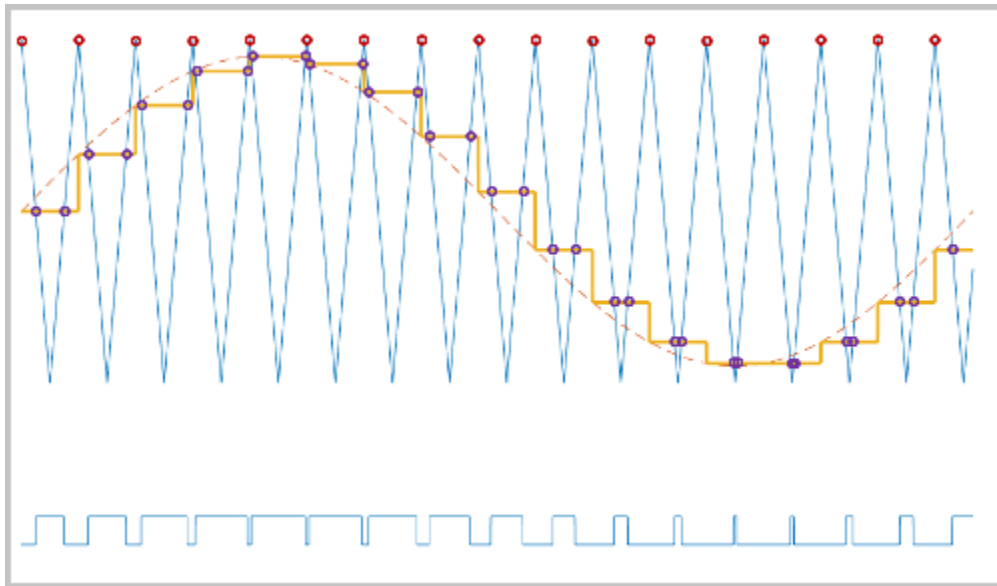
- Natural — The sampling and comparison occur at the intersection points of the modulation wave and the carrier wave.



- Asymmetric — Sampling occurs at the upper and lower boundaries of the carrier wave. The comparison occurs at the intersection that follows the sampling.



- Symmetric — Sampling occurs only at the upper boundary of the carrier wave. The comparison occurs at the intersection that follows the sampling.



Ports

Input

TgabcON — Switch-on gating time

vector

Switch-on gating time, specified as a vector of three elements, with one element for each phase.

TgabcOFF — Switch-off gating time

vector

Switch-off gating time, specified as a vector of three elements, with one element for each phase.

SmallHexNum — Small hexagon number

scalar

Number of one of the small hexagons that composes the space-vector diagrams of conventional two-level inverters, specified as a scalar between 1 and 6. For more information, see the “Simplified Space-Vector PWM Method” on page 1-1279 section.

Output

g — Gate control

vector

Twelve pulse waveforms that determine switching behavior in the attached power converter, returned as a vector.

Parameters

Sampling mode — Wave-sampling method

Natural (default) | Asymmetric | Symmetric

Wave-sampling method. The sampling mode determines whether the block samples the modulation waveform when the waves intersect or when the carrier wave is at one or both of its boundary conditions.

Switching frequency (Hz) – Switching rate

1e3 (default) | positive scalar

Rate at which the switches in the power converter switch.

Sample time (s) – Block sample time

5e-5 (default) | positive scalar

Time interval between successive block executions. To ensure adequate resolution in the generated signal, set this value to be less than or equal to $1/(50 * F_{sw})$, where F_{sw} is the **Switching frequency (Hz)**.

References

- [1] Chung, D. W., J. S. Kim, and S. K. Sul. "Unified Voltage Modulation Technique for Real Time Three-Phase Power Conversion." *IEEE Transactions on Industry Applications*, Vol. 34, No. 2, 1998, pp. 374-380.
- [2] Seo, J. H., C. H. Choi, and D. S. Hyun. "A new simplified space-vector PWM method for three-level inverters." *IEEE Transactions on Power Electronics*, Vol. 16, No. 4, 2001, pp. 545-550.

Extended Capabilities**C/C++ Code Generation**

Generate C and C++ code using Simulink® Coder™.

See Also

PWM Generator (Three-phase, Three-level) | PWM Gate Signal Generator (Three-phase, Two-level) | PWM Timing and Waveform Generator (Three-phase, Three-level) | Three-Level Converter (Three-Phase)

Introduced in R2020b

PWM Gate Signal Generator (Three-phase, Two-level)

Generate six switch-controlling pulses for three-phase, two-level gating switching devices

Library: Simscape / Electrical / Control / Pulse Width Modulation



Description

The PWM Gate Signal Generator (Three-phase, Two-level) block controls switching behavior for a three-phase, two-level power converter. The block uses the gating times provided as inputs to generate six switch-controlling pulses. You can obtain the gating time information using the PWM Timing and Waveform Generator (Three-phase, Two-level) block.

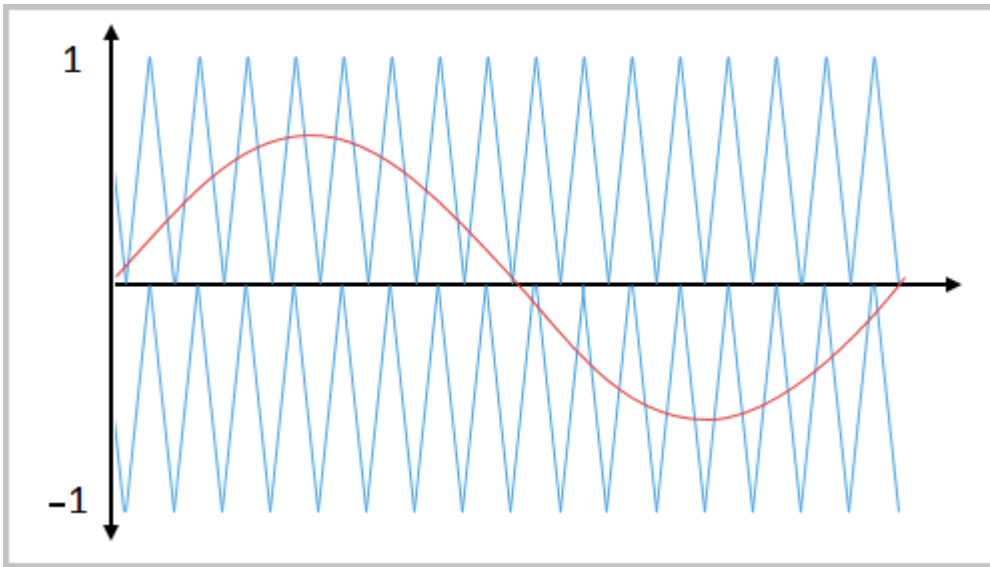
Sampling Mode

This block allows you to choose natural, symmetric, or asymmetric sampling of the modulation wave.

The PWM Gate Signal Generator (Three-phase, Two-level) block does not perform carrier-based pulse width modulation (PWM). Instead, the block uses the gating times to generate both the switch-controlling pulses and the modulation waveforms that the block outputs.

Carrier-based PWM is, however, useful for showing how the sampling mode that you select relates to the switch-on and switch-off behavior of the pulses that the block generates. A generator that uses a three-level, carrier-based PWM method:

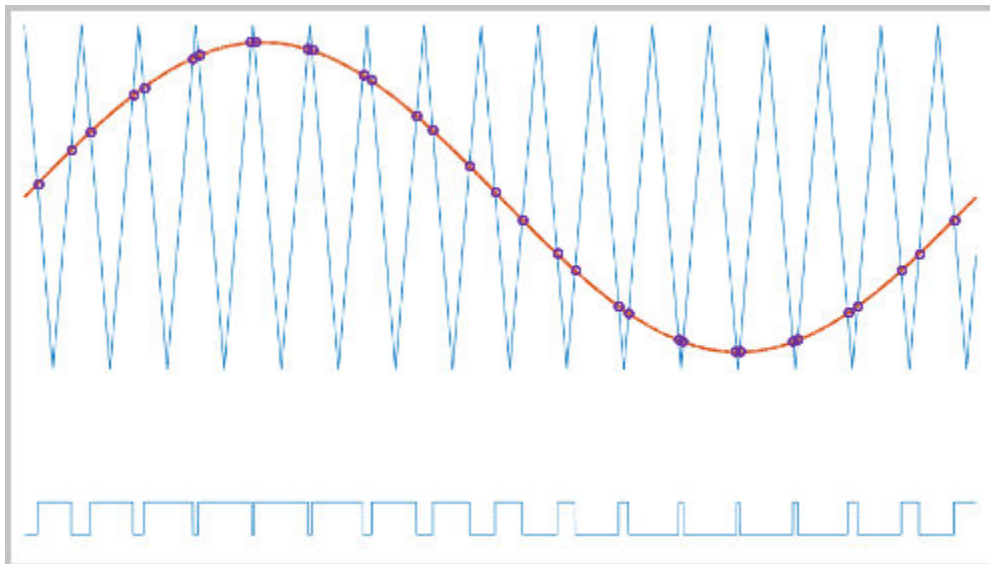
- 1 Samples a reference wave
- 2 Compares the sample to two parallel triangle carrier waves, separated by one level



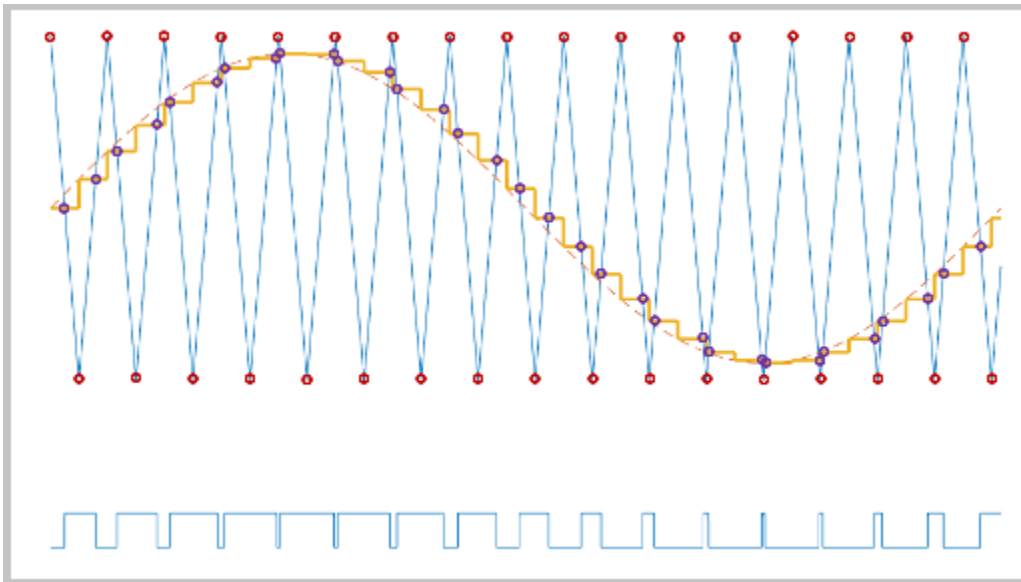
- 3 Generates a switch-on pulse if a sample is higher than the carrier signal or a switch-off pulse if a sample is lower than the carrier wave

To determine switch-on and switch-off pulse behavior, a three-level carrier-based PWM generator uses these methods to sample each of the triangle waves:

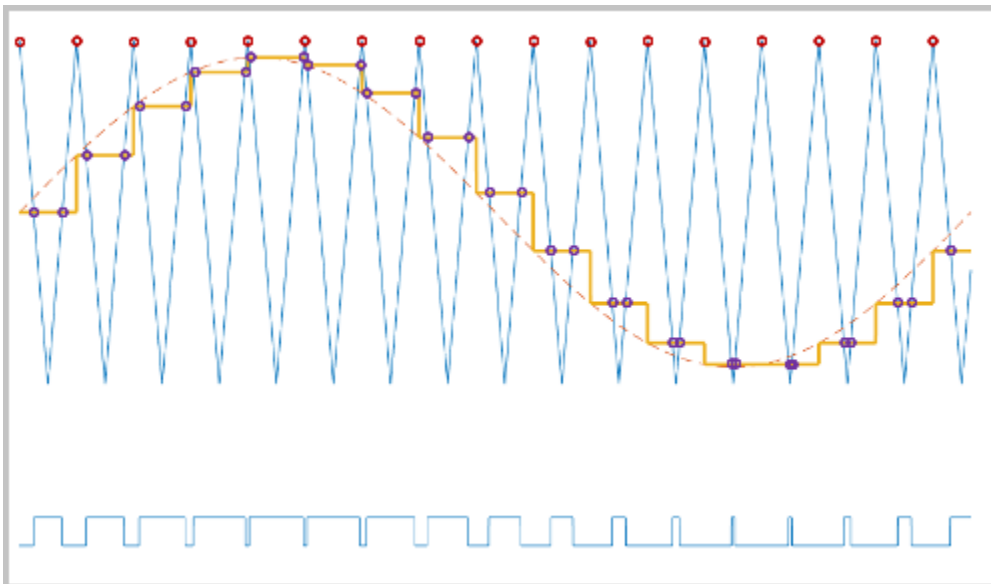
- Natural — The sampling and comparison occur at the intersection points of the modulation wave and the carrier wave.



- Asymmetric — Sampling occurs at the upper and lower boundaries of the carrier wave. The comparison occurs at the intersection that follows the sampling.



- Symmetric — Sampling occurs only at the upper boundary of the carrier wave. The comparison occurs at the intersection that follows the sampling.



Ports

Input

Tgabc0N — Switch-on gating time

vector

Switch-on gating time, specified as a vector of three elements, with one element for each phase.

TgabcOFF — Switch-off gating time

vector

Switch-off gating time, specified as a vector of three elements, with one element for each phase.

Output

g – Gate control

vector

Six pulse waveforms that determine switching behavior in the attached power converter, returned as a vector.

Parameters

Sampling mode – Wave-sampling method

Natural (default) | Asymmetric | Symmetric

Wave-sampling method. The sampling mode determines whether the block samples the modulation waveform when the waves intersect or when the carrier wave is at one or both of its boundary conditions.

Switching frequency (Hz) – Switching rate

1e3 (default) | positive scalar

Rate at which the switches in the power converter switch.

Sample time (s) – Block sample time

5e-5 (default) | positive scalar

Time interval between successive block executions. To ensure adequate resolution in the generated signal, set this value to be less than or equal to $1/(50 * F_{sw})$, where F_{sw} is the **Switching frequency (Hz)**.

References

- [1] Chung, D. W., J. S. Kim, and S. K. Sul. "Unified Voltage Modulation Technique for Real Time Three-Phase Power Conversion." *IEEE Transactions on Industry Applications*, Vol. 34, No. 2, 1998, pp. 374-380.
- [2] Seo, J. H., C. H. Choi, and D. S. Hyun. "A new simplified space-vector PWM method for three-level inverters." *IEEE Transactions on Power Electronics*, Vol. 16, No. 4, 2001, pp. 545-550.

Extended Capabilities

C/C++ Code Generation

Generate C and C++ code using Simulink® Coder™.

See Also

Converter (Three-Phase) | PWM Gate Signal Generator (Three-phase, Three-level) | PWM Generator (Three-phase, Two-level) | PWM Timing and Waveform Generator (Three-phase, Two-level)

Introduced in R2020b

PWM Generator (Multilevel)

Generate pulse width modulated signal or waveform for modular multilevel converters

Library: Simscape / Electrical / Control / Pulse Width Modulation



Description

The PWM Generator (Multilevel) block implements a pulse width modulation (PWM) generator for modular multilevel converters. The PWM technique controls power transfer from one electrical component to another by quickly switching between full power transfer and no power transfer.

The block calculates gate pulses for a modular, multilevel converter based on the number of power submodules and two converter topologies: half-bridge and full-bridge. You can specify the number of power submodules and the converter topology using the **Number of power submodules** and **Converter topology** parameters, respectively.

Ports

Input

ref — Reference signal

vector

Reference signal to calculate the PWM for each power submodule of the multilevel converter, specified as a vector.

Output

PWM — PWM signal

vector

Pulse width modulation signal for each submodule, returned as a vector.

If you set the **Converter topology** parameter to `Half-bridge`, the output is a vector specified as:

$$G = \{G1_SM1, G2_SM1, G1_SM2, G2_SM2, \dots, G1_SMN, G2_SMN\}.$$

If you set the **Converter topology** parameter to `Full-bridge`, the output is a vector specified as:

$$G = \{G1_SM1, G2_SM1, G3_SM1, G4_SM1, G1_SM2, G2_SM2, G3_SM2, G4_SM2, \dots, G1_SMN, G2_SMN, G3_SMN, G4_SMN\},$$

where G_i_SMj is the reference signal controlling the i -th gate of the j -th power submodule. i ranges from 1 to 2 in a half-bridge topology and from 1 to 4 in a full-bridge topology. j ranges from 1 to N , where N is the number of power submodules specified in the **Number of power submodules** parameter.

Data Types: `single` | `double`

Parameters

Converter topology — Modular multilevel converter topology

Half-bridge (default) | Full-bridge

Topology of the modular multilevel converter.

Number of power submodules — Number of modular multilevel submodules

1 (default) | positive scalar

Number of power submodules of the modular multilevel converter.

Timer period (s) — PWM period

0.001 (default) | positive scalar

PWM timer period. The **Timer period (s)** parameter is specified as $\frac{1}{2f_{sw}}$, where f_{sw} is the switching frequency.

Sample time — Block sample time

5e-5 (default) | positive scalar

Sample time for the block. For continuous-time simulation, set to zero. For discrete-time simulation, to ensure adequate resolution in the generated signal, specify a positive value that is less than or equal to $10^{-4} * T_{per}$, where T_{per} is the **Timer period (s)**.

Extended Capabilities

C/C++ Code Generation

Generate C and C++ code using Simulink® Coder™.

See Also

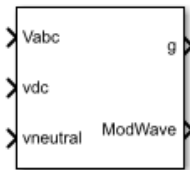
PWM Generator (Three-phase, Three-level) | PWM Generator | PWM Generator (Three-phase, Two-level) | PWM Generator (Vienna Rectifier)

Introduced in R2020b

PWM Generator (Three-phase, Three-level)

Generate three-phase, three-level pulse width modulated signal or waveform for gating switching devices

Library: Simscape / Electrical / Control / Pulse Width Modulation



Description

The PWM Generator (Three-phase, Three-level) block controls switching behavior for a three-phase, three-level power converter. The block:

- 1 Calculates on- and off-gating times based on the block inputs:
 - Three sinusoidal reference voltages
 - A DC-link voltage
 - A DC-link neutral point balance control signal
- 2 Uses the gating times to generate 12 switch-controlling pulses.
- 3 Uses the gating times to generate modulation waveforms.

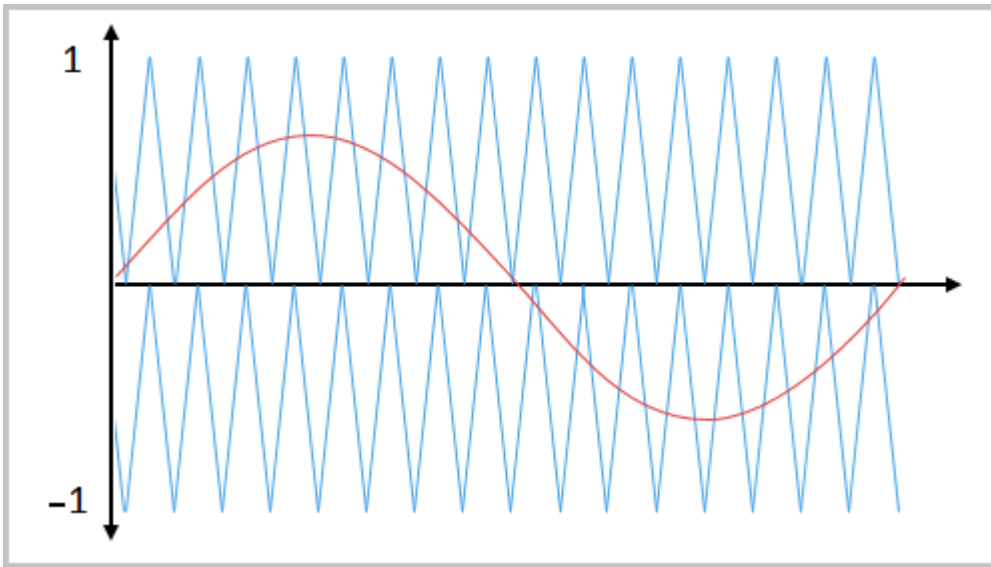
Sampling Mode

This block allows you to choose natural, symmetric, or asymmetric sampling of the modulation wave.

The PWM Generator (Three-phase, Two-level) block does not perform carrier-based pulse width modulation (PWM). Instead, the block uses input signals to calculate gating times and then uses the gating times to generate both the switch-controlling pulses and the modulation waveforms that it outputs.

Carrier-based PWM is, however, useful for showing how the sampling mode that you select relates to the switch-on and switch-off behavior of the pulses that the block generates. A generator that uses a three-level, carrier-based PWM method:

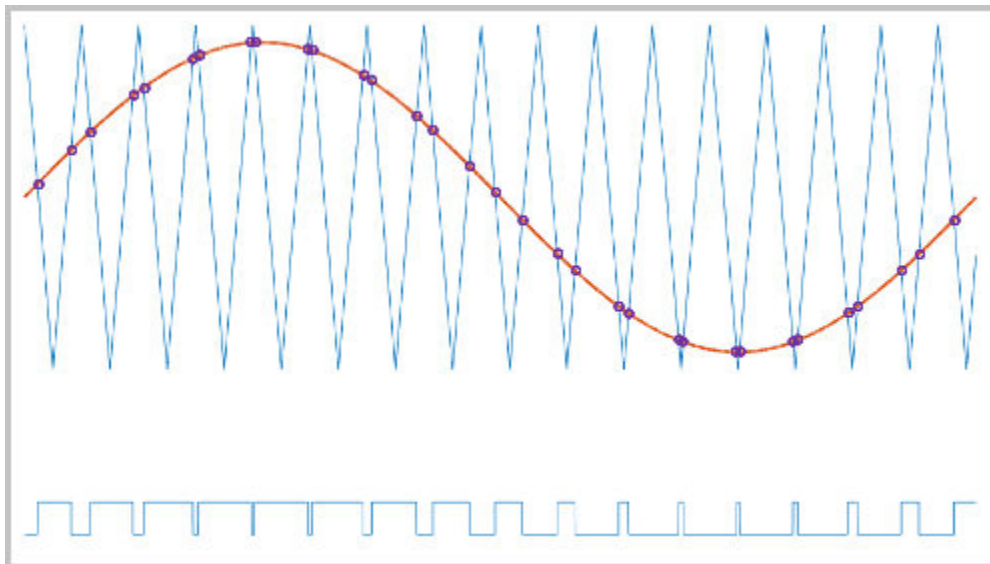
- 1 Samples a reference wave.
- 2 Compares the sample to two parallel triangle carrier waves, separated by one level.



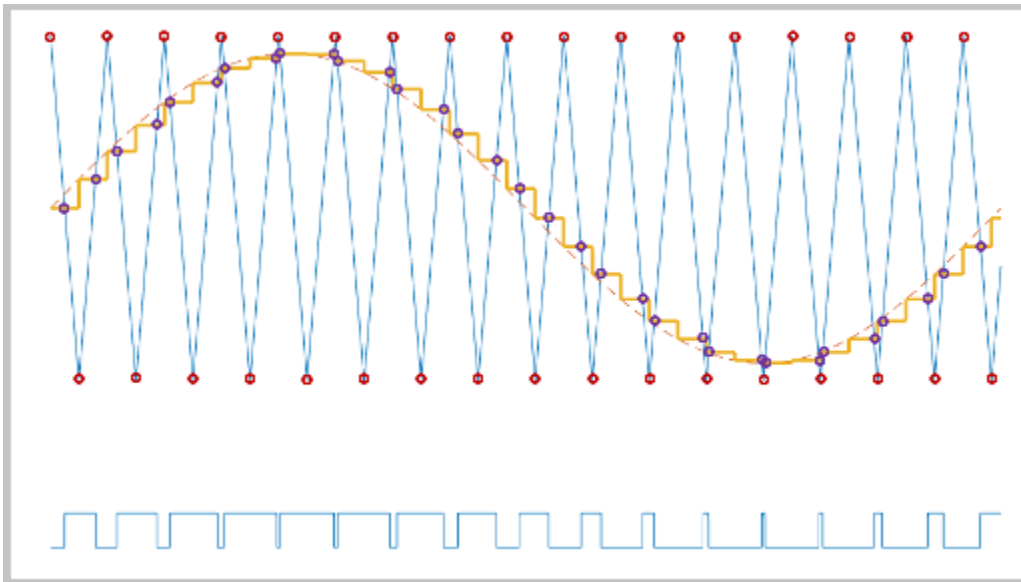
- 3 Generates a switch-on pulse if a sample is higher than the carrier signal or a switch-off pulse if a sample is lower than the carrier wave.

To determine switch-on and switch-off pulse behavior, a three-level carrier-based PWM generator uses these methods to sample each of the triangle waves:

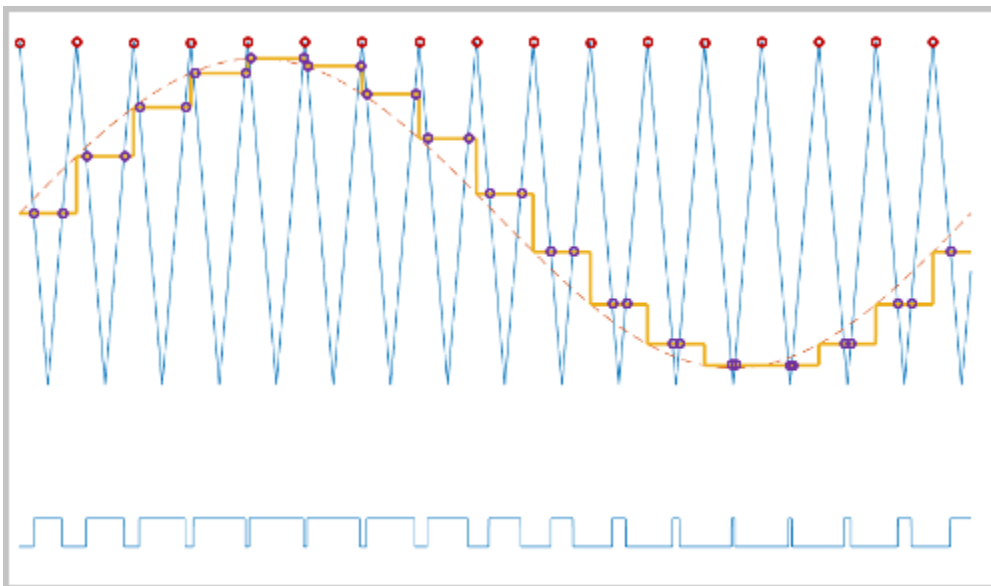
- Natural — The sampling and comparison occur at the intersection points of the modulation wave and the carrier wave.



- Asymmetric — Sampling occurs at the upper and lower boundaries of the carrier wave. The comparison occurs at the intersection that follows the sampling.



- Symmetric — Sampling occurs only at the upper boundary of the carrier wave. The comparison occurs at the intersection that follows the sampling.



Overmodulation

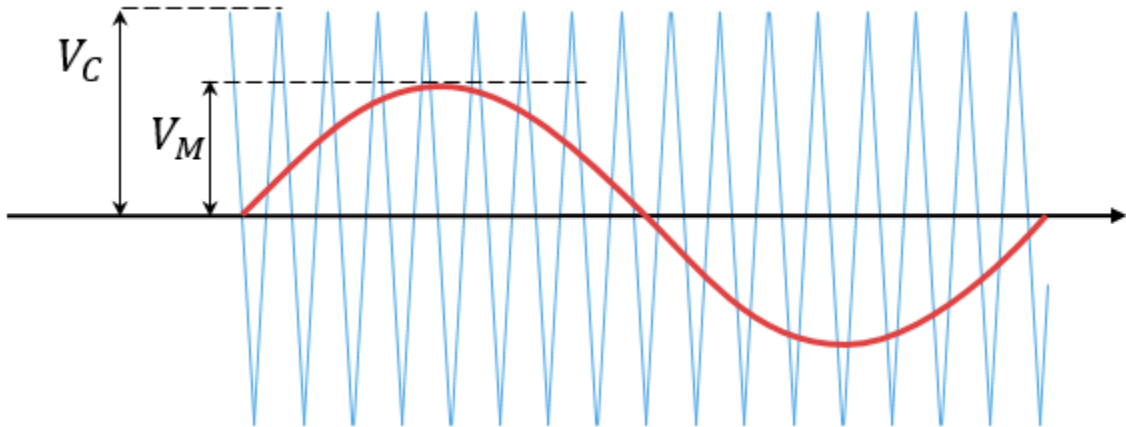
The modulation index, which measures the ability of the power converter to output a given voltage, is defined as

$$m = \frac{V_M}{V_C},$$

where

- m is the modulation index.

- V_m is the peak value of the modulation wave.
- V_c is the peak value of the triangle carrier wave.



For three-phase SPWM,

$$V_{peak} = m \frac{v_{dc}}{2},$$

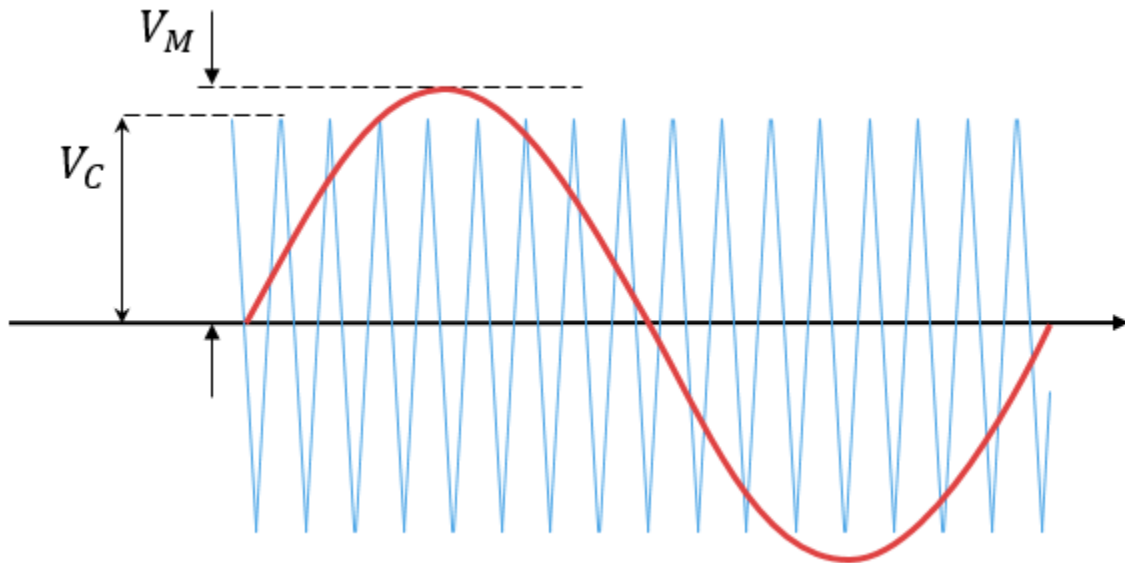
where

- V_{peak} is the peak value of the fundamental component of the phase-to-neutral voltage.
- v_{dc} is the DC-link voltage.

For three-phase space-vector PWM (SVM),

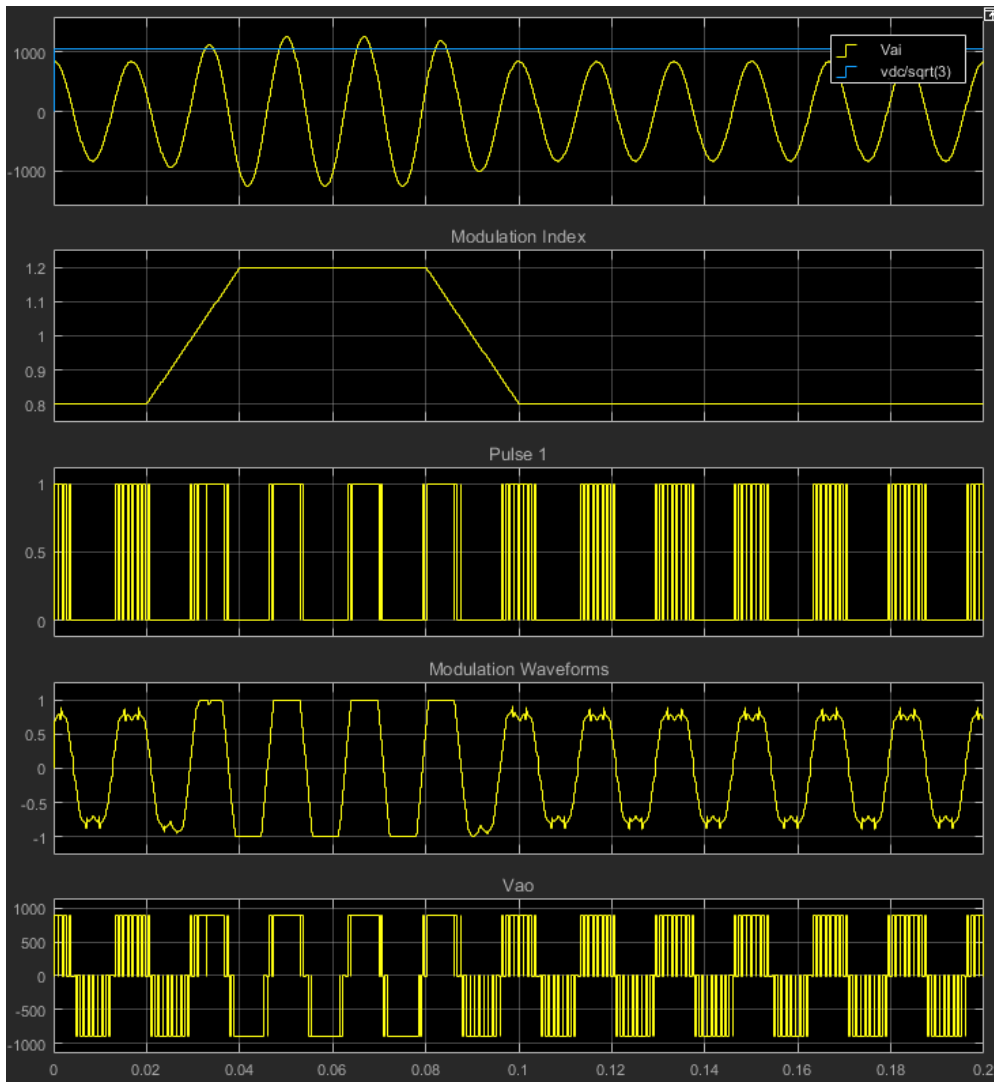
$$V_{peak} = m \frac{v_{dc}}{\sqrt{3}}.$$

For normal steady-state operation, $0 < m \leq 1$. If a transient, such as a load increase, causes the amplitude of V_m to exceed the amplitude of V_c , overmodulation ($m > 1$) occurs



If overmodulation occurs, the output voltage of the power converter clamps to the positive or negative DC rail.

In the Three-Phase Three-Level PWM Generator example, the **Three-Level Controller** subsystem contains a 1800-V DC-link input, and a modulation index, m , of 0.8. For SVM, the maximal input voltage is $1800/\sqrt{3}$ V, that is 1039.23 V. To demonstrate overmodulation, a transient is added at the beginning of the simulation. The transient forces the amplitudes of the reference voltages to exceed the amplitude of $1/\sqrt{3}$ of the DC-link voltage. To highlight overmodulation, the scope includes simulation results for only one of the 12 output pulses and only the a -phase of the reference voltages, modulation waveforms, and output voltages.



The modulation index is greater than one between 0.03-0.09 seconds. During overmodulation:

- The pulse remains in the on or off position.
- The output voltage clamps to the positive or negative DC rail.

Input/Output Ports

Input

Vabc — Three-phase sinusoidal reference signal

vector

Specify the three sinusoidal voltages, one per phase, that you want the attached converter to output.

vdc — DC-link voltage signal

scalar

Specify a positive real number for the DC-link voltage of the converter.

vneutral — DC-link neutral point balance control

scalar

This signal is the output from a feedback-control loop that balances the DC supply. The value of the signal must be a real number between -1 and $+1$.

Output**g — Gate control**

vector

12 pulse waveforms that determine switching behavior in the attached power converter.

ModWave — Modulation wave

vector

If you are generating code for a platform that has hardware with PWM capability, you can deploy the modulation wave to the hardware. Otherwise, this data is for reference only.

Parameters**Continuous PWM — Continuous pulse width modulation method**

SPWM: sinusoidal PWM (default) | SVM: space vector modulation

Specify the waveform technique.

Sampling mode — Wave-sampling method

Natural (default) | Asymmetric | Symmetric

The sampling mode determines whether the block samples the modulation waveform when the waves intersect or when the carrier wave is at one or both of its boundary conditions.

Switching frequency (Hz) — Switching rate

1e3 (default) | positive number

Specify the rate at which you want the switches in the power converter to switch.

Sample time (s) — Block sample time

5e-5 (default) | positive number

Specify the time interval between successive block executions (output calculations). To ensure adequate resolution in the generated signal, set this value to be less than or equal to $1/(50 \cdot F_{sw})$, where F_{sw} is the **Switching frequency (Hz)**.

References

- [1] Chung, D. W., J. S. Kim, and S. K. Sul. "Unified Voltage Modulation Technique for Real Time Three-Phase Power Conversion." *IEEE Transactions on Industry Applications*, Vol. 34, No. 2, 1998, pp. 374-380.
- [2] Seo, J. H., C. H. Choi, and D. S. Hyun. "A new simplified space-vector PWM method for three-level inverters." *IEEE Transactions on Power Electronics*, Vol. 16, No. 4, 2001, pp. 545-550.

Extended Capabilities

C/C++ Code Generation

Generate C and C++ code using Simulink® Coder™.

See Also

Simscape Blocks

Three-Level Converter (Three-Phase)

Blocks

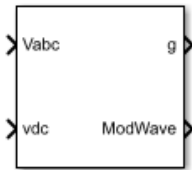
PWM Generator | PWM Generator (Three-phase, Two-level) | Thyristor 6-Pulse Generator

Introduced in R2016b

PWM Generator (Three-phase, Two-level)

Generate three-phase, two-level pulse width modulated waveform

Library: Simscape / Electrical / Control / Pulse Width Modulation



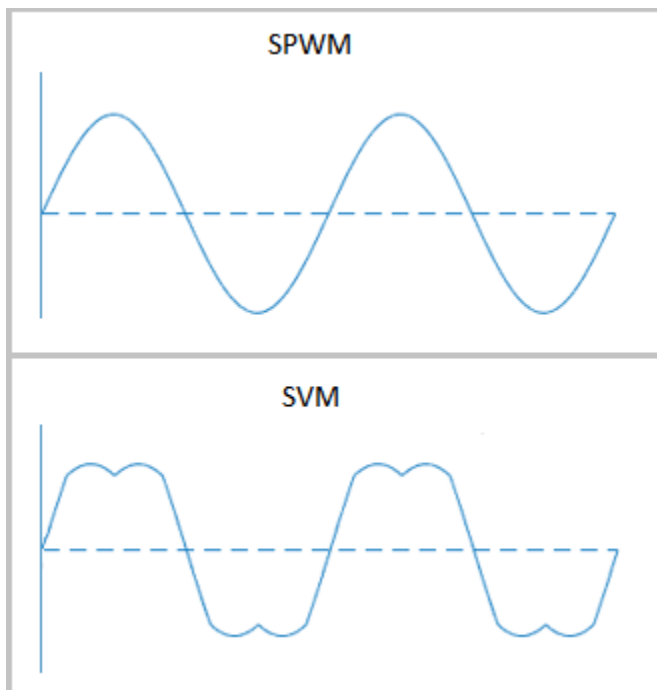
Description

The PWM Generator (Three-phase, Two-level) block controls switching behavior for a three-phase, two-level power converter. The block:

- 1 Calculates on- and off-gating times based on the block inputs:
 - Three sinusoidal reference voltages, one per phase
 - A DC-link voltage
- 2 Uses the gating times to generate six switch-controlling pulses.
- 3 Uses the gating times to generate modulation waveforms.

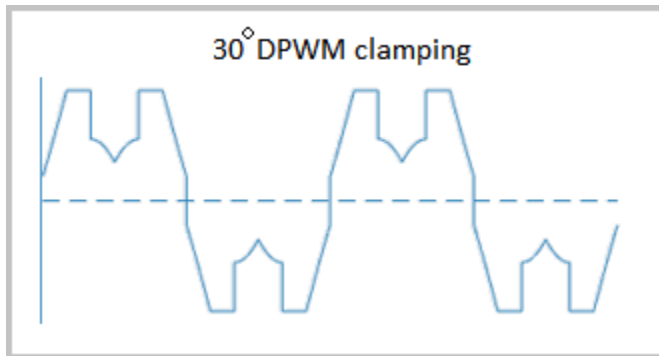
Continuous and Discontinuous PWM

The block provides modes for both continuous and discontinuous pulse width modulation (PWM). The figure shows the general difference between continuous sinusoidal PWM (SPWM) and continuous space vector modulation (SVM) waveforms.

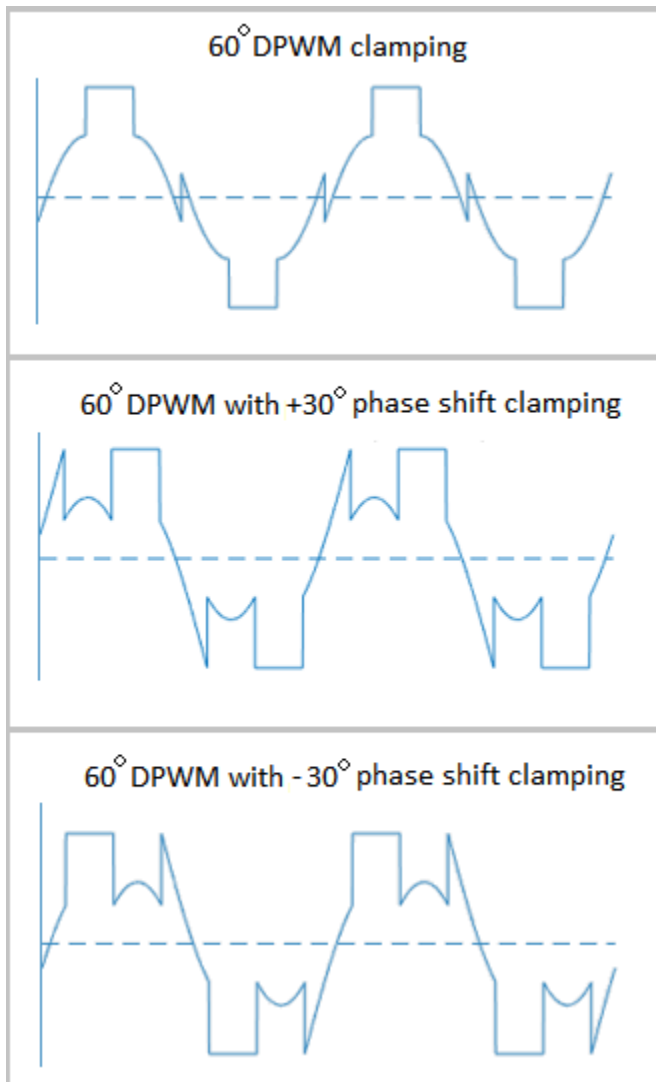


For discontinuous PWM (DPWM), the block clamps the modulation wave to the positive or negative DC rail for a total of 120 degrees during each fundamental period. During the clamping intervals, modulation discontinues.

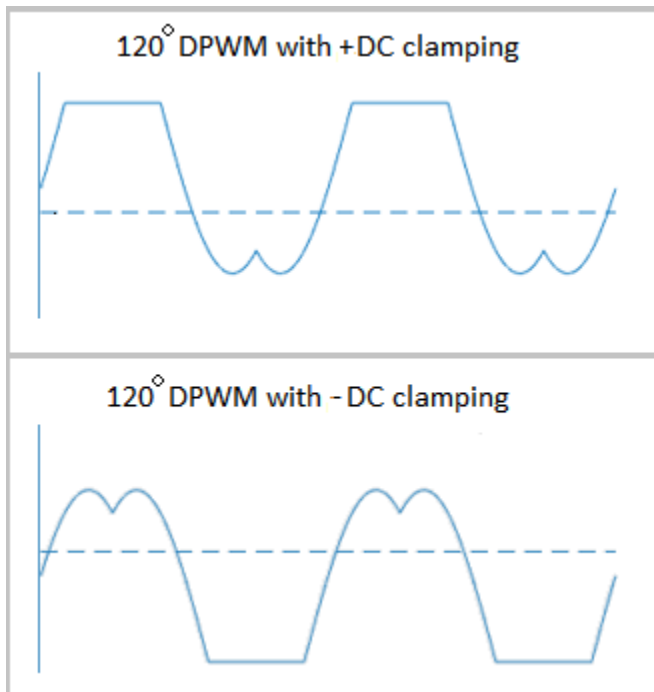
A waveform with 30-degree DPWM has four 30-degree intervals per fundamental period.



Selecting a positive or negative 30-degree phase shift affects the clamping intervals for 60-degree DPWM.



The figure shows the waveforms for positive and negative DC clamping for 120-degree DPWM.



Sampling Mode

This block allows you to choose natural, symmetric, or asymmetric sampling of the modulation wave.

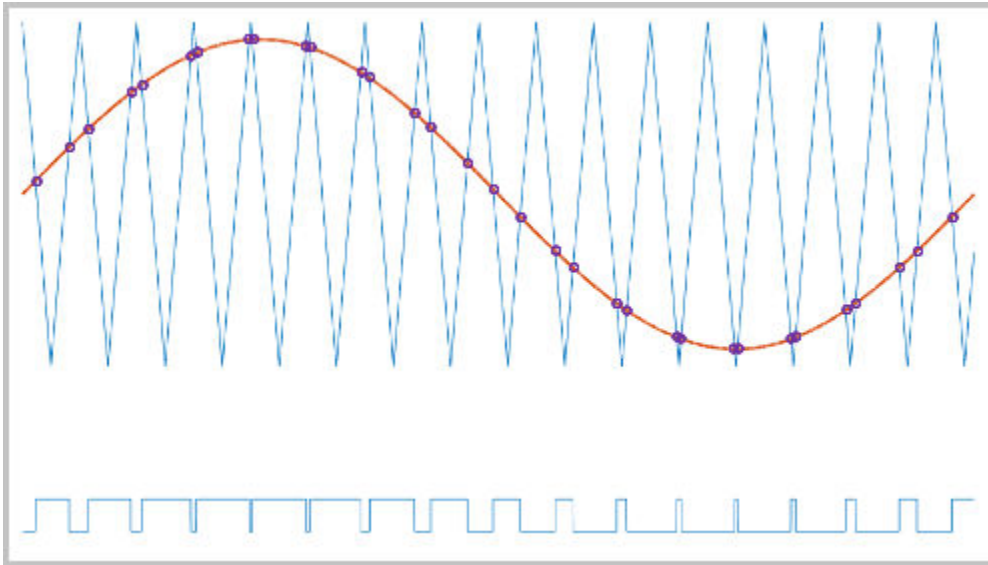
The PWM Generator (Three-phase, Two-level) block does not perform carrier-based PWM. Instead, the block uses input signals to calculate gating times and then uses the gating times to generate both the switch-controlling pulses and the modulation waveforms that it outputs.

Carrier-based PWM is, however, useful for showing how the sampling mode that you select relates to the switch-on and switch-off behavior of the pulses that the block generates. A generator that uses a two-level, carrier-based PWM method:

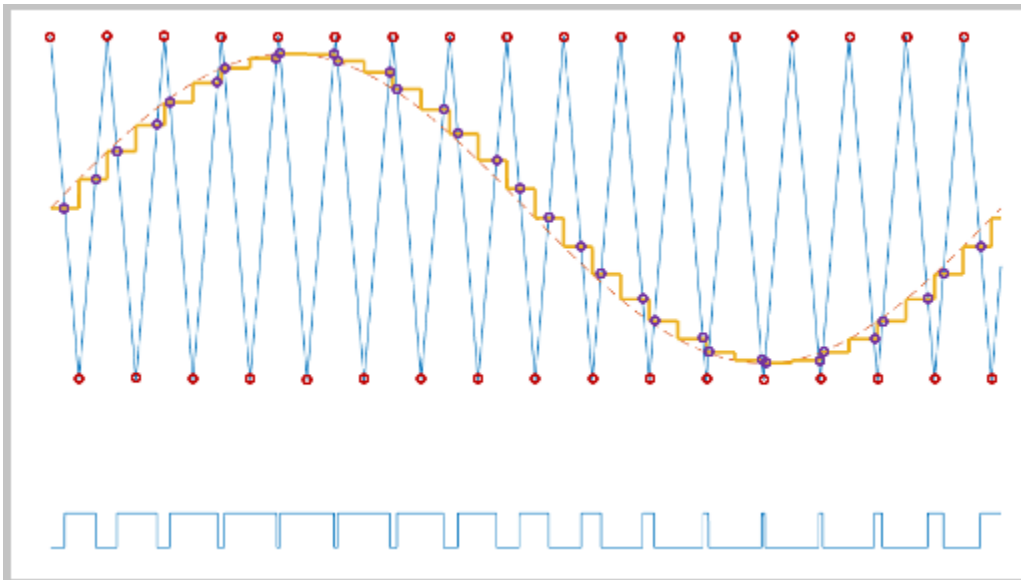
- 1 Samples a reference wave.
- 2 Compares the sample to a triangle carrier wave.
- 3 Generates a switch-on pulse if a sample is higher than the carrier signal or a switch-off pulse if a sample is lower than the carrier wave.

To determine switch-on and switch-off pulse behavior, a two-level carrier-based PWM generator uses these methods to sample the triangle wave:

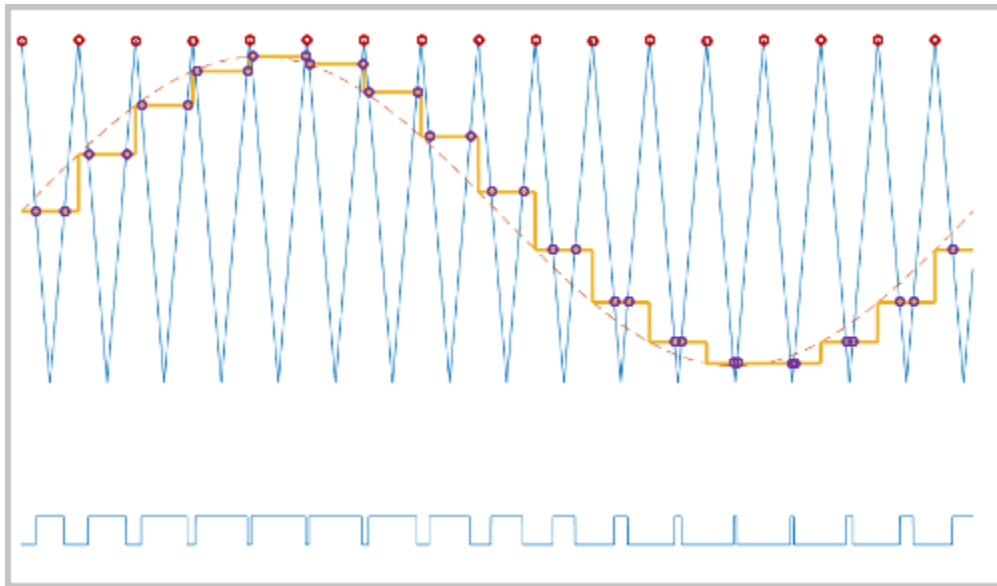
- Natural — The sampling and comparison occur at the intersection points of the modulation wave and the carrier wave.



- Asymmetric — Sampling occurs at the upper and lower boundaries of the carrier wave. The comparison occurs at the intersection that follows the sampling.



- Symmetric — Sampling occurs at only the upper boundary of the carrier wave. The comparison occurs at the intersection that follows the sampling.



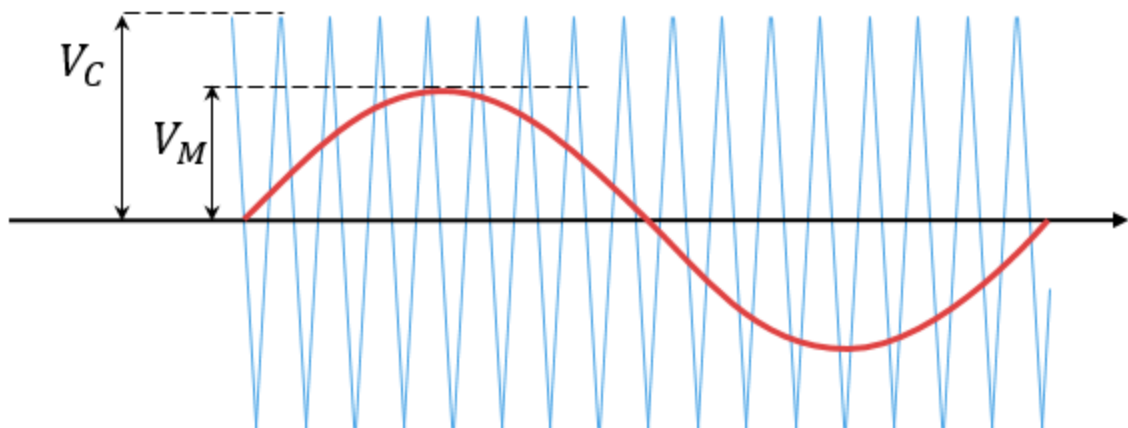
Overmodulation

The modulation index, which measures the ability of the power converter to output a given voltage, is defined as

$$m = \frac{V_M}{V_C},$$

where

- m is the modulation index.
- V_m is the peak value of the modulation wave.
- V_c is the peak value of the triangle carrier wave.



For three-phase SPWM,

$$V_{peak} = m \frac{v_{dc}}{2},$$

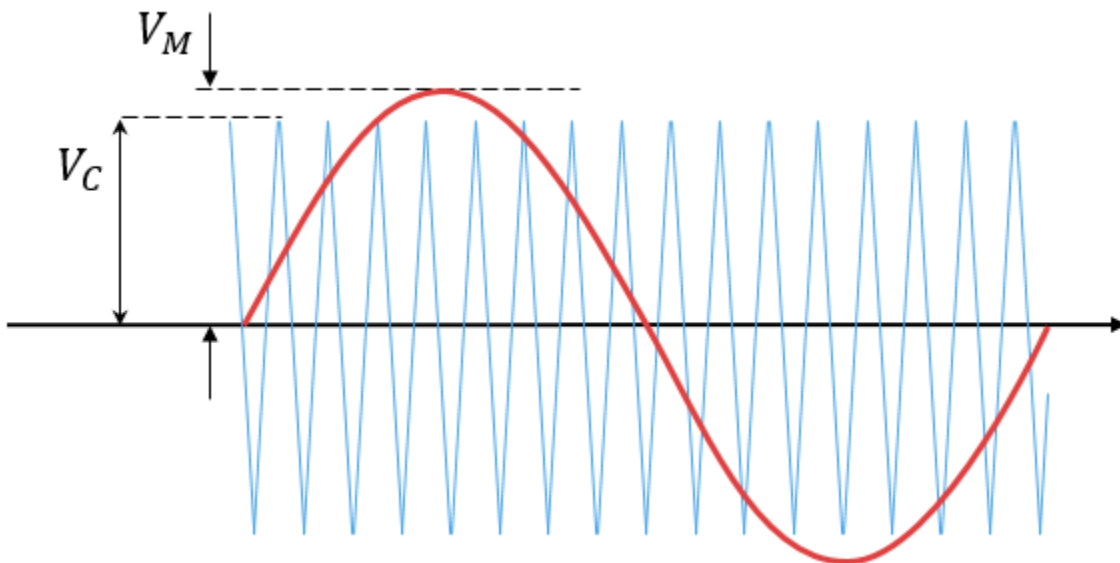
where

- V_{peak} is the peak value of the fundamental component of the phase-to-neutral voltage.
- v_{dc} is the DC-link voltage.

For three-phase space-vector PWM (SVM) and DPWM,

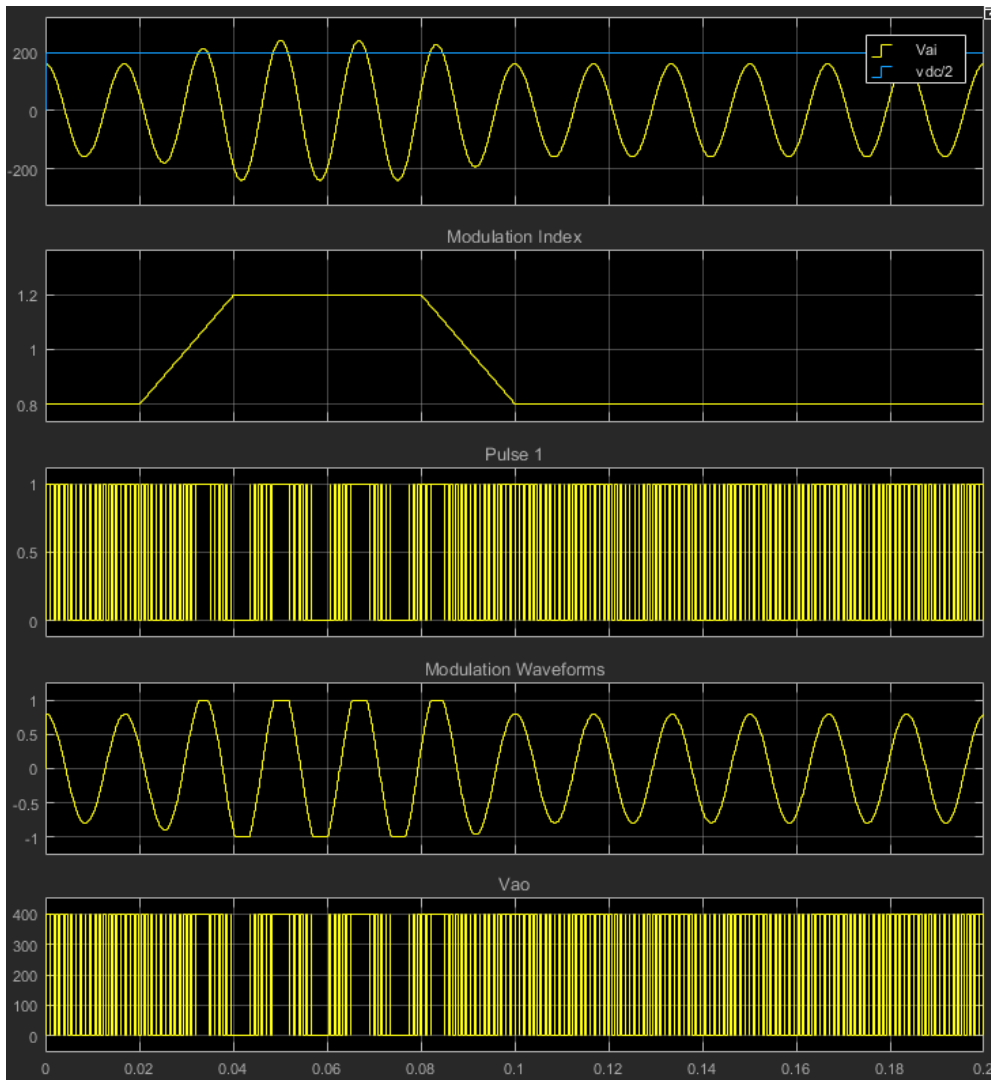
$$V_{peak} = m \frac{v_{dc}}{\sqrt{3}}.$$

For normal steady-state operation, $0 < m \leq 1$. If a transient, such as a load increase, causes the amplitude of V_m to exceed the amplitude of V_c , overmodulation ($m > 1$) occurs.



If overmodulation occurs, the output voltage of the power converter clamps to the positive or negative DC rail.

In the Three-Phase Two-Level PWM Generator example, the **Two-Level Controller** subsystem contains a 400-V DC-link input, and a modulation index, m , of 0.8. For SPWM, the maximal input voltage is $400/2$, that is, 200 V. To demonstrate overmodulation, a transient is added at the beginning of the simulation. The transient forces the amplitudes of the reference voltages to exceed the amplitude of $1/2$ of the DC-link voltage. To highlight overmodulation, the scope includes simulation results for only one of the six output pulses and only the a -phase of the reference voltages, modulation waveforms, and output voltages.



The modulation index is greater than one between 0.03-0.09 seconds. During overmodulation:

- The pulse remains in the on or off position.
- The output voltage, V_{ao} , clamps to the positive or negative DC rail.

Input/Output Ports

Input

vabc — Three-phase sinusoidal reference signal

vector

Specify the three sinusoidal voltages, one per phase, that you want the attached converter to output.

vdc — DC-link voltage signal

scalar

Specify a positive real number for the DC-link voltage of the converter.

Output

g – Gate control

vector

Six pulse waveforms that determine switching behavior in the attached power converter.

ModWave – Modulation wave

vector

If you are generating code for a platform that has hardware with PWM capability, you can deploy the modulation wave to the hardware. Otherwise, this data is only for your reference.

Parameters

PWM mode – Pulse width modulation method

Continuous PWM (CPWM) (default) | Discontinuous PWM (DPWM)

Discontinuous PWM clamps the waveform to the DC rail for a total of 120 degrees in each fundamental period. Continuous PWM does not.

Continuous PWM – Continuous pulse width modulation method

SPWM: sinusoidal PWM (default) | SVM: space vector modulation

Dependencies

The **Continuous PWM** parameter is only available when you set the **PWM mode** parameter to Continuous PWM (CPWM).

Sampling mode – Wave-sampling method

Natural (default) | Asymmetric | Symmetric

The sampling mode determines whether the block samples the modulation waveform when the waves intersect or when the carrier wave is at one or both of its boundary conditions.

Switching frequency (Hz) – Switching rate

1e3 (default) | positive number

Specify the rate at which you want the switches in the power converter to switch.

Sample time (s) – Block sample time

5e-5 (default) | positive number

Specify the time interval between successive block executions (output calculations). To ensure adequate resolution in the generated signal, set this value to be less than or equal to $1/(50 \cdot F_{sw})$, where F_{sw} is the **Switching frequency (Hz)**.

Discontinuous PWM (DPWM) – Clamping method

60 DPWM: 60 degree discontinuous PWM (default)

Specify the method for distributing the 120 degrees per period during which the block clamps the modulation wave to the DC rail. Other options are:

- 60 DPWM (+30 degree shift): +30 degree shift from 60 DPWM

- 60 DPWM (-30 degree shift): -30 degree shift from 60 DPWM
- 30 DPWM: 30 degree discontinuous PWM
- 120 DPWM: positive dc component
- 120 DPWM: negative dc component

When the wave is clamped, modulation discontinues.

Dependencies

The **Discontinuous PWM** parameter is only available when you set the **PWM mode** parameter to Discontinuous PWM (DPWM).

References

- [1] Chung, D. W., J. S. Kim, and S. K. Sul. "Unified Voltage Modulation Technique for Real Time Three-Phase Power Conversion." *IEEE Transactions on Industry Applications*, Vol. 34, No. 2, 1998, pp. 374-380.
- [2] Hava, A. M., R. J. Kerkman, and T. A. Lipo. "Simple Analytical and Graphical Methods for Carrier-Based PWM-VSI Drives." *IEEE Transactions on Power Electronics*, Vol. 14, No. 1, 1999, pp. 49-61.

Extended Capabilities

C/C++ Code Generation

Generate C and C++ code using Simulink® Coder™.

See Also

Simscape Blocks

Converter (Three-Phase)

Blocks

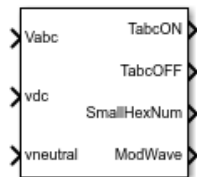
PWM Generator | PWM Generator (Three-phase, Three-level) | Thyristor 6-Pulse Generator

Introduced in R2016b

PWM Timing and Waveform Generator (Three-phase, Three-level)

Generate three-phase, three-level gating time information

Library: Simscape / Electrical / Control / Pulse Width Modulation



Description

The PWM Timing and Waveform Generator (Three-phase, Three-level) block controls switching behavior for a three-phase, three-level power converter. The block calculates on-gating and off-gating times and modulation waves based on these block inputs:

- Three sinusoidal reference voltages
- A DC-link voltage
- A DC-link neutral point balance control signal

This block can be used with average converters to speed up the simulation.

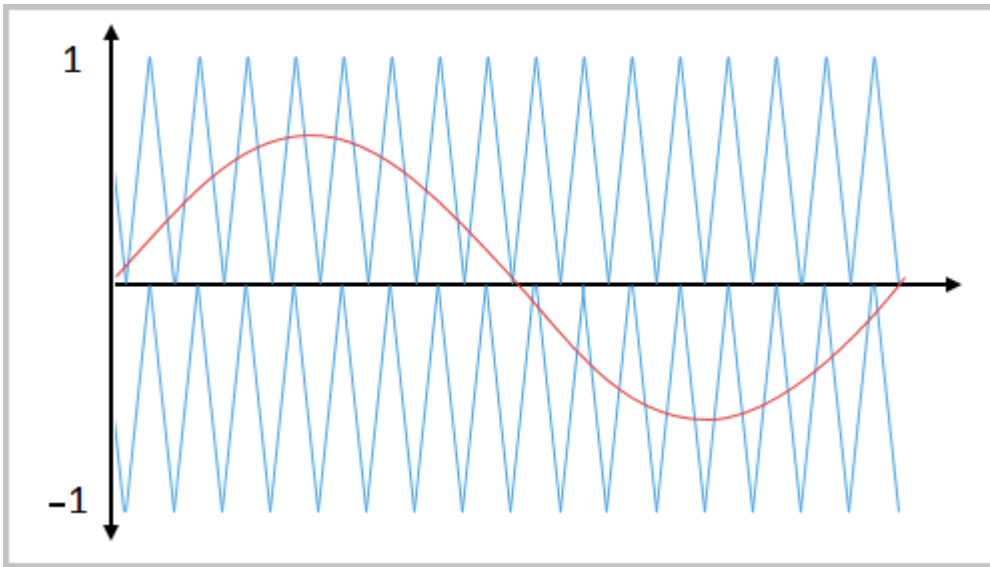
Sampling Mode

This block allows you to choose natural, symmetric, or asymmetric sampling of the modulation wave.

The PWM Timing and Waveform Generator (Three-phase, Three-level) block does not perform carrier-based pulse width modulation (PWM). Instead, the block uses input signals to calculate the gating times.

Carrier-based PWM is, however, useful for showing how the sampling mode that you select relates to the switch-on and switch-off behavior of the pulses that the block generates. A generator that uses a three-level, carrier-based PWM method:

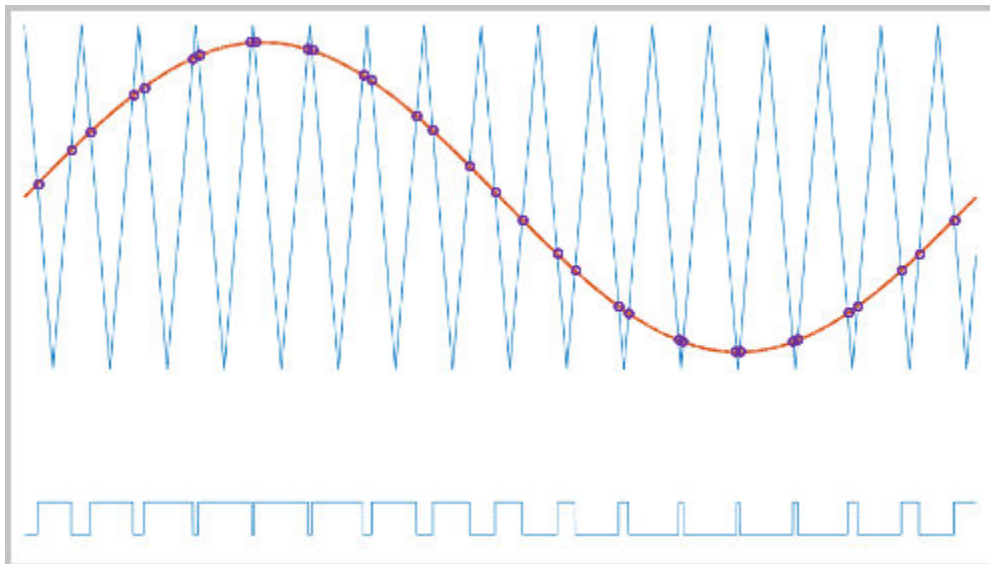
- 1 Samples a reference wave
- 2 Compares the sample to two parallel triangle carrier waves, separated by one level



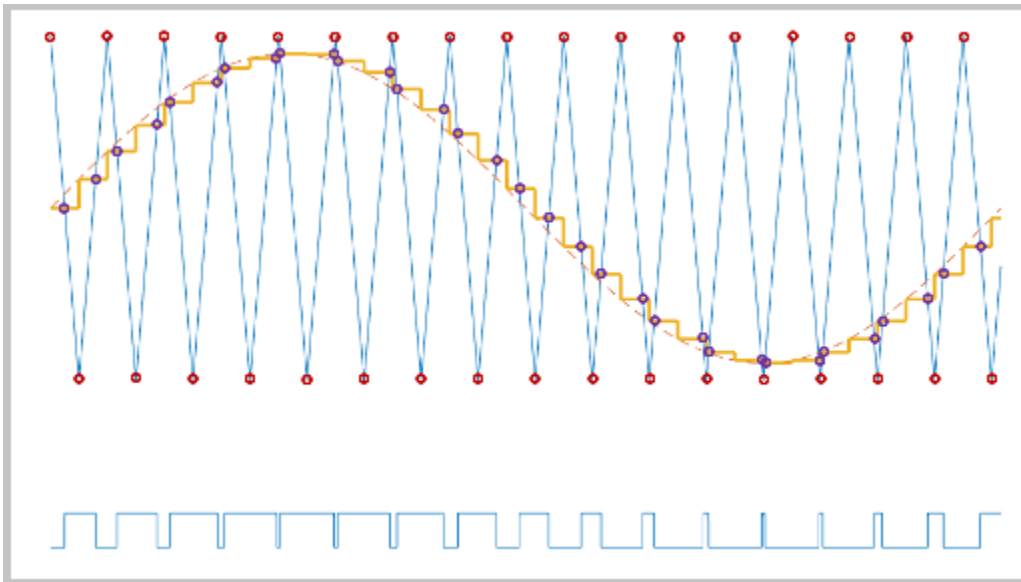
- 3 Generates a switch-on pulse if a sample is higher than the carrier signal or a switch-off pulse if a sample is lower than the carrier wave

To determine switch-on and switch-off pulse behavior, a three-level carrier-based PWM generator uses these methods to sample each of the triangle waves:

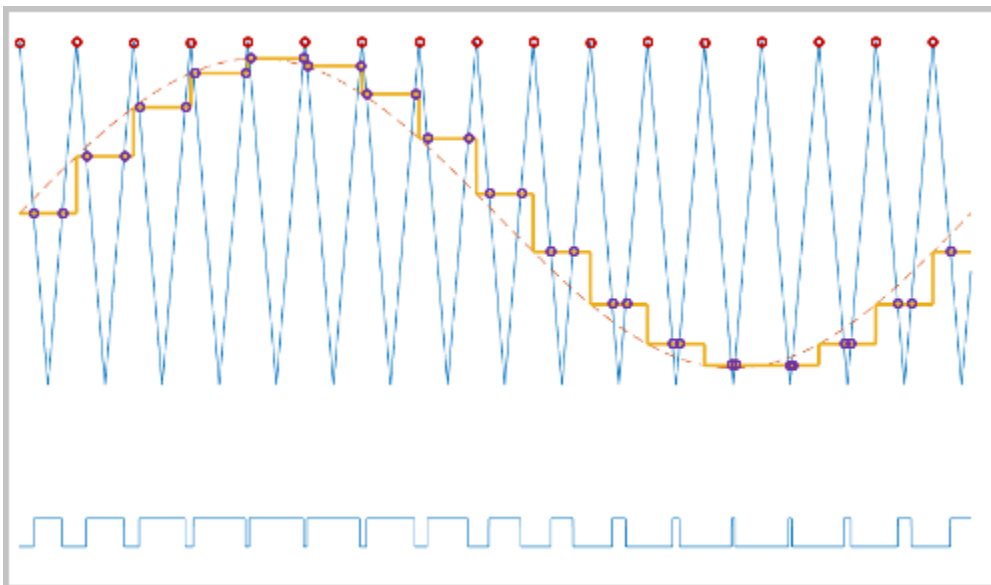
- Natural — The sampling and comparison occur at the intersection points of the modulation wave and the carrier wave.



- Asymmetric — Sampling occurs at the upper and lower boundaries of the carrier wave. The comparison occurs at the intersection that follows the sampling.



- Symmetric — Sampling occurs only at the upper boundary of the carrier wave. The comparison occurs at the intersection that follows the sampling.



Ports

Input

vabc — Three-phase sinusoidal reference signal

vector

Sinusoidal voltages that you want the attached converter to output, specified as a vector of three elements, with one element for each phase.

vdc — DC-link voltage signal

scalar

Positive real number for the DC-link voltage of the converter, specified as a scalar.

vneutral — DC-link neutral point balance control

scalar

Output from a feedback-control loop that balances the DC supply, specified as a real number between -1 and +1.

Output

Tgabc0N — Switch-on gating time

vector

Switch-on gating time, returned as a vector of three elements, with one element for each phase.

Tgabc0FF — Switch-off gating time

vector

Switch-off gating time, returned as a vector of three elements, with one element for each phase.

SmallHexNum — Small hexagon number

scalar

Number of the small hexagon that composes the space-vector diagrams of conventional two-level inverters, returned as a scalar between 1 and 6. For more information, see the “Simplified Space-Vector PWM Method” on page 1-1279 section in the PWM Gate Signal Generator (Three-phase, Three-level) block.

ModWave — Modulation waves

vector

Modulation waves, returned as a vector of three elements, with one element for each phase.

Parameters

Continuous PWM — Continuous pulse width modulation method

SPWM: sinusoidal PWM (default) | SVM: space vector modulation

Specify the waveform technique.

Sampling mode — Wave-sampling method

Natural (default) | Asymmetric | Symmetric

Wave-sampling method. The sampling mode determines whether the block samples the modulation waveform when the waves intersect or when the carrier wave is at one or both of its boundary conditions.

Switching frequency (Hz) — Switching rate

1e3 (default) | positive scalar

Rate at which the switches in the power converter switch.

References

- [1] Chung, D. W., J. S. Kim, and S. K. Sul. "Unified Voltage Modulation Technique for Real Time Three-Phase Power Conversion." *IEEE Transactions on Industry Applications*, Vol. 34, No. 2, 1998, pp. 374-380.
- [2] Seo, J. H., C. H. Choi, and D. S. Hyun. "A new simplified space-vector PWM method for three-level inverters." *IEEE Transactions on Power Electronics*, Vol. 16, No. 4, 2001, pp. 545-550.

Extended Capabilities

C/C++ Code Generation

Generate C and C++ code using Simulink® Coder™.

See Also

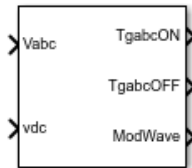
PWM Generator (Three-phase, Three-level) | PWM Gate Signal Generator (Three-phase, Three-level) | PWM Timing and Waveform Generator (Three-phase, Two-level) | Three-Level Converter (Three-Phase)

Introduced in R2020b

PWM Timing and Waveform Generator (Three-phase, Two-level)

Generate three-phase, two-level gating time information

Library: Simscape / Electrical / Control / Pulse Width Modulation



Description

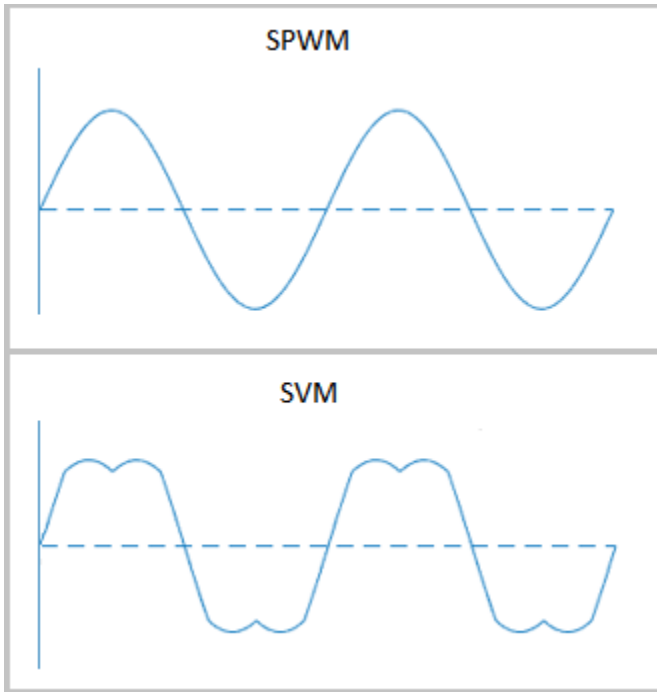
The PWM Timing and Waveform Generator (Three-phase, Two-level) block controls switching behavior for a three-phase, two-level power converter. The block calculates on-gating and off-gating times and modulation waves based on these block inputs:

- Three sinusoidal reference voltages
- A DC-link voltage

This block can be used with average converters to speed up the simulation.

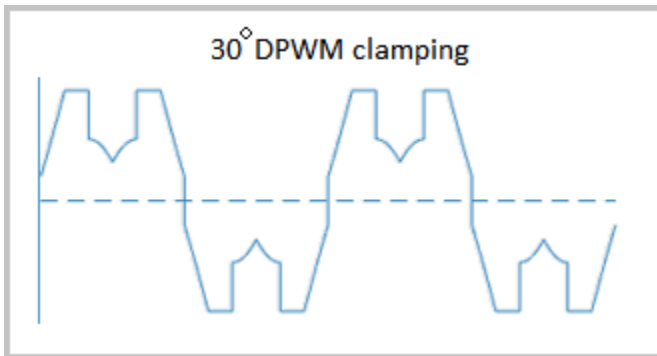
Continuous and Discontinuous PWM

The block provides modes for both continuous and discontinuous pulse width modulation (PWM). The figure shows the general difference between continuous sinusoidal pulse width modulation (SPWM) and continuous space vector modulation (SVM) waveforms.

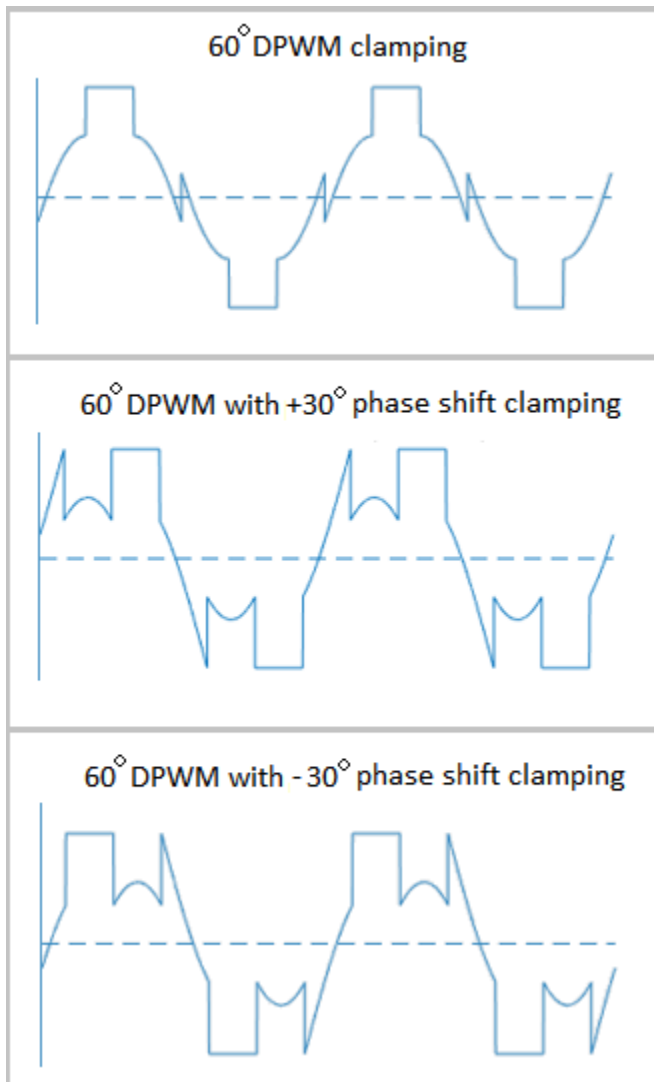


For discontinuous pulse width modulation (DPWM), the block clamps the modulation wave to the positive or negative DC rail for a total of 120 degrees during each fundamental period. During the clamping intervals, modulation discontinues.

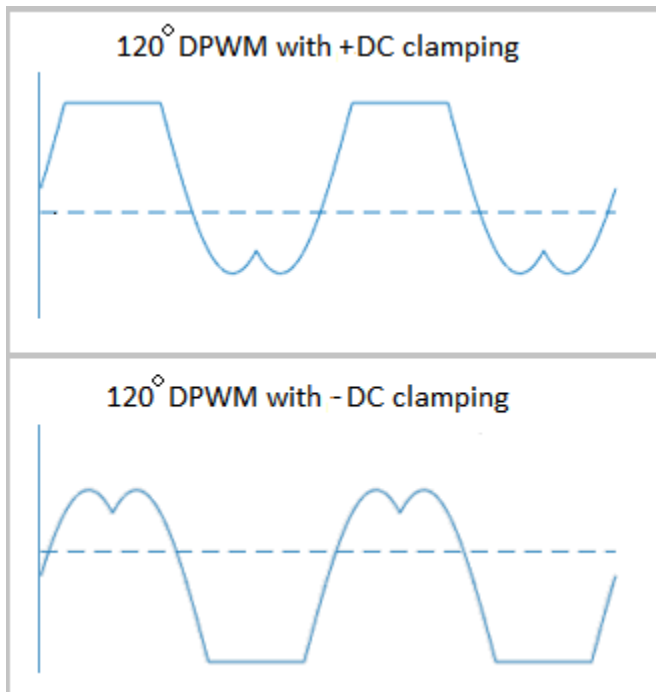
A waveform with 30-degree DPWM has four 30-degree intervals per fundamental period.



Selecting a positive or negative 30-degree phase shift affects the clamping intervals for 60-degree DPWM.



The figure shows the waveforms for positive and negative DC clamping for 120-degree DPWM.



Sampling Mode

This block allows you to choose natural, symmetric, or asymmetric sampling of the modulation wave.

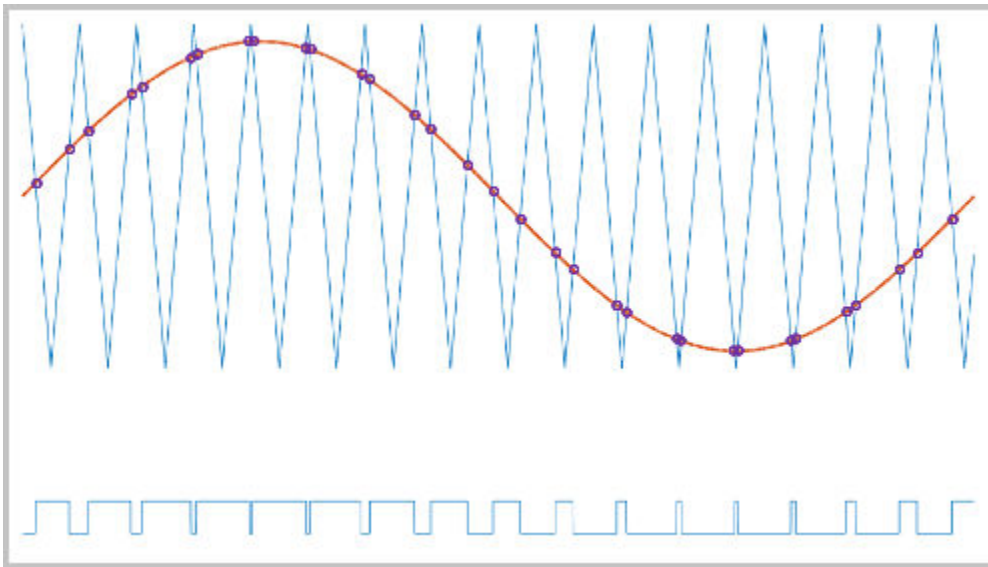
The PWM Timing and Waveform Generator (Three-phase, Two-level) block does not perform carrier-based PWM. Instead, the block uses input signals to calculate the gating times.

Carrier-based PWM is, however, useful for showing how the sampling mode that you select relates to the switch-on and switch-off behavior of the pulses that the block generates. A generator that uses a two-level, carrier-based PWM method:

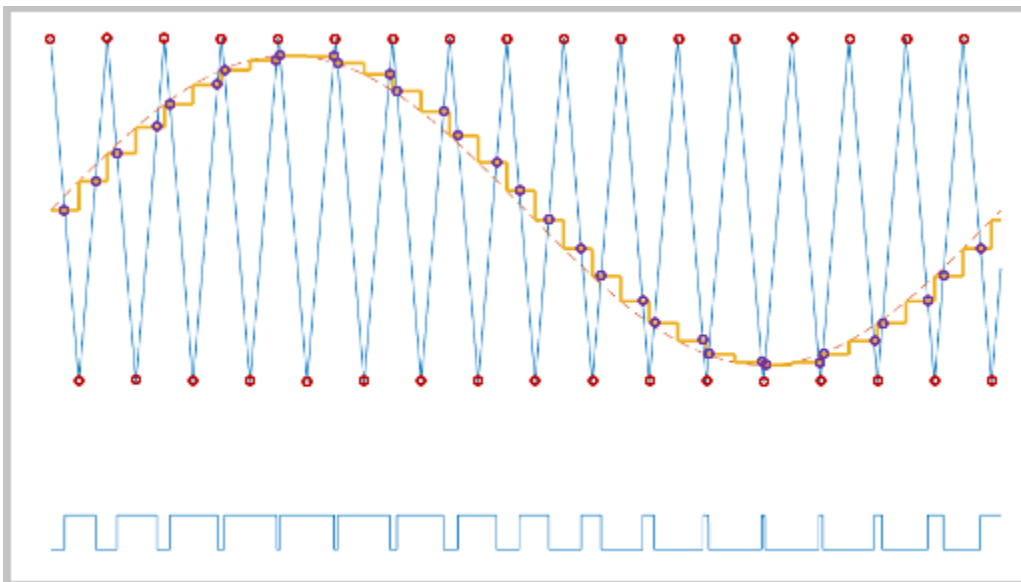
- 1 Samples a reference wave
- 2 Compares the sample to a triangle carrier wave
- 3 Generates a switch-on pulse if a sample is higher than the carrier signal or a switch-off pulse if a sample is lower than the carrier wave

To determine switch-on and switch-off pulse behavior, a two-level carrier-based PWM generator uses these methods to sample the triangle wave:

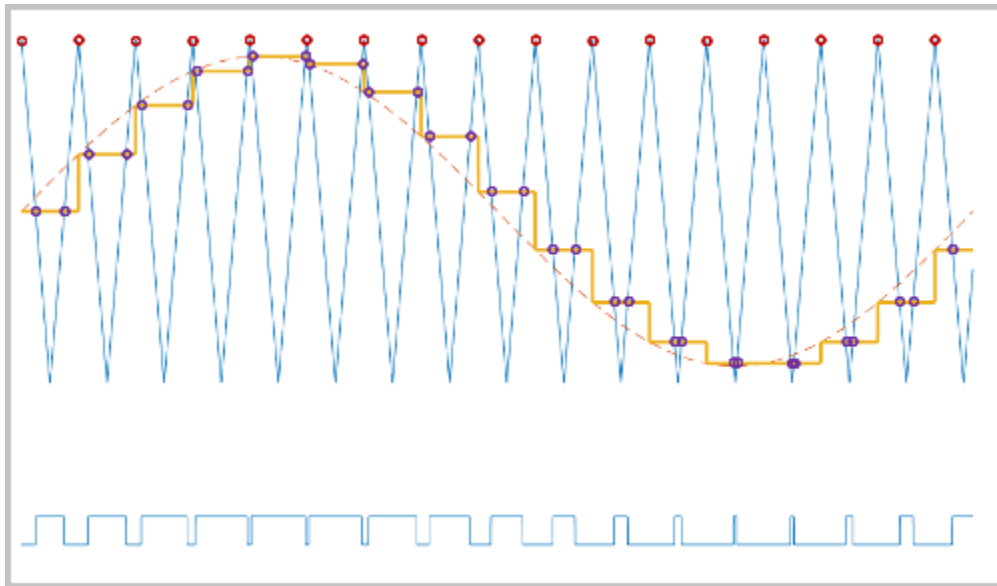
- Natural — The sampling and comparison occur at the intersection points of the modulation wave and the carrier wave.



- Asymmetric — Sampling occurs at the upper and lower boundaries of the carrier wave. The comparison occurs at the intersection that follows the sampling.



- Symmetric — Sampling occurs at only the upper boundary of the carrier wave. The comparison occurs at the intersection that follows the sampling.



Ports

Input

Vabc — Three-phase sinusoidal reference signal

vector

Sinusoidal voltages that you want the attached converter to output, specified as a vector of three elements, with one element for each phase.

vdc — DC-link voltage signal

scalar

Positive real number for the DC-link voltage of the converter, specified as a scalar.

Output

TgabcON — Switch-on gating time

vector

Switch-on gating time, returned as a vector of three elements, with one element for each phase.

TgabcOFF — Switch-off gating time

vector

Switch-off gating time, returned as a vector of three elements, with one element for each phase.

ModWave — Modulation waves

vector

Modulation waves, returned as a vector of three elements, with one element for each phase.

Parameters

PWM mode — Pulse width modulation method

Continuous PWM (CPWM) (default) | Discontinuous PWM (DPWM)

Pulse width modulation method. Discontinuous PWM (DPWM) clamps the waveform to the DC rail for a total of 120 degrees in each fundamental period. Continuous PWM (CPWM) does not.

Continuous PWM — Continuous pulse width modulation method

SVM: space vector modulation (default) | SPWM: sinusoidal PWM

Continuous pulse width modulation method.

Dependencies

To enable this parameter, set **PWM mode** to Continuous PWM (CPWM).

Discontinuous PWM (DPWM) — Clamping method

60 DPWM: 60 degree discontinuous PWM (default) | ...

Discontinuous pulse width modulation method. Specify the method for distributing the 120 degrees per period during which the block clamps the modulation wave to the DC rail. Options include:

- 60 DPWM: 60 degree discontinuous PWM
- 60 DPWM (+30 degree shift): +30 degree shift from 60 DPWM
- 60 DPWM (-30 degree shift): -30 degree shift from 60 DPWM
- 30 DPWM: 30 degree discontinuous PWM
- 120 DPWM: positive dc component
- 120 DPWM: negative dc component

When the wave is clamped, modulation discontinues.

Dependencies

To enable this parameter, set **PWM mode** to Discontinuous PWM (DPWM).

Sampling mode — Wave-sampling method

Natural (default) | Asymmetric | Symmetric

Wave-sampling method. The sampling mode determines whether the block samples the modulation waveform when the waves intersect or when the carrier wave is at one or both of its boundary conditions.

Switching frequency (Hz) — Switching rate

1e3 (default) | positive scalar

Rate at which the switches in the power converter switch.

References

- [1] Chung, D. W., J. S. Kim, and S. K. Sul. "Unified Voltage Modulation Technique for Real Time Three-Phase Power Conversion." *IEEE Transactions on Industry Applications*, Vol. 34, No. 2, 1998, pp. 374-380.

[2] Seo, J. H., C. H. Choi, and D. S. Hyun. "A new simplified space-vector PWM method for three-level inverters." *IEEE Transactions on Power Electronics*, Vol. 16, No. 4, 2001, pp. 545-550.

Extended Capabilities

C/C++ Code Generation

Generate C and C++ code using Simulink® Coder™.

See Also

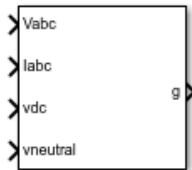
Converter (Three-Phase) | PWM Gate Signal Generator (Three-phase, Two-level) | PWM Generator (Three-phase, Two-level) | PWM Timing and Waveform Generator (Three-phase, Three-level)

Introduced in R2020b

PWM Generator (Vienna Rectifier)

Vienna rectifier pulse-width modulation waveform generator

Library: Simscape / Electrical / Control / Pulse Width Modulation



Description

The PWM Generator (Vienna Rectifier) block:

- 1 Calculates on-gating and off-gating times based on the block inputs:
 - Three sinusoidal reference voltages, one per phase, that must be generated at the AC side of the Vienna rectifier, one per phase
 - Three filtered input sinusoidal current measurements of the Vienna rectifier, one per phase
 - A DC-link voltage
 - A DC-link neutral point balance control signal
- 2 Uses the gating times to generate three switch-controlling pulses.

The block uses a simplified space vector modulation method based on the equivalence between two-level and three-level converters to generate the control pulses [1].

The three-phase filtered input currents are used to identify the active voltage vector hexagons. The switching sequence selection and on-gating and off-gating times are determined by simplifying the space-vector diagram of a three-level inverter into that of a two-level inverter [2].

The DC link neutral point balance control signal that comes from the external DC link neutral control loop is used to adjust the time distribution of the redundant voltage vectors within one single switching period.

Sampling Mode

The block allows you to choose natural, symmetric, or asymmetric sampling of the modulation wave.

The PWM Generator (Vienna Rectifier) block does not perform carrier-based pulse-width modulation (PWM). Instead, the block uses input signals to calculate gating times and uses the gating times to generate the switch-controlling pulses.

For more information about the sampling modes, see PWM Generator (Three-phase, Two-level).

Ports

Input

Vabc — Three-phase sinusoidal reference signal

vector

Three sinusoidal voltages, one per phase.

Iabc — Three-phase current reference signal

vector

Three currents, one per phase.

vdc — DC link voltage signal

positive scalar

DC link voltage of the converter. The value of the signal must be greater than 0.

vneutral — DC link neutral point balance control

scalar

Output of the feedback-control loop that balances the DC supply. The value of the signal must be between -1 and $+1$.

Output

g — Gate control

vector

Three-pulse waveforms that determine the switching behavior in the attached power converter.

Parameters

Sampling mode — Wave sampling method

Natural (default) | Asymmetric | Symmetric

Sampling mode that determines whether the block samples the modulation waveform when the waves intersect or when the carrier wave is at one or both of its boundary conditions.

Switching frequency (Hz) — Switching rate

1e3 Hz (default) | positive number

Rate at which the switches in the power converter switch, in Hz.

Sample time (s) — Block sample time

5e-5 s (default) | positive number

Time interval between successive block executions, in s. To ensure adequate resolution in the generated signal, set this value to be less than or equal to $1/(50 \cdot F_{sw})$, where F_{sw} is the **Switching frequency (Hz)**.

References

- [1] R. Burgos, R. Lai, Y. Pei, F.Wang, D. Boroyevich, and J. Pou, "Space vector modulation for Vienna-type rectifiers based on the equivalence between two- and three-level converters: A carrier-based implementation", IEEE Trans. Power Electron., vol. 23, no. 4, pp. 1888-1898, Jul. 2008
- [2] J. H. Seo, C. H. Choi, and D. S. Hyun, "A new simplified space-vector PWM method for three-level inverters", IEEE Trans. Power Electron., vol. 16, no. 4, pp. 545-550, Jul. 2001.

Extended Capabilities

C/C++ Code Generation

Generate C and C++ code using Simulink® Coder™.

See Also

PWM Generator (Three-phase, Three-level) | PWM Generator | PWM Generator (Three-phase, Two-level)

Introduced in R2019b

Quadrature Shaft Decoder

Decode incremental shaft encoder output

Library: Simscape / Electrical / Control / Observers



Description

The Quadrature Shaft Decoder block measures the shaft rotation from an encoder block, such as the Incremental Shaft Encoder, and outputs the velocity and position.

The block counts the transitions of a pair of digital signals, *A* and *B*, that are positioned 90° out of phase. The block determines the direction and relative position by counting only one of the two signals changes per tick. The angular velocity is obtained by measuring the frequency of either signal.

Ports

Input

A — Digital signal A

scalar

Simulink digital signal *A*, specified as a scalar, which is 90° out-of-phase with digital signal *B*.

Data Types: `single` | `double`

B — Digital signal B

scalar

Simulink digital signal *B*, specified as a scalar, which is 90° out-of-phase with digital signal *A*.

Data Types: `single` | `double`

Z — Index pulse

scalar

Simulink signal, specified as a scalar, associated with the decoder index pulse that is used to reset the position calculation.

Data Types: `single` | `double`

Output

Velocity — Shaft rotational velocity

scalar

Simulink signal, specified as a scalar, associated with the shaft rotational velocity.

Data Types: single | double

Position — Shaft angle of rotation

scalar

Simulink signal, specified as a scalar, associated with the shaft angle of rotation.

Data Types: single | double

Parameters**Pulses per revolution — Pulses per revolution**

4 (default) | integer > 0

Number of pulses per revolution of the encoder shaft.

Sample time (-1 for inherited) — Block sample time

-1 (default) | positive scalar

Time between consecutive block executions, in s. During execution, the block produces outputs and, if appropriate, updates its internal state. For more information, see “What Is Sample Time?” and “Specify Sample Time”.

If this block is inside a triggered subsystem, you can set this block to inherit the sample time by setting this parameter to -1. If this block is in a continuous variable-step model, specify the sample time explicitly by using a positive scalar.

Extended Capabilities**C/C++ Code Generation**

Generate C and C++ code using Simulink® Coder™.

See Also

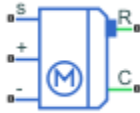
Incremental Shaft Encoder

Introduced in R2019b

RC Servo

Radio control servomotor with PWM-based angular position tracking and fault modeling

Library: Simscape / Electrical / Electromechanical / Brushed Motors



Description

The RC Servo block represents a small DC motor with a gearbox and control circuitry, commonly used in quadcopters, radio-controlled planes and helicopters, and other mechatronic devices. RC servos provide angular position control of the output shaft over a limited angle range. The angle demand is set by the pulse width of a PWM signal applied to port s.

The RC Servo block models the following effects:

- Torque-speed behavior based on DC motor equations
- Position tracking based on the input PWM signal pulse width
- Internal gear reduction ratio, including associated friction losses
- Mechanical end stops, to prevent the output shaft being driven out of range by the load
- Position measurement error
- Fault modeling

The motor equations are the same as those used by the DC Motor block, except that the inductance is not modeled. The RC Servo block determines the equation parameters using the stall torque and no-load speeds, and makes a correction to take account of the backdrive torque.

Faults

The RC Servo block allows you to model several types of faults:

- Fail off — No electrical torque.
- Fail forward — Rotates in a positive direction to hit the upper end stop.
- Fail reverse — Rotates in a negative direction to hit the lower end stop.
- Failed winding — Torque is applied only if the motor rotor lines up with one of the two remaining functioning windings.

The block can trigger fault events:

- At a specific time
- When a current limit is exceeded for longer than a specific time interval

You can enable or disable these trigger mechanisms separately, or use them together if more than one trigger mechanism is required in a simulation. When more than one mechanism is enabled, the first mechanism to trigger the fault takes precedence. In other words, component fails no more than once per simulation.

You can choose whether to issue an assertion when a fault occurs, by using the **Reporting when a fault occurs** parameter. The assertion can take the form of a warning or an error. By default, the block does not issue an assertion.

Variables

Use the **Variables** section of the block interface to set the priority and initial target values for the block variables prior to simulation. For more information, see “Set Priority and Initial Target for Block Variables”.

Assumptions and Limitations

- This block has no optional thermal port.
- If you simulate the model with a fixed-step solver, for example, using a local solver, the step size must be small enough to get the required resolution of the input pulse width. MathWorks recommends that you use this block with variable step solvers for fast desktop simulation.

Ports

Conserving

s — Shaft control

electrical

Electrical conserving port associated with the PWM control signal. The output shaft angle demand is set by the pulse width of the voltage applied to this port.

+ — Positive terminal

electrical

Electrical conserving port associated with the motor positive terminal.

- — Negative terminal

electrical

Electrical conserving port associated with the motor negative terminal.

R — Rotor

mechanical rotational

Mechanical rotational conserving port associated with the rotor.

C — Casing

mechanical rotational

Mechanical rotational conserving port associated with the stator (casing).

Parameters

Electrical Torque

Stall torque — Maximum load torque

2.4 kg*cm (default)

Maximum load torque that the RC servo can move without stalling (stopping).

Time to travel 60 degrees (no load) – Output shaft 60 degrees turn time

0.28 s (default)

The time for the output shaft to turn 60 degrees when the motor is driving no load.

Corresponding nominal voltage – DC supply voltage

4.8 V (default)

The DC supply voltage used when measuring stall torque and time to travel 60 degrees.

Rotational range – Output shaft angular range

[0 180] deg (default)

The output shaft angular range of the RC servo.

Corresponding pulse widths – Input pulse widths range

[550 2330] us (default)

The input pulse widths corresponding to the minimum and maximum output angles, as defined by the **Rotational range** parameter. Pulse widths outside of this range are clipped by the block to stay within this range.

Control**Pulse threshold – Threshold voltage for pulse control**

3 V (default)

The input pulse is detected as high when the voltage between the s and - ports is above this level.

Signal input resistance – Impedance

18 kOhm (default)

The electrical impedance measured between the s and - ports.

Angle resolution – Minimum error allowed between the demanded and measured output shaft angle

0.1 deg (default)

When the error between the demanded output shaft angle and measured output shaft angle drops below the angle resolution, the motor is powered off. This parameter models the hysteresis usually incorporated into an RC servo controller to prevent chatter around a set point.

Angle measurement error – Model error in angle measurement

0 deg (default)

This parameter allows you to model an angle measurement error, such as can happen due to a failing potentiometer angle sensor. For example, if you want to model the motor being powered against one of the hard stops, you can set a suitable angle measurement error to achieve this.

Mechanical**Backdrive torque (unpowered) – Load torque required to backdrive unpowered motor**

0.5 kg*cm (default)

Load torque required to backdrive the motor when it is unpowered. The block uses this value to determine the gear friction parameters.

Gear reduction ratio — Approximate reduction ratio from motor shaft to RC servo output shaft

320 (default)

Reduction ratio from the DC motor shaft to the RC servo output shaft. This parameter affects only the impact of rotor inertia on equivalent inertia value at the output shaft. It has no impact on no-load speed. Therefore, the value does not have to be precise.

Rotor inertia — Inertia of DC motor and rotor gearing

10 g*cm² (default)

Inertia of the DC motor, plus inertia of the gearing reflected to the rotor (typically small if the gears are plastic).

End-stop angles — Mechanical angle range

[-5 185] deg (default)

Mechanical end stops prevent rotation of the output shaft beyond the specified range. The range specified by the end stop angles must be larger than that specified by the **Rotational range** parameter.

End-stop stiffness — Stiffness of mechanical end stops

1e6 N*m/rad (default)

Stiffness of mechanical end stops.

End-stop damping — Damping of mechanical end stops

0.01 N*m/(rad/s) (default)

Damping of mechanical end stops.

Faults

Enable faults — Select Yes to enable faults modeling

No (default) | Yes

Select **Yes** to enable faults modeling. The associated parameters in the **Faults** section become visible to let you select the reporting method and specify the trigger mechanism (temporal or behavioral). You can enable these trigger mechanisms separately or use them together.

Reporting when a fault occurs — Choose whether to issue an assertion when a fault occurs

None (default) | Warn | Error

Choose whether to issue an assertion when a fault occurs:

- **None** — The block does not issue an assertion.
- **Warn** — The block issues a warning.
- **Error** — Simulation stops with an error.

Dependencies

Enabled when the **Enable faults** parameter is set to Yes.

Fault type — Select the type of fault

Fail off (default) | Fail forward | Fail reverse | Failed winding

Select the type of fault:

- Fail off — No electrical torque.
- Fail forward — Rotates in a positive direction to hit the upper end stop.
- Fail reverse — Rotates in a negative direction to hit the lower end stop.
- Failed winding — Torque is applied only if the motor rotor lines up with one of the two remaining functioning windings.

Dependencies

Enabled when the **Enable faults** parameter is set to Yes.

Enable temporal fault trigger — Select Yes to enable time-based fault triggering

No (default) | Yes

Select Yes to enable time-based fault triggering. You can enable the temporal and behavioral trigger mechanisms separately or use them together.

Dependencies

Enabled when the **Enable faults** parameter is set to Yes.

Simulation time for a fault event — Time before entering faulted state

1 s (default)

Set the simulation time at which you want the block to enter the faulted state.

Dependencies

Enabled when the **Enable temporal fault trigger** parameter is set to Yes.

Enable behavioral fault trigger — Select Yes to enable behavioral fault triggering

No (default) | Yes

Select Yes to enable behavioral fault triggering. You can enable the temporal and behavioral trigger mechanisms separately or use them together.

Dependencies

Enabled when the **Enable faults** parameter is set to Yes.

Maximum permissible current — Current threshold to fault transition

1 A (default)

Specify the maximum permissible current value. If the current exceeds this value for longer than the **Time to fail when exceeding maximum permissible current** parameter value, then the block enters the faulted state.

Dependencies

Enabled when the **Enable behavioral fault trigger** parameter is set to Yes.

Time to fail when exceeding current – Maximum length of time the current exceeds the threshold

1 s (default)

Set the maximum length of time that the current can exceed the maximum permissible value without triggering the fault.

Dependencies

Enabled when the **Enable behavioral fault trigger** parameter is set to Yes.

Extended Capabilities**C/C++ Code Generation**

Generate C and C++ code using Simulink® Coder™.

See Also

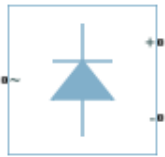
DC Motor

Introduced in R2017b

Rectifier (Three-Phase)

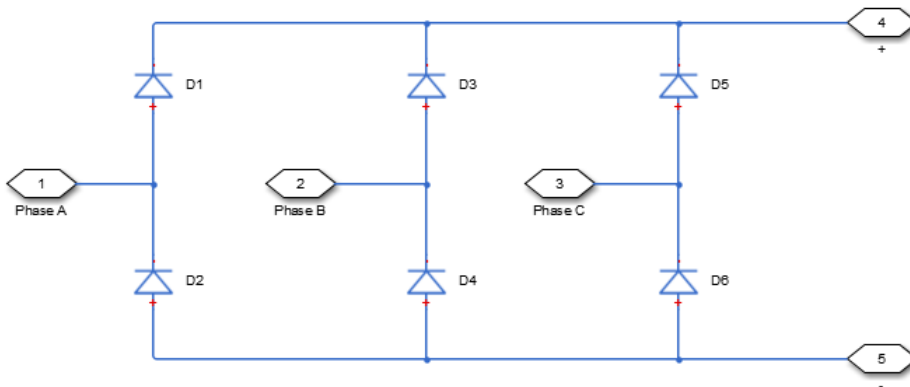
Uncontrolled three-phase AC to DC voltage

Library: Simscape / Electrical / Semiconductors & Converters / Converters



Description

The Rectifier (Three-Phase) block models a three-arm diode bridge circuit that converts a three-phase AC voltage to a DC voltage. The figure shows the equivalent circuit for the three-arm diode bridge.



Using the Charge Dynamics tab of the block dialog box, you can choose the type of diode that the three-arm bridge circuit uses. The table shows you how to set the **Model dynamics** parameter based on your goals.

Goal	Value to Select	Block Behavior
Prioritize simulation speed.	No dynamics	Each arm of the bridge circuit uses a copy of the Diode block. The block dialog box does not display additional parameters.
Precisely specify reverse-mode charge dynamics.	Model charge dynamics	Each arm of the bridge circuit uses a copy of the commutation model of the Diode block. The block dialog box shows parameters relating to the commutation model of the block.

Ports

Conserving

~ – Three-phase port

electrical

Expandable three-phase port

+ – Positive terminal

electrical

Electrical conserving port associated with the positive terminal

- – Negative terminal

electrical

Electrical conserving port associated with the negative terminal

Parameters

Main

Forward voltage – Forward voltage

0.8 V (default)

Minimum voltage required across the + and - ports of each diode for the gradient of the diode i-v characteristic to be $1/R_{on}$, where R_{on} is the value of **On resistance**.

On resistance – On resistance

0.001 Ohm (default)

Rate of change of voltage versus current above the forward voltage for each diode.

Off conductance – Off conductance

1e-5 1/Ohm (default)

Conductance of each reverse-biased diode.

Charge Dynamics

Model dynamics – Diode charge dynamics

No dynamics (default) | Model charge dynamics

Diode charge dynamics. The default value is No dynamics.

The charge dynamics options you can select are:

- No dynamics
- Model charge dynamics

Junction capacitance – Junction capacitance

50e-9 F (default)

Diode junction capacitance.

Dependencies

This parameter is visible only when the **Model dynamics** parameter is set to Model charge dynamics.

Peak reverse current, i_{RM} — Peak reverse current

-235 A (default) | negative scalar

Peak reverse current measured by an external test circuit. This value must be less than zero.

Dependencies

This parameter is visible only when the **Model dynamics** parameter is set to Model charge dynamics.

Initial forward current when measuring i_{RM} — Initial forward current when measuring i_{RM}

300 A (default) | positive scalar

Initial forward current when measuring peak reverse current. This value must be greater than zero.

Dependencies

This parameter is visible only when the **Model dynamics** parameter is set to Model charge dynamics.

Rate of change of current when measuring i_{RM} — Rate of change of current when measuring i_{RM}

-50A/ μ s (default) | negative scalar

Rate of change of current when measuring peak reverse current. This value must be less than zero.

Dependencies

This parameter is visible only when the **Model dynamics** parameter is set to Model charge dynamics.

Reverse recovery time parameterization — Reverse recovery time parameterization

Specify stretch factor (default) | Specify reverse recovery time directly | Specify reverse recovery charge

Determines how you specify reverse recovery time in the block. The default value is Specify reverse recovery time directly.

If you select Specify stretch factor or Specify reverse recovery charge, you specify a value that the block uses to derive the reverse recovery time. For more information on these options, see “How the Block Calculates T_M and τ ” on page 1-374.

Dependencies

This parameter is visible only when the **Model dynamics** parameter is set to Model charge dynamics.

Reverse recovery time, t_{rr} — Reverse recovery time

15 μ s (default)

Interval between the time when the current initially goes to zero (when the diode turns off) and the time when the current falls to less than 10% of the peak reverse current. The value of the **Reverse**

recovery time, trr parameter must be greater than the value of the **Peak reverse current, iRM** parameter divided by the value of the **Rate of change of current when measuring iRM** parameter.

Dependencies

This parameter is visible only when the **Model dynamics** parameter is set to `Model charge dynamics` and the **Reverse recovery time parameterization** parameter is set to `Specify reverse recovery time directly`.

Reverse recovery time stretch factor — Reverse recovery time stretch factor 3 (default)

Value that the block uses to calculate **Reverse recovery time, trr**. This value must be greater than 1. Specifying the stretch factor is an easier way to parameterize the reverse recovery time than specifying the reverse recovery charge. The larger the value of the stretch factor, the longer it takes for the reverse recovery current to dissipate.

Dependencies

This parameter is visible only when the **Model dynamics** parameter is set to `Model charge dynamics` and the **Reverse recovery time parameterization** parameter is set to `Specify stretch factor`.

Reverse recovery charge, Qrr — Reverse recovery charge 1500 μAs (default)

Value that the block uses to calculate **Reverse recovery time, trr**. Use this parameter if the data sheet for your diode device specifies a value for the reverse recovery charge instead of a value for the reverse recovery time.

The reverse recovery charge is the total charge that continues to dissipate when the diode turns off.

The value must be less than $-\frac{i_{RM}^2}{2a}$,

where:

- i_{RM} is the value specified for **Peak reverse current, iRM**.
- a is the value specified for **Rate of change of current when measuring iRM**.

Dependencies

This parameter is visible only when the **Model dynamics** parameter is set to `Model charge dynamics` and the **Reverse recovery time parameterization** parameter is set to `Specify reverse recovery charge`.

For more information on these parameters, see Diode.

Extended Capabilities

C/C++ Code Generation

Generate C and C++ code using Simulink® Coder™.

See Also

Average-Value Inverter (Three-Phase) | Average-Value Rectifier (Three-Phase) | Converter (Three-Phase)

Topics

“Expand and Collapse Three-Phase Ports on a Block”

Introduced in R2013b

Resistor

Resistor including optional tolerance, operational limits, fault behavior, and noise

Library: Simscape / Electrical / Passive



Description

The Resistor block represents a linear resistor, while letting you model the following effects:

- “Tolerances” on page 1-1337
- “Operating Limits” on page 1-1338
- “Faults” on page 1-1338
- “Thermal Noise” on page 1-1338
- “Thermal Port” on page 1-1339

You can turn these modeling options on and off independently of each other. When all the additional options are turned off, the component behavior is identical to the Simscape Foundation library Resistor block.

In its simplest form, the Resistor block models a linear resistor, described with the following equation:

$$i = v/R$$

where:

- i is current.
- v is voltage.
- R is resistance.

If you set the **Noise mode** parameter to Enabled, then the defining equations are augmented by a discrete variable i_N to represent thermal noise, as described in “Thermal Noise” on page 1-1338.

Tolerances

You can apply tolerances to the nominal value you provide for the **Resistance** parameter. Datasheets typically provide a tolerance percentage for a given resistor type. The table shows how the block applies tolerances and calculates resistance based on the selected **Tolerance application** option.

Option	Resistance Value
None – use nominal value	R
Random tolerance	Uniform distribution: $R \cdot (1 - tol + 2 \cdot tol \cdot rand)$ Gaussian distribution: $R \cdot (1 + tol \cdot randn / nSigma)$

Option	Resistance Value
Apply maximum tolerance value	$R \cdot (1 + tol)$
Apply minimum tolerance value	$R \cdot (1 - tol)$

In the table,

- R is the **Resistance** parameter value, nominal resistance.
- tol is fractional tolerance, calculated from the percent-based **Tolerance (%)** parameter.
- $nSigma$ is the value you provide for the **Number of standard deviations for quoted tolerance** parameter.
- `rand` and `randn` are standard MATLAB functions for generating uniform and normal distribution random numbers.

Note If you choose the `Random tolerance` option and you are in "Fast Restart" mode, the random tolerance value is updated on every simulation if at least one between the fractional tolerance, tol , or the **Number of standard deviations for quoted tolerance**, $nSigma$, is set to Run-time and is defined with a variable (even if you do not modify that variable).

Operating Limits

You can specify operating limits in terms of power and maximum working voltage. For the thermal variant of the block (see "Thermal Port" on page 1-1339), you can also specify operating limits in terms of temperature.

When an operating limit is exceeded, the block can either generate a warning or stop the simulation with an error. For more information, see the "Operating Limits" on page 1-1341 parameters section.

Faults

The Resistor block allows you to model an electrical fault as an instantaneous change in resistance. The block can trigger fault events:

- At a specific time
- When a current limit is exceeded for longer than a specific time interval

You can enable or disable these trigger mechanisms separately, or use them together if more than one trigger mechanism is required in a simulation. When more than one mechanism is enabled, the first mechanism to trigger the fault takes precedence. In other words, the component fails no more than once per simulation.

When the resistor fails, its resistance is changed to the value you specify for the **Faulted zero-voltage resistance** parameter. You can also choose whether to issue an assertion when a fault occurs, by using the **Reporting when a fault occurs** parameter. The assertion can take the form of a warning or an error. By default, the block does not issue an assertion.

Thermal Noise

The Resistor block can generate thermal noise current. If you set the **Noise mode** parameter to `Enabled`, then the defining equations are augmented by a discrete variable i_N to represent thermal noise:

$$i = v/R + i_N$$

If the sampling time is h , then the thermal noise is given by:

$$i_N = \sqrt{2kT/R} \frac{N(0,1)}{\sqrt{h}}$$

where:

- k is the Boltzmann constant, $1.3806504 \times 10^{-23}$ J/K.
- T is the temperature.
- R is the resistance.
- N is a Gaussian random number with zero mean and standard deviation of one.
- $2kT/R$ is the double-sided thermal noise power distribution (the single-sided equivalent is $4kT/R$).

The block generates Gaussian noise by using the PS Random Number source in the Simscape Foundation library. You can control the random number seed by setting the **Repeatability** parameter:

- **Not repeatable** — Every time you simulate your model, the block resets the random seed using the MATLAB random number generator:

```
seed = randi(2^32-1);
```

- **Repeatable** — The block automatically generates a seed value and stores it inside the block, to always start the simulation with the same random number. This auto-generated seed value is set when you add a Resistor block from the block library to the model. When you make a new copy of the Resistor block from an existing one in a model, a new seed value is generated. The block sets the value using the MATLAB random number generator command shown above.
- **Specify seed** — If you select this option, the additional **Seed** parameter lets you directly specify the random number seed value.

Thermal Port

The block has an optional thermal port, hidden by default. To expose the thermal port, right-click the block in your model, and then from the context menu select **Simscape > Block choices > Show thermal port**. This action displays the thermal port H on the block icon, and adds the **Thermal** tab and the **Variables** tab to the block dialog box.

Use the **Thermal** tab to specify how the resistance value changes with temperature and to set the thermal mass. Use the **Variables** tab to set the initial temperature target.

With the thermal port exposed, the generated noise uses the temperature at the thermal port when determining the instantaneous noise value. Exposing the thermal port also extends the options on the **Operating Limits** tab as follows:

- The **Power rating** parameter becomes temperature dependent. You define a temperature up to which the full power rating is available, plus a higher temperature for which the power rating is reduced to zero. It is assumed that the power rating decreases linearly with temperature between these two values.
- An additional parameter, **Operating temperature range, [Tmin Tmax]**, lets you define the valid temperature range for block operation.

Variables

Use the **Variables** section of the block interface to set the priority and initial target values for the block variables prior to simulation. For more information, see “Set Priority and Initial Target for Block Variables”.

This section appears only for the blocks with exposed thermal port. The **Temperature** variable lets you specify a high-priority target for the temperature at the start of simulation.

Basic Assumptions and Limitations

Simulating with noise enabled slows down simulation. Choose the sample time (h) so that noise is generated only at frequencies of interest, and not higher.

Ports

Conserving

+ – Positive terminal

electrical

Electrical conserving port associated with the resistor positive terminal.

- – Negative terminal

electrical

Electrical conserving port associated with the resistor negative terminal.

H – Resistor thermal mass

thermal

Thermal conserving port that represents the resistor thermal mass.

Dependencies

Enabled for the thermal variant of the block. For more information, see “Thermal Port” on page 1-1339.

Parameters

Main

Resistance – Nominal resistance value

1 Ohm (default)

The nominal resistance value. Resistance value must be greater than zero.

Tolerance (%) – Resistor tolerance, in percent

5 (default)

The resistor tolerance as defined on the manufacturer datasheet.

Tolerance application – Select how to apply tolerance during simulation

None – use nominal value (default) | Random tolerance | Apply maximum tolerance value | Apply minimum tolerance value

Select how to apply tolerance during simulation:

- **None – use nominal value** — The block does not apply tolerance, uses the nominal resistance value. This is the default.
- **Random tolerance** — The block applies random offset to the resistance value, within the tolerance value limit. You can choose Uniform or Gaussian distribution for calculating the random number by using the **Tolerance distribution** parameter.
- **Apply maximum tolerance value** — The resistance is increased by the specified tolerance percent value.
- **Apply minimum tolerance value** — The resistance is decreased by the specified tolerance percent value.

Tolerance distribution — Select the distribution type

Uniform (default) | Gaussian

Select the distribution type for random tolerance:

- **Uniform** — Uniform distribution
- **Gaussian** — Gaussian distribution

Dependencies

Enabled when the **Tolerance application** parameter is set to **Random tolerance**.

Number of standard deviations for quoted tolerance — Used for calculating the Gaussian random number

4 (default)

Number of standard deviations for calculating the Gaussian random number.

Dependencies

Enabled when the **Tolerance distribution** parameter is set to **Gaussian**.

Operating Limits

Enable operating limits — Select Yes to enable reporting when the operational limits are exceeded

No (default) | Yes

Select Yes to enable reporting when the operational limits are exceeded. The associated parameters in the **Operating Limits** section become visible to let you select the reporting method and specify the operating limits in terms of power and maximum working voltage. Parameters that specify operating limits in terms of temperature are visible only for blocks with an exposed thermal port (see “Thermal Port” on page 1-1339). The default value is No.

Reporting when operating limits exceeded — Select the reporting method

Warn (default) | Error

Select what happens when an operating limit is exceeded:

- **Warn** — The block issues a warning.
- **Error** — Simulation stops with an error.

Dependencies

Enabled when the **Enable operating limits** parameter is set to Yes.

Maximum working voltage — Maximum voltage allowed for normal block operation

100 V (default)

Maximum voltage magnitude allowed for normal block operation.

Dependencies

Enabled when the **Enable operating limits** parameter is set to Yes.

Power rating — Maximum power allowed for normal block operation

1 W (default)

Maximum power allowed for normal block operation.

If you expose the thermal port of the block, this parameter becomes temperature dependent. The value you specify for the **Power rating** parameter applies up to the temperature specified by the **Temperature below which full power rating is available** parameter value. Then the power rating decreases linearly with temperature, until it becomes 0 at temperature specified by the **Temperature above which power rating is reduced to zero** parameter value.

Dependencies

Enabled when the **Enable operating limits** parameter is set to Yes.

Temperature below which full power rating is available — Maximum temperature where full power rating still applies

70 °C (default)

Maximum temperature where full power rating, specified by the **Power rating** parameter value, still applies.

Dependencies

Enabled for the thermal variant of the block. For more information, see “Thermal Port” on page 1-1339.

Temperature above which power rating is reduced to zero — Temperature where power rating becomes 0

155 °C (default)

Temperature where power rating becomes 0. Above this temperature, the simulation always issues an assertion regardless of dissipated power. This parameter value must be higher than **Temperature below which full power rating is available**.

Dependencies

Enabled for the thermal variant of the block. For more information, see “Thermal Port” on page 1-1339.

Operating temperature range, [Tmin Tmax] — Minimum and maximum temperature values allowed for normal block operation

[-50 150] °C (default)

A row vector of length 2 specifying minimum and maximum temperature values allowed for normal block operation. The first element is the lowest allowable operating temperature, and the second element is the largest allowable operating temperature.

Dependencies

Enabled for the thermal variant of the block. For more information, see “Thermal Port” on page 1-1339.

Faults**Enable faults — Select Yes to enable faults modeling**

No (default) | Yes

Select **Yes** to enable faults modeling. The associated parameters in the **Faults** section become visible to let you select the reporting method and specify the trigger mechanism (temporal or behavioral). You can enable these trigger mechanisms separately or use them together.

Reporting when a fault occurs — Choose whether to issue an assertion when a fault occurs

None (default) | Warn | Error

Choose whether to issue an assertion when a fault occurs:

- **None** — The block does not issue an assertion.
- **Warn** — The block issues a warning.
- **Error** — Simulation stops with an error.

Dependencies

Enabled when the **Enable faults** parameter is set to **Yes**.

Faulted resistance — Resistance when block is in faulted state

inf Ohm (default)

Resistance between the + and - ports when the block is in the faulted state.

Dependencies

Enabled when the **Enable faults** parameter is set to **Yes**.

Enable temporal fault trigger — Select Yes to enable time-based fault triggering

No (default) | Yes

Select **Yes** to enable time-based fault triggering. You can enable the temporal and behavioral trigger mechanisms separately or use them together.

Dependencies

Enabled when the **Enable faults** parameter is set to **Yes**.

Simulation time for fault event — Time before entering faulted state

1 s (default)

Set the simulation time at which you want the block to enter the faulted state.

Dependencies

Enabled when the **Enable temporal fault trigger** parameter is set to Yes.

Enable behavioral fault trigger — Select Yes to enable behavioral fault triggering

No (default) | Yes

Select Yes to enable behavioral fault triggering. You can enable the temporal and behavioral trigger mechanisms separately or use them together.

Dependencies

Enabled when the **Enable faults** parameter is set to Yes.

Maximum permissible current — Current threshold to fault transition

1 A (default)

Specify the maximum permissible current value. If the current exceeds this value for longer than the **Time to fail when exceeding maximum permissible current** parameter value, then the block enters the faulted state.

Dependencies

Enabled when the **Enable behavioral fault trigger** parameter is set to Yes.

Time to fail when exceeding maximum permissible current — Maximum length of time the current exceeds the threshold

1 s (default)

Set the maximum length of time that the current can exceed the maximum permissible value without triggering the fault.

Dependencies

Enabled when the **Enable behavioral fault trigger** parameter is set to Yes.

Noise**Noise mode — Select whether to model thermal noise current**

Disabled (default) | Enabled

Select whether to model thermal noise current:

- **Disabled** — No noise is produced by the resistor.
- **Enabled** — Resistor generates thermal noise current, and the associated parameters become visible in the **Noise** section.

Sample time — Rate at which the noise source is sampled

1e-3 s (default)

Defines the rate at which the noise source is sampled. Choose it to reflect the frequencies of interest in your model. Making the sample time too small will unnecessarily slow down your simulation.

Dependencies

Enabled when the **Noise mode** parameter is set to Enabled.

Repeatability — Select the noise control option

Not repeatable (default) | Repeatable | Specify seed

Select the noise control option:

- **Not repeatable** — The random sequence used for noise generation is not repeatable.
- **Repeatable** — The random sequence used for noise generation is repeatable, with a system-generated seed.
- **Specify seed** — The random sequence used for noise generation is repeatable, and you control the seed by using the **Seed** parameter.

Dependencies

Enabled when the **Noise mode** parameter is set to **Enabled**.

Auto-generated seed used for repeatable option — Auto-generated random number seed

random real number

Random number seed stored inside the block to make the random sequence repeatable. The parameter value is automatically generated using the MATLAB random number generator command. You can modify this parameter value, but it gets overwritten by a new random value if you copy the block to another block in the model. Therefore, if you want to control the seed of the random sequence, use the **Specify seed** option for the **Repeatability** parameter and specify the desired seed value using the **Seed** parameter.

Dependencies

Enabled when the **Repeatability** parameter is set to **Repeatable**.

Seed — Random number seed

0 (default)

Seed used by the noise random number generator.

Dependencies

Enabled when the **Repeatability** parameter is set to **Specify seed**.

Device simulation temperature — Temperature of resistor at the start of the simulation

25 °C (default)

The temperature of the resistor at the start of the simulation.

Dependencies

Enabled when the **Noise mode** parameter is set to **Enabled**.

For blocks with an exposed thermal port, this parameter is disabled. Instead, use the **Variables** tab to set the initial temperature target. For more information, see “Variables” on page 1-1340.

Thermal

This tab appears only for blocks with exposed thermal port. For more information, see “Thermal Port” on page 1-1339.

Resistance temperature coefficient — Specifies how the resistance value changes with temperature

0.00393 1/K (default)

The coefficient α in the equation that describes resistance as a function of temperature, $R_T = R(1 + \alpha(T - T_0))$. The default value is for copper.

Measurement temperature — Temperature corresponding to nominal resistance

25 °C (default)

The temperature T_0 , for which the nominal resistance R is specified.

Thermal mass — Thermal mass associated with port H

100 J/K (default)

Thermal mass associated with the thermal port H. It represents the energy required to raise the temperature of the thermal port by one degree.

Extended Capabilities**C/C++ Code Generation**

Generate C and C++ code using Simulink® Coder™.

See Also

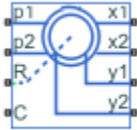
Fault | Resistor

Introduced in R2009a

Resolver

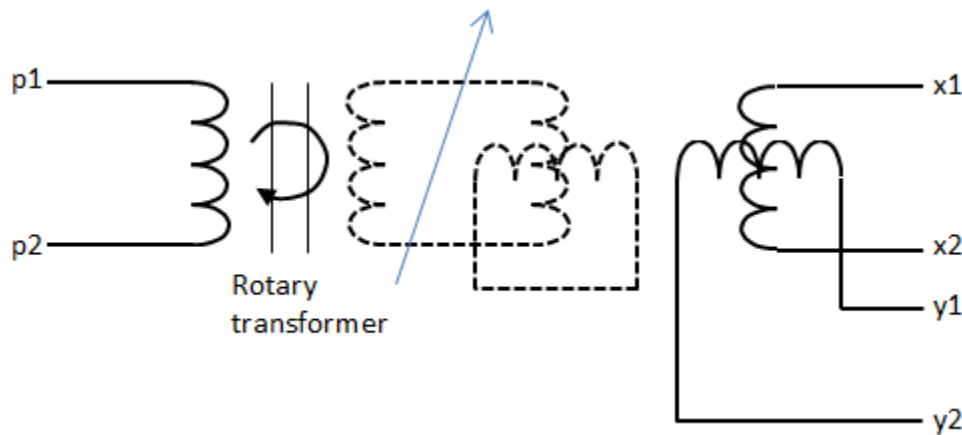
Rotary transformer that measures angle of rotation

Library: Simscape / Electrical / Sensors & Transducers



Description

The Resolver block models a generic resolver, which measures the electrical phase angle of a signal through electromagnetic coupling. The resolver consists of a rotary transformer that couples an AC voltage applied to the primary winding to two secondary windings. These secondary windings are physically oriented at 90 degrees to each other. As the rotor angle changes, the relative coupling between the primary and the two secondary windings varies. In the Resolver block model, the first secondary winding is oriented such that peak coupling occurs when the rotor is at zero degrees, and therefore the second secondary winding has minimum coupling when the rotor is at zero degrees.



Without loss of generality, it is assumed that the transformer between primary and rotor circuit is ideal with a ratio of 1:1. This results in the rotor current and voltage being equivalent to the primary current and voltage.

You have two options for defining the block equations:

- Omit the dynamics by neglecting the transformer inductive terms. This model is only valid if the sensor is driven by a sine wave because any DC component on the primary side will pass to the output side.
- Include the inductive terms, thereby capturing voltage amplitude loss and phase differences. This model is valid for any input waveform. Within this option, you can either specify the inductances and the peak coupling coefficient directly, or specify the transformation ratio and measured impedances, in which case the block uses these values to determine the inductive terms.

Equations when Omitting Dynamics

The equations are based on the superposition of two ideal transformers, both with coupling coefficients that depend on rotor angle. The two ideal transformers have a common primary winding. See the Simscape Ideal Transformer block reference page for more information on modeling ideal transformers. The equations are:

$$K_x = R \cos(N \Theta)$$

$$K_y = R \sin(N \Theta)$$

$$v_x = K_x v_p$$

$$v_y = K_y v_p$$

$$i_p = -K_x i_x - K_y i_y$$

where:

- v_p and i_p are the rotor (or equivalently primary) voltage and current, respectively.
- v_x and i_x are the first secondary voltage and current, respectively.
- v_y and i_y are the second secondary voltage and current, respectively.
- K_x is the coupling coefficient for the first secondary winding.
- K_y is the coupling coefficient for the second secondary winding.
- R is the transformation ratio.
- N is the number of pole pairs.
- Θ is the rotor angle.

Equations when Including Dynamics

The equations are based on the superposition of two mutual inductors, both with coupling coefficients that depend on rotor angle. The two mutual inductors have a common primary winding. See the Simscape Mutual Inductor block reference page for more information on modeling mutual inductors. The equations are:

$$v_p = R_p i_p + L_p \frac{di_p}{dt} + \sqrt{L_p L_s} k \left(\cos(N\theta) \frac{di_x}{dt} + \sin(N\theta) \frac{di_y}{dt} \right)$$

$$v_x = R_s i_x + L_s \frac{di_x}{dt} + \sqrt{L_p L_s} k \cos(N\theta) \frac{di_p}{dt}$$

$$v_y = R_s i_y + L_s \frac{di_y}{dt} + \sqrt{L_p L_s} k \sin(N\theta) \frac{di_p}{dt}$$

where:

- v_p and i_p are the rotor (or equivalently primary) voltage and current, respectively.
- v_x and i_x are the first secondary voltage and current, respectively.
- v_y and i_y are the second secondary voltage and current, respectively.
- R_p is the rotor (or primary) resistance.

- L_p is the rotor (or primary) inductance.
- R_s is the stator (or secondary) resistance.
- L_s is the stator (or secondary) inductance.
- N is the number of pole pairs.
- k is the coefficient of coupling.
- θ is the rotor angle.

It is assumed that coupling between the two secondary windings is zero.

Datasheets typically do not quote the coefficient of coupling and inductance parameters, but instead give the transformation ratio R and measured impedances. If you select **Specify transformation ratio and measured impedances** for the **Parameterization** parameter, then the values you provide are used to determine values for the equation coefficients, as defined above.

Variables

Use the **Variables** section of the block interface to set the priority and initial target values for the block variables prior to simulation. For more information, see “Set Priority and Initial Target for Block Variables”.

Assumptions and Limitations

- The resolver draws no torque between the mechanical rotational ports **R** and **C**.
- The transformer between primary and rotor circuit is ideal with a ratio of 1:1.
- The coupling between the two secondary windings is zero.

Ports

Conserving

p1 – Primary winding positive terminal

electrical

Electrical conserving port associated with the positive terminal of the primary winding.

p2 – Primary winding negative terminal

electrical

Electrical conserving port associated with the negative terminal of the primary winding.

R – Resolver rotor

mechanical rotational

Mechanical rotational conserving port connected to the rotor.

C – Resolver case

mechanical rotational

Mechanical rotational conserving port connected to the resolver case.

x1 – Secondary winding x positive terminal

electrical

Electrical conserving port associated with the positive terminal of secondary winding x.

x2 — Secondary winding x negative terminal

electrical

Electrical conserving port associated with the negative terminal of secondary winding x.

y1 — Secondary winding y positive terminal

electrical

Electrical conserving port associated with the positive terminal of secondary winding y.

y2 — Secondary winding y negative terminal

electrical

Electrical conserving port associated with the negative terminal of secondary winding y.

Parameters

Parameterization — Resolver parameterization

Specify transformation ratio and omit dynamics (default) | Specify transformation ratio and measured impedances | Specify equation parameters directly

Select one of the following methods for block parameterization:

- **Specify transformation ratio and omit dynamics** — Provide values for transformation ratio, number of pole pairs, and initial rotor angle only. This model neglects the transformer inductive terms, and is only valid if the sensor is driven by a sine wave. The equations are based on the superposition of two ideal transformers, both with coupling coefficients that depend on rotor angle. For more information, see “Equations when Omitting Dynamics” on page 1-1348.
- **Specify transformation ratio and measured impedances** — Provide additional values to determine the transformer inductive terms, to model the voltage amplitude loss and phase differences. This model is valid for any input waveform. The equations are based on the superposition of two mutual inductors, both with coupling coefficients that depend on rotor angle. For more information, see “Equations when Including Dynamics” on page 1-1348.
- **Specify equation parameters directly** — Model the dynamics, but provide values for rotor and stator inductances and the peak coefficient of coupling, instead of transformation ratio and measured impedances. For more information, see “Equations when Including Dynamics” on page 1-1348. This model is valid for any input waveform.

Transformation ratio — Peak output to input voltage ratio

0.5 (default) | positive number

Ratio between the peak output voltage and the peak input voltage assuming negligible secondary voltage drop due to resistance and inductance.

Dependencies

To enable this parameter, set the **Parameterization** parameter to **Specify transformation ratio and omit dynamics** or **Specify transformation ratio and measured impedances**. If you select **Specify transformation ratio and measured impedances** for the **Parameterization** parameter, then the transformation ratio takes the voltage drop due to primary winding resistance into account.

Rotor resistance – Primary resistance

70 Ohm (default) | positive number

Rotor ohmic resistance. This resistance is also referred to as the primary resistance.

Dependencies

To enable this parameter, set the **Parameterization** parameter to Specify transformation ratio and measured impedances or Specify equation parameters directly.

Stator resistance – Secondary resistance

180 Ohm (default) | positive number

Stator ohmic resistance. This resistance is also referred to as the secondary resistance. It is assumed that both secondaries have the same resistance.

Dependencies

To enable this parameter, set the **Parameterization** parameter to Specify transformation ratio and measured impedances or Specify equation parameters directly.

Rotor reactance – Primary reactance

100 Ohm (default) | positive number

Rotor reactance when the secondary windings are open-circuit. This reactance is also referred to as the primary reactance.

Dependencies

To enable this parameter, set the **Parameterization** parameter to Specify transformation ratio and measured impedances.

Stator reactance – Secondary reactance

300 Ohm (default) | positive number

Stator reactance when the primary winding is open-circuit. This reactance is also referred to as the secondary reactance.

Dependencies

To enable this parameter, set the **Parameterization** parameter to Specify transformation ratio and measured impedances.

Frequency at which reactances and transformation ratio are specified – Sinusoidal source frequency

10 kHz (default) | positive number

Frequency of the sinusoidal source used when measuring the reactances.

Dependencies

To enable this parameter, set the **Parameterization** parameter to Specify transformation ratio and measured impedances.

Rotor inductance – Primary reactance

0.0016 H (default) | positive number

Rotor or primary inductance, L_p .

Dependencies

To enable this parameter, set the **Parameterization** parameter to Specify equation parameters directly.

Stator inductance – Secondary reactance

0.0048 H (default) | positive number

Stator or secondary inductance, L_s .

Dependencies

To enable this parameter, set the **Parameterization** parameter to Specify equation parameters directly.

Peak coefficient of coupling – Maximum coupling coefficient

0.35 (default) | number between zero and one, exclusive

Peak coefficient of coupling between the primary and secondary windings.

Dependencies

To enable this parameter, set the **Parameterization** parameter to Specify equation parameters directly.

Number of pole pairs – Rotor pole pairs

1 (default) | positive number

Number of pole pairs on the rotor.

Extended Capabilities**C/C++ Code Generation**

Generate C and C++ code using Simulink® Coder™.

See Also

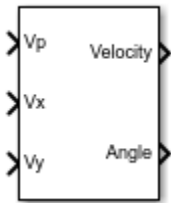
Incremental Shaft Encoder

Introduced in R2017b

Resolver-to-Digital Converter

Resolver-to-digital converter

Library: Simscape / Electrical / Control / Observers



Description

The Resolver-to-Digital Converter block models a transducer that converts the angular position or velocity of a rotating shaft to an electrical signal. Resolver-to-digital converters are commonly used in harsh, rugged environments, such as in fully electric vehicles.

The converted signal is proportional to the sine or cosine of the shaft angle.

A resolver sensor has one rotor winding with the exciter sine wave that is AC-coupled to two stator windings. The stator windings, a sine coil and a cosine coil, are mechanically positioned 90-degrees out-of-phase. As the rotor spins, the rotor position angle changes with respect to the stator windings. The resulting amplitude-modulated signals must then be gained, demodulated and post processed to extract angle and velocity information ([1] and [2]).

Equations

The block uses a phase-locked loop (PLL) to extract the angle and the velocity of the rotating shaft. The error voltage used by the PI controller is obtained as:

$$V_e = V_y V_p \cos(N\theta) - V_x V_p \sin(N\theta),$$

where:

- V_p is the excitation voltage.
- V_x is the x voltage for the secondary winding of the resolver.
- V_y is the y voltage for the secondary winding of the resolver.
- N is the number of pole pairs for the resolver.
- θ is the angle.

Therefore, the velocity is obtained as:

$$\omega = K_p V_e + K_i \int V_e,$$

and the angle is computed from the velocity using:

$$\frac{d\theta}{dt} = \omega.$$

Ports

Input

Vp — Voltage phase angle

scalar

Simulink signal that corresponds to the voltage phase angle.

Data Types: `single` | `double`

Vx — x-axis voltage

scalar

Simulink signal that corresponds to the x-axis voltage.

Data Types: `single` | `double`

Vy — y-axis voltage

scalar

Simulink signal that corresponds to the y-axis voltage.

Data Types: `single` | `double`

Output

Velocity — Rotational velocity

scalar

Simulink signal that corresponds to the rotational velocity.

Data Types: `single` | `double`

Angle — Rotational angle

scalar

Simulink signal that corresponds to the rotational angle.

Data Types: `single` | `double`

Parameters

Number of pole pairs — Pole pairs in the attached machine

4 (default) | positive scalar integer

Number of pole pairs in the attached machine.

Phase-locked loop proportional gain — PLL proportional gain

15 (default) | positive scalar

Proportional gain for the phase-locked loop filter. This value determines how aggressively the PLL tracks and locks to the phase angle. Increase this value to more closely track step changes in the phase angle.

Phase-locked loop integral gain — PLL integral gain

2.5e5 (default) | positive scalar

Integral gain for the phase-locked loop filter. Increase this value to increase the rate at which steady-state error is eliminated in the phase angle. This value also determines how aggressively the PLL tracks and locks to the phase.

Initial position (rad) – Initial phase angle

0 rad (default) | scalar

Initial estimate of the phase angle. If the input signal is a vector, use scalar parameters or use vector parameters that are the same size as the input signal.

Sample time (-1 for inherited) – Block sample time

-1 (default) | 0 | positive scalar

Time between consecutive block executions. During execution, the block produces outputs and, if appropriate, updates its internal state. For more information, see “What Is Sample Time?” and “Specify Sample Time”.

For inherited discrete-time operation, specify -1. For discrete-time operation, specify a positive integer. For continuous-time operation, specify 0.

Note If this block is in a masked subsystem, or another variant subsystem that allows you to switch between continuous operation or discrete operation, promote the sample time parameter to ensure correct switching between the continuous and discrete implementations of the block. For more information, see “Promote Parameter to Mask”.

References

- [1] Santanu Sarma, V.K. Agrawal, Subramanya Udupa. *Software-Based Resolver-to-Digital Conversion Using a DSP*. IEEE Transactions on Industrial Electronics, 55, 371-379 . February 2008. (https://www.researchgate.net/publication/3219673_Software-Based_Resolver-to-Digital_Conversion_Using_a_DSP)
- [2] Ankur Verma, Anand Chellamuthu. *Design considerations for resolver-to-digital converters in electric vehicles*. Texas Instruments, Analog Applications Journal. 2016. (<https://www.ti.com/lit/an/slyt661/slyt661.pdf>)

Extended Capabilities

C/C++ Code Generation

Generate C and C++ code using Simulink® Coder™.

See Also

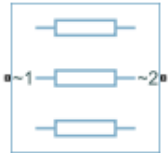
Sinusoidal Measurement (PLL) | Sinusoidal Measurement (PLL, Three-Phase)

Introduced in R2019b

RLC (Three-Phase)

Three-phase impedance

Library: Simscape / Electrical / Passive / RLC Assemblies



Description

The RLC (Three-Phase) block models a three-phase impedance with two three-phase connections. Each of the three identical impedance components can include any combination of a resistor (R), capacitor (C), and inductor (L), connected in series or in parallel.

Define the values for the R, L, and C components by specifying the appropriate block parameters. Do not set the parameter values to zero or infinity to remove terms; instead, select the correct option for the **Component structure** parameter.

For certain combinations of R, L, and C, for some circuit topologies, specify parasitic resistance or conductance values that help the simulation to converge numerically. These parasitic terms ensure that an inductor has a small parallel resistive path and that a capacitor has a small series resistance.

Block parameterization

The following two tables list the block parameters for each **Component structure**, based on the selected **Parameterization** option:

- Specify by rated power
- Specify component values directly

Component Structure	Main Parameters	Parasitics Parameters	Initial Conditions Parameters
R	Resistance	None	None
L	Inductance	Parasitic parallel conductance	Initial inductor current [Ia Ib Ic]
C	Capacitance	Parasitic series resistance	Initial capacitor voltage [Va Vb Vc]
Series RL	Resistance Inductance	Parasitic parallel conductance	Initial inductor current [Ia Ib Ic]
Series RC	Resistance Capacitance	None	Initial capacitor voltage [Va Vb Vc]

Component Structure	Main Parameters	Parasitics Parameters	Initial Conditions Parameters
Series LC	Inductance Capacitance	Parasitic parallel conductance	Initial inductor current [Ia Ib Ic] Initial capacitor voltage [Va Vb Vc]
Series RLC	Resistance Inductance Capacitance	Parasitic parallel conductance	Initial inductor current [Ia Ib Ic] Initial capacitor voltage [Va Vb Vc]
Parallel RL	Resistance Inductance	None	Initial inductor current [Ia Ib Ic]
Parallel RC	Resistance Capacitance	Parasitic series resistance	Initial capacitor voltage [Va Vb Vc]
Parallel LC	Inductance Capacitance	Parasitic series resistance	Initial inductor current [Ia Ib Ic] Initial capacitor voltage [Va Vb Vc]
Parallel RLC	Resistance Inductance Capacitance	Parasitic series resistance	Initial inductor current [Ia Ib Ic] Initial capacitor voltage [Va Vb Vc]

Variables

Use the **Variables** tab to specify the priority and initial target values for the block variables before simulation. For more information, see “Set Priority and Initial Target for Block Variables”.

The **Variables** tab is not visible if you set **Component structure** to R.

Ports

Conserving

~1 – Three-phase port

electrical

Expandable three-phase port.

~2 – Three-phase port

electrical

Expandable three-phase port.

Parameters

Main

Component structure — Desired combination

R (default) | L | C | Series RL | Series RC | Series LC | Series RLC | Parallel RL | Parallel RC | Parallel LC | Parallel RLC

Select the desired combination of a resistor (R), capacitor (C), and inductor (L), connected in series or in parallel.

Resistance — Resistance

1 Ohm (default)

Resistance of each of the line impedances.

Dependencies

This parameter is visible only when you select a component structure that includes a resistor.

Inductance — Inductance

1e-3 H (default)

Inductance of each of the line impedances. This parameter is visible only when you select a component structure that includes an inductor.

Dependencies

This parameter is visible only when you select a component structure that includes an inductor.

Capacitance — Capacitance

1e-6 F (default)

Capacitance in each of the line impedances.

Dependencies

This parameter is visible only when you select a component structure that includes a capacitor.

Parasitics

Parasitic series resistance — Parasitic series resistance

1e-6 Ohm (default)

Represents small parasitic effects. The parameter value corresponds to the series resistance value added to all instances of capacitors in the load.

Parasitic parallel conductance — Parasitic parallel conductance

1e-6 1/Ohm (default)

Represents small parasitic effects. The parameter value corresponds to the parallel conductance value added across all instances of inductors in the load.

Extended Capabilities

C/C++ Code Generation

Generate C and C++ code using Simulink® Coder™.

See Also

[Delta-Connected Load](#) | [Wye-Connected Load](#)

Topics

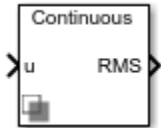
[“Expand and Collapse Three-Phase Ports on a Block”](#)

Introduced in R2013b

RMS Measurement

Calculate root-mean-square (RMS) properties of a signal

Library: Simscape / Electrical / Control / Measurements



Description

The RMS Measurement block measures root-mean-square (RMS) properties of the input signal. You can use it to measure one of these properties:

- The total RMS of the input signal
- The RMS of the individual harmonics of the input signal that you specify.

Use the total RMS configuration with appropriate sensors to perform RMS voltage, current, or power analyses in your system.

You can use the harmonics configuration to perform total harmonic distortion analyses on systems with nonlinear loads such as:

- Converters
- Motor drives
- Inverters

Equations

The total RMS value is calculated from the input signal x_{RMS} as:

$$x_{RMS}(t) = \sqrt{\frac{1}{T} \int_{-T}^t x(t)^2 dt},$$

where:

- T is the period of the input signal, or equivalently the inverse of its base frequency F .
- x is the input signal.

Because the calculation is performed over a period of time, the block requires T seconds to respond to a step change in the input signal. This condition also applies to startup.

The harmonic RMS component $x_{k,RMS}$ for harmonic k is calculated as:

$$x_{k,RMS}(t) = G \left(\frac{2}{T} \right) \sqrt{\left(\int_{-T}^t x(t) \sin\left(\frac{2\pi kt}{T}\right) dt \right)^2 + \left(\int_{-T}^t x(t) \cos\left(\frac{2\pi kt}{T}\right) dt \right)^2},$$

where G is equal to 0.5 for the DC component ($k = 0$) and $1/\sqrt{2}$ for the AC components ($k > 0$).

Ports

Input

u — Input signal

scalar

Periodic input signal.

Data Types: single | double

Output

RMS — Root-mean-square

scalar or vector

Estimated RMS of the input signal. If you select **Specify harmonics**, the output is a vector with each element corresponding to a specified harmonic. Otherwise, the output is a scalar representing the total RMS.

Data Types: single | double

Parameters

Base frequency (Hz) — Fundamental frequency

60 Hz (default) | scalar

Base frequency of the input signal corresponding to the first harmonic.

Specify harmonics — RMS output mode

off (default) | on

Specify whether to output the total RMS of the input signals, or the individual harmonics that you specify.

Harmonic numbers — Harmonics specification

[0 1 2] (default) | vector

Specify the harmonics for which to output an RMS.

Dependencies

To enable this parameter, select the **Specify harmonics** parameter.

Sample time — Block sample time

0 (default) | positive number

Time between consecutive block executions. During execution, the block produces outputs and, if appropriate, updates its internal state. For more information, see “What Is Sample Time?” and “Specify Sample Time”.

For continuous operation, set this property to 0. For discrete operation, specify the sample time explicitly as a positive number. This block does not support inherited sample time.

If this block is in a masked subsystem, or other variant subsystem that allows either continuous and discrete operation, promote the sample time parameter. Promoting the sample time parameter

ensures correct switching between the continuous and discrete implementations of the block. For more information, see “Promote Parameter to Mask”.

Extended Capabilities

C/C++ Code Generation

Generate C and C++ code using Simulink® Coder™.

See Also

Blocks

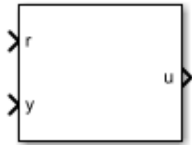
Sinusoidal Measurement (PLL) | Three-Phase Sinusoidal Measurement (PLL)

Introduced in R2017b

RST Controller

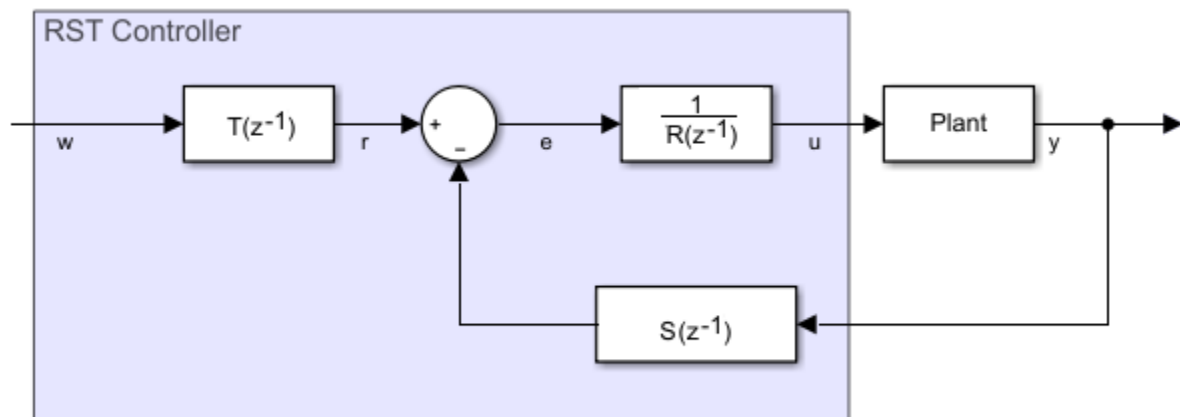
Predictive control using a polynomial representation

Library: Simscape / Electrical / Control / General Control



Description

The RST Controller block implements a generalized predictive controller using a reference signal tracking polynomial representation. The diagram shows the equivalent circuit for the control algorithm.



Equations

A controlled auto-regressive integrated moving average (CARIMA) model describes the plant:

$$A(z^{-1})y(k) = z^{-d}B(z^{-1})u(k-1) + \frac{e(k)C(z^{-1})}{D(z^{-1})}$$

$$A(z^{-1}) = 1 + a_1z^{-1} + \dots + a_{n_A}z^{-n_A}$$

$$B(z^{-1}) = b_0 + b_1z^{-1} + \dots + b_{n_B}z^{-n_B}$$

$$C(z^{-1}) = 1$$

$$D(z^{-1}) = 1 - z^{-1},$$

where:

- d is the system dead-time.
- $y(k)$ is the plant output.
- $u(k)$ is the controller output.
- $e(k)$ is white noise with a zero-mean value.
- $A(z^{-1})$ and $B(z^{-1})$ are the system polynomials.
- n_A and n_B are the polynomials degrees.
- $C(z^{-1})$ and $D(z^{-1})$ are the disturbance polynomials for obtaining the steady-state error.

The prediction model is given as

$$\widehat{y}(k+j|k) = G_{j-d}(z^{-1})D(z^{-1})z^{-d-1}u(k+j) + \frac{H_{j-d}(z^{-1})D(z^{-1})}{C(z^{-1})}u(k-1) + \frac{F_{j-d}(z^{-1})}{C(z^{-1})}y(k)$$

and

$$j = \overline{hi, hp}$$

where:

- hi is the minimum prediction.
- hp is the prediction horizon.

The future control sequence, computed at time k , is

$$u(k+j-1|k),$$

where

$$j = \overline{1, hc}$$

and hc is the control horizon.

The predicted values of the output is

$$\widehat{y}(k+j|k).$$

To determine the system polynomials, $F_{j-d}(z^{-1})$, $G_{j-d}(z^{-1})$, and $H_{j-d}(z^{-1})$, the block uses two Diophantine equations. The first Diophantine equation is

$$\frac{C(z^{-1})}{A(z^{-1})D(z^{-1})} = E_{j-d}(z^{-1}) + z^{-j+d} \frac{F_{j-d}(z^{-1})}{A(z^{-1})D(z^{-1})},$$

where:

$$E_{j-d}(z^{-1}) = 1 + e_1z^{-1} + \dots + e_{n_E}z^{-n_E}$$

$$F_{j-d}(z^{-1}) = f_0 + f_1z^{-1} + \dots + f_{n_F}z^{-n_F}$$

$$n_E = j - d - 1$$

$$n_F = \max(n_A + n_D - 1, n_C - j + d)$$

The second Diophantine equation is

$$E_{j-d}(z^{-1})B(z^{-1}) = C(z^{-1})G_{j-d}(z^{-1}) + z^{-j+d}H_{j-d}(z^{-1}),$$

where:

$$G_{j-d}(z^{-1}) = g_0 + g_1z^{-1} + \dots + g_{n_G}z^{-n_G}$$

$$H_{j-d}(z^{-1}) = h_0 + h_1z^{-1} + \dots + h_{n_H}z^{-n_H}$$

$$n_G = j - d - 1$$

$$n_H = \max(n_C, n_B + d) - 1$$

The resulting prediction model is

$$\hat{y}(k + j | k) = G_{j-d}(z^{-1})D(z^{-1})z^{-d-1}u(k + j) + \hat{y}_0(k + j | k),$$

where

$$\hat{y}_0(k + j | k) = \frac{H_{j-d}(z^{-1})D(z^{-1})}{C(z^{-1})}u(k - 1) + \frac{F_{j-d}(z^{-1})}{C(z^{-1})}y(k)$$

represents the free response of the system.

Using the matrix notation, the prediction model can be written as

$$= \mathbf{G}\mathbf{u}_d + \mathbf{o},$$

where:

$$= [\hat{y}(k + h_i | k), \hat{y}(k + h_i + 1 | k), \dots, \hat{y}(k + h_p | k)]^T$$

$$\mathbf{G} = \begin{bmatrix} g_{hi-d-1} & \dots & g_0 & 0 & \dots & 0 \\ g_{hi-d} & \dots & g_1 & g_0 & \dots & 0 \\ \dots & \dots & \dots & \dots & \dots & \dots \\ g_{hc-1} & \dots & \dots & \dots & \dots & g_0 \\ g_{hp-d-1} & \dots & \dots & \dots & \dots & g_{hp-hc-1} \end{bmatrix}$$

$$\mathbf{u}_d = [D(z^{-1})u(k), \dots, D(z^{-1})u(k + hc - 1)]^T$$

$$\mathbf{o} = [\hat{y}_0(k + h_i | k), \hat{y}_0(k + h_i + 1 | k), \dots, \hat{y}_0(k + h_p | k)]^T$$

To minimize tracking error and controller output, the block uses a cost function. To trade off between the minimization of the tracking error and the minimization of the controller output, the block uses a weighting factor, λ , such that

$$J = (\mathbf{G}\mathbf{u}_d + \mathbf{o} - \mathbf{w})^T(\mathbf{G}\mathbf{u}_d + \mathbf{o} - \mathbf{w}) + \lambda \mathbf{u}_d^T \mathbf{u}_d$$

for

$$D(z^{-1})u(k+i) = 0$$

and

$$i \in [hc, hp - d - 1],$$

where w is the reference trajectory vector. Minimizing the cost function, yields the equation for the optimal control sequence:

$$u_d^* = (G^T G + \lambda I_{hc}) G^T [w - 0].$$

As ν_j and $j = \overline{hi, hp}$ are elements in the first row of the matrix $(G^T G + \lambda I_{hc})^{-1} G^T$, applying the receding horizon principle yields the control algorithm equation as

$$D(z^{-1})u(k) = \sum_{j=hi}^{hp} \nu_j [w(k+j|k) - \hat{y}_0(k+j|k)].$$

Substitution using $\hat{y}_0(k+j|k) = \frac{H_{j-d}(z^{-1})D(z^{-1})}{C(z^{-1})}u(k-1) + \frac{F_{j-d}(z^{-1})}{C(z^{-1})}y(k)$ yields this form of the control algorithm equation:

$$\begin{aligned} C(z^{-1})D(z^{-1})u(k) &= - \sum_{j=hi}^{hp} \nu_j H_{j-d}(z^{-1})D(z^{-1})u(k-1) - \sum_{j=hi}^{hp} \nu_j F_{j-d}(z^{-1})y(k) \\ &+ \sum_{j=hi}^{hp} \nu_j C(z^{-1})w(k+j). \end{aligned}$$

The polynomial form of the control algorithm follows as

$$R(z^{-1})u(k) + S(z^{-1})y(k) = T(z^{-1})w(k+hp),$$

where:

$$R(z^{-1}) = \left(C(z^{-1}) + \sum_{j=hi}^{hp} \nu_j z^{-1} H_{j-d}(z^{-1}) \right) D(z^{-1}),$$

$$S(z^{-1}) = \sum_{j=hi}^{hp} \nu_j F_{j-d}(z^{-1}),$$

and

$$T(z^{-1}) = C(z^{-1}) \sum_{j=hi}^{hp} \nu_j z^{-hp+j}.$$

Limitations

To obtain the R , S , and T polynomials, use the discrete-time instead of the continuous-time transfer function.

Ports

Input

r – Plant reference

scalar

Plant system reference signal.

Data Types: `single` | `double`

y – Plant output

scalar

Plant system output signal.

Data Types: `single` | `double`

Output

u – Controller output

scalar

Control system output signal.

Data Types: `single` | `double`

Parameters

Controller parameterization – Parameterization method

`Controller polynomials (default)` | `Generate polynomials`

Method for parameterizing the controller. If you know the discrete-time R , S , and T polynomial values, select `Controller polynomials`. Otherwise, select `Generate polynomials`.

Dependencies

Selecting a parameterization method enables other parameters.

R polynomial – R polynomial values

1 (default) | positive, scalar or vector

Vector of the R polynomials for the RST control.

Dependencies

Selecting `Controller polynomials` for the **Controller parameterization** parameter enables this parameter.

S polynomial – S polynomial values

1 (default) | positive, scalar or vector

Vector of the S polynomials for the RST control.

Dependencies

Selecting `Controller polynomials` for the **Controller parameterization** parameter enables this parameter.

T polynomial — T polynomial values

1 (default) | positive, scalar or vector

Vector of the T polynomials for the RST control.**Dependencies**Selecting `Controller` polynomials for the **Controller parameterization** parameter enables this parameter.**Model discrete transfer function numerator — Transfer function numerator**

1 (default) | scalar or vector

Numerator of the system discretized transfer function. To determine the discrete transfer function, if you have a license for Control System Toolbox™, use the `c2d` function.**Dependencies**Selecting `Generate` polynomials for the **Controller parameterization** parameter enables this parameter.**Model discrete transfer function denominator — Transfer function denominator**

[1 0.5] (default) | vector

Denominator of the system discretized transfer function. To determine the discrete transfer function, if you have a license for Control System Toolbox, use the `c2d` function.**Dependencies**Selecting `Generate` polynomials for the **Controller parameterization** parameter enables this parameter.**Control horizon (samples) — Number of control-horizon samples**

5 (default) | positive integer

Number of samples in the control horizon.

DependenciesSelecting `Generate` polynomials for the **Controller parameterization** parameter enables this parameter.**Control weighting factor — Weighting factor**

0.5 (default) | positive number

Weighting factor for the RST controller.

DependenciesSelecting `Generate` polynomials for the **Controller parameterization** parameter enables this parameter.**System dead time (samples) — Number of dead-time samples**

2 (default) | 0 or a positive integer

Number of samples of the dead time.

Dependencies

Selecting `Generate polynomials` for the **Controller parameterization** parameter enables this parameter.

Sample time (-1 for inherited) – Sampling interval

-1 (default) | default value or a positive number

Time interval between samples. If the block is inside a triggered subsystem, inherit the sample time by setting this parameter to -1. If this block is in a continuous variable-step model, specify the sample time explicitly. For more information, see “What Is Sample Time?” and “Specify Sample Time”.

References

[1] Camacho, E. F. and C. Bordons. *Model Predictive Control*. Second Edition, London: Springer, 2007.

Extended Capabilities

C/C++ Code Generation

Generate C and C++ code using Simulink® Coder™.

See Also

Blocks

Smith Predictor Controller | State-Feedback Controller

Introduced in R2017b

S-R Latch

Behavioral model of an S-R Latch

Library: Simscape / Electrical / Integrated Circuits / Logic



Description

The S-R Latch block is an abstracted behavioral model of a set-reset latch. It does not model the internal individual MOSFET devices (see “Assumptions and Limitations” on page 1-1371 for details). Therefore, the block runs quickly during simulation but retains the correct I/O behavior.

If the gate voltage is greater than the threshold voltage V_{TH} , then the input taken is 1 (HIGH). Otherwise, the input is zero (LOW). The gate threshold voltage V_{TH} is halfway between the **Low level input voltage** (V_{IL}) and **High level input voltage** (V_{IH}) parameters.

The block output logic level is either HIGH or LOW, according to the logic levels of the gate inputs and the S-R latch truth table.

S	R	Q _n
0	0	Q _{n-1}
0	1	0
1	0	1
1	1	1

The block models the gate as follows:

- The gate inputs have infinite resistance and finite or zero capacitance.
- The gate output offers a selection of two models: **Linear** and **Quadratic**. For more information, see “Selecting the Output Model for Logic Blocks”. Use the **Output current-voltage relationship** parameter to specify the output model.
- You can specify propagation delay for both output models. For **Linear** output, the block sets the value of the gate output capacitor such that the resistor-capacitor time constant equals the **Propagation delay** parameter value. For **Quadratic** output, the gate input demand is lagged to approximate the **Propagation delay** parameter value.

The block initial conditions depend on the output model selected:

- For **Linear** model, the high initial condition corresponds to the **High level output voltage** parameter value, V_{OH} , and the low initial condition corresponds to the **Low level output voltage** parameter value, V_{OL} .
- For **Quadratic** model, the high initial condition is a value close to the **Supply voltage** parameter value, V_{CC} , and the low initial condition is close to 0.

The block output voltage depends on the output model selected:

- For **Linear** model, output high is the **High level output voltage** parameter value, and output low is the **Low level output voltage** parameter value.
- For **Quadratic** model, the output voltage for High and Low states is a function of the output current, as explained in “Quadratic Model Output and Parameters”. For zero load current, output high is V_{cc} (the **Supply voltage** parameter value), and output low is zero volts.

Assumptions and Limitations

The block does not model the internal individual MOSFET devices that make up the gate (except for the final MOSFET pair if you select the **Quadratic** option for the **Output current-voltage relationship** parameter). This limitation has the following implications:

- The behavior of this block is abstracted. In particular, response to input noise and inputs that are around the logic threshold voltage can be inaccurate. Also, dynamic response is approximate.
- The linear drop in output voltage as a function of output current is an approximation to the MOSFET or bipolar output behavior.
- Modeling of the output as a controlled voltage source is representative of a totem-pole or push-pull output stage. To model a device with an open-collector:
 - 1 Connect the output pin to the base of an NPN Bipolar Transistor or PNP Bipolar Transistor block.
 - 2 Set the **Output resistance** parameter to a suitable value.

Ports

Conserving

S — Set pin

electrical

Electrical conserving port associated with the S-R latch set pin.

R — Reset pin

electrical

Electrical conserving port associated with the S-R latch reset pin.

Q — Output pin

electrical

Electrical conserving port associated with the S-R latch output pin.

Parameters

Inputs

Low level input voltage — Low level input voltage

2 V (default)

Voltage value less than which the block interprets the input voltage as LOW.

High level input voltage — High level input voltage

3 V (default)

Voltage value greater than which the block interprets the input voltage as HIGH.

Average input capacitance — Average input capacitance

5 pF (default)

Fixed capacitance that approximates the input capacitance for a MOSFET gate. You can usually find this capacitance value on a manufacturer datasheet. Setting this value to zero can result in faster simulation times.

Outputs**Output current-voltage relationship — Output current-voltage relationship**

Linear (default) | Quadratic

Select the output model:

- Linear - This is the default value.
- Quadratic

Low level output voltage — Low level output voltage

0 V (default)

Voltage value at the output when the output logic level is LOW.

Dependencies

This parameter is visible only when you select Linear for the **Output current-voltage relationship** parameter.

High level output voltage — High level output voltage

5 V (default)

Voltage value at the output when the output logic level is HIGH.

Dependencies

This parameter is visible only when you select Linear for the **Output current-voltage relationship** parameter.

Output resistance — Output resistance

25 Ohm (default)

Value of the series output resistor that is used to model the drop in output voltage resulting from the output current. You can derive this value from a datasheet by dividing the high-level output voltage by the maximum low-level output current.

Dependencies

This parameter is visible only when you select Linear for the **Output current-voltage relationship** parameter.

Supply voltage — Supply voltage

5 V (default)

Supply voltage value applied to the gate in your circuit.

Dependencies

This parameter is visible only when you select Quadratic for the **Output current-voltage relationship** parameter.

Measurement voltage — Measurement voltage

5 V (default)

The gate supply voltage for which mask data output resistances and currents are defined.

Dependencies

This parameter is visible only when you select Quadratic for the **Output current-voltage relationship** parameter.

Logic HIGH output resistance at zero current and at I_{OH} — Logic HIGH output resistance at zero current and at I_{OH}

[25, 250] Ohm

A row vector [R_{OH1} R_{OH2}] of two resistance values. The first value R_{OH1} is the gradient of the output voltage-current relationship when the gate is logic HIGH and there is no output current. The second value R_{OH2} is the gradient of the output voltage-current relationship when the gate is logic HIGH and the output current is I_{OH} .

Dependencies

This parameter is visible only when you select Quadratic for the **Output current-voltage relationship** parameter.

Logic HIGH output current I_{OH} when shorted to ground — Logic HIGH output current I_{OH} when shorted to ground

63 mA (default)

The resulting current when the gate is in the logic HIGH state, but the load forces the output voltage to zero.

Dependencies

This parameter is visible only when you select Quadratic for the **Output current-voltage relationship** parameter.

Logic LOW output resistance at zero current and at I_{OL} — Logic LOW output resistance at zero current and at I_{OL}

[30, 800] Ohm (default)

A row vector [R_{OL1} R_{OL2}] of two resistance values. The first value R_{OL1} is the gradient of the output voltage-current relationship when the gate is logic LOW and there is no output current. The second value R_{OL2} is the gradient of the output voltage-current relationship when the gate is logic LOW and the output current is I_{OL} .

Dependencies

This parameter is visible only when you select Quadratic for the **Output current-voltage relationship** parameter.

Logic LOW output current I_{OL} when shorted to V_{cc} — Logic LOW output current I_{OL} when shorted to V_{cc}

-45 mA (default)

The resulting current when the gate is in the logic LOW state, but the load forces the output voltage to the supply voltage V_{cc}.

Dependencies

This parameter is visible only when you select Quadratic for the **Output current-voltage relationship** parameter.

Propagation delay — Propagation delay

25 ns (default)

Time it takes for the output to swing from LOW to HIGH or HIGH to LOW after the input logic levels change.

Protection diode on resistance — Protection diode on resistance

5 Ohm (default)

The gradient of the voltage-current relationship for the protection diodes when forward biased.

Dependencies

This parameter is visible only when you select Quadratic for the **Output current-voltage relationship** parameter.

Protection diode forward voltage — Protection diode forward voltage

0.6 V (default)

The voltage above which the protection diode is turned on.

Dependencies

This parameter is visible only when you select Quadratic for the **Output current-voltage relationship** parameter.

Initial Conditions**Output initial state — Output initial state**

Low (default) | High

Specify whether the initial output state of the block is High or Low. This parameter is used for both linear and quadratic output states, provided that the **Propagation delay** parameter is greater than zero and the Solver Configuration block does not have the **Start simulation from steady state** option selected.

Extended Capabilities**C/C++ Code Generation**

Generate C and C++ code using Simulink® Coder™.

See Also

CMOS AND | CMOS Buffer | CMOS NAND | CMOS NOR | CMOS NOT | CMOS OR | CMOS XOR | Schmitt Trigger

Introduced in R2009b

Schmitt Trigger

Behavioral model of Schmitt trigger

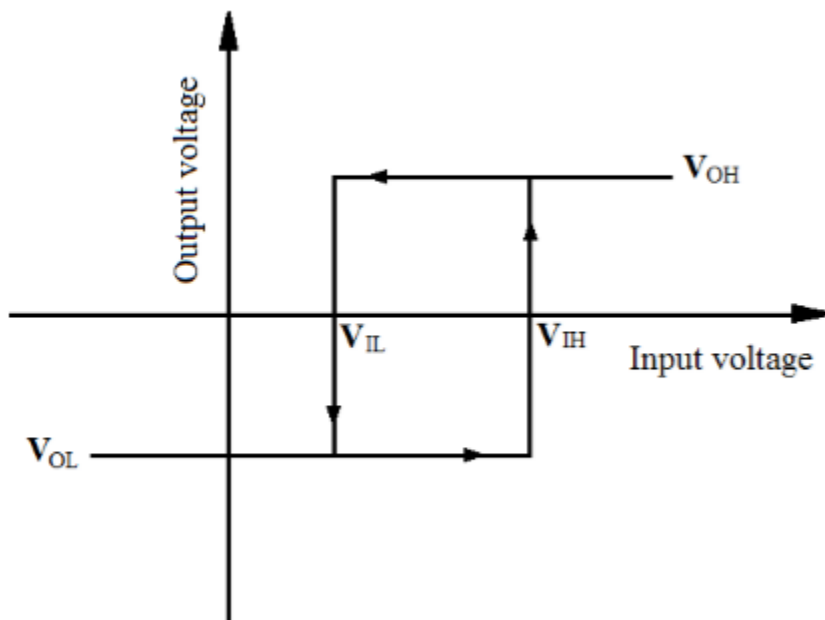
Library: Simscape / Electrical / Integrated Circuits / Logic



Description

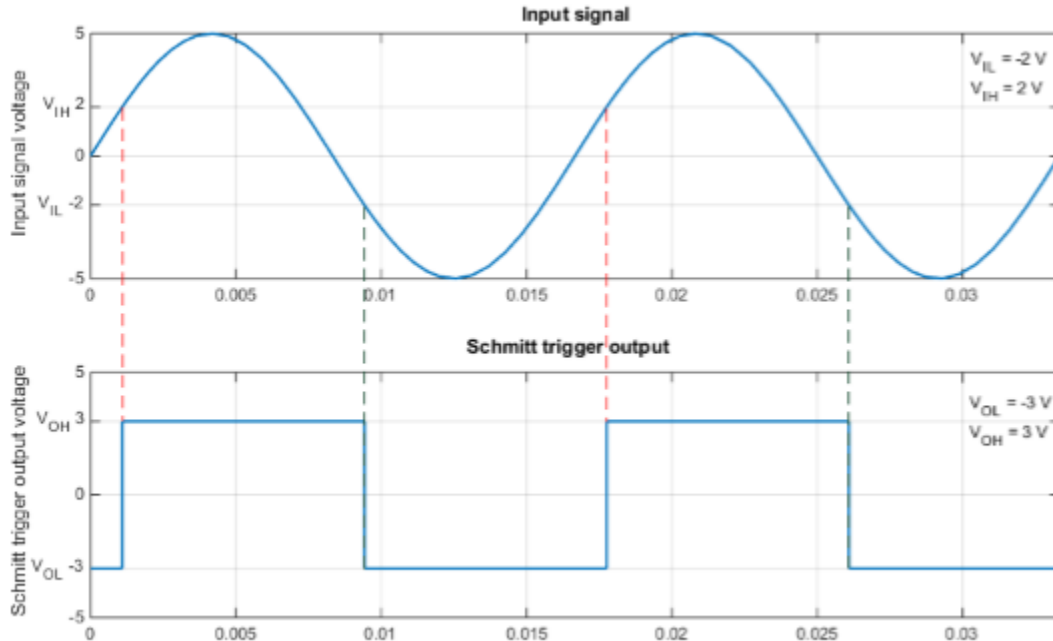
The Schmitt Trigger block implements a behavioral model of Schmitt trigger.

The block output logic level is **HIGH** when the input rises above the **High level input voltage** (V_{IH}) value and does not go **LOW** until the input falls below the lower-valued **Low level input voltage** (V_{IL}) value. This logic implements a hysteresis characteristic between input and output.



In the graphic, V_{OH} and V_{OL} correspond to the **High level output voltage** and **Low level output voltage** values, respectively.

The next figure shows a sample output of the block with parameters $V_{IH} = 2V$, $V_{IL} = -2V$, $V_{OH} = 3V$, and $V_{OL} = -3V$.



The block determines the logic levels of the gate inputs as follows:

- If the gate voltage is greater than the threshold voltage, the block interprets the input as logic 1.
- Otherwise, the block interprets the input as logic 0.

The threshold voltage is the voltage value at midpoint between the **High level input voltage** parameter value and the **Low level input voltage** parameter value.

Note To improve simulation speed, the block does not model all the internal individual MOSFET devices that make up the gate. See “Assumptions and Limitations” on page 1-1378 for details.

The block models the gate as follows:

- The gate inputs have infinite resistance and finite or zero capacitance.
- The gate output offers a selection of two models: **Linear** and **Quadratic**. For more information, see “Selecting the Output Model for Logic Blocks”. Use the **Output current-voltage relationship** parameter to specify the output model.
- You can specify propagation delay for both output models. For **Linear** output, the block sets the value of the gate output capacitor such that the resistor-capacitor time constant equals the **Propagation delay** parameter value. For **Quadratic** output, the gate input demand is lagged to approximate the **Propagation delay** parameter value.

The block output voltage depends on the output model selected:

- For **Linear** model, output high is the **High level output voltage** parameter value, and output low is the **Low level output voltage** parameter value.

- For **Quadratic** model, the output voltage for High and Low states is a function of the output current, as explained in “Quadratic Model Output and Parameters”. For zero load current, output high is V_{cc} (the **Supply voltage** parameter value), and output low is zero volts.

Assumptions and Limitations

The block does not model the internal individual MOSFET devices that make up the gate (except for the final MOSFET pair if you select the **Quadratic** option for the **Output current-voltage relationship** parameter). This limitation has the following implications:

- The block does not accurately model the gate's response to input noise and inputs that are around the logic threshold voltage.
- The block does not accurately model dynamic response.

For circuits that involve a feedback path around a set of logic gates, you might need to set a nonzero propagation delay on one or more gates.

This block is implemented using event equations. This means that you must provide an initial output state that is consistent with the block input at time zero. For example, if you set initial output state HIGH, but the initial input voltage is below the **Low level input voltage**, then the initial output stays HIGH, the state only correcting itself when the input voltage rises above the **High level input voltage** value.

Ports

Conserving

A — Input port

electrical

Electrical conserving port associated with the Schmitt Trigger input.

J — Output port

electrical

Electrical conserving port associated with the Schmitt Trigger output.

Parameters

Inputs

Low level input voltage — Low level input voltage

2 V (default)

Voltage value below which the block interprets the input voltage as logic LOW.

High level input voltage — High level input voltage

3 V (default)

Voltage value above which the block interprets the input voltage as logic HIGH.

Average input capacitance — Average input capacitance

5 pF (default)

Fixed capacitance that approximates the input capacitance for a MOSFET gate. The MOSFET capacitance depends on the applied voltage. When you drive this block with another gate, the **Average input capacitance** produces a rise time similar to that of the MOSFET. You can usually find this capacitance value on a manufacturer datasheet. Setting this value to zero may result in faster simulation times.

Outputs

Output current-voltage relationship — Output current-voltage relationship

Linear (default) | Quadratic

Select the output model:

- Linear - This is the default value.
- Quadratic

Low level output voltage — Low level output voltage

0 V (default)

Voltage value at the output when the output logic level is LOW.

Dependencies

This parameter is visible only when you select Linear for the **Output current-voltage relationship** parameter.

High level output voltage — High level output voltage

5 V (default)

Voltage value at the output when the output logic level is HIGH.

Dependencies

This parameter is visible only when you select Linear for the **Output current-voltage relationship** parameter.

Output resistance — Output resistance

25 Ohm (default)

Value of the series output resistor that is used to model the drop in output voltage resulting from the output current. You can derive this value from a datasheet by dividing the high-level output voltage by the maximum low-level output current.

Dependencies

This parameter is visible only when you select Linear for the **Output current-voltage relationship** parameter.

Supply voltage — Supply voltage

5 V (default)

Supply voltage value applied to the gate in your circuit.

Dependencies

This parameter is visible only when you select Quadratic for the **Output current-voltage relationship** parameter.

Measurement voltage — Measurement voltage

5 V (default)

The gate supply voltage for which mask data output resistances and currents are defined.

Dependencies

This parameter is visible only when you select Quadratic for the **Output current-voltage relationship** parameter.

Logic HIGH output resistance at zero current and at I_{OH} — Logic HIGH output resistance at zero current and at I_{OH}

[25, 250] Ohm

A row vector [R_{OH1} R_{OH2}] of two resistance values. The first value R_{OH1} is the gradient of the output voltage-current relationship when the gate is logic HIGH and there is no output current. The second value R_{OH2} is the gradient of the output voltage-current relationship when the gate is logic HIGH and the output current is I_{OH} .

Dependencies

This parameter is visible only when you select Quadratic for the **Output current-voltage relationship** parameter.

Logic HIGH output current I_{OH} when shorted to ground — Logic HIGH output current I_{OH} when shorted to ground

63 mA (default)

The resulting current when the gate is in the logic HIGH state, but the load forces the output voltage to zero.

Dependencies

This parameter is visible only when you select Quadratic for the **Output current-voltage relationship** parameter.

Logic LOW output resistance at zero current and at I_{OL} — Logic LOW output resistance at zero current and at I_{OL}

[30, 800] Ohm (default)

A row vector [R_{OL1} R_{OL2}] of two resistance values. The first value R_{OL1} is the gradient of the output voltage-current relationship when the gate is logic LOW and there is no output current. The second value R_{OL2} is the gradient of the output voltage-current relationship when the gate is logic LOW and the output current is I_{OL} .

Dependencies

This parameter is visible only when you select Quadratic for the **Output current-voltage relationship** parameter.

Logic LOW output current I_{OL} when shorted to V_{cc} — Logic LOW output current I_{OL} when shorted to V_{cc}

-45 mA (default)

The resulting current when the gate is in the logic LOW state, but the load forces the output voltage to the supply voltage V_{cc} .

Dependencies

This parameter is visible only when you select Quadratic for the **Output current-voltage relationship** parameter.

Propagation delay — Propagation delay

25 ns (default)

Time it takes for the output to swing from LOW to HIGH or HIGH to LOW after the input logic levels change.

Protection diode on resistance — Protection diode on resistance

5 Ohm (default)

The gradient of the voltage-current relationship for the protection diodes when forward biased.

Dependencies

This parameter is visible only when you select Quadratic for the **Output current-voltage relationship** parameter.

Protection diode forward voltage — Protection diode forward voltage

0.6 V (default)

The voltage above which the protection diode is turned on.

Dependencies

This parameter is visible only when you select Quadratic for the **Output current-voltage relationship** parameter.

Initial Conditions

Output initial state — Output initial state

Low (default) | High

Specify whether the initial output state of the block is High or Low. This parameter is used for both linear and quadratic output states, provided that the **Propagation delay** parameter is greater than zero and the Solver Configuration block does not have the **Start simulation from steady state** option selected.

Extended Capabilities

C/C++ Code Generation

Generate C and C++ code using Simulink® Coder™.

See Also

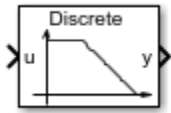
CMOS AND | CMOS Buffer | CMOS NAND | CMOS NOR | CMOS NOT | CMOS OR | CMOS XOR | S-R Latch

Introduced in R2015a

Second-Order Filter

Discrete-time or continuous-time low-pass, high-pass, band-pass, or band-stop second-order filter

Library: Simscape / Electrical / Control / General Control



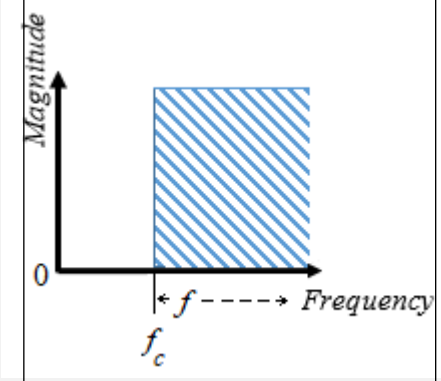
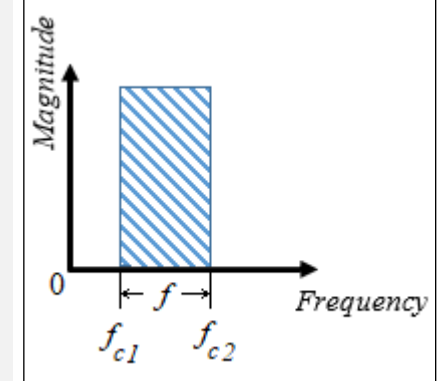
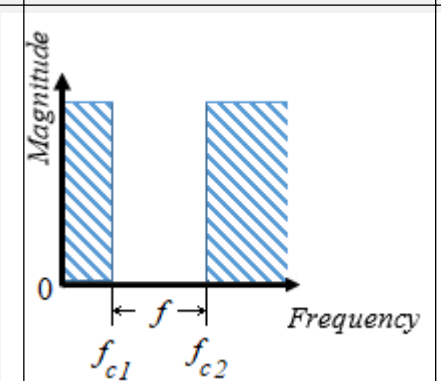
Description

The Second-Order Filter block implements different types of second-order filters. Filters are useful for attenuating noise in measurement signals.

The block provides these filter types:

- Low pass — Allows signals, f , only in the range of frequencies below the cutoff frequency, f_c , to pass.
- High pass — Allows signals, f , only in the range of frequencies above the cutoff frequency, f_c , to pass.
- Band pass — Allows signals, f , only in the range of frequencies between two cutoff frequencies, f_{c1} and f_{c2} , to pass.
- Band stop — Prevents signals, f , only in the range of frequencies between two cutoff frequencies, f_{c1} and f_{c2} , from passing.

Filter Type	Frequency Range, f	
Low-Pass		$f < f_c$

Filter Type	Frequency Range, f	
High-Pass		$f > f_c$
Band-Pass		$f_{c1} < f < f_{c2}$
Band-Stop		$f_{c1} < f < f_{c2}$

Equations

The second order derivative state equation for the filter is:

$$\frac{d^2x}{dt^2} = u - 2\zeta\omega_n\frac{dx}{dt} - \omega_n^2x$$

Where:

- x is the filter internal state.
- u is the filter input.

- ω_n is the filter natural frequency.
- ζ is the filter damping factor.

For each filter type, the table maps the block output, $y(x)$, as a function of the internal state of the filter, to the s -domain transfer function, $G(s)$.

Filter Type	Output, $y(x)$	Transfer Function, $G(s)$
Low-Pass	$\omega_n^2 x$	$\frac{\omega_n^2}{s^2 + 2\zeta\omega_n s + \omega_n^2}$
High-Pass	$\frac{d^2 x}{dt^2}$	$\frac{s^2}{s^2 + 2\zeta\omega_n s + \omega_n^2}$
Band-Pass	$2\zeta\omega_n \frac{dx}{dt}$	$\frac{2\zeta\omega_n s}{s^2 + 2\zeta\omega_n s + \omega_n^2}$
Band-Stop	$\frac{d^2 x}{dt^2} + x$	$\frac{s^2 + \omega_n^2}{s^2 + 2\zeta\omega_n s + \omega_n^2}$

For Initialization:

$$\dot{x}(0) = \left. \frac{dx}{dt} \right|_{t=0}$$

$$u(0) = u_1(0) + u_2(0)$$

$$u_1(0) = A_0 e^{j\varphi_0}$$

$$u_2(0) = b_0 e^{j\frac{\pi}{2}}$$

Where:

- $x(0)$ is the initial state of the filter.
- $u(0)$ is the initial input to the filter.
- $u_1(0)$ is the AC component of the steady-state initial input.
- A_0 is the initial amplitude.
- φ_0 is the initial phase.
- $u_2(0)$ is the DC component of the steady-state initial input.
- b_0 is the initial bias.

In the s -domain $s = j\omega_0$. Therefore, for the initial frequency, ω_0 :

$$\dot{x}(0) = \text{Im} \left(\frac{j\omega_0 u_1(0)}{-\omega_0^2 + j\omega_0 2\zeta\omega_n + \omega_n^2} \right)$$

$$x(0) = \text{Im} \left(\frac{\dot{x}(0)\omega_n^2}{j\omega_0} + u_2(0) \right)$$

Ports

Input

u – Filter input

scalar

Filter input.

Data Types: single | double

Output

y – Filtered output

scalar

Filtered output.

Data Types: single | double

Parameters

Main

Filter type – Filter type

Low-pass (default) | High-pass | Band-pass | Band-stop

Type of second-order filter.

Natural frequency (Hz) – Natural frequency

60 (default) | positive scalar

Natural frequency, in Hz.

Initial Conditions

Damping factor – Damping factor

0.707 (default) | nonnegative scalar

Damping factor of the filter.

Sample time (-1 for inherited) – Block sample time

-1 (default) | 0 | positive scalar

Time between consecutive block executions. During execution, the block produces outputs and, if appropriate, updates its internal state. For more information, see “What Is Sample Time?” and “Specify Sample Time”.

For inherited discrete-time operation, specify -1. For discrete-time operation, specify a positive integer. For continuous-time operation, specify 0.

If this block is in a masked subsystem, or other variant subsystem that allows you to switch between continuous operation and discrete operation, promote the sample time parameter. Promoting the sample time parameter ensures correct switching between the continuous and discrete implementations of the block. For more information, see “Promote Parameter to Mask”.

Initial amplitude – Initial amplitude

0 (default) | nonnegative scalar

Amplitude at the start of simulation.

Initial phase (rad) – Initial phase

0 (default) | nonnegative scalar

Phase, in rad, at the start of simulation.

Initial frequency (Hz) – Initial frequency

0 (default) | scalar

Frequency, in Hz, at the start of simulation.

Initial bias – Initial bias

0 (default) | nonnegative scalar

Bias at the start of simulation.

References

[1] Agarwal, A. and Lang, J. H. *Foundations of Analog and Digital Electronic Circuits*. New York: Elsevier, 2005.

Extended Capabilities**C/C++ Code Generation**

Generate C and C++ code using Simulink® Coder™.

See Also

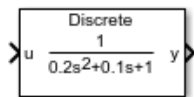
Low-Pass Filter (Discrete or Continuous) | SM PSS1A | Second-Order Low-Pass Filter (Discrete or Continuous) | Variable-Frequency Second-Order Filter | Washout (Discrete or Continuous)

Introduced in R2018b

Second-Order Low-Pass Filter (Discrete or Continuous)

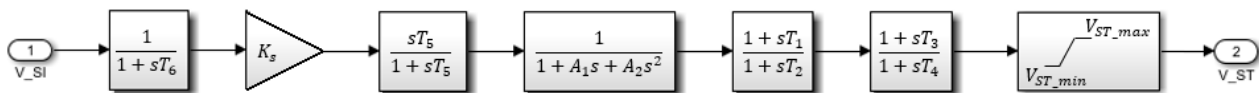
Discrete-time or continuous-time second-order low-pass filter

Library: Simscape / Electrical / Control / General Control



Description

The Second-Order Low-Pass Filter (Discrete or Continuous) block implements a second-order low pass filter in conformance with IEEE Std 421.5-2016^[1]. In the standard, the filter is a single input, single output signal conditioner that is used in the Power System Stabilizer PSS1A.



In the PSS1A, the filter accounts for some of the low-frequency effects of high-frequency torsional filters. It can also help shape the gain and phase characteristics of the stabilizer.

To switch between continuous and discrete implementations of the Second-Order Low-Pass Filter (Discrete or Continuous) block, adjust the **Sample time** parameter value.

Initial Conditions

To specify the initial conditions of this block, set **Initialization** to:

- **Inherited from block input** — The block sets the state and output initial conditions to the initial input.
- **Specify as parameter** — The block sets the state initial condition to the value of **Initial state**.

Ports

Input

u — Filter input

scalar or vector

Filter input.

Data Types: single | double

Output

y — Filtered output

scalar or vector

Filtered output. The output has the same number of elements as the input.

Data Types: `single` | `double`

Parameters

Coefficient of s , $A1$ — $A1$ coefficient

0.1 (default) | positive scalar

$A1$, the signal conditioning frequency filter coefficient of s .

Coefficient of s^2 , $A2$ — $A2$ coefficient

0.2 (default) | positive scalar

$A2$, the signal conditioning frequency filter coefficient of s^2 .

Initialization — Initial state specification

Inherited from block input (default) | Specify as parameter

Specify the initial state condition for this block. For more information, see “Initial Conditions” on page 1-1387.

Initial state — Initial state

0 (default) | real number

Block initial state.

Dependencies

To enable this parameter, set **Initialization** to Specify as parameter.

Sample time (-1 for inherited) — Block sample time

-1 (default) | 0 | positive scalar

Time between consecutive block executions. During execution, the block produces outputs and, if appropriate, updates its internal state. For more information, see “What Is Sample Time?” and “Specify Sample Time”.

For inherited discrete-time operation, specify -1. For discrete-time operation, specify a positive integer. For continuous-time operation, specify 0.

If this block is in a masked subsystem, or other variant subsystem that allows you to switch between continuous operation and discrete operation, promote the sample time parameter. Promoting the sample time parameter ensures correct switching between the continuous and discrete implementations of the block. For more information, see “Promote Parameter to Mask”.

References

- [1] *IEEE Recommended Practice for Excitation System Models for Power System Stability Studies*. IEEE Std 421.5-2016. Piscataway, NJ: IEEE-SA, 2016.

Extended Capabilities

C/C++ Code Generation

Generate C and C++ code using Simulink® Coder™.

See Also

Low-Pass Filter (Discrete or Continuous) | SM PSS1A | Second-Order Filter | Variable-Frequency Second-Order Filter | Washout (Discrete or Continuous)

Introduced in R2018b

Secondary Winding

(To be removed) Linear nonideal transformer winding

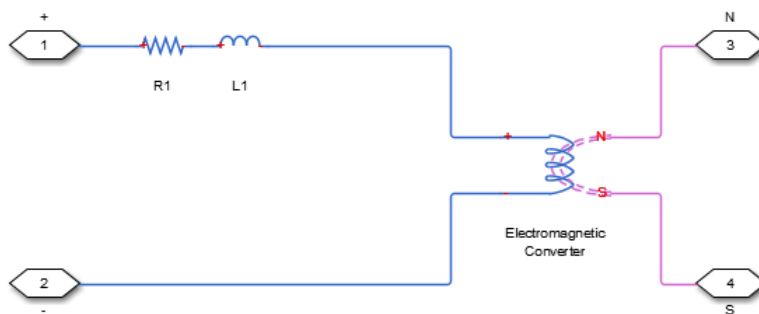
Note The Secondary Winding block will be removed in a future release. Use the Winding block instead. To learn how to create a custom transformer without this block, refer to “Push-Pull Buck Converter in Continuous Conduction Mode”.

Library

Simscape / Electrical / Power Systems / Passive Devices / Transformers / Fundamental Components

Description

The Secondary Winding block models linear nonideal winding of a transformer with linear winding leakage effects. The figure shows the equivalent circuit diagram for the secondary winding.



- R_1 is the leakage resistance.
- L_1 is the leakage inductance.

Variables

Use the **Variables** settings to specify the priority and initial target values for the block variables before simulation. For more information, see “Set Priority and Initial Target for Block Variables”.

Ports

- +
- Positive electrical conserving port
-
- Negative electrical conserving port
- N
- North magnetic conserving port

S

South magnetic conserving port

Parameters

Main

Number of winding turns

Number of wire turns on the transformer winding. The default value is 10.

Leakage resistance

Power loss in the winding. The default value is $1e-3$ Ohm.

Leakage inductance

Magnetic flux loss in the winding. The default value is $1e-3$ H.

Extended Capabilities

C/C++ Code Generation

Generate C and C++ code using Simulink® Coder™.

See Also

Electromagnetic Converter | Winding

Topics

“Three-Phase Custom Zigzag Transformer”

“Push-Pull Buck Converter in Continuous Conduction Mode”

“Push-Pull Buck Converter in Discontinuous Conduction Mode”

Introduced in R2013b

Sequence Analyzer

Calculate the magnitude and phase of the positive, negative, or zero sequence of a three-phase signal

Library: Simscape / Electrical / Control / Measurements



Description

The Sequence Analyzer block takes a three-phase signal (usually voltage) as the input and outputs the magnitude and phase of the positive, negative, or zero sequence.

The input signals are first converted to phasor representation based on the base frequency and harmonic specified in the block mask. The block then transforms the phasor into a sequence of components..

You can represent the zero, positive, and negative sequence components with V_0 , V_1 , V_2 in phasor representation; V_a , V_b , V_c are the voltage of three phases. The sequence components are computed as:

$$\begin{bmatrix} V_0 \\ V_1 \\ V_2 \end{bmatrix} = \frac{1}{3} \begin{bmatrix} 1 & 1 & 1 \\ 1 & a & a^2 \\ 1 & a^2 & a \end{bmatrix} \begin{bmatrix} V_a \\ V_b \\ V_c \end{bmatrix}$$

where $a = e^{j\frac{2\pi}{3}}$.

Limitations

- Because the computation of the three-phase signal requires integration over a full cycle, the output of the sequence analyzer is not accurate during the first period.
- If the base frequency or the harmonic change during the simulation, the output signal is not accurate.

Ports

Input

u — Periodic input signal

vector

Periodic input signal, specified as a vector of three elements.

Output

mag — Magnitude

scalar | vector

Magnitude of the positive, negative, or zero sequence. Depending on the harmonic numbers, this output is a scalar or a vector.

angle — Phase shift

scalar | vector

Phase shift, in degrees, of the positive, negative, or zero sequence. Depending on the harmonic numbers, this output is a scalar or a vector.

Parameters

Base frequency (Hz) — Base frequency

60 (default)

Base frequency of the input signal in Hz.

Harmonic numbers — Harmonic numbers

[1 2] (default) | scalar or vector

Scalar or vector of the harmonic numbers. 1 stands for base frequency and 2 is the second harmonic.

Sequence — Sequence selection

Positive (default) | Negative | Zero

Select whether the magnitude and phase of the sequence is positive, negative or zero.

Sample Time (s) — Block sample time

0 (default)

Time between consecutive block executions. During execution, the block produces outputs and, if appropriate, updates its internal state. For more information, see “What Is Sample Time?” and “Specify Sample Time”.

For inherited discrete-time operation, specify -1. For discrete-time operation, specify a positive integer. For continuous-time operation, specify 0.

If this block is in a masked subsystem, or other variant subsystem that allows you to switch between continuous operation and discrete operation, promote the sample time parameter. Promoting the sample time parameter ensures correct switching between the continuous and discrete implementations of the block. For more information, see “Promote Parameter to Mask”.

Extended Capabilities

C/C++ Code Generation

Generate C and C++ code using Simulink® Coder™.

See Also

Introduced in R2019b

Serial-In Parallel-Out Shift Register

Discrete-time serial-in, parallel-out shift register

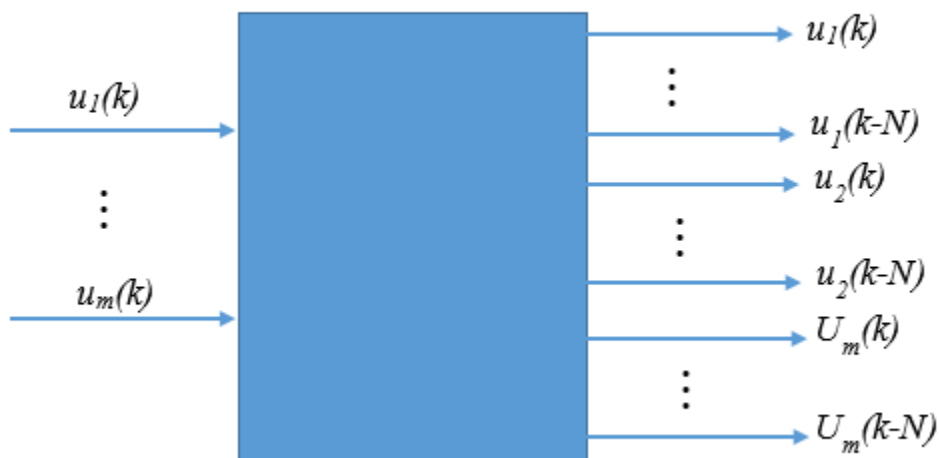
Library: Simscape / Electrical / Control / General Control



Description

The Serial-In Parallel-Out Shift Register block implements a serial-in parallel-out shift register in discrete time. You can use a shift register to convert between serial and parallel interfaces or to implement a circuit delay or hardware stack.

This block outputs a vector of last N samples of the input signal. If the input signal is a vector, the block outputs the last N samples of each input signal.



Ports

Input

u – Serial input

scalar | vector

Serial input signal.

Data Types: single | double

Output

y — Parallel output

vector

Parallel output signal.

Data Types: `single` | `double`

Parameters

Number of samples — Number of input samples

4 (default) | positive integer

Number of register stages or samples.

Initial condition — Initial value of the input sample

0 (default) | real number

Initial value of the $N-1$ samples preceding simulation start time. The value must be a scalar or a vector of the same size as the input signal.

Sample time (-1 for inherited) — Block sample time

-1 (default) | 0 | positive scalar

Time between consecutive block executions. During execution, the block produces outputs and, if appropriate, updates its internal state. For more information, see “What Is Sample Time?” and “Specify Sample Time”.

For inherited discrete-time, specify -1. For discrete-time, specify a positive integer. For continuous-time, specify 0.

Extended Capabilities

C/C++ Code Generation

Generate C and C++ code using Simulink® Coder™.

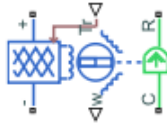
See Also

Introduced in R2018b

Motor & Drive (System Level)

Generic motor and drive with closed-loop torque control

Library: Simscape / Electrical / Electromechanical / System-Level Modeling

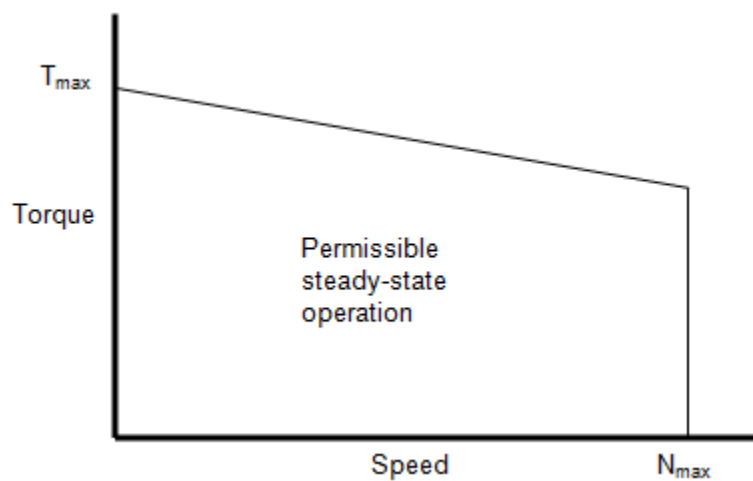


Description

The Motor & Drive (System Level) block represents a generic motor and drive with closed-loop torque control. Use this block to model a brushless motor (such as a PMSM) and drive, or, more generally, traction and actuation systems implemented using a wide range of motor types.

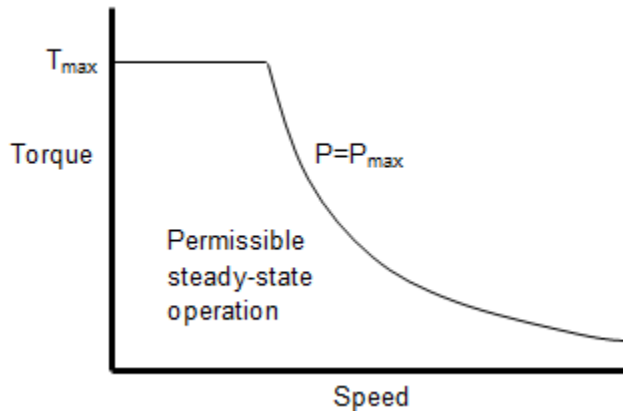
To enable fast simulation at a system level, this block abstracts the motor, drive electronics, and control.

The block permits only the range of torques and speeds that the torque-speed envelope defines. In the default block configuration, you specify this data in the block dialog box as a set of speed data points and corresponding maximum torque values. The following figure shows a typical torque-speed envelope for a torque-controlled motor and drive.



Specify the torque-speed envelope for the positive torque region only, that is, quadrants 1 and 4. If you specify only for positive speeds (quadrant 1 or, equivalently, the motoring region), then the quadrant 4 torque envelope is defined by the block as the mirror image of quadrant 1. The motor torque-speed envelope has the same profile when the motor is operating in a reverse direction (quadrants 2 and 3).

Instead of providing tabulated torque-speed data, you can specify a maximum torque and a maximum power. This results in the torque-speed envelope profile shown below. The other three operating quadrants are constrained by this same profile.



The block produces a positive torque acting from the mechanical C to R ports.

Intermittent Over-Torque Operation

To over-torque the motor for short periods of time, set the **Allow intermittent over-torque** parameter to **Yes**. In this case, you must specify the values for both the **Continuous operation maximum torque envelope** and the **Intermittent operation maximum torque envelope** parameters. Internally the block determines which torque envelope to apply based on the torque demand history. You can over-torque the motor drive if the torque demand has been less than the continuous operation torque envelope for more than the value specified in the **Recovery time** parameter. Over-torquing is disabled if over-torquing has been applied for longer than the value specified in the **Over-torque time limit** parameter.

For more application specific management of over-torquing, disable the over-torquing in the Motor & Drive block and externally implement the torque limiting in Simulink between the torque demand and the torque reference input port, **Tr**, of the Motor & Drive block.

Modeling Electrical Losses

The block allows both simplified and tabulated definition of electrical losses. The default, simplified, behavior is to model the losses as the sum of the following four terms:

- A series resistance between the DC power supply and the motor drive.
- Fixed losses independent of torque and speed, P_0 . Use this to account for fixed converter losses.
- A torque-dependent electrical loss $k\tau^2$, where τ is the torque and k is a constant. This represents ohmic losses in the copper windings.
- A speed-dependent electrical loss $k_w\omega^2$, where ω is the speed and k_w is a constant. This represents iron losses due to eddy currents.

This simplification of loss dependency on torque and speed might be sufficient for early design work, regardless of the underlying motor type and drive topology.

If you require more accuracy, or later in the design process, you can provide tabulated loss values as a function of motor speed and load torque. When using this option, provide data for all of the operating quadrants that your simulation will run in. If you provide partial data (for example, just for the quadrant 1 forward motoring region), then the other quadrants are assumed to repeat the same pattern of losses. This will normally be correct for the reverse motoring region, but may be an

approximation for the braking/generating quadrants. The block does no extrapolation of loss values for speed and torque magnitudes that exceed the range of the table.

Finally, you can specify electrical losses by using tabulated efficiency data, instead of a single efficiency measurement or tabulated loss data. When using this option, also provide data for all of the operating quadrants that your simulation will run in. If you provide partial data (for example, just for the quadrant 1 forward motoring region), then the other quadrants are assumed to repeat the same pattern of losses.

The best practice is to provide tabulated loss data as a function of speed and torque, rather than tabulated efficiency data, because:

- Efficiency becomes ill-defined for zero speed or zero torque.
- Using losses, you can also account for fixed losses that are still present for zero speed or torque.

If you use the tabulated efficiencies option:

- The block converts the efficiency values you provide into losses and uses the tabulated losses for simulation.
- Efficiency values you provide for zero speed or zero torque are ignored, and losses are assumed zero when either torque or speed is zero.
- The block uses linear interpolation to determine losses. Provide tabulated data for low speeds and low torques, as required, to get the desired level of accuracy for lower power conditions.
- The block does no extrapolation of loss values for speed and torque magnitudes that exceed the range of the table.

When you provide tabulated loss or efficiency data, you can also specify it as a function of speed, load torque, and DC supply voltage. This option is useful when the supply voltage is not regulated and can vary during the simulation. One example is an electric vehicle drivetrain that does not have a DC-DC regulator upstream of the motor drive. Use the Simplified PMSM Drive block to model the motor drive and provide tabulated loss or efficiency values as a function of motor speed, load torque, and DC supply voltage.

Block Variants

The block provides four modeling variants, accessible by right-clicking the block in your block diagram and then selecting the appropriate option from the context menu, under **Simscape > Block choices**:

- **No thermal port** — Basic model that does not simulate faults or thermal effects. This is the default.
- **Show thermal port** — Model with exposed thermal port. This model does not simulate faults.
- **Faultable| No thermal port** — Model with exposed fault control port. This model does not simulate thermal effects.
- **Faultable | Show thermal port** — Model that lets you simulate both faults and thermal effects. Both the thermal port and the fault input port are exposed.

Thermal Ports

The block has an optional thermal port, hidden by default. To expose the thermal port, select one of the block variants that model thermal effects, as described in “Block Variants” on page 1-1398. This

action displays the thermal port **H** on the block icon, and exposes the **Temperature Dependence** and **Thermal Port** parameters. These parameters are described further on this reference page.

Use the thermal port to simulate the effects of copper resistance losses that convert electrical power to heat. For more information on using thermal ports in actuator blocks, see “Simulating Thermal Effects in Rotational and Translational Actuators”.

Simulating Faults

You can use the physical signal input port **F** to simulate servomotor failure, as well as connecting and disconnecting the DC supply. You cannot simulate disconnecting the DC supply by simply opening a switch, because there must be a finite voltage on the servomotor terminals, producing the current that balances the electrical and mechanical power.

To expose the fault control port, select one of the faultable block variants, as described in “Block Variants” on page 1-1398. This action displays the physical signal input port **F** on the block icon, and adds the **Faults** tab to the block dialog box. This tab is described further on this reference page.

If a signal is connected to port **F**, then the block operates according to the parameter settings on the **Faults** tab. For example, if **Fault condition** is Faulted if $F \geq \text{Fault threshold}$, then when the signal at port **F** rises above the **Fault threshold** value, the servomotor stops operating, zero current is taken from the supply side, and zero current is supplied to the load side.

Variables

Use the **Variables** settings to specify the priority and initial target values for the block variables before simulation. For more information, see “Set Priority and Initial Target for Block Variables”.

Assumptions and Limitations

- The motor driver tracks a torque demand with a time constant T_c .
- Motor speed fluctuations due to mechanical load do not affect the motor torque tracking.

Ports

Input

Tr — Reference torque demand

physical

Physical input port associated with the reference torque demand.

F — Servomotor failure port

physical

Physical input port associated with the servomotor failure simulation.

Dependencies

This port is visible only when you choose the faultable block variant, as described in “Block Variants” on page 1-1398..

Output

W – Mechanical speed output

physical

Physical output port associated with the mechanical speed.

Conserving

+ – Positive electrical DC supply

electrical

Electrical conserving port associated with the positive electrical DC supply.

- – Negative electrical DC supply

electrical

Electrical conserving port associated with the negative electrical DC supply.

C – Motor case

mechanical

Mechanical rotational conserving port associated with the motor case.

R – Motor rotor

mechanical

Mechanical rotational conserving port associated with the motor rotor.

Parameters

Electrical Torque

Parameterize by – Parameterize by

Tabulated torque-speed envelope (default) | Maximum torque and power

Select one of the following methods for block parameterization:

- **Tabulated torque-speed envelope** – Provide the vectors of rotational speeds and corresponding maximum torque values. This is the default option.
- **Maximum torque and power** – Define the torque-speed envelope by providing values for maximum permissible torque and motor power.

Allow intermittent over-torque – Intermittent over-torque option

No (default) | Yes

Whether to allow intermittent over-torque. For more information on over-torquing, see “Intermittent Over-Torque Operation” on page 1-1397.

Continuous operation maximum torque envelope – Vector of maximum torque values for continuous operation

[.09, .08, .07, 0] N*m (default)

Maximum torque values for permissible steady-state operation. These values correspond to the speeds in the **Corresponding rotational speeds** parameter and define the torque-speed envelope for the motor.

Dependencies

To enable this parameter, set **Parameterize by** to Tabulated torque-speed envelope.

Intermittent operation maximum torque envelope – Vector of maximum torque values for intermittent operation

[.36, .32, .28, 0] N*m (default)

Maximum torque values during intermittent over-torquing operation.

Dependencies

To enable this parameter, set **Parameterize by** to Tabulated torque-speed envelope and **Allow intermittent over-torque** to Yes.

Corresponding rotational speeds – Vector of rotational speeds

[0, 3750, 7500, 8000] rpm (default)

Rotational speeds for permissible steady-state operation. To avoid poor performance due to an infinite slope in the torque-speed curve, specify a vector of rotational speeds that does not contain duplicate consecutive values.

Dependencies

To enable this parameter, set **Parameterize by** to Tabulated torque-speed envelope.

Continuous operation maximum torque – Maximum torque for continuous operation

0.1 N*m (default)

Maximum permissible motor torque during continuous operation.

Dependencies

To enable this parameter, set **Parameterize by** to Maximum torque and power.

Continuous operation maximum power – Maximum power for continuous operation

30 W (default)

Maximum permissible motor power during continuous operation.

Dependencies

To enable this parameter, set **Parameterize by** to Maximum torque and power.

Intermittent operation maximum torque – Maximum torque for intermittent operation

0.4 N*m (default)

Maximum permissible motor torque during intermittent over-torquing operation.

Dependencies

To enable this parameter, set **Parameterize by** to Maximum torque and power and **Allow intermittent over-torque** to Yes.

Intermittent operation maximum power — Maximum power for intermittent operation
120 W (default)

Maximum permissible motor power during intermittent over-torquing operation.

Dependencies

To enable this parameter, set **Parameterize by** to Maximum torque and power and **Allow intermittent over-torque** to Yes.

Over-torque time limit — Over-torque time limit
30 s (default)

Maximum amount of time for which you can continuously apply over-torquing.

Dependencies

To enable this parameter, set **Allow intermittent over-torque** to Yes.

Recovery time — Recovery time
60 s (default)

Amount of time for which the torque demand has to be less than the continuous operation torque envelope to be able to apply over-torquing again.

Dependencies

To enable this parameter, set **Allow intermittent over-torque** to Yes.

Torque control time constant, T_c — Torque control time constant
0.02 s (default)

Time constant with which the motor driver tracks a torque demand.

Electrical Losses**Parameterize losses by — Electrical loss parameterization**

Single efficiency measurement (default) | Tabulated loss data as a function of speed and torque | Tabulated efficiency data as a function of speed and torque | Tabulated loss data as a function of speed, torque, and DC supply voltage | Tabulated efficiency data as a function of speed, torque, and DC supply voltage

Select one of the following methods for electrical loss parameterization:

- **Single efficiency measurement** — Model the losses as the sum of the four terms, listed in the block description, at a single measurement point.
- **Tabulated loss data as a function of speed and torque** — Determine the losses by two-dimensional table lookup based on the provided tabulated data for motor speeds, load torques, and corresponding losses.
- **Tabulated efficiency data as a function of speed and torque** — Determine the losses by two-dimensional table lookup based on the provided tabulated data for motor speeds, load torques, and corresponding efficiencies.
- **Tabulated loss data as a function of speed, torque, and DC supply voltage** — Determine the losses by three-dimensional table lookup based on the provided tabulated data for motor speeds, load torques, DC supply voltages, and corresponding losses.

- Tabulated efficiency data as a function of speed, torque, and DC supply voltage — Determine the losses by three-dimensional table lookup based on the provided tabulated data for motor speeds, load torques, DC supply voltages, and corresponding efficiencies.

See “Modeling Electrical Losses” on page 1-1397 for details.

Motor and driver overall efficiency (percent) — Motor and driver overall efficiency
100 (default)

The block defines overall efficiency as

$$\eta = 100 \frac{\tau_0 \omega_0}{\tau_0 \omega_0 + P_0 + k\tau_0^2 + k_w \omega_0^2}$$

where:

- τ_0 represents the **Torque at which efficiency is measured**.
- ω_0 represents the **Speed at which efficiency is measured**.
- P_0 represents the **Fixed losses independent of torque or speed**.
- $k\tau_0^2$ represents the torque-dependent electrical losses.
- $k_w \omega_0^2$ represents the speed-dependent iron losses.

At initialization, the block solves the efficiency equation for k . The block neglects losses associated with the rotor damping.

Dependencies

This parameter is visible only when you set the **Parameterize losses by** parameter to Single efficiency measurement.

Speed at which efficiency is measured — Speed at which efficiency is measured
3750 rpm (default)

Speed that the block uses to calculate torque-dependent electrical losses.

Dependencies

This parameter is visible only when you set the **Parameterize losses by** parameter to Single efficiency measurement.

Torque at which efficiency is measured — Torque at which efficiency is measured
0.08 Nm (default)

Torque that the block uses to calculate torque-dependent electrical losses.

Dependencies

This parameter is visible only when you set the **Parameterize losses by** parameter to Single efficiency measurement.

Iron losses — Iron losses
0 W (default)

Iron losses at the speed and torque at which efficiency is defined.

Dependencies

This parameter is visible only when you set the **Parameterize losses by** parameter to Single efficiency measurement.

Fixed losses independent of torque and speed – Fixed losses independent of torque and speed

0 W (default)

Fixed electrical loss associated with the driver when the motor current and torque are zero.

Dependencies

This parameter is visible only when you set the **Parameterize losses by** parameter to Single efficiency measurement.

Vector of speeds (w) for tabulated losses – Vector of speeds (w) for tabulated losses

[-8000, -4000, 0, 4000, 8000] rpm (default)

The vector of speed values, to be used for table lookup when calculating losses.

Dependencies

This parameter is visible only when you set the **Parameterize losses by** parameter to Tabulated loss data as a function of speed and torque, Tabulated loss data as a function of speed, torque, and DC supply voltage, Tabulated efficiency data as a function of speed and torque, or Tabulated efficiency data as a function of speed, torque, and DC supply voltage.

Vector of torques (T) for tabulated losses – Vector of torques (T) for tabulated losses

[0, .03, .06, .09] Nm (default)

The vector of speed values, to be used for table lookup when calculating losses.

Dependencies

This parameter is visible only when you set the **Parameterize losses by** parameter to Tabulated loss data as a function of speed and torque, Tabulated loss data as a function of speed, torque, and DC supply voltage, Tabulated efficiency data as a function of speed and torque, or Tabulated efficiency data as a function of speed, torque, and DC supply voltage.

Vector of DC supply voltages (v) for tabulated losses – Vector of DC supply voltages (v) for tabulated losses

[100, 250, 400] V (default)

The vector of DC supply voltages, to be used for table lookup when calculating losses.

Dependencies

This parameter is visible only when you set the **Parameterize losses by** parameter to Tabulated loss data as a function of speed, torque, and DC supply voltage or Tabulated efficiency data as a function of speed, torque, and DC supply voltage.

Corresponding losses, $P(w,T)$ — Corresponding losses

[1.49, 1.67, 2.21, 3.1; .42, .69, 1.14, 2.03; .06, .24, .78, 1.68; .42, .69, 1.14, 2.03; 1.49, 1.67, 2.21, 3.1] W (default)

Tabulated values for electrical losses as a function of speed and torque, to be used for 2D table lookup. Each value in the matrix specifies the losses for a specific combination of speed and torque. The matrix size must match the dimensions defined by the speed and torque vectors.

Dependencies

This parameter is visible only when you set the **Parameterize losses by** parameter to Tabulated loss data as a function of speed and torque.

Corresponding efficiency (percent), $E(w,T)$ — Corresponding efficiency (percent), $E(w,T)$

[95, 95, 95, 95; 95, 95, 95, 95; 95, 95, 95, 95; 95, 95, 95, 95; 95, 95, 95, 95] (default)

Tabulated efficiency values, in percent, as a function of speed and torque, to be used for 2D table lookup. Each value in the matrix specifies the efficiency for a specific combination of speed and torque. The matrix size must match the dimensions defined by the speed and torque vectors. Efficiency values you provide for zero speed or zero torque are ignored, and losses are assumed zero when either torque or speed is zero. The block uses linear interpolation to determine losses. Provide tabulated data for low speeds and low torques, as required, to get the desired level of accuracy for lower power conditions.

Dependencies

This parameter is visible only when you set the **Parameterize losses by** parameter to Tabulated efficiency data as a function of speed and torque.

Corresponding losses, $P(w,T,v)$ — Corresponding losses, $P(w,T,v)$

ones(5, 4, 3) W (default)

Tabulated values for electrical losses as a function of speed, torque, and DC supply voltage, to be used for 3D table lookup. Each value in the matrix specifies the losses for a specific combination of speed, torque, and DC supply voltage. The matrix size must match the dimensions defined by the three vectors.

Dependencies

This parameter is visible only when you set the **Parameterize losses by** parameter to Tabulated loss data as a function of speed, torque, and DC supply voltage.

Corresponding efficiency (percent), $E(w,T,v)$ — Corresponding efficiency (percent), $E(w,T,v)$

95 * ones(5, 4, 3) (default)

Tabulated efficiency values, in percent, as a function of speed, torque, and DC supply voltage, to be used for 3D table lookup. Each value in the matrix specifies the efficiency for a specific combination of speed, torque, and DC supply voltage. The matrix size must match the dimensions defined by the three vectors. Efficiency values you provide for zero speed or zero torque are ignored, and losses are assumed zero when either torque or speed is zero. The block uses linear interpolation to determine losses. Provide tabulated data for low speeds and low torques, as required, to get the desired level of accuracy for lower power conditions.

Dependencies

This parameter is visible only when you set the **Parameterize losses by** parameter to Tabulated efficiency data as a function of speed, torque, and DC supply voltage.

Supply series resistance — Supply series resistance

0 Ohm (default)

The equivalent resistance used in series with the DC supply to model electrical losses that are proportional to the driver supply current. The block assumes that the DC supply current is approximately constant under constant load conditions.

Faults

Fault condition — Fault condition

Faulted if $F \geq$ Fault threshold (default) | Faulted if $F \leq$ Fault threshold

Selects whether the fault is triggered by a signal that is high or low:

- Faulted if $F \geq$ Fault threshold — Simplified PMSM Drive block is disabled if the signal at port **F** rises above the threshold value.
- Faulted if $F \leq$ Fault threshold — Simplified PMSM Drive block is disabled if the signal at port **F** falls below the threshold value.

Fault threshold — Fault threshold

0.5 (default)

The threshold value used to detect a fault.

Mechanical

Rotor inertia — Rotor inertia

5e-6 kg*m² (default)

Rotor resistance to change in motor motion. The value can be zero.

Rotor damping — Rotor damping

1e-5 N*m/(rad/s) (default)

Rotor damping. The value can be zero.

Initial rotor speed — Initial rotor speed

0 rpm (default)

Rotor speed at the start of the simulation.

Temperature Dependence

Resistance temperature coefficient — Resistance temperature coefficient

3.93e-3 1/K (default)

Parameter α in the equation defining resistance as a function of temperature, as described in “Thermal Model for Actuator Blocks”. This parameter is visible only if the **Parameterize losses by** parameter on the **Electrical Losses** tab is set to Single efficiency measurement. The default value is for copper.

Dependencies

This parameter is visible only when you set the **Parameterize losses by** parameter on the **Electrical Losses** setting to Single efficiency measurement.

Measurement temperature – Measurement temperature

25 degC (default)

The temperature for which motor parameters are defined. If you parameterize electrical losses by tabulated loss data, then this is the temperature for which the **Corresponding losses, P(w,T)** are given on the **Electrical Losses** tab.

Second measurement temperature – Second measurement temperature

125 degC (default)

The temperature for which the **Corresponding losses, P(w,T), at second measurement temperature** are given.

Dependencies

This parameter is visible only when you set the **Parameterize losses by** parameter on the **Electrical Losses** setting to Tabulated loss data.

Corresponding losses, P(w,T), at second measurement temperature – Corresponding losses, P(w,T), at second measurement temperature

[1.49, 1.74, 2.49, 3.74; .42, .67, 1.42, 2.67; .06, .31, 1.06, 2.31; .42, .67, 1.42, 2.67; 1.49, 1.74, 2.49, 3.74] W (default)

Iron losses at the second measurement temperature, corresponding to the speed and torque tabulated values on the **Electrical Losses** tab.

Dependencies

This parameter is visible only when you set the **Parameterize losses by** parameter on the **Electrical Losses** setting to Tabulated loss data.

Corresponding efficiency (percent), E(w,T), at second measurement temperature – Corresponding efficiency (percent), E(w,T), at second measurement temperature

[95, 95, 95, 95; 95, 95, 95, 95; 95, 95, 95, 95; 95, 95, 95, 95; 95, 95, 95, 95] (default)

Tabulated efficiency values, in percent, at the second measurement temperature, corresponding to the speed and torque tabulated values on the **Electrical Losses** tab.

Dependencies

This parameter is visible only when you set the **Parameterize losses by** parameter on the **Electrical Losses** setting to Tabulated efficiency data as a function of speed and torque.

Corresponding losses, P(w,T,v), at second measurement temperature – Corresponding losses, P(w,T,v), at second measurement temperature

ones(5, 4, 3) W (default)

Iron losses at the second measurement temperature, corresponding to the speed, torque, and DC supply voltage tabulated values on the **Electrical Losses** tab.

Dependencies

This parameter is visible only when you set the **Parameterize losses by** parameter on the **Electrical Losses** setting to Tabulated loss data as a function of speed, torque, and DC supply voltage.

Corresponding efficiency (percent), $E(w,T,v)$, at second measurement temperature — Corresponding efficiency (percent), $E(w,T,v)$, at second measurement temperature

95 * ones(5, 4, 3) (default)

Tabulated efficiency values, in percent, at the second measurement temperature, corresponding to the speed, torque, and DC supply voltage tabulated values on the **Electrical Losses** tab.

Dependencies

This parameter is visible only when you set the **Parameterize losses by** parameter on the **Electrical Losses** setting to Tabulated efficiency data as a function of speed, torque, and DC supply voltage.

Thermal Port

Thermal mass — Thermal mass

100 J/K (default)

Thermal mass of the electrical winding, defined as the energy required to raise the temperature by one degree.

initial_temperature — Initial temperature

25 (default)

The temperature of the thermal port at the start of simulation. The default value is 25°C.

Compatibility Considerations

Library Path and Name Change

Behavior changed in R2020b

The Simplified PMSM Drive block has been renamed the Motor & Drive (System Level) block and moved from the **Simscape > Electrical > Electromechanical > Permanent Magnet** library to the **Simscape > Electrical > Electromechanical > System-Level Modeling** library.

If you have a script that depends on the library path or the Simscape component path of this block, you need to update it to reflect these changes.

Extended Capabilities

C/C++ Code Generation

Generate C and C++ code using Simulink® Coder™.

See Also

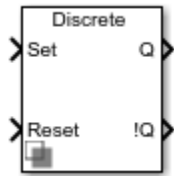
DC Motor | Induction Machine (Single-Phase) | Shunt Motor | Universal Motor

Introduced in R2008a

Set-Reset Flip-Flop

Set-reset flip-flop or bistable multivibrator

Library: Simscape / Electrical / Control / General Control



Description

The Set-Reset Flip-Flop block implements a set-reset flip-flop or bistable multivibrator.

The block maintains the output signals, Q and !Q, unless an external trigger is applied. An external trigger (*Set*) produces a change of state, which is maintained until a second external trigger (*Reset*) is applied.

The table shows the relationship between the block input and output signals.

Set	Reset	Q	!Q
0	0	Last Q	Last !Q
0	1	0	1
1	0	1	0
1	1	Undefined	Undefined

When the state is undefined, the priority is provided as an external parameter.

Ports

Input

Set — Set input signal

0 | 1

Input signal that triggers a state change.

Data Types: Boolean

Reset — Reset input signal

0 | 1

Input signal that resets a state change.

Data Types: Boolean

Output

Q – Output signal

0 | 1

Output signal **Q**, with the same dimensions and data type as the input **signal**.

Data Types: Boolean

!Q – Complement output signal

0 | 1

Output signal **!Q**, with the same dimensions and data type as the input **signal**.

Data Types: Boolean

Parameters

Priority when undefined state – State priority

Set (default) | Reset

Priority for the undefined state, that is, when both *Set* and *Reset* are true.

Initial condition for Q state – Initial value of the output Q

0 (default) | 1

Initial condition for *Q* state.

Sample time (-1 for inherited) – Block sample time

-1 (default) | 0 | positive scalar

Time between consecutive block executions. During execution, the block produces outputs and, if appropriate, updates its internal state. For more information, see “What Is Sample Time?” and “Specify Sample Time”.

For inherited discrete-time operation, specify -1. For discrete-time operation, specify a positive integer. For continuous-time operation, specify 0.

If this block is in a masked subsystem, or other variant subsystem that allows you to switch between continuous operation and discrete operation, promote the sample time parameter. Promoting the sample time parameter ensures correct switching between the continuous and discrete implementations of the block. For more information, see “Promote Parameter to Mask”.

Extended Capabilities

C/C++ Code Generation

Generate C and C++ code using Simulink® Coder™.

See Also

Introduced in R2018b

SFFM Current Source

Single-frequency frequency-modulated current source

Library: Simscape / Electrical / Additional Components / SPICE Sources



Description

The SFFM Current Source block represents a frequency-modulated AC current source whose output current value is independent of the voltage across its terminals. The following equation describes the current through the source as a function of time:

$$I_{out} = IO + IA * \sin((2\pi * FC * Time) + MI * \sin(2\pi * FS * Time))$$

where:

- IO is the **Current offset**, **IO** parameter value.
- IA is the **Current amplitude**, **IA** parameter value.
- FC is the **Carrier frequency**, **FC** parameter value.
- MI is the **Modulation index**, **MI** parameter value.
- FS is the **Signal frequency**, **FS** parameter value.

The block uses a small conductance internally to prevent numerical simulation issues. The conductance connects the + and - ports of the device and has a conductance $GMIN$:

- By default, $GMIN$ matches the **GMIN** parameter of the Environment Parameters block, whose default value is 1e-12.
- To change $GMIN$, add an Environment Parameters block to your model and set the **GMIN** parameter to the desired value.

Ports

Conserving

+ – Positive terminal

electrical

Electrical conserving port associated with the SFFM current source positive terminal.

- – Negative terminal

electrical

Electrical conserving port associated with the SFFM current source negative terminal.

Parameters

Current offset, I_0 – Current offset

0 A (default)

Magnitude of the time-independent part of the output current.

Current amplitude, I_A – Current amplitude

0 A (default)

Magnitude of the sinusoidal part of the output current.

Carrier frequency, F_C – Carrier frequency

0 Hz (default) | nonnegative scalar

Frequency of the carrier wave. The value must be greater than or equal to 0.

Modulation index, MI – Modulation index

0 (default) | nonnegative scalar

Amount by which the modulated signal varies around its unmodulated level. The value must be greater than or equal to 0.

Signal frequency, F_S – Signal frequency

0 Hz (default) | nonnegative scalar

Frequency of the modulated signal. The value must be greater than or equal to 0.

Include parallel conductance, G_{MIN} – Whether to include parallel conductance

Yes (default) | No

Specify if the current source includes a parallel conductance. The value of the parallel conductance, G_{MIN} , depends on whether your model contains an Environment Parameters block.

This table shows the possible values of the parallel conductance, G_{MIN} :

Values of parallel conductance, G_{MIN}

Include parallel conductance, G_{MIN}		
Yes		No
Model contains Environment Parameters block	Model does not contain Environment Parameters block	Parallel conductance, G_{MIN} , is not included and it does not affect the current source.
G_{MIN} is equal to the value of the G_{MIN} parameter in the Environment Parameters block.	$G_{MIN} = 1e-12$ Ohm	

Extended Capabilities

C/C++ Code Generation

Generate C and C++ code using Simulink® Coder™.

See Also

Simscape Blocks

DC Current Source | Environment Parameters | Exponential Current Source | Piecewise Linear Current Source | Pulse Current Source | SFFM Current Source | SFFM Voltage Source | Sinusoidal Current Source

Functions

subcircuit2ssc

Topics

“Additional Parameterization Workflows”

“Converting a SPICE Netlist to Simscape Blocks”

“Parameterize an Exponential Diode from SPICE Netlist”

Introduced in R2008a

SFFM Voltage Source

Single-frequency frequency-modulated voltage source

Library: Simscape / Electrical / Additional Components / SPICE Sources



Description

The SFFM Voltage Source block represents a frequency-modulated AC voltage source whose output voltage value is independent of the current through the source. The following equation describes the output voltage as a function of time:

$$V_{out} = VO + VA * \sin((2\pi * FC * Time) + MI * \sin(2\pi * FS * Time))$$

where:

- VO is the **Voltage offset**, **VO** parameter value.
- VA is the **Voltage amplitude**, **VA** parameter value.
- FC is the **Carrier frequency**, **FC** parameter value.
- MI is the **Modulation index**, **MI** parameter value.
- FS is the **Signal frequency**, **FS** parameter value.

Ports

Conserving

+ – Positive voltage

electrical

Electrical conserving port associated with the SFFM voltage source positive voltage

- – Negative voltage

electrical

Electrical conserving port associated with the SFFM voltage source negative voltage

Parameters

Voltage offset, VO – Voltage offset

0 V (default)

Magnitude of the time-independent part of the output voltage.

Voltage amplitude, VA – Voltage amplitude

0 V (default)

Magnitude of the sinusoidal part of the output voltage.

Carrier frequency, FC — Carrier frequency

0 Hz (default) | nonnegative scalar

Frequency of the carrier wave. The value must be greater than or equal to 0.

Modulation index, MI — Modulation index

0 (default) | nonnegative scalar

Amount by which the modulated signal varies around its unmodulated level. The value must be greater than or equal to 0.

Signal frequency, FS — Signal frequency

0 Hz (default) | nonnegative scalar

Frequency of the modulated signal. The value must be greater than or equal to 0.

Extended Capabilities**C/C++ Code Generation**

Generate C and C++ code using Simulink® Coder™.

See Also**Simscape Blocks**

DC Voltage Source | Environment Parameters | Exponential Voltage Source | Piecewise Linear Voltage Source | Pulse Voltage Source | SFFM Current Source | SFFM Voltage Source | Sinusoidal Voltage Source

Functions

subcircuit2ssc

Topics

“Additional Parameterization Workflows”

“Converting a SPICE Netlist to Simscape Blocks”

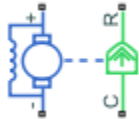
“Parameterize an Exponential Diode from SPICE Netlist”

Introduced in R2008a

Shunt Motor

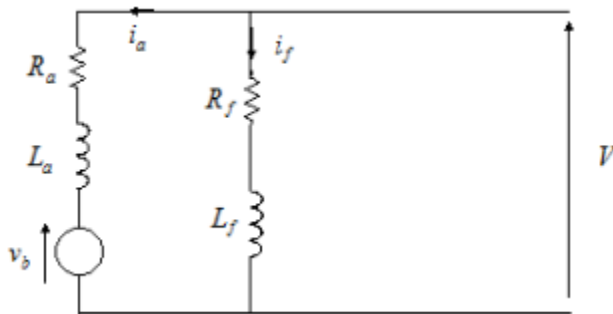
Shunt motor with electrical and torque characteristics

Library: Simscape / Electrical / Electromechanical / Brushed Motors



Description

The Shunt Motor block represents the electrical and torque characteristics of a shunt motor using the following equivalent circuit model.



When you set the **Model parameterization** parameter to **By equivalent circuit parameters**, you specify the equivalent circuit parameters for this model:

- R_a — **Armature resistance**
- L_a — **Armature inductance**
- R_f — **Field winding resistance**
- L_f — **Field winding inductance**

The Shunt Motor block computes the motor torque as follows:

- 1 The magnetic field in the motor induces the following back emf v_b in the armature:

$$v_b = L_{af} i_f \omega$$

where L_{af} is a constant of proportionality and ω is the angular velocity.

- 2 The mechanical power is equal to the power reacted by the back emf:

$$P = v_b i_a = L_{af} i_f i_a \omega$$

- 3 The motor torque is:

$$T = P/\omega = L_{af} i_f i_a$$

The torque-speed characteristic for the Shunt Motor block model is related to the parameters in the preceding figure. When you set the **Model parameterization** parameter to **By rated power, rated speed & no-load speed**, the block solves for the equivalent circuit parameters as follows:

- 1 For the steady-state torque-speed relationship, L has no effect.
- 2 Sum the voltages around the loop:

$$V = i_a R_a + L_{af} i_f \omega$$

$$V = i_f R_f$$

- 3 Solve the preceding equations for i_a and i_f :

$$i_f = \frac{V}{R_f}$$

$$i_a = \frac{V}{R_a} \left(1 - \frac{L_{af} \omega}{R_f} \right)$$

- 4 Substitute these values of i_a and i_f into the equation for torque:

$$T = \frac{L_{af}}{R_a R_f} \left(1 - \frac{L_{af} \omega}{R_f} \right) V^2$$

The block uses the rated speed and power to calculate the rated torque. The block uses the rated torque and no-load speed values to get one equation that relates R_a and L_{af}/R_f . It uses the no-load speed at zero torque to get a second equation that relates these two quantities. Then, it solves for R_a and L_{af}/R_f .

The block models motor inertia J and damping B for all values of the **Model parameterization** parameter. The output torque is:

$$T_{load} = \frac{L_{af}}{R_a R_f} \left(1 - \frac{L_{af} \omega}{R_f} \right) V^2 - J \dot{\omega} - B \omega$$

The block produces a positive torque acting from the mechanical C to R ports.

Thermal Ports

The block has two optional thermal ports, one per winding, hidden by default. To expose the thermal ports, right-click the block in your model, and then from the context menu select **Simscape > Block choices > Show thermal port**. This action displays the thermal ports on the block icon, and exposes the **Temperature Dependence** and **Thermal Port** parameters. These parameters are described further on this reference page.

Use the thermal ports to simulate the effects of copper resistance losses that convert electrical power to heat. For more information on using thermal ports in actuator blocks, see “Simulating Thermal Effects in Rotational and Translational Actuators”.

Ports

Conserving

+ – **Positive terminal**
electrical

Electrical conserving port associated with the shunt motor positive terminal.

- – Negative terminal

electrical

Electrical conserving port associated with the shunt motor negative terminal.

C – Motor case

mechanical

Mechanical rotational conserving port associated with the shunt motor case.

R – Motor rotor

mechanical

Mechanical rotational conserving port associated with the shunt motor rotor.

Hf – Field winding thermal port

thermal

Field winding thermal port. For more information, see “Thermal Ports” on page 1-1418.

Ha – Armature winding thermal port

thermal

Armature winding thermal port. For more information, see “Thermal Ports” on page 1-1418.

Parameters

Electrical Torque

Model parameterization – Block parameterization

By equivalent circuit parameters (default) | By rated power, rated speed & no-load speed

Select one of the following methods for block parameterization:

- By equivalent circuit parameters — Provide electrical parameters for an equivalent circuit model of the motor.
- By rated power, rated speed & no-load speed — Provide power and speed parameters that the block converts to an equivalent circuit model of the motor.

Armature resistance – Armature resistance

110 Ohm (default)

Resistance of the armature.

Dependencies

This parameter is visible only when you set the **Model parameterization** parameter to By equivalent circuit parameters.

Field winding resistance – Field winding resistance

2500 Ohm (default)

Resistance of the field winding.

Dependencies

This parameter is visible only when you set the **Model parameterization** parameter to By equivalent circuit parameters.

Back-emf constant — Back-emf constant

5.11 s*V/rad/A (default)

The ratio of the voltage generated by the motor to the motor speed.

Armature inductance — Armature inductance

0.1 H (default)

Inductance of the armature. If you do not have information about this inductance, set the value of this parameter to a small, nonzero number. The value can be zero.

Field winding inductance — Field winding inductance

0.1 H (default)

Inductance of the field winding. If you do not have information about this inductance, set the value of this parameter to a small, nonzero number. The value can be zero.

No-load speed — No-load speed

4600 rpm (default)

Speed of the motor when no load is applied.

Dependencies

This parameter is visible only when you set the **Model parameterization** parameter to By rated power, rated speed & no-load speed.

Rated speed (at rated load) — Rated speed

4000 rpm (default)

Motor speed at the rated load.

Dependencies

This parameter is visible only when you set the **Model parameterization** parameter to By rated power, rated speed & no-load speed.

Rated load (mechanical power) — Rated load

50 W (default)

The mechanical load for which the motor is rated to operate.

Dependencies

This parameter is visible only when you set the **Model parameterization** parameter to By rated power, rated speed & no-load speed.

Rated DC supply voltage — Rated DC supply voltage

220 V (default)

The voltage at which the motor is rated to operate.

Dependencies

This parameter is visible only when you set the **Model parameterization** parameter to By rated power, rated speed & no-load speed.

Starting current at rated DC supply voltage — Starting current at rated DC supply voltage

2.09 A (default)

The initial current when starting the motor with the rated DC supply voltage.

Dependencies

This parameter is visible only when you set the **Model parameterization** parameter to By rated power, rated speed & no-load speed.

Mechanical**Rotor inertia — Rotor inertia**

$2e-4$ kg*m² (default)

Resistance of the rotor to change in motor motion. The value can be zero.

Rotor damping — Rotor dissipated energy

$1e-6$ N*m/(rad/s) (default)

Energy dissipated by the rotor. The value can be zero.

Initial rotor speed — Initial rotor speed

0 rpm (default)

Speed of the rotor at the start of the simulation.

Temperature Dependence

This tab appears only for blocks with exposed thermal ports. For more information, see “Thermal Ports” on page 1-1418.

Resistance temperature coefficients, [α_f α_a] — Stator and rotor resistance temperature coefficients

[.00393, .00393] 1/K (default)

A 1 by 2 row vector that defines the coefficient α in the equation relating resistance to temperature, as described in “Thermal Model for Actuator Blocks”. The first element corresponds to the field winding, and the second to the armature. The default value is for copper.

Measurement temperature — Measurement temperature

25 C (default)

The temperature for which motor parameters are defined.

Thermal Port

This tab appears only for blocks with exposed thermal ports. For more information, see “Thermal Ports” on page 1-1418.

Thermal masses, [Mf Ma] – Thermal masses

[100, 100] J/K (default)

A 1 by 2 row vector that defines the thermal mass for the field and armature windings. The thermal mass is the energy required to raise the temperature by one degree.

Initial temperatures – Initial temperatures

[25, 25] C (default)

A 1 by 2 row vector that defines the temperature of the field and armature thermal ports at the start of simulation.

References

[1] Bolton, W. *Mechatronics: Electronic Control Systems in Mechanical and Electrical Engineering*, 3rd edition Pearson Education, 2004..

Extended Capabilities**C/C++ Code Generation**

Generate C and C++ code using Simulink® Coder™.

See Also

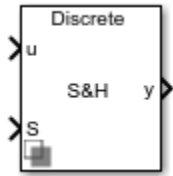
[DC Motor](#) | [Induction Machine \(Single-Phase\)](#) | [Simplified PMSM Drive](#) | [Universal Motor](#)

Introduced in R2008a

Signal Sample and Hold

Discrete-time or Continuous-time sample and hold input signal

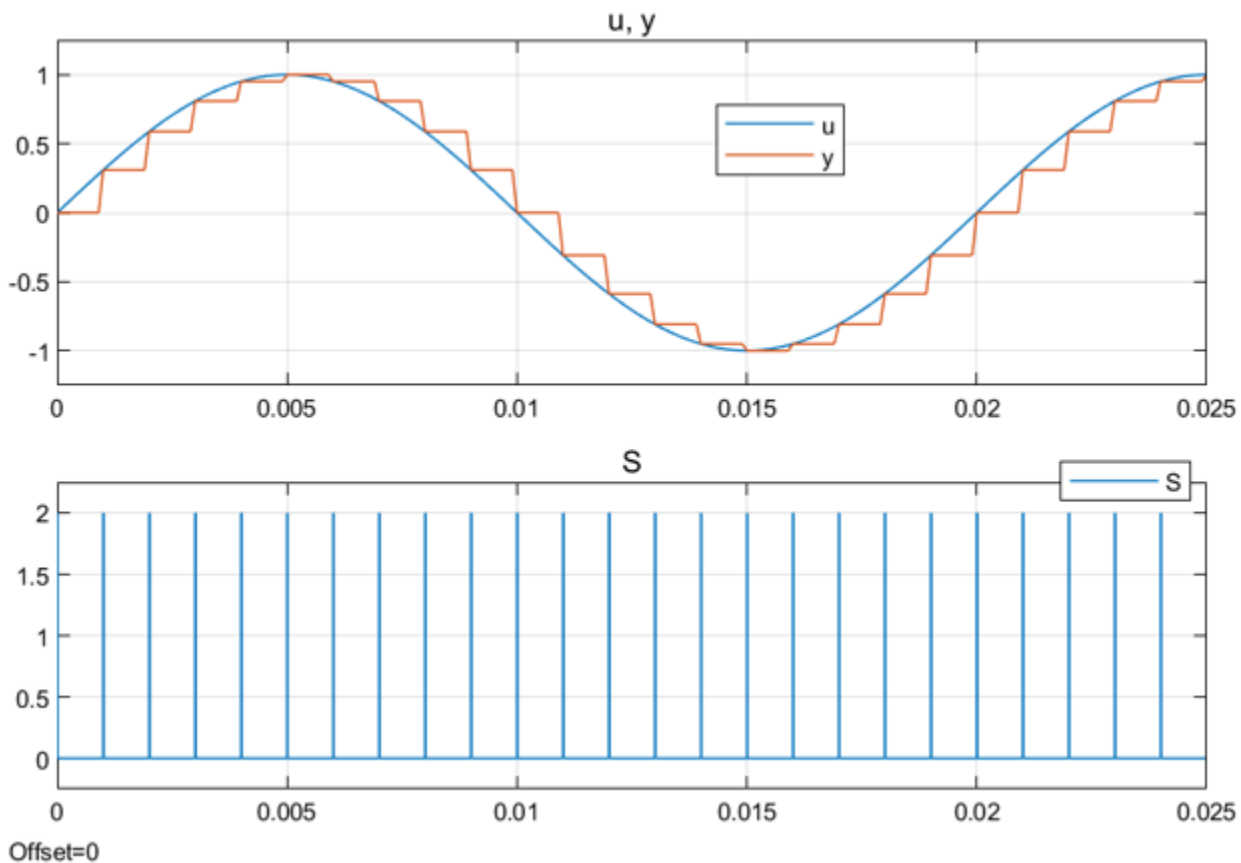
Library: Simscape / Electrical / Control / General Control



Description

The Signal Sample and Hold block implements a signal sample and hold in either discrete or continuous time.

When input *S* is true, output *y* is equal to input *u*. When input *S* is false, the block holds the output until *S* becomes true again.



Ports

Input

u – Input signal

scalar | vector

Input signal.

Data Types: single | double

S – Control signal

0 | 1

Sample pulse of 0 for false or 1 for true.

Data Types: Boolean

Output

y – Output signal

scalar | vector

Output signal.

Data Types: single | double

Parameters

Initial condition – Initial output value

scalar | vector

Specify initial condition. The value must be a scalar or a vector of the same size as the input signal.

Sample time (-1 for inherited) – Block sample time

-1 (default) | 0 | positive scalar

Time between consecutive block executions. During execution, the block produces outputs and, if appropriate, updates its internal state. For more information, see “What Is Sample Time?” and “Specify Sample Time”.

For inherited discrete-time operation, specify -1. For discrete-time operation, specify a positive integer. For continuous-time operation, specify 0.

If this block is in a masked subsystem, or other variant subsystem that allows you to switch between continuous operation and discrete operation, promote the sample time parameter. Promoting the sample time parameter ensures correct switching between the continuous and discrete implementations of the block. For more information, see “Promote Parameter to Mask”.

Extended Capabilities

C/C++ Code Generation

Generate C and C++ code using Simulink® Coder™.

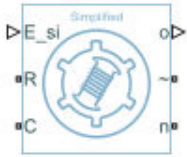
See Also

Introduced in R2018b

Simplified Synchronous Machine

Simplified synchronous machine with electromotive force

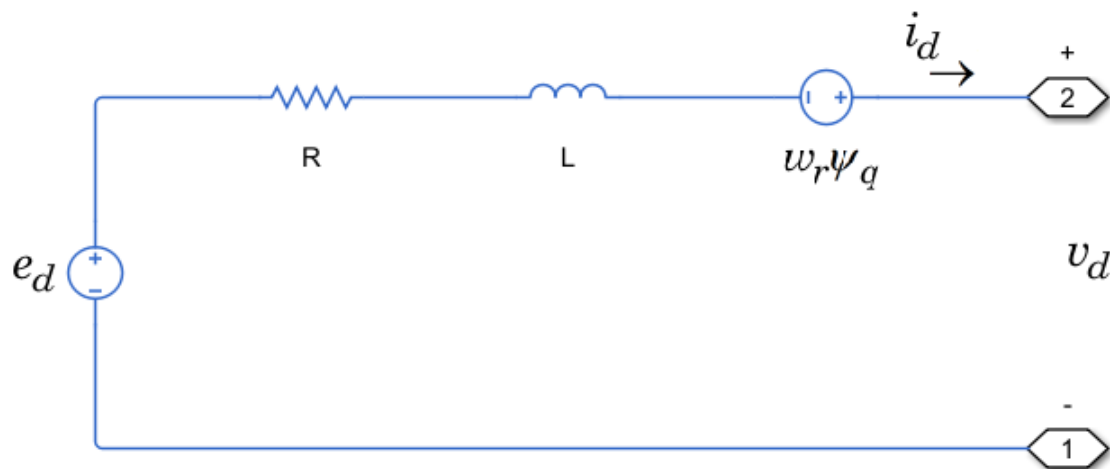
Library: Simscape / Electrical / Electromechanical / Synchronous

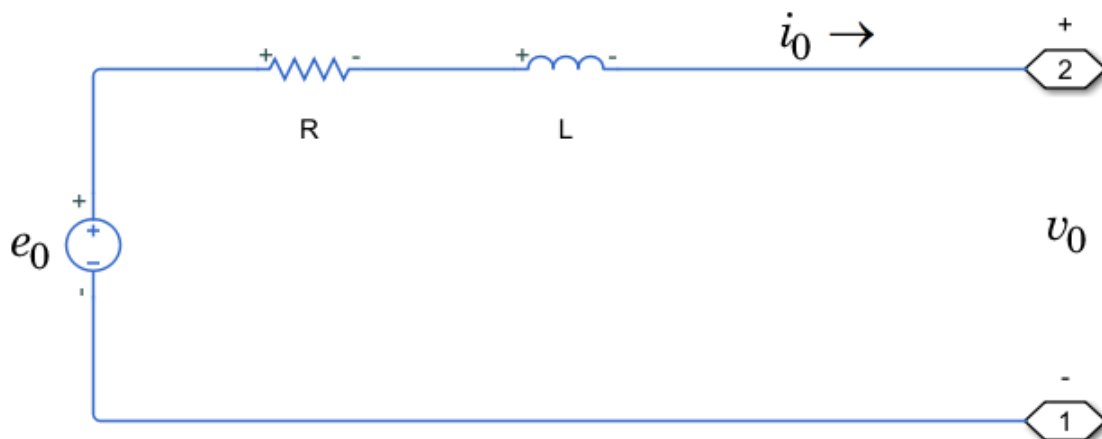
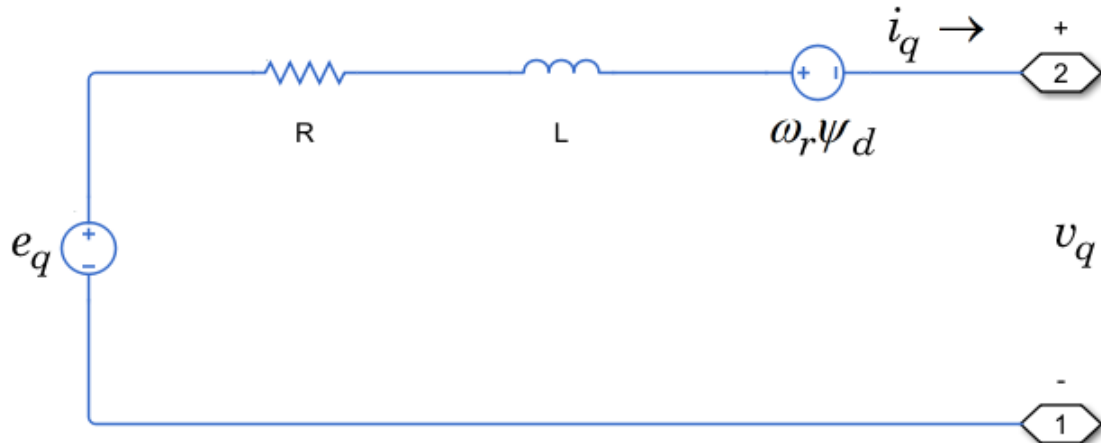


Description

The Simplified Synchronous Machine block models a simplified synchronous machine with a voltage source that represents electromotive force (EMF). You can specify the internal resistance and inductance with per-unit or SI parameters.

The equivalent circuits of the simplified synchronous machine for the direct axis, the quadrature axis, and the zero sequence are:





Equations

The simplified synchronous machine equations are expressed with respect to a rotating reference frame, which is defined by:

$$\theta_e(t) = N\theta_r(t),$$

where:

- θ_e is the electrical angle.
- N is the number of pole pairs.
- θ_r is the rotor angle.

The Park transformation maps the synchronous machine equations to the rotating reference frame with respect to the electrical angle. The Park transformation is defined by:

$$P_s = \frac{2}{3} \begin{bmatrix} \cos\theta_e & \cos(\theta_e - \frac{2\pi}{3}) & \cos(\theta_e + \frac{2\pi}{3}) \\ -\sin\theta_e & -\sin(\theta_e - \frac{2\pi}{3}) & -\sin(\theta_e + \frac{2\pi}{3}) \\ \frac{1}{2} & \frac{1}{2} & \frac{1}{2} \end{bmatrix}.$$

The Park transformation is used to define the per-unit simplified synchronous machine equations. The voltage equations are defined by:

$$e_d = \frac{1}{\omega_{base}} \frac{d\psi_d}{dt} - \Psi_q \omega_r + Ri_d + v_d$$

$$e_q = \frac{1}{\omega_{base}} \frac{d\psi_q}{dt} + \Psi_d \omega_r + Ri_q + v_q$$

$$e_0 = \frac{1}{\omega_{base}} \frac{d\Psi_0}{dt} + Ri_0 + v_0$$

where:

- e_d , e_q , and e_0 are the d -axis, q -axis, and zero-sequence voltages, defined by:

$$\begin{bmatrix} e_d \\ e_q \\ e_0 \end{bmatrix} = P_s \begin{bmatrix} e_a \\ e_b \\ e_c \end{bmatrix}.$$

e_a , e_b , and e_c are the per-unit internal voltage sources, defined by:

$$e_a = E_{pu} \sin\theta_e$$

$$e_b = E_{pu} \sin(\theta_e - 120^\circ)$$

$$e_c = E_{pu} \sin(\theta_e + 120^\circ)$$

e_{pu} is the per-unit amplitude of the internal generated voltage.

- v_d , v_q , and v_0 are defined by:

$$\begin{bmatrix} v_d \\ v_q \\ v_0 \end{bmatrix} = P_s \begin{bmatrix} v_a \\ v_b \\ v_c \end{bmatrix}.$$

v_a , v_b , and v_c are the stator voltages measured from port \sim to neutral port \mathbf{n} .

- ω_{base} is the per-unit base electrical speed.
- ψ_d , ψ_q , and ψ_0 are the d -axis, q -axis, and zero-sequence flux linkages.
- ω_r is the per-unit rotor rotational speed.
- R is the stator resistance.
- i_d , i_q , and i_0 are the d -axis, q -axis, and zero-sequence stator currents, defined by:

$$\begin{bmatrix} i_d \\ i_q \\ i_0 \end{bmatrix} = P_s \begin{bmatrix} i_a \\ i_b \\ i_c \end{bmatrix}.$$

i_a , i_b , and i_c are the stator currents flowing out of port ~.

The stator flux linkage equations are defined by

$$\psi_d = L \cdot i_d$$

$$\psi_q = L \cdot i_q$$

$$\psi_0 = L \cdot i_0$$

where L is the stator leakage inductance.

The power equation of the simplified synchronous machine in per-unit is defined by:

$$P = e_d i_d + e_q i_q.$$

Ports

Input

E_si — Amplitude of internal generated voltage (phase-to-neutral)

vector of physical signals

Physical signal port associated with the amplitude of the internal generated voltage (phase-to-neutral), specified as a vector of physical signals.

Dependencies

To enable this port, set **Parameterization unit** to SI.

E_pu — Amplitude of internal generated voltage, in per-unit

vector of physical signals

Physical signal port associated with the per-unit amplitude of the internal generated voltage, specified as a vector of physical signals.

Dependencies

To enable this port, set **Parameterization unit** to Per unit.

Output

o — Machine per-unit measurements

vector of physical signals

Physical signal port associated with the machine per-unit measurements, returned as a vector of physical signals. The vector elements are:

- Electromotive force associated with phase a, $pu_EMF(1)$
- Electromotive force associated with phase b, $pu_EMF(2)$
- Electromotive force associated with phase c, $pu_EMF(3)$
- Electrical torque, pu_torque
- Rotor velocity, $pu_velocity$
- Stator d-axis voltage, pu_vd

- Stator q-axis voltage, *pu_vq*
- Stator zero-sequence voltage, *pu_e0*
- Stator d-axis current, *pu_id*
- Stator q-axis current, *pu_iq*
- Stator zero-sequence current, *pu_i0*
- Rotor electrical angle, *electrical_angle_out*

To connect to this port, use the Synchronous Machine Measurement block.

Conserving

R — Machine rotor

mechanical rotational

Mechanical rotational conserving port associated with the machine rotor.

C — Machine case

mechanical rotational

Mechanical rotational conserving port associated with the machine case.

~ — Stator windings

electrical

Expandable three-phase electrical port associated with the stator windings.

n — Neutral phase

electrical

Electrical conserving port associated with the neutral point of the wye winding configuration.

Parameters

Main

Rated apparent power — Rated apparent power

555e6 V*A (default) | scalar

Rated apparent power.

Rated voltage — RMS rated line-to-line voltage

24e3 V (default) | scalar

RMS rated line-to-line voltage.

Rated electrical frequency — Nominal electrical frequency

60 Hz (default) | scalar

Nominal electrical frequency at which rated apparent power is quoted.

Number of pole pairs — Number of pole pairs

2 (default) | scalar

Number of machine pole pairs.

Parameterization unit — Block parameterization

SI (default) | Per unit

Block parameterization method. Options are:

- SI
- Per unit

Internal resistance (pu) — Internal per-unit resistance

0.05 (default) | scalar

Internal per-unit resistance.

DependenciesTo enable this parameter, set **Parameterization unit** to Per unit.**Internal inductance (pu) — Internal per-unit inductance**

0.3 (default) | scalar

Internal per-unit inductance in per-unit.

DependenciesTo enable this parameter, set **Parameterization unit** to Per unit.**Internal resistance — Internal resistance**

0.0519 Ohm (default) | scalar

Internal resistance.

DependenciesTo enable this parameter, set **Parameterization unit** to SI.**Internal inductance — Internal inductance**

8.2589e-04 H (default) | scalar

Internal inductance.

DependenciesTo enable this parameter, set **Parameterization unit** to SI.**Extended Capabilities****C/C++ Code Generation**

Generate C and C++ code using Simulink® Coder™.

See Also

Simplified Synchronous Machine Measurement

Introduced in R2020b

Simplified Synchronous Machine Measurement

Per-unit measurement from simplified synchronous machine

Library: Simscape / Electrical / Electromechanical / Synchronous



Description

The Simplified Synchronous Machine Measurement block outputs a per-unit measurement associated with a connected Simplified Synchronous Machine block. The input of the Simplified Synchronous Machine Measurement block connects to the pu output port of the Simplified Synchronous Machine block.

You set the **Output** parameter to a per-unit measurement associated with the simplified synchronous machine. Based on the value you select, the Simplified Synchronous Machine Measurement block:

- Directly outputs the value of an element in the input signal vector
- Calculates the per-unit measurement by using values of elements in the input signal vector in mathematical expressions.

The Simplified Synchronous Machine Measurement block outputs a per-unit measurement from the simplified synchronous machine according to the output value expressions in the table. For example, when you set **Output** to **Stator d-axis voltage**, the block directly outputs the value of the pu_ed element in the input signal vector. However, when you set **Output** to **Reactive power**, the block calculates the value from the pu_ed, pu_eq, pu_id, and pu_iq elements.

Output Parameter Setting	Output Value Expression
EMF phase A	pu_EMFa
EMF phase B	pu_EMFb
EMF phase C	pu_EMFc
Electrical torque	pu_torque
Rotor velocity	pu_velocity
Stator d-axis voltage	pu_vd
Stator q-axis voltage	pu_vq
Stator zero-sequence voltage	pu_v0
Stator d-axis current	pu_id
Stator q-axis current	pu_iq
Stator zero-sequence current	pu_i0
Apparent power	$\sqrt{pu_{Pt}^2 + pu_{Qt}^2}$
Real power	$pu_{Pt} = (pu_{vd} * pu_{id}) + (pu_{vq} * pu_{iq}) + 2(pu_{v0} * pu_{i0})$

Output Parameter Setting	Output Value Expression
Reactive power	$pu_{Qt} = (pu_{vq} * pu_{id}) - (pu_{vd} * pu_{iq})$
Terminal voltage	$\sqrt{(pu_{vd}^2 + pu_{vq}^2)}$
Terminal current	$\sqrt{(pu_{id}^2 + pu_{iq}^2)}$
Power factor angle	$power_factor_angle = \text{atan2}(pu_{Qt}, pu_{Pt})$
Power factor	$\cos(power_factor_angle)$
Load angle	$load_angle(rad) = \text{atan2}(pu_{vd}, pu_{vq})$
Rotor electrical angle	$\theta_e(t) = N\theta_r(t)$

Ports

Input

pu – Per-unit measurements from a connected synchronous machine

vector of physical signal

Physical signal associated with the per-unit measurements from a connected Simplified Synchronous Machine, specified as:

- pu_EMFa
- pu_EMFb
- pu_EMFc
- pu_torque
- pu_velocity
- pu_vd
- pu_vq
- pu_vθ
- pu_id
- pu_iq
- pu_iθ

Output

o – Per-unit measurement output port

physical signal

Physical signal output port associated with the per-unit measurement, returned as a physical signal.

Parameters

Output – Per-unit measurement from synchronous machine

EMF phase A (default) | EMF phase B | EMF phase C | Electrical torque | Rotor velocity
 | Stator d-axis voltage | Stator q-axis voltage | Stator zero-sequence voltage |
 Stator d-axis current | Stator q-axis current | Stator zero-sequence current |

Apparent power | Real power | Reactive power | Terminal voltage | Terminal current |
Power factor angle | Power factor | Load angle | Rotor electrical angle

Per-unit measurement from simplified synchronous machine. The default value is EMF phase A.

Extended Capabilities

C/C++ Code Generation

Generate C and C++ code using Simulink® Coder™.

See Also

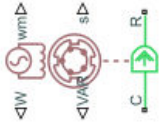
Simplified Synchronous Machine

Introduced in R2020b

Simplified Induction Motor

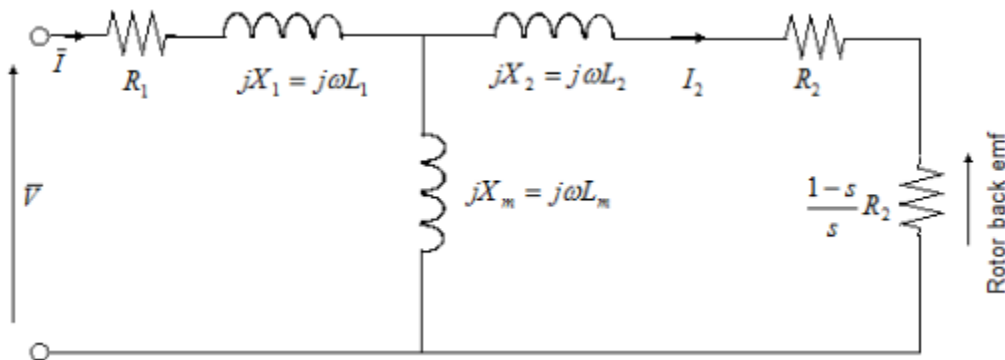
Induction motor powered by ideal AC supply

Library: Simscape / Electrical / Electromechanical / Asynchronous



Description

The Simplified Induction Motor block represents the electrical and torque characteristics of an induction motor powered by an ideal AC supply. The following figure shows the equivalent circuit model of the Simplified Induction Motor block.



In the figure:

- R_1 is the stator resistance.
- R_2 is the rotor resistance with respect to the stator.
- L_1 is the stator inductance.
- L_2 is the rotor inductance with respect to the stator.
- L_m is magnetizing inductance.
- s is the rotor slip.
- \bar{V} and \bar{I} are the sinusoidal supply voltage and current phasors.

Rotor slip s is defined in terms of the mechanical rotational speed ω_m , the number of pole pairs p , and the electrical supply frequency ω by

$$s = 1 - \frac{p\omega_m}{\omega}$$

This means that the slip is one when starting, and zero when running synchronously with the supply frequency.

For an n -phase induction motor the torque-speed relationship is given by:

$$T = \frac{npR_2}{s\omega} \frac{V_{rms}^2}{\left(R_1 + R_2 + \frac{1-s}{s}R_2\right)^2 + (X_1 + X_2)^2}$$

where:

- V_{rms} is the line-neutral supply voltage for a star-configuration induction motor, and the line-to-line voltage for a delta-configuration induction motor.
- n is the number of phases.

You can parameterize this block in terms of the preceding equivalent circuit model parameters or in terms of the motor ratings the block uses to derive these parameters.

This block produces a positive torque acting from the mechanical C to R ports.

Thermal Ports

The block has two optional thermal ports, one per winding, hidden by default. To expose the thermal ports, right-click the block in your model, and then from the context menu select **Simscape > Block choices > Show thermal port**. This action displays the thermal ports on the block icon, and exposes the **Temperature Dependence** and **Thermal Port** parameters. These parameters are described further on this reference page.

Use the thermal ports to simulate the effects of copper resistance losses that convert electrical power to heat. For more information on using thermal ports in actuator blocks, see “Simulating Thermal Effects in Rotational and Translational Actuators”.

Assumptions and Limitations

- The block does not model the starting mechanism for a single-phase induction motor.
- When you parameterize the block by motor ratings, the block derives the equivalent circuit model parameters by assuming that the effect of the magnetizing inductance L_m is negligible, and the magnetizing inductance is not included in the simulated component.

Ports

Output

W — Real power

physical

Physical signal port associated with the motor real power.

wm — Mechanical speed

physical

Physical signal port associated with the motor mechanical speed.

VAR — Imaginary power

physical

Physical signal port associated with the motor imaginary power.

s — Motor slip

physical

Physical signal port associated with the motor slip.

Conserving**R — Rotor**

mechanical

Mechanical rotational conserving port associated with the rotor.

C — Case

mechanical

Mechanical rotational conserving port associated with the motor case.

H1 — Rotor

thermal

Stator thermal port. For more information, see “Thermal Ports” on page 1-1436.

H2 — Rotor

thermal

Rotor thermal port. For more information, see “Thermal Ports” on page 1-1436.

Parameters**Electrical Torque****Model parameterization — Block parameterization**

By motor ratings (default) | By equivalent circuit parameters

Select one of the following methods for block parameterization:

- **By motor ratings** — Provide electrical torque parameters that the block converts to an equivalent circuit model of the motor assuming that the effect of the magnetizing inductance L_m is negligible.
- **By equivalent circuit parameters** — Provide electrical parameters for an equivalent circuit model of the motor.

Stator resistance R1 — Stator winding resistance

1 Ohm (default)

Resistance of the stator winding. The default value is 1 Ω .

Dependencies

This parameter is visible only when you set the **Model parameterization** parameter to **By equivalent circuit parameters**.

Rotor resistance R2 — Rotor resistance

1 Ohm (default)

Resistance of the rotor, specified with respect to the stator.

Dependencies

This parameter is visible only when you set the **Model parameterization** parameter to By equivalent circuit parameters.

Stator inductance L1 — Stator winding inductance

0.02 H (default)

Inductance of the stator winding.

Dependencies

This parameter is visible only when you set the **Model parameterization** parameter to By equivalent circuit parameters.

Rotor inductance L2 — Rotor inductance

0.02 H (default)

Inductance of the rotor, specified with respect to the stator.

Dependencies

This parameter is visible only when you set the **Model parameterization** parameter to By equivalent circuit parameters.

Magnetizing inductance Lm — Stator magnetizing inductance

0.5 H (default)

Magnetizing inductance of the stator. Its value is hard to estimate from motor parameters, but the effect is usually small. If you do not know its value, use a typical value of 25 times the **Stator inductance L1** value.

Dependencies

This parameter is visible only when you set the **Model parameterization** parameter to By equivalent circuit parameters.

Rated mechanical power — Motor mechanical power

825 W (default)

Mechanical power the motor delivers when running at the rated speed.

Dependencies

This parameter is visible only when you set the **Model parameterization** parameter to By motor ratings.

Rated speed — Rated motor speed

3500 rpm (default)

Speed at which the motor delivers the specified **Rated mechanical power** value.

Dependencies

This parameter is visible only when you set the **Model parameterization** parameter to By motor ratings.

Rated RMS line-to-line voltage — Rated line-to-line voltage

200 V (default)

Line-to-line voltage at which the motor ratings are specified.

Dependencies

This parameter is visible only when you set the **Model parameterization** parameter to By motor ratings.

Rated supply frequency — Frequency of the AC supply voltage

60 Hz (default)

Frequency of the AC supply voltage at which the motor ratings are specified.

Dependencies

This parameter is visible only when you set the **Model parameterization** parameter to By motor ratings.

Rated RMS line current — Rated line current

2.7 A (default)

Line current at which the motor delivers the specified **Rated mechanical power** value.

Dependencies

This parameter is visible only when you set the **Model parameterization** parameter to By motor ratings.

R1 parameterization — Equivalent circuit resistance parameterization

From motor efficiency (default) | From power factor | Use measured stator resistance R1

Select one of the following parameterizations for the equivalent circuit resistance, R_1 , of the motor:

- From motor efficiency — Calculate R_1 from the motor efficiency. This is the default method.
- From power factor — Calculate R_1 from the motor power factor.
- Use measured stator resistance R1 — Measure R_1 directly.

Dependencies

This parameter is visible only when you set the **Model parameterization** parameter to By motor ratings.

Motor efficiency (percent) — Motor efficiency

95 (default)

The percentage of input power to the motor that gets delivered to the mechanical load when running at the **Rated speed** value.

Dependencies

This parameter is visible only when you set the **Model parameterization** parameter to By motor ratings and the **R1 parameterization** parameter to From motor efficiency.

Motor power factor — Motor power factor

0.93 (default)

The cosine of the angle by which the supply current lags the supply voltage when running at the **Rated mechanical power** value.

Dependencies

This parameter is visible only when you set the **Model parameterization** parameter to By motor ratings and the **R1 parameterization** parameter to From power factor.

Measured stator resistance R1 — Measured stator resistance

1 Ohm (default)

The measured stator resistance.

Dependencies

This parameter is visible only when you set the **Model parameterization** parameter to By motor ratings and the **R1 parameterization** parameter to Use measured stator resistance R1.

Number of pole pairs — Number of motor pole pairs

1 (default)

Total number of pole pairs for the motor.

Number of phases — Number of supply phases

3 (default)

Number of supply phases.

Stator connections — Motor stator configurations

Delta configuration (default) | Star configuration

Select one of the following motor configurations:

- Delta configuration — Connect the motor stator windings in delta configuration.
- Star configuration — Connect the motor stator windings in star configuration.

Power Supply**Supply RMS line-to-line voltage — Supply RMS line-to-line voltage**

200 V (default)

The line-to-line voltage that supplies the motor.

Supply frequency — AC supply frequency

60 Hz (default)

Frequency of the AC supply voltage.

Mechanical**Rotor inertia — Rotor inertia**1e-3 kg*m² (default)

Rotor inertia. The value can be zero.

Rotor damping — Rotor damping

1e-4 N*m/(rad/s) (default)

Rotor damping. The value can be zero.

Initial rotor speed — Initial rotor speed

0 rpm (default)

Speed of the rotor at the start of the simulation.

Temperature Dependence

This tab appears only for blocks with exposed thermal ports. For more information, see “Thermal Ports” on page 1-1436.

Stator and rotor resistance temperature coefficients, [alpha_1 alpha_2] — Stator and rotor resistance temperature coefficients

[.00393, .00393] 1/K (default)

A 1 by 2 row vector defining the coefficient α in the equation relating resistance to temperature, as described in “Thermal Model for Actuator Blocks”. The first element corresponds to the stator, and the second to rotor. The default value is for copper.

Measurement temperature — Measurement temperature

25 C (default)

The temperature for which motor parameters are defined.

Thermal Port

This tab appears only for blocks with exposed thermal ports. For more information, see “Thermal Ports” on page 1-1436.

Stator and rotor thermal masses, [M_1 M_2] — Stator and rotor thermal masses

[100, 100] J/K (default)

A 1 by 2 row vector defining the thermal mass for the stator and rotor windings. The thermal mass is the energy required to raise the temperature by one degree.

Stator and rotor initial temperatures, [T_1 T_2] — Stator and rotor initial temperatures

[25, 25] C (default)

A 1 by 2 row vector defining the temperature of the stator and rotor thermal ports at the start of simulation.

References

- [1] S.E. Lyshevski. *Electromechanical Systems, Electric Machines, and Applied Mechatronics*, CRC, 1999.

Extended Capabilities

C/C++ Code Generation

Generate C and C++ code using Simulink® Coder™.

See Also

DC Motor | Shunt Motor | Simplified PMSM Drive | Universal Motor

Introduced in R2008a

Sinusoidal Current Source

Damped sinusoidal current source

Library: Simscape / Electrical / Additional Components / SPICE Sources



Description

The Sinusoidal Current Source block represents a damped sinusoidal current source whose output current is independent of the voltage across the terminals of the source. The following equations describe the current through the source as a function of time:

$$I_{out}(Time \leq TD) = IO$$

$$I_{out}(Time > TD) = IO + IA * e^{-(Time - TD) * DF} * \sin(2\pi * FREQ * (Time - TD))$$

where:

- IO is the **Current offset**, **IO** parameter value.
- IA is the **Sinusoidal amplitude**, **IA** parameter value.
- $FREQ$ is the **Sinusoidal frequency**, **FREQ** parameter value.
- TD is the **Time delay**, **TD** parameter value.
- DF is the **Damping factor**, **DF** parameter value.

The block uses a small conductance internally to prevent numerical simulation issues. The conductance connects the + and - ports of the device and has a conductance $GMIN$:

- By default, $GMIN$ matches the **GMIN** parameter of the Environment Parameters block, whose default value is $1e-12$.
- To change $GMIN$, add an Environment Parameters block to your model and set the **GMIN** parameter to the desired value.

Ports

Conserving

+ – Positive terminal

electrical

Electrical conserving port associated with the sinusoidal current source positive terminal.

- – Negative terminal

electrical

Electrical conserving port associated with the sinusoidal current source negative terminal.

Parameters

Current offset, **I0** — Current offset

0 A (default)

The magnitude of the time-independent part of the output current.

Sinusoidal amplitude, **IA** — Sinusoidal amplitude

0 A (default)

The magnitude of the sinusoidal part of the output current.

Sinusoidal frequency, **FREQ** — Sinusoidal frequency

1e6 Hz (default)

The frequency of the output sine wave. The value can be less than 0.

Time delay, **TD** — Time delay

0 s (default)

The time at which the sine wave first starts. A value less than 0 indicates a phase shift of 180 degrees.

Damping factor, **DF** — Damping factor

0 1/s (default) | nonnegative scalar

The exponential damping factor for the sine wave to produce the output current. If *DF* is greater than or equal to 0, the exponential part of the equation is always damping for time greater than *TD*. The value must be greater than or equal to 0.

Include parallel conductance, **GMIN** — Whether to include parallel conductance

Yes (default) | No

Specify if the current source includes a parallel conductance. The value of the parallel conductance, *GMIN*, depends on whether your model contains an Environment Parameters block.

This table shows the possible values of the parallel conductance, *GMIN*:

Values of parallel conductance, **GMIN**

Include parallel conductance, GMIN		
Yes		No
Model contains Environment Parameters block	Model does not contain Environment Parameters block	Parallel conductance, <i>GMIN</i> , is not included and it does not affect the current source.
<i>GMIN</i> is equal to the value of the GMIN parameter in the Environment Parameters block.	<i>GMIN</i> = 1e-12 0hm	

Extended Capabilities

C/C++ Code Generation

Generate C and C++ code using Simulink® Coder™.

See Also

Simscape Blocks

DC Current Source | Environment Parameters | Exponential Current Source | Piecewise Linear Current Source | Pulse Current Source | SFFM Current Source | Sinusoidal Voltage Source

Functions

subcircuit2ssc

Topics

“Additional Parameterization Workflows”

“Converting a SPICE Netlist to Simscape Blocks”

“Parameterize an Exponential Diode from SPICE Netlist”

Introduced in R2008a

Sinusoidal Voltage Source

Damped sinusoidal voltage source

Library: Simscape / Electrical / Additional Components / SPICE Sources



Description

The Sinusoidal Voltage Source block represents a damped sinusoidal voltage source whose output voltage is independent of the current through the source. The following equations describe the output as a function of time:

$$V_{out}(Time \leq TD) = VO$$

$$V_{out}(Time > TD) = VO + VA * e^{-(Time - TD)*DF} * \sin(2\pi * FREQ * (Time - TD))$$

where:

- VO is the **Voltage offset**, **VO** parameter value.
- VA is the **Sinusoidal amplitude**, **VA** parameter value.
- $FREQ$ is the **Sinusoidal frequency**, **FREQ** parameter value.
- TD is the **Time delay**, **TD** parameter value.
- DF is the **Damping factor**, **DF** parameter value.

Ports

Conserving

+ – Positive voltage

electrical

Electrical conserving port associated with the sinusoidal voltage source positive voltage

- – Negative voltage

electrical

Electrical conserving port associated with the sinusoidal voltage source negative voltage

Parameters

Voltage offset, VO – Voltage offset

0 V (default)

Magnitude of the time-independent part of the output voltage.

Sinusoidal amplitude, VA — Sinusoidal amplitude 0 V (default)

Magnitude of the sinusoidal part of the output voltage.

Sinusoidal frequency, FREQ — Sinusoidal frequency $1e6$ Hz (default)

Frequency of the output sine wave. The value can be less than 0 .

Time delay, TD — Time delay 0 s (default)

Time at which the sine wave first starts. A value less than 0 indicates a phase shift of 180 degrees.

Damping factor, DF — Damping factor 0 1/s (default) | nonnegative scalar

Exponential damping factor for the sine wave to produce the output voltage. If DF is greater than or equal to 0 , the exponential part of the equation is always damping for time greater than TD . The value must be greater than or equal to 0 .

Extended Capabilities**C/C++ Code Generation**

Generate C and C++ code using Simulink® Coder™.

See Also**Simscape Blocks**

DC Voltage Source | Environment Parameters | Exponential Voltage Source | Piecewise Linear Voltage Source | Pulse Voltage Source | SFFM Voltage Source | Sinusoidal Current Source

Functions

subcircuit2ssc

Topics

“Additional Parameterization Workflows”

“Converting a SPICE Netlist to Simscape Blocks”

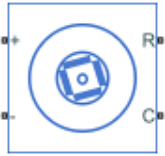
“Parameterize an Exponential Diode from SPICE Netlist”

Introduced in R2008a

PMSM (Single-Phase)

Single-phase permanent magnet synchronous motor

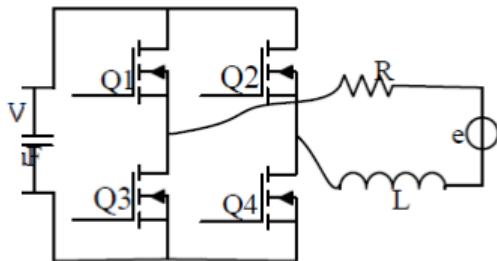
Library: Simscape / Electrical / Electromechanical / Permanent Magnet



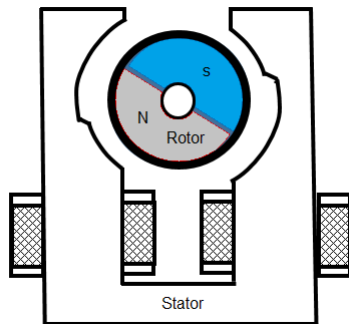
Description

The PMSM (Single-Phase) represents a single-phase permanent magnet synchronous motor (PMSM), a type of DC motor that is useful for automation applications.

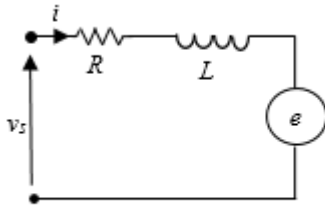
The figure shows the topology of the single-phase PMSM drive.



The figure shows the motor construction with a single pole-pair on the rotor. Single-phase PMSMs are not self-starting unless the air gap is asymmetrical.



The figure shows the equivalent circuit for the PMSM (Single-Phase) block.



Equations

The motor voltage equations are

$$v_s = Ri + L \frac{di}{dt} + e$$

and

$$v_s = V_m \sin(\omega_s t + \varepsilon),$$

where:

- v_s is the supply voltage.
- i is the instantaneous motor current.
- R is the resistance of the windings.
- L is the self-inductance of the windings.
- e is the back-electromotive force (BEMF).
- ω_s is the angular frequency of the supply voltage.
- ε is the angle of the supply voltage.

The back electro-motive force (BEMF) is

$$e = k_e \omega_r \sin(\theta_r),$$

where:

- ω_r is the rotor electrical angular velocity.
- θ_r is the rotor position.
- k_e is the BEMF constant.

Due to the large low-permeability gaps between the stator and rotor, the saturation can be neglected. Therefore, the electric torque equations are

$$T_e = i \psi_m \sin(\theta_r)$$

and

$$\psi_m = \frac{k_e}{p},$$

where:

- T_e is the electric torque.
- ψ_m is the permanent magnet flux linkage.
- p is the number of pole pairs.

The mechanical equation is

$$J_m \frac{d\omega_r}{dt} = T_e - T_L - B_m \omega_r,$$

where:

- J_m is the rotor inertia.
- T_L is the torque load.
- B_m is the friction coefficient.

Variables

Use the **Variables** settings to specify the priority and initial target values for the block variables before simulation. For more information, see “Set Priority and Initial Target for Block Variables”.

Limitations and Assumptions

- The machine air gap is free of saliency effects.
- The stator current has negligible effect on the flux distribution under normal operating conditions.
- The hysteresis, saturation effects, and eddy currents are neglected.

Ports

Conserving

R – Machine rotor

mechanical rotational

Mechanical rotational conserving port associated with the machine rotor.

C – Machine case

mechanical rotational

Mechanical rotational conserving port associated with the machine case.

+ – Negative

electrical

Electrical conserving port associated with the supply positive terminal.

- – Positive

electrical

Electrical conserving port associated with the supply negative terminal.

Parameters

Main

Number of pole pairs — Rotor pole pairs

2 (default) | positive integer

Number of permanent magnet pole pairs on the rotor.

Permanent magnet flux linkage parameterization — Parameterization method

Specify flux linkage (default) | Specify back EMF constant

Method for parameterizing the stator.

Dependencies

Selecting Specify flux linkage exposes the **Permanent magnet flux linkage** parameter.

Selecting Specify back EMF constant exposes the **Back EMF constant** parameter.

Permanent magnet flux linkage — Flux linkage

0.2 Wb (default) | positive scalar

Peak permanent magnet flux linkage.

Dependencies

Selecting Specify flux linkage for the **Permanent magnet flux linkage parameterization** parameter exposes the **Permanent magnet flux linkage** parameter.

Back EMF constant — Back-electromotive force constant

0.4 V/(rad/s) (default) | positive scalar

Back-electromotive force constant.

Dependencies

Selecting Specify back EMF constant for the **Permanent magnet flux linkage parameterization** parameter exposes the **Back EMF constant** parameter.

Inductance of stator coil — Inductance

1.15 H (default) | positive scalar

The direct-axis inductance.

Resistance of stator coil — Resistance

150 Ohm (default) | positive scalar

Resistance of each of the stator windings.

Rotor position at standstill due to asymmetric airgap — Rotor angular position at standstill

45 deg (default) | positive scalar in the interval [0, 360] deg

Rotor angular position at standstill due to asymmetric air gap.

Mechanical

Rotor inertia – Rotor moment of inertia

1e-6 kg*m² (default) | positive scalar

Inertia of the rotor attached to mechanical translational port **R**.

Rotor damping – Rotor damping

0 N*m/(rad/s) (default) | positive scalar

Damping of the rotor.

References

- [1] Ertugrul, N. and C. Doudle. "Dynamic analysis of a single-phase line-starting permanent magnet synchronous motor." *Proceedings of International Conference on Power Electronics, Drives and Energy Systems for Industrial Growth*. Vol. 1, 1996, pp. 603-609.

Extended Capabilities

C/C++ Code Generation

Generate C and C++ code using Simulink® Coder™.

See Also

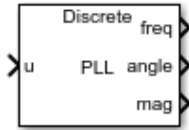
BLDC | PMSM

Introduced in R2018b

Sinusoidal Measurement (PLL)

Estimate sinusoidal characteristics using a phase-locked loop

Library: Simscape / Electrical / Control / Measurements



Description

The Sinusoidal Measurement (PLL) block estimates the frequency, phase angle, and magnitude of a single-phase sinusoidal signal or individual phases of a multiphase sinusoidal signal. The block uses an enhanced phase-locked loop (PLL) strategy to estimate these sinusoidal characteristics of the input signal.

Use this block in control applications when the frequency, phase angle, or magnitude is required and cannot be measured directly. To provide faster phase locking for balanced three-phase input signals, use the Three-Phase Sinusoidal Measurement (PLL) block.

Equations

The phase-locked loop generates a sinusoid that approximates the input signal $u(t)$ with the form:

$$y(t) = A(t)\sin\left(\phi_0 + \int 2\pi f(t)dt\right),$$

where:

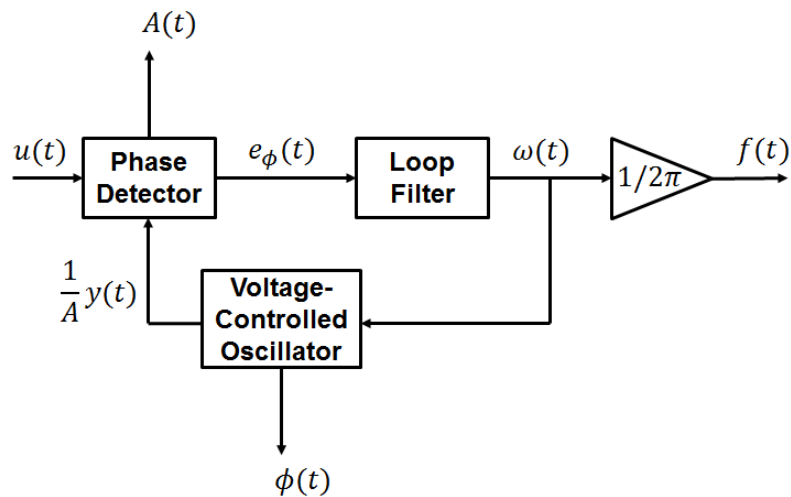
- y is the estimate of the input signal.
- A is the estimate of the amplitude of the input signal.
- ϕ_0 is the initial phase angle of the input signal.

The estimated phase angle ϕ is the angle of this generated sinusoid:

$$\phi(t) = \phi_0 + \int 2\pi f(t)dt,$$

where f is the frequency of the sinusoid, and ϕ_0 is the initial phase angle.

This diagram shows the overall structure of the phase-locked loop.



In the diagram:

- The phase detector produces an error signal relative to the phase difference e_ϕ between the input sinusoid u and the synthesized sinusoid y . It also outputs an estimate of the amplitude A .
- The loop filter provides an estimate of the input angular frequency ω by filtering out the high-frequency components of the phase difference. The block also outputs the converted frequency f in Hz.
- The voltage-controlled oscillator integrates the angular speed to produce the phase estimate ϕ . The oscillator also generates the normalized synthesized sinusoid $(1/A)y$ which it sends to the Phase Detector for comparison.

Ports

Input

u — Input signal

scalar or vector

Periodic input signal.

Data Types: `single` | `double`

Output

freq — Frequency

scalar or vector

Estimated frequency of the input signal, in Hz.

Data Types: `single` | `double`

angle — Phase angle

scalar or vector

Estimated phase angle of the input signal, in rad.

Data Types: `single` | `double`

mag — Magnitude

scalar or vector

Estimated magnitude of the input signal.

Data Types: single | double

Parameters**Phase detector integral gain — PD integral gain**

1000 (default) | positive scalar or vector

Integral gain for the phase detector. This determines the aggressiveness of the PLL in tracking and locking to the magnitude.

If the input signal is a vector, use scalar parameters or use vector parameters that are the same size as the input signal.

Loop filter proportional gain — LF proportional gain

400 (default) | positive scalar or vector

Proportional gain for the loop filter. This determines the aggressiveness of the PLL in tracking and locking to the phase angle. Increase this value to improve reaction time of the tracking to step changes in the phase angle.

If the input signal is a vector, use scalar parameters or use vector parameters that are the same size as the input signal.

Loop filter integral gain — LF integral gain

20000 (default) | positive scalar or vector

Integral gain for the loop filter. Increase this value to increase the rate at which steady-state error is eliminated in the phase angle. This value also determines the aggressiveness of the PLL in tracking and locking to the phase.

If the input signal is a vector, use scalar parameters or use vector parameters that are the same size as the input signal.

Initial frequency (Hz) — Initial frequency

60 Hz (default) | scalar or vector

Initial estimate of the input frequency. If the input signal is a vector, use scalar parameters or use vector parameters that are the same size as the input signal.

Initial phase angle (rad) — Initial phase

0 rad (default) | scalar or vector

Initial estimate of the phase angle. If the input signal is a vector, use scalar parameters or use vector parameters that are the same size as the input signal.

Initial magnitude — Initial magnitude

1 (default) | scalar or vector

Initial estimate of the magnitude. If the input signal is a vector, use scalar parameters or use vector parameters that are the same size as the input signal.

Sample time (-1 for inherited) – Block sample time

-1 (default) | 0 | positive scalar

Time between consecutive block executions. During execution, the block produces outputs and, if appropriate, updates its internal state. For more information, see “What Is Sample Time?” and “Specify Sample Time”.

For inherited discrete-time operation, specify -1. For discrete-time operation, specify a positive integer. For continuous-time operation, specify 0.

If this block is in a masked subsystem, or other variant subsystem that allows you to switch between continuous operation and discrete operation, promote the sample time parameter. Promoting the sample time parameter ensures correct switching between the continuous and discrete implementations of the block. For more information, see “Promote Parameter to Mask”.

References

- [1] Karimi-Ghartemani, M., and M. R. Iravani. "A New Phase-Locked Loop (PLL) System." *IEEE Transactions on Industrial Electronics*. Proceedings of the 44th IEEE Symposium on Circuits and Systems, vol. 1, pp. 421-424. IEEE, 2001..

Extended Capabilities**C/C++ Code Generation**

Generate C and C++ code using Simulink® Coder™.

See Also**Blocks**

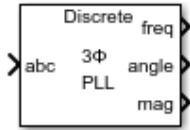
RMS Measurement | Three-Phase Sinusoidal Measurement (PLL)

Introduced in R2017b

Sinusoidal Measurement (PLL, Three-Phase)

Estimate three-phase sinusoidal characteristics using a phase-locked loop

Library: Simscape / Electrical / Control / Measurements



Description

The Sinusoidal Measurement (PLL, Three-Phase) block estimates the frequency characteristics of a balanced three-phase sinusoidal signal. The block uses a standard phase-locked loop (PLL) strategy to estimate the frequency and phase angle of the input signal. It also outputs the magnitude of the input signal.

Use this block in control applications when the frequency, phase angle, or magnitude are required and cannot be measured directly. To estimate the frequency characteristics of a non-three-phase or unbalanced sinusoidal signal, use the Sinusoidal Measurement (PLL) block instead.

Equations

The phase-locked loop generates a sinusoid that approximates the input signal $u(t)$ with the form:

$$y(t) = A(t)\sin\left(\phi_0 + \int 2\pi f(t)dt\right),$$

where:

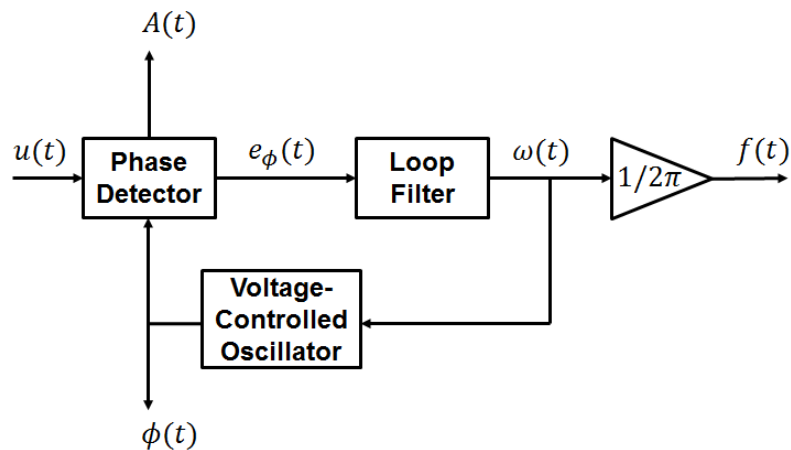
- y is the estimate of the input signal.
- A is the amplitude of the input signal.
- ϕ_0 is the initial phase angle of the input signal.

Because the input signal is assumed to be balanced, the block calculates the amplitude directly from the instantaneous amplitude of the three phases. The estimated phase angle ϕ is the angle of this generated sinusoid:

$$\phi(t) = \phi_0 + \int 2\pi f(t)dt,$$

where f is the frequency of the sinusoid, and ϕ_0 is the initial phase angle.

This diagram shows the overall structure of the phase-locked loop.



In the diagram:

- The phase detector produces an error signal relative to the phase difference e_ϕ between the input sinusoid u and the synthesized sinusoid y . It also outputs the amplitude A .
- The loop filter provides an estimate of the input angular frequency ω by filtering out the high-frequency components of the phase difference. The block also outputs the converted frequency f in Hz.
- The voltage-controlled oscillator integrates the angular speed to produce the phase estimate ϕ which it sends to the Phase Detector for comparison.

Ports

Input

abc — Input signal

vector

Three-phase input signal.

Data Types: `single` | `double`

Output

freq — Frequency

scalar

Estimated frequency of the input signal, in Hz.

Data Types: `single` | `double`

angle — Phase angle

scalar

Estimated phase angle of the first phase of the input signal, in rad.

Data Types: `single` | `double`

mag — Magnitude

scalar

Magnitude of the input signal.

Data Types: `single` | `double`

Parameters

Loop filter proportional gain — LF proportional gain

200 (default) | positive scalar

Proportional gain for the loop filter. Increase this value to increase the rate at which steady-state error is eliminated in the phase angle. This value also determines the aggressiveness of the PLL in tracking and locking to the phase angle.

Loop filter integral gain — LF integral gain

2000 (default) | positive scalar

Integral gain for the loop filter. This determines the aggressiveness of the PLL in tracking and locking to the phase. Increase this value to reduce and eliminate steady-state error in the phase angle.

Initial frequency (Hz) — Initial frequency

60 Hz (default) | scalar

Initial estimate of the input frequency.

Initial phase angle (rad) — Initial phase

0 rad (default) | scalar or vector

Initial estimate of the phase angle.

Sample time (-1 for inherited) — Block sample time

-1 (default) | 0 | positive scalar

Time between consecutive block executions. During execution, the block produces outputs and, if appropriate, updates its internal state. For more information, see “What Is Sample Time?” and “Specify Sample Time”.

For inherited discrete-time operation, specify -1. For discrete-time operation, specify a positive integer. For continuous-time operation, specify 0.

If this block is in a masked subsystem, or other variant subsystem that allows you to switch between continuous operation and discrete operation, promote the sample time parameter. Promoting the sample time parameter ensures correct switching between the continuous and discrete implementations of the block. For more information, see “Promote Parameter to Mask”.

Extended Capabilities

C/C++ Code Generation

Generate C and C++ code using Simulink® Coder™.

See Also

Blocks

RMS Measurement | Sinusoidal Measurement (PLL)

Introduced in R2017b

Sine Wave Generator (Three-Phase)

Discrete-time or continuous-time three-phase sine wave generator

Library: Simscape / Electrical / Control / General Control



Description

The Sine Wave Generator (Three-Phase) block generates a balanced three-phase sine wave from magnitude, phase shift, and frequency inputs.

Ports

Input

mag — Magnitude of generated three-phase sine wave

scalar

Magnitude of the generated three-phase sine wave, specified as a scalar.

ang — Phase shift of the generated three-phase sine wave, deg

scalar

Phase shift for phase *a* of the generated three-phase sine wave, specified as a scalar in degrees.

freq — Frequency of generated three-phase sine wave, Hz

scalar

Frequency of the generated three-phase sine wave, specified as a scalar in Hz.

Output

abc — Three-phase sine wave

vector

Three-phase sine wave, returned as a Simulink signal vector.

wt — Angle of sine wave of all three phases, rad

vector

Angle of all three phases of the sine wave, returned as a Simulink signal vector in rad.

Parameters

Sample time (-1 for inherited) — Block sample time

-1 (default) | 0 | positive scalar

Time between consecutive block executions. During execution, the block produces outputs and, if appropriate, updates its internal state. For more information, see “What Is Sample Time?” and “Specify Sample Time”.

For inherited discrete-time operation, specify -1. For discrete-time operation, specify a positive integer. For continuous-time operation, specify 0.

If this block is in a masked subsystem, or other variant subsystem that allows you to switch between continuous operation and discrete operation, promote the sample time parameter. Promoting the sample time parameter ensures correct switching between the continuous and discrete implementations of the block. For more information, see “Promote Parameter to Mask”.

Extended Capabilities

C/C++ Code Generation

Generate C and C++ code using Simulink® Coder™.

See Also

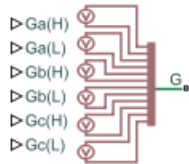
Stair Generator

Introduced in R2020a

Six-Pulse Gate Multiplexer

Multiplex gate input signals to Converter block

Library: Simscape / Electrical / Semiconductors & Converters / Converters



Description

The Six-Pulse Gate Multiplexer block routes gate voltage signals to the six switching devices in a Converter (Three-Phase) block. The block multiplexes the six separate gate signals into a single vector.

When you switch the block inputs to electrical ports, the block shows additional electrical reference input ports. The additional electrical reference ports are associated with the individual phase voltages that connect to the high-side switching devices in the Converter (Three-Phase) block and the negative DC voltage common to each low-side switching device in the Converter (Three-Phase) block.

Ports

Conserving

Ga(H) , Gb(H) , Gc(H) — Ga(H),Gb(H),Gc(H)

electrical

Ports associated with the gate terminals of the Converter (Three-Phase) block high-side switching devices. You can set the ports to either physical signal or electrical ports.

Ga(L) , Gb(L) , Gc(L) — Ga(L),Gb(L),Gc(L)

electrical

Ports associated with the gate terminals of the Converter (Three-Phase) block low-side switching devices. You can set the ports to either physical signal or electrical ports.

G — G

electrical

Vector output port associated with the multiplexed gate signals. Connect this port to the G port of the Converter (Three-Phase) block.

a , b , c — a,b,c

electrical

Electrical conserving ports associated with the individual phase voltages that connect to the high-side switching devices of the Converter (Three-Phase) block.

Dependencies

These ports are visible only when you set the input ports of the Six-Pulse Gate Multiplexer block to electrical ports.

L – L

electrical

Electrical conserving port associated with the negative DC voltage common to each low-side switching device in the Converter (Three-Phase) block.

Dependencies

These ports are visible only when you set the input ports of the Six-Pulse Gate Multiplexer block to electrical ports.

Extended Capabilities**C/C++ Code Generation**

Generate C and C++ code using Simulink® Coder™.

See Also

Converter (Three-Phase)

Topics

“Switch Between Physical Signal and Electrical Ports”

Introduced in R2013b

Sliding Mode Controller

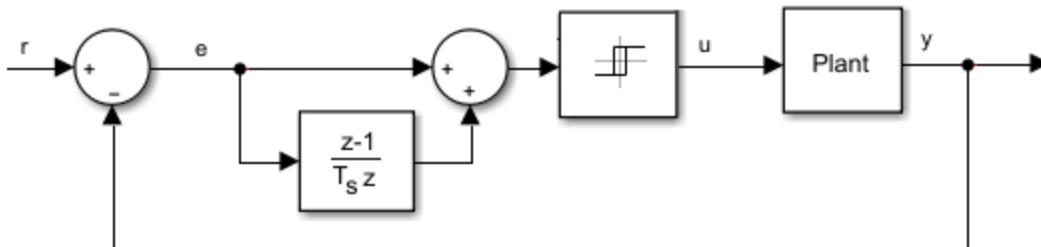
Hysteresis-based sliding mode control

Library: Simscape / Electrical / Control / General Control



Description

The Sliding Mode Controller block implements hysteresis-based sliding mode control (SMC).



Ports

Input

r – Plant reference

scalar

Plant system reference signal.

Data Types: single | double

y – Plant output

scalar

Plant system output signal.

Data Types: single | double

Output

u – Controller output

scalar

Control system output signal.

Data Types: single | double

Parameters

Hysteresis band — Hysteresis bandwidth

0.2 (default)

Total hysteresis bandwidth, distributed symmetrically about the set point.

Control action upper limit — Control signal upper limit, u_{max}

10 (default) | scalar greater than the value of the **Control action lower limit** parameter

Upper limit for the control output signal.

Control action lower limit — Control signal lower limit, u_{min}

-10 (default) | scalar

Lower limit for the control output signal.

Sample time (-1 for inherited) — Block sample time

-1 (default) | positive scalar

Time, in s, between consecutive block executions. During execution, the block produces outputs and, if appropriate, updates its internal state. For more information, see “What Is Sample Time?” and “Specify Sample Time”.

If this block is inside a triggered subsystem, inherit the sample time by setting this parameter to -1. If this block is in a continuous variable-step model, specify the sample time explicitly using a positive scalar.

Extended Capabilities

C/C++ Code Generation

Generate C and C++ code using Simulink® Coder™.

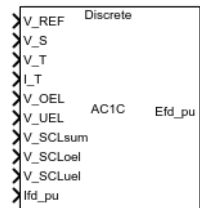
See Also

Introduced in R2018a

SM AC1C

Discrete-time or continuous-time synchronous machine AC1C excitation system including an automatic voltage regulator and an exciter

Library: Simscape / Electrical / Control / SM Control



Description

The SM AC1C block implements a synchronous machine type AC1C excitation system model in conformance with IEEE 421.5-2016^[1].

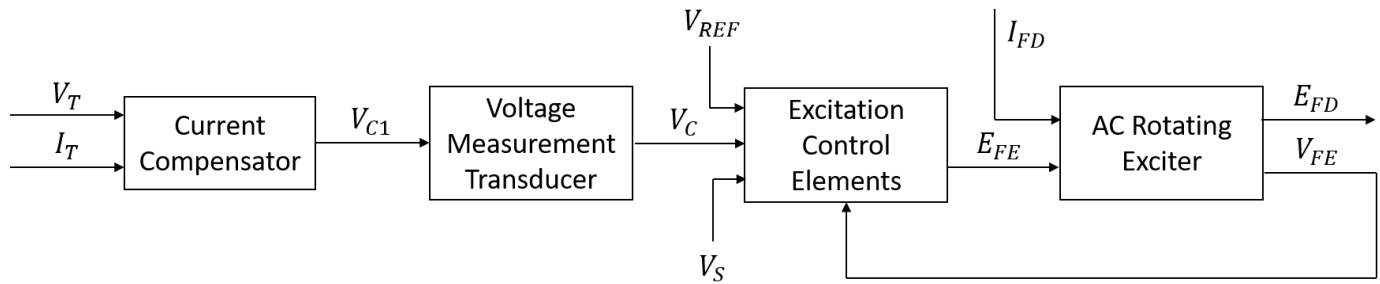
Use this block to model the control and regulation of the field voltage of a synchronous machine that operates as a generator using an AC rotating exciter.

You can switch between continuous and discrete implementations of the block by using the **Sample time (-1 for inherited)** parameter. To configure the integrator for continuous time, set the **Sample time (-1 for inherited)** property to 0. To configure the integrator for discrete time, set the **Sample time (-1 for inherited)** property to a positive, nonzero value, or to -1 to inherit the sample time from an upstream block.

The SM AC1C block is made up of four major components:

- The Current Compensator modifies the measured terminal voltage as a function of terminal current.
- The Voltage Measurement Transducer simulates the dynamics of a terminal voltage transducer using a low-pass filter.
- The Excitation Control Elements component compares the voltage transducer output with a terminal voltage reference to produce a voltage error. This voltage error is then passed through a voltage regulator to produce the exciter field voltage.
- The AC Rotating Exciter models the AC rotating exciter, which produces a field voltage that is applied to the controlled synchronous machine. The block also feeds the exciter field current (which is given the standard symbol V_{FE}) back to the excitation system.

This diagram shows the overall structure of the AC1C excitation system model:



In the diagram:

- V_T and I_T are the measured terminal voltage and current of the synchronous machine.
- V_{C1} is the current-compensated terminal voltage.
- V_C is the filtered, current-compensated terminal voltage.
- V_{REF} is the reference terminal voltage.
- V_S is the power system stabilizer voltage.
- E_{FE} and V_{FE} are the exciter field voltage and current, respectively.
- E_{FD} and I_{FD} are the field voltage and current, respectively.

The following sections describe each of the major parts of the block in detail.

Current Compensator and Voltage Measurement Transducer

The current compensator is modeled as:

$$V_{C1} = V_T + I_T \sqrt{R_C^2 + X_C^2},$$

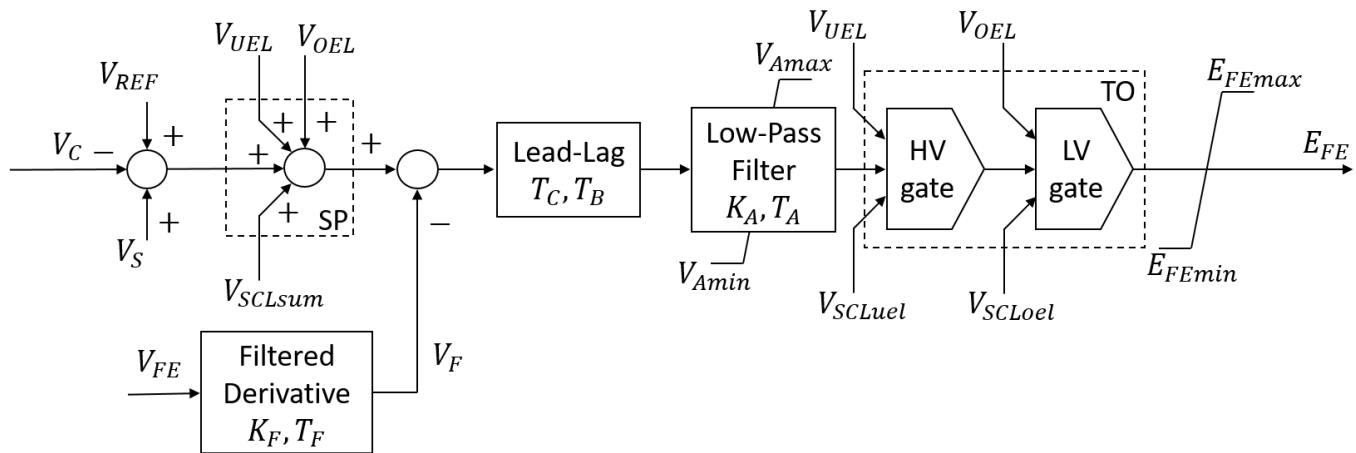
where:

- R_C is the load compensation resistance.
- X_C is the load compensation reactance.

The voltage measurement transducer is implemented as a Low-Pass Filter block with time constant T_R . Refer to the documentation for this block for the discrete and continuous implementations.

Excitation Control Elements

This diagram illustrates the overall structure of the excitation control elements:



In the diagram:

- SP is the summation point input location for the overexcitation limiter (OEL), underexcitation limiter (UEL), and stator current limiter (SCL) voltages. For more information about using limiters with this block, see “Field Current Limiters” on page 1-1469.
- The Lead-Lag block models additional dynamics associated with the voltage regulator. Here, T_C is the lead time constant and T_B is the lag time constant. Refer to the documentation for the Lead-Lag block for the discrete and continuous implementations.
- The Low-Pass Filter block models the major dynamics of the voltage regulator. Here, K_A is the regulator gain and T_A is the major time constant of the regulator. The minimum and maximum anti-windup saturation limits for the block are V_{Amin} and V_{Amax} , respectively.
- TO is the take-over point input location for the OEL, UEL, and SCL voltages. For more information about using limiters with this block, see “Field Current Limiters” on page 1-1469.
- The Filtered Derivative block models the rate feedback path for stabilization of the excitation system. Here, K_F and T_F are the gain and time constants of this system, respectively. Refer to the documentation for the Filtered Derivative block for the discrete and continuous implementations.
- E_{FEmin} and E_{FEmax} are the minimum and maximum saturation limits for the output exciter field voltage E_{FE} .

Field Current Limiters

You can use various field current limiters to modify the output of the voltage regulator under unsafe operating conditions:

- Use an overexcitation limiter to prevent overheating of the field winding due to excessive field current demand.
- Use an underexcitation limiter to boost field excitation when it is too low, which risks desynchronization.
- Use a stator current limiter to prevent overheating of the stator windings due to excessive current.

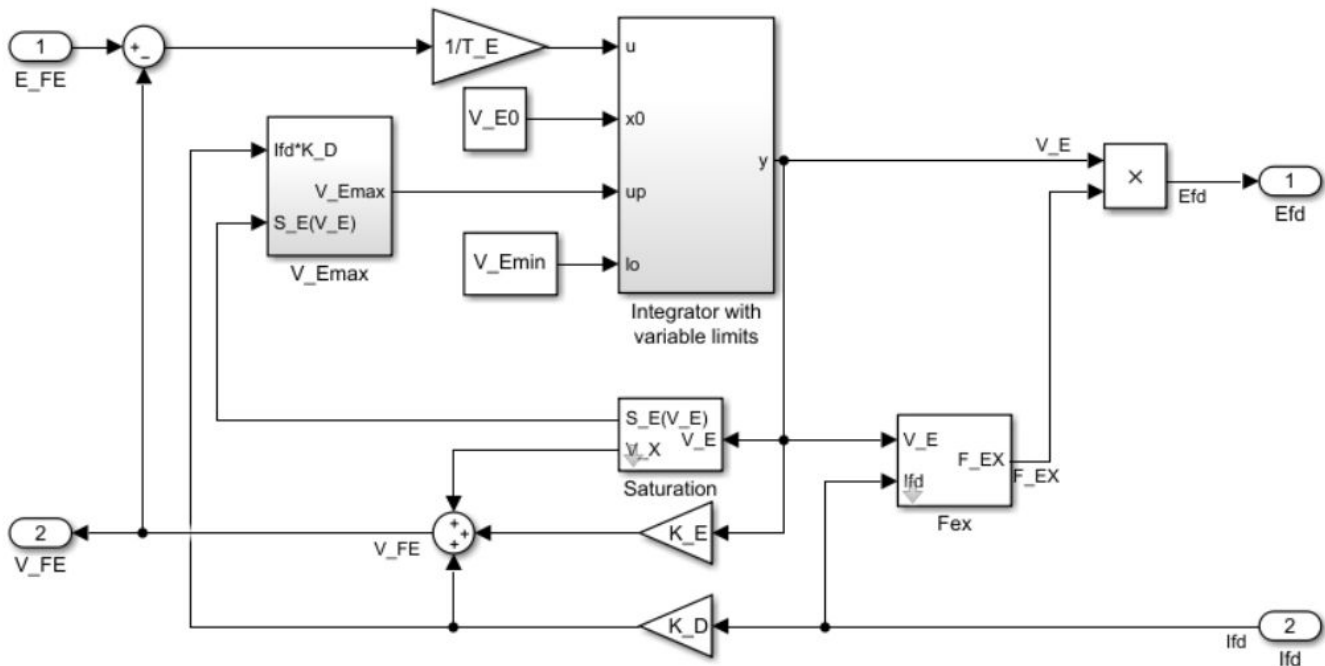
Attach the output of any of these limiters at one of these points:

- The summation point as part of the automatic voltage regulator (AVR) feedback loop
- The take-over point to override the usual behavior of the AVR

If you are using the stator current limiter at the summation point, use the single input V_{SCLsum} . If you are using the stator current limiter at the take-over point, use both the overexcitation input, V_{SCLoel} , and the underexcitation input, V_{SCLuel} .

AC Rotating Exciter

This diagram illustrates the overall structure of the AC rotating exciter:



In the diagram:

- The exciter field current V_{FE} is modeled as the summation of three signals:
 - The nonlinear function V_x models the saturation of the exciter output voltage.
 - The proportional term K_E models the linear relationship between exciter output voltage and the exciter field current.
 - The demagnetizing effect of the load current on the exciter output voltage is modeled using the demagnetization constant K_D in the feedback loop.
- The Integrator with variable limits subsystem integrates the difference between E_{FE} and V_{FE} to generate the exciter alternator output voltage V_E . T_E is the time constant for this process.
- The nonlinear function F_{EX} models the exciter output voltage drop from the rectifier regulation. This function depends on the constant K_C , which itself is a function of commutating reactance.
- The parameters V_{Emin} and V_{FEmax} model the lower and upper limits of the rotating exciter.

Ports

Input

V_REF – Voltage reference

scalar

Voltage regulator reference set point, in per-unit representation, specified as a scalar.

Data Types: single | double

V_S – Input from stabilizer

scalar

Input from the power system stabilizer, in per-unit representation, specified as a scalar.

Data Types: single | double

V_T – Terminal voltage

scalar

Terminal voltage magnitude in per-unit representation, specified as a scalar.

Data Types: single | double

I_T – Terminal current

scalar

Terminal current magnitude in per-unit representation, specified as a scalar.

Data Types: single | double

V_OEL – Overexcitation limit signal

scalar

Input from the overexcitation limiter, in per-unit representation, specified as a scalar.

Dependencies

- To ignore the input from the overexcitation limiter, set **Alternate OEL input locations (V_OEL)** to Unused.
- To use the input from the overexcitation limiter at the summation point, set **Alternate OEL input locations (V_OEL)** to Summation point.
- To use the input from the overexcitation limiter at the take-over point, set **Alternate OEL input locations (V_OEL)** to Take-over.

Data Types: single | double

V_UEL – Underexcitation limit signal

scalar

Input from the underexcitation limiter, in per-unit representation, specified as a scalar.

Dependencies

- To ignore the input from the underexcitation limiter, set **Alternate UEL input locations (V_UEL)** to Unused.
- To use the input from the underexcitation limiter at the summation point, set **Alternate UEL input locations (V_UEL)** to Summation point.
- To use the input from the underexcitation limiter at the take-over point, set **Alternate UEL input locations (V_UEL)** to Take-over.

Data Types: single | double

V_SCLsum — Summation point stator current limit signal

scalar

Input from the stator current limiter when using the summation point, in per-unit representation, specified as a scalar.

Dependencies

- To ignore the input from the stator current limiter, set **Alternate SCL input locations (V_SCL)** to Unused.
- To use the input from the stator current limiter at the summation point, set **Alternate SCL input locations (V_SCL)** to Summation point.

Data Types: single | double

V_SCLoel — Take-over stator current limit for overexcitation limiter

scalar

Input from the stator current limiter to prevent field overexcitation when using the take-over point, in per-unit representation, specified as a scalar.

Dependencies

- To ignore the input from the stator current limiter, set **Alternate SCL input locations (V_SCL)** to Unused.
- To use the input from the stator current limiter at the take-over point, set **Alternate SCL input locations (V_SCL)** to Take-over.

Data Types: single | double

V_SCLuel — Take-over stator current limit for underexcitation limiter

scalar

Input from the stator current limiter to prevent field underexcitation when using the take-over point, in per-unit representation, specified as a scalar.

Dependencies

- To ignore the input from the stator current limiter, set **Alternate SCL input locations (V_SCL)** to Unused.
- To use the input from the stator current limiter at the take-over point, set **Alternate SCL input locations (V_SCL)** to Take-over.

Data Types: single | double

Ifd_pu — Measured field current

scalar

Measured per-unit field current of the synchronous machine, specified as a scalar.

Data Types: single | double

Output**Efd_pu — Field voltage**

scalar

Per-unit field voltage to apply to the field circuit of the synchronous machine, returned as a scalar.

Data Types: `single` | `double`

Parameters

General

Initial field voltage, Efd0 (pu) — Initial output voltage

1 (default) | real number

Initial per-unit voltage to apply to the field circuit of the synchronous machine.

Sample time (-1 for inherited) — Block sample time

-1 (default) | 0 | positive scalar

Time between consecutive block executions. During execution, the block produces outputs and, if appropriate, updates its internal state. For more information, see “What Is Sample Time?” and “Specify Sample Time”.

For inherited discrete-time operation, specify -1. For discrete-time operation, specify a positive integer. For continuous-time operation, specify 0.

If this block is in a masked subsystem, or other variant subsystem that allows you to switch between continuous operation and discrete operation, promote the sample time parameter. Promoting the sample time parameter ensures correct switching between the continuous and discrete implementations of the block. For more information, see “Promote Parameter to Mask”.

Pre-Control

Resistive component of load compensation, R_C (pu) — Compensation resistance

0 (default) | positive number

Resistance used in the current compensation system. Set this parameter and **Reactance component of load compensation, X_C (pu)** to 0 to disable current compensation.

Reactance component of load compensation, X_C (pu) — Compensation reactance

0 (default) | positive number

Reactance used in the current compensation system. Set this parameter and **Resistive component of load compensation, R_C (pu)** to 0 to disable current compensation.

Regulator input filter time constant, T_R (s) — Regulator time constant

0 (default) | positive number

Equivalent time constant for the voltage transducer filtering.

Control

Regulator output gain, K_A (pu) — Regulator gain

400 (default) | positive number

Gain associated with the voltage regulator.

Regulator output time constant, T_A (s) — Regulator time constant

0.02 (default) | positive number

Major time constant of the voltage regulator.

Regulator denominator (lag) time constant, T_B (s) — Regulator lag time constant
0 (default) | positive number

Equivalent lag time constant in the voltage regulator. Set this parameter to 0 when the additional lag dynamics are negligible.

Regulator numerator (lead) time constant, T_C (s) — Regulator lead time constant
0 (default) | positive number

Equivalent lead time constant in the voltage regulator. Set this parameter to 0 when the additional lead dynamics are negligible.

Rate feedback excitation system stabilizer gain, K_F (pu) — Rate feedback gain
0.03 (default) | positive number

Rate feedback block gain for the stabilization of the excitation system.

Rate feedback time constant, T_F (s) — Rate feedback time constant
1 (default) | positive number

Rate feedback block time constant for the stabilization of the excitation system.

Maximum regulator output, V_{Amax} (pu) — Upper limit of the regulator output
14.5 (default) | real number

Maximum per-unit output voltage of the regulator.

Minimum regulator output, V_{Amin} (pu) — Lower limit of the regulator output
-14.5 (default) | real number

Minimum per-unit output voltage of the regulator.

Maximum exciter field voltage, E_{FEmax} (pu) — Upper limit of the exciter voltage
6.03 (default) | real number

Maximum per-unit field voltage to apply to the exciter.

Minimum exciter field voltage, E_{FEmin} (pu) — Lower limit of the exciter voltage
-5.43 (default) | real number

Minimum per unit field voltage to apply to the exciter.

Alternate OEL input locations (V_{OEL}) — OEL input location
Unused (default) | Summation point | Take-over

Location of the overexcitation limiter input.

Alternate UEL input locations (V_{UEL}) — UEL input location
Unused (default) | Summation point | Take-over

Location of the underexcitation limiter input.

Alternate SCL input locations (V_{SCL}) — SCL input location
Unused (default) | Summation point | Take-over

Location of the stator current limiter input:

- If you select **Summation point**, use the **V_SCLsum** input port.
- If you select **Take-over**, use the **V_SCLoel** and **V_SCLuel** input ports.

Exciter

Exciter field proportional constant, K_E (pu) – Exciter field gain

1 (default) | positive number

Proportional constant for the exciter field.

Exciter field time constant, T_E (s) – Exciter field time constant

0.8 (default) | positive number

Time constant for the exciter field.

Rectifier loading factor proportional to commutating reactance, K_C (pu) – Rectifier loading factor

0.2 (default) | positive number

Rectifier loading factor proportional to the commutating reactance.

Demagnetizing factor, function of exciter alternator reactances, K_D (pu) – Demagnetization factor

0.38 (default) | positive number

Demagnetization factor related to the exciter alternator reactances.

Exciter output voltage for saturation factor S_E(E_1), E_1 (pu) – First saturation output voltage

4.18 (default) | positive number

Exciter output voltage for the first saturation factor.

Exciter saturation factor at exciter output voltage E_1, S_E(E_1) (1) – First saturation lookup voltage

0.1 (default) | positive number

Saturation factor for the first exciter.

Exciter output voltage for saturation factor S_E(E_2), E_2 (pu) – Second saturation output voltage

3.14 (default) | positive number

Exciter output voltage for the second saturation factor.

Exciter saturation factor at exciter output voltage E_2, S_E(E_2) (1) – Second saturation lookup voltage

0.03 (default) | positive number

Saturation factor for the second exciter

Maximum exciter field current limit reference, V_FEmax (pu) – Exciter upper limit

99 (default) | real number

Maximum per-unit field current limit reference.

Minimum exciter voltage output, V_Emin (pu) — Exciter lower limit

0 (default) | real number

Minimum per-unit exciter voltage output.

References

[1] *IEEE Recommended Practice for Excitation System Models for Power System Stability Studies*. IEEE Std 421.5-2016. Piscataway, NJ: IEEE-SA, 2016.

Extended Capabilities

C/C++ Code Generation

Generate C and C++ code using Simulink® Coder™.

See Also

Blocks

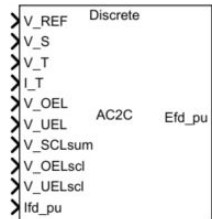
Lead-Lag (Discrete or Continuous) | PMSM Current Controller with Pre-Control | PMSM Current Reference Generator | SM AC2C | SM AC3C | SM AC4C | SM AC5C | SM AC6C | SM AC7C | SM AC8C

Introduced in R2017b

SM AC2C

Discrete-time or continuous-time synchronous machine AC2C excitation system including an automatic voltage regulator and an exciter

Library: Simscape / Electrical / Control / SM Control



Description

The SM AC2C block implements a synchronous machine type AC2C excitation system model in conformance with IEEE 421.5-2016^[1].

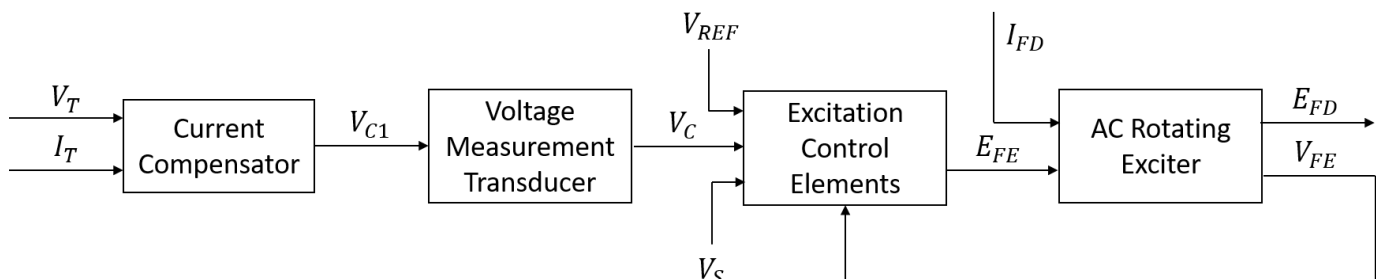
Use this block to model the control and regulation of the field voltage of a synchronous machine that operates as a generator using an AC rotating exciter.

You can switch between continuous and discrete implementations of the block by using the **Sample time (-1 for inherited)** parameter. To configure the integrator for continuous time, set the **Sample time (-1 for inherited)** property to 0. To configure the integrator for discrete time, set the **Sample time (-1 for inherited)** property to a positive, nonzero value, or to -1 to inherit the sample time from an upstream block.

The SM AC2C block is made up of four major components:

- The Current Compensator modifies the measured terminal voltage as a function of terminal current.
- The Voltage Measurement Transducer simulates the dynamics of a terminal voltage transducer using a low-pass filter.
- The Excitation Control Elements component compares the voltage transducer output with a terminal voltage reference to produce a voltage error. This voltage error is then passed through a voltage regulator to produce the exciter field voltage.
- The AC Rotating Exciter models the AC rotating exciter, which produces a field voltage that is applied to the controlled synchronous machine. The block also feeds the exciter field current (which is given the standard symbol V_{FE}) back to the excitation system.

This diagram shows the overall structure of the AC2C excitation system model:



In the diagram:

- V_T and I_T are the measured terminal voltage and current of the synchronous machine.
- V_{C1} is the current-compensated terminal voltage.
- V_C is the filtered, current-compensated terminal voltage.
- V_{REF} is the reference terminal voltage.
- V_S is the power system stabilizer voltage.
- E_{FE} and V_{FE} are the exciter field voltage and current, respectively.
- E_{FD} and I_{FD} are the field voltage and current, respectively.

The following sections describe each of the major parts of the block in detail.

Current Compensator and Voltage Measurement Transducer

The current compensator is modeled as:

$$V_{C1} = V_T + I_T \sqrt{R_C^2 + X_C^2}$$

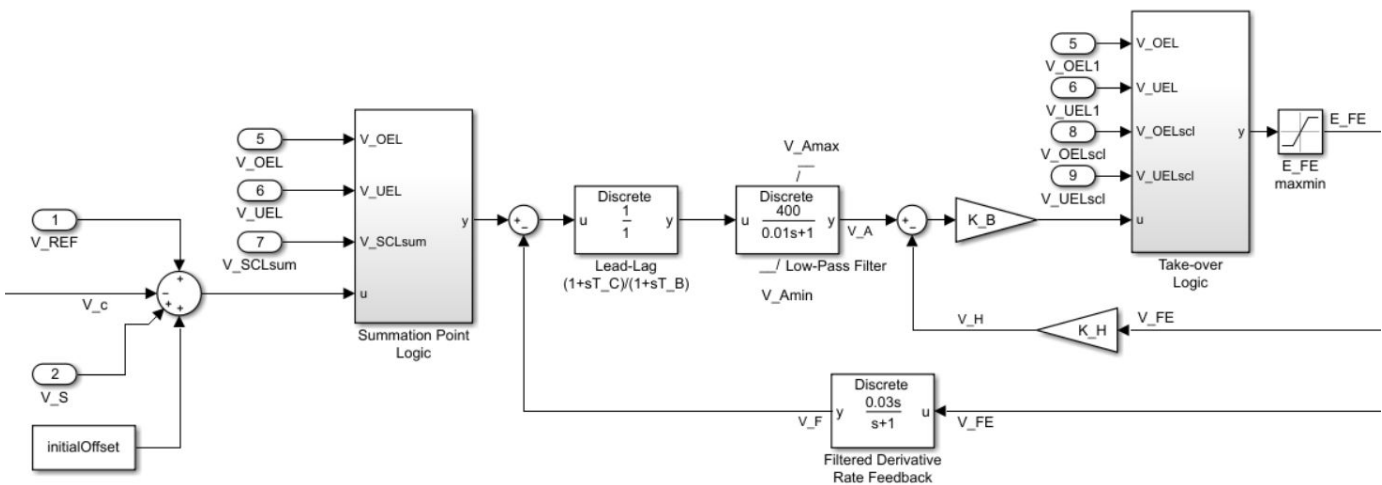
where:

- R_C is the load compensation resistance.
- X_C is the load compensation reactance.

The voltage measurement transducer is implemented as a Low-Pass Filter block with time constant T_R . Refer to the documentation for this block for the discrete and continuous implementations.

Excitation Control Elements

This diagram illustrates the overall structure of the excitation control elements:



In the diagram:

- The Summation Point Logic subsystem models the summation point input location for the overexcitation limiter (OEL), underexcitation limiter (UEL), and stator current limiter (SCL) voltages. For more information about using limiters with this block, see “Field Current Limiters” on page 1-1479.

- The Lead-Lag block models additional dynamics associated with the voltage regulator. Here, T_C is the lead time constant and T_B is the lag time constant. Refer to the documentation for the Lead-Lag block for the discrete and continuous implementations.
- The Low-Pass Filter block models the major dynamics of the voltage regulator. Here, K_A is the regulator gain and T_A is the major time constant of the regulator. The minimum and maximum anti-windup saturation limits for the block are V_{Amin} and V_{Amax} , respectively.
- The Take-over Logic subsystem models the take-over point input location for the OEL, UEL, and SCL voltages. For more information about using limiters with this block, see “Field Current Limiters” on page 1-1479.
- The Filtered Derivative block models the rate feedback path for the stabilization of the excitation system. Here, K_F and T_F are the gain and time constants of this system, respectively. Refer to the documentation for the Filtered Derivative block for the discrete and continuous implementations.
- To increase the small signal response bandwidth of the excitation system, a direct negative feedback, V_H , models the implementation of an exciter time constant compensation. The time constant is reduced by a factor proportional to the **Second stage regulator gain, K_B (pu)** and **Exciter field current regulator feedback gain, K_H (pu)** parameters.
- E_{FEmin} and E_{FEmax} are the minimum and maximum saturation limits for the output exciter field voltage E_{FE} .

Field Current Limiters

You can use various field current limiters to modify the output of the voltage regulator under unsafe operating conditions:

- Use an overexcitation limiter to prevent overheating of the field winding due to excessive field current demand.
- Use an underexcitation limiter to boost field excitation when it is too low, which risks desynchronization.
- Use a stator current limiter to prevent overheating of the stator windings due to excessive current.

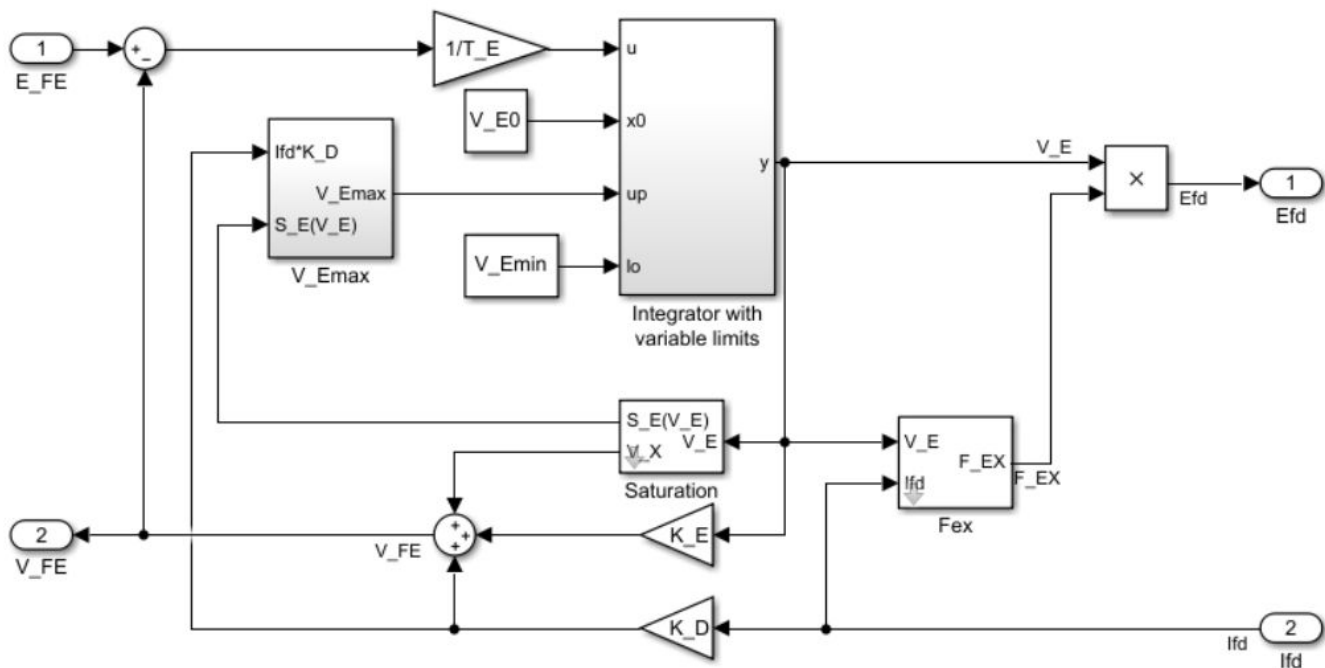
Attach the output of any of these limiters at one of these points:

- The summation point as part of the automatic voltage regulator (AVR) feedback loop
- The take-over point to override the usual behavior of the AVR

If you are using the stator current limiter at the summation point, use the single input V_{SCLsum} . If you are using the stator current limiter at the take-over point, use both the overexcitation input, V_{OELscl} , and the underexcitation input, V_{UELscl} .

AC Rotating Exciter

This diagram illustrates the overall structure of the AC rotating exciter:



In the diagram:

- The exciter field current V_{FE} is modeled as the summation of three signals:
 - The nonlinear function V_x models the saturation of the exciter output voltage.
 - The proportional term K_E models the linear relationship between exciter output voltage and the exciter field current.
 - The demagnetizing effect of the load current on the exciter output voltage is modeled using the demagnetization constant K_D in the feedback loop.
- The Integrator with variable limits subsystem integrates the difference between E_{FE} and V_{FE} to generate the exciter alternator output voltage V_E . T_E is the time constant for this process.
- The nonlinear function F_{EX} models the exciter output voltage drop from the rectifier regulation. This function depends on the constant K_C , which itself is a function of commutating reactance.
- The parameters V_{Emin} and V_{FEmax} model the lower and upper limits of the rotating exciter.

Ports

Input

V_REF – Voltage reference

scalar

Voltage regulator reference set point, in per-unit representation, specified as a scalar.

Data Types: single | double

V_S – Input from stabilizer

scalar

Input from the power system stabilizer, in per-unit representation, specified as a scalar.

Data Types: single | double

V_T — Terminal voltage

scalar

Terminal voltage magnitude in per-unit representation, specified as a scalar.

Data Types: single | double

I_T — Terminal current

scalar

Terminal current magnitude in per-unit representation, specified as a scalar.

Data Types: single | double

V_OEL — Overexcitation limit signal

scalar

Input from the overexcitation limiter, in per-unit representation, specified as a scalar.

Dependencies

- To ignore the input from the overexcitation limiter, set **Alternate OEL input locations (V_OEL)** to Unused.
- To use the input from the overexcitation limiter at the summation point, set **Alternate OEL input locations (V_OEL)** to Summation point.
- To use the input from the overexcitation limiter at the take-over point, set **Alternate OEL input locations (V_OEL)** to Take-over.

Data Types: single | double

V_UEL — Underexcitation limit signal

scalar

Input from the underexcitation limiter, in per-unit representation, specified as a scalar.

Dependencies

- To ignore the input from the underexcitation limiter, set **Alternate UEL input locations (V_UEL)** to Unused.
- To use the input from the underexcitation limiter at the summation point, set **Alternate UEL input locations (V_UEL)** to Summation point.
- To use the input from the underexcitation limiter at the take-over point, set **Alternate UEL input locations (V_UEL)** to Take-over.

Data Types: single | double

V_SCLsum — Summation point stator current limit signal

scalar

Input from the stator current limiter when using the summation point, in per-unit representation, specified as a scalar.

Dependencies

- To ignore the input from the stator current limiter, set **Alternate SCL input locations (V_SCL)** to Unused.
- To use the input from the stator current limiter at the summation point, set **Alternate SCL input locations (V_SCL)** to Summation point.

Data Types: single | double

V_0ELscl – Take-over stator current limit for overexcitation limiter

scalar

Input from the stator current limiter to prevent field overexcitation when using the take-over point, in per-unit representation, specified as a scalar.

Dependencies

- To ignore the input from the stator current limiter, set **Alternate SCL input locations (V_SCL)** to Unused.
- To use the input from the stator current limiter at the take-over point, set **Alternate SCL input locations (V_SCL)** to Take-over.

Data Types: single | double

V_UELscl – Take-over stator current limit for underexcitation limiter

scalar

Input from the stator current limiter to prevent field underexcitation when using the take-over point, in per-unit representation, specified as a scalar.

Dependencies

- To ignore the input from the stator current limiter, set **Alternate SCL input locations (V_SCL)** to Unused.
- To use the input from the stator current limiter at the take-over point, set **Alternate SCL input locations (V_SCL)** to Take-over.

Data Types: single | double

Ifd_pu – Measured field current

scalar

Measured per-unit field current of the synchronous machine, specified as a scalar.

Data Types: single | double

Output**Efd_pu – Field voltage**

scalar

Per-unit field voltage to apply to the field circuit of the synchronous machine, returned as a scalar.

Data Types: single | double

Parameters

General

Initial field voltage, E_{fd0} (pu) — Initial output voltage

1 (default) | real number

Initial per-unit voltage to apply to the field circuit of the synchronous machine.

Sample time (-1 for inherited) — Block sample time

-1 (default) | 0 | positive scalar

Time between consecutive block executions. During execution, the block produces outputs and, if appropriate, updates its internal state. For more information, see “What Is Sample Time?” and “Specify Sample Time”.

For inherited discrete-time operation, specify -1. For discrete-time operation, specify a positive integer. For continuous-time operation, specify 0.

If this block is in a masked subsystem, or other variant subsystem that allows you to switch between continuous operation and discrete operation, promote the sample time parameter. Promoting the sample time parameter ensures correct switching between the continuous and discrete implementations of the block. For more information, see “Promote Parameter to Mask”.

Pre-Control

Resistive component of load compensation, R_C (pu) — Compensation resistance

0 (default) | positive number

Resistance used in the current compensation system. Set this parameter and **Reactance component of load compensation, X_C (pu)** to 0 to disable current compensation.

Reactance component of load compensation, X_C (pu) — Compensation reactance

0 (default) | positive number

Reactance used in the current compensation system. Set this parameter and **Resistive component of load compensation, R_C (pu)** to 0 to disable current compensation.

Regulator input filter time constant, T_R (s) — Regulator time constant

0 (default) | positive number

Equivalent time constant for the voltage transducer filtering.

Control

Regulator output gain, K_A (pu) — Regulator gain

400 (default) | positive number

Gain associated with the voltage regulator.

Regulator output time constant, T_A (s) — Regulator time constant

0.01 (default) | positive number

Major time constant of the voltage regulator.

Regulator denominator (lag) time constant, T_B (s) — Regulator lag time constant
0 (default) | positive number

Equivalent lag time constant in the voltage regulator. Set parameter this to 0 when the additional lag dynamics are negligible.

Regulator numerator (lead) time constant, T_C (s) — Regulator lead time constant
0 (default) | positive number

Equivalent lead time constant in the voltage regulator. Set this parameter to 0 when the additional lead dynamics are negligible.

Second stage regulator gain, K_B (pu) — Second stage regulator gain
25 (default) | positive number

Per-unit gain of the second stage regulator.

Exciter field current regulator feedback gain, K_H (pu) — Exciter field current regulator feedback gain

1 (default) | positive number

Per-unit feedback gain for the exciter field current regulator.

Rate feedback excitation system stabilizer gain, K_F (pu) — Rate feedback gain
0.03 (default) | positive number

Rate feedback block gain for the stabilization of the excitation system.

Rate feedback time constant, T_F (s) — Rate feedback time constant

1 (default) | positive number

Rate feedback block time constant for the stabilization of the excitation system.

Maximum regulator output, V_{Amax} (pu) — Upper limit of the regulator output
8 (default) | real number

Maximum per-unit output voltage of the regulator.

Minimum regulator output, V_{Amin} (pu) — Lower limit of the regulator output
-8 (default) | real number

Minimum per-unit output voltage of the regulator.

Maximum exciter field voltage, E_{Fmax} (pu) — Upper limit of the exciter voltage
105 (default) | real number

Maximum per-unit field voltage to apply to the exciter.

Minimum exciter field voltage, E_{Fmin} (pu) — Lower limit of the exciter voltage
-95 (default) | real number

Minimum per-unit field voltage to apply to the exciter.

Alternate OEL input locations (V_{OEL}) — OEL input location
Unused (default) | Summation point | Take-over

Location of the overexcitation limiter input.

Alternate UEL input locations (V_UEL) – UEL input location

Unused (default) | Summation point | Take-over

Location of the underexcitation limiter input.

Alternate SCL input locations (V_SCL) – SCL input location

Unused (default) | Summation point | Take-over

Location of the stator current limiter input:

- If you select *Summation point*, use the **V_SCLsum** input port.
- If you select *Take-over*, use the **V_OELscl** and **V_UELscl** input ports.

Exciter

Exciter field proportional constant, K_E (pu) – Exciter field gain

1 (default) | positive number

Proportional constant for the exciter field.

Exciter field time constant, T_E (s) – Exciter field time constant

0.6 (default) | positive number

Time constant for the exciter field.

Rectifier loading factor proportional to commutating reactance, K_C (pu) – Rectifier loading factor

0.28 (default) | positive number

Rectifier loading factor proportional to the commutating reactance.

Demagnetizing factor, function of exciter alternator reactances, K_D (pu) – Demagnetization factor

0.35 (default) | positive number

Demagnetization factor related to the exciter alternator reactances.

Exciter output voltage for saturation factor S_E(E_1), E_1 (pu) – First saturation output voltage

4.4 (default) | positive number

Exciter output voltage for the first saturation factor.

Exciter saturation factor at exciter output voltage E_1, S_E(E_1) (1) – First saturation lookup voltage

0.037 (default) | positive number

Saturation factor for the first exciter.

Exciter output voltage for saturation factor S_E(E_2), E_2 (pu) – Second saturation output voltage

3.3 (default) | positive number

Exciter output voltage for the second saturation factor.

Exciter saturation factor at exciter output voltage E_2, S_E(E_2) (1) – Second saturation lookup voltage

0.012 (default) | positive number

Saturation factor for the second exciter.

Maximum exciter field current limit reference, V_FEmax (pu) – Exciter upper limit

4.4 (default) | real number

Maximum per-unit field current limit reference.

Minimum exciter voltage output, V_Emin (pu) – Exciter lower limit

0 (default) | real number

Minimum per-unit exciter voltage output.

References

- [1] *IEEE Recommended Practice for Excitation System Models for Power System Stability Studies*. IEEE Std 421.5-2016. Piscataway, NJ: IEEE-SA, 2016.

Extended Capabilities

C/C++ Code Generation

Generate C and C++ code using Simulink® Coder™.

See Also

Blocks

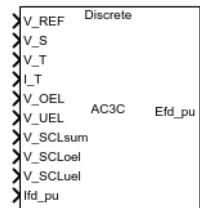
SM AC1C | SM AC3C | SM AC4C | SM AC5C | SM AC6C | SM AC7C | SM AC8C

Introduced in R2020a

SM AC3C

Discrete-time or continuous-time synchronous machine AC3C excitation system including an automatic voltage regulator and an exciter

Library: Simscape / Electrical / Control / SM Control



Description

The SM AC3C block implements a synchronous machine type AC3C excitation system model in conformance with IEEE 421.5-2016^[1].

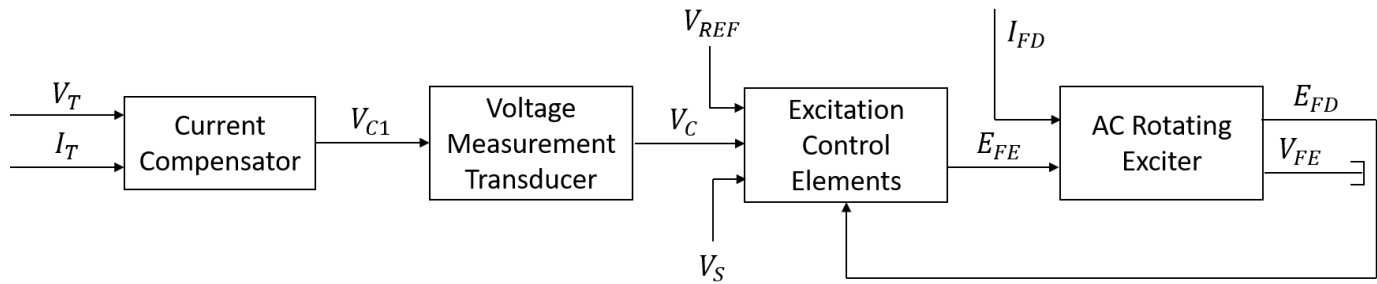
Use this block to model the control and regulation of the field voltage of a synchronous machine that operates as a generator using an AC rotating exciter.

You can switch between continuous and discrete implementations of the block by using the **Sample time (-1 for inherited)** parameter. To configure the integrator for continuous time, set the **Sample time (-1 for inherited)** property to 0. To configure the integrator for discrete time, set the **Sample time (-1 for inherited)** property to a positive, nonzero value, or to -1 to inherit the sample time from an upstream block.

The SM AC3C block is made up of four major components:

- The Current Compensator modifies the measured terminal voltage as a function of terminal current.
- The Voltage Measurement Transducer simulates the dynamics of a terminal voltage transducer using a low-pass filter.
- The Excitation Control Elements component compares the voltage transducer output with a terminal voltage reference to produce a voltage error. This voltage error is then passed through a voltage regulator to produce the exciter field voltage.
- The AC Rotating Exciter models the AC rotating exciter, which produces a field voltage that is applied to the controlled synchronous machine. The block also feeds the exciter field current (which is given the standard symbol V_{FE}) back to the excitation system.

This diagram shows the overall structure of the AC3C excitation system model:



In the diagram:

- V_T and I_T are the measured terminal voltage and current of the synchronous machine.
- V_{C1} is the current-compensated terminal voltage.
- V_C is the filtered, current-compensated terminal voltage.
- V_{REF} is the reference terminal voltage.
- V_S is the power system stabilizer voltage.
- E_{FE} and V_{FE} are the exciter field voltage and current, respectively.
- E_{FD} and I_{FD} are the field voltage and current, respectively.

The following sections describe each of the major parts of the block in detail.

Current Compensator and Voltage Measurement Transducer

The current compensator is modeled as:

$$V_{C1} = V_T + I_T \sqrt{R_C^2 + X_C^2},$$

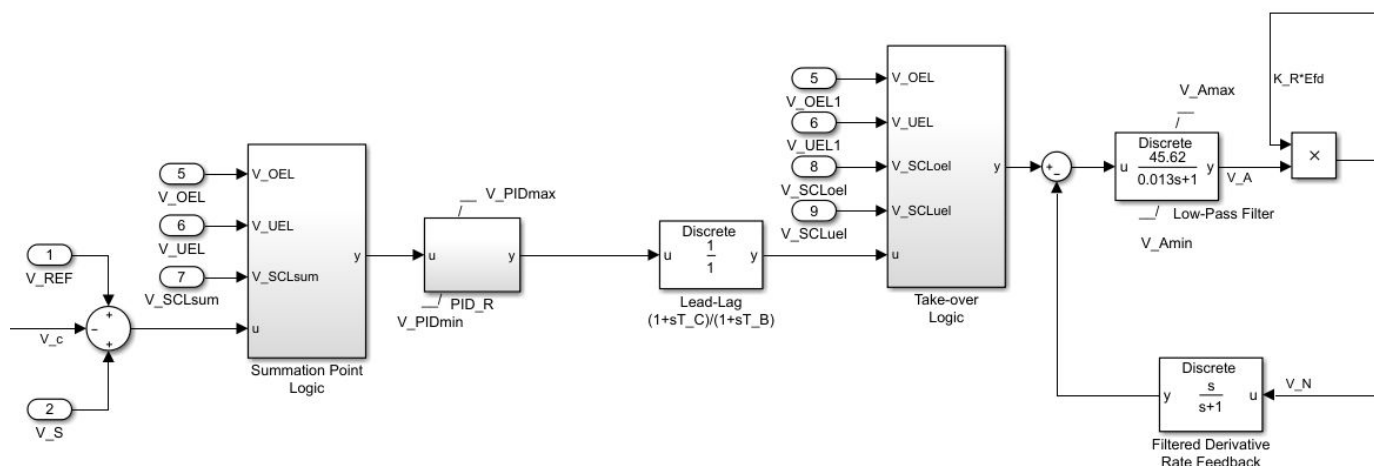
where:

- R_C is the load compensation resistance.
- X_C is the load compensation reactance.

The voltage measurement transducer is implemented as a Low-Pass Filter block with time constant T_R . Refer to the documentation for this block for the discrete and continuous implementations.

Excitation Control Elements

This diagram illustrates the overall structure of the excitation control elements:



In the diagram:

- The Summation Point Logic subsystem models the summation point input location for the overexcitation limiter (OEL), underexcitation limiter (UEL), and stator current limiter (SCL) voltages. For more information about using limiters with this block, see “Field Current Limiters” on page 1-1490.
- The PID_R subsystem models a PID controller and it allows the representation of retrofit projects, where a modern digital exciter is added to the exciter. It is possible to model a SM AC3A excitation system model by tuning the PID parameters.
- The Lead-Lag block models additional dynamics associated with the voltage regulator. Here, T_C is the lead time constant and T_B is the lag time constant. Refer to the documentation for the Lead-Lag block for the discrete and continuous implementations.
- The Take-over Logic subsystem models the take-over point input location for the OEL, UEL, and SCL voltages. For more information about using limiters with this block, see “Field Current Limiters” on page 1-1490.
- The Low-Pass Filter block models the major dynamics of the voltage regulator. Here, K_A is the regulator gain and T_A is the major time constant of the regulator. The minimum and maximum anti-windup saturation limits for the block are V_{Amin} and V_{Amax} , respectively.
- The voltage regulator power is derived from the exciter output voltage. The voltage regulator command signal, V_A , is multiplied by the exciter output voltage, E_{FD} , and multiplied by K_R . This adds a level of nonlinearity to the system.
- The Filtered Derivative block models the rate feedback path for stabilization of the excitation system. In this case, the stabilizer has a nonlinear characteristic. If the exciter output voltage, E_{FD} , is less than the **Value of EFD at which feedback gain changes, E_FDN (pu)** parameter, the feedback gain is K_F . If the exciter output voltage is greater than the **Value of EFD at which feedback gain changes, E_FDN (pu)** parameter, the feedback gain is K_N . Refer to the documentation for the Filtered Derivative block for the exact discrete and continuous implementations.
- E_{FEmin} and E_{FEmax} are the minimum and maximum saturation limits for the output exciter field voltage E_{FE} .

Field Current Limiters

You can use various field current limiters to modify the output of the voltage regulator under unsafe operating conditions:

- Use an overexcitation limiter to prevent overheating of the field winding due to excessive field current demand.
- Use an underexcitation limiter to boost field excitation when it is too low, which risks desynchronization.
- Use a stator current limiter to prevent overheating of the stator windings due to excessive current.

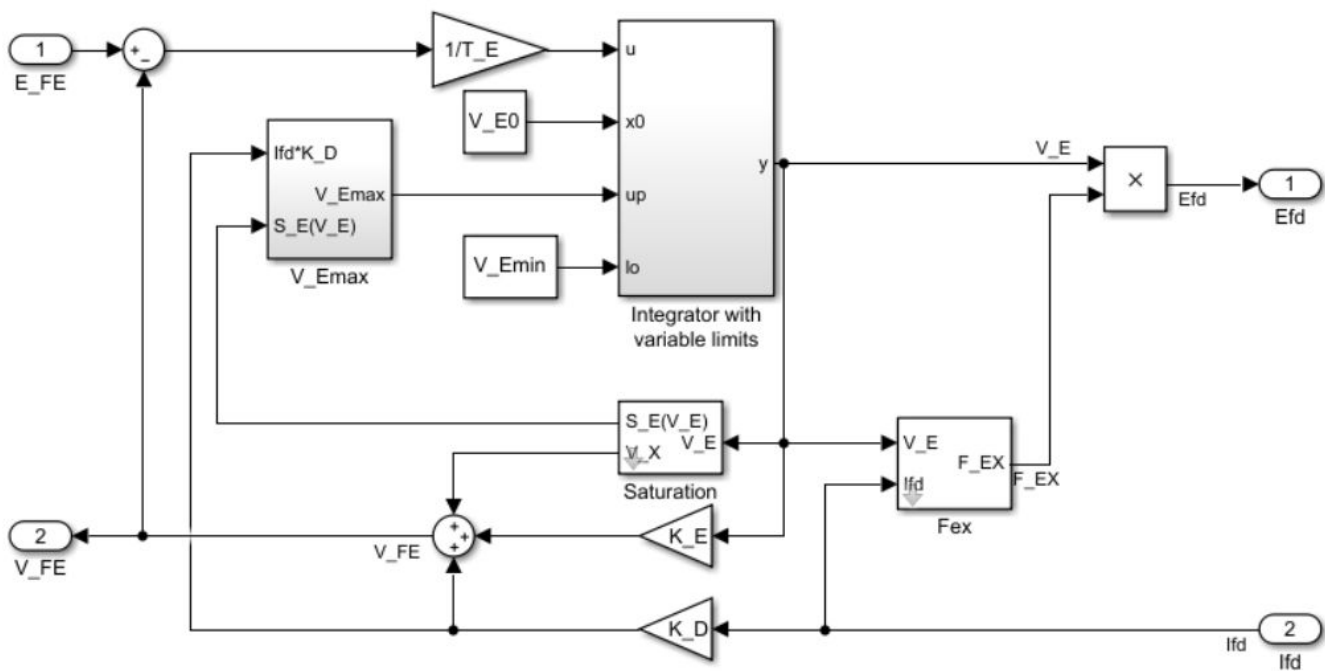
Attach the output of any of these limiters at one of these points:

- The summation point as part of the automatic voltage regulator (AVR) feedback loop
- The take-over point to override the usual behavior of the AVR

If you are using the stator current limiter at the summation point, use the single input V_{SCLsum} . If you are using the stator current limiter at the take-over point, use both the overexcitation input, V_{SCLoel} , and the underexcitation input, V_{SCLuel} .

AC Rotating Exciter

This diagram illustrates the overall structure of the AC rotating exciter:



In the diagram:

- The exciter field current V_{FE} is modeled as the summation of three signals:
 - The nonlinear function V_x models the saturation of the exciter output voltage.

- The proportional term K_E models the linear relationship between exciter output voltage and the exciter field current.
- The demagnetizing effect of the load current on the exciter output voltage is modeled using the demagnetization constant K_D in the feedback loop.
- The Integrator with variable limits subsystem integrates the difference between E_{FE} and V_{FE} to generate the exciter alternator output voltage V_E . T_E is the time constant for this process.
- The nonlinear function F_{EX} models the exciter output voltage drop from the rectifier regulation. This function depends on the constant K_C , which itself is a function of commutating reactance.
- The parameters V_{Emin} and V_{FEmax} model the lower and upper limits of the rotating exciter.

Ports

Input

V_REF — Voltage reference

scalar

Voltage regulator reference set point, in per-unit representation, specified as a scalar.

Data Types: single | double

V_S — Input from stabilizer

scalar

Input from the power system stabilizer, in per-unit representation, specified as a scalar.

Data Types: single | double

V_T — Terminal voltage

scalar

Terminal voltage magnitude in per-unit representation, specified as a scalar.

Data Types: single | double

I_T — Terminal current

scalar

Terminal current magnitude in per-unit representation, specified as a scalar.

Data Types: single | double

V_OEL — Overexcitation limit signal

scalar

Input from the overexcitation limiter, in per-unit representation, specified as a scalar.

Dependencies

- To ignore the input from the overexcitation limiter, set **Alternate OEL input locations (V_OEL)** to Unused.
- To use the input from the overexcitation limiter at the summation point, set **Alternate OEL input locations (V_OEL)** to Summation point.
- To use the input from the overexcitation limiter at the take-over point, set **Alternate OEL input locations (V_OEL)** to Take-over.

Data Types: single | double

V_UEL — Underexcitation limit signal

scalar

Input from the underexcitation limiter, in per-unit representation, specified as a scalar.

Dependencies

- To ignore the input from the underexcitation limiter, set **Alternate UEL input locations (V_UEL)** to Unused.
- To use the input from the underexcitation limiter at the summation point, set **Alternate UEL input locations (V_UEL)** to Summation point.
- To use the input from the underexcitation limiter at the take-over point, set **Alternate UEL input locations (V_UEL)** to Take-over.

Data Types: single | double

V_SCLsum — Summation point stator current limit signal

scalar

Input from the stator current limiter when using the summation point, in per-unit representation, specified as a scalar.

Dependencies

- To ignore the input from the stator current limiter, set **Alternate SCL input locations (V_SCL)** to Unused.
- To use the input from the stator current limiter at the summation point, set **Alternate SCL input locations (V_SCL)** to Summation point.

Data Types: single | double

V_SCLoe1 — Take-over stator current limit for overexcitation limiter

scalar

Input from the stator current limiter to prevent field overexcitation when using the take-over point, in per-unit representation, specified as a scalar.

Dependencies

- To ignore the input from the stator current limiter, set **Alternate SCL input locations (V_SCL)** to Unused.
- To use the input from the stator current limiter at the take-over point, set **Alternate SCL input locations (V_SCL)** to Take-over.

Data Types: single | double

V_SCLue1 — Take-over stator current limit for underexcitation limiter

scalar

Input from the stator current limiter to prevent field underexcitation when using the take-over point, in per-unit representation, specified as a scalar.

Dependencies

- To ignore the input from the stator current limiter, set **Alternate SCL input locations (V_SCL)** to Unused.
- To use the input from the stator current limiter at the take-over point, set **Alternate SCL input locations (V_SCL)** to Take-over.

Data Types: single | double

I_{fd}_pu – Measured field current

scalar

Measured per-unit field current of the synchronous machine, specified as a scalar.

Data Types: single | double

Output**E_{fd}_pu – Field voltage**

scalar

Per-unit field voltage to apply to the field circuit of the synchronous machine, returned as a scalar.

Data Types: single | double

Parameters**General****Initial field voltage, E_{fd0} (pu) – Initial output voltage**

1 (default) | real number

Initial per-unit voltage to apply to the field circuit of the synchronous machine.

Sample time (-1 for inherited) – Block sample time

-1 (default) | 0 | positive scalar

Time between consecutive block executions. During execution, the block produces outputs and, if appropriate, updates its internal state. For more information, see “What Is Sample Time?” and “Specify Sample Time”.

For inherited discrete-time operation, specify -1. For discrete-time operation, specify a positive integer. For continuous-time operation, specify 0.

If this block is in a masked subsystem, or other variant subsystem that allows you to switch between continuous operation and discrete operation, promote the sample time parameter. Promoting the sample time parameter ensures correct switching between the continuous and discrete implementations of the block. For more information, see “Promote Parameter to Mask”.

Pre-Control**Resistive component of load compensation, R_C (pu) – Compensation resistance**

0 (default) | positive number

Resistance used in the current compensation system. Set this parameter and **Reactance component of load compensation, X_C (pu)** to 0 to disable current compensation.

Reactance component of load compensation, X_C (pu) – Compensation reactance

0 (default) | positive number

Reactance used in the current compensation system. Set this parameter and **Resistive component of load compensation, R_C (pu)** to 0 to disable current compensation.

Regulator input filter time constant, T_R (s) – Regulator time constant

0 (default) | positive number

Equivalent time constant for the voltage transducer filtering.

Control**Voltage regulator proportional gain, K_PR (pu) – Proportional gain of the voltage regulator**

1 (default)

Per-unit proportional gain of the voltage regulator.

Voltage regulator integral gain, K_IR (pu/s) – Integral gain of voltage regulator

0 (default)

Per-unit over second integral gain of the voltage regulator.

Voltage regulator derivative gain, K_DR (pu.s) – Derivative gain of voltage regulator

0 (default)

Derivative gain of the voltage regulator.

Lag time constant for derivative channel of PID controller, T_DR (s) – Lag time constant for PID derivative channel

1 (default) | positive number

Equivalent lag time constant for the derivative channel of the PID controller.

Maximum PID regulator output, V_PIDmax (pu) – Maximum output of the PID regulator

3.2 (default) | positive number

Maximum admissible per-unit output of the PID regulator.

Minimum PID regulator output, V_PIDmin (pu) – Minimum output of the PID regulator

-3.2 (default) | positive number

Minimum admissible per-unit output of the PID regulator.

Regulator denominator (lag) time constant, T_B (s) – Regulator lag time constant

0 (default) | positive number

Equivalent lag time constant in the voltage regulator. Set this parameter to 0 when the additional lag dynamics are negligible.

Regulator numerator (lead) time constant, T_C (s) – Regulator lead time constant

0 (default) | positive number

Equivalent lead time constant in the voltage regulator. Set this parameter to 0 when the additional lead dynamics are negligible.

Regulator output gain, K_A (pu) — Regulator gain

45.62 (default) | positive number

Gain associated with the voltage regulator.

Regulator output time constant, T_A (s) — Regulator time constant

0.013 (default) | positive number

Major time constant of the voltage regulator.

Maximum regulator output, V_{Amax} (pu) — Upper limit of the regulator output

1 (default) | real number

Maximum per-unit output voltage of the regulator.

Minimum regulator output, V_{Amin} (pu) — Lower limit of the regulator output

-0.95 (default) | real number

Minimum per-unit output voltage of the regulator.

Rate feedback time constant, T_F (s) — Rate feedback time constant

1 (default) | positive number

Rate feedback block time constant for the stabilization of the excitation system.

Value of EFD at which feedback gain changes, E_{FDN} (pu) — Value of EFD at which feedback gain changes

2.36 (default) | positive number

Per-unit value of EFD at which the feedback gain changes.

Rate feedback excitation system stabilizer gain, K_F (pu) — Rate feedback gain

0.143 (default) | positive number

Rate feedback block gain for stabilization of excitation system.

Rate feedback excitation system stabilizer gain, K_N (pu) — Rate feedback gain

0.05 (default) | positive number

Rate feedback block gain for stabilization of excitation system.

Alternate OEL input locations (V_{OEL}) — OEL input location

Unused (default) | Summation point | Take-over

Location of the overexcitation limiter input.

Alternate UEL input locations (V_{UEL}) — UEL input location

Unused (default) | Summation point | Take-over

Location of the underexcitation limiter input.

Alternate SCL input locations (V_{SCL}) — SCL input location

Unused (default) | Summation point | Take-over

Location of the stator current limiter input :

- If you select **Summation point**, use the **V_SCLsum** input port.
- If you select **Take-over**, use the **V_SCLoel** and **V_SCLuel** input ports.

Exciter

Exciter field proportional constant, K_E (pu) – Exciter field gain

1 (default) | positive number

Proportional constant for the exciter field.

Exciter field time constant, T_E (s) – Exciter field time constant

0.17 (default) | positive number

Time constant for the exciter field.

Rectifier loading factor proportional to commutating reactance, K_C (pu) – Rectifier loading factor

0.104 (default) | positive number

Rectifier loading factor proportional to the commutating reactance.

Demagnetizing factor, function of exciter alternator reactances, K_D (pu) – Demagnetization factor

0.499 (default) | positive number

Demagnetization factor related to the exciter alternator reactances.

Exciter output voltage for saturation factor S_E(E_1), E_1 (pu) – First saturation output voltage

6.24 (default) | positive number

Exciter output voltage for the first saturation factor.

Exciter saturation factor at exciter output voltage E_1, S_E(E_1) (1) – First saturation lookup voltage

1.143 (default) | positive number

Saturation factor for the first exciter.

Exciter output voltage for saturation factor S_E(E_2), E_2 (pu) – Second saturation output voltage

4.68 (default) | positive number

Exciter output voltage for the second saturation factor.

Exciter saturation factor at exciter output voltage E_2, S_E(E_2) (1) – Second saturation lookup voltage

0.1 (default) | positive number

Saturation factor for the second exciter.

Gain associated with regulator and alternator field power supply, K_R (pu) – Regulator and alternator field power supply gain

3.77 (default) | real number

Per-unit regulator and alternator field power supply gain.

Minimum exciter voltage output, V_Emin (pu) – Exciter lower limit

0.1 (default) | real number

Minimum per-unit exciter voltage output.

Exciter field current limit, V_FEmax (pu) – Exciter upper limit

16 (default) | real number

Per-unit exciter field current upper limit.

References

- [1] *IEEE Recommended Practice for Excitation System Models for Power System Stability Studies*.
IEEE Std 421.5-2016. Piscataway, NJ: IEEE-SA, 2016.

Extended Capabilities

C/C++ Code Generation

Generate C and C++ code using Simulink® Coder™.

See Also

Blocks

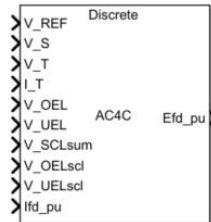
SM AC1C | SM AC2C | SM AC4C | SM AC5C | SM AC6C | SM AC7C | SM AC8C

Introduced in R2020a

SM AC4C

Discrete-time or continuous-time synchronous machine AC4C excitation system including an automatic voltage regulator and an exciter

Library: Simscape / Electrical / Control / SM Control



Description

The SM AC4C block implements a synchronous machine type AC4C excitation system model in conformance with IEEE 421.5-2016^[1].

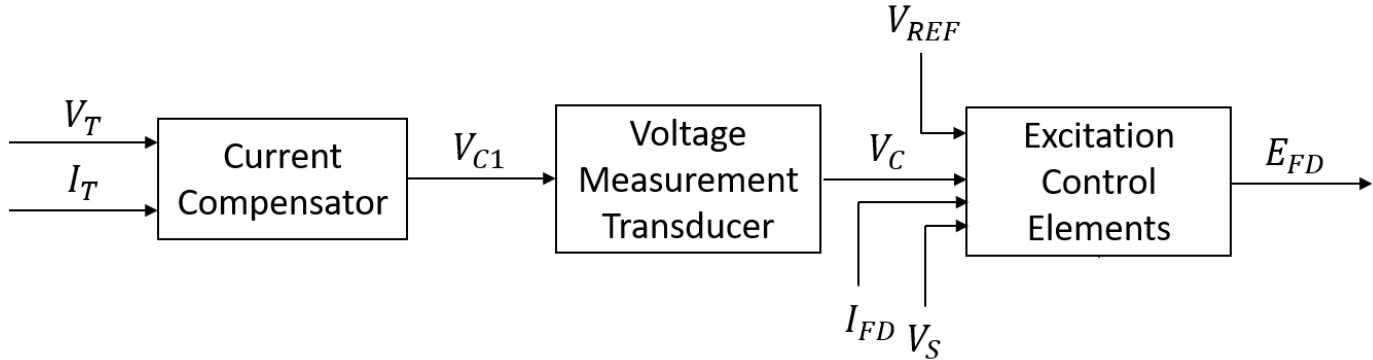
Use this block to model the control and regulation of the field voltage of a synchronous machine that operates as a generator using an AC rotating exciter.

You can switch between continuous and discrete implementations of the block by using the **Sample time (-1 for inherited)** parameter. To configure the integrator for continuous time, set the **Sample time (-1 for inherited)** property to 0. To configure the integrator for discrete time, set the **Sample time (-1 for inherited)** property to a positive, nonzero value, or to -1 to inherit the sample time from an upstream block.

The SM AC4C block is made up of four major components:

- The Current Compensator modifies the measured terminal voltage as a function of terminal current.
- The Voltage Measurement Transducer simulates the dynamics of a terminal voltage transducer using a low-pass filter.
- The Excitation Control Elements component compares the voltage transducer output with a terminal voltage reference to produce a voltage error. This voltage error is then passed through a voltage regulator to produce the exciter field voltage.
- The AC Rotating Exciter models the AC rotating exciter, which produces a field voltage that is applied to the controlled synchronous machine. The block also feeds the exciter field current (which is given the standard symbol V_{FE}) back to the excitation system.

This diagram shows the overall structure of the AC4C excitation system model:



In the diagram:

- V_T and I_T are the measured terminal voltage and current of the synchronous machine.
- V_{C1} is the current-compensated terminal voltage.
- V_C is the filtered, current-compensated terminal voltage.
- V_{REF} is the reference terminal voltage.
- V_S is the power system stabilizer voltage.
- E_{FE} and V_{FE} are the exciter field voltage and current, respectively.
- E_{FD} and I_{FD} are the field voltage and current, respectively.

The following sections describe each of the major parts of the block in detail.

Current Compensator and Voltage Measurement Transducer

The current compensator is modeled as:

$$V_{C1} = V_T + I_T \sqrt{R_C^2 + X_C^2},$$

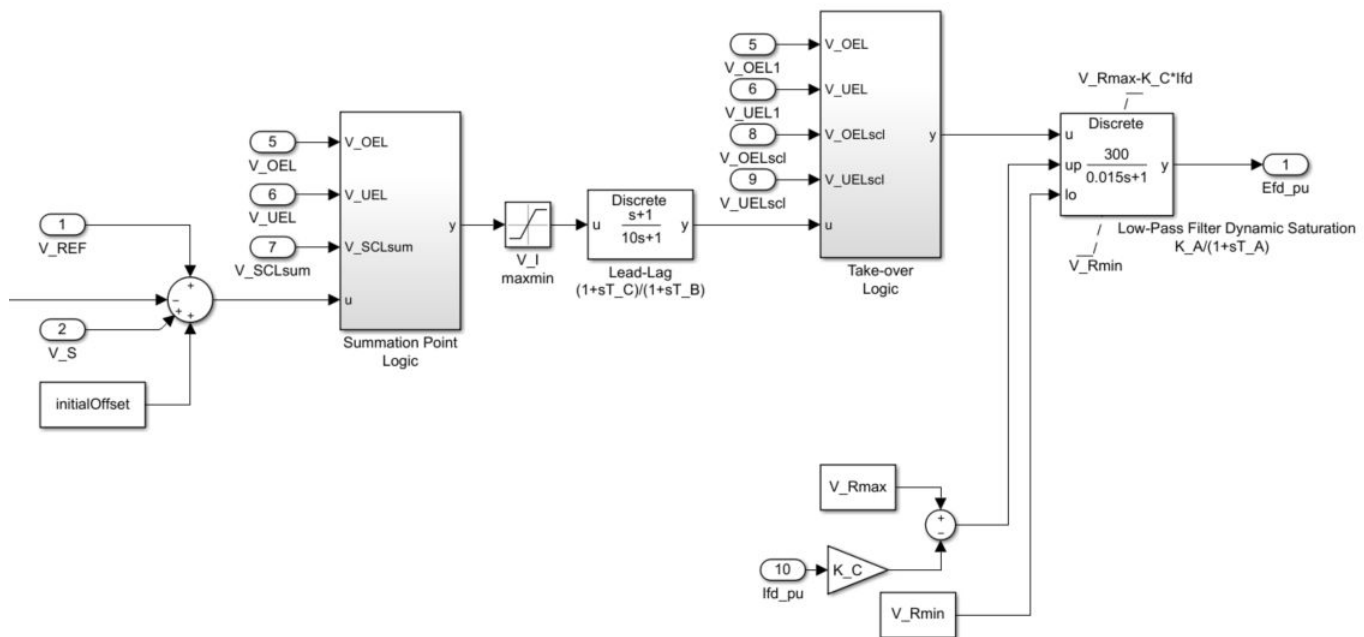
where:

- R_C is the load compensation resistance.
- X_C is the load compensation reactance.

The voltage measurement transducer is implemented as a Low-Pass Filter block with time constant T_R . Refer to the documentation for this block for the discrete and continuous implementations.

Excitation Control Elements

This diagram illustrates the overall structure of the excitation control elements:



Contrary to the other AC excitation models, the SM AC4C block includes a full thyristor bridge that models the exciter output circuit and a voltage regulator that controls the firing of the thyristor bridges. Rather than having a rate feedback, the excitation system stabilization is implemented through a lead-lag network and low-pass filter.

In the diagram:

- The Summation Point Logic subsystem models the summation point input location for the overexcitation limiter (OEL), underexcitation limiter (UEL), and stator current limiter (SCL) voltages. For more information about using limiters with this block, see “Field Current Limiters” on page 1-1500.
- The Lead-Lag block models additional dynamics associated with the voltage regulator. Here, T_C is the lead time constant and T_B is the lag time constant. Refer to the documentation for the Lead-Lag block for the discrete and continuous implementations.
- The Take-over Logic subsystem models the take-over point input location for the OEL, UEL, and SCL voltages. For more information about using limiters with this block, see “Field Current Limiters” on page 1-1500.
- The Low-Pass Filter block models the major dynamics of the voltage regulator. Here, K_A is the regulator gain and T_A is the major time constant of the regulator. The minimum and maximum anti-windup saturation limits for the block are V_{Rmin} and V_{Rmax} , respectively.
- The bottom part of the diagram models the I_{fd} -based limitations.

Field Current Limiters

You can use various field current limiters to modify the output of the voltage regulator under unsafe operating conditions:

- Use an overexcitation limiter to prevent overheating of the field winding due to excessive field current demand.

- Use an underexcitation limiter to boost field excitation when it is too low, which risks desynchronization.
- Use a stator current limiter to prevent overheating of the stator windings due to excessive current.

Attach the output of any of these limiters at one of these points:

- The summation point as part of the automatic voltage regulator (AVR) feedback loop
- The take-over point to override the usual behavior of the AVR

If you are using the stator current limiter at the summation point, use the single input V_{SCLsum} . If you are using the stator current limiter at the take-over point, use both the overexcitation input, V_{OELscl} , and the underexcitation input, V_{UELscl} .

Ports

Input

V_REF — Voltage reference

scalar

Voltage regulator reference set point, in per-unit representation, specified as a scalar.

Data Types: single | double

V_S — Input from stabilizer

scalar

Input from the power system stabilizer, in per-unit representation, specified as a scalar.

Data Types: single | double

V_T — Terminal voltage

scalar

Terminal voltage magnitude in per-unit representation, specified as a scalar.

Data Types: single | double

I_T — Terminal current

scalar

Terminal current magnitude in per-unit representation, specified as a scalar.

Data Types: single | double

V_OEL — Overexcitation limit signal

scalar

Input from the overexcitation limiter, in per-unit representation, specified as a scalar.

Dependencies

- To ignore the input from the overexcitation limiter, set **Alternate OEL input locations (V_OEL)** to Unused.

- To use the input from the overexcitation limiter at the summation point, set **Alternate OEL input locations (V_OEL)** to Summation point.
- To use the input from the overexcitation limiter at the take-over point, set **Alternate OEL input locations (V_OEL)** to Take-over.

Data Types: single | double

V_UEL — Underexcitation limit signal

scalar

Input from the underexcitation limiter, in per-unit representation, specified as a scalar.

Dependencies

- To ignore the input from the underexcitation limiter, set **Alternate UEL input locations (V_UEL)** to Unused.
- To use the input from the underexcitation limiter at the summation point, set **Alternate UEL input locations (V_UEL)** to Summation point.
- To use the input from the underexcitation limiter at the take-over point, set **Alternate UEL input locations (V_UEL)** to Take-over.

Data Types: single | double

V_SCLsum — Summation point stator current limit signal

scalar

Input from the stator current limiter when using the summation point, in per-unit representation, specified as a scalar.

Dependencies

- To ignore the input from the stator current limiter, set **Alternate SCL input locations (V_SCL)** to Unused.
- To use the input from the stator current limiter at the summation point, set **Alternate SCL input locations (V_SCL)** to Summation point.

Data Types: single | double

V_OELscl — Take-over stator current limit for overexcitation limiter

scalar

Input from the stator current limiter to prevent field overexcitation when using the take-over point, in per-unit representation, specified as a scalar.

Dependencies

- To ignore the input from the stator current limiter, set **Alternate SCL input locations (V_SCL)** to Unused.
- To use the input from the stator current limiter at the take-over point, set **Alternate SCL input locations (V_SCL)** to Take-over.

Data Types: single | double

V_UELscl — Take-over stator current limit for underexcitation limiter

scalar

Input from the stator current limiter to prevent field underexcitation when using the take-over point, in per-unit representation, specified as a scalar.

Dependencies

- To ignore the input from the stator current limiter, set **Alternate SCL input locations (V_SCL)** to Unused.
- To use the input from the stator current limiter at the take-over point, set **Alternate SCL input locations (V_SCL)** to Take-over.

Data Types: single | double

I_{fd_pu} — Measured field current

scalar

Measured per-unit field current of the synchronous machine, specified as a scalar.

Data Types: single | double

Output

E_{fd_pu} — Field voltage

scalar

Per-unit field voltage to apply to the field circuit of the synchronous machine, returned as a scalar.

Data Types: single | double

Parameters

General

Initial field voltage, E_{fd0} (pu) — Initial output voltage

1 (default) | real number

Initial per-unit voltage to apply to the field circuit of the synchronous machine.

Sample time (-1 for inherited) — Block sample time

-1 (default) | 0 | positive scalar

Time between consecutive block executions. During execution, the block produces outputs and, if appropriate, updates its internal state. For more information, see “What Is Sample Time?” and “Specify Sample Time”.

For inherited discrete-time operation, specify -1. For discrete-time operation, specify a positive integer. For continuous-time operation, specify 0.

If this block is in a masked subsystem, or other variant subsystem that allows you to switch between continuous operation and discrete operation, promote the sample time parameter. Promoting the sample time parameter ensures correct switching between the continuous and discrete implementations of the block. For more information, see “Promote Parameter to Mask”.

Pre-Control

Resistive component of load compensation, R_C (pu) — Compensation resistance

0 (default) | positive number

Resistance used in the current compensation system. Set this parameter and **Reactance component of load compensation, X_C (pu)** to 0 to disable current compensation.

Reactance component of load compensation, X_C (pu) – Compensation reactance
0 (default) | positive number

Reactance used in the current compensation system. Set this parameter and **Resistive component of load compensation, R_C (pu)** to 0 to disable current compensation.

Regulator input filter time constant, T_R (s) – Regulator time constant
0 (default) | positive number

Equivalent time constant for the voltage transducer filtering.

Control

Regulator output gain, K_A (pu) – Regulator gain
300 (default) | positive number

Gain associated with the voltage regulator.

Regulator output time constant, T_A (s) – Regulator time constant
0.015 (default) | positive number

Major time constant of the voltage regulator.

Regulator denominator (lag) time constant, T_B (s) – Regulator lag time constant
10 (default) | positive number

Equivalent lag time constant in the voltage regulator. Set this parameter to 0 when the additional lag dynamics are negligible.

Regulator numerator (lead) time constant, T_C (s) – Regulator lead time constant
1 (default) | positive number

Equivalent lead time constant in the voltage regulator. Set this parameter to 0 when the additional lead dynamics are negligible.

Maximum regulator output, V_Rmax (pu) – Upper limit of the regulator output
5.64 (default) | real number

Maximum per-unit output voltage of the regulator.

Minimum regulator output, V_Rmin (pu) – Lower limit of the regulator output
-4.53 (default) | real number

Minimum per-unit output voltage of the regulator.

Voltage regulator input (voltage error) maximum limit, V_Imax (pu) – Maximum limit of the voltage error
10 (default) | real number

Maximum per-unit limit of the voltage regulator input.

Voltage regulator input (voltage error) minimum limit, V_Imin (pu) – Minimum limit of the voltage error

-10 (default) | real number

Minimum per-unit limit of the voltage regulator input.

Alternate OEL input locations (V_OEL) – OEL input location

Unused (default) | Summation point | Take-over

Location of the overexcitation limiter input.

Alternate UEL input locations (V_UEL) – UEL input location

Unused (default) | Summation point | Take-over

Location of the underexcitation limiter input.

Alternate SCL input locations (V_SCL) – SCL input location

Unused (default) | Summation point | Take-over

Location of the stator current limiter input:

- If you select *Summation point*, use the **V_SCLsum** input port.
- If you select *Take-over*, use the **V_OELscl** and **V_UELscl** input ports.

Exciter**Rectifier loading factor proportional to commutating reactance, K_C (pu) – Rectifier loading factor**

0 (default) | positive number

Rectifier loading factor proportional to the commutating reactance.

References

- [1] *IEEE Recommended Practice for Excitation System Models for Power System Stability Studies*. IEEE Std 421.5-2016. Piscataway, NJ: IEEE-SA, 2016.

Extended Capabilities**C/C++ Code Generation**

Generate C and C++ code using Simulink® Coder™.

See Also**Blocks**

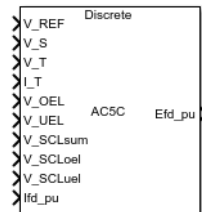
SM AC1C | SM AC2C | SM AC3C | SM AC5C | SM AC6C | SM AC7C | SM AC8C

Introduced in R2020a

SM AC5C

Discrete-time or continuous-time synchronous machine AC5C excitation system including an automatic voltage regulator and an exciter

Library: Simscape / Electrical / Control / SM Control



Description

The SM AC5C block implements a synchronous machine type AC5C excitation system model in conformance with IEEE 421.5-2016^[1].

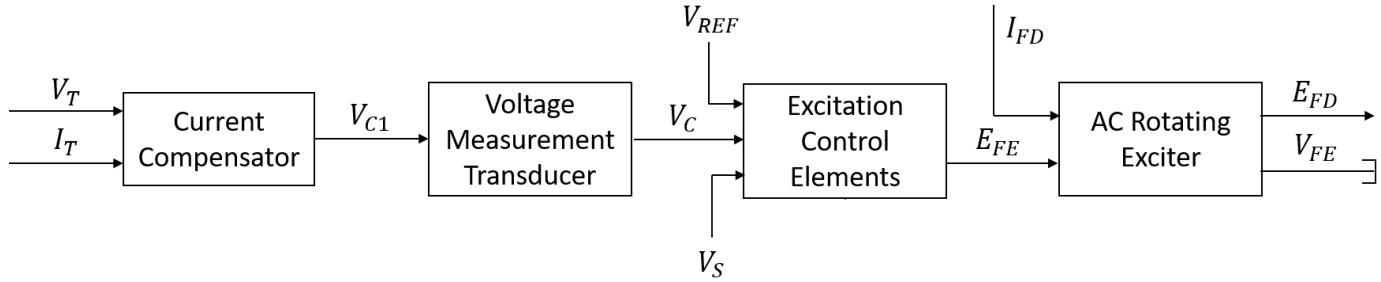
Use this block to model the control and regulation of the field voltage of a synchronous machine that operates as a generator using an AC rotating exciter.

You can switch between continuous and discrete implementations of the block by using the **Sample time (-1 for inherited)** parameter. To configure the integrator for continuous time, set the **Sample time (-1 for inherited)** property to 0. To configure the integrator for discrete time, set the **Sample time (-1 for inherited)** property to a positive, nonzero value, or to -1 to inherit the sample time from an upstream block.

The SM AC5C block is made up of four major components:

- The Current Compensator modifies the measured terminal voltage as a function of terminal current.
- The Voltage Measurement Transducer simulates the dynamics of a terminal voltage transducer using a low-pass filter.
- The Excitation Control Elements component compares the voltage transducer output with a terminal voltage reference to produce a voltage error. This voltage error is then passed through a voltage regulator to produce the exciter field voltage.
- The AC Rotating Exciter models the AC rotating exciter, which produces a field voltage that is applied to the controlled synchronous machine. The block also feeds the exciter field current (which is given the standard symbol V_{FE}) back to the excitation system.

This diagram shows the overall structure of the AC5C excitation system model:



In the diagram:

- V_T and I_T are the measured terminal voltage and current of the synchronous machine.
- V_{C1} is the current-compensated terminal voltage.
- V_C is the filtered, current-compensated terminal voltage.
- V_{REF} is the reference terminal voltage.
- V_S is the power system stabilizer voltage.
- E_{FE} and V_{FE} are the exciter field voltage and current, respectively.
- E_{FD} and I_{FD} are the field voltage and current, respectively.

The following sections describe each of the major parts of the block in detail.

Current Compensator and Voltage Measurement Transducer

The current compensator is modeled as:

$$V_{C1} = V_T + I_T \sqrt{R_C^2 + X_C^2},$$

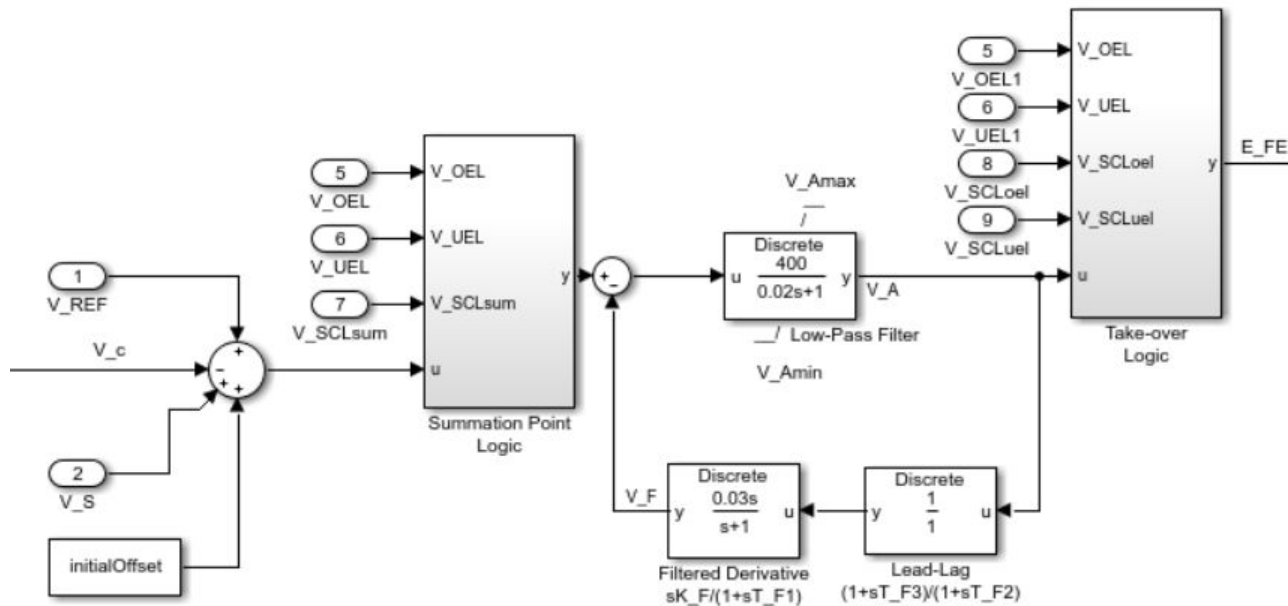
where:

- R_C is the load compensation resistance.
- X_C is the load compensation reactance.

The voltage measurement transducer is implemented as a Low-Pass Filter block with time constant T_R . Refer to the documentation for this block for the discrete and continuous implementations.

Excitation Control Elements

This diagram illustrates the overall structure of the excitation control elements:



In the diagram:

- The Summation Point Logic subsystem models the summation point input location for the overexcitation limiter (OEL), underexcitation limiter (UEL), and stator current limiter (SCL) voltages. For more information about using limiters with this block, see “Field Current Limiters” on page 1-1508.
- The Low-Pass Filter block models the major dynamics of the voltage regulator. Here, K_A is the regulator gain and T_A is the major time constant of the regulator. The minimum and maximum anti-windup saturation limits for the block are V_{Amin} and V_{Amax} , respectively.
- The Filtered Derivative and the Lead-Lag blocks model the rate feedback path for stabilization of the excitation system. Here, K_F is the gain of this system and T_{F1} , T_{F2} , and T_{F3} are its time constants. Refer to the documentation for the Filtered Derivative block for the discrete and continuous implementations.
- The Take-over Logic subsystem models the take-over point input location for the OEL, UEL, and SCL voltages. For more information about using limiters with this block, see “Field Current Limiters” on page 1-1508.

Field Current Limiters

You can use various field current limiters to modify the output of the voltage regulator under unsafe operating conditions:

- Use an overexcitation limiter to prevent overheating of the field winding due to excessive field current demand.
- Use an underexcitation limiter to boost field excitation when it is too low, which risks desynchronization.
- Use a stator current limiter to prevent overheating of the stator windings due to excessive current.

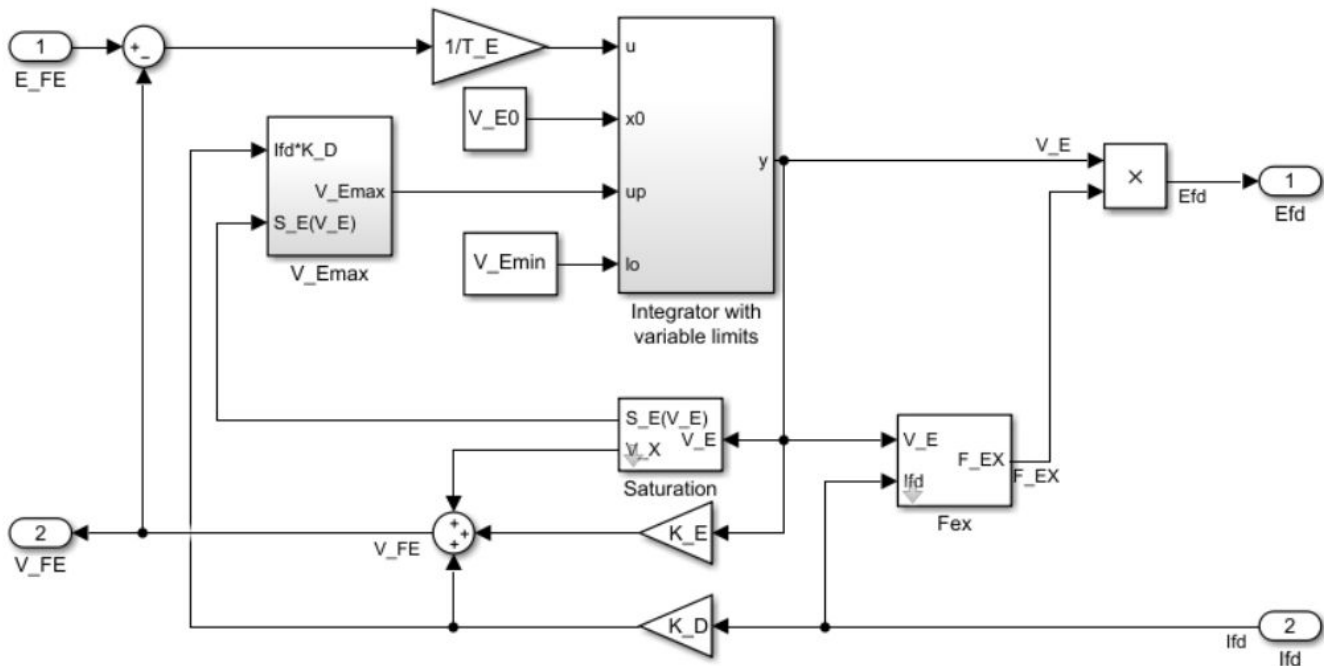
Attach the output of any of these limiters at one of these points:

- The summation point as part of the automatic voltage regulator (AVR) feedback loop
- The take-over point to override the usual behavior of the AVR

If you are using the stator current limiter at the summation point, use the single input V_{SCLsum} . If you are using the stator current limiter at the take-over point, use both the overexcitation input, V_{SCLoel} and the underexcitation input, V_{SCLuel} .

AC Rotating Exciter

This diagram illustrates the overall structure of the AC rotating exciter:



In the diagram:

- The exciter field current V_{FE} is modeled as the summation of three signals:
 - The nonlinear function V_x models the saturation of the exciter output voltage.
 - The proportional term K_E models the linear relationship between exciter output voltage and the exciter field current.
 - The demagnetizing effect of the load current on the exciter output voltage is modeled using the demagnetization constant K_D in the feedback loop.
- The Integrator with variable limits subsystem integrates the difference between E_{FE} and V_{FE} to generate the exciter alternator output voltage V_E . T_E is the time constant for this process.
- The nonlinear function F_{EX} models the exciter output voltage drop from the rectifier regulation. This function depends on the constant K_C , which itself is a function of commutating reactance.
- The parameters V_{Emin} and V_{FEmax} model the lower and upper limits of the rotating exciter.

Ports

Input

V_REF — Voltage reference

scalar

Voltage regulator reference set point, in per-unit representation, specified as a scalar.

Data Types: `single` | `double`

V_S — Input from stabilizer

scalar

Input from the power system stabilizer, in per-unit representation, specified as a scalar.

Data Types: `single` | `double`

V_T — Terminal voltage

scalar

Terminal voltage magnitude in per-unit representation, specified as a scalar.

Data Types: `single` | `double`

I_T — Terminal current

scalar

Terminal current magnitude in per-unit representation, specified as a scalar.

Data Types: `single` | `double`

V_OEL — Overexcitation limit signal

scalar

Input from the overexcitation limiter, in per-unit representation, specified as a scalar.

Dependencies

- To ignore the input from the overexcitation limiter, set **Alternate OEL input locations (V_OEL)** to `Unused`.
- To use the input from the overexcitation limiter at the summation point, set **Alternate OEL input locations (V_OEL)** to `Summation point`.
- To use the input from the overexcitation limiter at the take-over point, set **Alternate OEL input locations (V_OEL)** to `Take-over`.

Data Types: `single` | `double`

V_UEL — Underexcitation limit signal

scalar

Input from the underexcitation limiter, in per-unit representation, specified as a scalar.

Dependencies

- To ignore the input from the underexcitation limiter, set **Alternate UEL input locations (V_UEL)** to `Unused`.

- To use the input from the underexcitation limiter at the summation point, set **Alternate UEL input locations (V_UEL)** to Summation point.
- To use the input from the underexcitation limiter at the take-over point, set **Alternate UEL input locations (V_UEL)** to Take-over.

Data Types: single | double

V_SCLsum — Summation point stator current limit signal

scalar

Input from the stator current limiter when using the summation point, in per-unit representation, specified as a scalar.

Dependencies

- To ignore the input from the stator current limiter, set **Alternate SCL input locations (V_SCL)** to Unused.
- To use the input from the stator current limiter at the summation point, set **Alternate SCL input locations (V_SCL)** to Summation point.

Data Types: single | double

V_SCLoel — Take-over stator current limit for overexcitation limiter

scalar

Input from the stator current limiter to prevent field overexcitation when using the take-over point, in per-unit representation, specified as a scalar.

Dependencies

- To ignore the input from the stator current limiter, set **Alternate SCL input locations (V_SCL)** to Unused.
- To use the input from the stator current limiter at the take-over point, set **Alternate SCL input locations (V_SCL)** to Take-over.

Data Types: single | double

V_SCLuel — Take-over stator current limit for underexcitation limiter

scalar

Input from the stator current limiter to prevent field underexcitation when using the take-over point, in per-unit representation, specified as a scalar.

Dependencies

- To ignore the input from the stator current limiter, set **Alternate SCL input locations (V_SCL)** to Unused.
- To use the input from the stator current limiter at the take-over point, set **Alternate SCL input locations (V_SCL)** to Take-over.

Data Types: single | double

I_{fd_pu} — Measured field current

scalar

Measured per-unit field current of the synchronous machine, specified as a scalar.

Data Types: single | double

Output

Efd_pu – Field voltage

scalar

Per-unit field voltage to apply to the field circuit of the synchronous machine, returned as a scalar.

Data Types: single | double

Parameters

General

Initial field voltage, Efd0 (pu) – Initial output voltage

1 (default) | real number

Initial per-unit voltage to apply to the field circuit of the synchronous machine.

Sample time (-1 for inherited) – Block sample time

-1 (default) | 0 | positive scalar

Time between consecutive block executions. During execution, the block produces outputs and, if appropriate, updates its internal state. For more information, see “What Is Sample Time?” and “Specify Sample Time”.

For inherited discrete-time operation, specify -1. For discrete-time operation, specify a positive integer. For continuous-time operation, specify 0.

If this block is in a masked subsystem, or other variant subsystem that allows you to switch between continuous operation and discrete operation, promote the sample time parameter. Promoting the sample time parameter ensures correct switching between the continuous and discrete implementations of the block. For more information, see “Promote Parameter to Mask”.

Pre-Control

Resistive component of load compensation, R_C (pu) – Compensation resistance

0 (default) | positive number

Resistance used in the current compensation system. Set this parameter and **Reactance component of load compensation, X_C (pu)** to 0 to disable current compensation.

Reactance component of load compensation, X_C (pu) – Compensation reactance

0 (default) | positive number

Reactance used in the current compensation system. Set this parameter and **Resistive component of load compensation, R_C (pu)** to 0 to disable current compensation.

Regulator input filter time constant, T_R (s) – Regulator time constant

0 (default) | positive number

Equivalent time constant for the voltage transducer filtering.

Control

Regulator output gain, K_A (pu) – Regulator gain

400 (default) | positive number

Gain associated with the voltage regulator.

Regulator output time constant, T_A (s) – Regulator time constant

0.02 (default) | positive number

Major time constant of the voltage regulator.

Maximum regulator output, V_{Amax} (pu) – Upper limit of the regulator output

7.3 (default) | real number

Maximum per-unit output voltage of the regulator.

Minimum regulator output, V_{Amin} (pu) – Lower limit of the regulator output

-7.3 (default) | real number

Minimum per-unit output voltage of the regulator.

Rate feedback excitation system stabilizer gain, K_F (pu) – Rate feedback gain

0.03 (default) | positive number

Rate feedback block gain for the stabilization of the excitation system.

Rate feedback excitation system stabilizer time constant, T_{F1} (s) – Rate feedback time constant

1 (default) | positive number

Rate feedback block time constant for the stabilization of the excitation system.

Rate feedback excitation system stabilizer time constant, T_{F2} (s) – Rate feedback time constant

0 (default) | positive number

Rate feedback block time constant for the stabilization of the excitation system.

Rate feedback excitation system stabilizer time constant, T_{F3} (s) – Rate feedback time constant

0 (default) | positive number

Rate feedback block time constant for the stabilization of the excitation system.

Alternate OEL input locations (V_{OEL}) – OEL input location

Unused (default) | Summation point | Take-over

Location of the overexcitation limiter input.

Alternate UEL input locations (V_{UEL}) – UEL input location

Unused (default) | Summation point | Take-over

Location of the underexcitation limiter input.

Alternate SCL input locations (V_SCL) – SCL input location

Unused (default) | Summation point | Take-over

Location of the stator current limiter input:

- If you select Summation point, use the **V_SCLsum** input port.
- If you select Take-over, use the **V_SCLoel** and **V_SCLuel** input ports.

Exciter**Exciter field proportional constant, K_E (pu) – Exciter field gain**

1 (default) | positive number

Proportional constant for the exciter field.

Exciter field time constant, T_E (s) – Exciter field time constant

0.8 (default) | positive number

Time constant for the exciter field.

Rectifier loading factor proportional to commutating reactance, K_C (pu) – Rectifier loading factor

0 (default) | positive number

Rectifier loading factor proportional to the commutating reactance.

Demagnetizing factor, function of exciter alternator reactances, K_D (pu) – Demagnetization factor

0 (default) | positive number

Demagnetization factor related to the exciter alternator reactances.

Exciter output voltage for saturation factor S_E(E_1), E_1 (pu) – First saturation output voltage

5.6 (default) | positive number

Exciter output voltage for first saturation factor.

Exciter saturation factor at exciter output voltage E_1, S_E(E_1) (1) – First saturation lookup voltage

0.86 (default) | positive number

Saturation factor for the first exciter.

Exciter output voltage for saturation factor S_E(E_2), E_2 (pu) – Second saturation output voltage

4.2 (default) | positive number

Exciter output voltage for second saturation factor.

Exciter saturation factor at exciter output voltage E_2, S_E(E_2) (1) – Second saturation lookup voltage

0.5 (default) | positive number

Saturation factor for the second exciter.

Maximum exciter field current limit reference, V_FEmax (pu) — Exciter upper limit
99 (default) | real number

Maximum per-unit field current limit reference.

Minimum exciter voltage output, V_Emin (pu) — Exciter lower limit
0 (default) | real number

Minimum per-unit exciter voltage output.

References

- [1] *IEEE Recommended Practice for Excitation System Models for Power System Stability Studies*.
IEEE Std 421.5-2016. Piscataway, NJ: IEEE-SA, 2016.

Extended Capabilities

C/C++ Code Generation

Generate C and C++ code using Simulink® Coder™.

See Also

Blocks

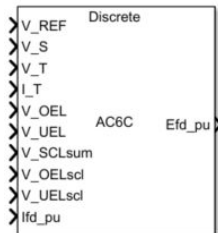
SM AC1C | SM AC2C | SM AC3C | SM AC4C | SM AC6C | SM AC7C | SM AC8C

Introduced in R2020a

SM AC6C

Discrete-time or continuous-time synchronous machine AC6C excitation system including an automatic voltage regulator and an exciter

Library: Simscape / Electrical / Control / SM Control



Description

The SM AC6C block implements a synchronous machine type AC6C excitation system model in conformance with IEEE 421.5-2016^[1].

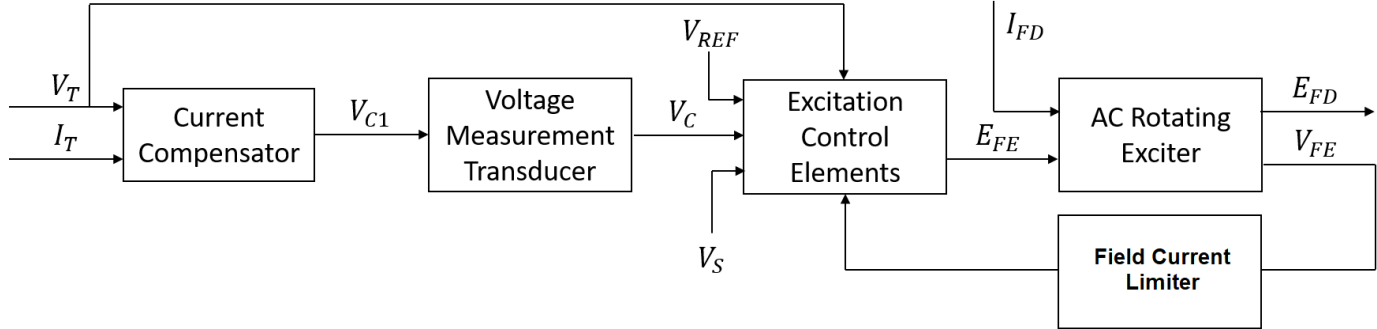
Use this block to model the control and regulation of the field voltage of a synchronous machine that operates as a generator using an AC rotating exciter.

You can switch between continuous and discrete implementations of the block by using the **Sample time (-1 for inherited)** parameter. To configure the integrator for continuous time, set the **Sample time (-1 for inherited)** property to 0. To configure the integrator for discrete time, set the **Sample time (-1 for inherited)** property to a positive, nonzero value, or to -1 to inherit the sample time from an upstream block.

The SM AC6C block is made up of four major components:

- The Current Compensator modifies the measured terminal voltage as a function of terminal current.
- The Voltage Measurement Transducer simulates the dynamics of a terminal voltage transducer using a low-pass filter.
- The Excitation Control Elements component compares the voltage transducer output with a terminal voltage reference to produce a voltage error. This voltage error is then passed through a voltage regulator to produce the exciter field voltage.
- The AC Rotating Exciter models the AC rotating exciter, which produces a field voltage that is applied to the controlled synchronous machine. The block also feeds the exciter field current (which is given the standard symbol V_{FE}) back to the excitation system.

This diagram shows the overall structure of the AC6C excitation system model:



In the diagram:

- V_T and I_T are the measured terminal voltage and current of the synchronous machine.
- V_{C1} is the current-compensated terminal voltage.
- V_C is the filtered, current-compensated terminal voltage.
- V_{REF} is the reference terminal voltage.
- V_S is the power system stabilizer voltage.
- E_{FE} and V_{FE} are the exciter field voltage and current, respectively.
- E_{FD} and I_{FD} are the field voltage and current, respectively.

The following sections describe each of the major parts of the block in detail.

Current Compensator and Voltage Measurement Transducer

The current compensator is modeled as:

$$V_{C1} = V_T + I_T \sqrt{R_C^2 + X_C^2},$$

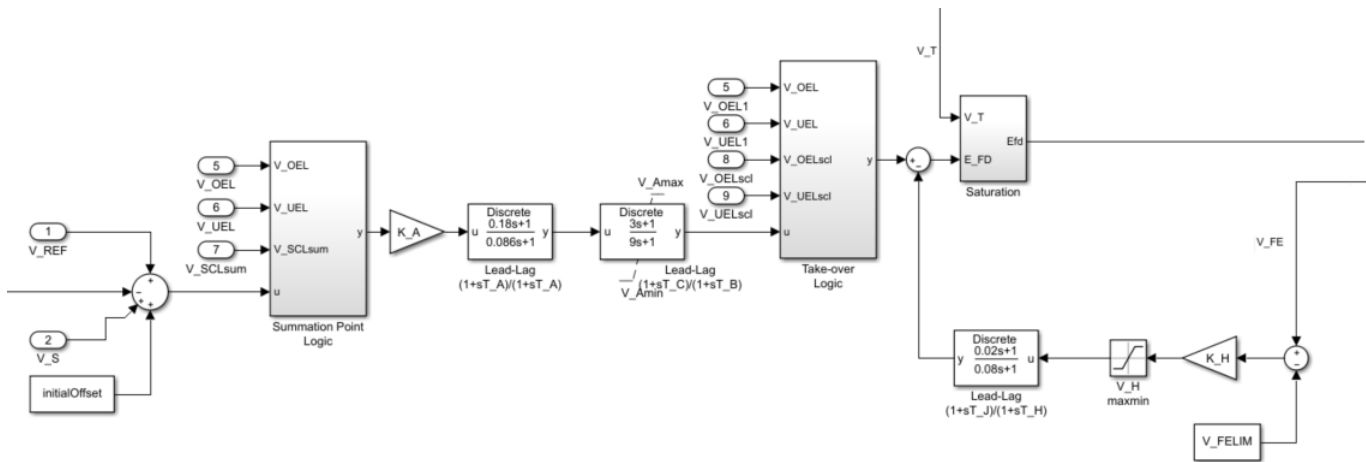
where:

- R_C is the load compensation resistance.
- X_C is the load compensation reactance.

The voltage measurement transducer is implemented as a Low-Pass Filter block with time constant T_R . Refer to the documentation for this block for the discrete and continuous implementations.

Excitation Control Elements

This diagram illustrates the overall structure of the excitation control elements:



In the diagram:

- The Summation Point Logic subsystem models the summation point input location for the overexcitation limiter (OEL), underexcitation limiter (UEL), and stator current limiter (SCL) voltages. For more information about using limiters with this block, see “Field Current Limiters” on page 1-1518.
- A network of two Lead-Lag blocks models the dynamics of the voltage regulator. K_A is the regulator gain and T_A is the major time constant of the regulator. The second block models additional dynamics associated with the voltage regulator. Here, T_C is the lead time constant and T_B is the lag time constant. Refer to the documentation for the Lead-Lag block for the discrete and continuous implementations.
- The Take-over Logic subsystem models the take-over point input location for the OEL, UEL, and SCL voltages. For more information about using limiters with this block, see “Field Current Limiters” on page 1-1518.
- Another Lead-Lag block models the rate feedback path for the stabilization of the excitation system. Here, K_H is the gain of this system and T_J and T_H are the lead and lag time constants, respectively.
- The Saturation subsystem models the minimum, $V_T * E_{FEmin}$, and the maximum, $V_T * E_{FEmax}$, saturation limits for the output exciter field voltage E_{FE} .

Field Current Limiters

You can use various field current limiters to modify the output of the voltage regulator under unsafe operating conditions:

- Use an overexcitation limiter to prevent overheating of the field winding due to excessive field current demand.
- Use an underexcitation limiter to boost field excitation when it is too low, which risks desynchronization.
- Use a stator current limiter to prevent overheating of the stator windings due to excessive current.

Attach the output of any of these limiters at one of these points:

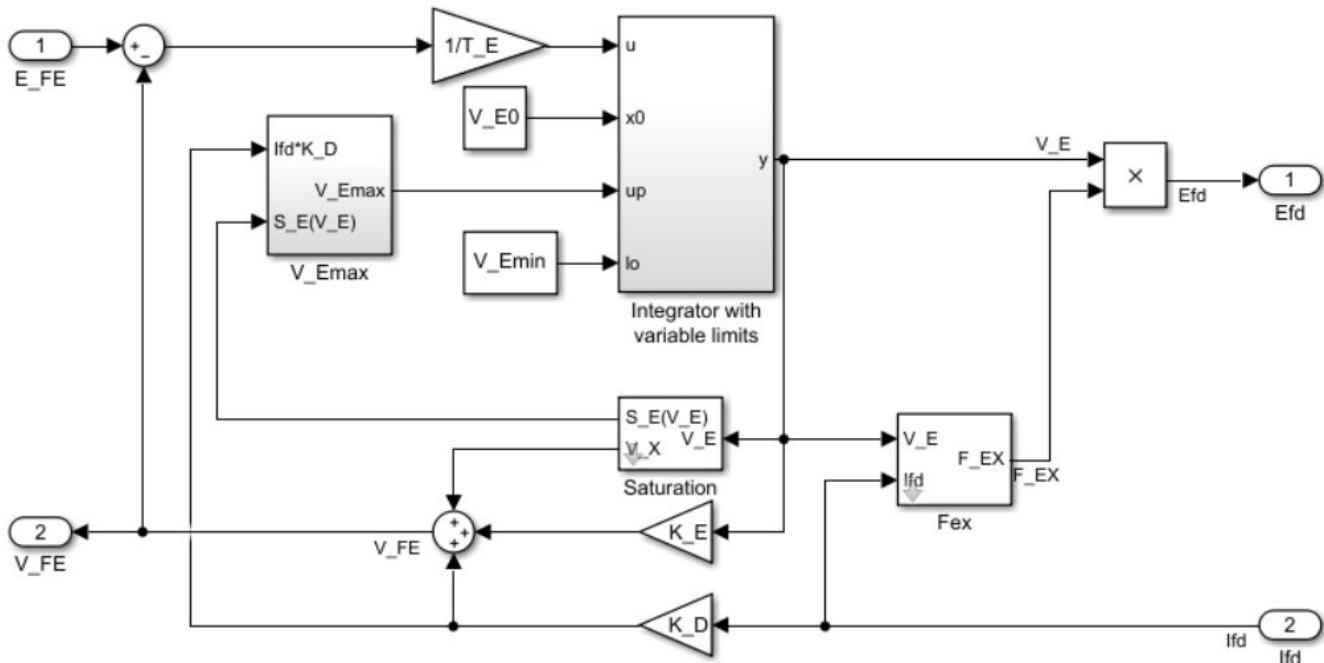
- The summation point as part of the automatic voltage regulator (AVR) feedback loop

- The take-over point to override the usual behavior of the AVR

If you are using the stator current limiter at the summation point, use the single input V_{SCLsum} . If you are using the stator current limiter at the take-over point, use both the overexcitation input, V_{OELscl} , and the underexcitation input, V_{UELscl} .

AC Rotating Exciter

This diagram illustrates the overall structure of the AC rotating exciter:



In the diagram:

- The exciter field current V_{FE} is modeled as the summation of three signals:
 - The nonlinear function V_x models the saturation of the exciter output voltage.
 - The proportional term K_E models the linear relationship between exciter output voltage and the exciter field current.
 - The demagnetizing effect of the load current on the exciter output voltage is modeled using the demagnetization constant K_D in the feedback loop.
- The Integrator with variable limits subsystem integrates the difference between E_{FE} and V_{FE} to generate the exciter alternator output voltage V_E . T_E is the time constant for this process.
- The nonlinear function F_{EX} models the exciter output voltage drop from the rectifier regulation. This function depends on the constant K_C , which itself is a function of commutating reactance.
- The parameters V_{Emin} and V_{FEmax} model the lower and upper limits of the rotating exciter.

Ports

Input

V_REF — Voltage reference

scalar

Voltage regulator reference set point, in per-unit representation, specified as a scalar.

Data Types: `single` | `double`

V_S — Input from stabilizer

scalar

Input from the power system stabilizer, in per-unit representation, specified as a scalar.

Data Types: `single` | `double`

V_T — Terminal voltage

scalar

Terminal voltage magnitude in per-unit representation, specified as a scalar.

Data Types: `single` | `double`

I_T — Terminal current

scalar

Terminal current magnitude in per-unit representation, specified as a scalar.

Data Types: `single` | `double`

V_OEL — Overexcitation limit signal

scalar

Input from the overexcitation limiter, in per-unit representation, specified as a scalar.

Dependencies

- To ignore the input from the overexcitation limiter, set **Alternate OEL input locations (V_OEL)** to `Unused`.
- To use the input from the overexcitation limiter at the summation point, set **Alternate OEL input locations (V_OEL)** to `Summation point`.
- To use the input from the overexcitation limiter at the take-over point, set **Alternate OEL input locations (V_OEL)** to `Take-over`.

Data Types: `single` | `double`

V_UEL — Underexcitation limit signal

scalar

Input from the underexcitation limiter, in per-unit representation, specified as a scalar.

Dependencies

- To ignore the input from the underexcitation limiter, set **Alternate UEL input locations (V_UEL)** to `Unused`.

- To use the input from the underexcitation limiter at the summation point, set **Alternate UEL input locations (V_UEL)** to Summation point.
- To use the input from the underexcitation limiter at the take-over point, set **Alternate UEL input locations (V_UEL)** to Take-over.

Data Types: single | double

V_SCLsum — Summation point stator current limit signal

scalar

Input from the stator current limiter when using the summation point, in per-unit representation, specified as a scalar.

Dependencies

- To ignore the input from the stator current limiter, set **Alternate SCL input locations (V_SCL)** to Unused.
- To use the input from the stator current limiter at the summation point, set **Alternate SCL input locations (V_SCL)** to Summation point.

Data Types: single | double

V_OELscl — Take-over stator current limit for overexcitation limiter

scalar

Input from the stator current limiter to prevent field overexcitation when using the take-over point, in per-unit representation, specified as a scalar.

Dependencies

- To ignore the input from the stator current limiter, set **Alternate SCL input locations (V_SCL)** to Unused.
- To use the input from the stator current limiter at the take-over point, set **Alternate SCL input locations (V_SCL)** to Take-over.

Data Types: single | double

V_UELscl — Take-over stator current limit for underexcitation limiter

scalar

Input from the stator current limiter to prevent field underexcitation when using the take-over point, in per-unit representation, specified as a scalar.

Dependencies

- To ignore the input from the stator current limiter, set **Alternate SCL input locations (V_SCL)** to Unused.
- To use the input from the stator current limiter at the take-over point, set **Alternate SCL input locations (V_SCL)** to Take-over.

Data Types: single | double

Ifd_pu — Measured field current

scalar

Measured per-unit field current of the synchronous machine, specified as a scalar.

Data Types: single | double

Output

Efd_pu — Field voltage

scalar

Per-unit field voltage to apply to the field circuit of the synchronous machine, returned as a scalar.

Data Types: single | double

Parameters

General

Initial field voltage, Efd0 (pu) — Initial output voltage

1 (default) | real number

Initial per-unit voltage to apply to the field circuit of the synchronous machine.

Sample time (-1 for inherited) — Block sample time

-1 (default) | 0 | positive scalar

Time between consecutive block executions. During execution, the block produces outputs and, if appropriate, updates its internal state. For more information, see “What Is Sample Time?” and “Specify Sample Time”.

For inherited discrete-time operation, specify -1. For discrete-time operation, specify a positive integer. For continuous-time operation, specify 0.

If this block is in a masked subsystem, or other variant subsystem that allows you to switch between continuous operation and discrete operation, promote the sample time parameter. Promoting the sample time parameter ensures correct switching between the continuous and discrete implementations of the block. For more information, see “Promote Parameter to Mask”.

Pre-Control

Resistive component of load compensation, R_C (pu) — Compensation resistance

0 (default) | positive number

Resistance used in the current compensation system. Set this parameter and **Reactance component of load compensation, X_C (pu)** to 0 to disable current compensation.

Reactance component of load compensation, X_C (pu) — Compensation reactance

0 (default) | positive number

Reactance used in the current compensation system. Set this parameter and **Resistive component of load compensation, R_C (pu)** to 0 to disable current compensation.

Regulator input filter time constant, T_R (s) — Regulator time constant

0.02 (default) | positive number

Equivalent time constant for the voltage transducer filtering.

Control

Regulator output gain, K_A (pu) – Regulator gain

536 (default) | positive number

Gain associated with the voltage regulator.

Regulator output time constant, T_A (s) – Regulator time constant

0.086 (default) | positive number

Major time constant of the voltage regulator.

Regulator denominator (lag) time constant, T_B (s) – Regulator lag time constant

9 (default) | positive number

Equivalent lag time constant in the voltage regulator. Set this parameter to 0 when the additional lag dynamics are negligible.

Regulator numerator (lead) time constant, T_C (s) – Regulator lead time constant

3 (default) | positive number

Equivalent lead time constant in the voltage regulator. Set this parameter to 0 when the additional lead dynamics are negligible.

Regulator numerator (lead) time constant, T_K (s) – Regulator lead time constant

0.18 (default) | positive number

Equivalent lead time constant in the voltage regulator. Set this parameter to 0 when the additional lead dynamics are negligible.

Exciter field current limiter gain, K_H (pu) – Exciter field current limiter gain

92 (default) | positive number

Per-unit gain of the field current limiter of the excitation system.

Exciter field current limiter maximum output, V_{Hmax} (pu) – Maximum output of the exciter field current limiter

75 (default) | positive number

Maximum per-unit output of the field current limiter of the excitation system.

Exciter field current limiter reference, V_{FELIM} (pu) – Exciter field current limiter reference

19 (default) | positive number

Per-unit reference of the field current limiter of the excitation system.

Exciter field current limiter denominator (lag) time constant, T_H (s) – Lag time constant for the exciter field current limiter

0.08 (default) | positive number

Equivalent lag time constant in the exciter field current limiter. Set this parameter to 0 when the additional lag dynamics are negligible.

Exciter field current limiter numerator (lead) time constant, T_J (s) – Lead time constant for the exciter field current limiter

0.02 (default) | positive number

Equivalent lead time constant in the exciter field current limiter. Set this parameter to 0 when the additional lag dynamics are negligible.

Maximum regulator output, V_{Amax} (pu) – Upper limit of the regulator output

75 (default) | real number

Maximum per-unit output voltage of the regulator.

Minimum regulator output, V_{Amin} (pu) – Lower limit of the regulator output

-75 (default) | real number

Minimum per-unit output voltage of the regulator.

Maximum exciter field voltage, E_{Fmax} (pu) – Upper limit of the exciter voltage

44 (default) | real number

Maximum per-unit field voltage to be applied to exciter.

Minimum exciter field voltage, E_{Fmin} (pu) – Lower limit of the exciter voltage

-36 (default) | real number

Minimum per-unit field voltage to be applied to exciter.

Alternate OEL input locations (V_{OEL}) – OEL input location

Unused (default) | Summation point | Take-over

Location of the overexcitation limiter.

Alternate UEL input locations (V_{UEL}) – UEL input location

Unused (default) | Summation point | Take-over

Location of the underexcitation limiter.

Alternate SCL input locations (V_{SCL}) – SCL input location

Unused (default) | Summation point | Take-over

Location of the stator current limiter input:

- If you select Summation point, use the **V_{SCLsum}** input port.
- If you select Take-over, use the **V_{OELscl}** and **V_{UELscl}** input ports.

Exciter**Exciter field proportional constant, K_E (pu) – Exciter field gain**

1.6 (default) | positive number

Proportional constant for the exciter field.

Exciter field time constant, T_E (s) – Exciter field time constant

1 (default) | positive number

Time constant for the exciter field.

Rectifier loading factor proportional to commutating reactance, K_C (pu) – Rectifier loading factor

0.173 (default) | positive number

Rectifier loading factor proportional to the commutating reactance.

Demagnetizing factor, function of exciter alternator reactances, K_D (pu) – Demagnetization factor

1.91 (default) | positive number

Demagnetization factor related to the exciter alternator reactances.

Exciter output voltage for saturation factor $S_E(E_1)$, E_1 (pu) – First saturation output voltage

7.4 (default) | positive number

Exciter output voltage for the first saturation factor.

Exciter saturation factor at exciter output voltage E_1 , $S_E(E_1)$ (1) – First saturation lookup voltage

0.214 (default) | positive number

Saturation factor for the first exciter.

Exciter output voltage for saturation factor $S_E(E_2)$, E_2 (pu) – Second saturation output voltage

5.55 (default) | positive number

Exciter output voltage for the second saturation factor.

Exciter saturation factor at exciter output voltage E_2 , $S_E(E_2)$ (1) – Second saturation lookup voltage

0.044 (default) | positive number

Saturation factor for the second exciter.

Maximum exciter field current limit reference, V_{Fmax} (pu) – Exciter upper limit

999 (default) | real number

Maximum per-unit field current limit reference.

Minimum exciter voltage output, V_{Emin} (pu) – Exciter lower limit

0 (default) | real number

Minimum per-unit exciter voltage output.

References

- [1] *IEEE Recommended Practice for Excitation System Models for Power System Stability Studies*. IEEE Std 421.5-2016. Piscataway, NJ: IEEE-SA, 2016.

Extended Capabilities

C/C++ Code Generation

Generate C and C++ code using Simulink® Coder™.

See Also

Blocks

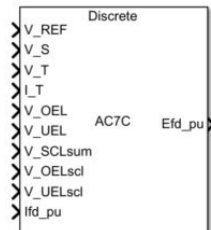
SM AC1C | SM AC2C | SM AC3C | SM AC4C | SM AC5C | SM AC7C | SM AC8C

Introduced in R2020a

SM AC7C

Discrete-time or continuous-time synchronous machine AC7C excitation system including an automatic voltage regulator and an exciter

Library: Simscape / Electrical / Control / SM Control



Description

The SM AC7C block implements a synchronous machine type AC7C excitation system model in conformance with IEEE 421.5-2016^[1].

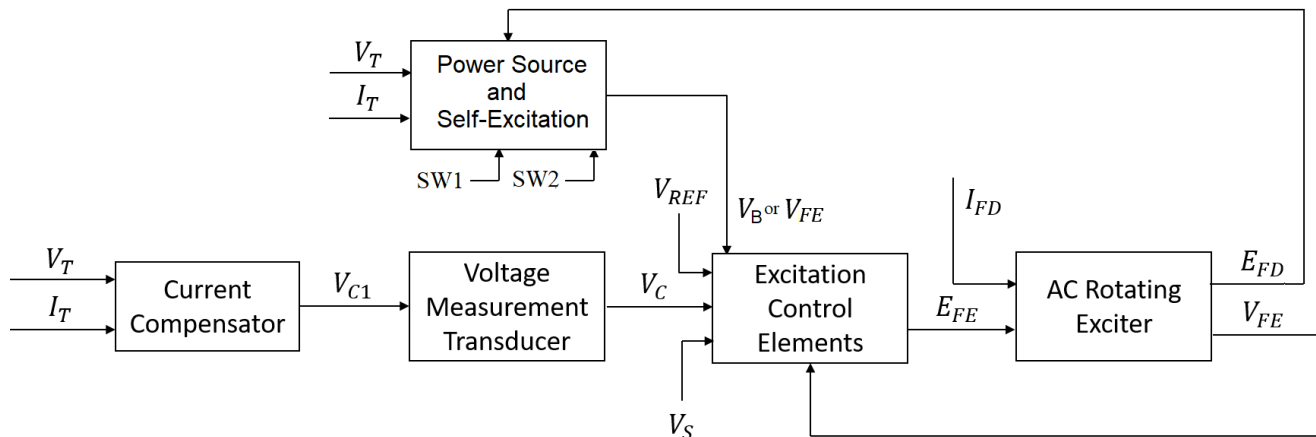
Use this block to model the control and regulation of the field voltage of a synchronous machine that operates as a generator using an AC rotating exciter.

You can switch between continuous and discrete implementations of the block by using the **Sample time (-1 for inherited)** parameter. To configure the integrator for continuous time, set the **Sample time (-1 for inherited)** property to 0. To configure the integrator for discrete time, set the **Sample time (-1 for inherited)** property to a positive, nonzero value, or to -1 to inherit the sample time from an upstream block.

The SM AC7C block is made up of five major components:

- The Current Compensator modifies the measured terminal voltage as a function of the terminal current.
- The Voltage Measurement Transducer simulates the dynamics of a terminal voltage transducer using a low-pass filter.
- The Excitation Control Elements component compares the voltage transducer output with a terminal voltage reference to produce a voltage error. This voltage error is then passed through a voltage regulator to produce the exciter field voltage.
- The AC Rotating Exciter models the AC rotating exciter, which produces a field voltage that is applied to the controlled synchronous machine. The block also feeds the exciter field current (which is given the standard symbol V_{FE}) back to the excitation system.
- The Power Source and Self-excitation models the power source for the controlled rectifier when it is independent from the terminal voltage. It also allows the representation of self-excitation for the exciter.

This diagram shows the overall structure of the AC7C excitation system model:



In the diagram:

- V_T and I_T are the measured terminal voltage and current of the synchronous machine.
- V_{C1} is the current-compensated terminal voltage.
- V_C is the filtered, current-compensated terminal voltage.
- V_{REF} is the reference terminal voltage.
- V_S is the power system stabilizer voltage.
- SW_1 and SW_2 are the user-selected power source switches for the controlled rectifier.
- V_B is the exciter field voltage.
- E_{FE} and V_{FE} are the exciter field voltage and current, respectively.
- E_{FD} and I_{FD} are the field voltage and current, respectively.

The following sections describe each of the major parts of the block in detail.

Current Compensator and Voltage Measurement Transducer

The current compensator is modeled as:

$$V_{C1} = V_T + I_T \sqrt{R_C^2 + X_C^2}$$

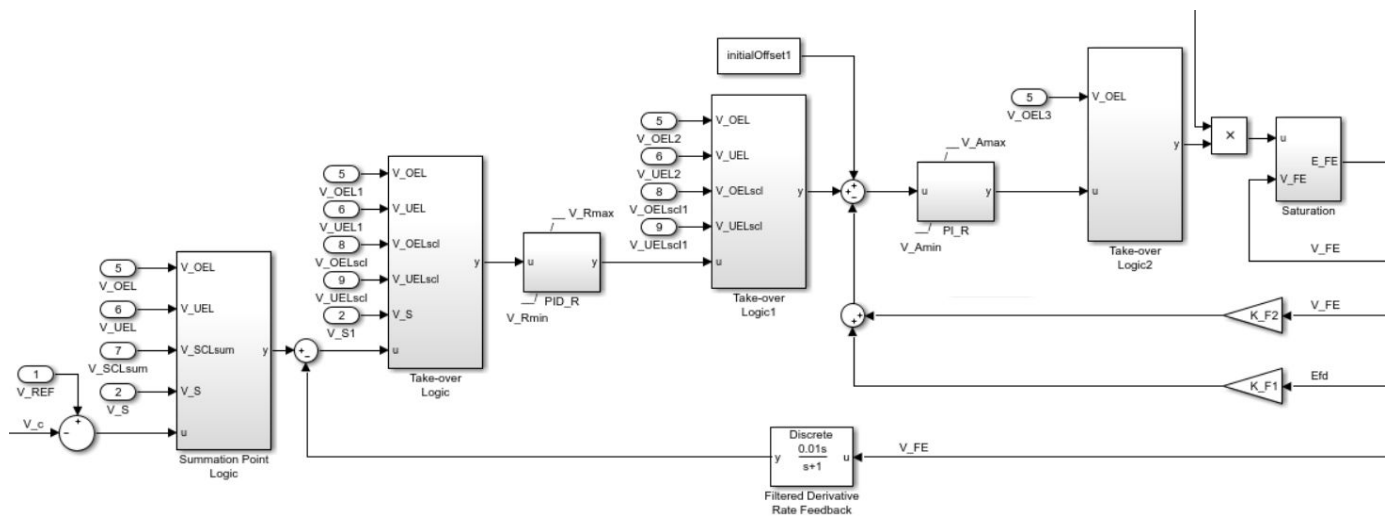
where:

- R_C is the load compensation resistance.
- X_C is the load compensation reactance.

The voltage measurement transducer is implemented as a Low-Pass Filter block with time constant T_R . Refer to the documentation for this block for the discrete and continuous implementations.

Excitation Control Elements

This diagram illustrates the overall structure of the excitation control elements:



In the diagram:

- The Summation Point Logic subsystem models the summation point input location for the overexcitation limiter (OEL), underexcitation limiter (UEL), stator current limiter (SCL), and the power switch selector (V_S) voltages. For more information about using limiters with this block, see “Field Current Limiters” on page 1-1529.
- There are three Take-over Logic subsystems. They model the take-over point input locations for the OEL, UEL, SCL and PSS voltages. For more information about using limiters with this block, see “Field Current Limiters” on page 1-1529.
- The PID_R subsystem models a PID controller that functions as a control structure for the automatic voltage regulator. The minimum and maximum anti-windup saturation limits for the block are V_{Rmin} and V_{Rmax} , respectively.
- The PI_R subsystem models a PI controller that functions as a control structure for the field current regulator. The minimum and maximum anti-windup saturation limits for the block are V_{Amin} and V_{Amax} , respectively.
- In case of self-excitation, with a nonzero K_R and the **Power source selector SW2** parameter set to **Position B**: do not use variable V_B , the voltage regulator power is derived from the exciter output voltage. The voltage regulator command signal is multiplied by the exciter output voltage, E_{FD} , times K_R . For more information about the user-selected logical switches for the power source of the controlled rectifier, see “Power Source and Self-Excitation” on page 1-1531.
- K_{F1} and K_{F2} model a high-bandwidth regulator inner loop that regulates the generator field or exciting current.
- The Filtered Derivative block models the rate feedback path for the stabilization of the excitation system if the automatic voltage regulator does not have a derivative term. Here, K_{F3} and T_F are the gain and time constants of this system, respectively. Refer to the documentation for the Filtered Derivative block for the discrete and continuous implementations.
- $-K_L V_{FE}$ and inf are the minimum and maximum saturation limits for the output exciter field voltage E_{FE} .

Field Current Limiters

You can use various field current limiters to modify the output of the voltage regulator under unsafe operating conditions:

- Use an overexcitation limiter to prevent overheating of the field winding due to excessive field current demand.
- Use an underexcitation limiter to boost field excitation when it is too low, which risks desynchronization.
- Use a stator current limiter to prevent overheating of the stator windings due to excessive current.

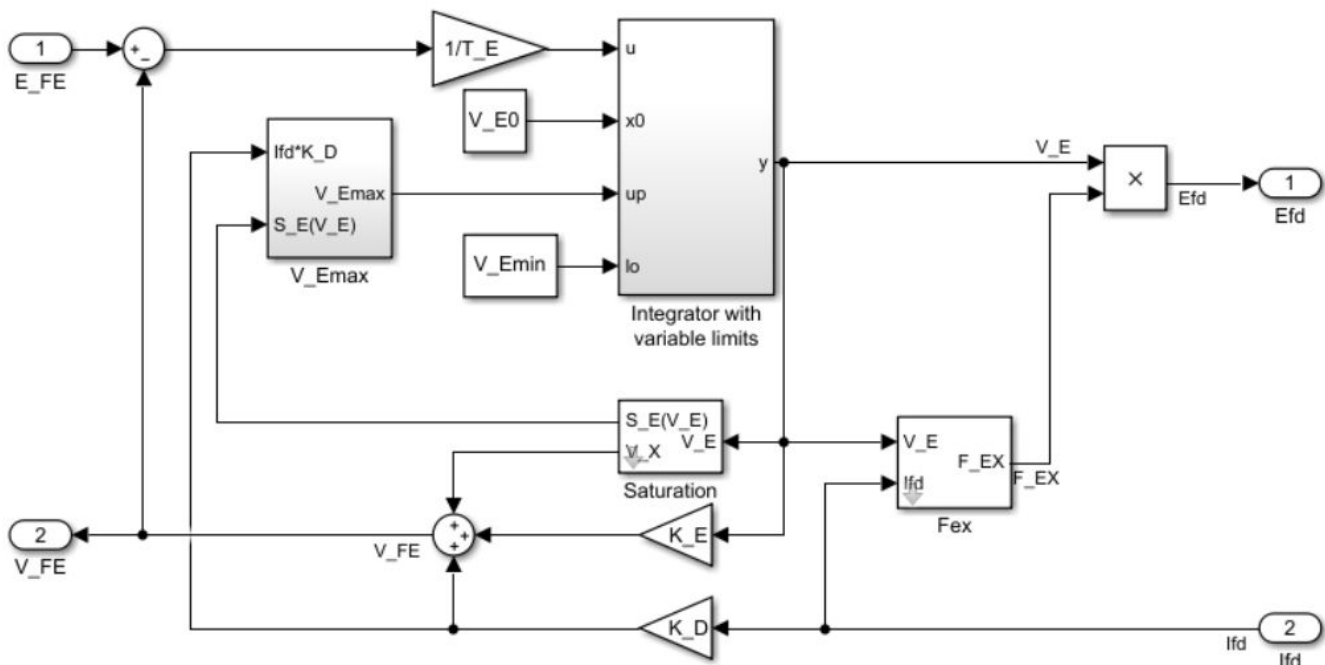
Attach the output of any of these limiters at one of these points:

- The summation point as part of the automatic voltage regulator (AVR) feedback loop
- The take-over point to override the usual behavior of the AVR

If you are using the stator current limiter at the summation point, use the single input V_{SCLsum} . If you are using the stator current limiter at the take-over point, use both the overexcitation input, V_{OELscl} , and the underexcitation input, V_{UELscl} .

AC Rotating Exciter

This diagram illustrates the overall structure of the AC rotating exciter:



In the diagram:

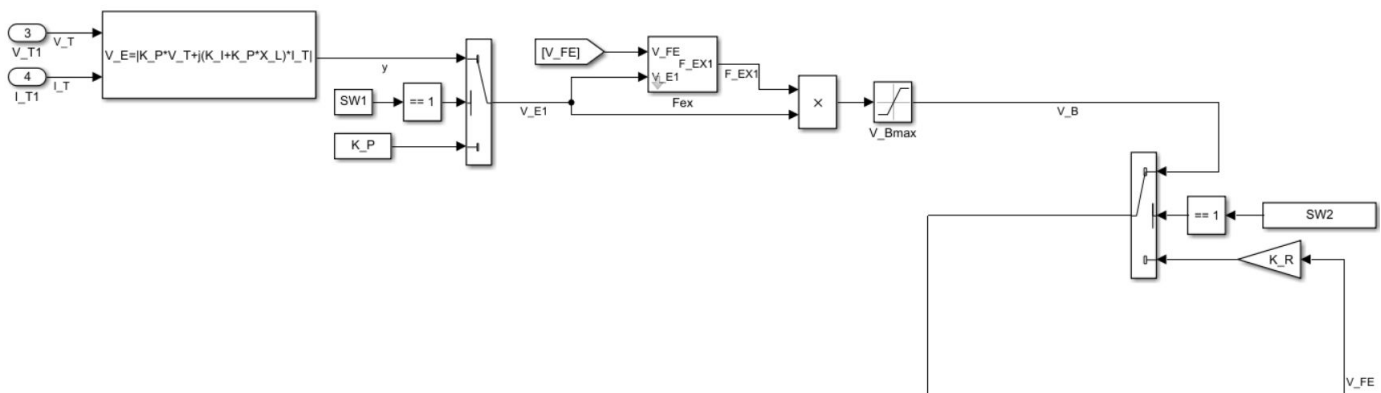
- The exciter field current V_{FE} is modeled as the summation of three signals:
 - The nonlinear function V_x models the saturation of the exciter output voltage.
 - The proportional term K_E models the linear relationship between exciter output voltage and the exciter field current.
 - The demagnetizing effect of the load current on the exciter output voltage is modeled using the demagnetization constant K_D in the feedback loop.

- The Integrator with variable limits subsystem integrates the difference between E_{FE} and V_{FE} to generate the exciter alternator output voltage V_E . T_E is the time constant for this process.
- The nonlinear function F_{EX} models the exciter output voltage drop from the rectifier regulation. This function depends on the constant K_C , which itself is a function of commutating reactance.
- The parameters V_{Emin} and V_{FEmax} model the lower and upper limits of the rotating exciter.

Power Source and Self-Excitation

It is possible to use different power source representations for the controlled rectifier by selecting the relevant option in the **Power source selector SW1** parameter. The power source for the controlled rectifier can be either derived from the terminal voltage (Position A: power source derived from terminal voltage) or it can be independent of the terminal voltage (Position B: power source independent from the terminal conditions). Note that this switch is dependent on the state of the second logical switch.

The second logical switch, **Power source selector SW2**, determines whether the exciter employs self-excitation or not. The exciter is self-excited if the **Power source selector SW2** parameter is set to Position B: do not use variable V_B , as the model parameters associated with the variable V_B do not impact the simulation.



Ports

Input

V_REF – Voltage reference

scalar

Voltage regulator reference set point, in per-unit representation, specified as a scalar.

Data Types: single | double

V_S – Input from stabilizer

scalar

Input from the power system stabilizer, in per-unit representation, specified as a scalar.

Data Types: single | double

V_T – Terminal voltage

scalar

Terminal voltage magnitude in per-unit representation, specified as a scalar.

Data Types: `single` | `double`

I_T — Terminal current

scalar

Terminal current magnitude in per-unit representation, specified as a scalar.

Data Types: `single` | `double`

V_OEL — Overexcitation limit signal

scalar

Input from the overexcitation limiter, in per-unit representation, specified as a scalar.

Dependencies

- To ignore the input from the overexcitation limiter, set **Alternate OEL input locations (V_OEL)** to `Unused`.
- To use the input from the overexcitation limiter at the summation point, set **Alternate OEL input locations (V_OEL)** to `Summation point`.
- To use the input from the overexcitation limiter at the take-over point, set **Alternate OEL input locations (V_OEL)** to `Take-over`.

Data Types: `single` | `double`

V_UEL — Underexcitation limit signal

scalar

Input from the underexcitation limiter, in per-unit representation, specified as a scalar.

Dependencies

- To ignore the input from the underexcitation limiter, set **Alternate UEL input locations (V_UEL)** to `Unused`.
- To use the input from the underexcitation limiter at the summation point, set **Alternate UEL input locations (V_UEL)** to `Summation point`.
- To use the input from the underexcitation limiter at the take-over point, set **Alternate UEL input locations (V_UEL)** to `Take-over`.

Data Types: `single` | `double`

V_SCLsum — Summation point stator current limit signal

scalar

Input from the stator current limiter when using the summation point, in per-unit representation, specified as a scalar.

Dependencies

- To ignore the input from the stator current limiter, set **Alternate SCL input locations (V_SCL)** to `Unused`.
- To use the input from the stator current limiter at the summation point, set **Alternate SCL input locations (V_SCL)** to `Summation point`.

Data Types: single | double

V_OELsc1 — Take-over stator current limit for overexcitation limiter

scalar

Input from the stator current limiter to prevent field overexcitation when using the take-over point, in per-unit representation, specified as a scalar.

Dependencies

- To ignore the input from the stator current limiter, set **Alternate SCL input locations (V_SCL)** to Unused.
- To use the input from the stator current limiter at the take-over point, set **Alternate SCL input locations (V_SCL)** to Take-over.

Data Types: single | double

V_UELsc1 — Take-over stator current limit for underexcitation limiter

scalar

Input from the stator current limiter to prevent field underexcitation when using the take-over point, in per-unit representation, specified as a scalar.

Dependencies

- To ignore the input from the stator current limiter, set **Alternate SCL input locations (V_SCL)** to Unused.
- To use the input from the stator current limiter at the take-over point, set **Alternate SCL input locations (V_SCL)** to Take-over.

Data Types: single | double

I_{fd}_pu — Measured field current

scalar

Measured per-unit field current of the synchronous machine, specified as a scalar.

Data Types: single | double

Output

E_{fd}_pu — Field voltage

scalar

Per-unit field voltage to apply to the field circuit of the synchronous machine, returned as a scalar.

Data Types: single | double

Parameters

General

Initial field voltage, E_{fd0} (pu) — Initial output voltage

1 (default) | real number

Initial per-unit voltage to apply to the field circuit of the synchronous machine.

Sample time (-1 for inherited) – Block sample time

-1 (default) | 0 | positive scalar

Time between consecutive block executions. During execution, the block produces outputs and, if appropriate, updates its internal state. For more information, see “What Is Sample Time?” and “Specify Sample Time”.

For inherited discrete-time operation, specify -1. For discrete-time operation, specify a positive integer. For continuous-time operation, specify 0.

If this block is in a masked subsystem, or other variant subsystem that allows you to switch between continuous operation and discrete operation, promote the sample time parameter. Promoting the sample time parameter ensures correct switching between the continuous and discrete implementations of the block. For more information, see “Promote Parameter to Mask”.

Pre-Control**Resistive component of load compensation, R_C (pu) – Compensation resistance**

0 (default) | positive number

Resistance used in the current compensation system. Set this parameter and **Reactance component of load compensation, X_C (pu)** to 0 to disable current compensation.

Reactance component of load compensation, X_C (pu) – Compensation reactance

0 (default) | positive number

Reactance used in the current compensation system. Set this parameter and **Resistive component of load compensation, R_C (pu)** to 0 to disable current compensation.

Regulator input filter time constant, T_R (s) – Regulator time constant

0 (default) | positive number

Equivalent time constant for the voltage transducer filtering.

Control**Voltage regulator proportional gain, K_PR (pu) – Proportional gain of the voltage regulator**

40 (default)

Per-unit proportional gain of the voltage regulator.

Voltage regulator integral gain, K_IR (pu/s) – Integral gain of the voltage regulator

5.6 (default)

Per-unit integral gain of the voltage regulator.

Voltage regulator derivative gain, K_DR (pu.s) – Derivative gain of the voltage regulator

0 (default)

Derivative gain of the voltage regulator.

Lag time constant for derivative channel of PID controller, T_DR (s) – Lag time constant for PID derivative channel

1 (default) | positive number

Equivalent lag time constant for the derivative channel of the PID controller.

Maximum regulator output, V_Rmax (pu) – Upper limit of the regulator output

3.2 (default) | real number

Maximum per-unit output voltage of the regulator.

Minimum regulator output, V_Rmin (pu) – Lower limit of the regulator output

-3.2 (default) | real number

Minimum per-unit output voltage of the regulator.

Field current regulator proportional gain, K_PA (pu) – Proportional gain of the field current regulator

112 (default) | real number

Per-unit proportional gain associated with the field current regulator.

Field current regulator integral gain, K_IA (pu/s) – Integral gain of the field current regulator

0 (default) | real number

Per-unit integral gain associated with the field current regulator.

Maximum field current regulator output, V_Amax (pu) – Maximum field current regulator output

65.2 (default) | real number

Maximum per-unit field current regulator output.

Minimum field current regulator output, V_Amin (pu) – Minimum field current regulator output

-54 (default) | real number

Minimum per-unit field current regulator output.

Generator field voltage feedback gain, K_F1 (pu) – Generator field voltage feedback gain

0 (default) | real number

Per-unit field voltage feedback gain associated with the generator.

Exciter field current feedback gain, K_F2 (pu) – Exciter field current feedback gain

0.08 (default) | real number

Per-unit field current feedback gain associated with the exciter.

Rate feedback gain, K_F3 (pu) – Rate feedback gain

0.01 (default) | real number

Per-unit rate feedback block gain.

Rate feedback time constant, T_F (s) – Rate feedback time constant

1 (default) | positive number

Rate feedback block time constant for the stabilization of the excitation system.

Alternate PSS input locations (V_S) – PSS input location

Voltage error calculation (default) | After take-over UEL

Location of the power system stabilizer input.

Alternate OEL input locations (V_{OEL}) – OEL input location

Unused (default) | Summation point at voltage error | Take-over at voltage error | Take-over at voltage regulator output | Take-over at output of inner loop regulator

Location of the overexcitation limiter input:

- If you select Summation point at voltage error, V_{OEL} is an input of the **Summation Point Logic** subsystem.
- If you select Take-over at voltage error, V_{OEL} is an input of the **Take-over Logic** subsystem.
- If you select Take-over at voltage regulator output, V_{OEL} is an input of the **Take-over Logic 1** subsystem.
- If you select Take-over at output of inner loop regulator, V_{OEL} is an input of the **Take-over Logic 2** subsystem.

Alternate UEL input locations (V_{UEL}) – UEL input location

Unused (default) | Summation point at voltage error | Take-over at voltage error | Take-over at voltage regulator output

Location of the underexcitation limiter input:

- If you select Summation point at voltage error, V_{UEL} is an input of the **Summation Point Logic** subsystem.
- If you select Take-over at voltage error, V_{UEL} is an input of the **Take-over Logic** subsystem.
- If you select Take-over at voltage regulator output, V_{UEL} is an input of the **Take-over Logic 1** subsystem.

Alternate SCL input locations (V_{SCL}) – SCL input location

Unused (default) | Summation point at voltage error | Take-over at voltage error | Take-over at voltage regulator output

Location of the stator current limiter input:

- If you select Summation point, use the V_{SCLsum} input port.
- If you select any of the Take-over options, use the V_{OELscl} and V_{UELscl} input ports.

Exciter**Exciter field proportional constant, K_E (pu) – Exciter field gain**

1 (default) | positive number

Proportional constant for the exciter field.

Exciter field time constant, T_E (s) — Exciter field time constant

1.2 (default) | positive number

Time constant for the exciter field.

Rectifier loading factor proportional to commutating reactance, K_C (pu) — Rectifier loading factor

0.12 (default) | positive number

Rectifier loading factor proportional to the commutating reactance.

Demagnetizing factor, function of exciter alternator reactances, K_D (pu) — Demagnetization factor

3.3 (default) | positive number

Demagnetization factor related to the exciter alternator reactances.

Exciter output voltage for saturation factor $S_E(E_1)$, E_1 (pu) — First saturation output voltage

13.6 (default) | positive number

Exciter output voltage for the first saturation factor.

Exciter saturation factor at exciter output voltage E_1 , $S_E(E_1)$ (1) — First saturation lookup voltage

3.74 (default) | positive number

Saturation factor for the first exciter.

Exciter output voltage for saturation factor $S_E(E_2)$, E_2 (pu) — Second saturation output voltage

10.2 (default) | positive number

Exciter output voltage for the second saturation factor.

Exciter saturation factor at exciter output voltage E_2 , $S_E(E_2)$ (1) — Second saturation lookup voltage

0.32 (default) | positive number

Saturation factor for the second exciter.

Maximum exciter field current limit reference, V_{Fmax} (pu) — Exciter upper limit

23.2 (default) | real number

Maximum per-unit field current limit reference.

Minimum exciter voltage output, V_{Emin} (pu) — Exciter lower limit

0 (default) | real number

Minimum per-unit exciter voltage output.

Potential circuit gain coefficient, K_P (pu) — Potential circuit gain coefficient

1 (default) | real number

Per-unit potential circuit gain coefficient.

Dependencies

This parameter is visible only when you set the **Power source selector SW1** parameter to Position A: power source derived from terminal voltage and the **Power source selector SW2** parameter to Position A: use variable V_B.

Potential circuit phase angle (degrees) – Potential circuit phase angle

0 (default) | real number

Potential circuit phase angle, in degrees.

Dependencies

To enable this parameter, set **Power source selector SW1** to Position A: power source derived from terminal voltage and **Power source selector SW2** to Position A: use variable V_B.

Potential circuit (current) gain coefficient, K_I (pu) – Potential circuit current gain coefficient

0 (default) | real number

Per-unit potential circuit current gain coefficient.

Dependencies

To enable this parameter, set **Power source selector SW1** to Position A: power source derived from terminal voltage and **Power source selector SW2** to Position A: use variable V_B.

Reactance associated with potential source, X_L (pu) – Reactance associated with potential source

0 (default) | real number

Per-unit reactance associated with the potential source.

Dependencies

To enable this parameter, set **Power source selector SW1** to Position A: power source derived from terminal voltage and **Power source selector SW2** to Position A: use variable V_B.

Gain related to regulator and alternator field power supply, K_R (pu) – Gain related to regulator and alternator field power supply

0 (default) | real number

Per-unit gain related to the regulator and alternator field power supply.

Dependencies

To enable this parameter, set **Power source selector SW2** to Position B: do not use variable V_B.

Gain related to negative exciter field current capability, K_L (pu) – Gain related to negative exciter field current capability

0 (default) | real number

Per-unit gain related to the negative exciter field current capability.

Power source selector SW1 — Power source selector

Position A: power source derived from terminal voltage (default) | Position B: power source independent of terminal conditions

Position of the power source selector SW1.

Dependencies

To enable this parameter, set **Power source selector SW2** to Position A: use variable V_B.

Power source selector SW2 — Power source selector

Position A: use variable V_B (default) | Position B: do not use variable V_B

Position of the power source selector SW2.

References

[1] *IEEE Recommended Practice for Excitation System Models for Power System Stability Studies*. IEEE Std 421.5-2016. Piscataway, NJ: IEEE-SA, 2016.

Extended Capabilities**C/C++ Code Generation**

Generate C and C++ code using Simulink® Coder™.

See Also**Blocks**

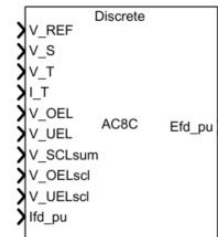
SM AC1C | SM AC2C | SM AC3C | SM AC4C | SM AC5C | SM AC6C | SM AC8C

Introduced in R2020a

SM AC8C

Discrete-time or continuous-time synchronous machine AC8C excitation system including an automatic voltage regulator and an exciter

Library: Simscape / Electrical / Control / SM Control



Description

The SM AC8C block implements a synchronous machine type AC8C excitation system model in conformance with IEEE 421.5-2016^[1].

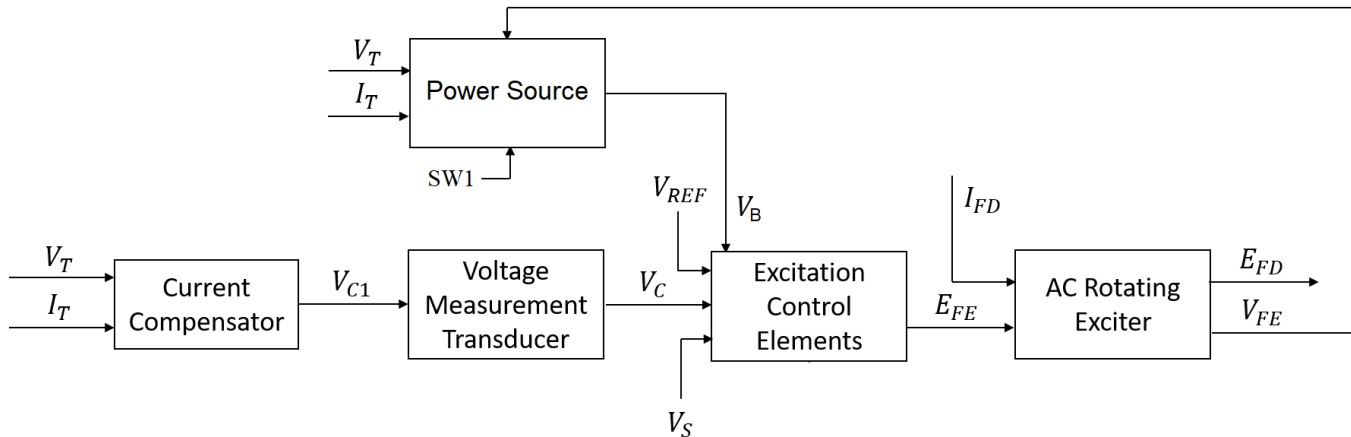
Use this block to model the control and regulation of the field voltage of a synchronous machine that operates as a generator using an AC rotating exciter.

You can switch between continuous and discrete implementations of the block by using the **Sample time (-1 for inherited)** parameter. To configure the integrator for continuous time, set the **Sample time (-1 for inherited)** property to 0. To configure the integrator for discrete time, set the **Sample time (-1 for inherited)** property to a positive, nonzero value, or to -1 to inherit the sample time from an upstream block.

The SM AC8C block is made up of five major components:

- The Current Compensator modifies the measured terminal voltage as a function of the terminal current.
- The Voltage Measurement Transducer simulates the dynamics of a terminal voltage transducer using a low-pass filter.
- The Excitation Control Elements component compares the voltage transducer output with a terminal voltage reference to produce a voltage error. This voltage error is then passed through a voltage regulator to produce the exciter field voltage.
- The AC Rotating Exciter models the AC rotating exciter, which produces a field voltage that is applied to the controlled synchronous machine. The block also feeds the exciter field current (which is given the standard symbol V_{FE}) back to the excitation system.
- The Power Source models the dependency of the power source for the controlled rectifier from the terminal voltage.

This diagram shows the overall structure of the AC8C excitation system model:



In the diagram:

- V_T and I_T are the measured terminal voltage and current of the synchronous machine.
- V_{C1} is the current-compensated terminal voltage.
- V_C is the filtered, current-compensated terminal voltage.
- V_{REF} is the reference terminal voltage.
- V_S is the power system stabilizer voltage.
- SW_1 is the user-selected power source switch for the controlled rectifier.
- V_B is the exciter field voltage.
- E_{FE} and V_{FE} are the exciter field voltage and current, respectively.
- E_{FD} and I_{FD} are the field voltage and current, respectively.

The following sections describe each of the major parts of the block in detail.

Current Compensator and Voltage Measurement Transducer

The current compensator is modeled as:

$$V_{C1} = V_T + I_T \sqrt{R_C^2 + X_C^2}$$

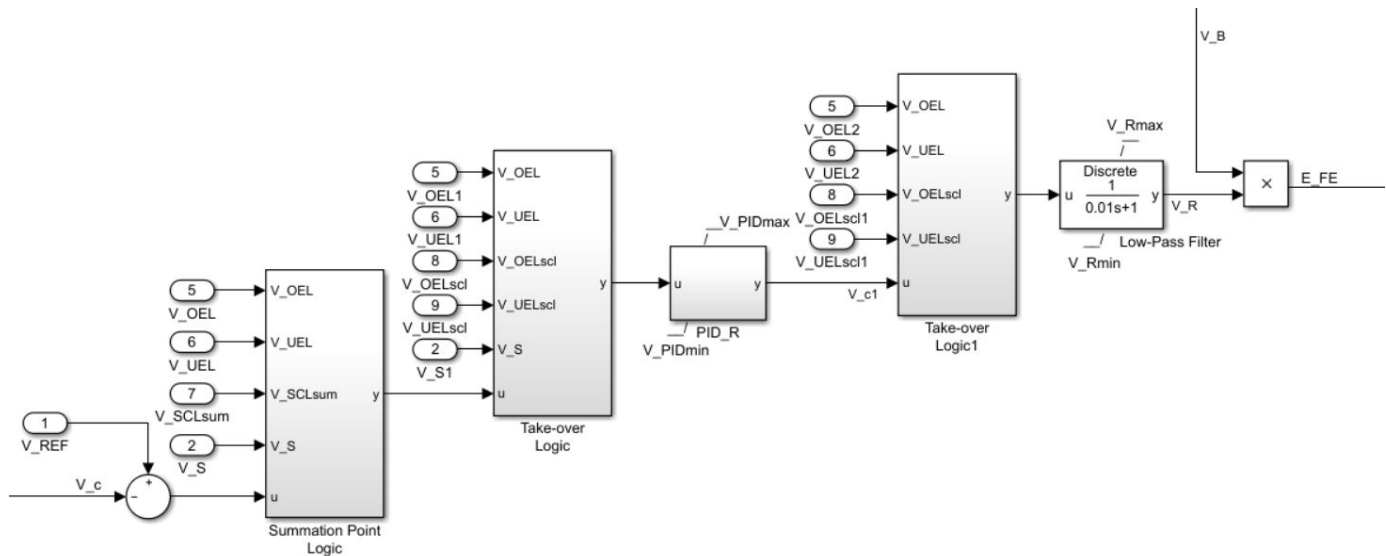
where:

- R_C is the load compensation resistance.
- X_C is the load compensation reactance.

The voltage measurement transducer is implemented as a Low-Pass Filter block with time constant T_R . Refer to the documentation for this block for the discrete and continuous implementations.

Excitation Control Elements

This diagram illustrates the overall structure of the excitation control elements:



In the diagram:

- The Summation Point Logic subsystem models the summation point input location for the overexcitation limiter (OEL), underexcitation limiter (UEL), stator current limiter (SCL), and the power switch selector (V_S) voltages. For more information about using limiters with this block, see “Field Current Limiters” on page 1-1542.
- There are two Take-over Logic subsystems. They model the take-over point input location for the OEL, UEL, SCL and PSS voltages. For more information about using limiters with this block, see “Field Current Limiters” on page 1-1469.
- The PID_R subsystem models a PID controller that functions as a control structure for the automatic voltage regulator. The minimum and maximum anti-windup saturation limits for the block are V_{PIDmin} and V_{PIDmax} , respectively.
- The Low-Pass Filter block models the major dynamics of the voltage regulator. Here, K_A is the regulator gain and T_A is the major time constant of the regulator. The minimum and maximum anti-windup saturation limits for the block are V_{Rmin} and V_{Rmax} , respectively.
- The **Logical switch 1** parameter controls the origin of the power source for the controlled rectifier. The voltage regulator command signal V_R is multiplied by the exciter field voltage, V_B . For more information about the user-selected logical switch for the power source of the controlled rectifier, see “Power Source” on page 1-1543.

Field Current Limiters

You can use various field current limiters to modify the output of the voltage regulator under unsafe operating conditions:

- Use an overexcitation limiter to prevent overheating of the field winding due to excessive field current demand.
- Use an underexcitation limiter to boost field excitation when it is too low, which risks desynchronization.
- Use a stator current limiter to prevent overheating of the stator windings due to excessive current.

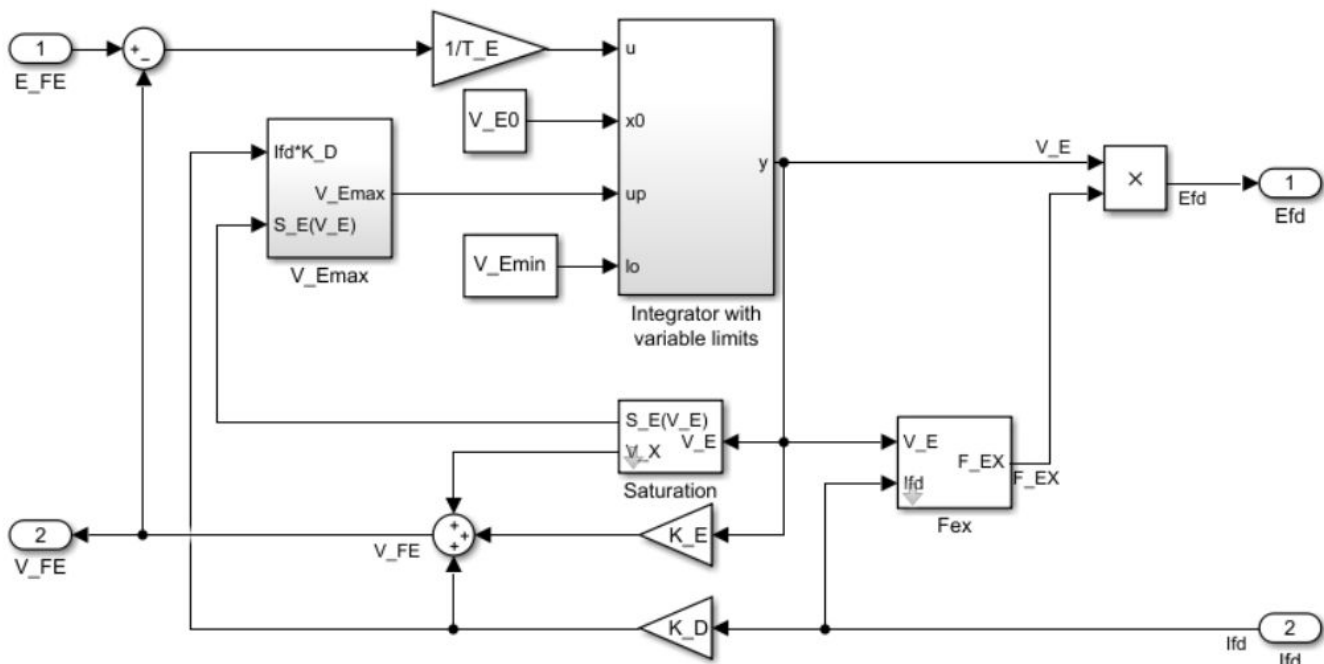
Attach the output of any of these limiters at one of these points:

- The summation point as part of the automatic voltage regulator (AVR) feedback loop
- The take-over point to override the usual behavior of the AVR

If you are using the stator current limiter at the summation point, use the single input V_{SCLsum} . If you are using the stator current limiter at the take-over point, use both the overexcitation input, V_{OELscl} , and the underexcitation input, V_{UELscl} .

AC Rotating Exciter

This diagram illustrates the overall structure of the AC rotating exciter:



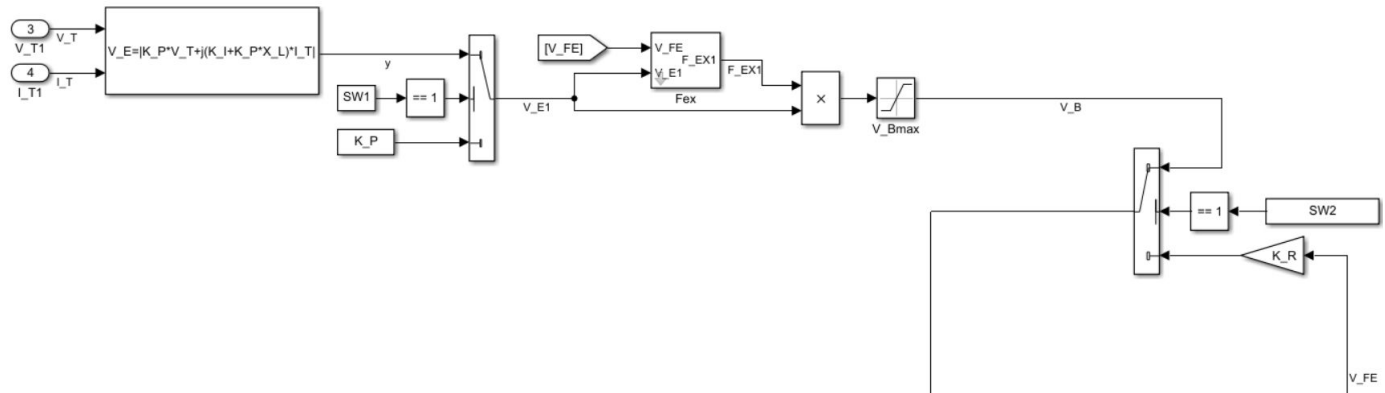
In the diagram:

- The exciter field current V_{FE} is modeled as the summation of three signals:
 - The nonlinear function V_x models the saturation of the exciter output voltage.
 - The proportional term K_E models the linear relationship between exciter output voltage and the exciter field current.
 - The demagnetizing effect of the load current on the exciter output voltage is modeled using the demagnetization constant K_D in the feedback loop.
- The Integrator with variable limits subsystem integrates the difference between E_{FE} and V_{FE} to generate the exciter alternator output voltage V_E . T_E is the time constant for this process.
- The nonlinear function F_{EX} models the exciter output voltage drop from the rectifier regulation. This function depends on the constant K_C , which itself is a function of commutating reactance.
- The parameters V_{Emin} and V_{FEmax} model the lower and upper limits of the rotating exciter.

Power Source

It is possible to use different power source representations for the controlled rectifier by selecting the relevant option in the **Logical switch 1** parameter. The power source for the controlled rectifier can

be either derived from the terminal voltage (Position A: power source derived from terminal voltage) or it can be independent of the terminal voltage (Position B: power source independent from the terminal conditions).



Ports

Input

V_REF — Voltage reference

scalar

Voltage regulator reference set point, in per-unit representation, specified as a scalar.

Data Types: single | double

V_S — Input from stabilizer

scalar

Input from the power system stabilizer, in per-unit representation, specified as a scalar.

Data Types: single | double

V_T — Terminal voltage

scalar

Terminal voltage magnitude in per-unit representation, specified as a scalar.

Data Types: single | double

I_T — Terminal current

scalar

Terminal current magnitude in per-unit representation, specified as a scalar.

Data Types: single | double

V_OEL — Overexcitation limit signal

scalar

Input from the overexcitation limiter, in per-unit representation, specified as a scalar.

Dependencies

- To ignore the input from the overexcitation limiter, set **Alternate OEL input locations (V_OEL)** to Unused.
- To use the input from the overexcitation limiter at the summation point, set **Alternate OEL input locations (V_OEL)** to Summation point.
- To use the input from the overexcitation limiter at the take-over point, set **Alternate OEL input locations (V_OEL)** to Take-over.

Data Types: single | double

V_UEL – Underexcitation limit signal

scalar

Input from the underexcitation limiter, in per-unit representation, specified as a scalar.

Dependencies

- To ignore the input from the underexcitation limiter, set **Alternate UEL input locations (V_UEL)** to Unused.
- To use the input from the underexcitation limiter at the summation point, set **Alternate UEL input locations (V_UEL)** to Summation point.
- To use the input from the underexcitation limiter at the take-over point, set **Alternate UEL input locations (V_UEL)** to Take-over.

Data Types: single | double

V_SCLsum – Summation point stator current limit signal

scalar

Input from the stator current limiter when using the summation point, in per-unit representation, specified as a scalar.

Dependencies

- To ignore the input from the stator current limiter, set **Alternate SCL input locations (V_SCL)** to Unused.
- To use the input from the stator current limiter at the summation point, set **Alternate SCL input locations (V_SCL)** to Summation point.

Data Types: single | double

V_OELsc1 – Take-over stator current limit for overexcitation limiter

scalar

Input from the stator current limiter to prevent field overexcitation when using the take-over point, in per-unit representation, specified as a scalar.

Dependencies

- To ignore the input from the stator current limiter, set **Alternate SCL input locations (V_SCL)** to Unused.
- To use the input from the stator current limiter at the take-over point, set **Alternate SCL input locations (V_SCL)** to Take-over.

Data Types: single | double

V_UELscl — Take-over stator current limit for underexcitation limiter

scalar

Input from the stator current limiter to prevent field underexcitation when using the take-over point, in per-unit representation, specified as a scalar.

Dependencies

- To ignore the input from the stator current limiter, set **Alternate SCL input locations (V_SCL)** to Unused.
- To use the input from the stator current limiter at the take-over point, set **Alternate SCL input locations (V_SCL)** to Take-over.

Data Types: single | double

Ifd_pu — Measured field current

scalar

Measured per-unit field current of the synchronous machine, specified as a scalar.

Data Types: single | double

Output

Efd_pu — Field voltage

scalar

Per-unit field voltage to apply to the field circuit of the synchronous machine, returned as a scalar.

Data Types: single | double

Parameters

General

Initial field voltage, Efd0 (pu) — Initial output voltage

1 (default) | real number

Initial per-unit voltage to apply to the field circuit of the synchronous machine.

Initial terminal voltage, Vt0 (pu) — Initial terminal voltage

1 (default) | real number

Initial per-unit voltage to apply to the terminal.

Initial terminal current, It0 (pu) — Initial terminal current

1 (default) | real number

Initial per-unit voltage to apply to the terminal.

Sample time (-1 for inherited) — Block sample time

-1 (default) | 0 | positive scalar

Time between consecutive block executions. During execution, the block produces outputs and, if appropriate, updates its internal state. For more information, see “What Is Sample Time?” and “Specify Sample Time”.

For inherited discrete-time operation, specify -1. For discrete-time operation, specify a positive integer. For continuous-time operation, specify 0.

If this block is in a masked subsystem, or other variant subsystem that allows you to switch between continuous operation and discrete operation, promote the sample time parameter. Promoting the sample time parameter ensures correct switching between the continuous and discrete implementations of the block. For more information, see “Promote Parameter to Mask”.

Pre-Control

Resistive component of load compensation, R_C (pu) — Compensation resistance
0 (default) | positive number

Resistance used in the current compensation system. Set this parameter and **Reactance component of load compensation, X_C (pu)** to 0 to disable current compensation.

Reactance component of load compensation, X_C (pu) — Compensation reactance
0 (default) | positive number

Reactance used in the current compensation system. Set this parameter and **Resistive component of load compensation, R_C (pu)** to 0 to disable current compensation.

Regulator input filter time constant, T_R (s) — Regulator time constant
0 (default) | positive number

Equivalent time constant for the voltage transducer filtering.

Control

Voltage regulator proportional gain, K_PR (pu) — Proportional gain of the voltage regulator
80 (default)

Per-unit proportional gain of the voltage regulator.

Voltage regulator integral gain, K_IR (pu/s) — Integral gain of the voltage regulator
5 (default)

Per-unit integral gain of the voltage regulator.

Voltage regulator derivative gain, K_DR (pu.s) — Derivative gain of the voltage regulator
10 (default)

Derivative gain of the voltage regulator.

Lag time constant for derivative channel of PID controller, T_DR (s) — Lag time constant for PID derivative channel
0.02 (default) | positive number

Equivalent lag time constant for the derivative channel of the PID controller.

Maximum voltage regulator output, V_PIDmax (pu) – Maximum output of PID regulator

99 (default) | positive number

Maximum admissible per-unit output of the PID regulator.

Minimum voltage regulator output, V_PIDmin (pu) – Minimum output of the regulator

-99 (default) | positive number

Minimum admissible per-unit output of the PID regulator.

Rectifier bridge gain, K_A (pu) – Rectifier bridge gain

1 (default) | positive number

Gain associated with the rectifier.

Rectifier bridge time constant, T_A (s) – Rectifier bridge time constant

0.01 (default) | positive number

Time constant of the rectifier.

Maximum regulator output, V_Rmax (pu) – Upper limit of the regulator output

35 (default) | real number

Maximum per-unit output voltage of the regulator.

Minimum regulator output, V_Rmin (pu) – Lower limit of the regulator output

0 (default) | real number

Minimum per-unit output voltage of the regulator.

Alternate PSS input locations (V_S) – PSS input location

Voltage error calculation (default) | After take-over UEL

Location of the power system stabilizer input.

Alternate OEL input locations (V_OEL) – OEL input location

Unused (default) | Summation point at voltage error | Take-over at voltage error | Take-over at voltage regulator output

Location of the overexcitation limiter input.

Alternate UEL input locations (V_UEL) – UEL input location

Unused (default) | Summation point at voltage error | Take-over at voltage error | Take-over at voltage regulator output

Location of the underexcitation limiter input.

Alternate SCL input locations (V_SCL) – SCL input location

Unused (default) | Summation point at voltage error | Take-over at voltage error | Take-over at voltage regulator output

Location of the stator current limiter input:

- If you select Summation point, use the **V_SCLsum** input port.

- If you select any of the Take-over options, use the **V_OELscl** and **V_UELscl** input ports.

Exciter

Exciter field proportional constant, K_E (pu) – Exciter field gain

1 (default) | positive number

Proportional constant for the exciter field.

Exciter field time constant, T_E (s) – Exciter field time constant

1.2 (default) | positive number

Time constant for the exciter field.

Rectifier loading factor proportional to commutating reactance, K_C (pu) – Rectifier loading factor

0.55 (default) | positive number

Rectifier loading factor proportional to the commutating reactance.

Demagnetizing factor, function of exciter alternator reactances, K_D (pu) – Demagnetization factor

1.1 (default) | positive number

Demagnetization factor related to the exciter alternator reactances.

Exciter output voltage for saturation factor $S_E(E_1)$, E_1 (pu) – First saturation output voltage

9 (default) | positive number

Exciter output voltage for the first saturation factor.

Exciter saturation factor at exciter output voltage E_1 , $S_E(E_1)$ (1) – First saturation lookup voltage

3 (default) | positive number

Saturation factor for the first exciter.

Exciter output voltage for saturation factor $S_E(E_2)$, E_2 (pu) – Second saturation output voltage

6.5 (default) | positive number

Exciter output voltage for the second saturation factor.

Exciter saturation factor at exciter output voltage E_2 , $S_E(E_2)$ (1) – Second saturation lookup voltage

0.3 (default) | positive number

Saturation factor for the second exciter.

Maximum exciter field current, V_{FEmax} (pu) – Exciter upper limit

6 (default) | real number

Maximum per-unit field current limit reference.

Minimum exciter voltage output limit, V_Emin (pu) – Exciter lower limit

0 (default) | real number

Minimum per-unit exciter voltage output.

Potential circuit gain coefficient, K_P (pu) – Potential circuit gain coefficient

1 (default) | real number

Per-unit potential circuit gain coefficient.

Dependencies

To enable this parameter, set **Logical switch 1** to Position A: power source derived from terminal voltage.

Potential circuit phase angle (degrees) – Potential circuit phase angle

0 (default) | real number

Potential circuit phase angle, in degrees.

Dependencies

To enable this parameter, set **Logical switch 1** to Position A: power source derived from terminal voltage.

Potential circuit (current) gain coefficient, K_I (pu) – Potential circuit current gain coefficient

0 (default) | real number

Per-unit potential circuit current gain coefficient.

Dependencies

To enable this parameter, set **Logical switch 1** to Position A: power source derived from terminal voltage.

Reactance associated with potential source, X_L (pu) – Reactance associated with potential source

0 (default) | real number

Per-unit reactance associated with the potential source.

Dependencies

To enable this parameter, set **Logical switch 1** to Position A: power source derived from terminal voltage.

Rectifier loading factor proportional to commutating reactance, K_C1 (pu) – Rectifier loading factor proportional to commutating reactance

0 (default) | real number

Per-unit loading factor of the rectifier that is proportional to the commutating reactance.

Logical switch 1 – Logical switch

Position A: power source derived from terminal voltage (default) | Position B: power source independent of the terminal conditions

Position of logical switch 1.

Maximum available exciter field voltage, V_Bmax (pu) — Maximum available exciter field voltage

1.25 (default) | real number

Maximum per-unit available field voltage for the exciter.

References

[1] *IEEE Recommended Practice for Excitation System Models for Power System Stability Studies*. IEEE Std 421.5-2016. Piscataway, NJ: IEEE-SA, 2016.

Extended Capabilities

C/C++ Code Generation

Generate C and C++ code using Simulink® Coder™.

See Also

Blocks

SM AC1C | SM AC2C | SM AC3C | SM AC4C | SM AC5C | SM AC6C | SM AC7C

Introduced in R2020a

SM Current Controller

Discrete-time synchronous machine current PI controller

Library: Simscape / Electrical / Control / SM Control



Description

The SM Current Controller block implements a discrete time PI-based synchronous machine (SM) current controller in the rotor d - q reference frame.

Defining Equations

The block is discretized using the backward Euler method due to its first-order simplicity and its stability.

Three PI current controllers implemented in the rotor reference frame produce the reference voltage vector:

$$v_d^{ref} = \left(K_{p_id} + K_{i_id} \frac{T_s z}{z-1} \right) (i_d^{ref} - i_d) + v_{d_FF},$$

$$v_q^{ref} = \left(K_{p_iq} + K_{i_iq} \frac{T_s z}{z-1} \right) (i_q^{ref} - i_q) + v_{q_FF},$$

and

$$v_f^{ref} = \left(K_{p_if} + K_{i_if} \frac{T_s z}{z-1} \right) (i_f^{ref} - i_f),$$

where:

- v_d^{ref} , v_q^{ref} , and v_f^{ref} are the d -axis, q -axis, and field reference voltages, respectively.
- i_d^{ref} , v_q^{ref} , and i_f^{ref} are the d -axis, q -axis, and field reference currents, respectively.
- i_d , i_q , and i_f are the d -axis, q -axis, and field currents, respectively.
- K_{p_id} , K_{p_iq} , and K_{p_if} are the proportional gains for the d -axis, q -axis and field controllers, respectively.
- K_{i_id} , K_{i_iq} , and K_{i_if} are the integral gains for the d -axis, q -axis and field controllers, respectively.
- v_{d_FF} , and v_{q_FF} are the feedforward voltages for the d -axis and q -axis, respectively, obtained from the machine mathematical equations and provided as inputs.

- T_s , is the sample time of the discrete controller.

Using PI control results in a zero in the closed-loop transfer function which can be canceled by introducing a zero-cancellation block in the feedforward path. The zero cancellation transfer functions in discrete time are:

$$G_{ZC_id}(z) = \frac{\frac{T_s K_{i_id}}{K_{p_id}}}{z + \left(\frac{T_s - \frac{K_{p_id}}{K_{i_id}}}{\frac{K_{p_id}}{K_{i_id}}} \right)},$$

$$G_{ZC_iq}(z) = \frac{\frac{T_s K_{i_iq}}{K_{p_iq}}}{z + \left(\frac{T_s - \frac{K_{p_iq}}{K_{i_iq}}}{\frac{K_{p_iq}}{K_{i_iq}}} \right)},$$

and

$$G_{ZC_if}(z) = \frac{\frac{T_s K_{i_if}}{K_{p_if}}}{z + \left(\frac{T_s - \frac{K_{p_if}}{K_{i_if}}}{\frac{K_{p_if}}{K_{i_if}}} \right)}.$$

Saturation must be imposed when the stator voltage vector exceeds the voltage phase limit V_{ph_max} :

$$\sqrt{v_d^2 + v_q^2} \leq V_{ph_max},$$

where v_d , and v_q are the d -axis and q -axis voltages, respectively.

In the case of axis prioritization, the voltages v_1 and v_2 are introduced, where:

- $v_1 = v_d$ and $v_2 = v_q$ for d -axis prioritization.
- $v_1 = v_q$ and $v_2 = v_d$ for q -axis prioritization.

The constrained (saturated) voltages v_1^{sat} and v_2^{sat} are obtained as follows:

$$v_1^{sat} = \min(\max(v_1^{unsat}, -V_{ph_max}), V_{ph_max}),$$

and

$$v_2^{sat} = \min(\max(v_2^{unsat}, -V_{2_max}), V_{2_max}),$$

where:

- v_1^{unsat} and v_2^{unsat} are the unconstrained (unsaturated) voltages.
- v_{2_max} is the maximum value of v_2 that does not exceed the voltage phase limit, given by $v_{2_max} = \sqrt{(V_{ph_max})^2 - (v_1^{sat})^2}$.

In the case that the direct and quadrature axes have the same priority (d-q equivalence) the constrained voltages are obtained as follows:

$$v_d^{sat} = \min(\max(v_d^{unsat}, -V_{d_max}), V_{d_max}),$$

and

$$v_q^{sat} = \min(\max(v_q^{unsat}, -V_{q_max}), V_{q_max}),$$

where

$$V_{d_max} = \frac{V_{ph_max}|v_d^{unsat}|}{\sqrt{(v_d^{unsat})^2 + (v_q^{unsat})^2}},$$

and

$$V_{q_max} = \frac{V_{ph_max}|v_q^{unsat}|}{\sqrt{(v_d^{unsat})^2 + (v_q^{unsat})^2}}.$$

The constrained (saturated) field voltage v_f^{sat} is limited according to the maximum admissible value:

$$v_f^{sat} = \min(\max(v_f^{unsat}, -V_{f_max}), V_{f_max}),$$

where:

- v_f^{unsat} is the unconstrained (unsaturated) field voltage.
- V_{f_max} is the maximum allowable field voltage.

An anti-windup mechanism is employed to avoid saturation of integrator output. In such a situation, the integrator gains become:

$$K_{i_id} + K_{aw_id}(v_d^{sat} - v_d^{unsat}),$$

$$K_{i_iq} + K_{aw_iq}(v_q^{sat} - v_q^{unsat}),$$

and

$$K_{i_if} + K_{aw_if}(v_f^{sat} - v_f^{unsat}),$$

where K_{aw_id} , K_{aw_iq} , and K_{aw_if} are the anti-windup gains for the d -axis, q -axis and field controllers, respectively.

Assumptions

- The plant model for direct and quadrature axis can be approximated with a first order system.
- This control solution is used only for synchronous motors with sinusoidal flux distribution and field windings.

Ports

Input

idqfRef — Reference currents, A

vector

Reference d-q and field currents for control of synchronous motor.

Data Types: single | double

idqf — Measured currents, A

vector

Actual d-q and field axis currents of controlled synchronous motor.

Data Types: single | double

vdqFF — Purpose, V

vector

Feedforward pre-control voltages.

Data Types: single | double

VphMax — Maximum phase voltage, V

scalar

Maximum allowable voltage in each phase.

Data Types: single | double

VfMax — Maximum field voltage, V

scalar

Maximum allowable field voltage.

Data Types: single | double

Reset — External reset

scalar

External reset signal (rising edge) for integrators.

Data Types: single | double

Output

vdqfRef — Reference voltages, V

vector

Reference d-q and field voltages for control of synchronous motor.

Data Types: single | double

Parameters

General

Sample time (-1 for inherited) – Block sample time

-1 (default) | positive scalar

Time, in s, between consecutive block executions. During execution, the block produces outputs and, if appropriate, updates its internal state. For more information, see “What Is Sample Time?” and “Specify Sample Time”.

If this block is inside a triggered subsystem, inherit the sample time by setting this parameter to -1. If this block is in a continuous variable-step model, specify the sample time explicitly using a positive scalar.

Discretization sample time – Block discretization sample time

0.001 (default) | -1 or positive number

Specify the discretization sample time when zero-cancellation is active and sample time is set to -1 (e.g., when the block is used inside a triggered subsystem).

Axis prioritization – Axis prioritization for voltage limiter

q-axis (default) | d-axis | d-q equivalence

Prioritize or maintain ratio between d and q axes when block limits voltage.

Enable zero cancellation – Feedforward zero-cancellation

off (default) | on

Enable or disable zero-cancellation on the feedforward path.

Enable pre-control voltage – Pre-control voltage

on (default) | off

Enable or disable pre-control voltage.

d-q Control

D-axis current proportional gain – D-axis proportional gain

1 (default) | positive number

Proportional gain of PI controller used for direct-axis current control.

D-axis current integral gain – D-axis integral gain

100 (default) | positive number

Integrator gain of PI controller used for direct-axis current control.

D-axis current anti-windup gain – D-axis anti-windup gain

1 (default) | positive number

Anti-windup gain of PI controller used for direct-axis current control.

Q-axis current proportional gain – Q-axis proportional gain

1 (default) | positive number

Proportional gain of PI controller used for quadrature-axis current control.

Q-axis current integral gain – Q-axis integral gain

100 (default) | positive number

Integrator gain of PI controller used for quadrature-axis current control.

Q-axis current anti-windup gain – Q-axis anti-windup gain

1 (default) | positive number

Anti-windup gain of PI controller used for quadrature-axis current control.

Field Control

Field current proportional gain – Field current proportional gain

9 (default) | positive number

Proportional gain of PI controller used for field current control.

Field current integral gain – Field current integral gain

350 (default) | positive number

Integrator gain of PI controller used for field current control.

Field current anti-windup gain – Field current anti-windup gain

1 (default) | positive number

Anti-windup gain of PI controller used for field current control.

References

- [1] Märgner, M., and W. Hackmann. "Control challenges of an externally excited synchronous machine in an automotive traction drive application." *Emobility-Electrical Power Train, 2006*, pp. 1-6.

Extended Capabilities

C/C++ Code Generation

Generate C and C++ code using Simulink® Coder™.

See Also

Blocks

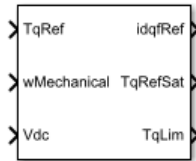
SM AC1C | SM Current Reference Generator

Introduced in R2017b

SM Current Reference Generator

Synchronous machine current reference generator

Library: Simscape / Electrical / Control / SM Control



Description

The SM Current Reference Generator block implements a current reference generator for synchronous machine (SM) current control in the rotor d - q reference frame.

Defining Equations

The SM Current Reference Generator block can obtain the current reference using one of these methods:

- Zero d -axis control (ZDAC).
- Lookup tables.

For the ZDAC method, the block sets:

- The d -axis current reference i_d^{ref} to zero:

$$i_d^{ref} = 0,$$

- The field current reference i_f^{ref} using the torque reference:

$$i_f^{ref} = \frac{|T_{ref}|}{T_{max}},$$

where $i_{f,max}$ is the maximum field current and T_{max} is the maximum torque.

- The q -axis current reference i_q^{ref} using the torque equation:

$$i_q^{ref} = \frac{T_{ref}}{K_t i_f^{ref}},$$

where T_{ref} is the reference torque input and K_t is the torque constant of the synchronous machine expressed by the simplified torque equation $T = K_t i_f i_q$.

For operation below the base speed of the synchronous machine, ZDAC is a suitable method. Above base speed, a field weakening controller is required to adjust the d -axis reference.

To pregenerate the current references for several operating points, define three lookup tables using the lookup tables approach:

$$i_d^{ref} = f(n_m, T_{ref}, v_{dc}),$$

$$i_q^{ref} = g(n_m, T_{ref}, v_{dc}),$$

and

$$i_f^{ref} = h(n_m, T_{ref}, v_{dc}).$$

Ports

Input

TqRef — Reference torque, N*m

scalar

Desired mechanical torque produced by the synchronous machine.

Data Types: `single` | `double`

wMechanical — Rotor mechanical speed, rad/s

scalar

Mechanical angular velocity of the synchronous machine rotor, obtained via direct measurement from the synchronous machine.

Data Types: `single` | `double`

Vdc — DC-link voltage, V

scalar

DC-link voltage of the converter. For the ZDAC method, this value is used to limit the output reference torque and torque limit. For the lookup table method, this value is used as an input to the lookup tables.

Data Types: `single` | `double`

Output

idqfRef — Reference currents, A

vector

Reference d-q and field currents to be given as inputs to a current controller.

Data Types: `single` | `double`

TqRefSat — Reference torque, N*m

scalar

Reference torque saturated by the calculated torque limit **TqLim**.

Data Types: `single` | `double`

TqLim — Torque limit, N*m

scalar

Torque limit imposed by both the electrical and mechanical constraints of the system.

Data Types: single | double

Parameters

General Parameters

Nominal dc-link voltage (V) — Rated DC voltage

300V (default) | positive number

Nominal DC-link voltage of the electrical source.

Maximum power (W) — Maximum power

30000W (default) | positive number

Maximum synchronous machine power.

Maximum torque (N*m) — Maximum torque

250N*m (default) | positive number

Maximum synchronous machine torque.

Maximum field current (A) — Maximum field current

25A (default) | positive number

Maximum field current of the synchronous machine.

Sample time (-1 for inherited) — Block sample time

-1 (default) | -1 or positive number

Sample time for the block (-1 for inherited). If this block is used inside a triggered subsystem, the sample time should be -1. If this block is used in a continuous variable-step model, then the sample time can be explicitly specified.

Reference Generation Strategy

Current references — Current reference strategy

Zero d-axis control (default) | Lookup-table based

Select the strategy for determining current references.

Torque constant (N*m/A) — Torque constant

0.0375 (default) | positive number

Torque constant of the synchronous machine.

Mechanical speed vector, wMechanical (rpm) — Rotor speed lookup vector

[0, 3000] (default) | positive monotonically increasing vector

Speed vector used in the lookup-tables for determining current references.

Torque reference vector, TqRef (N*m) — Torque reference lookup vector

[-100, 0, 100] (default) | positive monotonically increasing vector

Torque vector used in the lookup-tables for determining current references.

DC-link voltage vector, Vdc (V) — DC-link voltage lookup vector

[300, 350] (default) | positive monotonically increasing vector

DC-link voltage vector used in the lookup-tables for determining current references.

D-axis current reference matrix, id(wMechanical,TqRef,Vdc), (A) — Reference d-axis current values

zeros(2,3,2) (default) | real matrix

Direct-axis current reference lookup data.

Q-axis current reference matrix, iq(wMechanical,TqRef,Vdc), (A) — Reference q-axis current values

zeros(2,3,2) (default) | real matrix

Quadrature-axis current reference lookup data.

Field current reference matrix, iq(wMechanical,TqRef,Vdc), (A) — Reference field current values

zeros(2,3,2) (default) | real matrix

Field current reference lookup data.

References

- [1] Girardin, A., and G. Friedrich. "Optimal control for a wound rotor synchronous starter generator." *Industry Applications Conference, 2006*, pp. 14-19.
- [2] Carpiuc, S., C. Lazar, and D. I. Patrascu. "Optimal Torque Control of the Externally Excited Synchronous Machine." *Control Engineering and Applied Informatics, 14(2), 2012*, pp. 80-88.

Extended Capabilities**C/C++ Code Generation**

Generate C and C++ code using Simulink® Coder™.

See Also**Blocks**

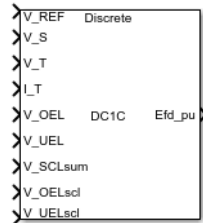
SM AC1C | SM Current Controller

Introduced in R2017b

SM DC1C

Discrete-time or continuous-time synchronous machine DC1C excitation system including an automatic voltage regulator and an exciter

Library: Simscape / Electrical / Control / SM Control



Description

The SM DC1C block models a synchronous machine type DC1C excitation system that conforms to IEEE 421.5-2016^[1].

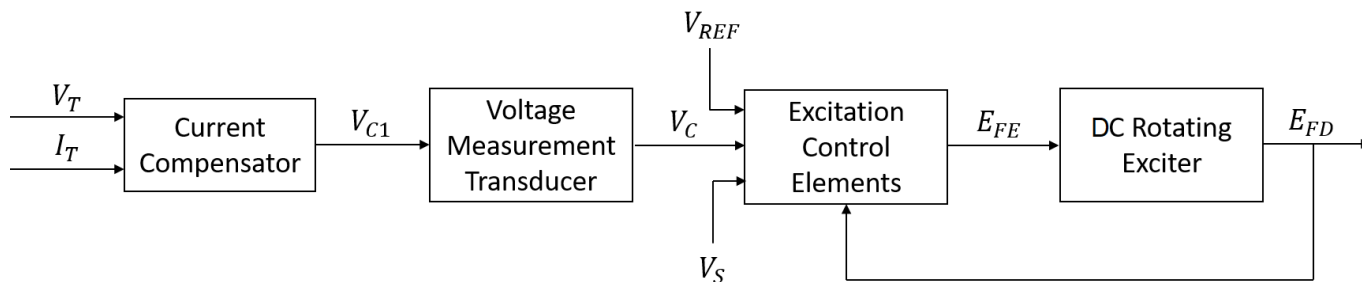
Use this block to model the control and regulation of the field voltage of a synchronous machine that operates as a generator using a DC commutator rotating exciter.

You can switch between continuous and discrete implementations of the block by using the **Sample time (-1 for inherited)** parameter. To configure the integrator for continuous time, set the **Sample time (-1 for inherited)** property to 0. To configure the integrator for discrete time, set the **Sample time (-1 for inherited)** property to a positive, nonzero value, or to -1 to inherit the sample time from an upstream block.

The SM DC1C block is made up of four major components:

- The current compensator modifies the measured terminal voltage as a function of terminal current.
- The voltage measurement transducer simulates the dynamics of a terminal voltage transducer by using a low-pass filter.
- The excitation control elements component compares the voltage transducer output with a terminal voltage reference to produce a voltage error. This voltage error is then passed through a voltage regulator to produce the exciter field voltage.
- The DC rotating exciter models the DC commutator rotating exciter and produces a field voltage that is applied to the controlled synchronous machine. The block also feeds the field voltage back to the excitation system.

This diagram shows the overall structure of the DC1C excitation system model:



In the diagram:

- V_T and I_T are the measured terminal voltage and current of the synchronous machine.
- V_{C1} is the current-compensated terminal voltage.
- V_C is the filtered, current-compensated terminal voltage.
- V_{REF} is the reference terminal voltage.
- V_S is the power system stabilizer voltage.
- E_{FE} is the exciter field voltage.
- E_{FD} is the field voltage.

The following sections describe each of the major parts of the block in detail.

Current Compensator and Voltage Measurement Transducer

The current compensator is modeled as:

$$V_{C1} = V_T + I_T \sqrt{R_C^2 + X_C^2},$$

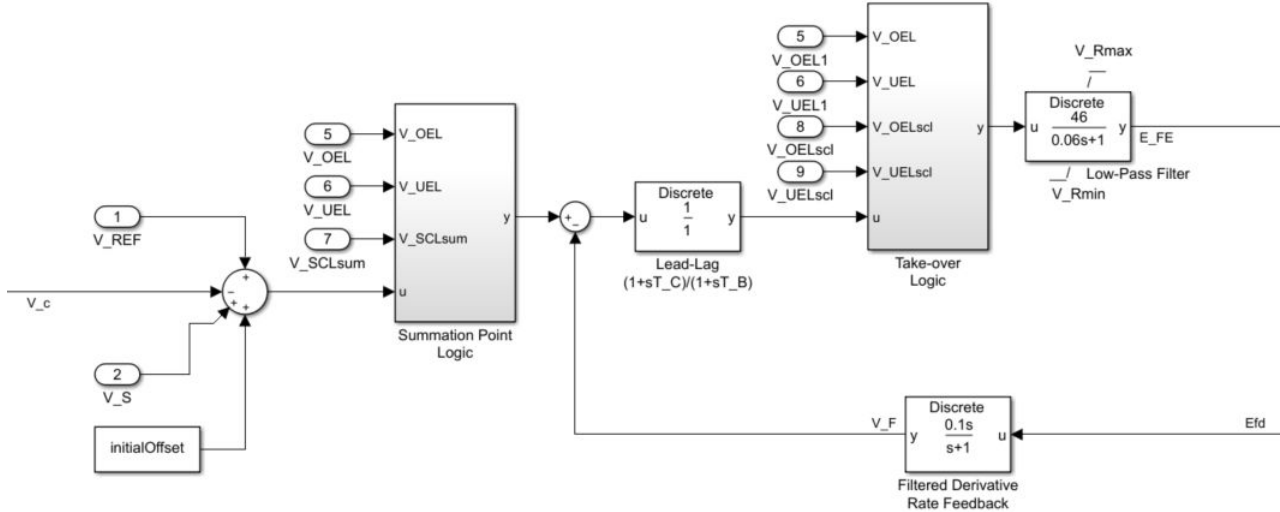
where:

- R_C is the load compensation resistance.
- X_C is the load compensation reactance.

The voltage measurement transducer is implemented as a Low-Pass Filter block with the time constant T_R . Refer to the documentation for this block for the exact discrete and continuous implementations.

Excitation Control Elements

This diagram illustrates the overall structure of the excitation control elements:



In the diagram:

- The Summation Point Logic subsystem models the summation point input location for the overexcitation limiter (OEL), underexcitation limiter (UEL), and stator current limiter (SCL) voltages. For more information about using limiters with this block, see “Field Current Limiters” on page 1-1564.
- The Lead-Lag block models additional dynamics associated with the voltage regulator. Here, T_C is the lead time constant and T_B is the lag time constant. Refer to the documentation for this block for the exact discrete and continuous implementations.
- The Low-Pass Filter block models the major dynamics of the voltage regulator. Here, K_A is the regulator gain and T_A is the major time constant of the regulator. The minimum and maximum anti-windup saturation limits for the block are V_{Rmin} and V_{Rmax} , respectively.
- The Take-over Logic subsystem models the take-over point input location for the OEL, UEL, and SCL voltages. For more information about using limiters with this block, see “Field Current Limiters” on page 1-1564.
- The Filtered Derivative block models the rate feedback path for the stabilization of the excitation system. Here, K_F and T_F are the gain and time constant of this system, respectively. Refer to the documentation for the Filtered Derivative block for the exact discrete and continuous implementations.

Field Current Limiters

You can use various field current limiters to modify the output of the voltage regulator under unsafe operating conditions:

- Use an overexcitation limiter to prevent overheating of the field winding due to excessive field current demand.
- Use an underexcitation limiter to boost field excitation when it is too low, which can risk desynchronization.
- Use a stator current limiter to prevent overheating of the stator windings due to excessive current.

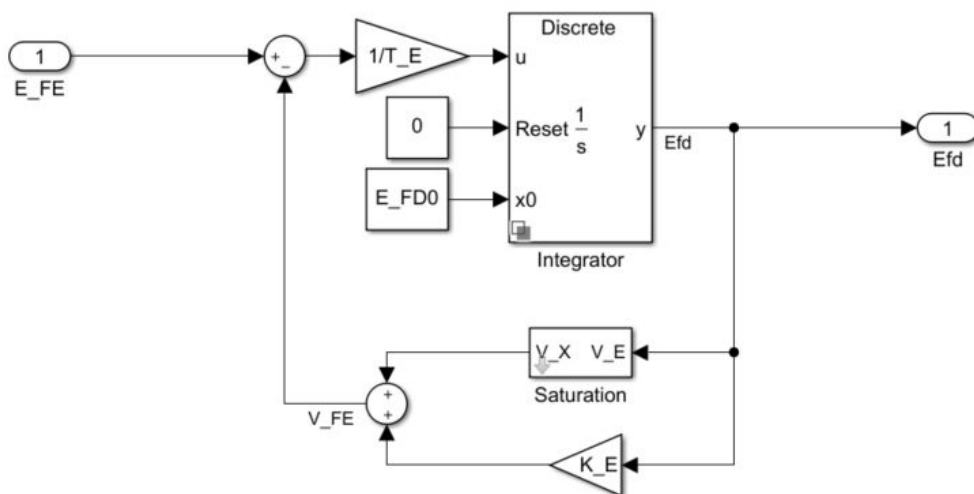
Attach the output of any of these limiters at one of these points:

- The summation point as part of the automatic voltage regulator (AVR) feedback loop
- The take-over point to override the usual behavior of the AVR

If you are using the stator current limiter at the summation point, use the single input V_{SCLsum} . If you are using the stator current limiter at the take-over point, use both an overexcitation input V_{OELscl} and an underexcitation input V_{UELscl} .

DC Rotating Exciter

This diagram illustrates the overall structure of the DC commutator rotating exciter:



In the diagram:

- The exciter field current V_{FE} is modeled as the summation of two signals:
 - The nonlinear function V_x models the saturation of the exciter output voltage.
 - The proportional term K_E models the linear relationship between exciter output voltage and the exciter field current.
- The **Integrator** subsystem integrates the difference between E_{FE} and V_{FE} to generate the output field voltage E_{fd} . T_E is the time constant for this process.

Ports

Input

V_REF — Voltage reference

scalar

Voltage regulator reference set point, in per-unit representation, specified as a scalar.

Data Types: single | double

V_S — Input from stabilizer

scalar

Input from the power system stabilizer, in per-unit representation, specified as a scalar.

Data Types: single | double

V_T – Terminal voltage

scalar

Terminal voltage magnitude in per-unit representation, specified as a scalar.

Data Types: single | double

I_T – Terminal current

scalar

Terminal current magnitude in per-unit representation, specified as a scalar.

Data Types: single | double

V_OEL – Overexcitation limit signal

scalar

Input from the overexcitation limiter, in per-unit representation, specified as a scalar.

Dependencies

- To ignore the input from the overexcitation limiter, set **Alternate OEL input locations (V_OEL)** to Unused.
- To use the input from the overexcitation limiter at the summation point, set **Alternate OEL input locations (V_OEL)** to Summation point.
- To use the input from the overexcitation limiter at the take-over point, set **Alternate OEL input locations (V_OEL)** to Take-over.

Data Types: single | double

V_UEL – Underexcitation limit signal

scalar

Input from the underexcitation limiter, in per-unit representation, specified as a scalar.

Dependencies

- To ignore the input from the underexcitation limiter, set **Alternate UEL input locations (V_UEL)** to Unused.
- To use the input from the underexcitation limiter at the summation point, set **Alternate UEL input locations (V_UEL)** to Summation point.
- To use the input from the underexcitation limiter at the take-over point, set **Alternate UEL input locations (V_UEL)** to Take-over.

Data Types: single | double

V_SCLsum – Summation point stator current limit signal

scalar

Input from the stator current limiter when using the summation point, in per-unit representation, specified as a scalar.

Dependencies

- To ignore the input from the stator current limiter, set **Alternate SCL input locations (V_SCL)** to Unused.
- To use the input from the stator current limiter at the summation point, set **Alternate SCL input locations (V_SCL)** to Summation point.

Data Types: single | double

V_OELscl — Take-over stator current limit (OEL)

scalar

Input from the stator current limiter to prevent field overexcitation when using the take-over point, in per-unit representation, specified as a scalar.

Dependencies

- To ignore the input from the stator current limiter, set **Alternate SCL input locations (V_SCL)** to Unused.
- To use the input from the stator current limiter at the take-over point, set **Alternate SCL input locations (V_SCL)** to Take-over.

Data Types: single | double

V_UELscl — Take-over stator current limit (UEL)

scalar

Input from the stator current limiter to prevent field underexcitation when using the take-over point, in per-unit representation, specified as a scalar.

Dependencies

- To ignore the input from the stator current limiter, set **Alternate SCL input locations (V_SCL)** to Unused.
- To use the input from the stator current limiter at the take-over point, set **Alternate SCL input locations (V_SCL)** to Take-over.

Data Types: single | double

Output**Efd_pu — Field voltage**

scalar

Per-unit field voltage to be applied to the field circuit of the synchronous machine, returned as a scalar.

Data Types: single | double

Parameters**General****Initial field voltage, Efd0 (pu) — Initial output voltage**

1 (default) | real number

Initial per-unit voltage to be applied to the field circuit of the synchronous machine.

Sample time (-1 for inherited) — Block sample time

-1 (default) | 0 | positive scalar

Time between consecutive block executions. During execution, the block produces outputs and, if appropriate, updates its internal state. For more information, see “What Is Sample Time?” and “Specify Sample Time”.

For inherited discrete-time operation, specify -1. For discrete-time operation, specify a positive integer. For continuous-time operation, specify 0.

If this block is in a masked subsystem, or other variant subsystem that allows you to switch between continuous operation and discrete operation, promote the sample time parameter. Promoting the sample time parameter ensures correct switching between the continuous and discrete implementations of the block. For more information, see “Promote Parameter to Mask”.

Pre-Control**Resistive component of load compensation, R_C (pu) — Compensation resistance**

0 (default) | positive number

Resistance used in the current compensation system. Set this and **Reactance component of load compensation, X_C (pu)** to 0 to disable current compensation.

Reactance component of load compensation, X_C (pu) — Compensation reactance

0 (default) | positive number

Reactance used in the current compensation system. Set this and **Resistive component of load compensation, R_C (pu)** to 0 to disable current compensation.

Regulator input filter time constant, T_R (s) — Regulator time constant

0 (default) | positive number

Equivalent time constant for the voltage transducer filtering.

Control**Regulator output gain, K_A (pu) — Regulator gain**

46 (default) | positive number

Gain associated with the voltage regulator.

Regulator time constant, T_A (s) — Regulator time constant

0.06 (default) | positive number

Major time constant of the voltage regulator.

Regulator denominator (lag) time constant, T_B (s) — Regulator lag time constant

0 (default) | positive number

Equivalent lag time constant in the voltage regulator. Set this to 0 when the additional lag dynamics are negligible.

Regulator numerator (lead) time constant, T_C (s) — Regulator lead time constant

0 (default) | positive number

Equivalent lead time constant in the voltage regulator. Set this to 0 when the additional lead dynamics are negligible.

Rate feedback gain, K_F (pu) — Rate feedback gain

0.1 (default) | positive number

Rate feedback block gain for the stabilization of the excitation system.

Rate feedback time constant, T_F (s) — Rate feedback time constant

1 (default) | positive number

Rate feedback block time constant for the stabilization of the excitation system.

Maximum controller output, V_{Rmax} (pu) — Controller output upper limit

1 (default) | real number

Maximum per-unit output voltage of the controller.

Minimum controller output, V_{Rmin} (pu) — Controller output lower limit

-0.9 (default) | real number

Minimum per-unit output voltage of the controller.

Alternate OEL input locations (V_{OEL}) — Overexcitation limiter input location

Unused (default) | Summation point | Take-over

Select the overexcitation limiter input location.

Alternate UEL input locations (V_{UEL}) — Underexcitation limiter input location

Unused (default) | Summation point | Take-over

Select the underexcitation limiter input location.

Alternate SCL input locations (V_{SCL}) — Stator current limiter input location

Unused (default) | Summation point | Take-over

Select stator current limiter input location. To specify the SCL input:

- If you select *Summation point*, use the **V_{SCLsum}** input port.
- If you select *Take-over*, use the **V_{OELscl}** and **V_{UELscl}** input ports.

Exciter

Exciter field proportional constant, K_E (pu) — Exciter field gain

0.05 (default) | positive number

Proportional constant for the exciter field.

Exciter field time constant, T_E (s) — Exciter field time constant

0.46 (default) | positive number

Time constant for the exciter field.

Lower limit, E_{FDmin} (pu) — Field voltage lower limit

-99 (default) | positive number

Lower limit for the field voltage.

Exciter output voltage for saturation factor $S_E(E_1)$, E_1 (pu) — First saturation output voltage

3.1 (default) | positive number

Exciter output voltage for the first saturation factor.

Exciter saturation factor at exciter output voltage E_1 , $S_E(E_1)$ (1) — First saturation lookup voltage

0.33 (default) | positive number

First exciter saturation factor.

Exciter output voltage for saturation factor $S_E(E_2)$, E_2 (pu) — Second saturation output voltage

2.3 (default) | positive number

Exciter output voltage for second saturation factor.

Exciter saturation factor at exciter output voltage E_2 , $S_E(E_2)$ (1) — Second saturation lookup voltage

0.10 (default) | positive number

Second exciter saturation factor.

References

- [1] *IEEE Recommended Practice for Excitation System Models for Power System Stability Studies*. IEEE Std 421.5-2016. Piscataway, NJ: IEEE-SA, 2016.

Extended Capabilities

C/C++ Code Generation

Generate C and C++ code using Simulink® Coder™.

See Also

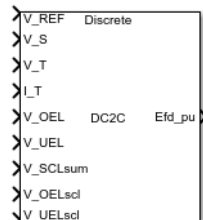
SM DC2C

Introduced in R2020a

SM DC2C

Discrete-time or continuous-time synchronous machine DC2C excitation system including an automatic voltage regulator and an exciter

Library: Simscape / Electrical / Control / SM Control



Description

The SM DC2C block models a synchronous machine type DC2C excitation system that conforms to IEEE 421.5-2016^[1].

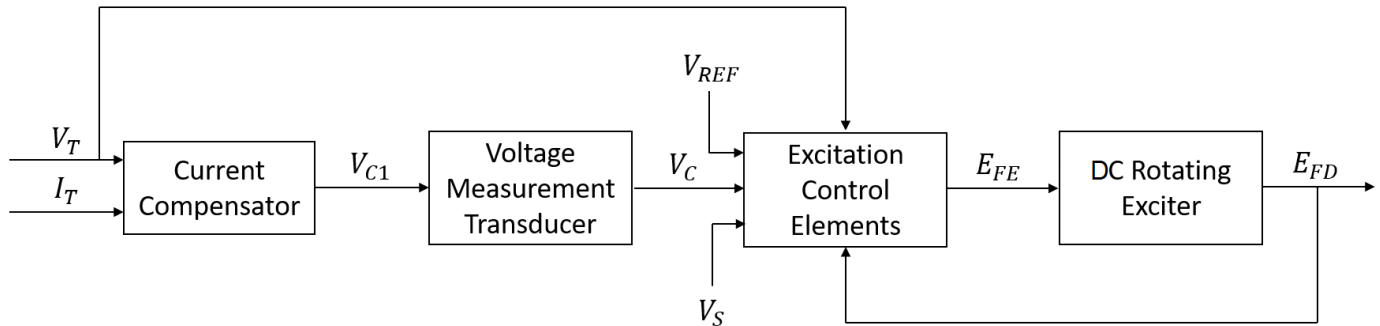
Use this block to model the control and regulation of the field voltage of a synchronous machine that operates as a generator using a DC commutator rotating exciter.

You can switch between continuous and discrete implementations of the block by using the **Sample time (-1 for inherited)** parameter. To configure the integrator for continuous time, set the **Sample time (-1 for inherited)** property to 0. To configure the integrator for discrete time, set the **Sample time (-1 for inherited)** property to a positive, nonzero value, or to -1 to inherit the sample time from an upstream block.

The SM DC2C block is made up of four major components:

- The current compensator modifies the measured terminal voltage as a function of terminal current.
- The voltage measurement transducer simulates the dynamics of a terminal voltage transducer by using a low-pass filter.
- The excitation control elements component compares the voltage transducer output with a terminal voltage reference to produce a voltage error. This voltage error is then passed through a voltage regulator to produce the exciter field voltage.
- The DC rotating exciter models the DC commutator rotating exciter and produces a field voltage that is applied to the controlled synchronous machine. The block also feeds the field voltage back to the excitation system.

This diagram shows the overall structure of the DC2C excitation system model:



In the diagram:

- V_T and I_T are the measured terminal voltage and current of the synchronous machine.
- V_{C1} is the current-compensated terminal voltage.
- V_C is the filtered, current-compensated terminal voltage.
- V_{REF} is the reference terminal voltage.
- V_S is the power system stabilizer voltage.
- E_{FE} is the exciter field voltage.
- E_{FD} is the field voltage.

The following sections describe each of the major parts of the block in detail.

Current Compensator and Voltage Measurement Transducer

The current compensator is modeled as:

$$V_{C1} = V_T + I_T \sqrt{R_C^2 + X_C^2},$$

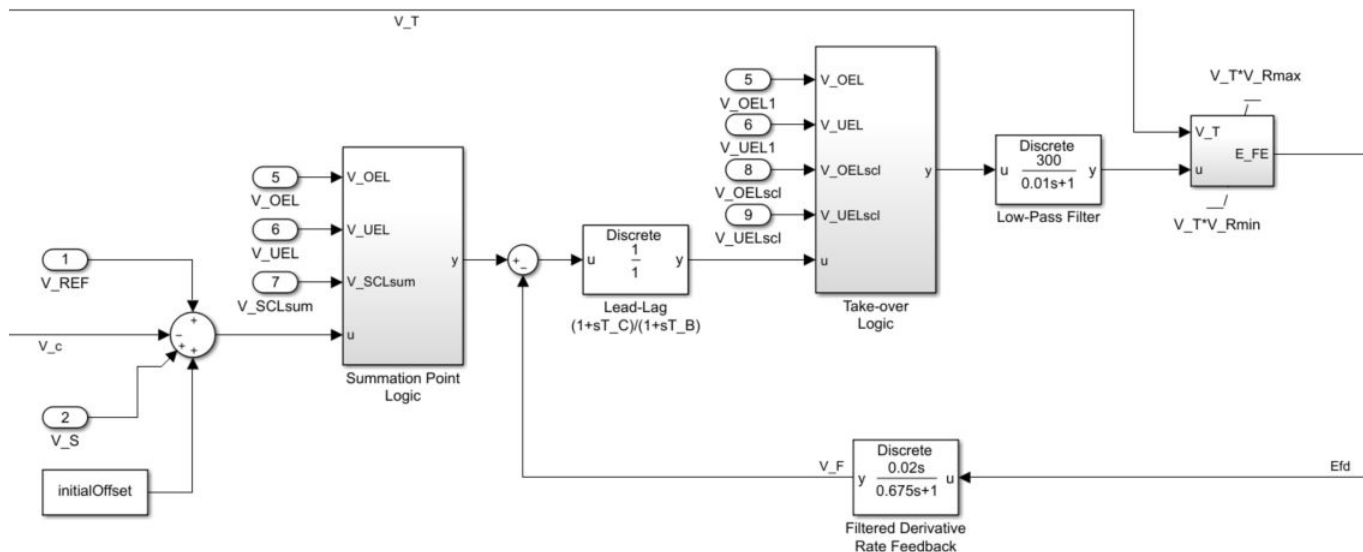
where:

- R_C is the load compensation resistance.
- X_C is the load compensation reactance.

The voltage measurement transducer is implemented as a Low-Pass Filter block with the time constant T_R . Refer to the documentation for this block for the exact discrete and continuous implementations.

Excitation Control Elements

This diagram illustrates the overall structure of the excitation control elements:



In the diagram:

- The Summation Point Logic subsystem models the summation point input location for the overexcitation limiter (OEL), underexcitation limiter (UEL), and stator current limiter (SCL) voltages. For more information about using limiters with this block, see “Field Current Limiters” on page 1-1573.
- The Lead-Lag block models additional dynamics associated with the voltage regulator. Here, T_C is the lead time constant and T_B is the lag time constant. Refer to the Lead-Lag block documentation for the exact discrete and continuous implementations.
- The Low-Pass Filter block models the major dynamics of the voltage regulator. Here, K_A is the regulator gain and T_A is the major time constant of the regulator. The minimum and maximum anti-windup saturation limits for the block are V_{Rmin} and V_{Rmax} , respectively.
- The Take-over Logic subsystem models the take-over point input location for the OEL, UEL, and SCL voltages. For more information about using limiters with this block, see “Field Current Limiters” on page 1-1573.
- The Filtered Derivative block models the rate feedback path for stabilization of the excitation system. Here, K_F and T_F are the gain and time constant of this system, respectively. Refer to the documentation for the Filtered Derivative block for the exact discrete and continuous implementations.
- V_T*V_{Rmax} and V_T*V_{Rmin} are the minimum and maximum saturation limits for the output exciter field voltage E_{FE} .

Field Current Limiters

You can use various field current limiters to modify the output of the voltage regulator under unsafe operating conditions:

- Use an overexcitation limiter to prevent overheating of the field winding due to excessive field current demand.
- Use an underexcitation limiter to boost field excitation when it is too low, which can risk desynchronization.

- Use a stator current limiter to prevent overheating of the stator windings due to excessive current.

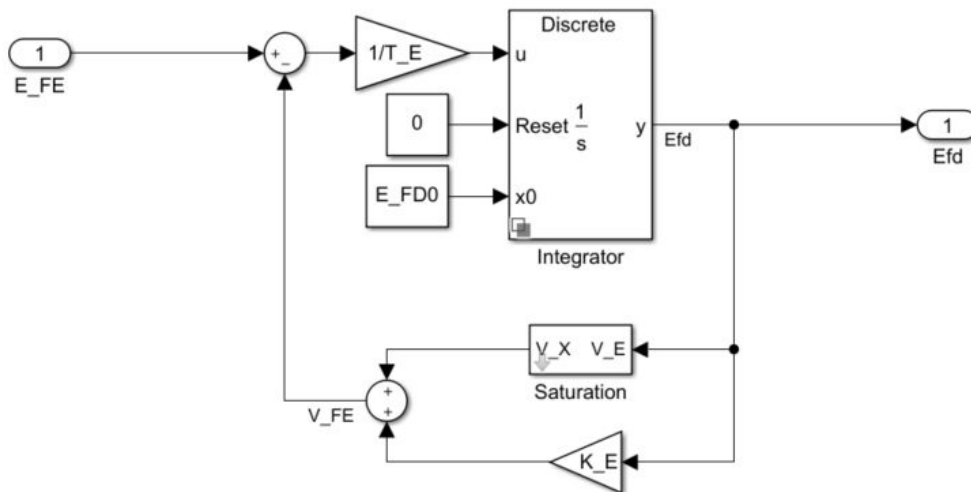
Attach the output of any of these limiters at one of these points:

- The summation point as part of the automatic voltage regulator (AVR) feedback loop
- The take-over point to override the usual behavior of the AVR

If you are using the stator current limiter at the summation point, use the single input V_{SCLsum} . If you are using the stator current limiter at the take-over point, use both an overexcitation input V_{OELscl} and an underexcitation input V_{UELscl} .

DC Rotating Exciter

This diagram illustrates the overall structure of the DC commutator rotating exciter:



In the diagram:

- The exciter field current V_{FE} is modeled as the summation of two signals:
 - The nonlinear function V_x models the saturation of the exciter output voltage.
 - The proportional term K_E models the linear relationship between exciter output voltage and the exciter field current.
- The **Integrator** subsystem integrates the difference between E_{FE} and V_{FE} to generate the output field voltage E_{fd} . T_E is the time constant for this process.

Ports

Input

V_REF — Voltage reference

scalar

Voltage regulator reference set point, in per-unit representation, specified as a scalar.

Data Types: single | double

V_S – Input from stabilizer

scalar

Input from the power system stabilizer, in per-unit representation, specified as a scalar.

Data Types: single | double

V_T – Terminal voltage

scalar

Terminal voltage magnitude in per-unit representation, specified as a scalar.

Data Types: single | double

I_T – Terminal current

scalar

Terminal current magnitude in per-unit representation, specified as a scalar.

Data Types: single | double

V_OEL – Overexcitation limit signal

scalar

Input from the overexcitation limiter, in per-unit representation, specified as a scalar.

Dependencies

- To ignore the input from the overexcitation limiter, set **Alternate OEL input locations (V_OEL)** to Unused.
- To use the input from the overexcitation limiter at the summation point, set **Alternate OEL input locations (V_OEL)** to Summation point.
- To use the input from the overexcitation limiter at the take-over point, set **Alternate OEL input locations (V_OEL)** to Take-over.

Data Types: single | double

V_UEL – Underexcitation limit signal

scalar

Input from the underexcitation limiter, in per-unit representation, specified as a scalar.

Dependencies

- To ignore the input from the underexcitation limiter, set **Alternate UEL input locations (V_UEL)** to Unused.
- To use the input from the underexcitation limiter at the summation point, set **Alternate UEL input locations (V_UEL)** to Summation point.
- To use the input from the underexcitation limiter at the take-over point, set **Alternate UEL input locations (V_UEL)** to Take-over.

Data Types: single | double

V_SCLsum – Summation point stator current limit signal

scalar

Input from the stator current limiter when using the summation point, in per-unit representation, specified as a scalar.

Dependencies

- To ignore the input from the stator current limiter, set **Alternate SCL input locations (V_SCL)** to Unused.
- To use the input from the stator current limiter at the summation point, set **Alternate SCL input locations (V_SCL)** to Summation point.

Data Types: single | double

V_OELscl – Take-over stator current limit (OEL)

scalar

Input from the stator current limiter to prevent field overexcitation when using the take-over point, in per-unit representation, specified as a scalar.

Dependencies

- To ignore the input from the stator current limiter, set **Alternate SCL input locations (V_SCL)** to Unused.
- To use the input from the stator current limiter at the take-over point, set **Alternate SCL input locations (V_SCL)** to Take-over.

Data Types: single | double

V_UELscl – Take-over stator current limit (UEL)

scalar

Input from the stator current limiter to prevent field underexcitation when using the take-over point, in per-unit representation, specified as a scalar.

Dependencies

- To ignore the input from the stator current limiter, set **Alternate SCL input locations (V_SCL)** to Unused.
- To use the input from the stator current limiter at the take-over point, set **Alternate SCL input locations (V_SCL)** to Take-over.

Data Types: single | double

Output**Efd_pu – Field voltage**

scalar

Per-unit field voltage to be applied to the field circuit of the synchronous machine, returned as a scalar.

Data Types: single | double

Parameters

General

Initial field voltage, E_{fd0} (pu) — Initial output voltage

1 (default) | real number

Initial per-unit voltage to be applied to the field circuit of the synchronous machine.

Sample time (-1 for inherited) — Block sample time

-1 (default) | 0 | positive scalar

Time between consecutive block executions. During execution, the block produces outputs and, if appropriate, updates its internal state. For more information, see “What Is Sample Time?” and “Specify Sample Time”.

For inherited discrete-time operation, specify -1. For discrete-time operation, specify a positive integer. For continuous-time operation, specify 0.

If this block is in a masked subsystem, or other variant subsystem that allows you to switch between continuous operation and discrete operation, promote the sample time parameter. Promoting the sample time parameter ensures correct switching between the continuous and discrete implementations of the block. For more information, see “Promote Parameter to Mask”.

Pre-Control

Resistive component of load compensation, R_C (pu) — Compensation resistance

0 (default) | positive number

Resistance used in the current compensation system. Set this and **Reactance component of load compensation, X_C (pu)** to 0 to disable current compensation.

Reactance component of load compensation, X_C (pu) — Compensation reactance

0 (default) | positive number

Reactance used in the current compensation system. Set this and **Resistive component of load compensation, R_C (pu)** to 0 to disable current compensation.

Regulator input filter time constant, T_R (s) — Regulator time constant

0 (default) | positive number

Equivalent time constant for the voltage transducer filtering.

Control

Regulator output gain, K_A (pu) — Regulator gain

300 (default) | positive number

Gain associated with the voltage regulator.

Regulator time constant, T_A (s) — Regulator time constant

0.01 (default) | positive number

Major time constant of the voltage regulator.

Regulator denominator (lag) time constant, T_B (s) — Regulator lag time constant
0 (default) | positive number

Equivalent lag time constant in the voltage regulator. Set this to 0 when the additional lag dynamics are negligible.

Regulator numerator (lead) time constant, T_C (s) — Regulator lead time constant
0 (default) | positive number

Equivalent lead time constant in the voltage regulator. Set this to 0 when the additional lead dynamics are negligible.

Rate feedback gain, K_F (pu) — Rate feedback gain
0.02 (default) | positive number

Rate feedback block gain for the stabilization of the excitation system.

Rate feedback time constant, T_F (s) — Rate feedback time constant
0.675 (default) | positive number

Rate feedback block time constant for the stabilization of the excitation system.

Maximum controller output, V_{Rmax} (pu) — Controller output upper limit
4.95 (default) | real number

Maximum per-unit output voltage of the controller.

Minimum controller output, V_{Rmin} (pu) — Controller output lower limit
-4.90 (default) | real number

Minimum per-unit output voltage of the controller.

Alternate OEL input locations (V_{OEL}) — Overexcitation limiter input location
Unused (default) | Summation point | Take-over

Select the overexcitation limiter input location.

Alternate UEL input locations (V_{UEL}) — Underexcitation limiter input location
Unused (default) | Summation point | Take-over

Select the underexcitation limiter input location.

Alternate SCL input locations (V_{SCL}) — Stator current limiter input location
Unused (default) | Summation point | Take-over

Select stator current limiter input location. To specify the SCL input:

- If you select *Summation point*, use the **V_{SCLsum}** input port.
- If you select *Take-over*, use the **V_{OELscl}** and **V_{UELscl}** input ports.

Exciter

Exciter field proportional constant, K_E (pu) — Exciter field gain
1 (default) | positive number

Proportional constant for exciter field.

Exciter field time constant, T_E (s) – Exciter field time constant

1.33 (default) | positive number

Time constant for exciter field.

Lower limit, E_FDmin (pu) – Field voltage lower limit

-99 (default) | positive number

Lower limit for the field voltage.

Exciter output voltage for saturation factor S_E(E_1), E_1 (pu) – First saturation output voltage

3.05 (default) | positive number

Exciter output voltage for first saturation factor.

Exciter saturation factor at exciter output voltage E_1, S_E(E_1) (1) – First saturation lookup voltage

0.279 (default) | positive number

First exciter saturation factor.

Exciter output voltage for saturation factor S_E(E_2), E_2 (pu) – Second saturation output voltage

2.29 (default) | positive number

Exciter output voltage for second saturation factor.

Exciter saturation factor at exciter output voltage E_2, S_E(E_2) (1) – Second saturation lookup voltage

0.117 (default) | positive number

Second exciter saturation factor.

References

- [1] *IEEE Recommended Practice for Excitation System Models for Power System Stability Studies*. IEEE Std 421.5-2016. Piscataway, NJ: IEEE-SA, 2016.

Extended Capabilities**C/C++ Code Generation**

Generate C and C++ code using Simulink® Coder™.

See Also

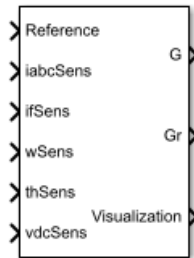
SM DC1C

Introduced in R2020a

SM Field-Oriented Control

Synchronous machine field-oriented control

Library: Simscape / Electrical / Control / SM Control



Description

The SM Field-Oriented Control block implements a synchronous machine (SM) field-oriented control structure. Field Oriented Control (FOC) is a performant AC motor control strategy that decouples torque and flux by transforming the stationary phase currents to a rotating frame. Use FOC when rotor speed and position are known and your application requires:

- High torque and low current at startup
- High efficiency

Equations

The SM FOC is made up of several control blocks from the Control library. To see and modify these blocks and the FOC's internal structure, right-click the block in Simulink and select **Mask > Look Under Mask**. The overall control structure is made up of several parts:

- The outer loop controller converts the reference signal you supply to the reference d -axis, q -axis, and field currents.

You can choose the type of reference signal you provide using the `Control mode` parameter:

- `Velocity control` — Control or regulate the rotation speed of the synchronous machine. An internal Velocity Controller block generates a reference torque from the rotor speed error.
- `Torque control` — Control or regulate the mechanical torque of the SM.

An internal SM Current Reference Generator block generates the reference currents using a proportional-integral (PI) controller, minimizing the torque error.

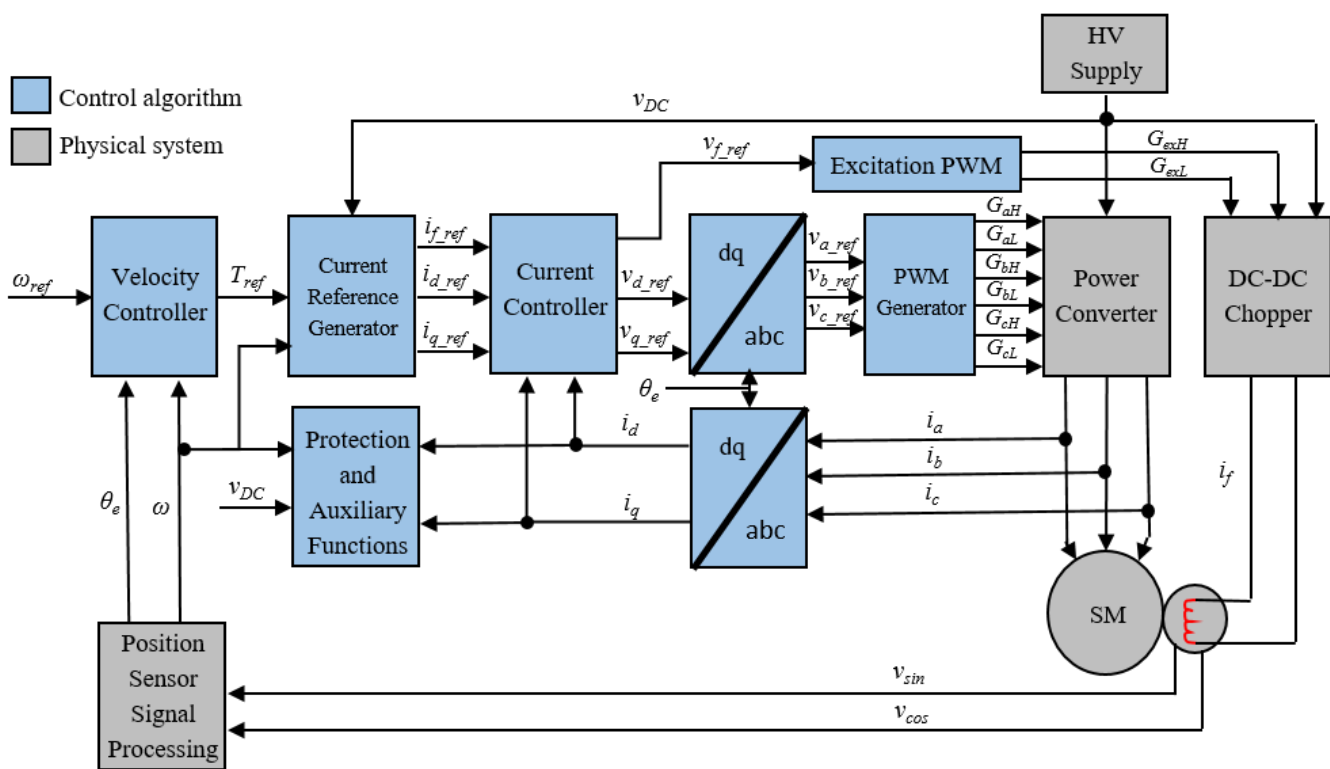
- The inner loop controller converts the current references into voltage references. An internal SM Current Controller generates the voltage references using a PI controller minimizing the current error, and the feedforward terms:

$$\begin{aligned}v_{d_FF} &= -\omega_e L_{qi} i_q \\v_{q_FF} &= \omega_e (L_d i_d + L_m f i_f) \\v_{f_FF} &= 0\end{aligned}$$

where:

- ω_e is the rotor electrical angular velocity.
- L_d and L_q are the d - and q -axis stator inductances.
- L_{mf} is the mutual field armature inductance.
- i_d , i_q , and i_f are the stator d - q and field excitation currents, respectively.
- The PWM Generator converts the reference stator voltages into gate pulses to be passed to a Power Converter that is powering the stator windings of the synchronous machine.
- The Excitation PWM Generator converts the reference field voltage into gate pulses to be passed to a DC-DC Chopper powering the SM field winding.

This diagram shows the overall architecture of the block.



In the diagram:

- ω and ω_{ref} are the measured and reference angular velocities, respectively.
- T_{ref} is the reference electromagnetic torque. If you configure the block for speed control, a Velocity Controller generates this reference torque.
- i and v are stator currents and voltages. Subscripts d , q , and f represent the d -axis, q -axis, and field winding. Subscripts a , b , and c represent the three stator windings.
- θ_e is the rotor electrical angle.
- G is a gate pulse, subscripts H and L represent high and low, and subscripts a , b , and c represent the three stator windings. Subscript ex represents the field excitation pulses.

You can choose to implement either velocity or torque control with the `Control mode` parameter. The block implements velocity control exactly as shown in the diagram. The block implements torque control by removing the Velocity Controller block and accepting the reference torque directly.

Assumptions

The machine parameters are known.

Limitations

The control structure is implemented with a single sample rate.

Ports

Input

Reference — System reference

scalar

System reference specified as torque reference in N*m or velocity reference in rad/s, depending on the control mode selected.

Data Types: `single` | `double`

iabcSens — Measured phase currents

vector

Measured stator phase currents, in A.

Data Types: `single` | `double`

ifSens — Measured field current

scalar

Measured rotor field current, in A.

Data Types: `single` | `double`

wSens — Rotor speed

scalar

Measured mechanical angular velocity of rotor, in rad/s.

Data Types: `single` | `double`

thSens — Rotor angle

scalar

Measured mechanical angle of rotor, in rad.

Data Types: `single` | `double`

vdcSens — DC-link voltage

scalar

Measured DC-link voltage, in V.

Data Types: `single` | `double`

Output

G — Stator converter gate pulses

vector

Six pulse waveforms that determine switching behavior in the attached power converter.

Data Types: `single` | `double`

Gr — Excitation chopper gate pulses

vector

Waveforms that determine switching behavior in the attached excitation chopper. The size of the waveform depends on the selected chopper type. To specify the chopper type, use the **Chopper type** parameter:

- First and fourth quadrant chopper — The output waveform has two pulses.
- Four-quadrant chopper — The output waveform has four pulses.

Data Types: `single` | `double`

Visualization — Visualization signals

bus

Bus containing signals for visualization, including:

- Reference
- `wElectrical`
- `iabc`
- `theta`
- `Vdc`
- `PwmEnable`
- `TqRef`
- `TqLim`
- `idqRef`
- `idqf`
- `vdqRef`
- `modWave`
- `DCexcit`

Data Types: `single` | `double`

Parameters

General

Control mode — Control mode strategy

Velocity control (default) | Torque control

Specify either a torque control or velocity control strategy.

Nominal dc-link voltage (V) — Rated DC voltage

300 V (default) | positive number

Nominal DC-link voltage of the electrical source.

Maximum power (W) — Maximum power

60000 W (default) | positive number

Maximum machine power.

Maximum torque (N*m) — Maximum torque

250 N*m (default) | positive number

Maximum machine torque.

Maximum field current (A) — Maximum field current

25 A (default) | positive number

Maximum current in the field winding.

Inverter dc-link voltage threshold (V) — DC-link voltage threshold

100 V (default) | positive number

Voltage threshold to activate the power inverter.

Number of rotor pole pairs — Pole pairs

4 (default) | positive integer

Number of pole pairs on the rotor.

Fundamental sample time (s) — Block sample time

5e-6 (default) | positive number

Fundamental sample time for the block.

Outer Loop**Control Type — Control type strategy**

PI control (default) | P control | P-PI control

Specify the type of the control strategy.

Controller proportional gain — Proportional gain of PI controller

1 (default) | positive number

Proportional gain of the PI controller.

Controller integral gain — Integral gain of PI controller

1 (default) | positive number

Integral gain of the PI controller.

P controller proportional gain — Proportional gain of P controller

1 (default) | positive number

Proportional gain of P controller.

Integral anti-windup gain — Anti-windup gain

1 (default) | positive number

Anti-windup gain of the PI controller.

Current references — Current reference strategy

Zero d-axis control (default) | Lookup-table based

Select the current reference strategy.

Mechanical speed vector, $w_{\text{Mechanical}}$ (rpm) — Rotor speed lookup vector

[0, 3000] rpm (default) | positive monotonically increasing vector

Speed vector used in the lookup tables for determining current references.

Torque reference vector, $T_q\text{Ref}$ (N*m) — Torque reference lookup vector

[-100, 0, 100] N*m (default) | positive monotonically increasing vector

Torque vector used in the lookup tables for determining current references.

DC-link voltage vector, V_{dc} (V) — DC-link voltage lookup vector

[300, 350] V (default) | positive monotonically increasing vector

DC-link voltage vector used in the lookup tables for determining current references.

D-axis current reference matrix, $id(w_{\text{Mechanical}}, T_q\text{Ref}, V_{dc})$ (A) — Reference d-axis current values

zeros(2,3,2) A (default) | real matrix

Direct-axis current reference lookup data.

Q-axis current reference matrix, $iq(w_{\text{Mechanical}}, T_q\text{Ref}, V_{dc})$ (A) — Reference q-axis current values

zeros(2,3,2) A (default) | real matrix

Quadrature-axis current reference lookup data.

Field current reference matrix, $if(w_{\text{Mechanical}}, T_q\text{Ref}, V_{dc})$, (A) — Reference field current values

zeros(2,3,2) A (default) | real matrix

Field current reference lookup data.

Torque constant — Motor torque constant

0.04 N*m/A (default) | positive scalar

Synchronous machine torque constant. This value is numerically equivalent to the back EMF constant expressed in V/(rad/s).

Inner Loop**D-axis current proportional gain — D-axis proportional gain**

1 (default) | positive number

Proportional gain of the PI controller used for direct-axis current control.

D-axis current integral gain — D-axis integral gain

100 (default) | positive number

Integrator gain of the PI controller used for direct-axis current control.

D-axis current anti-windup gain — D-axis anti-windup gain

1 (default) | positive number

Anti-windup gain of the PI controller used for direct-axis current control.

Q-axis current proportional gain — Q-axis proportional gain

1 (default) | positive number

Proportional gain of the PI controller used for quadrature-axis current control.

Q-axis current integral gain — Q-axis integral gain

100 (default) | positive number

Integrator gain of the PI controller used for quadrature-axis current control.

Q-axis current anti-windup gain — Q-axis anti-windup gain

1 (default) | positive number

Anti-windup gain of the PI controller used for quadrature-axis current control.

Field current proportional gain — Field winding proportional gain

10 (default) | positive number

Proportional gain of the PI controller used for field current control.

Field current integral gain — Field winding integral gain

1000 (default) | positive number

Integral gain of the PI controller used for field current control.

Field current anti-windup gain — Field winding anti-windup gain

1 (default) | positive number

Anti-windup gain of the PI controller used for field current control.

Axis prioritization — Axis prioritization for voltage limiter

q-axis (default) | d-axis | d-q equivalence

Prioritize or maintain ratio between d - and q -axis when the block limits voltage.**Enable zero cancellation — Feedforward zero cancellation**

off (default) | on

Enable or disable zero cancellation on the feedforward path.

Enable pre-control voltage — pre-control voltage

on (default) | off

Enable or disable pre-control voltage.

Machine parameters — Machine parameterization

Constant parameters (default) | Lookup table based parameters

Specify how to parameterize the machine.

- Constant parameters — Specify machine parameters that are constant throughout the simulation.
- Lookup table based parameters — Specify machine parameters as lookup tables that depend on current.

DependenciesEnabled when the **Enable pre-control voltage** parameter is selected.**D-axis inductance (H) — Feedforward d-axis inductance**

0.00024 (default) | positive scalar

Direct-axis inductance for feedforward pre-control.

DependenciesEnabled when the **Machine parameters** parameter is set to Constant parameters.**Q-axis inductance (H) — Feedforward q-axis inductance**

0.00029 (default) | positive scalar

Quadrature-axis inductance for feedforward pre-control.

DependenciesEnabled when the **Machine parameters** parameter is set to Constant parameters.**Mutual field armature inductance (H) — Mutual inductance between field and armature**

0.007 (default)

Mutual inductance between the field and armature windings.

DependenciesEnabled when the **Machine parameters** parameter is set to Constant parameters.**D-axis current vector, i_d (A) — D-axis current breakpoint vector**

[-200, 0, 200] A (default) | monotonically increasing vector

Direct-axis current vector used in the lookup tables for parameters determination.

DependenciesEnabled when the **Machine parameters** parameter is set to Lookup table based parameters.**Q-axis current vector, i_q (A) — Q-axis current breakpoint vector**

[-200, 0, 200] A (default) | monotonically increasing vector

Quadrature-axis current vector used in the lookup tables for parameters determination.

Dependencies

Enabled when the **Machine parameters** parameter is set to Lookup table based parameters.

Field current vector, if (A) — Field winding current vector

[0,20] A (default) | monotonically increasing vector

Field current vector used in the lookup tables for parameters determination.

Dependencies

Enabled when the **Machine parameters** parameter is set to Lookup table based parameters.

Ld matrix, Ld(id,iq) (H) — D-axis inductance lookup data

0.0002 * ones(3, 3) H (default) | positive matrix

L_d matrix used as lookup table data.

Dependencies

Enabled when the **Machine parameters** parameter is set to Lookup table based parameters.

Lq matrix, Lq(id,iq) (H) — Q-axis inductance lookup data

0.0002 * ones(3, 3) H (default) | positive matrix

L_q matrix used as lookup table data.

Dependencies

Enabled when the **Machine parameters** parameter is set to Lookup table based parameters.

Lmf matrix, Lmf(id,iq,if), (H) — Field-armature mutual inductance lookup

0.007 * ones(2,2,2) H (default) | positive matrix

L_{mf} matrix used as lookup table data.

Dependencies

Enabled when the **Machine parameters** parameter is set to Lookup table based parameters.

PWM**PWM method — Pulse width modulation method**

SVM: space vector modulation (default) | SPWM: sinusoidal PWM

Specify the waveform technique.

Sampling mode — Wave-sampling method

Natural (default) | Asymmetric | Symmetric

Specify whether the block samples the modulation waveform when the waves intersect or when the carrier wave is at one or both of its boundary conditions.

Switching frequency (Hz) — Switching rate

1000 Hz (default) | positive integer

Specify the rate at which you want the switches in the power converter to switch.

Chopper type — DC-DC chopper type

First and fourth quadrant chopper (default) | Four-quadrant chopper

Specify DC-DC chopper type.

Switching frequency excitation (Hz) — Excitation system switching frequency

1000 Hz (default) | positive integer

Specify PWM switching frequency for excitation system.

References

- [1] Märgner, M., and W. Hackmann. "Control challenges of an externally excited synchronous machine in an automotive traction drive application." *In Emobility-Electrical Power Train*. (2010): 1-6.
- [2] Carpiuc, S., C. Lazar, and D. Patrascu. "Optimal Torque Control of the Externally Excited Synchronous Machine." *Journal of Control Engineering and Applied Informatics*. 14, no 2 (2012): 80-88.

Extended Capabilities**C/C++ Code Generation**

Generate C and C++ code using Simulink® Coder™.

See Also

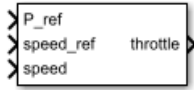
SM Current Controller | SM Current Reference Generator

Introduced in R2018a

SM Governor with Droop

Synchronous machine governor with droop

Library: Simscape / Electrical / Control / SM Control



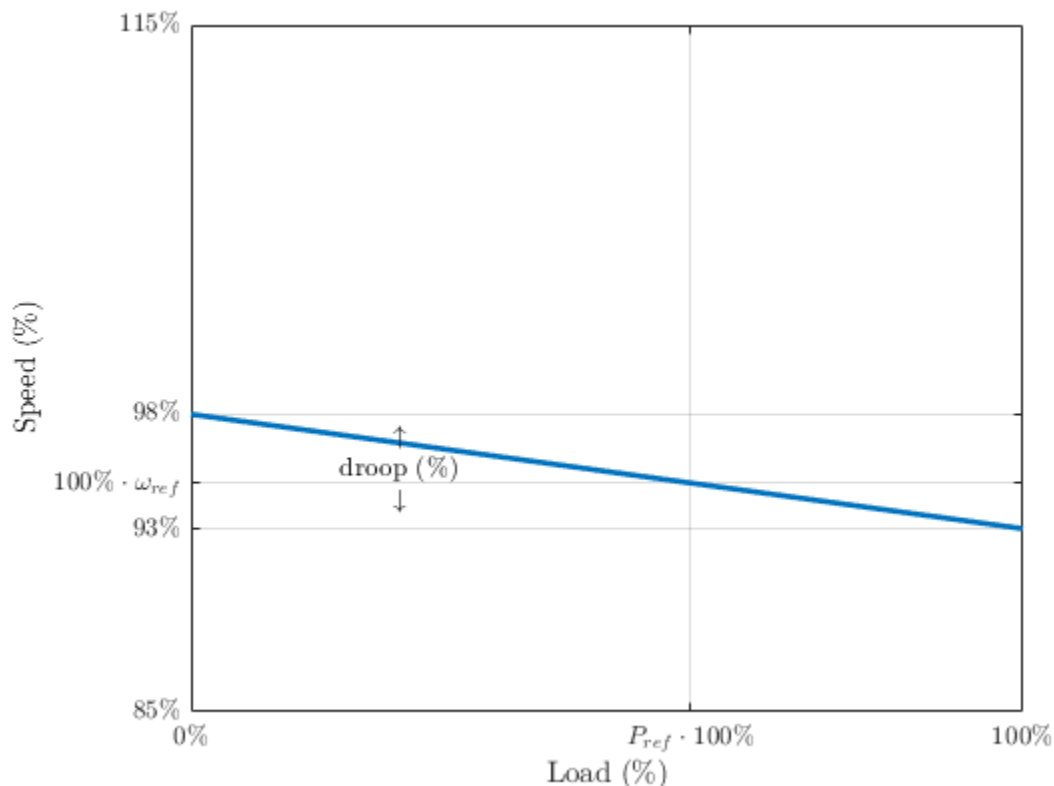
Description

The SM Governor with Droop block implements a synchronous machine (SM) governor with a droop characteristic. Use this block to regulate or control the throttle input to a prime mover driving a synchronous generator.

The block uses the error between the measured and desired generator speeds to set the prime mover throttle position. For example, when the prime mover is rotating too slowly, the throttle is opened to increase the energy input to the generator and increase its speed.

Operation

When multiple governor-driven generators are connected in parallel, droop characteristics ensure overall stability of the grid. Droop is defined as percent change in speed from no load to full load of the generator. This figure shows the speed-load relationship for a governor with 5% droop.



Here,

- ω_{ref} is the reference speed of the governor. Set this value as a per-unit quantity using the **speed_ref** port.
- P_{ref} is the reference load of the governor. Set this value as a per-unit quantity using the **P_ref** port.
- **droop** is the droop percentage of the governor. Set this value as a percentage using the **Percentage droop, (%)** parameter.

The block calculates the reference throttle position, expressed as a per-unit quantity, as:

$$u_{throttle,ref} = P_{ref} - \frac{100}{droop}(\omega - \omega_{ref})$$

where ω is the actual, per-unit generator speed.

The inertia of the valve introduces a delay between this reference throttle position and the actual throttle position, which is modeled as a first-order lag:

$$u_{throttle} = \left(\frac{1}{T_s s + 1} \right) u_{throttle,ref}$$

Here, T_s is the time constant. Set this value using the **Time constant of governor, (s)** parameter.

Ports

Input

P_ref — Desired per-unit generator load

scalar

Reference generator load expressed as a per-unit quantity. The steady-state output of the governor running at its reference speed is equivalent to this value.

Data Types: `single` | `double`

speed_ref — Desired per-unit generator speed

scalar

Reference generator speed expressed as a per-unit quantity.

Data Types: `single` | `double`

speed — Actual per-unit generator speed

scalar

Measured generator speed expressed as a per-unit quantity.

Data Types: `single` | `double`

Output

throttle — Throttle position

scalar

Throttle position of the governor, expressed as a per-unit quantity.

Data Types: single | double

Parameters

Percentage droop, (%) — Droop

5 % (default)

Percent change in governor speed from 0% to 100% load. If multiple governor-driven generators are connected in parallel, those with lower droop percentages are more sensitive to load changes.

Time constant of governor, (s) — First-order lag time constant

0.2 (default)

Time constant of the governor first-order lag representing the throttle inertia dynamics.

Initial throttle position, (pu) — Initial throttle output

0.5 (default)

Initial state of the throttle.

Extended Capabilities

C/C++ Code Generation

Generate C and C++ code using Simulink® Coder™.

See Also

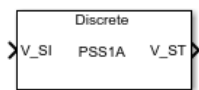
Synchronous Machine Round Rotor (fundamental)

Introduced in R2018a

SM PSS1A

Discrete-time or continuous-time single input PSS1A power system stabilizer

Library: Simscape / Electrical / Control / SM Control



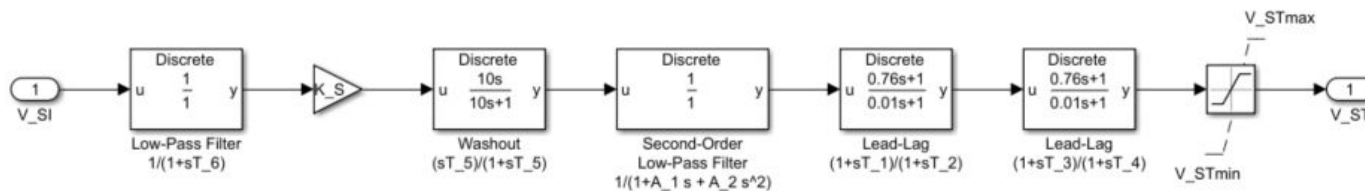
Description

The SM PSS1A block implements a single-input PSS1A power system stabilizer (PSS) that maintains rotor angle stability in a synchronous machine (SM) in conformance with IEEE 421.5-2016^[1].

Typically, you use a PSS to enhance the damping of power system oscillations through excitation control.

You can switch between continuous and discrete implementations of the block by using the **Sample time (-1 for inherited)** parameter. To configure the integrator for continuous time, set the **Sample time (-1 for inherited)** property to 0. To configure the integrator for discrete time, set the **Sample time (-1 for inherited)** property to a positive, nonzero value, or to -1 to inherit the sample time from an upstream block.

This diagram illustrates the overall structure of the PSS1A power system stabilizer:



In the diagram:

- V_{SI} is the power system stabilizer input. Commonly used inputs are speed, frequency, or power. For more information, see “ V_{SI} ” on page 1-0 .
- The Low-Pass Filter (Discrete or Continuous) block can be used to model a transducer, with a time constant T_6 .
- K_s models the stabilizer gain.
- The Washout (Discrete or Continuous) block models a high-pass filter. Here, T_5 is the time constant.
- The Second-Order Low-Pass Filter (Discrete or Continuous) block takes into account the low-frequency effects of the high-frequency torsional filters. Here, A_1 and A_2 are the stabilizer denominator constants for the second-order block.
- The two Lead-Lag (Discrete or Continuous) blocks models additional dynamics associated with the power system stabilizer, and represent two stages of the lead-lag compensation.

Ports

Input

V_SI — Speed, frequency, or power

scalar

Per-unit speed, frequency of the terminal bus voltage, compensated frequency, or electrical power, specified as a scalar.

Data Types: single | double

Output

V_ST — Stabilization speed, frequency, or power

scalar

Automatic voltage regulator input stabilization signal, as limited by V_{ST_min} and V_{ST_max} , returned as a scalar.

Data Types: single | double

Parameters

Power system stabilizer (PSS) gain, K_S (pu) — Power system stabilizer gain

3.15 (default) | scalar

Power system stabilizer forward path gain.

PSS denominator constant for second-order block, A_1 — Filter constant 1

0 (default) | scalar

Power system stabilizer signal conditioning filter coefficient 1.

PSS denominator constant for second-order block, A_2 — Filter constant 2

0 (default) | scalar

Power system stabilizer signal conditioning filter coefficient 2.

PSS numerator (lead) compensating time constant, T_1 (s) — Lead time constant 1

0.76 (default) | scalar

Lead time constant 1, associated with the first Lead-Lag block in the diagram.

PSS denominator (lag) compensating time constant, T_2 (s) — Lag time constant 2

0.01 (default) | scalar

Lag time constant 2, associated with the first Lead-Lag block in the diagram.

PSS numerator (lead) compensating time constant, T_3 (s) — Lead time constant 3

0.76 (default) | scalar

Lead time constant 3, associated with the second Lead-Lag block in the diagram.

PSS denominator (lag) compensating time constant, T_4 (s) — Lag time constant 4

0.01 (default) | scalar

Lag time constant 4, associated with the second Lead-Lag block in the diagram.

PSS washout time constant, T_5 (s) – Washout time constant

10 (default) | scalar

Washout time constant, associated with the Washout block in the diagram.

PSS transducer time constant, T_6 (s) – Transducer time constant

0 (default) | scalar

Transducer time constant, associated with the Low-Pass Filter block in the diagram.

Maximum PSS output, V_STmax (pu) – Maximum stabilization

0.09 (default) | scalar

Maximum power system stabilizer output to the automatic voltage regulator (AVR).

Minimum PSS output, V_STmin (pu) – Minimum stabilization

-0.09 (default) | scalar

Minimum power system stabilizer output to the automatic voltage regulator (AVR).

Sample time (-1 for inherited) – Block sample time

-1 (default) | 0 | positive scalar

Time between consecutive block executions. During execution, the block produces outputs and, if appropriate, updates its internal state. For more information, see “What Is Sample Time?” and “Specify Sample Time”.

For inherited discrete-time operation, set the sample time to -1. For discrete-time operation, set the sample time to a positive scalar. For continuous-time operation, set the sample time to 0.

References

- [1] *IEEE Recommended Practice for Excitation System Models for Power System Stability Studies*. IEEE Std 421.5-2016. Piscataway, NJ: IEEE-SA, 2016.
- [2] Kundur, P. *Power System Stability and Control*. New York, NY: McGraw Hill, 1993.

Extended Capabilities

C/C++ Code Generation

Generate C and C++ code using Simulink® Coder™.

See Also

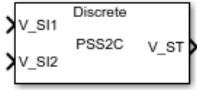
SM PSS2C | SM PSS7C | Synchronous Machine Model 1.0 | Synchronous Machine Field Circuit | Synchronous Machine Measurement | Synchronous Machine Model 2.1 | Synchronous Machine Round Rotor | Synchronous Machine Salient Pole

Introduced in R2018b

SM PSS2C

Discrete-time or continuous-time single input PSS2C power system stabilizer

Library: Simscape / Electrical / Control / SM Control



Description

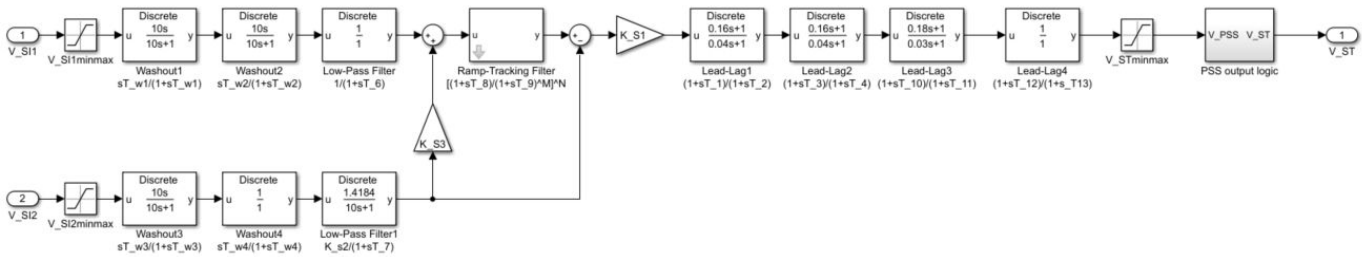
The SM PSS2C block implements a double-input PSS2C power system stabilizer (PSS) that maintains rotor angle stability in a synchronous machine (SM) in conformance with IEEE 421.5-2016^[1]. Typically, you use a PSS to enhance the damping of power system oscillations through excitation control.

You can represent two different types of dual-input power system stabilizers with this same model:

- A stabilizer that uses electrical power and speed (or frequency) signals to calculate the integral of the accelerating power. This makes the calculated stabilizer signal insensitive to mechanical changes.
- A stabilizer that uses a combination of electrical power and either speed or frequency. To achieve the desired stabilizing signal shaping, the system uses the speed directly, without phase-lead compensation, and adds a signal that is proportional to the electrical power.

You can switch between continuous and discrete implementations of the block by using the **Sample time (-1 for inherited)** parameter. To configure the integrator for continuous time, set the **Sample time (-1 for inherited)** property to 0. To configure the integrator for discrete time, set the **Sample time (-1 for inherited)** property to a positive, nonzero value, or to -1 to inherit the sample time from an upstream block.

This diagram illustrates the overall structure of the PSS2C power system stabilizer:



In the diagram:

- V_{SI1} and V_{SI2} are the two power system stabilizer inputs. Commonly used inputs are speed, frequency, or power.
- Two Washout (Discrete or Continuous) blocks are represented for each stabilizer input, with time constants T_{W1} to T_{W4} , along with a transducer, represented by a Low-Pass Filter (Discrete or Continuous), with time constants T_6 and T_7 .
- To allow a ramp-tracking filter characteristic, the Ramp Tracking Filter subsystem models a network of lead-lag and low-pass filter blocks in series.

- To provide phase compensation, a Lead-Lag (Discrete or Continuous) network models additional dynamics associated with the power system stabilizer, representing four stages of lead-lag compensation, with time constants T_1 to T_4 and T_{10} to T_{13} .
- The PSS output logic subsystem allows the representation of the PSS output logic associated with the generator active power output. P_{PSSon} and P_{PSSoff} are the threshold values used to define a hysteresis.

Ports

Input

V_SI1 — Speed, frequency, or power

scalar

Per-unit speed, frequency of the terminal bus voltage, compensated frequency, or electrical power, specified as a scalar.

Data Types: single | double

V_SI2 — Electrical power

scalar

Per-unit electrical power, specified as a scalar.

Data Types: single | double

Output

V_ST — Stabilization speed, frequency, or power

scalar

Automatic voltage regulator input stabilization signal, as limited by $V_{ST_{min}}$ and $V_{ST_{max}}$, returned as a scalar.

Data Types: single | double

Parameters

PSS gain, K_S1 (pu) — Power system stabilizer forward path gain

5 (default) | scalar

Power system stabilizer forward path gain.

PSS gain, K_S2 (pu) — Power system stabilizer transducer gain

1.4184 (default) | scalar

Power system stabilizer transducer gain.

PSS gain, K_S3 (pu) — Power system stabilizer gain

1 (default) | scalar

Power system stabilizer gain.

PSS transducer time constant, T_6 (s) — Transducer time constant 6

0 (default) | scalar

Transducer time constant 6.

PSS transducer time constant, T_7 (s) – Transducer time constant 7

10 (default) | scalar

Transducer time constant 7.

PSS washout time constant, T_{w1} (s) – Washout time constant 1

10 (default) | scalar

Washout time constant 1.

PSS washout time constant, T_{w2} (s) – Washout time constant 2

10 (default) | scalar

Washout time constant 2.

PSS washout time constant, T_{w3} (s) – Washout time constant 3

10 (default) | scalar

Washout time constant 3.

PSS washout time constant, T_{w4} (s) – Washout time constant 4

0 (default) | scalar

Washout time constant 4.

PSS transducer time constant, T_8 (s) – Transducer time constant 8

0.5 (default) | scalar

Transducer time constant 8.

PSS washout time constant, T_9 (s) – Washout time constant 9

0.1 (default) | scalar

Washout time constant 9.

Denominator exponent for ramp-track filter, M – Exponent of the denominator of the ramp-track filter

5 (default) | scalar

Denominator exponent for ramp-track filter.

Overall exponent for ramp-track filter, N – Overall exponent of ramp-track filter

1 (default) | scalar

Overall exponent for ramp-track filter.

PSS numerator (lead) compensating time constant (first block), T_1 (s) – Lead time constant 1

0.16 (default) | scalar

Lead time constant 1, associated with the block labeled Lead-Lag1 in the diagram.

PSS denominator (lag) compensating time constant (first block), T_2 (s) – Lag time constant 2

0.04 (default) | scalar

Lag time constant 2, associated with the block labeled Lead-Lag1 in the diagram.

PSS numerator (lead) compensating time constant (second block), T_3 (s) – Lead time constant 3

0.16 (default) | scalar

Lead time constant 3, associated with the block labeled Lead-Lag2 in the diagram.

PSS denominator (lag) compensating time constant (second block), T_4 (s) – Lag time constant 4

0.04 (default) | scalar

Lag time constant 4, associated with the block labeled Lead-Lag2 in the diagram.

PSS denominator (lead) compensating time constant (third block), T_{10} (s) – Lag time constant 10

0.18 (default) | scalar

Lag time constant 10, associated with the block labeled Lead-Lag3 in the diagram.

PSS denominator (lag) compensating time constant (third block), T_{11} (s) – Lag time constant 11

0.03 (default) | scalar

Lag time constant 11, associated with the block labeled Lead-Lag3 in the diagram.

PSS denominator (lead) compensating time constant (fourth block), T_{12} (s) – Lag time constant 12

0 (default) | scalar

Lag time constant 12, associated with the block labeled Lead-Lag4 in the diagram.

PSS denominator (lag) compensating time constant (fourth block), T_{13} (s) – Lag time constant 13

0 (default) | scalar

Lag time constant 13, associated with the block labeled Lead-Lag4 in the diagram.

Maximum PSS output, V_{STmax} (pu) – Maximum stabilization

0.1 (default) | scalar

Maximum power system stabilizer output to the automatic voltage regulator.

Minimum PSS output, V_{STmin} (pu) – Minimum stabilization

-0.1 (default) | scalar

Minimum power system stabilizer output to the automatic voltage regulator.

Input signal #1 maximum limit, V_{S1max} (pu) – Maximum limit for first input

2 (default) | scalar

Maximum signal value for the first stabilizer input.

Input signal #1 minimum limit, V_S1min (pu) — Minimum limit for first input
-2 (default) | scalar

Minimum signal value for the first stabilizer input.

Input signal #2 maximum limit, V_S2max (pu) — Maximum limit for second input
2 (default) | scalar

Maximum signal value for the second stabilizer input.

Input signal #2 minimum limit, V_S2min (pu) — Minimum limit for second input
-2 (default) | scalar

Minimum signal value for the second stabilizer input.

Generator MW threshold for PSS activation, P_PSSon (pu) — Generator threshold for power system stabilizer activation
0 (default) | scalar

Generator threshold for power system stabilizer activation.

Generator MW threshold for PSS de-activation, P_PSSoff (pu) — Generator threshold for power system stabilizer deactivation
0 (default) | scalar

Generator threshold for power system stabilizer deactivation.

Sample time (-1 for inherited) — Block sample time
-1 (default) | 0 | positive scalar

Time between consecutive block executions. During execution, the block produces outputs and, if appropriate, updates its internal state. For more information, see “What Is Sample Time?” and “Specify Sample Time”.

For inherited discrete-time operation, set the sample time to -1. For discrete-time operation, set the sample time to a positive scalar. For continuous-time operation, set the sample time to 0.

References

- [1] *IEEE Recommended Practice for Excitation System Models for Power System Stability Studies*. IEEE Std 421.5-2016. Piscataway, NJ: IEEE-SA, 2016.

Extended Capabilities

C/C++ Code Generation

Generate C and C++ code using Simulink® Coder™.

See Also

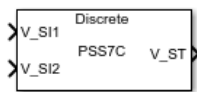
SM PSS1A | SM PSS7C

Introduced in R2020a

SM PSS7C

Discrete-time or continuous-time single input PSS7C power system stabilizer

Library: Simscape / Electrical / Control / SM Control



Description

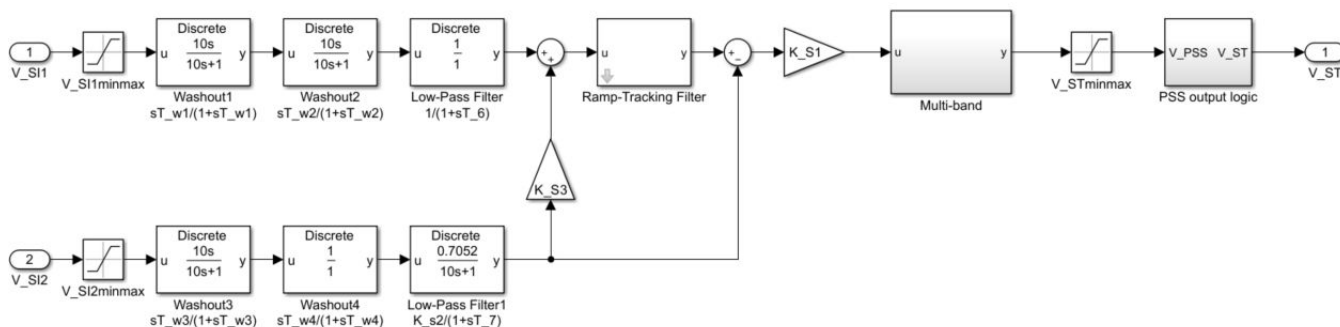
The SM PSS7C block implements a double-input PSS7C power system stabilizer (PSS) that maintains rotor angle stability in a synchronous machine (SM) in conformance with IEEE 421.5-2016^[1]. Typically, you use a PSS to enhance the damping of power system oscillations through excitation control.

You can represent two different types of dual-input power system stabilizers with this same model:

- A stabilizer that uses electrical power and speed (or frequency) signals to calculate the integral of the accelerating power. This makes the calculated stabilizer signal insensitive to mechanical changes.
- A stabilizer that uses a combination of electrical power and either speed or frequency. To achieve the desired stabilizing signal shaping, the system uses the speed directly, without phase-lead compensation, and adds a signal that is proportional to the electrical power.

You can switch between continuous and discrete implementations of the block by using the **Sample time (-1 for inherited)** parameter. To configure the integrator for continuous time, set the **Sample time (-1 for inherited)** property to 0. To configure the integrator for discrete time, set the **Sample time (-1 for inherited)** property to a positive, nonzero value, or to -1 to inherit the sample time from an upstream block.

This diagram illustrates the overall structure of the PSS7C power system stabilizer:



In the diagram:

- V_{SI1} and V_{SI2} are the two power system stabilizer inputs. Commonly used inputs are speed, frequency, or power.
- Two Washout (Discrete or Continuous) blocks are represented for each stabilizer input, with time constants T_{W1} to T_{W4} , along with a transducer, represented by a Low-Pass Filter (Discrete or Continuous), with time constants T_6 and T_7 .

- To allow a ramp-tracking filter characteristic, the Ramp Tracking Filter subsystem models a network of lead-lag and low-pass filter blocks in series.
- To provide phase compensation, the Multi-band subsystem implements a canonical state equation, with time constants T_{i1} to T_{i4} and gains K_0 to K_4 .
- The PSS output logic subsystem allows the representation of the PSS output logic associated with the generator active power output. P_{PSSon} and P_{PSSoff} are the threshold values used to define a hysteresis.

Ports

Input

V_SI1 — Speed, frequency, or power

scalar

Per-unit speed, frequency of the terminal bus voltage, compensated frequency, or electrical power, specified as a scalar.

Data Types: single | double

V_SI2 — Electrical power

scalar

Per-unit electrical power, specified as a scalar.

Data Types: single | double

Output

V_ST — Stabilization speed, frequency, or power

scalar

Automatic voltage regulator input stabilization signal, as limited by V_{ST_min} and V_{ST_max} , returned as a scalar.

Data Types: single | double

Parameters

Power system stabilizer main gain, K_S1 (pu) — Power system stabilizer forward path gain

50 (default) | scalar

Power system stabilizer forward path gain.

Power system stabilizer gain, K_S2 (pu) — Power system stabilizer transducer gain

0.7052 (default) | scalar

Power system stabilizer transducer gain.

Power system stabilizer gain, K_S3 (pu) — Power system stabilizer gain

1 (default) | scalar

Power system stabilizer gain.

PSS transducer time constant, T_6 (s) – Transducer time constant 6

0 (default) | scalar

Transducer time constant 6, associated with the block labeled Low-Pass Filter in the diagram.

PSS transducer time constant, T_7 (s) – Transducer time constant 7

10 (default) | scalar

Transducer time constant 7, associated with the block labeled Low-Pass Filter1 in the diagram.

PSS washout time constant, T_{w1} (s) – Washout time constant 1

10 (default) | scalar

Washout time constant 1, associated with the block labeled Washout1 in the diagram.

PSS washout time constant, T_{w2} (s) – Washout time constant 2

10 (default) | scalar

Washout time constant 2, associated with the block labeled Washout2 in the diagram.

PSS washout time constant, T_{w3} (s) – Washout time constant 3

10 (default) | scalar

Washout time constant 3, associated with the block labeled Washout3 in the diagram.

PSS washout time constant, T_{w4} (s) – Washout time constant 4

0 (default) | scalar

Washout time constant 4, associated with the block labeled Washout4 in the diagram.

PSS transducer time constant, T_8 (s) – Transducer time constant 8

0.5 (default) | scalar

Transducer time constant 8.

PSS washout time constant, T_9 (s) – Washout time constant 9

0.1 (default) | scalar

Washout time constant 9.

Denominator exponent for ramp-track filter, M – Exponent of denominator of the ramp-track filter

5 (default) | scalar

Denominator exponent for the ramp-track filter.

Overall exponent for ramp-track filter, N – Overall exponent of ramp-track filter

1 (default) | scalar

Overall exponent for the ramp-track filter.

PSS canonical gain 0, K_0 (pu) – Power system stabilizer canonical gain 0

0.399 (default) | scalar

Power system stabilizer canonical gain 0 for the Multi-band subsystem.

PSS canonical gain 1, K_1 (pu) — Power system stabilizer canonical gain 1
1.8462 (default) | scalar

Power system stabilizer canonical gain 1 for the Multi-band subsystem.

PSS canonical gain 2, K_2 (pu) — Power system stabilizer canonical gain 2
0.4231 (default) | scalar

Power system stabilizer canonical gain 2 for the Multi-band subsystem.

PSS canonical gain 3, K_3 (pu) — Power system stabilizer canonical gain 3
0.2104 (default) | scalar

Power system stabilizer canonical gain 3 for the Multi-band subsystem.

PSS canonical gain 4, K_4 (pu) — Power system stabilizer canonical gain 4
0 (default) | scalar

Power system stabilizer canonical gain 4 for the Multi-band subsystem.

PSS third block gain, K_{i3} (pu) — Power system stabilizer third block gain
1 (default) | scalar

Power system stabilizer third block gain for the Multi-band subsystem.

PSS fourth block gain, K_{i4} (pu) — Power system stabilizer fourth block gain
0 (default) | scalar

Power system stabilizer fourth block gain for the Multi-band subsystem.

PSS time constant (first block), T_{i1} (s) — Power system stabilizer time constant for the first block
0.03 (default) | scalar

Power system stabilizer time constant for the first block inside the Multi-band subsystem.

PSS time constant (second block), T_{i2} (s) — Power system stabilizer time constant for the second block
0.0293 (default) | scalar

Power system stabilizer time constant for the second block inside the Multi-band subsystem.

PSS time constant (third block), T_{i3} (s) — Power system stabilizer time constant for the third block
0.2804 (default) | scalar

Power system stabilizer time constant for the third block inside the Multi-band subsystem.

PSS time constant (fourth block), T_{i4} (s) — Power system stabilizer time constant for the fourth block
1 (default) | scalar

Power system stabilizer time constant for the fourth block inside the Multi-band subsystem.

Maximum PSS output, V_{STmax} (pu) — Maximum stabilization
0.05 (default) | scalar

Maximum power system stabilizer output to the automatic voltage regulator (AVR).

Minimum PSS output, V_STmin (pu) – Minimum stabilization

-0.05 (default) | scalar

Minimum power system stabilizer output to the automatic voltage regulator (AVR).

Input signal #1 maximum limit, V_S1max (pu) – Maximum limit for the first input

2 (default) | scalar

Maximum signal value for the first stabilizer input.

Input signal #1 minimum limit, V_S1min (pu) – Minimum limit for the first input

-2 (default) | scalar

Minimum signal value for the first stabilizer input.

Input signal #2 maximum limit, V_S2max (pu) – Maximum limit for the second input

2 (default) | scalar

Maximum signal value for the second stabilizer input.

Input signal #2 minimum limit, V_S2min (pu) – Minimum limit for the second input

-2 (default) | scalar

Minimum signal value for the second stabilizer input.

Generator MW threshold for PSS activation, P_PSSon (pu) – Generator threshold for power system stabilizer activation

0 (default) | scalar

Generator threshold for power system stabilizer activation.

Generator MW threshold for PSS de-activation, P_PSSoff (pu) – Generator threshold for power system stabilizer deactivation

0 (default) | scalar

Generator threshold for power system stabilizer deactivation.

Sample time (-1 for inherited) – Block sample time

-1 (default) | 0 | positive scalar

Time between consecutive block executions. During execution, the block produces outputs and, if appropriate, updates its internal state. For more information, see “What Is Sample Time?” and “Specify Sample Time”.

For inherited discrete-time operation, set the sample time to -1. For discrete-time operation, set the sample time to a positive scalar. For continuous-time operation, set the sample time to 0.

References

- [1] *IEEE Recommended Practice for Excitation System Models for Power System Stability Studies*. IEEE Std 421.5-2016. Piscataway, NJ: IEEE-SA, 2016.

Extended Capabilities

C/C++ Code Generation

Generate C and C++ code using Simulink® Coder™.

See Also

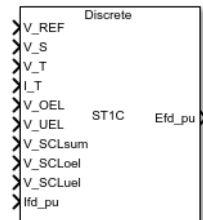
SM PSS1A | SM PSS2C

Introduced in R2020a

SM ST1C

Discrete-time or continuous-time synchronous machine ST1C static excitation system with an automatic voltage regulator

Library: Simscape / Electrical / Control / SM Control



Description

The SM ST1C block implements a synchronous-machine-type ST1C static excitation system model in conformance with IEEE 421.5-2016^[1].

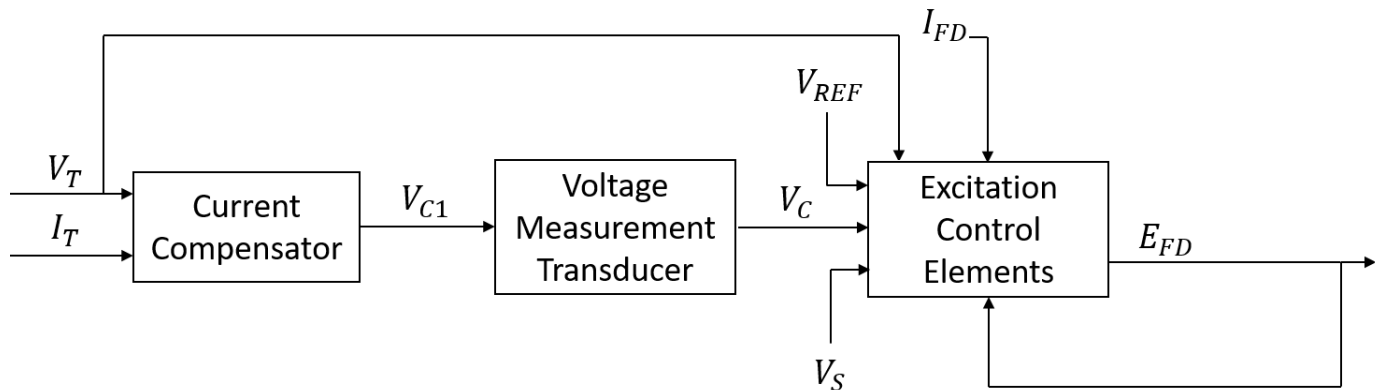
Use this block to model the control and regulation of the field voltage of a synchronous machine.

You can switch between continuous and discrete implementations of the block by using the **Sample time (-1 for inherited)** parameter. To configure the integrator for continuous time, set the **Sample time (-1 for inherited)** property to 0. To configure the integrator for discrete time, set the **Sample time (-1 for inherited)** property to a positive, nonzero value, or to -1 to inherit the sample time from an upstream block.

The SM ST1C block comprises three major components:

- The Current Compensator modifies the measured terminal voltage as a function of the terminal current.
- The Voltage Measurement Transducer simulates the dynamics of a terminal voltage transducer using a low-pass filter.
- The Excitation Control Elements component compares the voltage transducer output with a terminal voltage reference to produce a voltage error. This voltage error is then passed through a voltage regulator to produce the field voltage.

This diagram shows the overall structure of the ST1C excitation system model:



In the diagram:

- V_T and I_T are the measured terminal voltage and current of the synchronous machine.
- V_{C1} is the current-compensated terminal voltage.
- V_C is the filtered, current-compensated terminal voltage.
- V_{REF} is the reference terminal voltage.
- V_S is the power system stabilizer voltage.
- E_{FD} and I_{FD} are the field voltage and current, respectively.

The following sections describe each of the major parts of the block in detail.

Current Compensator and Voltage Measurement Transducer

The current compensator is modeled as:

$$V_{C1} = V_T + I_T \sqrt{R_C^2 + X_C^2},$$

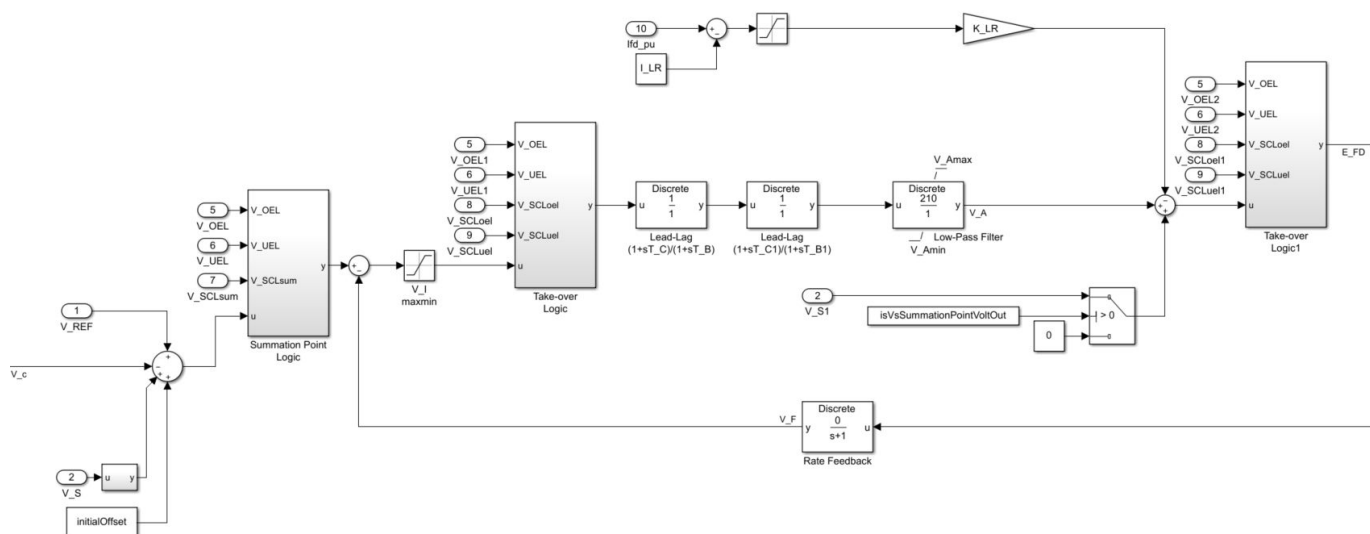
where:

- R_C is the load compensation resistance.
- X_C is the load compensation reactance.

The voltage measurement transducer is implemented as a Low-Pass Filter block with the time constant T_R . Refer to the documentation for the Low-Pass Filter block for the discrete and continuous implementations.

Excitation Control Elements

This diagram illustrates the overall structure of the excitation control elements:



In the diagram:

- The Summation Point Logic subsystem models the summation point input location for the overexcitation limiter (OEL), underexcitation limiter (UEL), stator current limiter (SCL), and the power switch selector (V_S) voltages. For more information about using limiters with this block, see “Field Current Limiters” on page 1-1609.
- There are two Take-over Logic subsystems. The subsystems model the take-over point input location for the OEL, UEL, SCL and PSS voltages. For more information about using limiters with this block, see “Field Current Limiters” on page 1-1609.
- The two Lead-Lag blocks model additional dynamics associated with the voltage regulator. The former represents a transient gain reduction, where T_C is the lead time constant and T_B is the lag time constant. The latter allows the possibility of representing a transient gain increase, where T_{C1} is the lead time constant and T_{B1} is the lag time constant. Refer to the documentation for the Lead-Lag block for the discrete and continuous implementations.
- The Low-Pass Filter block models the major dynamics of the voltage regulator. Here, K_A is the regulator gain and T_A is the major time constant of the regulator. The minimum and maximum anti-windup saturation limits for the block are V_{Amin} and V_{Amax} , respectively.
- The Filtered Derivative block models the rate feedback path for the stabilization of the excitation system. Here, K_F and T_F are the gain and time constants of this system, respectively. Refer to the documentation for the Filtered Derivative block for the discrete and continuous implementations.
- Due to very high forcing capability, the model employs a field current limiter to protect the generator rotor and exciter. The initial threshold and gain are defined by I_{LR} and K_{LR} , respectively. If you use an explicit OEL model, disable this field current limiter by setting the gain, K_{LR} , to 0.

Field Current Limiters

You can use various field current limiters to modify the output of the voltage regulator under unsafe operating conditions:

- Use an overexcitation limiter to prevent overheating of the field winding due to excessive field current demand.
- Use an underexcitation limiter to boost field excitation when it is too low, which risks desynchronization.

- Use a stator current limiter to prevent overheating of the stator windings due to excessive current.

Attach the output of any of these limiters at one of these points:

- The summation point as part of the automatic voltage regulator (AVR) feedback loop
- The take-over point to override the usual behavior of the AVR

If you are using the stator current limiter at the summation point, use the single input V_{SCLsum} . If you are using the stator current limiter at the take-over point, use both the overexcitation input, V_{SCLoel} , and the underexcitation input, V_{SCLuel} .

Ports

Input

V_REF — Voltage reference

scalar

Voltage regulator reference set point, in per-unit representation, specified as a scalar.

Data Types: `single` | `double`

V_S — Input from stabilizer

scalar

Input from the power system stabilizer, in per-unit representation, specified as a scalar.

Data Types: `single` | `double`

V_T — Terminal voltage

scalar

Terminal voltage magnitude in per-unit representation, specified as a scalar.

Data Types: `single` | `double`

I_T — Terminal current

scalar

Terminal current magnitude in per-unit representation, specified as a scalar.

Data Types: `single` | `double`

V_OEL — Overexcitation limit signal

scalar

Input from the overexcitation limiter, in per-unit representation, specified as a scalar.

Dependencies

- To ignore the input from the overexcitation limiter, set **Alternate OEL input locations (V_OEL)** to **Unused**.
- To use the input from the overexcitation limiter at the summation point, set **Alternate OEL input locations (V_OEL)** to **Summation point**.

- To use the input from the overexcitation limiter at the take-over point, set **Alternate OEL input locations (V_OEL)** to Take-over.

Data Types: single | double

V_UEL — Underexcitation limit signal

scalar

Input from the underexcitation limiter, in per-unit representation, specified as a scalar.

Dependencies

- To ignore the input from the underexcitation limiter, set **Alternate UEL input locations (V_UEL)** to Unused.
- To use the input from the underexcitation limiter at the summation point, set **Alternate UEL input locations (V_UEL)** to Summation point.
- To use the input from the underexcitation limiter at the take-over point, set **Alternate UEL input locations (V_UEL)** to Take-over.

Data Types: single | double

V_SCLsum — Summation point stator current limit signal

scalar

Input from the stator current limiter when using the summation point, in per-unit representation, specified as a scalar.

Dependencies

- To ignore the input from the stator current limiter, set **Alternate SCL input locations (V_SCL)** to Unused.
- To use the input from the stator current limiter at the summation point, set **Alternate SCL input locations** to Summation point.

Data Types: single | double

V_SCLoel — Take-over stator current limit (OEL)

scalar

Input from the stator current limiter that prevents field overexcitation when using the take-over point, in per-unit representation, specified as a scalar.

Dependencies

- To ignore the input from the stator current limiter, set **Alternate SCL input locations (V_SCL)** to Unused.
- To use the input from the stator current limiter at the take-over point, set **Alternate SCL input locations (V_SCL)** to Take-over.

Data Types: single | double

V_SCLuel — Take-over stator current limit (UEL)

scalar

Input from the stator current limiter that prevents field underexcitation when using the take-over point, in per-unit representation, specified as a scalar.

Dependencies

- To ignore the input from the stator current limiter, set **Alternate SCL input locations (V_SCL)** to Unused.
- To use the input from the stator current limiter at the take-over point, set **Alternate SCL input locations (V_SCL)** to Take-over.

Data Types: single | double

I_{fd}_pu — Measured field current

scalar

Measured per-unit field current of the synchronous machine, specified as a scalar.

Data Types: single | double

Output

E_{fd}_pu — Field voltage

scalar

Per-unit field voltage to apply to the field circuit of the synchronous machine, returned as a scalar.

Data Types: single | double

Parameters

General

Initial field voltage, E_{fd0} (pu) — Initial output voltage

1 (default) | real number

Initial per-unit voltage to apply to the field circuit of the synchronous machine.

Sample time (-1 for inherited) — Block sample time

-1 (default) | 0 | positive scalar

Time between consecutive block executions. During execution, the block produces outputs and, if appropriate, updates its internal state. For more information, see “What Is Sample Time?” and “Specify Sample Time”.

For inherited discrete-time operation, specify -1. For discrete-time operation, specify a positive integer. For continuous-time operation, specify 0.

If this block is in a masked subsystem, or other variant subsystem that allows you to switch between continuous operation and discrete operation, promote the sample time parameter. Promoting the sample time parameter ensures correct switching between the continuous and discrete implementations of the block. For more information, see “Promote Parameter to Mask”.

Pre-Control

Resistive component of load compensation, R_C (pu) — Compensation resistance

0 (default) | positive number

Resistance used in the current compensation system. Set this parameter and **Reactance component of load compensation, X_C (pu)** to 0 to disable current compensation.

Reactance component of load compensation, X_C (pu) – Compensation reactance

0 (default) | positive number

Reactance used in the current compensation system. Set this parameter and **Resistive component of load compensation, R_C (pu)** to 0 to disable current compensation.

Regulator input filter time constant, T_R (s) – Regulator time constant

0.02 (default) | positive number

Equivalent time constant for the voltage transducer filtering.

Control**Regulator output gain, K_A (pu) – Regulator gain**

210 (default) | positive number

Gain associated with the voltage regulator.

Regulator output time constant, T_A (s) – Regulator time constant

0 (default) | positive number

Major time constant of the voltage regulator.

Regulator denominator (lag) time constant, T_B (s) – Regulator lag time constant for first lead-lag block

1 (default) | positive number

Equivalent lag time constant in the voltage regulator. Set this parameter to 0 when the additional lag dynamics are negligible.

Regulator numerator (lead) time constant, T_C (s) – Regulator lead time constant for first lead-lag block

1 (default) | positive number

Equivalent lead time constant in the voltage regulator. Set this parameter to 0 when the additional lead dynamics are negligible.

Regulator denominator (lag) time constant, T_{B1} (s) – Regulator lag time constant for second lead-lag block

0 (default) | positive number

Equivalent lag time constant in the voltage regulator. Set this parameter to 0 when the additional lag dynamics are negligible.

Regulator numerator (lead) time constant, T_{C1} (s) – Regulator lead time constant for second lead-lag block

0 (default) | positive number

Equivalent lead time constant in the voltage regulator. Set this parameter to 0 when the additional lead dynamics are negligible.

Rate feedback gain, K_F (pu) – Rate feedback gain

0 (default) | positive number

Rate feedback block gain.

Rate feedback time constant, T_F (s) – Rate feedback time constant

1 (default) | positive number

Time constant for the rate feedback block.

Maximum regulator output, V_{Amax} (pu) – Upper limit of the regulator output

6.43 (default) | real number

Maximum per-unit output voltage of the regulator.

Minimum regulator output, V_{Amin} (pu) – Lower limit of the regulator output

-6 (default) | real number

Minimum per-unit output voltage of the regulator.

Maximum voltage error (regulator input), V_{Imax} (pu) – Voltage upper limit

99 (default) | real number

Maximum per-unit voltage given as input to the regulator.

Minimum voltage error (regulator input), V_{Imin} (pu) – Voltage lower limit

-99 (default) | real number

Minimum per-unit voltage given as input to the regulator.

Alternate PSS input locations (V_S) – PSS input location

Summation point at voltage error (default) | Summation point at voltage regulator output

Power system stabilizer input location.

Alternate OEL input locations (V_{OEL}) – OEL input location

Unused (default) | Summation point at voltage error | Take-over at voltage error | Take-over at voltage regulator output

Overexcitation limiter input location:

- If you select Summation point at voltage error, V_{OEL} is an input of the Summation Point Logic subsystem.
- If you select Take-over at voltage error, V_{OEL} is an input of the Take-over Logic subsystem.
- If you select Take-over at voltage regulator output, V_{OEL} is an input of the Take-over Logic 1 subsystem.

Alternate UEL input locations (V_{UEL}) – UEL input location

Unused (default) | Summation point at voltage error | Take-over at voltage error | Take-over at voltage regulator output

Underexcitation limiter input location:

- If you select Summation point at voltage error, V_{UEL} is an input of the Summation Point Logic subsystem.
- If you select Take-over at voltage error, V_{UEL} is an input of the Take-over Logic subsystem.

- If you select Take-over at voltage regulator output, **V_UEL** is an input of the Take-over Logic 1 subsystem.

Alternate SCL input locations (V_SCL) – SCL input location

Unused (default) | Summation point at voltage error | Take-over at voltage error | Take-over at voltage regulator output

Stator current limiter input location:

- If you select Summation point, use the **V_SCLsum** input port.
- If you select any of the Take-over options, use the **V_SCLoel** and **V_SCLuel** input ports.

Exciter

Rectifier loading factor proportional to commutating reactance, K_C (pu) – Rectifier loading factor

0.038 (default) | positive number

Rectifier loading factor proportional to the commutating reactance.

Exciter output current limiter gain, K_LR (pu) – Exciter output current limiter gain

4.54 (default) | real number

Maximum per-unit exciter current limiter gain.

Exciter output current limit reference, I_LR (pu) – Exciter output current limit reference

4.4 (default) | real number

Per-unit exciter current limit reference.

Maximum exciter output, V_Rmax (pu) – Exciter upper limit

6.43 (default) | real number

Maximum per-unit exciter voltage output.

Minimum exciter output, V_Rmin (pu) – Exciter lower limit

-6 (default) | real number

Minimum per-unit exciter voltage output.

References

- [1] *IEEE Recommended Practice for Excitation System Models for Power System Stability Studies*. IEEE Std 421.5-2016. Piscataway, NJ: IEEE-SA, 2016.

Extended Capabilities

C/C++ Code Generation

Generate C and C++ code using Simulink® Coder™.

See Also

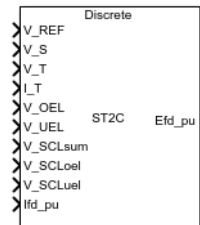
SM ST2C | SM ST3C | SM ST4C

Introduced in R2020a

SM ST2C

Discrete-time or continuous-time synchronous machine ST2C static excitation system with an automatic voltage regulator

Library: Simscape / Electrical / Control / SM Control



Description

The SM ST2C block implements a synchronous-machine-type ST2C static excitation system model in conformance with IEEE 421.5-2016^[1].

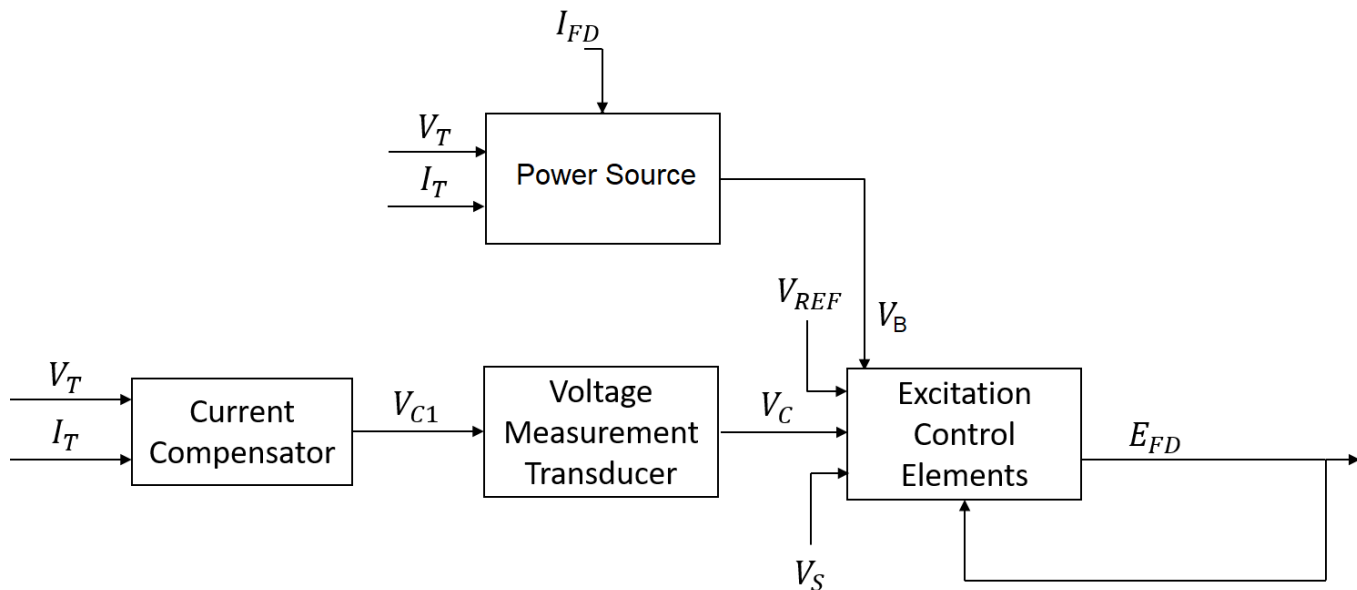
Use this block to model the control and regulation of the field voltage of a synchronous machine.

You can switch between continuous and discrete implementations of the block by using the **Sample time (-1 for inherited)** parameter. To configure the integrator for continuous time, set the **Sample time (-1 for inherited)** property to 0. To configure the integrator for discrete time, set the **Sample time (-1 for inherited)** property to a positive, nonzero value, or to -1 to inherit the sample time from an upstream block.

The SM ST2C block comprises four major components:

- The Current Compensator modifies the measured terminal voltage as a function of the terminal current.
- The Voltage Measurement Transducer simulates the dynamics of a terminal voltage transducer using a low-pass filter.
- The Excitation Control Elements component compares the voltage transducer output with a terminal voltage reference to produce a voltage error. This voltage error is then passed through a voltage regulator to produce the field voltage.
- The Power Source models the power source for the controlled rectifier when it is independent from the terminal voltage.

This diagram shows the overall structure of the ST2C excitation system model:



In the diagram:

- V_T and I_T are the measured terminal voltage and current of the synchronous machine.
- V_{C1} is the current-compensated terminal voltage.
- V_C is the filtered, current-compensated terminal voltage.
- V_{REF} is the reference terminal voltage.
- V_S is the power system stabilizer voltage.
- V_B is the exciter field voltage.
- E_{FD} and I_{FD} are the field voltage and current, respectively.

The following sections describe each of the major parts of the block in detail.

Current Compensator and Voltage Measurement Transducer

The current compensator is modeled as:

$$V_{C1} = V_T + I_T \sqrt{R_C^2 + X_C^2},$$

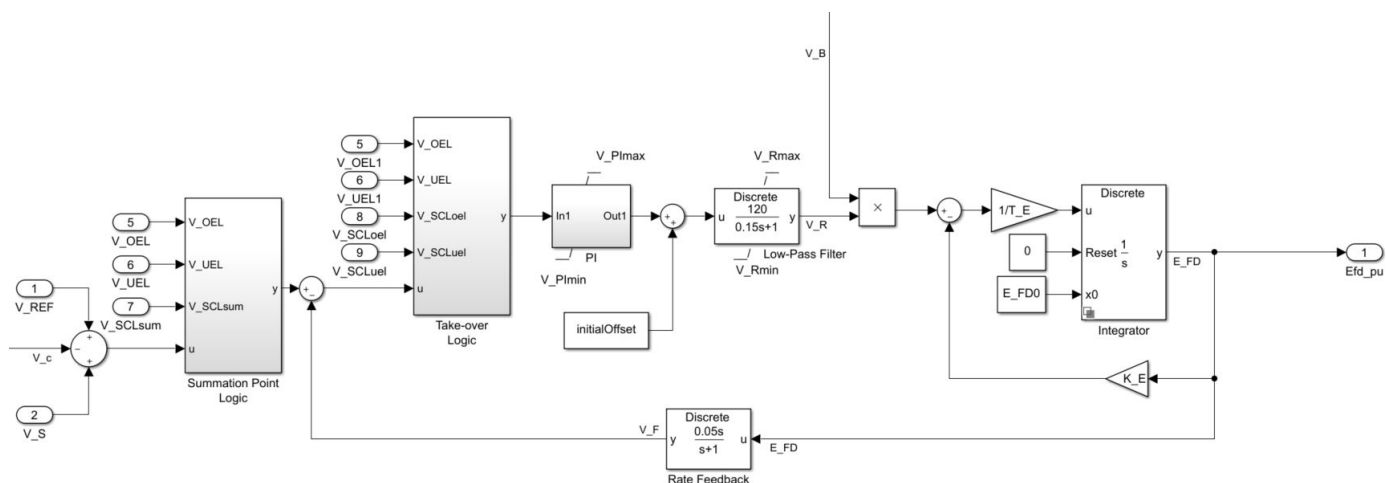
where:

- R_C is the load compensation resistance.
- X_C is the load compensation reactance.

The voltage measurement transducer is implemented as a Low-Pass Filter block with the time constant T_R . Refer to the documentation for the Low-Pass Filter block for the discrete and continuous implementations.

Excitation Control Elements

This diagram illustrates the overall structure of the excitation control elements:



In the diagram:

- The Summation Point Logic subsystem models the summation point input location for the overexcitation limiter (OEL), underexcitation limiter (UEL), stator current limiter (SCL), and the power switch selector (V_S) voltages. For more information about using limiters with this block, see “Field Current Limiters” on page 1-1619.
- The Take-over Logic subsystem models the take-over point input location for the OEL, UEL, and SCL voltages. For more information about using limiters with this block, see “Field Current Limiters” on page 1-1619.
- The PI subsystem models a PI controller that functions as a control structure for the automatic voltage regulator and allows the representation of an equipment retrofit with a modern digital controller. The minimum and maximum anti-windup saturation limits for the block are V_{PImin} and V_{PImax} , respectively.
- The Low-Pass Filter block models the major dynamics of the voltage regulator. Here, K_A is the regulator gain and T_A is the major time constant of the regulator. The minimum and maximum anti-windup saturation limits for the block are V_{Rmin} and V_{Rmax} , respectively.
- The Filtered Derivative block models the rate feedback path for stabilization of the excitation system. Here, K_F and T_F are the gain and time constant of this system, respectively. Refer to the documentation for the Filtered Derivative block for the exact discrete and continuous implementations.
- The Integrator block controls the exciter output through controlled saturation. The parameter E_{FDmax} represents the limit on the exciter voltage. The time constant T_E is associated with the inductance of the control windings.

Field Current Limiters

You can use various field current limiters to modify the output of the voltage regulator under unsafe operating conditions:

- Use an overexcitation limiter to prevent overheating of the field winding due to excessive field current demand.
- Use an underexcitation limiter to boost field excitation when it is too low, which risks desynchronization.
- Use a stator current limiter to prevent overheating of the stator windings due to excessive current.

Attach the output of any of these limiters at one of these points:

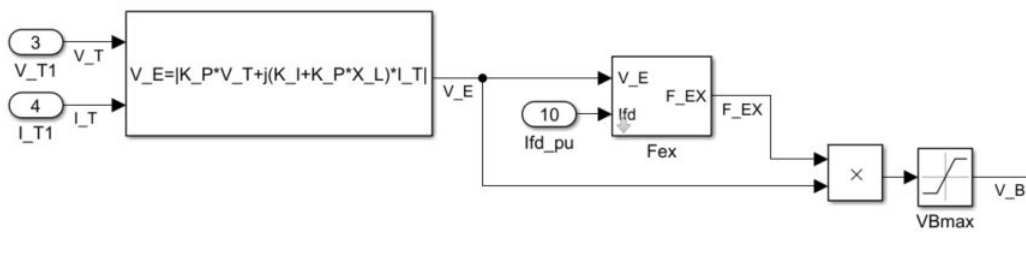
- The summation point as part of the automatic voltage regulator (AVR) feedback loop
- The take-over point to override the usual behavior of the AVR

If you are using the stator current limiter at the summation point, use the single input V_{SCLsum} . If you are using the stator current limiter at the take-over point, use both the overexcitation input, V_{SCLoel} , and the underexcitation input, V_{SCLuel} .

Power Source

Some static systems utilize both current and voltage sources to generate the power source.

This diagram shows a model of the exciter power source utilizing a phasor combination of the terminal voltage, V_T , and terminal current, I_T :



Ports

Input

V_REF — Voltage reference

scalar

Voltage regulator reference set point, in per-unit representation, specified as a scalar.

Data Types: `single` | `double`

V_S — Input from stabilizer

scalar

Input from the power system stabilizer, in per-unit representation, specified as a scalar.

Data Types: `single` | `double`

V_T — Terminal voltage

scalar

Terminal voltage magnitude in per-unit representation, specified as a scalar.

Data Types: `single` | `double`

I_T — Terminal current

scalar

Terminal current magnitude in per-unit representation, specified as a scalar.

Data Types: single | double

V_OEL — Overexcitation limit signal

scalar

Input from the overexcitation limiter, in per-unit representation, specified as a scalar.

Dependencies

- To ignore the input from the overexcitation limiter, set **Alternate OEL input locations (V_OEL)** to Unused.
- To use the input from the overexcitation limiter at the summation point, set **Alternate OEL input locations (V_OEL)** to Summation point.
- To use the input from the overexcitation limiter at the take-over point, set **Alternate OEL input locations (V_OEL)** to Take-over.

Data Types: single | double

V_UEL — Underexcitation limit signal

scalar

Input from the underexcitation limiter, in per-unit representation, specified as a scalar.

Dependencies

- To ignore the input from the underexcitation limiter, set **Alternate UEL input locations (V_UEL)** to Unused.
- To use the input from the underexcitation limiter at the summation point, set **Alternate UEL input locations (V_UEL)** to Summation point.
- To use the input from the underexcitation limiter at the take-over point, set **Alternate UEL input locations (V_UEL)** to Take-over.

Data Types: single | double

V_SCLsum — Summation point stator current limit signal

scalar

Input from the stator current limiter when using the summation point, in per-unit representation, specified as a scalar.

Dependencies

- To ignore the input from the stator current limiter, set **Alternate SCL input locations (V_SCL)** to Unused.
- To use the input from the stator current limiter at the summation point, set **Alternate SCL input locations (V_SCL)** to Summation point.

Data Types: single | double

V_SCLoel — Take-over stator current limit (OEL)

scalar

Input from the stator current limiter that prevents field overexcitation when using the take-over point, in per-unit representation, specified as a scalar.

Dependencies

- To ignore the input from the stator current limiter, set **Alternate SCL input locations (V_SCL)** to Unused.
- To use the input from the stator current limiter at the take-over point, set **Alternate SCL input locations (V_SCL)** to Take-over.

Data Types: single | double

V_SCLuel – Take-over stator current limit (UEL)

scalar

Input from the stator current limiter that prevents field underexcitation when using the take-over point, in per-unit representation, specified as a scalar.

Dependencies

- To ignore the input from the stator current limiter, set **Alternate SCL input locations (V_SCL)** to Unused.
- To use the input from the stator current limiter at the take-over point, set **Alternate SCL input locations (V_SCL)** to Take-over.

Data Types: single | double

I_{fd}_pu – Measured field current

scalar

Measured per-unit field current of the synchronous machine.

Data Types: single | double

Output**E_{fd}_pu – Field voltage**

scalar

Per-unit field voltage to to apply to the field circuit of the synchronous machine, returned as a scalar.

Data Types: single | double

Parameters**General****Initial field voltage, E_{fd0} (pu) – Initial output voltage**

1 (default) | real number

Initial per-unit voltage to apply to the field circuit of the synchronous machine.

Initial terminal voltage, V_{t0} (pu) – Initial terminal voltage

1 (default) | real number

Initial per-unit terminal voltage.

Initial terminal current, I_{t0} (pu) – Initial terminal current

1 (default) | real number

Initial per-unit terminal current.

Sample time (-1 for inherited) – Block sample time

-1 (default) | 0 | positive scalar

Time between consecutive block executions. During execution, the block produces outputs and, if appropriate, updates its internal state. For more information, see “What Is Sample Time?” and “Specify Sample Time”.

For inherited discrete-time operation, specify -1. For discrete-time operation, specify a positive integer. For continuous-time operation, specify 0.

If this block is in a masked subsystem, or other variant subsystem that allows you to switch between continuous operation and discrete operation, promote the sample time parameter. Promoting the sample time parameter ensures correct switching between the continuous and discrete implementations of the block. For more information, see “Promote Parameter to Mask”.

Pre-Control

Resistive component of load compensation, R_C (pu) – Compensation resistance

0 (default) | positive number

Resistance used in the current compensation system. Set this parameter and **Reactance component of load compensation, X_C (pu)** to 0 to disable current compensation.

Reactance component of load compensation, X_C (pu) – Compensation reactance

0 (default) | positive number

Reactance used in the current compensation system. Set this parameter and **Resistive component of load compensation, R_C (pu)** to 0 to disable current compensation.

Regulator input filter time constant, T_R (s) – Regulator time constant

0 (default) | positive number

Equivalent time constant for the voltage transducer filtering.

Control

Voltage regulator proportional gain, K_PR (pu) – Regulator proportional gain

1 (default) | positive number

Proportional gain associated with the voltage regulator PI control block.

Voltage regulator integral gain, K_IR (pu/s) – Regulator integral gain

0 (default) | positive number

Integral gain associated with the voltage regulator PI control block.

Maximum voltage regulator output, V_PImax (pu) – Upper limit of regulator output for PI control

99 (default) | real number

Maximum per-unit output voltage of the regulator PI control block.

Minimum voltage regulator output, V_PImin (pu) – Lower limit of regulator output for PI control

-99 (default) | real number

Minimum per-unit output voltage of the regulator PI control block.

Voltage regulator gain, K_A (pu) – Regulator gain

120 (default) | positive number

Gain associated with the voltage regulator.

Voltage regulator time constant, T_A (s) – Regulator time constant

0.15 (default) | positive number

Major time constant of the voltage regulator.

Rate feedback gain, K_F (pu) – Rate feedback gain

0.05 (default) | positive number

Rate feedback block gain.

Rate feedback time constant, T_F (s) – Rate feedback time constant

1 (default) | positive number

Rate feedback block time constant.

Maximum regulator output, V_Rmax (pu) – Upper limit of the regulator output

1 (default) | real number

Maximum per-unit output voltage of the regulator.

Minimum regulator output, V_Rmin (pu) – Lower limit of the regulator output

0 (default) | real number

Minimum per-unit output voltage of the regulator.

Alternate OEL input locations (V_OEL) – OEL input location

Unused (default) | Summation point | Take-over

Overexcitation limiter input location.

Alternate UEL input locations (V_UEL) – UEL input location

Unused (default) | Summation point | Take-over

Underexcitation limiter input location.

Alternate SCL input locations (V_SCL) – SCL input location

Unused (default) | Summation point | Take-over

Stator current limiter input location:

- If you select `Summation point`, use the `V_SCLsum` input port.
- If you select `Take-over`, use the `V_SCLoel` and `V_SCLuel` input ports.

Exciter

Rectifier loading factor proportional to commutating reactance, K_C (pu) – Rectifier loading factor

0.1 (default) | positive number

Rectifier loading factor proportional to the commutating reactance.

Exciter field proportional constant, K_E (pu) – Exciter field gain

1 (default) | positive number

Proportional constant for the exciter field.

Exciter field time constant, T_E (s) – Exciter field time constant

0.5 (default) | positive number

Time constant for exciter field.

Maximum generator field voltage, E_{FDmax} (pu) – Upper limit of generator field voltage

4.4 (default) | positive number

Maximum per-unit generator field voltage value.

Potential circuit (voltage) gain coefficient, K_P (pu) – Potential circuit voltage gain coefficient

4.88 (default) | positive number

Per-unit voltage gain coefficient in the power source circuit.

Compound circuit (current) gain coefficient, K_I (pu) – Potential circuit current gain coefficient

0 (default) | positive number

Per-unit current gain coefficient in the power source circuit.

Reactance associated with potential source, X_L (pu) – Potential source reactance

0 (default) | positive number

Per-unit reactance in the power source circuit.

Potential circuit phase angle (degrees) – Potential circuit phase angle

0 (default) | positive number

Phase angle of the power source circuit, in degrees.

Maximum available exciter voltage, V_{Bmax} (pu) – Upper limit of exciter voltage

5.2 (default) | positive number

Maximum per-unit available exciter voltage value.

References

- [1] *IEEE Recommended Practice for Excitation System Models for Power System Stability Studies*. IEEE Std 421.5-2016. Piscataway, NJ: IEEE-SA, 2016.

Extended Capabilities

C/C++ Code Generation

Generate C and C++ code using Simulink® Coder™.

See Also

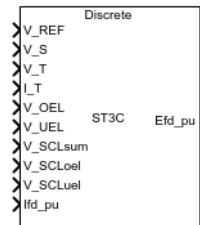
SM ST1C | SM ST3C | SM ST4C

Introduced in R2020a

SM ST3C

Discrete-time or continuous-time synchronous machine ST3C static excitation system with an automatic voltage regulator

Library: Simscape / Electrical / Control / SM Control



Description

The SM ST3C block implements a synchronous-machine-type ST3C static excitation system model in conformance with IEEE 421.5-2016^[1].

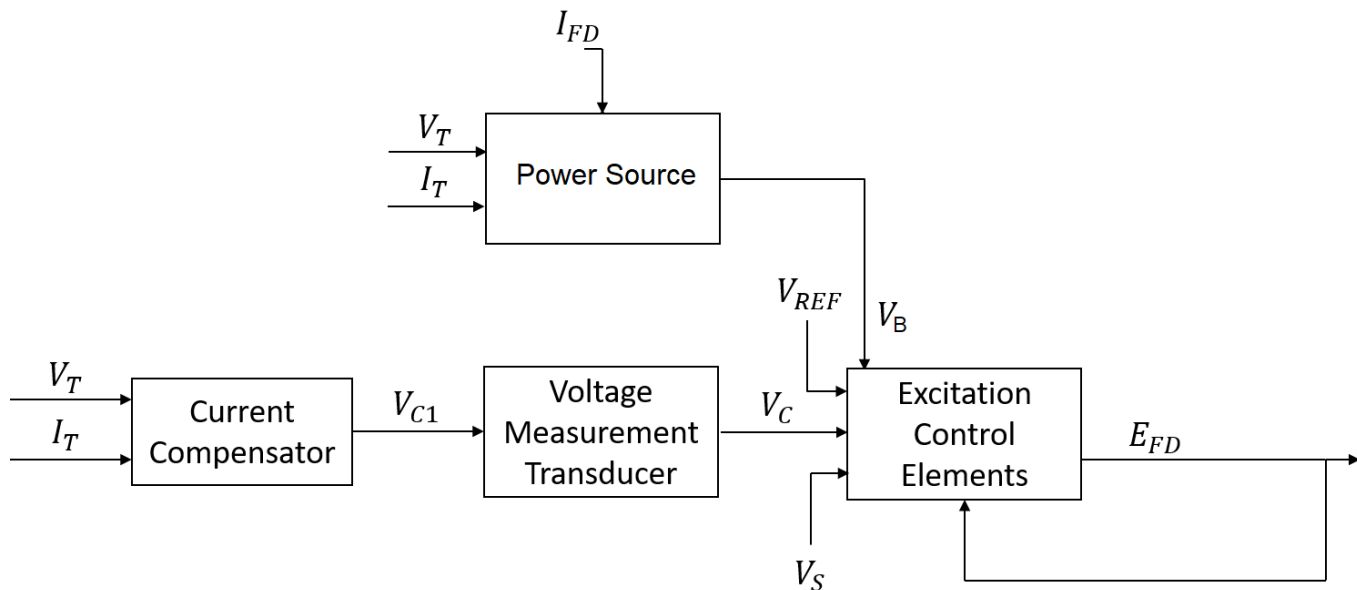
Use this block to model the control and regulation of the field voltage of a synchronous machine.

You can switch between continuous and discrete implementations of the block by using the **Sample time (-1 for inherited)** parameter. To configure the integrator for continuous time, set the **Sample time (-1 for inherited)** property to 0. To configure the integrator for discrete time, set the **Sample time (-1 for inherited)** property to a positive, nonzero value, or to -1 to inherit the sample time from an upstream block.

The SM ST3C block comprises four major components:

- The Current Compensator modifies the measured terminal voltage as a function of the terminal current.
- The Voltage Measurement Transducer simulates the dynamics of a terminal voltage transducer using a low-pass filter.
- The Excitation Control Elements component compares the voltage transducer output with a terminal voltage reference to produce a voltage error. This voltage error is then passed through a voltage regulator to produce the field voltage.
- The Power Source models the power source for the controlled rectifier when it is independent from the terminal voltage.

This diagram shows the overall structure of the ST3C excitation system model:



In the diagram:

- V_T and I_T are the measured terminal voltage and current of the synchronous machine.
- V_{C1} is the current-compensated terminal voltage.
- V_C is the filtered, current-compensated terminal voltage.
- V_{REF} is the reference terminal voltage.
- V_S is the power system stabilizer voltage.
- V_B is the exciter field voltage.
- E_{FD} and I_{FD} are the field voltage and current, respectively.

The following sections describe each of the major parts of the block in detail.

Current Compensator and Voltage Measurement Transducer

The current compensator is modeled as:

$$V_{C1} = V_T + I_T \sqrt{R_C^2 + X_C^2},$$

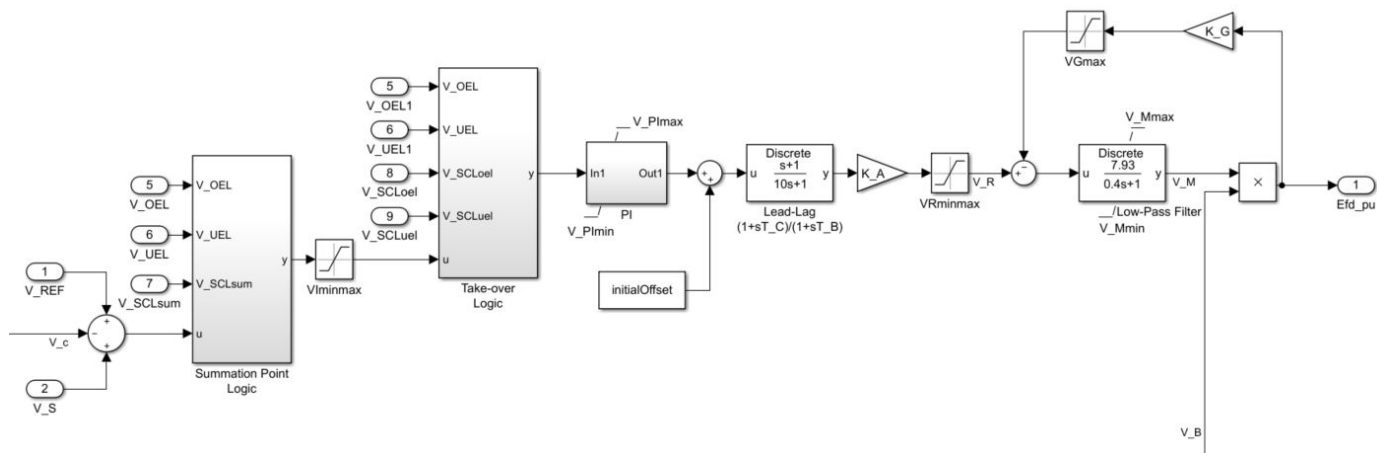
where:

- R_C is the load compensation resistance.
- X_C is the load compensation reactance.

The voltage measurement transducer is implemented as a Low-Pass Filter block with the time constant T_R . Refer to the documentation for the Low-Pass Filter block for the discrete and continuous implementations.

Excitation Control Elements

This diagram illustrates the overall structure of the excitation control elements:



In the diagram:

- The Summation Point Logic subsystem models the summation point input location for the overexcitation limiter (OEL), underexcitation limiter (UEL), stator current limiter (SCL), and the power switch selector (V_S) voltages. For more information about using limiters with this block, see “Field Current Limiters” on page 1-1629.
- The Take-over Logic subsystem models the take-over point input location for the OEL, UEL, and SCL voltages. For more information about using limiters with this block, see “Field Current Limiters” on page 1-1629.
- The PI subsystem models a PI controller that functions as a control structure for the automatic voltage regulator and allows the representation of an equipment retrofit with a modern digital controller. The minimum and maximum anti-windup saturation limits for the block are V_{PImin} and V_{PImax} respectively.
- The Lead-Lag block models additional dynamics associated with the voltage regulator and represents the system stabilizer. Here, T_C is the lead time constant and T_B is the lag time constant. Refer to the documentation for this block for the exact discrete and continuous implementations.
- An inner field voltage control loop is utilized to linearize the exciter control characteristic and it is composed of the gains K_M and K_G and the time constant T_M . The minimum and maximum anti-windup saturation limits for the block are V_{Mmin} and V_{Mmax} respectively.

Field Current Limiters

You can use various field current limiters to modify the output of the voltage regulator under unsafe operating conditions:

- Use an overexcitation limiter to prevent overheating of the field winding due to excessive field current demand.
- Use an underexcitation limiter to boost field excitation when it is too low, which risks desynchronization.
- Use a stator current limiter to prevent overheating of the stator windings due to excessive current.

Attach the output of any of these limiters at one of these points:

- The summation point as part of the automatic voltage regulator (AVR) feedback loop

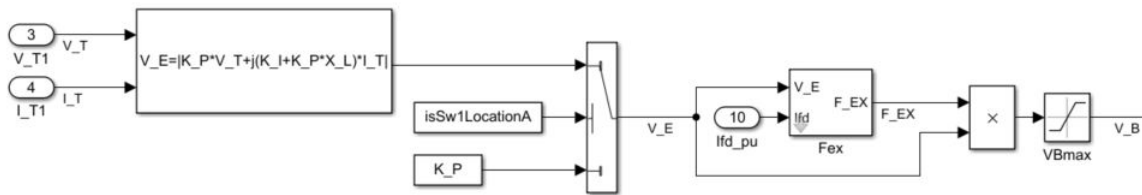
- The take-over point to override the usual behavior of the AVR

If you are using the stator current limiter at the summation point, use the single input V_{SCLsum} . If you are using the stator current limiter at the take-over point, use both the overexcitation input, V_{SCLoel} , and the underexcitation input, V_{SCLuel} .

Power Source

It is possible to adopt a different representation of the power source for the controlled rectifier by selecting the relevant option in the **Power source selector** parameter. The power source for the controlled rectifier can be either derived from the terminal voltage (Position A: power source derived from generator terminal voltage) or it can be independent of the terminal voltage (Position B: power source independent of generator terminal conditions).

This diagram shows a model of the exciter power source utilizing a phasor combination of the terminal voltage, V_T , and terminal current, I_T :



Ports

Input

V_REF – Voltage reference

scalar

Voltage regulator reference set point, in per-unit representation, specified as a scalar.

Data Types: single | double

V_S – Input from stabilizer

scalar

Input from the power system stabilizer, in per-unit representation, specified as a scalar.

Data Types: single | double

V_T – Terminal voltage

scalar

Terminal voltage magnitude in per-unit representation, specified as a scalar.

Data Types: single | double

I_T – Terminal current

scalar

Terminal current magnitude in per-unit representation, specified as a scalar.

Data Types: single | double

V_OEL — Overexcitation limit signal

scalar

Input from the overexcitation limiter, in per-unit representation, specified as a scalar.

Dependencies

- To ignore the input from the overexcitation limiter, set **Alternate OEL input locations (V_OEL)** to Unused.
- To use the input from the overexcitation limiter at the summation point, set **Alternate OEL input locations (V_OEL)** to Summation point.
- To use the input from the overexcitation limiter at the take-over point, set **Alternate OEL input locations (V_OEL)** to Take-over.

Data Types: single | double

V_UEL — Underexcitation limit signal

scalar

Input from the underexcitation limiter, in per-unit representation, specified as a scalar.

Dependencies

- To ignore the input from the underexcitation limiter, set **Alternate UEL input locations (V_UEL)** to Unused.
- To use the input from the underexcitation limiter at the summation point, set **Alternate UEL input locations (V_UEL)** to Summation point.
- To use the input from the underexcitation limiter at the take-over point, set **Alternate UEL input locations (V_UEL)** to Take-over.

Data Types: single | double

V_SCLsum — Summation point stator current limit signal

scalar

Input from the stator current limiter when using the summation point, in per-unit representation, specified as a scalar.

Dependencies

- To ignore the input from the stator current limiter, set **Alternate SCL input locations (V_SCL)** to Unused.
- To use the input from the stator current limiter at the summation point, set **Alternate SCL input locations (V_SCL)** to Summation point.

Data Types: single | double

V_SCLoel — Take-over stator current limit (OEL)

scalar

Input from the stator current limiter that prevents field overexcitation when using the take-over point, in per-unit representation, specified as a scalar.

Dependencies

- To ignore the input from the stator current limiter, set **Alternate SCL input locations (V_SCL)** to Unused.
- To use the input from the stator current limiter at the take-over point, set **Alternate SCL input locations (V_SCL)** to Take-over.

Data Types: single | double

V_SCLuel – Take-over stator current limit (UEL)

scalar

Input from the stator current limiter that prevents field underexcitation when using the take-over point, in per-unit representation, specified as a scalar.

Dependencies

- To ignore the input from the stator current limiter, set **Alternate SCL input locations (V_SCL)** to Unused.
- To use the input from the stator current limiter at the take-over point, set **Alternate SCL input locations (V_SCL)** to Take-over.

Data Types: single | double

Ifd_pu – Measured field current

scalar

Measured per-unit field current of the synchronous machine, specified as a scalar.

Data Types: single | double

Output**Efd_pu – Field voltage**

scalar

Per-unit field voltage to apply to the field circuit of the synchronous machine, returned as a scalar.

Data Types: single | double

Parameters**General****Initial field voltage, Efd0 (pu) – Initial output voltage**

1 (default) | real number

Initial per-unit voltage to apply to the field circuit of the synchronous machine.

Initial terminal voltage, Vt0 (pu) – Initial terminal voltage

1 (default) | real number

Initial per-unit terminal voltage.

Initial terminal current, It0 (pu) – Initial terminal current

1 (default) | real number

Initial per-unit terminal current.

Sample time (-1 for inherited) – Block sample time

-1 (default) | 0 | positive scalar

Time between consecutive block executions. During execution, the block produces outputs and, if appropriate, updates its internal state. For more information, see “What Is Sample Time?” and “Specify Sample Time”.

For inherited discrete-time operation, specify -1. For discrete-time operation, specify a positive integer. For continuous-time operation, specify 0.

If this block is in a masked subsystem, or other variant subsystem that allows you to switch between continuous operation and discrete operation, promote the sample time parameter. Promoting the sample time parameter ensures correct switching between the continuous and discrete implementations of the block. For more information, see “Promote Parameter to Mask”.

Pre-Control

Resistive component of load compensation, R_C (pu) – Compensation resistance

0 (default) | positive number

Resistance used in the current compensation system. Set this parameter and **Reactance component of load compensation, X_C (pu)** to 0 to disable current compensation.

Reactance component of load compensation, X_C (pu) – Compensation reactance

0 (default) | positive number

Reactance used in the current compensation system. Set this parameter and **Resistive component of load compensation, R_C (pu)** to 0 to disable current compensation.

Regulator input filter time constant, T_R (s) – Regulator time constant

0 (default) | positive number

Equivalent time constant for the voltage transducer filtering.

Control

Voltage regulator gain, K_A (pu) – Regulator gain

200 (default) | positive number

Gain associated with the voltage regulator.

Regulator denominator (lag) time constant, T_B (s) – Regulator lag time constant for first lead-lag block

10 (default) | positive number

Equivalent lag time constant in the voltage regulator. Set this parameter to 0 when the additional lag dynamics are negligible.

Regulator numerator (lead) time constant, T_C (s) – Regulator lead time constant for first lead-lag block

1 (default) | positive number

Equivalent lead time constant in the voltage regulator. Set this parameter to 0 when the additional lead dynamics are negligible.

Voltage regulator proportional gain, K_PR (pu) — Regulator proportional gain
1 (default) | positive number

Proportional gain associated with the voltage regulator PI control block.

Voltage regulator integral gain, K_IR (pu/s) — Regulator integral gain
0 (default) | positive number

Integral gain associated with the voltage regulator PI control block.

Maximum voltage regulator output, V_PImax (pu) — Upper limit of regulator output for PI control

99 (default) | real number

Maximum per-unit output voltage of the regulator PI control block.

Minimum voltage regulator output, V_PImin (pu) — Lower limit of regulator output for PI control

-99 (default) | real number

Minimum per-unit output voltage of the regulator PI control block.

Maximum regulator output, V_Rmax (pu) — Upper limit of regulator output

10 (default) | real number

Maximum per-unit output voltage of the regulator.

Minimum regulator output, V_Rmin (pu) — Lower limit of regulator output

-10 (default) | real number

Minimum per-unit output voltage of the regulator.

Maximum voltage error (regulator input), V_Imax (pu) — Voltage upper limit

0.2 (default) | real number

Maximum per-unit voltage given as input to the regulator.

Minimum voltage error (regulator input), V_Imax (pu) — Voltage lower limit

-0.2 (default) | real number

Minimum per-unit voltage given as input to the regulator.

Forward gain of inner loop field regulator, K_M (pu) — Inner loop forward gain

7.93 (default) | positive number

Per-unit forward gain in the inner loop field regulator.

Forward time constant of inner loop field regulator, T_M (s) — Inner loop forward time constant

0.4 (default) | positive number

Forward time constant in the inner loop field regulator, in seconds.

Maximum output of field current regulator, V_Mmax (pu) — Upper limit of field current regulator output

1 (default) | real number

Maximum per-unit output voltage of the field current regulator.

Minimum regulator output, V_Mmin (pu) – Lower limit of field current regulator output
0 (default) | real number

Minimum per-unit output voltage of the field current regulator.

Feedback gain of field current regulator, K_G (pu) – Feedback gain of field current regulator
1 (default) | positive number

Per-unit feedback gain in the field current regulator.

Maximum feedback voltage for field current regulator, V_Gmax (pu) – Maximum feedback voltage for field current regulator
5.8 (default) | positive number

Maximum per-unit feedback voltage for the field current regulator.

Alternate OEL input locations (V_OEL) – OEL input location
Unused (default) | Summation point | Take-over

Overexcitation limiter input location.

Alternate UEL input locations (V_UEL) – UEL input location
Unused (default) | Summation point | Take-over

Underexcitation limiter input location.

Alternate SCL input locations (V_SCL) – SCL input location
Unused (default) | Summation point | Take-over

Stator current limiter input location:

- If you select `Summation point`, use the `V_SCLsum` input port.
- If you select `Take-over`, use the `V_SCLoel` and `V_SCLuel` input ports.

Exciter

Rectifier loading factor proportional to commutating reactance, K_C (pu) – Rectifier loading factor
0.2 (default) | positive number

Rectifier loading factor proportional to the commutating reactance.

Potential circuit (voltage) gain coefficient, K_P (pu) – Potential circuit voltage gain coefficient
6.15 (default) | positive number

Per-unit voltage gain coefficient in the power source circuit.

Dependencies

To enable this parameter, set **Power source selector** to Position A: power source derived from generator terminal voltage.

Compound circuit (current) gain coefficient, K_I (pu) – Potential circuit current gain coefficient

0 (default) | positive number

Per-unit current gain coefficient in the power source circuit.

Dependencies

To enable this parameter, set **Power source selector** to Position A: power source derived from generator terminal voltage.

Reactance associated with potential source, X_L (pu) – Potential source reactance

0.081 (default) | positive number

Per-unit reactance in the power source circuit.

Dependencies

To enable this parameter, set **Power source selector** to Position A: power source derived from generator terminal voltage.

Potential circuit phase angle (degrees) – Potential circuit phase angle

0 (default) | positive number

Phase angle of the power source circuit, in degrees.

Dependencies

To enable this parameter, set **Power source selector** to Position A: power source derived from generator terminal voltage.

Maximum available exciter voltage, V_Bmax (pu) – Upper limit of exciter voltage

6.9 (default) | positive number

Maximum per-unit available exciter voltage value.

Power source selector – Power source selector

Position A: power source derived from generator terminal voltage (default) |
Position B: power source independent of generator terminal conditions

Position of the power source selector, specified as Position A: power source derived from generator terminal voltage or Position B: power source independent of generator terminal conditions.

References

- [1] *IEEE Recommended Practice for Excitation System Models for Power System Stability Studies*. IEEE Std 421.5-2016. Piscataway, NJ: IEEE-SA, 2016.

Extended Capabilities**C/C++ Code Generation**

Generate C and C++ code using Simulink® Coder™.

See Also

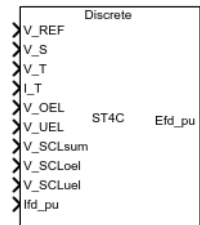
SM ST1C | SM ST2C | SM ST4C

Introduced in R2020a

SM ST4C

Discrete-time or continuous-time synchronous machine ST4C static excitation system with an automatic voltage regulator

Library: Simscape / Electrical / Control / SM Control



Description

The SM ST4C block implements a synchronous-machine-type ST4C static excitation system model in conformance with IEEE 421.5-2016^[1].

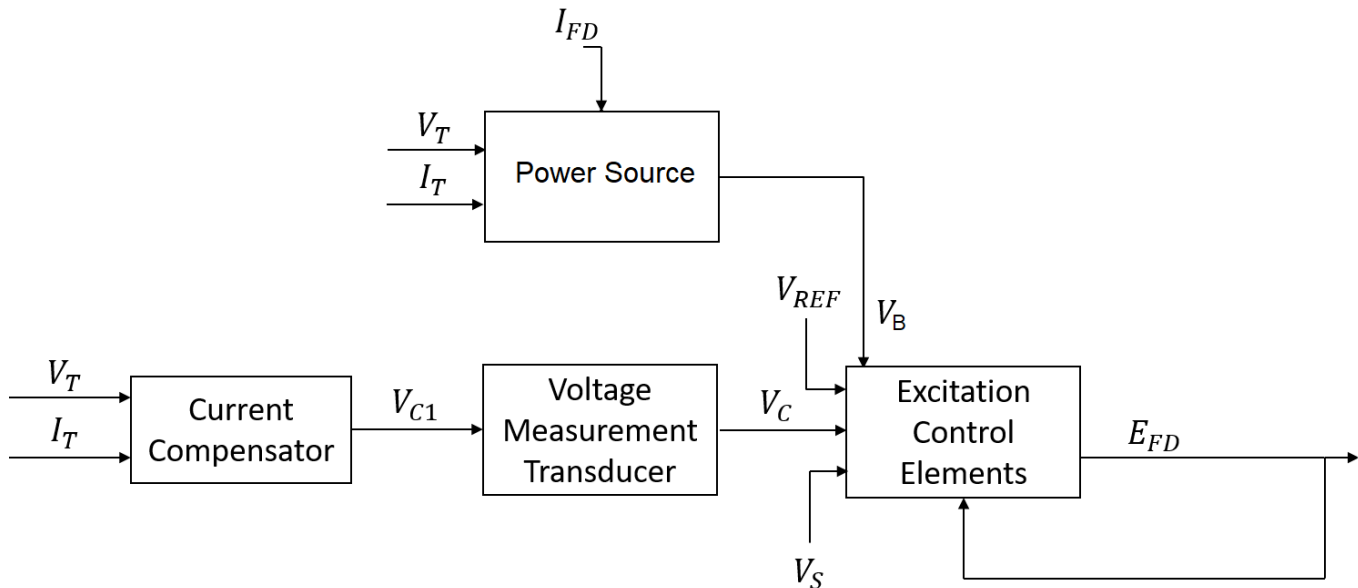
Use this block to model the control and regulation of the field voltage of a synchronous machine.

You can switch between continuous and discrete implementations of the block by using the **Sample time (-1 for inherited)** parameter. To configure the integrator for continuous time, set the **Sample time (-1 for inherited)** property to 0. To configure the integrator for discrete time, set the **Sample time (-1 for inherited)** property to a positive, nonzero value, or to -1 to inherit the sample time from an upstream block.

The SM ST4C block comprises of four major components:

- The Current Compensator modifies the measured terminal voltage as a function of the terminal current.
- The Voltage Measurement Transducer simulates the dynamics of a terminal voltage transducer using a low-pass filter.
- The Excitation Control Elements component compares the voltage transducer output with a terminal voltage reference to produce a voltage error. This voltage error is then passed through a voltage regulator to produce the field voltage.
- The Power Source component models the power source for the controlled rectifier when it is independent from the terminal voltage.

This diagram shows the overall structure of the ST4C excitation system model:



In the diagram:

- V_T and I_T are the measured terminal voltage and current of the synchronous machine.
- V_{C1} is the current-compensated terminal voltage.
- V_C is the filtered, current-compensated terminal voltage.
- V_{REF} is the reference terminal voltage.
- V_S is the power system stabilizer voltage.
- V_B is the exciter field voltage.
- E_{FD} and I_{FD} are the field voltage and current, respectively.

The following sections describe each of the major parts of the block in detail.

Current Compensator and Voltage Measurement Transducer

The current compensator is modeled as:

$$V_{C1} = V_T + I_T \sqrt{R_C^2 + X_C^2}$$

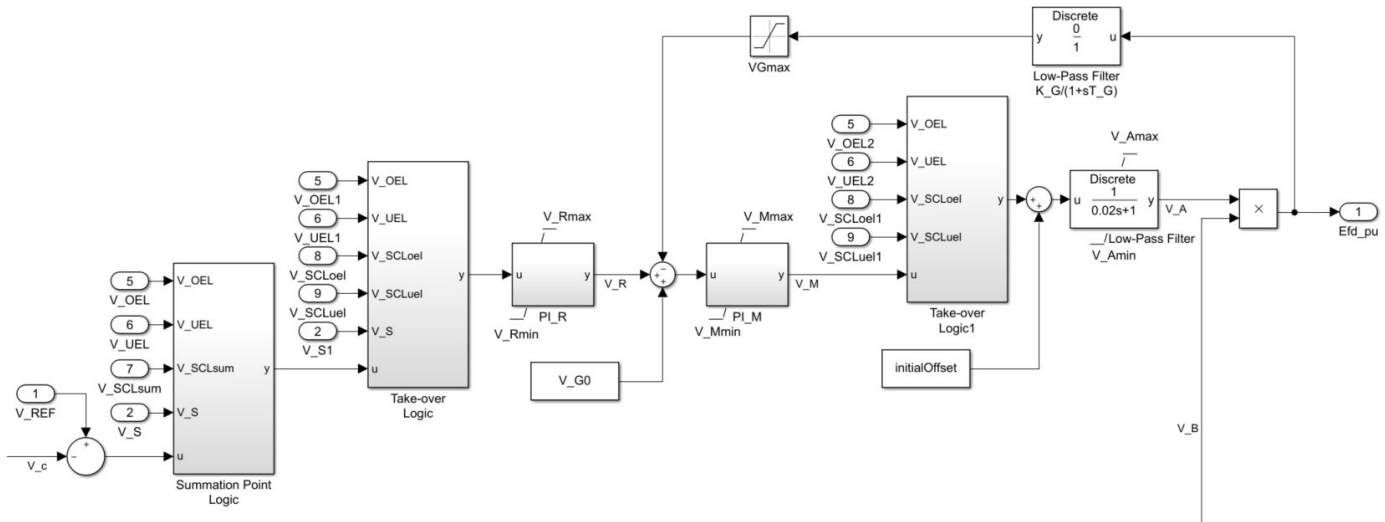
where:

- R_C is the load compensation resistance.
- X_C is the load compensation reactance.

The voltage measurement transducer is implemented as a Low-Pass Filter block with the time constant T_R . Refer to the documentation for the Low-Pass Filter block for the exact discrete and continuous implementations.

Excitation Control Elements

This diagram illustrates the overall structure of the excitation control elements:



In the diagram:

- The Summation Point Logic subsystem models the summation point input location for the overexcitation limiter (OEL), underexcitation limiter (UEL), stator current limiter (SCL), and the power switch selector (V_S) voltages. For more information about using limiters with this block, see “Field Current Limiters” on page 1-1640.
- There are two Take-over Logic subsystems. The subsystems model the take-over point input location for the OEL, UEL, SCL and PSS voltages. For more information about using limiters with this block, see “Field Current Limiters” on page 1-1640.
- The PI_R subsystem models a PI controller that functions as a control structure for the automatic voltage regulator and allows the representation of an equipment retrofit with a modern digital controller. The minimum and maximum anti-windup saturation limits for the block are V_{PImin} and V_{PImax} , respectively.
- The PI_M subsystem models a PI controller and replaces the Lead-Lag block in SM ST3C. The minimum and maximum anti-windup saturation limits for the block are V_{Mmin} and V_{Mmax} , respectively.
- An inner field voltage control loop is utilized to linearize the exciter control characteristic and it is composed of the gains K_M and K_G and the time constants T_M and T_G . The minimum and maximum anti-windup saturation limits for the Low-Pass Filter block are V_{Amin} and V_{Amax} , respectively.

Field Current Limiters

You can use various field current limiters to modify the output of the voltage regulator under unsafe operating conditions:

- Use an overexcitation limiter to prevent overheating of the field winding due to excessive field current demand.
- Use an underexcitation limiter to boost field excitation when it is too low, which risks desynchronization.
- Use a stator current limiter to prevent overheating of the stator windings due to excessive current.

Attach the output of any of these limiters at one of these points:

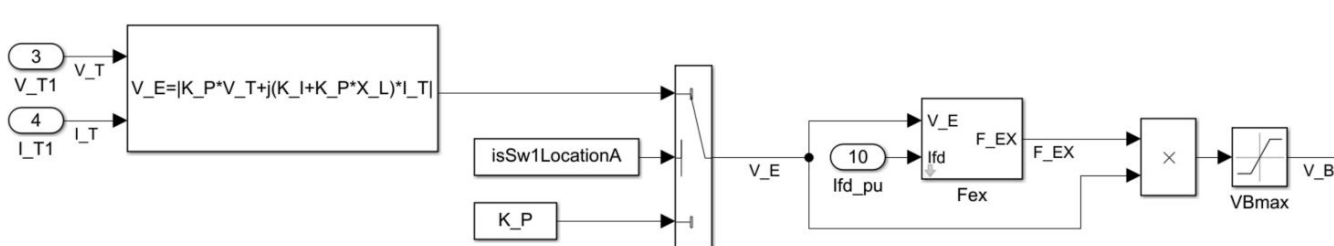
- The summation point as part of the automatic voltage regulator (AVR) feedback loop
- The take-over point to override the usual behavior of the AVR

If you are using the stator current limiter at the summation point, use the single input V_{SCLsum} . If you are using the stator current limiter at the take-over point, use both the overexcitation input, V_{SCLoel} , and the underexcitation input, V_{SCLuel} .

Power Source

It is possible to adopt a different representation of the power source for the controlled rectifier by selecting the relevant option in the **Power source selector** parameter. The power source for the controlled rectifier can be either derived from the terminal voltage (Position A: power source derived from generator terminal voltage) or it can be independent of the terminal voltage (Position B: power source independent of generator terminal conditions).

This diagram shows a model of the exciter power source utilizing a phasor combination of the terminal voltage, V_T , and terminal current, I_T :



Ports

Input

V_REF — Voltage reference

scalar

Voltage regulator reference set point, in per-unit representation, specified as a scalar.

Data Types: `single` | `double`

V_S — Input from stabilizer

scalar

Input from the power system stabilizer, in per-unit representation, specified as a scalar.

Data Types: `single` | `double`

V_T — Terminal voltage

scalar

Terminal voltage magnitude in per-unit representation, specified as a scalar.

Data Types: `single` | `double`

I_T — Terminal current

scalar

Terminal current magnitude in per-unit representation, specified as a scalar.

Data Types: single | double

V_OEL — Overexcitation limit signal

scalar

Input from the overexcitation limiter, in per-unit representation, specified as a scalar.

Dependencies

- To ignore the input from the overexcitation limiter, set **Alternate OEL input locations (V_OEL)** to Unused.
- To use the input from the overexcitation limiter at the summation point, set **Alternate OEL input locations (V_OEL)** to Summation point.
- To use the input from the overexcitation limiter at the take-over point, set **Alternate OEL input locations (V_OEL)** to Take-over.

Data Types: single | double

V_UEL — Underexcitation limit signal

scalar

Input from the underexcitation limiter, in per-unit representation, specified as a scalar.

Dependencies

- To ignore the input from the underexcitation limiter, set **Alternate UEL input locations (V_UEL)** to Unused.
- To use the input from the underexcitation limiter at the summation point, set **Alternate UEL input locations (V_UEL)** to Summation point.
- To use the input from the underexcitation limiter at the take-over point, set **Alternate UEL input locations (V_UEL)** to Take-over.

Data Types: single | double

V_SCLsum — Summation point stator current limit signal

scalar

Input from the stator current limiter when using the summation point, in per-unit representation, specified as a scalar.

Dependencies

- To ignore the input from the stator current limiter, set **Alternate SCL input locations (V_SCL)** to Unused.
- To use the input from the stator current limiter at the summation point, set **Alternate SCL input locations (V_SCL)** to Summation point.

Data Types: single | double

V_SCLoel — Take-over stator current limit (OEL)

scalar

Input from the stator current limiter that prevents field overexcitation when using the take-over point, in per-unit representation, specified as a scalar.

Dependencies

- To ignore the input from the stator current limiter, set **Alternate SCL input locations (V_SCL)** to Unused.
- To use the input from the stator current limiter at the take-over point, set **Alternate SCL input locations (V_SCL)** to Take-over.

Data Types: single | double

V_SCLuel – Take-over stator current limit (UEL)

scalar

Input from the stator current limiter that prevents field underexcitation when using the take-over point, in per-unit representation, specified as a scalar.

Dependencies

- To ignore the input from the stator current limiter, set **Alternate SCL input locations (V_SCL)** to Unused.
- To use the input from the stator current limiter at the take-over point, set **Alternate SCL input locations (V_SCL)** to Take-over.

Data Types: single | double

Ifd_pu – Measured field current

scalar

Measured per-unit field current of the synchronous machine, specified as a scalar.

Data Types: single | double

Output**Efd_pu – Field voltage**

scalar

Per-unit field voltage to apply to the field circuit of the synchronous machine, returned as a scalar.

Data Types: single | double

Parameters**General****Initial field voltage, Efd0 (pu) – Initial output voltage**

1 (default) | real number

Initial per-unit voltage to apply to the field circuit of the synchronous machine.

Initial terminal voltage, Vt0 (pu) – Initial terminal voltage

1 (default) | real number

Initial per-unit terminal voltage.

Initial terminal current, It0 (pu) – Initial terminal current

1 (default) | real number

Initial per-unit terminal current.

Sample time (-1 for inherited) – Block sample time

-1 (default) | 0 | positive scalar

Time between consecutive block executions. During execution, the block produces outputs and, if appropriate, updates its internal state. For more information, see “What Is Sample Time?” and “Specify Sample Time”.

For inherited discrete-time operation, specify -1. For discrete-time operation, specify a positive integer. For continuous-time operation, specify 0.

If this block is in a masked subsystem, or other variant subsystem that allows you to switch between continuous operation and discrete operation, promote the sample time parameter. Promoting the sample time parameter ensures correct switching between the continuous and discrete implementations of the block. For more information, see “Promote Parameter to Mask”.

Pre-Control**Resistive component of load compensation, R_C (pu) – Compensation resistance**

0 (default) | positive number

Resistance used in the current compensation system. Set this parameter and **Reactance component of load compensation, X_C (pu)** to 0 to disable current compensation.

Reactance component of load compensation, X_C (pu) – Compensation reactance

0 (default) | positive number

Reactance used in the current compensation system. Set this parameter and **Resistive component of load compensation, R_C (pu)** to 0 to disable current compensation.

Regulator input filter time constant, T_R (s) – Regulator time constant

0 (default) | positive number

Equivalent time constant for the voltage transducer filtering.

Control**Voltage regulator proportional gain, K_PR (pu) – Regulator proportional gain**

10.75 (default) | positive number

Proportional gain associated with the voltage regulator PI control block.

Voltage regulator integral gain, K_IR (pu/s) – Regulator integral gain

10.75 (default) | positive number

Integral gain associated with the voltage regulator PI control block.

Thyristor bridge firing control equivalent time constant, T_A (s) – Regulator lag time constant for first lead-lag block

0.02 (default) | positive number

Equivalent time constant in the thyristor bridge firing control.

Maximum regulator output, V_Rmax (pu) – Upper limit of regulator output

1 (default) | real number

Maximum per-unit output voltage of the regulator.

Minimum regulator output, V_Rmin (pu) – Lower limit of regulator output

-0.87 (default) | real number

Minimum per-unit output voltage of the regulator.

Forward proportional gain of inner loop field regulator, K_PM (pu) – Inner loop forward proportional gain

1 (default) | positive number

Per-unit forward proportional gain of the PI control block in the inner loop field regulator.

Forward integral gain of inner loop field regulator, K_IM (pu/s) – Inner loop forward integral gain

0 (default) | positive number

Forward integral gain of the PI control block in the inner loop field regulator.

Maximum output of field current regulator, V_Mmax (pu) – Upper limit of field current regulator output

99 (default) | real number

Maximum per-unit output voltage of the field current regulator.

Minimum output of field current regulator, V_Mmin (pu) – Lower limit of field current regulator output

-99 (default) | real number

Minimum per-unit output voltage of the field current regulator.

Maximum exciter output, V_Amax (pu) – Upper limit of exciter output

99 (default) | real number

Maximum per-unit output voltage of the exciter.

Minimum exciter output, V_Amin (pu) – Lower limit of exciter output

-99 (default) | real number

Minimum per-unit output voltage of the exciter.

Feedback gain of field current regulator, K_G (pu) – Feedback gain of field current regulator

0 (default) | positive number

Per-unit feedback gain of the field current regulator.

Feedback time constant of field current regulator, T_G (s) – Feedback time constant of field current regulator

0 (default) | positive number

Per-unit feedback time constant of the field current regulator.

Maximum feedback voltage for field current regulator, V_Gmax (pu) – Maximum feedback voltage for field current regulator

99 (default) | positive number

Maximum per-unit feedback voltage for the field current regulator.

Alternate PSS input locations (V_S) – PSS input location

Summation point before take-over UEL (default) | Summation point after take-over UEL

Power system stabilizer input.

Alternate OEL input locations (V_OEL) – OEL input location

Unused (default) | Summation point at voltage error | Take-over at voltage regulator input | Take-over at inner-loop output

Overexcitation limiter input location:

- If you select Summation point at voltage error, **V_OEL** is an input of the Summation Point Logic subsystem.
- If you select Take-over at voltage regulator input, **V_OEL** is an input of the Take-over Logic subsystem.
- If you select Take-over at inner-loop output, **V_OEL** is an input of the Take-over Logic 1 subsystem.

Alternate UEL input locations (V_UEL) – UEL input location

Unused (default) | Summation point at voltage error | Take-over at voltage regulator input | Take-over at inner-loop output

Underexcitation limiter input location:

- If you select Summation point at voltage error, **V_UEL** is an input of the Summation Point Logic subsystem.
- If you select Take-over at voltage regulator input, **V_UEL** is an input of the Take-over Logic subsystem.
- If you select Take-over at inner-loop output, **V_UEL** is an input of the Take-over Logic 1 subsystem.

Alternate SCL input locations (V_SCL) – SCL input location

Unused (default) | Summation point at voltage error | Take-over at voltage regulator input | Take-over at inner-loop output

Stator current limiter input location:

- If you select Summation point, use the **V_SCLsum** input port.
- If you select any of the Take-over options, use the **V_SCLoel** and **V_SCLuel** input ports.

Exciter**Rectifier loading factor proportional to commutating reactance, K_C (pu) – Rectifier loading factor**

0.113 (default) | positive number

Rectifier loading factor proportional to the commutating reactance.

Potential circuit (voltage) gain coefficient, K_P (pu) – Potential circuit voltage gain coefficient

9.3 (default) | positive number

Per-unit voltage gain coefficient in the power source circuit.

Dependencies

To enable this parameter, set **Power source selector** to Position A: power source derived from generator terminal voltage.

Compound circuit (current) gain coefficient, K_I (pu) – Potential circuit current gain coefficient

0 (default) | positive number

Per-unit current gain coefficient in the power source circuit.

Dependencies

To enable this parameter, set **Power source selector** to Position A: power source derived from generator terminal voltage.

Reactance associated with potential source, X_L (pu) – Potential source reactance

0.124 (default) | positive number

Per-unit reactance in the power source circuit.

Dependencies

To enable this parameter, set **Power source selector** to Position A: power source derived from generator terminal voltage.

Potential circuit phase angle (degrees) – Potential circuit phase angle

0 (default) | positive number

Phase angle of the power source circuit, in degrees.

Dependencies

To enable this parameter, set **Power source selector** to Position A: power source derived from generator terminal voltage.

Maximum available exciter voltage, V_{Bmax} (pu) – Exciter voltage upper limit

11.63 (default) | positive number

Maximum per-unit available exciter voltage value.

Power source selector – Power source selector

Position A: power source derived from generator terminal voltage (default) |
Position B: power source independent of generator terminal conditions

Position of the power source selector, specified as Position A: power source derived from generator terminal voltage or Position B: power source independent of generator terminal conditions.

References

- [1] *IEEE Recommended Practice for Excitation System Models for Power System Stability Studies*. IEEE Std 421.5-2016. Piscataway, NJ: IEEE-SA, 2016.

Extended Capabilities

C/C++ Code Generation

Generate C and C++ code using Simulink® Coder™.

See Also

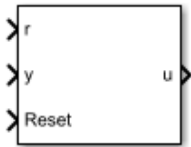
SM ST1C | SM ST2C | SM ST3C

Introduced in R2020a

Smith Predictor Controller

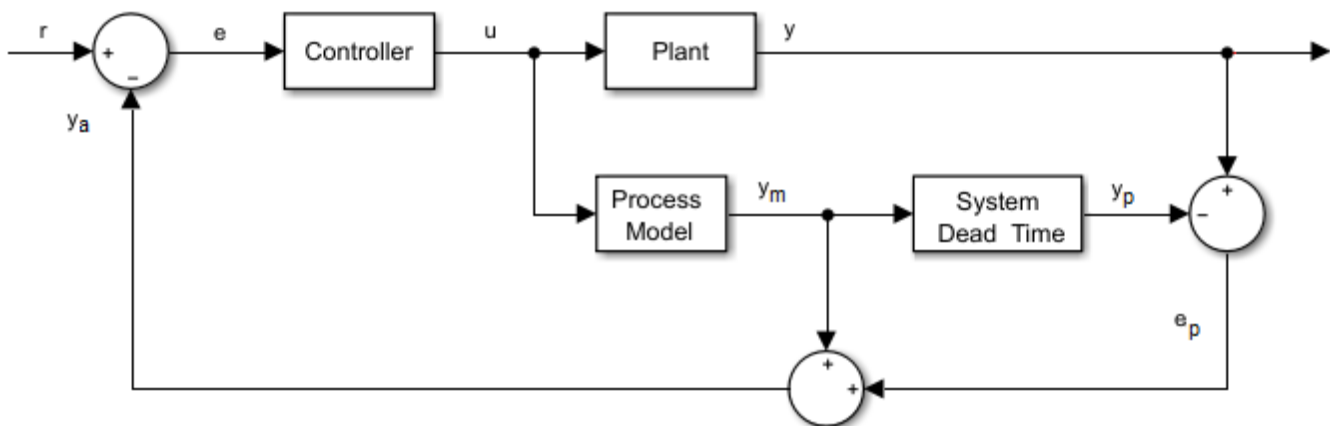
Discrete-time Smith dead-time compensator

Library: Simscape / Electrical / Control / General Control



Description

The Smith Predictor Controller block compensates for dead time by implementing a Smith dead-time PI control structure in discrete time. This diagram shows the equivalent circuit for the block.



Equations

The transfer function for a system with dead-time is

$$G_f(s) = G_p(s)e^{-\tau s},$$

where:

- τ is the system dead time.
- $G_p(s)$ is the process model.
- $G_f(s)$ is prediction error filter.

Ports

Input

r – Plant reference

scalar

Plant system reference signal.

Data Types: `single` | `double`

Reset – Integrator reset

scalar

External reset signal (rising edge) for the integrator.

Data Types: `Boolean`

y – Plant output

scalar

Plant system output signal.

Data Types: `single` | `double`

Output

u – Controller output

scalar

Control system output signal.

Data Types: `single` | `double`

Parameters

Proportional gain – K_p

1 (default) | positive scalar

Proportional gain, K_p , of the PI controller.

Integral gain – K_i

1 (default) | positive scalar

Integral gain, K_i , of the PI controller.

Integrator initial condition – Initial integrator value

0 (default) | scalar

Value of the integrator at simulation start time.

Control action upper limit – u_{max}

5 (default) | scalar greater than the value of the **Control action lower limit** parameter

Upper limit for the control output signal.

Control action lower limit — u_{min}

0 (default) | scalar

Lower limit for the control output signal.

Model discrete transfer function numerator — Transfer function numerator

1 (default) | scalar or vector

Numerator of the system discretized transfer function. To determine the discrete transfer function, if you have a license for Control System Toolbox, use the `c2d` function.

Model discrete transfer function denominator — Transfer function denominator

[1 0.5] (default) | vector

Denominator of the system discretized transfer function. To determine the discrete transfer function, if you have a license for Control System Toolbox, use the `c2d` function.

System dead time (samples) — Number of dead-time samples

2 (default) | 0 or a positive integer

Number of samples of the dead time.

Sample time (-1 for inherited) — Sampling interval

-1 (default) | default value or a positive number

Time interval between samples. If the block is inside a triggered subsystem, inherit the sample time by setting this parameter to -1. If this block is in a continuous variable-step model, specify the sample time explicitly. For more information, see “What Is Sample Time?” and “Specify Sample Time”.

References

- [1] Velagic, J. "Design of Smith-like Predictive Controller with Communication with Communication Delay Adaptation." *International Journal of Electrical, Computer, Energetic, Electronic and Communication Engineering*. Vol 2, Number 11, 2008, pp. 2447-2481.

Extended Capabilities

C/C++ Code Generation

Generate C and C++ code using Simulink® Coder™.

See Also

Blocks

RST Controller | State-Feedback Controller

Introduced in R2017b

Solar Cell

Photovoltaic solar cell

Library: Simscape / Electrical / Sources



Description

The Solar Cell block represents a solar cell current source.

The solar cell model includes the following components:

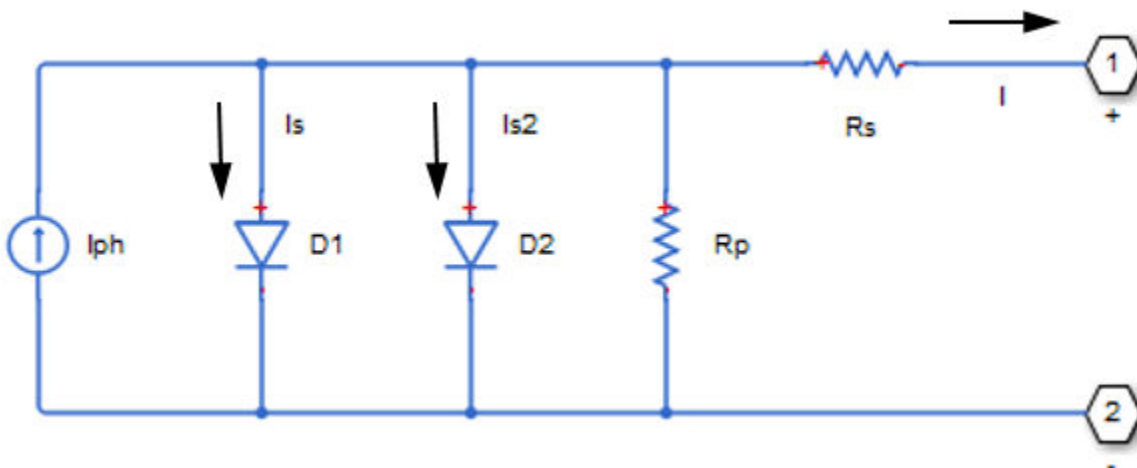
- “Solar-Induced Current” on page 1-1652
- “Temperature Dependence” on page 1-1654
- “Thermal Port” on page 1-1654

Solar-Induced Current

The block represents a single solar cell as a resistance R_s that is connected in series with a parallel combination of the following elements:

- Current source
- Two exponential diodes
- Parallel resistor R_p

The following illustration shows the equivalent circuit diagram:



The output current I is

$$I = I_{ph} - I_s * \left(e^{(V + I * R_s)/(N * V_t)} - 1 \right) - I_{s2} * \left(e^{(V + I * R_s)/(N_2 * V_t)} - 1 \right) - (V + I * R_s)/R_p$$

where:

- I_{ph} is the solar-induced current:

$$I_{ph} = I_{ph0} \times \frac{I_r}{I_{r0}}$$

where:

- I_r is the irradiance (light intensity), in W/m², falling on the cell.
- I_{ph0} is the measured solar-generated current for the irradiance I_{r0} .
- I_s is the saturation current of the first diode.
- I_{s2} is the saturation current of the second diode.
- V_t is the thermal voltage, kT/q , where:
 - k is the Boltzmann constant.
 - T is the **Device simulation temperature** parameter value.
 - q is the elementary charge on an electron.
- N is the quality factor (diode emission coefficient) of the first diode.
- N_2 is the quality factor (diode emission coefficient) of the second diode.
- V is the voltage across the solar cell electrical ports.

The quality factor varies for amorphous cells, and is typically 2 for polycrystalline cells.

The block lets you choose between two models:

- An 8-parameter model where the preceding equation describes the output current
- A 5-parameter model that applies the following simplifying assumptions to the preceding equation:
 - The saturation current of the second diode is zero.
 - The impedance of the parallel resistor is infinite.

If you choose the 5-parameter model, you can parameterize this block in terms of the preceding equivalent circuit model parameters or in terms of the short-circuit current and open-circuit voltage the block uses to derive these parameters.

All models adjust the block resistance and current parameters as a function of temperature.

You can model any number of solar cells connected in series using a single Solar Cell block by setting the parameter **Number of series cells** to a value larger than 1. Internally the block still simulates only the equations for a single solar cell, but scales up the output voltage according to the number of cells. This results in a more efficient simulation than if equations for each cell were simulated individually.

If you want to model N cells in parallel, you can do so for single cells by scaling the parameter values accordingly. That is, multiply short-circuit current, diode saturation current, and solar-generated currents by N , and divide series resistance by N . To connect solar cell blocks in parallel, where each block contains multiple cells in series, make multiple copies of the block and connect accordingly.

Temperature Dependence

Several solar cell parameters depend on temperature. The solar cell temperature is specified by the **Device simulation temperature** parameter value.

The block provides the following relationship between the solar-induced current I_{ph} and the solar cell temperature T :

$$I_{ph}(T) = I_{ph} * (1 + TIPH1 * (T - T_{meas}))$$

where:

- $TIPH1$ is the **First order temperature coefficient for Iph, TIPH1** parameter value.
- T_{meas} is the **Measurement temperature** parameter value.

The block provides the following relationship between the saturation current of the first diode I_s and the solar cell temperature T :

$$I_s(T) = I_s * \left(\frac{T}{T_{meas}}\right)^{(TXIS1/N)} * e^{EG * \left(\frac{T}{T_{meas}} - 1\right) / (N * V_t)}$$

where $TXIS1$ is the **Temperature exponent for Is, TXIS1** parameter value.

The block provides the following relationship between the saturation current of the second diode I_{s2} and the solar cell temperature T :

$$I_{s2}(T) = I_{s2} * \left(\frac{T}{T_{meas}}\right)^{(TXIS2/N2)} * e^{EG * \left(\frac{T}{T_{meas}} - 1\right) / (N2 * V_t)}$$

where $TXIS2$ is the **Temperature exponent for Is2, TXIS2** parameter value.

The block provides the following relationship between the series resistance R_s and the solar cell temperature T :

$$R_s(T) = R_s * \left(\frac{T}{T_{meas}}\right)^{TRS1}$$

where $TRS1$ is the **Temperature exponent for Rs, TRS1** parameter value.

The block provides the following relationship between the parallel resistance R_p and the solar cell temperature T :

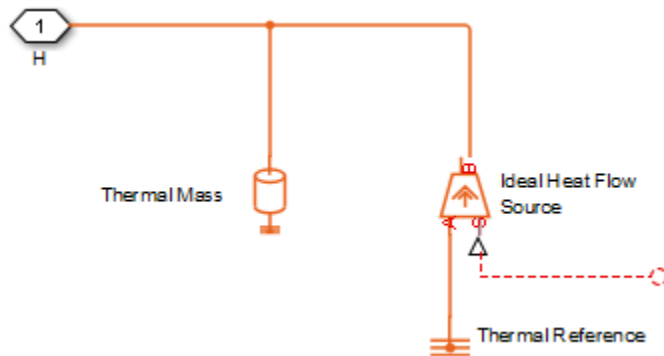
$$R_p(T) = R_p * \left(\frac{T}{T_{meas}}\right)^{TRP1}$$

where $TRP1$ is the **Temperature exponent for Rp, TRP1** parameter value.

Thermal Port

The block has an optional thermal port, hidden by default. To expose the thermal port, right-click the block in your model, and then from the context menu select **Simscape > Block choices > Show thermal port**. This action displays the thermal port **H** on the block icon, and exposes the **Thermal Port** parameters.

The thermal port model, shown in the following illustration, represents just the thermal mass of the device. The thermal mass is directly connected to the component thermal port **H**. An internal Ideal Heat Flow Source block supplies a heat flow to the port and thermal mass. This heat flow represents the internally generated heat.



The internally generated heat in the solar cell is calculated according to the equivalent circuit diagram, shown at the beginning of the reference page, in the “Solar-Induced Current” on page 1-1652 section. It is the sum of the $i^2 \cdot R$ losses for each of the resistors plus the losses in each of the diodes.

The internally generated heat due to electrical losses is a separate heating effect to that of the solar irradiation. To model thermal heating due to solar irradiation, you must account for it separately in your model and add the heat flow to the physical node connected to the solar cell thermal port.

Ports

Input

Ir – Incident irradiance

physical signal

Physical signal associated with the solar cell incident irradiance.

Conserving

+ – Positive voltage

electrical

Electrical conserving port associated with the solar cell positive voltage

- – Negative voltage

electrical

Electrical conserving port associated with the solar cell negative voltage

Parameters

Cell Characteristics

Parameterize by — Block parameterization

By s/c current and o/c voltage, 5 parameter (default) | By equivalent circuit parameters, 5 parameter | By equivalent circuit parameters, 8 parameter

Select one of the following methods for block parameterization:

- By s/c current and o/c voltage, 5 parameter — Provide short-circuit current and open-circuit voltage that the block converts to an equivalent circuit model of the solar cell.
- By equivalent circuit parameters, 5 parameter — Provide electrical parameters for an equivalent circuit model of the solar cell using the 5-parameter solar cell model that makes the following assumptions:
 - The saturation current of the second diode is zero.
 - The parallel resistor has infinite impedance.
- By equivalent circuit parameters, 8 parameter — Provide electrical parameters for an equivalent circuit model of the solar cell using the 8-parameter solar cell model.

Short-circuit current, I_{sc} — Short-circuit current

7.34 A (default)

Current that flows when you short-circuit the solar cell.

Dependencies

This parameter is visible only when you select By s/c current and o/c voltage, 5 parameter for the **Parameterize by** parameter.

Open-circuit voltage, V_{oc} — Open-circuit voltage

0.6 V (default)

Voltage across the solar cell when it is not connected.

Dependencies

This parameter is visible only when you select By s/c current and o/c voltage, 5 parameter for the **Parameterize by** parameter.

Diode saturation current, I_s — First diode saturation current

1e-6 A (default)

Asymptotic reverse current of the first diode for increasing reverse bias in the absence of any incident light.

Dependencies

This parameter is visible only when you select By equivalent circuit parameters, 5 parameter or By equivalent circuit parameters, 8 parameter for the **Parameterize by** parameter.

Diode saturation current, I_{s2} — Second diode saturation current

0 A (default)

Asymptotic reverse current of the second diode for increasing reverse bias in the absence of any incident light.

Dependencies

This parameter is visible only when you select **By equivalent circuit parameters, 8** parameter for the **Parameterize by** parameter.

Solar-generated current for measurements, I_{ph0} — Solar-generated current for measurements

7.34 A (default)

Solar-induced current when the irradiance is I_{r0} .

Dependencies

This parameter is visible only when you select **By equivalent circuit parameters, 5** parameter or **By equivalent circuit parameters, 8** parameter for the **Parameterize by** parameter.

Irradiance used for measurements, I_{r0} — Irradiance used for measurements

1000 W/m² (default)

Irradiance that produces a current of I_{ph0} in the solar cell.

Quality factor, N — First diode emission coefficient

1.5 (default)

Emission coefficient of the first diode.

Quality factor, $N2$ — Second diode emission coefficient

2 (default)

Emission coefficient of the second diode.

Dependencies

This parameter is visible only when you select **By equivalent circuit parameters, 8** parameter for the **Parameterize by** parameter.

Series resistance, R_s — Series resistance

0 Ohm (default)

Internal series resistance.

Parallel resistance, R_p — Parallel resistance

inf Ohm (default)

Internal parallel resistance.

Dependencies

This parameter is visible only when you select **By equivalent circuit parameters, 8** parameter for the **Parameterize by** parameter.

Configuration**Number of series cells — Series-connected solar cells**

1 (default) | positive scalar

Number of series-connected solar cells modeled by the block. The value must be greater than 0.

Temperature Dependence**First order temperature coefficient for I_{ph} , TIPH1 — First order temperature coefficient for I_{ph}**

0 1/K (default) | nonnegative scalar

Order of the linear increase in the solar-generated current as temperature increases. The value must be greater than or equal to 0.

Energy gap, EG — Energy gap

1.11 eV (default)

Solar cell activation energy. The value must be greater than or equal to 0.1.

Temperature exponent for I_s , TXIS1 — Temperature exponent for I_s

3 (default) | nonnegative scalar

Order of the exponential increase in the current from the first diode as temperature increases. The value must be greater than or equal to 0.

Temperature exponent for I_{s2} , TXIS2 — Temperature exponent for I_{s2}

3 (default) | nonnegative scalar

Order of the exponential increase in the current from the second diode as temperature increases. The value must be greater than or equal to 0.

Dependencies

This parameter is visible only when you select **By equivalent circuit parameters**, 8 parameter for the **Parameterize by** parameter.

Temperature exponent for R_s , TRS1 — Temperature exponent for R_s

0 (default)

Order of the exponential increase in the series resistance as temperature increases. The value must be greater than or equal to 0.

Temperature exponent for R_p , TRP1 — Temperature exponent for R_p

0 (default) | nonnegative scalar

Order of the exponential increase in the parallel resistance as temperature increases. The value must be greater than or equal to 0.

Dependencies

This parameter is visible only when you select **By equivalent circuit parameters**, 8 parameter for the **Parameterize by** parameter.

Measurement temperature — Measurement temperature

25 degC (default) | positive scalar

Temperature at which the solar cell parameters were measured. The value must be greater than 0.

Device simulation temperature – Device simulation temperature

25 degC (default) | positive scalar

Temperature at which the solar cell is simulated. The value must be greater than 0.

Thermal port

This tab is visible only if you expose the thermal port on this block.

Thermal mass – Thermal mass

100 J/K (default)

The heat energy required to raise the temperature of the solar cell by one degree. When modeling more than one cell in series, specify the thermal mass for a single cell. This value gets multiplied internally by the number of cells to determine the total thermal mass.

Initial temperature – Initial temperature

25 degC (default)

The temperature of the solar cell at the start of simulation.

References

- [1] Gow, J.A. and C.D. Manning. "Development of a Photovoltaic Array Model for Use in Power-Electronics Simulation Studies." *IEEE Proceedings of Electric Power Applications*, Vol. 146, No. 2, 1999, pp. 193-200.

Extended Capabilities**C/C++ Code Generation**

Generate C and C++ code using Simulink® Coder™.

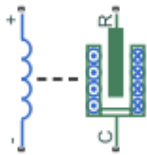
See Also

Introduced in R2008a

Solenoid

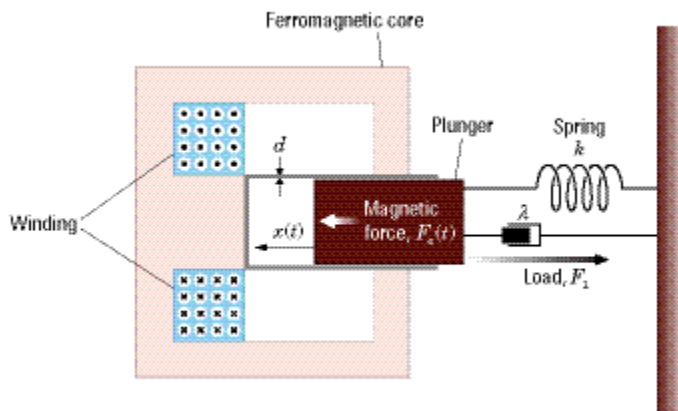
Electrical characteristics and generated force of solenoid

Library: Simscape / Electrical / Electromechanical / Mechatronic Actuators



Description

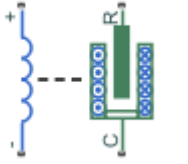
The Solenoid block represents the electrical characteristics and generated force for the solenoid in the following figure:



The return spring is optional. To remove the effects of this spring from the model, set the **Spring constant** parameter to 0.

To show the direction in which the solenoid acts, the block icon changes dynamically based on value of the **Motion direction under excitation** parameter.

When The Motion direction under excitation Parameter Is Set To...	Block Icon
Port R moves away from port C	

When The Motion direction under excitation Parameter Is Set To...	Block Icon
Port R moves towards port C	

The equation of motion for the plunger as a function of position, x , is:

$$F_l + m\ddot{x} + \lambda\dot{x} + kx = F_e$$

where F_e is the electromagnetic force, F_l is the load force, λ is the viscous damping term and m is the plunger mass. The electromagnetic force is related to the solenoid current and inductance by:

$$F_e = \frac{1}{2}i^2 \frac{\partial L(x)}{\partial x}$$

The inductance, which is derived in [1], can be written as:

$$\frac{\partial L(x)}{\partial x} = \frac{-\beta}{(\alpha + \beta x)^2}$$

where α and β are constants. Plugging the preceding equation into the equation for electromagnetic force gives the force-stroke relationship of the solenoid for a current i_0 :

$$F = \frac{1}{2}i_0^2 \frac{-\beta}{(\alpha + \beta x)^2}$$

The Solenoid block solves for α and β by taking the two specified force and stroke measurements and substituting them into the preceding equation. It solves the resulting equations for α and β .

A positive current from the electrical + to - ports creates a negative force (i.e., a pulling force) from the mechanical C to R ports.

Thermal Port

The block has an optional thermal port, hidden by default. To expose the thermal port, right-click the block in your model, and then from the context menu select **Simscape > Block choices > Show thermal port**. This action displays the thermal port **H** on the block icon, and exposes the **Temperature Dependence** and **Thermal Port** parameters.

Use the thermal port to simulate the effects of copper resistance losses that convert electrical power to heat. For more information on using thermal ports and on the **Temperature Dependence** and **Thermal Port** parameters, see "Simulating Thermal Effects in Rotational and Translational Actuators".

Variables

Use the **Variables** section of the block interface to set the priority and initial target values for the block variables prior to simulation. For more information, see "Set Priority and Initial Target for Block Variables".

Use the **Position, X** variable to set the target for the initial plunger position at the start of simulation.

Note The **Position, X** variable is the initial air gap or stroke of the solenoid, and so should be greater than or equal to 0.

Ports

Conserving

+ – Positive terminal

electrical

Electrical conserving port associated with the solenoid positive terminal.

- – Negative terminal

electrical

Electrical conserving port associated with the solenoid negative terminal.

C – Case

mechanical

Mechanical translational conserving port associated with the case.

R – Plunger

mechanical

Mechanical translational conserving port associated with the plunger.

Parameters

Magnetic Force

Motion direction under excitation – Motion direction under excitation

Port R moves towards port C (default) | Port R moves away from port C

Select one of the following options for the type of motion direction under excitation:

- Port R moves away from port C
- Port R moves towards port C

Pull-in forces [F1 F2] – Vector of pull-in forces

[7.5, .75] N (default)

A vector of the force values at the two points on the force-stroke curve. The second measurement point must be at a stroke that is greater than that of the first measurement point. When the manufacturer does not provide a force-stroke curve, set F1 to the holding force (when $X1 = 0$) and F2 to the pull-in force when running the solenoid at the **Rated voltage Vdc** and **Rated current Idc** values.

Stroke (air gap) [X1 X2] – Vector of strokes

[1, 5] mm (default)

A vector of the stroke (plunger distance from the fully closed position) values at the two points on the force-stroke curve. The second measurement point must be at a stroke that is greater than that of the first measurement point. To ensure a finite force value, the points must meet the condition

$$\frac{X2}{X1} > \sqrt{\frac{F1}{F2}}$$

Rated voltage Vdc — Rated voltage

50 V (default)

The voltage at which the solenoid is rated to operate. This voltage value is used to measure the **Forces [F1 F2]** and **Stroke [X1 X2]** values.

Rated current Idc — Rated current

0.05 A (default)

The current that flows when the solenoid is supplied with the **Rated voltage Vdc** voltage.

Mechanical

Spring constant — Spring constant

200 N/m (default)

Constant representing the stiffness of the spring that acts to retract the plunger when the solenoid is powered off. The force is zero when the plunger is displaced to the **Stroke for zero spring force** parameter value. Set the spring constant to zero if there is no spring.

Stroke for zero spring force — Stroke for zero spring force

5 mm (default)

The stroke at which the spring provides no force.

Damping — Damping

1 N/(m/s) (default)

The term λ in the equation of motion for the plunger as a function of position that linearly damps the plunger motion. The value can be zero.

Plunger mass — Plunger mass

0.05 kg (default)

The weight of the solenoid plunger. The value can be zero.

Maximum stroke — Maximum stroke

Inf mm (default)

The maximum amount by which the plunger can be displaced. You can use this parameter to model a hard endstop that limits the stroke. The default value is Inf mm, which means no stroke limit.

Contact stiffness — Contact stiffness

1e6 N/m (default)

Stiffness of the plunger contact that models the hard stop at the minimum ($x = 0$) and maximum ($x =$ **Maximum stroke**) plunger positions.

Contact damping – Contact damping

500 N/(m/s) (default)

Damping of the plunger contact that models the hard stop at the minimum ($x = 0$) and maximum ($x =$ **Maximum stroke**) plunger positions.

References

[1] S.E. Lyshevski. *Electromechanical Systems, Electric Machines, and Applied Mechatronics*. CRC, 1999.

Extended Capabilities

C/C++ Code Generation

Generate C and C++ code using Simulink® Coder™.

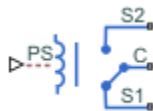
See Also

Introduced in R2008a

SPDT Relay

Single-pole, double-throw relay with delays and faults

Library: Simscape / Electrical / Switches & Breakers / Relays



Description

The SPDT Relay block models a single-pole, double-throw relay. The block has three potential states:

- De-energized — The common contact, **C**, is connected to the normally closed contact, **S1**.
- Energized — The common contact, **C**, is connected to the normally open contact, **S2**.
- Open Circuit — The relay is open. The common contact, **C**, is not connected to the normally closed contact, **S1**, or the normally open contact, **S2**.

You can:

- Control the relay state using the physical signal input port or electrical conserving ports.
- Output the relay state.
- Delay the breaking and making of either or both of the connections.
- Introduce a behavioral or temporal fault that results in a stuck connection, an open circuit, or degraded contact resistance.

Relay State Control

The block has two control variants:

- Physical signal (PS) control — The state of the relay depends on how the value of the input physical signal compares to the relay threshold. The relay threshold, th , is the value that you specify for the **Threshold** parameter.
- Electrical control — The state of the relay depends on how the current through the positive and negative electrical conserving ports, which represent the relay winding, compares to the relay upper and lower thresholds. The upper and lower thresholds depend on the values that you specify for the parameters in the **Winding** settings.

For the PS control variant, at the start of simulation:

- If the input signal, PS , is less than or equal to th , the relay is de-energized and the common contact, **C**, connects to the normally closed contact, **S1**.
- If the input signal, PS , greater than th , the relay is energized and **C** connects to the normally open contact, **S2**.

After the simulation starts, if PS rises above th , the block goes from a de-energized state to an energized state :

- The **C-S1** connection breaks after the delay specified in **Time-to-break C-S1 connection**.
- The **C-S2** connection closes after the delay specified in **Time-to-make C-S2 connection**.

If the block goes from an energized state to a de-energized state, that is *PS* falls to or below *th*:

- The **C-S2** connection breaks after the delay specified in **Time-to-break C-S2 connection**.
- The **C-S1** connection closes after the delay specified in **Time-to-make C-S1 connection**.

For the electrical control variant, the upper and lower thresholds depend on the specified values for the **Rated voltage**, **Percent rated voltage to energize**, **Percent rated voltage to de-energize**, and **Winding series resistance** parameters. The rated current is:

$$i_{rated} = \frac{V_{rated}}{r_{coil}}.$$

The equation for the upper current threshold, $i_{energized}$, is:

$$i_{energized_current} = \frac{Rated\ Voltage * Percent\ rated\ voltage\ to\ energize}{Winding\ series\ resistance}.$$

The equation for the lower current threshold, $i_{de-energized}$, is:

$$i_{de-energized_current} = \frac{Rated\ Voltage * Percent\ rated\ voltage\ to\ de - energize}{Winding\ series\ resistance}.$$

At the start of simulation:

- If the control current is less than $i_{energized}$, the common contact, **C**, connects to the normally closed contact, **S1**.
- If the control current is greater than $i_{energized}$, the relay is energized and **C** connects to the normally open contact, **S2**.

After the start of simulation, if the current rises above $i_{energized}$, the block goes from a de-energized state to an energized state:

- The **C-S1** connection breaks after the delay specified in **Time-to-break C-S1 connection**.
- The **C-S2** connection closes after the delay specified in **Time-to-make C-S2 connection**.

If the current falls below $i_{de-energized}$, the block goes from an energized state to a de-energized state:

- The **C-S2** connection breaks after the delay specified in **Time-to-break C-S2 connection**.
- The **C-S1** connection closes after the delay specified in **Time-to-make C-S1 connection**.

Output the Relay State

To view the relay state, expose port **x**, a physical signal port that outputs the state of each connection. To expose the **x** port, in the **Main** settings, set **State port** to **Visible**.

The table shows how the state of the relay relates to the state of the connections. A closed connection has a state of 1. An open connection has a state of 0.

Relay and Connection States

C-S1 Connection State	C-S2 Connection State	Relay State
1	0	De-energized
0	1	Energized
0	0	Open Circuit

Connection Delays

You can specify delays for making and breaking connections in the **Mechanical** settings. The table shows how the make and brake time delays affect the connections between contacts **S1** and **S2** and the common contact, **C**.

Mechanical Settings		Relay State	C-S1 Connection State	C-S2 Connection State	Results, with C-S1 in Yellow and C-S2 in Blue
Parameter	Value	De-energized	1	0	
Time-to-break C-S1 connection	0	Energized	0	1	
Time-to-make C-S1 connection	0				
Time-to-break C-S2 connection	0				
Time-to-make C-S2 connection	0				
Parameter	Value	De-energized	1	0	
Time-to-break C-S1 connection	> 0				
Time-to-make C-S1 connection	0				
Time-to-break C-S2 connection	0				
Time-to-make C-S2 connection	0				

Mechanical Settings		Relay State	C-S1 Connection State	C-S2 Connection State	Results, with C-S1 in Yellow and C-S2 in Blue
		Energized	1, 0	1	
Parameter	Value	De-energized	0, 1	0	<p>Delay making C-S1</p> <p>PS</p>
Time-to-break C-S1 connection	0	Energized	0	1	
Time-to-make C-S1 connection	> 0				
Time-to-break C-S2 connection	0				
Time-to-make C-S2 connection	0				
Parameter	Value	De-energized	1	1, 0	<p>Delay breaking C-S2</p> <p>PS</p>
Time-to-break C-S1 connection	0	Energized	0	1	
Time-to-make C-S1 connection	0				
Time-to-break C-S2 connection	> 0				
Time-to-make C-S2 connection	0				

Mechanical Settings		Relay State	C-S1 Connection State	C-S2 Connection State	Results, with C-S1 in Yellow and C-S2 in Blue
Parameter	Value	De-nergized	1	0	
Time-to-break C-S1 connection	0	Energized	0	0, 1	
Time-to-make C-S1 connection	0				
Time-to-break C-S2 connection	0				
Time-to-make C-S2 connection	> 0				

Faults

The block provides five fault types:

- C-S1 stuck closed
- C-S2 stuck closed
- C open circuit (no path to S1 or S2)
- Degraded contact resistance
- Winding failed open circuit. This fault type is available only for the electrical control variant.

Each type of fault can take effect only when the threshold for a temporal or behavioral trigger is exceeded.

C-S1 Stuck Closed Fault

The **C-S1** stuck closed fault occurs if the common contact, **C**, becomes mechanically, electrically, or chemically stuck to the normally closed contact, **S1**. Causes of this type of fault include:

- 1 Contact welding, possibly due to an inrush current or breaking current that exceeds the rating or load short circuit.
- 2 Mechanical damage.
- 3 Insulation deterioration.
- 4 Inductive voltage.

The table shows the faulted state for a **C-S1** stuck closed fault.

Connection	State
C-S1	1
C-S2	0

A **C-S1** stuck closed temporal fault can occur only if the simulation time exceeds the time threshold such that

$$t > t_{th_t},$$

where:

- t is the simulation time.
- t_{th_t} is the specified value for the **Simulation time after which contactors can stick** parameter.

A **C-S1** stuck closed behavioral fault can occur only if the load current exceeds the current threshold for a period of time that exceeds the behavioral trigger time threshold. That is, the behavioral fault can occur only if:

$$i_{load} > i_{th},$$

and

$$t_{i > i_{th}} > t_{th_b},$$

where:

- i_{load} is the load current.
- i_{th} is the specified value for the **Maximum permissible load current** parameter.
- $t_{i > i_{th}}$ is the time that the current threshold is exceeded.
- t_{th_b} is the specified value for the **Time to fail when exceeding current** parameter.

When the temporal or behavioral fault thresholds are exceeded, if **C-S1** is:

- Closed — **C-S1** remains closed for the rest of the simulation.
- Open — **C-S1** the fault does not take effect unless the relay becomes de-energized and the **C-S1** connection closes. Once closed, the **C-S1** connection remains closed for the rest of the simulation.

C-S2 Stuck Closed Fault

The **C-S2** stuck closed fault occurs if the common contact, **C**, becomes mechanically, electrically, or chemically stuck to the normally closed contact, **S2**. Causes of this type of fault include:

- 1 Contact welding, possibly due to an inrush current or breaking current that exceeds the rating or load short circuit.
- 2 Mechanical damage.
- 3 Insulation deterioration.

The table shows the faulted state for a **C-S2** stuck closed fault.

Connection	State
C-S1	0

Connection	State
C-S2	1

A **C-S2** stuck closed temporal fault can occur only if the simulation time exceeds the time threshold such that:

$$t > t_{th_t},$$

where:

- t is the simulation time.
- t_{th_t} is the specified value for the **Simulation time after which contactors can stick** parameter.

A **C-S2** stuck closed behavioral fault can occur only if the load current exceeds the current threshold for a period of time that exceeds the behavioral trigger time threshold. That is, the behavioral fault can occur only if:

$$i_{load} > i_{th},$$

and

$$t_i > i_{th} > t_{th_b},$$

where:

- i_{load} is the load current.
- i_{th} is the specified value for the **Maximum permissible load current** parameter.
- $t_{i>i_{th}}$ is the time that the current threshold is exceeded.
- t_{th_b} is the specified value for the **Time to fail when exceeding current** parameter.

When the temporal or behavioral fault thresholds are exceeded, if **C-S2** is:

- Closed — **C-S2** remains closed for the rest of the simulation.
- Open — The **C-S2** the fault does not take effect unless the relay becomes energized and the **C-S2** connection closes. Once closed, the **C-S2** connection remains closed for the rest of the simulation.

C Open Circuit (No Path to S1 or S2) Fault

The **C** open circuit (no path to **S1** or **S2**) fault occurs if the common contact, **C**, becomes mechanically stuck in an open position. This type of fault can happen if:

- There is contact damage or deterioration.
- The switch connector becomes mechanically stuck in the middle of the relay.

The table shows the faulted state for a **C** open circuit (no path to **S1** or **S2**) fault.

Connection	State
C-S1	0
C-S2	0

A **C** open circuit temporal fault can occur only if the simulation time exceeds the time threshold such that

$$t > t_{th_t},$$

where:

- t is the simulation time.
- t_{th_t} is the specified value for the **Simulation time after which C can be open circuit** parameter.

A **C** open circuit behavioral fault can occur only if the load current exceeds the current threshold for a period of time that exceeds the behavioral trigger time threshold. That is, the behavioral fault can occur only if:

$$i_{load} > i_{th},$$

and

$$t_{i > i_{th}} > t_{th_b},$$

where:

- i_{load} is the load current.
- i_{th} is the specified value for the **Maximum permissible load current** parameter.
- $t_{i > i_{th}}$ is the period of time during which the current threshold is exceeded.
- t_{th_b} is the specified value for the **Time to fail when exceeding current** parameter.

When the temporal fault threshold is exceeded, if:

- The relay is in the open-circuit state, that is, one connection has been broken, and the other connection has not yet been made, the relay remains open for the rest of the simulation.
- Either the **C-S1** or **C-S2** connection is closed, the fault does not take effect unless the relay is energized or de-energized and the closed connection is broken. If the connection is broken, the relay becomes an open-circuit, and remains open for the rest of the simulation.

When the behavioral fault thresholds are exceeded, if:

- The relay is in the open-circuit state, that is, one connection has been broken, and the other connection has not yet been made, the relay remains open for the rest of the simulation.
- Either the **C-S1** or **C-S2** connection is closed, the relay state immediately becomes an open circuit and remains an open circuit for the rest of the simulation.

Degraded Contact Resistance Fault

Causes of the degraded contact resistance fault include:

- 1** Overuse-induced overload conditions. High inrush currents and voltages can cause overload conditions, as can excessive switching of the relay. Overload conditions ultimately trigger electrical arcing, which generates heat that degrades the contact material.
- 2** Chemical contamination that interferes with the operation of the relay contacts. Contaminants, which can include oxidation films or foreign particles, tend to produce high or unstable contact resistance readings.
- 3** End of relay life.

The table shows the faulted state for a degraded contact resistance fault.

Connection	State
C-S1	0 or 1. The contact resistance is degraded.
C-S2	0 or 1. The contact resistance is degraded.

A degraded contact resistance temporal fault can occur only if the simulation time exceeds the time threshold such that

$$t > t_{th_t},$$

where:

- t is the simulation time.
- t_{th_t} is the specified value for the **Simulation time for fault event** parameter.

The degraded contact resistances of **S1** and **S2** are:

$$r_{contact_s1}(t) = r_{contact_fault_s1} - (r_{contact_fault_s1} - r_{contact})sech\left(\frac{t - t_{th_t}}{\tau}\right),$$

$$r_{contact_s2}(t) = r_{contact_fault_s2} - (r_{contact_fault_s2} - r_{contact})sech\left(\frac{t - t_{th_t}}{\tau}\right),$$

where:

- $r_{contact_fault_s1}$ is the final value of the faulted **S1** contact resistance.
- $r_{contact_fault_s2}$ is the final value of the faulted **S2** contact resistance.
- $r_{contact}$ is the unfaulted **S1** and **S2** contact resistance.

A degraded contact resistance behavioral fault can occur only if the load current exceeds the current threshold for a period of time that exceeds the behavioral trigger time threshold. That is, the behavioral fault can occur only if:

$$i_{S1 - C} > i_{th},$$

and

$$t_{i1 > i_{th}} > t_{th_b},$$

where:

- i_{load} is the load current.
- i_{th} is the specified value for the **Maximum permissible load current** parameter.
- $t_{i1 > i_{th}}$ is the period of time during which the current threshold for the connection **C-S1** is exceeded.
- t_{th_b} is the specified value for the **Time to fail when exceeding current** parameter.

For a behavior-triggered fault, if $i_{S1 - C} > i_{th}$ continuously over the time interval t_{th_b} ,

$$r_{contact_s1}(t) = r_{contact_fault_s1} - (r_{contact_fault_s1} - r_{contact})sech\left(\frac{t_{i1 > i_{th}} - t_{th_b}}{\tau}\right),$$

where:

- i_{S1-C} is the common contact to normally closed contact, **C-S1**, current.
- i_{th} is the specified value for the **Maximum permissible load current** parameter.
- t_{th_b} is the specified value for the **Time to fail when exceeding current** parameter.
- $r_{contact_fault_s1}$ is the final value of the faulted **S1** contact resistance.
- $r_{contact}$ is the unfaulted **S1** contact resistance.
- τ is specified value for the **Time constant for degraded contact resistance** parameter.

Likewise, for a **C-S2** connection, if

$$i_{S2-C} > i_{th}$$

and

$$t_{i2} > i_{th} > t_{th_b},$$

then the degraded contact resistance is:

$$r_{contact_s2}(t) = r_{contact_fault_s2} - (r_{contact_fault_s2} - r_{contact}) \operatorname{sech}\left(\frac{t_{i2} > i_{th} - t_{th_b}}{\tau}\right),$$

where:

- i_{S2-C} is the common contact to normally closed contact, **C-S2**, current.
- $r_{contact_fault_s2}$ is the final value of the faulted **S2** contact resistance

When the temporal fault threshold is exceeded, for both the **C-S1** and the **C-S2** connections, the contact resistance is immediately degraded and remains degraded for the rest of the simulation.

When the behavioral fault thresholds are exceeded for **C-S1**, in terms of i_{S1-C} , the resistance for the **C-S1** connection is degraded after the specified value for the **Time to fail when exceeding current** parameter and remains degraded for the rest of the simulation.

When the behavioral fault thresholds are exceeded for **C-S2**, in terms of i_{S2-C} , the resistance for the **C-S2** connection is degraded after the specified value for the **Time to fail when exceeding current** parameter and remains degraded for the rest of the simulation.

Winding failed open circuit

The open-circuit winding fault is available only for the electrical control variant. An open circuit in the winding coil can cause this type of fault.

The table shows the faulted state for a winding failed open circuit fault.

Connection	State
C-S1	1
C-S2	0

A winding failed open circuit temporal fault can occur only if the simulation time exceeds the time threshold such that

$$t > t_{th_t},$$

where:

- t is the simulation time.
- t_{th_t} is the specified value for the **Simulation time for fault event** parameter.

For time fault, the relay switches depending on the winding current, which is approximated as:

$$L \frac{di}{dt} + Ri = v_{winding} * \operatorname{sech}\left(\frac{t - t_{th_t}}{\tau}\right),$$

where :

- L is the winding inductance.
- R is the winding resistance.
- i is the winding current.
- $v_{winding}$ is the voltage across the winding.
- t_{th_t} is the specified value for the **Simulation time for fault event** parameter.
- τ is the specified value for the **Time constant for winding open circuit transition** parameter.

A winding failed open circuit behavioral fault can occur only if one of these conditions is met:

- The winding current exceeds the current threshold for a period of time that exceeds the behavioral trigger time threshold.
- The winding voltage exceeds the voltage threshold for a number of times that exceeds the threshold for the number of voltage overloads.

That is, the behavioral fault can occur only if:

$$i_{winding} > i_{th}$$

and then

$$t_i > i_{th} > t_{th_b},$$

where:

- $i_{winding}$ is the winding current.
- i_{th} is the specified value for the **Maximum permissible winding current** parameter.
- $t_{i>i_{th}}$ is the time that the current threshold is exceeded.
- t_{th_b} is the specified value for the **Time to fail when exceeding current** parameter.

or if:

$$v_{winding} > v_{th},$$

and then

$$N_v > v_{th} > N_{th},$$

where:

- $v_{winding}$ is the winding voltage.
- v_{th} is the specified value for the **Maximum permissible winding voltage** parameter.

- $N_{v > v_{th}}$ is the number of times that the voltage threshold is exceeded.
- N_{th} is the specified value for the **Number of events to fail when exceeding voltage** parameter.

If the temporal or behavioral fault thresholds are exceeded, the **C-S1** remains closed for the rest of the simulation

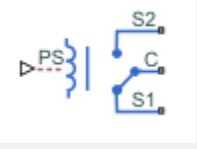
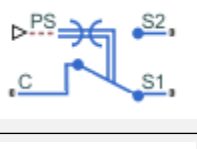
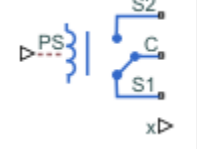
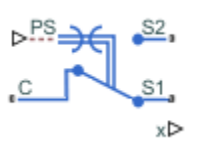
Limitations and Assumptions

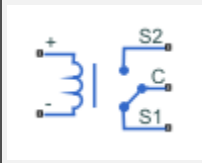
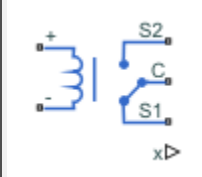
- For behavioral faults, if **time to fail when exceeding the current** threshold is greater than the time between switching events, no fault is triggered because the accumulated heat is not adequate for melting or breaking the contacts or windings.
- The energize and de-energize delays can differ, but the energize delay must be greater than or equal to the de-energize delay.

Ports

The type, visibility, and location of the block ports depend on how you configure these parameters in the **Main** settings:

- **Control port** — Choose between a physical signal input port, **PS**, or electrical conserving ports, + and -, for relay control.
- **State port** — Set the visibility for the relay state physical signal output port, **x**.
- **Common port** — Set the location of the common port, **C**, relative to the contact ports **S1** and **S2**.

Control port	State port	Common port	Block
PS	Hidden	Adjacent to switch ports	
		Adjacent to switch ports	
	Visible	Across from switch ports	
		Across from switch ports	

Control port	State port	Common port	Block
Electrical	Hidden	Not applicable	
	Visible	Not applicable	

Input

PS – Physical signal control

physical signal

Physical signal input port that energizes and de-energizes the relay.

Dependencies

This port is visible only when, in the **Main** settings, the **Control port** parameter is set to PS.

Output

x – Relay state

physical signal

State of the relay in terms of the **C-S1** and **C-S2** connections:

- 1 – Closed connection
- 0 – Open connection

Dependencies

This port is visible only when, in the **Main** settings, the **State port** parameter is set to Visible.

Conserving

S1 – Normally closed contact

electrical

Electrical conserving port associated with the normally closed contact.

C – Common contact

electrical

Electrical conserving port associated with the common contact.

S2 – Normally open contact

electrical

Electrical conserving port associated with the normally open contact.

+ – Winding positive terminal

electrical

Electrical conserving port associated with the winding positive voltage terminal. The current through the winding controls the relay state.

Dependencies

This port is visible only when, in the **Main** settings, the **Control port** parameter is set to **Electrical**.

- – Winding negative terminal

electrical

Electrical conserving port associated with the winding negative voltage terminal. The current through the winding controls the relay state.

Dependencies

This port is visible only when, in the **Main** settings, the **Control port** parameter is set to **Electrical**.

Parameters**Main****Control port – Input port choice**

PS (default) | Electrical

Relay state control method:

- PS — **PS** physical signal input port
- Electrical — + and - electrical conserving ports associated with the relay winding terminals

Dependencies

If this parameter is set to:

- PS — The **PS** port and related parameters in the **Main** and **Faults** settings are visible. For more information, see Control Port Parameter Dependencies.
- Electrical — The + and - ports, related parameters in the **Main** and **Faults** settings, and the **Windings** settings are visible. For more information, see Control Port Parameter Dependencies, Faults Parameter Dependencies, and “Winding” on page 1-1679.

The table shows how this parameter affects the visibility of other parameters in the **Main** settings. To learn how to read the table, see “Parameter Dependencies” on page A-2.

Control Port Parameter Dependencies

Control port	
PS	Electrical
Closed resistance	Closed resistance
Open conductance	Open conductance
Threshold	
State port	State port
Common port	

Closed resistance – Connected contact resistance

0.01 Ohm (default) | positive scalar

Resistance across closed relay contacts. The parameter value must be greater than zero.

Open conductance – Open-circuit conductance

1e-8 1/Ohm (default) | positive scalar

Conductance across open relay contacts. The parameter value must be greater than zero.

Threshold – Relay threshold

0 (default) | nonnegative scalar

If the physical signal input is above the threshold value, the relay is energized. Conversely, if the physical signal input falls is the threshold value, the relay is de-energized.

Dependencies

This parameter is visible only if the **Control port** parameter is set to PS.

State port – Relay state output port visibility

Hidden (default) | Visible

Visibility of the physical signal port that outputs the relay state. The port outputs a vector of length two, with the first element corresponding to the **C-S1** connection and the second to the **C-S2** connection. The elements are 1 if the corresponding connection is closed, and 0 otherwise.

Dependencies

The **x** port is visible only if this parameter is set to Visible.

Common port – Common port location

Adjacent to switch ports (default) | Across from switch ports

Location of the common port, **C**, relative to the **S1** and **S2** ports.

Dependencies

This parameter is visible only if the **Control port** parameter is set to PS.

Winding

The **Winding** settings are visible only if, in the **Main** settings, the **Control port** parameter is set to Electrical. For more information, see “Control port” on page 1-0 .

Rated voltage — Rated voltage

5 V (default) | positive scalar

Standard voltage applied to the operating coil under normal operating conditions. The current threshold depends on the value of this parameter.

Dependencies

This parameter is visible only if, in the **Main** settings, the **Control port** parameter is set to **Electrical**. For more information, see “Control port” on page 1-0 .

Percent rated voltage to energize — Percent rated voltage to energize

75 (default) | positive scalar

Minimum percent of the rated voltage required to energize the relay. The current threshold depends on the value of this parameter.

Dependencies

This parameter is visible only if, in the **Main** settings, the **Control port** parameter is set to **Electrical**. For more information, see “Control port” on page 1-0 .

Percent rated voltage to de-energize — Percent rated voltage to de-energize

25 (default) | positive scalar

Percent of the rated voltage required to de-energize the relay. The current threshold depends on the value of this parameter.

Dependencies

This parameter is visible only if, in the **Main** settings, the **Control port** parameter is set to **Electrical**. For more information, see “Control port” on page 1-0 .

Winding inductance — Winding inductance

0.08 H (default) | positive scalar

Winding inductance.

Dependencies

This parameter is visible only if, in the **Main** settings, the **Control port** parameter is set to **Electrical**. For more information, see “Control port” on page 1-0 .

Winding series resistance — Winding series resistance

12.5 0hm (default) | positive scalar

Resistance between the winding terminals. The current threshold depends on the value of this parameter.

Dependencies

This parameter is visible only if, in the **Main** settings, the **Control port** parameter is set to **Electrical**. For more information, see “Control port” on page 1-0 .

Winding parallel conductance — Winding parallel conductance

1e-9 1/0hm (default) | positive scalar

Winding conductance.

Dependencies

This parameter is visible only if, in the **Main** settings, the **Control port** parameter is set to **Electrical**. For more information, see “Control port” on page 1-0 .

Mechanical

Time-to-break C-S1 connection — Delay time for breaking connection C-S1

0 s (default) | nonnegative scalar

Mechanical switching time for breaking the connection between ports **C** and **S1** when the relay is energized.

Time-to-make C-S1 connection — Delay time for making connection C-S1

0 s (default) | nonnegative scalar

Mechanical switching time for making the connection between ports **C** and **S1** when the relay is de-energized.

Time-to-break C-S2 connection — Delay time for breaking connection C-S2

0 s (default) | nonnegative scalar

Mechanical switching time for breaking the connection between ports **C** and **S2** when the relay is energized.

Time-to-make C-S2 connection — Delay time for making connection C-S2

0 s (default) | nonnegative scalar

Mechanical switching time for making the connection between ports **C** and **S2** when the relay is de-energized.

Faults

The table shows how the specified options for certain parameters in the **Faults** settings affect the visibility of other parameters in the **Faults** settings. To learn how to read the table, see “Parameter Dependencies” on page A-2.

Note The **Fault type** parameter is visible only if, in the **Main** settings, the **Control Port** parameter is set to **Electrical**. For more information, see “Control port” on page 1-0 .

Faults Parameter Dependencies

Faults																				
Enable faults																				
No	Yes																			
	Reporting when a fault occurs																			
	Fault type																			
	Switch fault												Winding failed open circuit							
	Switch fault																			
	C-S1 stuck closed				C-S2 stuck closed				C open circuit (no path to S1 or S2)				Degraded contact resistance							
													Degraded contact resistance C-S1							
													Degraded contact resistance C-S2							
													Time constant for degraded contact resistance				Time constant for winding open circuit transition			
	Enable temporal fault trigger				Enable temporal fault trigger				Enable temporal fault trigger				Enable temporal fault trigger				Enable temporal fault trigger			
	No		Yes		No		Yes		No		Yes		No		Yes		No		Yes	
			Simulation time after which contactors can stick				Simulation time after which contactors can stick				Simulation time after which C can be open circuit				Simulation time for fault event				Simulation time for fault event	
	Enable behavioral fault trigger		Enable behavioral fault trigger		Enable behavioral fault trigger		Enable behavioral fault trigger		Enable behavioral fault trigger		Enable behavioral fault trigger		Enable behavioral fault trigger		Enable behavioral fault trigger		Enable behavioral fault trigger		Enable behavioral fault trigger	
	No	Yes	No	Yes	No	Yes	No	Yes	No	Yes	No	Yes	No	Yes	No	Yes	No	Yes	No	Yes

Faults																
		Maximum permissible load current		Maximum permissible load current		Maximum permissible load current		Maximum permissible load current		Maximum permissible load current		Maximum permissible load current		Maximum permissible load current	Maximum permissible winding voltage	Maximum permissible winding voltage
															Number of events to fail when exceeding voltage	Number of events to fail when exceeding voltage
															Maximum permissible winding current	Maximum permissible winding current

Faults																		
		Ti me to fail wh en exc eed ing cur ren t		Ti me to fail wh en exc eed ing cur ren t		Ti me to fail wh en exc eed ing cur ren t		Ti me to fail wh en exc eed ing cur ren t		Ti me to fail wh en exc eed ing cur ren t		Ti me to fail wh en exc eed ing cur ren t		Ti me to fail wh en exc eed ing cur ren t		Ti me to fail wh en exc eed ing cur ren t		Ti me to fail wh en exc eed ing cur ren t

Enable faults – Whether to model faults

No (default) | Yes

Whether to model faults.

Dependencies

If this parameter is set to Yes, related parameters are visible. For more information, see Faults Parameter Dependencies.

Reporting when a fault occurs – Reporting when a fault occurs

None (default) | Warn | Error

Simulation reporting when a fault occurs:

- None — Does not generate a warning or an error.
- Warn — Generates a warning.
- Error — The simulation stops and generates an error.

Dependencies

This parameter is visible only if the **Enable faults** parameter is set to Yes. For more information, see Faults Parameter Dependencies.

Fault type – Fault model

Winding failed open circuit (default) | Switch fault

Fault type.

Dependencies

This parameter is visible only if, in the **Main** settings, the **Control port** parameter is set to **Electrical** and, in the **Faults** settings, the **Enable faults** parameter is set to **Yes**. For more information, see “Control port” on page 1-0 and Faults Parameter Dependencies.

The specified option for this parameter affects the visibility of other parameters in the **Faults** settings. For more information, see Faults Parameter Dependencies.

Switch fault – Switch fault model

C-S1 stuck closed (default) | C-S2 stuck closed | C open circuit (no path to S1 or S2) | Degraded contact resistance

Switch fault model.

Dependencies

This parameter is visible only if either of these conditions are met:

- In the **Main** settings, the **Control port** parameter is set to PS and, in the **Faults** settings, the **Enable faults** parameter is set to Yes.
- In the **Main** settings, the **Control port** parameter is set to Electrical, and in the **Faults** settings, the **Enable faults** parameter is set to Yes and the **Fault type** parameter is set to Switch fault.

For more information, see “Control port” on page 1-0 and Faults Parameter Dependencies.

Degraded contact resistance C-S1 — Degraded contact resistance C-S1

1e-9 Ohm (default) | positive scalar

Degraded resistance of the faulted **S1** contact.

Dependencies

This parameter is visible only if either one of these two sets of conditions is met:

Condition Set One

- In the **Main** settings, the **Control port** parameter is set to PS.
- In the **Faults** settings:
 - The **Enable faults** parameter is set to Yes.
 - The **Switch fault** parameter is set to Degraded contact resistance.

Condition Set Two

- In the **Main** settings, the **Control port** parameter is set to Electrical.
- In the **Faults** settings:
 - The **Enable faults** parameter is set to Yes.
 - The **Fault type** parameter is set to Switch fault.
 - The **Switch fault** parameter is set to Degraded contact resistance.

For more information, see “Control port” on page 1-0 and Faults Parameter Dependencies.

Degraded contact resistance C-S2 — Degraded contact resistance C-S2

1e-9 Ohm (default) | positive scalar

Degraded resistance of the faulted **S2** contact.

Dependencies

This parameter is visible only if either one of these two sets of conditions is met:

Condition Set One

- In the **Main** settings, the **Control port** parameter is set to PS.

- In the **Faults** settings:
 - The **Enable faults** parameter is set to Yes.
 - The **Switch fault** parameter is set to Degraded contact resistance.

Condition Set Two

- In the **Main** settings, the **Control port** parameter is set to Electrical.
- In the **Faults** settings:
 - The **Enable faults** parameter is set to Yes.
 - The **Fault type** parameter is set to Switch fault.
 - The **Switch fault** parameter is set to Degraded contact resistance.

For more information, see “Control port” on page 1-0 and Faults Parameter Dependencies.

Time constant for degraded contact resistance – Time constant for degraded contact resistance

1e-3 (default) | positive scalar

Time constant for contact resistance to fall into degraded status. The degraded contact resistances for **S1** and **S2** have the same time constant.

Dependencies

This parameter is visible only if either one of these two sets of conditions is met:

Condition Set One

- In the **Main** settings, the **Control port** parameter is set to PS.
- In the **Faults** settings:
 - The **Enable faults** parameter is set to Yes.
 - The **Switch fault** parameter is set to Degraded contact resistance.

Condition Set Two

- In the **Main** settings, the **Control port** parameter is set to Electrical.
- In the **Faults** settings:
 - The **Enable faults** parameter is set to Yes.
 - The **Fault type** parameter is set to Switch fault.
 - The **Switch fault** parameter is set to Degraded contact resistance.

For more information, see “Control port” on page 1-0 and Faults Parameter Dependencies.

Time constant for winding open circuit transition – Time constant for winding open circuit transition

1e-3 s (default) | positive scalar

Time constant for the winding open circuit transition.

Dependencies

This parameter is visible only if all of these conditions are met:

- In the **Main** settings, the **Control port** parameter is set to Electrical.
- In the **Faults** settings:
 - The **Enable faults** parameter is set to Yes.
 - The **Fault type** parameter is set to Winding failed open circuit.

For more information, see “Control port” on page 1-0 and Faults Parameter Dependencies.

Enable temporal fault trigger – Whether to enable a temporal fault trigger

No (default) | Yes

Whether to enable a temporal fault trigger.

Dependencies

This parameter is visible only if the **Enable faults** parameter is set to Yes.

If this parameter is set to Yes, related parameters become visible.

For more information, see Faults Parameter Dependencies.

Simulation time after which contactors can stick – Simulation time after which the S1 or S2 contact can stick closed

1 s (default) | positive scalar

Simulation time after which the **S1** or **S2** contact can stick closed for a C-S1 stuck closed or C-S2 stuck closed fault.

Dependencies

This parameter is visible only if either one of these two sets of conditions is met:

Condition Set One

- In the **Main** settings, the **Control port** parameter is set to PS.
- In the **Faults** settings:
 - The **Enable faults** parameter is set to Yes.
 - The **Switch fault** parameter is set to either C-S1 stuck closed or C-S2 stuck closed.
 - The **Enable temporal fault trigger** parameter is set to Yes.

Condition Set Two

- In the **Main** settings, the **Control port** parameter is set to Electrical.
- In the **Faults** settings:
 - The **Enable faults** parameter is set to Yes.
 - The **Fault type** parameter is set to Switch fault.
 - The **Switch fault** parameter is set to either C-S1 stuck closed or C-S2 stuck closed.

- The **Enable temporal fault trigger** parameter is set to Yes.

For more information, see “Control port” on page 1-0 and Faults Parameter Dependencies.

Simulation time after which C can be open circuit – Simulation time after which the relay can be faulted to the open- circuit state

1 s (default) | positive scalar

Simulation time after which, for the C open circuit (no path to S1 or S2) fault, the relay can be faulted to the open- circuit state.

Dependencies

This parameter is visible only if either one of these two sets of conditions is met:

Condition Set One

- In the **Main** settings, the **Control port** parameter is set to PS.
- In the **Faults** settings:
 - The **Enable faults** parameter is set to Yes.
 - The **Switch fault** parameter is set to C open circuit (no path to S1 or S2).
 - The **Enable temporal fault trigger** parameter is set to Yes.

Condition Set Two

- In the **Main** settings, the **Control port** parameter is set to Electrical.
- In the **Faults** settings:
 - The **Enable faults** parameter is set to Yes.
 - The **Fault type** parameter is set to Switch fault.
 - The **Switch fault** parameter is set to C open circuit (no path to S1 or S2).
 - The **Enable temporal fault trigger** parameter is set to Yes.

For more information, see “Control port” on page 1-0 and Faults Parameter Dependencies.

Simulation time for fault event – Simulation time for winding fault or degraded resistance fault

1 s (default) | nonnegative scalar

Simulation time after which a fault can occur for either a Degraded contact resistance or a Winding failed open circuit fault.

Dependencies

This parameter is visible only if either one of these three sets of conditions is met:

Condition Set One

- In the **Main** settings, the **Control port** parameter is set to PS.
- In the **Faults** settings:
 - The **Enable faults** parameter is set to Yes.

- The **Switch fault** parameter is set to Degraded contact resistance.
- The **Enable temporal fault trigger** parameter is set to Yes.

Condition Set Two

- In the **Main** settings, the **Control port** parameter is set to Electrical.
- In the **Faults** settings:
 - The **Enable faults** parameter is set to Yes.
 - The **Fault type** parameter is set to Switch fault.
 - The **Switch fault** parameter is set to Degraded contact resistance.
 - The **Enable temporal fault trigger** parameter is set to Yes.

Condition Set Three

- In the **Main** settings, the **Control port** parameter is set to Electrical.
- In the **Faults** settings:
 - The **Enable faults** parameter is set to Yes.
 - The **Fault type** parameter is set to Winding failed open circuit.
 - The **Enable temporal fault trigger** parameter is set to Yes.

For more information, see “Control port” on page 1-0 and Faults Parameter Dependencies.

Enable behavioral fault trigger — Whether to enable a behavioral fault trigger

No (default) | Yes

Whether to enable a behavioral fault trigger.

Dependencies

This parameter is visible only if the **Enable faults** parameter is set to Yes.

If this parameter is set to Yes, related parameters become visible.

For more information, see Faults Parameter Dependencies.

Maximum permissible load current — Maximum permissible load current

inf A (default) | positive scalar

Upper load-current threshold for degraded contact resistance and open-circuit winding faults.

Dependencies

This parameter is visible only if either one of these two sets of conditions is met:

Condition Set One

- In the **Main** settings, the **Control port** parameter is set to PS.
- In the **Faults** settings:
 - The **Enable faults** parameter is set to Yes.
 - The **Enable behavioral fault trigger** parameter is set to Yes.

Condition Set Two

- In the **Main** settings, the **Control port** parameter is set to Electrical.
- In the **Faults** settings:
 - The **Enable faults** parameter is set to Yes.
 - The **Fault type** parameter is set to Switch fault.
 - The **Enable behavioral fault trigger** parameter is set to Yes.

For more information, see “Control port” on page 1-0 and Faults Parameter Dependencies.

Maximum permissible winding voltage – Maximum permissible winding voltage

inf V (default) | positive scalar

Maximum voltage for the relay winding, above which a fault may be triggered.

Dependencies

This parameter is visible only if:

- In the **Main** settings, the **Control port** parameter is set to Electrical.
- In the **Faults** settings:
 - The **Enable faults** parameter is set to Yes.
 - The **Fault type** parameter is set to Winding failed open circuit.
 - The **Enable behavioral fault trigger** parameter is set to Yes.

For more information, see “Control port” on page 1-0 and Faults Parameter Dependencies.

Number of events to fail when exceeding voltage – Number of events to fail when exceeding voltage

1 (default) | positive scalar integer

Number of times the relay must exceed the winding voltage threshold before a Winding failed open circuit fault is triggered.

Dependencies

This parameter is visible only if:

- In the **Main** settings, the **Control port** parameter is set to Electrical.
- In the **Faults** settings:
 - The **Enable faults** parameter is set to Yes.
 - The **Fault type** parameter is set to Winding failed open circuit.
 - The **Enable behavioral fault trigger** parameter is set to Yes.

For more information, see “Control port” on page 1-0 and Faults Parameter Dependencies.

Maximum permissible winding current – Maximum permissible winding current

inf A (default) | positive scalar

Winding current threshold for triggering a behavioral Winding failed open circuit fault.

Dependencies

This parameter is visible only if:

- In the **Main** settings, the **Control port** parameter is set to Electrical.
- In the **Faults** settings:
 - The **Enable faults** parameter is set to Yes.
 - The **Fault type** parameter is set to Winding failed open circuit.
 - The **Enable behavioral fault trigger** parameter is set to Yes.

For more information, see “Control port” on page 1-0 and Faults Parameter Dependencies.

Time to fail when exceeding current – Time to fail when exceeding current

1 s (default) | positive scalar

Amount of time that the load or winding current must continuously exceed the maximum permissible current before a behavioral fault is triggered.

Dependencies

This parameter is visible only if both of these conditions are met:

- The **Enable faults** parameter is set to Yes.
- The **Enable behavioral fault trigger** parameter is set to Yes.

For more information, see “Control port” on page 1-0 and Faults Parameter Dependencies.

Extended Capabilities

C/C++ Code Generation

Generate C and C++ code using Simulink® Coder™.

See Also

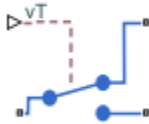
SPDT Switch | SPST Relay | SPST Switch (Three-Phase)

Introduced in R2019b

SPDT Switch

Single-pole double-throw switch

Library: Simscape / Electrical / Switches & Breakers



Description

The SPDT Switch block models a single-pole double-throw switch:

- When the switch is open, port **p** is connected to port **n1**.
- When the switch is closed, port **p** is connected to port **n2**.



Open connections are modeled by a resistor with value equal to the reciprocal of the **Open conductance** parameter value. Closed connections are modeled by a resistor with value equal to the **Closed resistance** parameter value.

If the **Threshold width** parameter is set to zero, the switch is closed if the voltage presented at the **vT** control port exceeds the value of the **Threshold** parameter.

If the **Threshold width** parameter is greater than zero, then switch conductance G varies smoothly between off-state and on-state values:

$$G = \frac{x}{R_{closed}} + (1 - x)G_{open}$$

$$\lambda = \frac{vT - \text{Threshold}}{\text{Threshold width}}$$

$$x = \begin{cases} 0 & \text{for } \lambda \leq 0 \\ 3\lambda^2 - 2\lambda^3 & \text{for } 0 < \lambda < 1 \\ 1 & \text{for } \lambda \geq 1 \end{cases}$$

The block uses the function $3\lambda^2 - 2\lambda^3$ because its derivative is zero for $\lambda = 0$ and $\lambda = 1$.

Defining a small positive **Threshold width** can help solver convergence in some models, particularly if the control port signal vT varies continuously as a function of other network variables. However, defining a nonzero threshold width precludes the solver making use of switched linear optimizations. Therefore, if the rest of your network is switched linear, set **Threshold width** to zero.

Optionally, you can add a delay between the point at which the voltage at **vT** passes the threshold and the switch opening or closing. To enable the delay, on the **Dynamics** tab, set the **Model dynamics** parameter to `Model turn-on and turn-off times`.

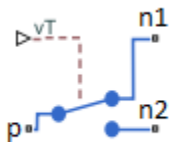
Modeling Variants

The block provides two modeling variants. To select the desired variant, right-click the block in your model. From the context menu, select **Simscape > Block choices**, and then one of these variants:

- **PS control port** — The block contains a physical signal port that is associated with the threshold voltage. This variant is the default.
- **Electrical control port** — The block contains electrical conserving ports that are associated with the threshold voltage.

Ports

Refer to the figure for port locations.



Input

vT — Switch control port

physical signal

Physical port associated with the signal that opens and closes the switch.

Dependencies

This port is visible only when **Block Choice** is set to `PS control port`.

Conserving

p — Electrical port

electrical

Electrical conserving port.

n1 — Electrical port

electrical

Electrical conserving port.

n2 — Electrical port

electrical

Electrical conserving port.

+ – Electrical port

electrical

Electrical conserving port for the positive voltage associated with opening and closing the switch.

Dependencies

This port is visible only when **Block Choice** is set to `Electrical control port`.

- – Electrical port

electrical

Electrical conserving port for the negative voltage associated with opening and closing the switch.

Dependencies

This port is visible only when **Block Choice** is set to `Electrical control port`.

Parameters**Main****Closed resistance – Closed resistance**`0.01 Ohm (default) | positive scalar`

Resistance between the **p** port and ports **n1** and **n2** when the switch is closed. The value must be greater than zero.

Open conductance – Open conductance`1e-6 S (default) | positive scalar`

Conductance between the **p** port and ports **n1** and **n2** when the switch is open. The value must be greater than zero.

Threshold – Threshold voltage`0.5 V (default)`

The threshold voltage above which the switch will turn on.

Threshold width – Threshold width`0 V (default)`

The minimum voltage increase above the threshold value that will move the switch from fully open to fully closed.

Dynamics**Model dynamics – Model dynamics**`No dynamics (default) | Model turn-on and turn-off times`

Select whether the block models a switching delay:

- `No dynamics` — Do not model the delay. This is the default option.
- `Model turn-on and turn-off times` — Use additional parameters to model a delay between the point at which the voltage at **vT** or **+** and **-** passes the threshold and the switch opening or closing.

Turn-on delay — Turn-on delay

1e-3 (default) | positive scalar

Time between the input voltage exceeding the threshold voltage and the switch closing. The value must be greater than zero.

Dependencies

This parameter is visible only when you select Model turn-on and turn-off times for the **Model dynamics** parameter.

Turn-off delay — Turn-off delay

1e-3 (default) | positive scalar

Time between the input voltage falling below the threshold voltage and the switch opening. The value must be greater than zero.

Dependencies

This parameter is visible only when you select Model turn-on and turn-off times for the **Model dynamics** parameter.

Initial input value, v_T — Initial input value, v_T

0 (default)

The value of the physical signal input v_T at time zero. This value is used to initialize the delayed control voltage parameter internally.

Dependencies

This parameter is visible only when you select Model turn-on and turn-off times for the **Model dynamics** parameter.

Extended Capabilities**C/C++ Code Generation**

Generate C and C++ code using Simulink® Coder™.

See Also

DPDT Switch | DPST Switch | SPDT Switch (Three-Phase) | SPST Switch | SPST Switch (Three-Phase)

Topics

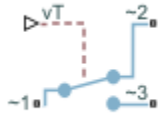
“Switch Between Physical Signal and Electrical Ports”

Introduced in R2012b

SPDT Switch (Three-Phase)

Three-phase single-pole double-throw switch

Library: Simscape / Electrical / Switches & Breakers



Description

The SPDT Switch (Three-Phase) block models a three-phase single-pole double-throw switch that uses an external signal to connect each phase of the port ~1 with the corresponding phase of either port ~2 or ~3.

The table shows how the external signal vT controls the block behavior.

Condition	Block Behavior	Resistance Parameter Used
$vT \leq \text{Threshold}$	Each phase of port ~1 is connected to the corresponding phase of port ~2 via internal resistance. Port ~3 is unconnected.	Open conductance (port ~1 to port ~3). Closed resistance (port ~1 to port ~2)
$vT > \text{Threshold}$	Each phase of port ~1 is connected to the corresponding phase of port ~3 via internal resistance. Port ~2 is unconnected.	Open conductance (port ~1 to port ~2). Closed resistance (port ~1 to port ~3)

Ports

Input

vT — Control port

physical signal

Physical control port.

Dependencies

This port is visible only when **Block Choice** is set to Expanded three-phase ports| PS control port or Composite three-phase ports| PS control port.

Conserving

~1 — Expandable three-phase port

electrical

Expandable three-phase electrical conserving port.

~2 — Expandable three-phase port

electrical

Expandable three-phase electrical conserving port.

~3 — Expandable three-phase port

electrical

Expandable three-phase electrical conserving port.

vT — Control port

electrical

Electrical conserving control port.

Dependencies

This port is visible only when **Block Choice** is set to Expanded three-phase ports| Electrical control port or Composite three-phase ports| Electrical control port.

- — Negative port

electrical

Negative electrical conserving port.

Dependencies

This port is visible only when **Block Choice** is set to Expanded three-phase ports| Electrical control port or Composite three-phase ports| Electrical control port.

Parameters**Closed resistance — Closed resistance**

0.001 Ohm (default)

Resistance between ports ~1 and ~3 when the switch is closed.

Open conductance — Open conductance

1e-6 1/Ohm (default)

Conductance between ports ~1 and ~2 when the switch is open.

Threshold — Threshold

0.5 V (default)

Threshold voltage for the control port vT. When the voltage is above the threshold, the switch is closed.

Extended Capabilities**C/C++ Code Generation**

Generate C and C++ code using Simulink® Coder™.

See Also

[DPDT Switch](#) | [DPST Switch](#) | [SPDT Switch](#) | [SPST Switch](#) | [SPST Switch \(Three-Phase\)](#)

Topics

[“Expand and Collapse Three-Phase Ports on a Block”](#)

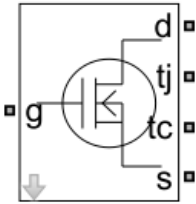
[“Switch Between Physical Signal and Electrical Ports”](#)

Introduced in R2013b

SPICE-Imported MOSFET

Predefined MOSFET parameterized by external SPICE subcircuit

Library: Simscape / Electrical / Semiconductors & Converters



Description

The SPICE-Imported MOSFET block models a metal-oxide-semiconductor field-effect transistor (MOSFET) that has been parameterized using an external SPICE subcircuit.

You can use this block to model the MOSFET devices listed in the table. These parameterizations have already been imported to Simscape using the `subcircuit2ssc` function, and they have been numerically validated against results generated using a SPICE simulation tool.

Available Parameterizations

Series	Device
Infineon OptiMOS6 40V	IAUC120N04S6N009
	IAUC120N04S6N010
	IAUC120N04S6N013
	IAUC100N04S6N015
	IAUC100N04S6N022
	IAUC100N04S6N028
	IAUC80N04S6N036
	IAUC60N04S6N036
	IAUC120N04S6L008
	IAUC120N04S6L009
	IAUC120N04S6L012
	IAUC100N04S6L014
	IAUC100N04S6L020
	IAUC100N04S6L025
	IAUC80N04S6L032
	IAUC60N04S6L039
Infineon OptiMOS5 80V	IPB015N08N5
	IPB017N08N5
	IPP020N08N5
	IPT012N08N5
	IPB020N08N5
	IPP023N08N5
	IPB024N08N5
	IPP027N08N5
	IPB031N08N5
	IPP034N08N5
	IPB049N08N5
	IPP052N08N5
	IAUT300N08S5N012
	IAUT165N08S5N029
	IAUT300N08S5N014
	IAUT240N08S5N019
	IAUT200N08S5N023
	IAUS300N08S5N013T
	IAUS300N08S5N015T

Series	Device
	IAUC100N08S5N031
	IAUC100N08S5N043
	IAUC70N08S5N074

Limitations

- This block only works when the local solver is enabled. To enable the local solver, select the **Use local solver** check box in the Solver Configuration block. You must set the **Sample time** parameter to a value smaller than the fastest device dynamic. If you specify a larger sample time, the block steps over the dynamic events, which results in numerical warnings.
- Copying this block from the library into a model breaks the link to the library. If you upgrade MATLAB to later versions, you need to replace this block with a new copy of the block from the library.

Ports

Conserving

g – Gate terminal

electrical

Electrical conserving port associated with the gate terminal of the chosen pre-parameterized MOSFET.

d – Drain terminal

electrical

Electrical conserving port associated with the drain terminal of the chosen pre-parameterized MOSFET.

tj – Junction temperature

electrical

Electrical conserving port associated with the junction temperature of the chosen pre-parameterized MOSFET.

tc – Case temperature

electrical

Electrical conserving port associated with the case temperature of the chosen pre-parameterized MOSFET.

s – Source terminal

electrical

Electrical conserving port associated with the source of the chosen pre-parameterized MOSFET.

Parameters

Series — MOSFET series

Infineon OptiMOS6 40V (default) | Infineon OptiMOS5 80V

Series of the pre-parameterized MOSFET, specified as either Infineon OptiMOS6 40V or Infineon OptiMOS5 80V.

Device — Device name

IPB015N08N5 | IAUC120N04S6N009 | IAUC120N04S6N010 | IAUC120N04S6N013 |
IAUC100N04S6N015 | ...

Name of the device, specified as one of the options listed in the Available Parameterizations table.

Extended Capabilities

C/C++ Code Generation

Generate C and C++ code using Simulink® Coder™.

See Also

Functions

subcircuit2ssc

Topics

“Additional Parameterization Workflows”

“Converting a SPICE Netlist to Simscape Blocks”

Introduced in R2020b

SPICE Diode

SPICE-compatible diode

Library: Simscape / Electrical / Additional Components / SPICE Semiconductors



Description

The SPICE Diode block represents a SPICE-compatible diode.

SPICE, or Simulation Program with Integrated Circuit Emphasis, is a simulation tool for electronic circuits. You can convert some SPICE subcircuits into equivalent Simscape Electrical models using the Environment Parameters block and SPICE-compatible blocks from the “Additional Components” library. For more information, see `subcircuit2ssc`.

Equations

Variables for the SPICE Diode block equations include:

- Variables that you define by specifying parameters for the SPICE Diode block. The visibility of some of the parameters depends on the value that you set for other parameters. For more information, see “Parameters” on page 1-1708.
- Geometry-adjusted variables, which depend on several values that you specify using parameters for the SPICE Diode block. For more information, see “Geometry-Adjusted Variables” on page 1-1703.
- Temperature, T , which is 300.15 K by default. You can use a different value by specifying parameters for the SPICE Diode block or by specifying parameters for both the SPICE Diode block and an Environment Parameters block. For more information, see “Diode Temperature” on page 1-1704.
- Temperature-dependent variables. For more information, see “Temperature Dependence” on page 1-1706.
- Minimal conductance, $GMIN$, which is $1e-12$ 1/Ohm by default. You can use a different value by specifying a parameter for an Environment Parameters block. For more information, see “Minimal Conduction” on page 1-1704.
- Thermal voltage, V_t . For more information, see “Thermal Voltage” on page 1-1704.

Geometry-Adjusted Variables

Several variables in the equations for the SPICE diode model consider the geometry of the device that the block represents. These geometry-adjusted variables depend on variables that you define by specifying SPICE Diode block parameters. The geometry-adjusted variables depend on these variables:

- $AREA$ — Area of the device
- $SCALE$ — Number of parallel connected devices

- The associated unadjusted variable

The table includes the geometry-adjusted variables and the defining equations.

Variable	Description	Equation
CJO_d	Geometry-adjusted zero-bias junction capacitance	$CJO_d = CJO * AREA * SCALE$
IBV_d	Geometry-adjusted reverse breakdown current	$IBV_d = IBV * AREA * SCALE$
IS_d	Geometry-adjusted saturation current	$IS_d = IS * AREA * SCALE$
RS_d	Geometry-adjusted series resistance	$RS_d = \frac{RS}{AREA * SCALE}$

Diode Temperature

You can use these options to define diode temperature, T :

- Fixed temperature — The block uses a temperature that is independent from the circuit temperature when the **Model temperature dependence using** parameter in the **Temperature** settings of the Spice Diode block is set to **Fixed** temperature. For this model, the block sets T equal to *TFIXED*.
- Device temperature — The block uses a temperature that depends on circuit temperature when the **Model temperature dependence using** parameter in the **Temperature** settings of the Spice Diode block is set to **Device** temperature. For this model, the block defines temperature as

$$T = T_C + TOFFSET$$

Where:

- T_C is the circuit temperature.

If there is no Environment Parameters block in the circuit, T_C is equal to 300.15 K.

If there is an Environment Parameters block in the circuit, T_C is equal to the value that you specify for the **Temperature** parameter in the **Spice** settings of the Environment Parameters block. The default value for the **Temperature** parameter is 300.15 K.

- *TOFFSET* is the offset local circuit temperature.

Minimal Conduction

Minimal conductance, *GMIN*, has a default value of 1e-12 1/Ohm. To specify a different value:

- 1 If there is not an Environment Parameters block in the diode circuit, add one.
- 2 In the **Spice** settings of the Environment Parameters block, specify the desired *GMIN* value for the **GMIN** parameter.

Thermal Voltage

Thermal voltage, V_t , is defined by the equation

$$V_t = N \frac{k * T}{q}$$

Where:

- N is the emission coefficient.
- T is the diode temperature. For more information, see “Diode Temperature” on page 1-1704.
- k is the Boltzmann constant.
- q is the elementary charge on an electron.

Current-Voltage Equations

These equations define the relationship between the diode current, I_d , and the diode voltage, V_d . As applicable, the model parameters are first adjusted for temperature. For more information, see “Temperature Dependence” on page 1-1706.

$$I_d = AREA * (I_{fwd} - I_{rev})$$

$$I_{fwd} = I_{nrm} * K_{inj} + I_{rec} * K_{gen}$$

$$I_{rev} = I_{revh} + I_{revl}$$

$$I_{nrm} = I_S e^{V_d / (N * V_t) - 1}$$

$$I_{rec} = I_{SR} e^{V_d / (NR * V_t) - 1}$$

$$K_{inj} = \left(\frac{IKF}{IKF + I_{nrm}} \right)^{0.5}$$

$$K_{gen} = \left[\left(\frac{1 - V_d}{V_J} \right)^2 + 0.005 \right]^{\frac{M}{2}}$$

$$I_{revh} = IBV * e^{-\frac{V_d + BV}{NBV * V_t}}$$

$$I_{revl} = IBVL * e^{-\frac{V_d + BV}{NBVL * V_t}}$$

Where:

- I_{fwd} is the forward current.
- I_{rev} is the reverse current.
- I_{nrm} is the normal current.
- I_{rec} is the recombination current.
- K_{inj} is the high-injection factor.
- K_{gen} is the generation factor.
- I_{revh} is the high-level breakdown current.
- I_{revl} is the low-level breakdown current.
- V_t is thermal voltage. For more information, see “Thermal Voltage” on page 1-1704.
- I_S is the saturation current.
- I_{SR} is the recombination current.

- IKF is the forward knee current.
- VJ is the junction potential.
- N is the emission coefficient.
- NR is the reverse emission coefficient.
- NBV is the reverse breakdown emission coefficient.
- $NBVL$ is the low-level reverse breakdown ideality factor.
- M is the grading coefficient.
- BV is the reverse breakdown voltage.
- IBV is the reverse breakdown current.
- $IBVL$ is the low-level reverse breakdown knee current.

Junction Charge Model

The table shows the equations that define the relationship between the diode charge Q_d , and the diode voltage, V_d . As applicable, the model parameters are first adjusted for temperature. For more information, see “Temperature Dependence” on page 1-1706.

V_d Range	Q_d Equation
$V_d < FC * VJ$	$Q_d = TT * AREA * I_{fwd} + CJO_d * VJ * \frac{1 - \left(1 - \frac{V_d}{VJ}\right)^{1 - M}}{1 - M}$
$V_d \geq FC * VJ$	$Q_d = TT * AREA * I_{fwd} + CJO_d * \left(F1 + \frac{F3 * (V_d - FC * VJ) + \left(\frac{M}{2 * VJ}\right) * (V_d^2 - (FC * VJ)^2)}{F2} \right)$

Where:

- FC is the forward bias depletion capacitance coefficient.
- VJ is the junction potential.
- TT is the transit time.
- CJO_d is the geometry-adjusted zero-bias junction capacitance. For more information, see “Geometry-Adjusted Variables” on page 1-1703.
- M is the grading coefficient.
- $F1 = VJ * (1 - (1 - FC)^{(1 - M)}) / (1 - M)$
- $F2 = (1 - FC)^{(1 + M)}$
- $F3 = 1 - FC * (1 + M)$

Temperature Dependence

The relationship between the geometry-adjusted saturation current and the diode temperature is

$$IS_d(T) = IS_d * (T/TMEAS)^{\frac{XTI}{N}} * e^{\left(\frac{T}{TMEAS} - 1\right) * \frac{EG}{N * V_t}}$$

Where:

- IS_d is the geometry-adjusted saturation current. For more information, see “Geometry-Adjusted Variables” on page 1-1703.
- T is the diode temperature. For more information, see “Diode Temperature” on page 1-1704.
- $TMEAS$ is the parameter extraction temperature.
- XTI is the saturation current temperature exponent.
- N is the emission coefficient.
- EG is the activation energy.
- V_t is thermal voltage. For more information, see “Thermal Voltage” on page 1-1704.

The relationship between the recombination current and the diode temperature is

$$ISR(T) = ISR * \left(\frac{T}{TMEAS} \right)^{\frac{XTI}{NR}} * e^{\left(\frac{T}{TMEAS} - 1 \right) * \frac{EG}{NR * V_t}}$$

Where:

- ISR is the recombination current.
- NR is the reverse emission coefficient.

The relationship between the forward knee current and the diode temperature is

$$IKF(T) = IKF * [1 + TIKF * (T - TMEAS)]$$

Where:

- IKF is the forward knee current.
- $TIKF$ is the linear IKF temperature coefficient.

The relationship between the breakdown voltage and the diode temperature is

$$BV(T) = BV * [1 + TBV1 * (T - TMEAS) + TBV2 * (T - TMEAS)^2]$$

Where:

- BV is the breakdown voltage.
- $TBV1$ is the linear BV temperature coefficient.
- $TBV2$ is the quadratic BV temperature coefficient.

The relationship between the ohmic resistance and the diode temperature is

$$RS(T) = RS * [1 + TRS1 * (T - TMEAS) + TRS2 * (T - TMEAS)^2]$$

Where:

- RS is the ohmic resistance.
- $TRS1$ is the linear RS temperature coefficient.
- $TRS2$ is the quadratic RS temperature coefficient.

The relationship between the junction potential and the diode temperature is

$$VJ(T) = VJ * \left(\frac{T}{TMEAS} \right) - 3 * V_t * \ln \left(\frac{T}{TMEAS} \right) - \left(\frac{T}{TMEAS} \right) * EG_{TMEAS} + EG_T$$

Where:

- V_J is the junction potential.
- EG_{TMEAS} is the activation energy for the temperature at which the diode parameters were measured. The defining equation is $EG_{TMEAS} = 1.16eV - (7.02e - 4 * TMEAS^2) / (TMEAS + 1108)$.
- EG_T is the activation energy for the diode temperature. The defining equation is $EG_T = 1.16eV - (7.02e - 4 * T^2) / (T + 1108)$.

The relationship between the geometry-adjusted diode zero-bias junction capacitance and the diode temperature is

$$CJO_d(T) = CJO_d * \left[1 + M * \left(400e - 6 * (T - TMEAS) - \frac{V_J(T) - V_J}{V_J} \right) \right]$$

Where:

- CJO_d is the geometry-adjusted zero-bias junction capacitance. For more information, see “Geometry-Adjusted Variables” on page 1-1703.
- M is the grading coefficient.

Assumptions and Limitations

- The block does not support noise analysis.
- The block applies initial conditions across junction capacitors and not across the block ports.

Ports

Conserving

+ – Positive voltage

electrical

Electrical conserving port associated with positive voltage.

- – Negative voltage

electrical

Electrical conserving port associated with negative voltage.

Parameters

Main

Device area, AREA – Device area

1.0 m² (default) | positive scalar

Diode area. The value must be greater than 0.

Number of parallel devices, SCALE – Number of parallel devices

1 (default) | positive scalar

Number of parallel diodes that the block represents. The value must be greater than 0.

Saturation current, IS — Saturation current

$1e-14$ A/m² (default) | nonnegative scalar

Magnitude of the current that the ideal diode equation approaches asymptotically for very large reverse bias levels. The value must be greater than or equal to 0.

High-injection knee current, IKF — High-injection knee current

$1e-14$ A/m² (default) | scalar

Current value at which forward-beta high-current roll-off occurs. The value must be greater than or equal to 0.

Recombination current parameter, ISR — Recombination current

0 A/m² (default) | scalar

Magnitude of the current generated from the process of the recombination of electrons and holes inside the junction.

Emission coefficient, N — Emission coefficient

1 (default) | positive scalar

Diode emission coefficient or ideality factor. The value must be greater than 0.

Emission coefficient for ISR, NR — Emission coefficient for ISR

2 (default) | positive scalar

Diode emission coefficient for the recombination current. The value must be greater than 0.

Grading coefficient, M — Grading coefficient

0.5 (default) | $0 < M < 0.9$ | scalar

Grading coefficient, M . The value must be greater than 0 and less than 0.9.

Dependencies

This parameter is only visible when you select Yes for the **Model junction capacitance** parameter.

Junction potential, VJ — Junction potential

1 V (default) | $VJ > 0.01$ | scalar

Junction potential, VJ . The value must be greater than 0.01 V.

Dependencies

This parameter is only visible when you select Yes for the **Model junction capacitance** parameter.

Ohmic resistance, RS — Series resistance

0.01 m²*Ohm (default) | nonnegative scalar

Series diode connection resistance. The value must be greater than or equal to 0.

Junction Capacitance

Model junction capacitance — Junction capacitance model

No (default) | Yes

Options for modeling the junction capacitance:

- **No** — Do not include junction capacitance in the model.
- **Yes** — Specify zero-bias junction capacitance, junction potential, grading coefficient, forward-bias depletion capacitance coefficient, and transit time.

Zero-bias junction capacitance, CJO — Zero-bias junction capacitance

0 F/m^2 (default) | nonnegative scalar

Value of the capacitance placed in parallel with the exponential diode term. The value must be greater than or equal to 0 .

Dependencies

To enable this parameter, set **Model junction capacitance** to Yes.

Capacitance coefficient, FC — Capacitance coefficient

0.5 (default) | $0 \leq FC < 0.95$ | scalar

Fitting coefficient, FC , that quantifies the decrease of the depletion capacitance with applied voltage. The value must be greater than or equal to 0 and less than 0.95 .

Dependencies

To enable this parameter, set **Model junction capacitance** to Yes.

Transit time, TT — Transit time

0 s (default) | nonnegative scalar

Transit time, TT , of the carriers that cause diffusion capacitance. The value must be greater than or equal to 0 .

Dependencies

To enable this parameter, set **Model junction capacitance** to Yes.

Specify initial condition — Initial condition model

No (default) | Yes

Options for specifying initial conditions:

- **No** — Do not specify an initial condition for the model.
- **Yes** — Specify the initial diode voltage.

Note The SPICE Diode block applies the initial diode voltage across the junction capacitors and not across the ports.

Dependencies

To enable this parameter, set **Model junction capacitance** to Yes.

Initial condition voltage, V0 — Initial voltage

0 V (default) | scalar

Diode voltage at the start of the simulation.

Note The block applies the initial condition across the diode junction, so the initial condition is only effective when charge storage is included, that is, when one or both of the **Zero-bias junction capacitance, CJO** and **Transit time, TT** parameters are greater than zero.

Dependencies

To enable this parameter, set **Model junction capacitance** and **Specify initial condition** to Yes.

Reverse Breakdown

Model reverse breakdown — Reverse breakdown model

No (default) | Yes

Options for modeling reverse breakdown:

- No — Do not model reverse breakdown.
- Yes — Introduce a second exponential term to the diode I-V relationship, thereby modeling a rapid increase in conductance as the breakdown voltage is exceeded.

Reverse breakdown voltage, BV — Reverse breakdown threshold voltage

Inf V (default) | nonnegative scalar

If voltage drops below this value, the block models the rapid increase in conductance that occurs at diode breakdown. The value must be greater than or equal to 0.

Dependencies

To enable this parameter, set **Model reverse breakdown** to Yes.

Reverse breakdown current, IBV — Reverse breakdown current

1e-10 A/m² (default) | positive scalar

Diode current that corresponds to the voltage specified for the **Reverse breakdown voltage, BV** parameter. The value must be greater than 0.

Dependencies

To enable this parameter, set **Model reverse breakdown** to Yes.

Low-level reverse breakdown knee current, IBVL — Low-level reverse breakdown knee current

0 A/m² (default) | positive scalar

Low-level reverse breakdown knee current.

Dependencies

To enable this parameter, set **Model reverse breakdown** to Yes.

Reverse breakdown ideality factor, NBV — Reverse breakdown ideality factor

1 (default) | positive scalar

Ideality factor for the **Reverse breakdown voltage, BV**.

Dependencies

To enable this parameter, set **Model reverse breakdown** to Yes.

Low-level reverse breakdown ideality factor, NBVL — Low-level reverse breakdown ideality factor

1 (default) | positive scalar

Ideality factor for the **Low-level reverse breakdown knee current, IBVL****Dependencies**To enable this parameter, set **Model reverse breakdown** to Yes.**Temperature****Model temperature dependence using — Temperature dependence model**

Device temperature (default) | Fixed temperature

Select one of these options for modeling the diode temperature dependence:

- **Device temperature** — Use the device temperature to model temperature dependence.
- **Fixed temperature** — Use a temperature that is independent of the circuit temperature to model temperature dependence.

For more information, see “Diode Temperature” on page 1-1704.

Saturation current temperature exponent, XTI — Saturation current temperature exponent

3.0 (default) | positive scalar

Order of the exponential increase in the saturation current as temperature increases. The value must be greater than 0.

Activation energy, EG — Activation energy1.11 eV (default) | $EG \geq 0.1$ | scalar

Diode activation energy. The value must be greater than or equal to 0.1 eV.

IKF temperature coefficient (linear), TIKF — Temperature coefficient for IKF

0 1/K (default) | positive scalar

Linear temperature coefficient for the **High-injection knee current, IKF**.**RS temperature coefficient (linear), TRS1 — Temperature coefficient for RS**

0 1/K (default) | positive scalar

Linear temperature coefficient for the **Ohmic resistance, RS**.**RS temperature coefficient (quadratic), TRS2 — Temperature coefficient for RS**0 1/K² (default) | positive scalarQuadratic temperature coefficient for the **Ohmic resistance, RS**.**BV temperature coefficient (linear), TBV1 — Temperature coefficient for BV**

0 1/K (default) | positive scalar

Linear temperature coefficient for the **Breakdown voltage, BV**.

BV temperature coefficient (quadratic), TBV2 — Temperature coefficient for BV
 0 1/K² (default) | positive scalar

Quadratic temperature coefficient for the **Breakdown voltage, BV**.

Fixed circuit temperature, TFIXED — Fixed circuit temperature
 300.15 K (default) | positive scalar

Diode simulation temperature. The value must be greater than 0 K.

Dependencies

To enable this parameter, set **Model temperature dependence using** to Fixed temperature.

Parameter extraction temperature, TMEAS — Parameter extraction temperature
 300.15 K (default) | positive scalar

Temperature at which the diode parameters are measured. The value must be greater than 0 K.

Offset local circuit temperature, TOFFSET — Local circuit temperature offset
 0 K (default) | scalar

Amount by which the diode temperature differs from the circuit temperature.

Dependencies

To enable this parameter, set **Model temperature dependence using** to Device temperature.

Extended Capabilities

C/C++ Code Generation

Generate C and C++ code using Simulink® Coder™.

See Also

Simscape Blocks

Diode | Environment Parameters

Functions

subcircuit2ssc

Topics

“Additional Parameterization Workflows”

“Converting a SPICE Netlist to Simscape Blocks”

“Parameterize an Exponential Diode from SPICE Netlist”

Introduced in R2008a

SPICE NIGBT

SPICE-compatible N-Channel insulated gate bipolar transistor

Library: Simscape / Electrical / Additional Components / SPICE Semiconductors

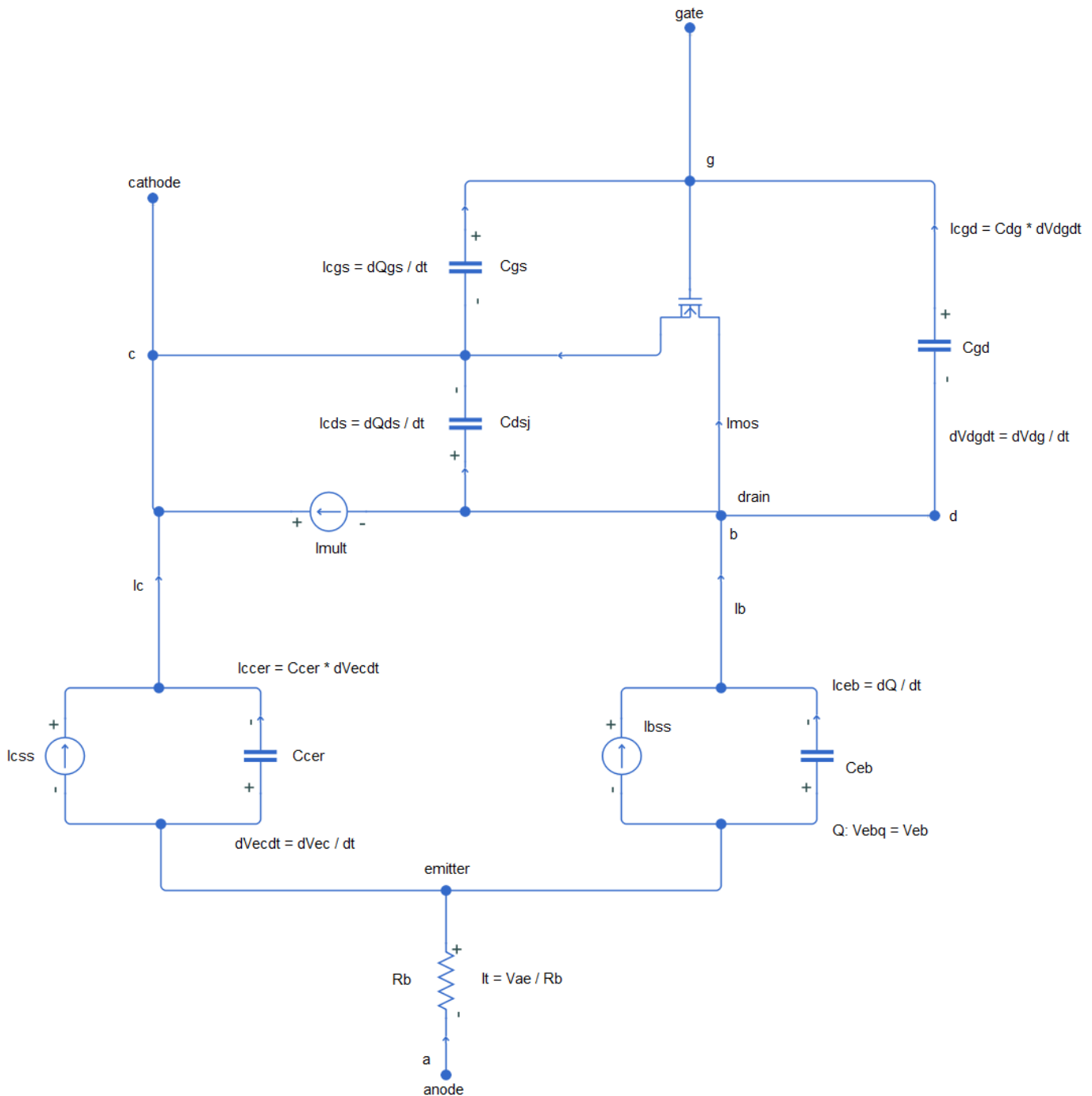


Description

The SPICE NIGBT block models a SPICE n-type insulated gate bipolar transistor (IGBT).

SPICE, or Simulation Program with Integrated Circuit Emphasis, is a simulation tool for electronic circuits. You can convert some SPICE subcircuits into equivalent Simscape Electrical models using the Environment Parameters block and SPICE-compatible blocks from the “Additional Components” library. For more information, see `subcircuit2ssc`.

This figure shows the equivalent circuit for the SPICE NIGBT block:



Equations

Variables for the SPICE NIGBT block equations include:

- Variables that you define by specifying parameters for the SPICE NIGBT block.
- Temperature, T , which is 300.15 K by default. You can use a different value by specifying parameters for the SPICE NIGBT block or by specifying parameters for both the SPICE NIGBT

block and an Environment Parameters block. For more information, see “Transistor Temperature” on page 1-1720.

MOSFET Channel Current

This table shows the equations that define the relationship between the MOSFET channel current, I_{mos} , and the gate-source voltage, V_{gs} .

Applicable Range of V_{gs} Values	Corresponding I_{mos} Equation
$V_{gs} < VT$	$I_{mos} = GMIN * V_{ds} * SCALE$
$V_{ds} \leq \frac{V_{gs} - VT}{KF}$	$I_{mos} = SCALE * \left(\frac{KF * KP \left[(V_{gs} - VT)V_{ds} - \frac{KF * V_{ds}^2}{2} \right]}{1 + THETA * (V_{gs} - VT)} + GMIN * V_{ds} \right)$
$V_{ds} > \frac{(V_{gs} - VT)}{KF}$	$I_{mos} = SCALE * \left(\frac{KP(V_{gs} - VT)^2}{2[1 + THETA * (V_{gs} - VT)]} + GMIN * V_{ds} \right)$

In these equations:

- V_{ds} is the drain-source voltage.
- VT is the threshold voltage.
- KF is the triode region factor.
- KP is the mosfet transconductance.
- $THETA$ is the transverse field factor.

Bipolar Steady-State Collector Current

This table shows the equations that define the relationship between the steady-state collector current, I_{css} , and the emitter-base capacitance, Q_{eb} .

Applicable Range of Q_{eb} Values	Corresponding I_{css} Equation
$Q_{eb} < 0$	$I_{css} = 0$
$Q_{eb} \geq 0$	$I_{css} = \left[\left(\frac{1}{1 + b} \right) I_T + \left(\frac{b}{1 + b} \right) \left(\frac{4D_p}{W^2} \right) Q_{eb} \right] * SCALE$

In these equations:

- $b = \frac{MUN}{MUP}$ is the ambipolar mobility ratio.
- $D_p = \frac{K_B T}{q} * MUP$ is the diffusion coefficient for holes.
- $W = WB - W_{bcj}$ is the quasi-neutral base width, where:
 - WB is the metallurgical base width.

- $W_{bcj} = \sqrt{2\epsilon_{si} \frac{V_{bc} + V_{bi}}{q * NB}}$ is the base-collector depletion width.
- V_{bc} is the base-collector voltage.
- V_{bi} is the build-in voltage, and it is equal to 0.6 V

Bipolar Steady-State Base Current

This table shows the equations that define the relationship between the steady-state base current, I_{bss} , and the emitter-base capacitance, Q_{eb} .

Applicable Range of Q_{eb} Values	Corresponding I_{bss} Equation
$Q_{eb} < 0$	$I_{bss} = 0$
$Q_{eb} \geq 0$	$I_{bss} = \frac{Q_{eb}}{TAU} + \left(\frac{Q_{eb}}{Q_B}\right)^2 \left(\frac{4 * NB^2}{ni^2}\right) JSNE * AREA * SCALE$

In these equations:

- TAU is the ambipolar recombination lifetime.
- $JSNE$ is the emitter saturation current density.
- ni is the intrinsic carrier concentration. At 300 K it is equal to $1.45 * 10^{10}$ 1/cm³.
- $Q_B = qWN_B * AREA$ is the background mobile carrier base charge, where:
 - N_B is the base doping.
 - $AREA$ is the area of the device.

Bipolar Emitter-Base Voltage

This table shows the equations that define the relationship between the emitter-base voltage, V_{eb} , and the emitter-base capacitance, Q_{eb} .

Applicable Range of Q_{eb} Values	Corresponding V_{eb} Equation
$Q_{eb} < 0$	$V_{eb} = V_{ebj}$
$Q_{bi} > Q_{eb} \geq 0$	$V_{ebmin} = \min(V_{ebj}, V_{ebd})$
$Q_{eb} > Q_{bi}$	$V_{eb} = V_{ebd}$

In these equations:

- $V_{ebj} = V_{bi} - \frac{(Q_{eb} - Q_{bi})^2}{2qNB\epsilon_{si}A^2}$ is the emitter-base depletion voltage.
- V_{bi} is the build-in voltage.
- $Q_{bi} = AREA * \sqrt{2\epsilon_{si}qNB * V_{bi}}$ is the emitter-base junction build-in voltage.
- $V_{ebd} = \frac{kT}{q} \ln \left[\left(\frac{P_0}{ni^2} + \frac{1}{NB} \right) (NB + P_0) \right] - \frac{D_C}{\mu_{nc}} \ln \frac{P_0 + NB}{NB}$ is the emitter-base diffusion voltage.

Anode Current

The anode current is obtained from this equation:

$$I_T = \frac{V_{ae}}{R_b} * SCALE,$$

where:

- V_{ae} is the applied anode-emitter voltage.
- R_b is the conductivity-modulated base resistance.

This table shows the equations that define the relationship between the conductivity-modulated base resistance, R_b , and the emitter-base capacitance, Q_{eb} .

Applicable Range of Q_{eb} Values	Corresponding R_b Equation
$Q_{eb} < 0$	$R_b = \frac{W}{q * MUN * AREA * NB}$
$Q_{eb} \geq 0$	$R_b = \frac{W}{q * \mu_{eff} * AREA * n_{eff}}$

In these equations:

- μ_{eff} is the effective carrier mobility.
- n_{eff} is the effective base doping concentration.
- MUN is the electron mobility.

μ_{eff} and n_{eff} are obtained using these equations:

$$\mu_{nc} = \frac{1}{\left(\frac{1}{\mu_n} + \frac{1}{\mu_c}\right)}$$

$$\mu_{pc} = \frac{1}{\left(\frac{1}{\mu_p} + \frac{1}{\mu_c}\right)}$$

$$\mu_{eff} = \mu_{nc} + \frac{\mu_{pc} Q_{eb}}{(Q_{eb} + Q_B)}$$

$$D_c = 2 \frac{kT}{q} \frac{\mu_{nc} \mu_{pc}}{\mu_{nc} + \mu_{pc}}$$

$$L = \sqrt{D_c * TAU}$$

$$P_0 = \frac{Q}{q * AREA * L \tanh \frac{W}{2L}}$$

$$n_{eff} = \frac{\frac{W}{2L} \sqrt{N_B^2 + P_0^2 \operatorname{csch} \left(\frac{W}{L} \right)}}{\operatorname{arctanh} \left[\frac{\sqrt{N_B^2 + P_0^2 \operatorname{csch} \left(\frac{W}{L} \right)} \tanh \left(\frac{W}{2L} \right)}{N_B + P_0 \operatorname{csch} \left(\frac{W}{L} \right) \tanh \left(\frac{W}{2L} \right)} \right]}$$

$$\bar{\delta}_p = \frac{P_0 \sinh \left(\frac{W}{2L} \right)}{\sinh \left(\frac{W}{L} \right)}$$

where:

- μ_{nc} is the electron carrier scattering mobility.
- μ_{pc} is the hole carrier scattering mobility.
- D_c is the carrier-carrier scattering diffusivity.
- L is the ambipolar diffusion length.
- P_0 is the carrier concentration at emitter's end of the base.
- $\bar{\delta}_p$ is the average carrier concentration in base.

Avalanche Multiplication Current

The avalanche multiplication current is obtained from this equation:

$$I_{mult} = (M - 1)(I_{mos} + I_{css} + I_{ccer}) + M * I_{gen},$$

where:

- $I_{gen} = \frac{SCALE}{TAU} q n_i AREA \sqrt{2 \epsilon_{si} \frac{V_{bc}}{q N_B}}$ is the collector-base thermally generated current.
- I_{css} is the steady-state collector current.
- I_{mos} is the MOSFET channel current.
- I_{ccer} is the collector-emitter redistribution current.

This equation defines the relationship between the base-collector voltage, V_{bc} , and the avalanche multiplication factor, M :

$$M = \frac{1}{1 - \left(\frac{V_{bc}}{BV_{cbo}} \right)^{BVN}},$$

where:

- $BV_{cbo} = BVF * 5.34e13 * NB^{-0.75}$ is the open-base collector-emitter breakdown voltage.
- BVF is the avalanche uniformity factor.
- BVN is the avalanche multiplication exponent.

Capacitance Model

The gate source capacitance is obtained from this equation:

$$Q_{gs} = CGS * V_{gs} * SCALE.$$

The drain source capacitance is obtained from this equation:

$$Q_{ds} = q(AREA - AGD) * NB * W_{dsj} * SCALE,$$

where $W_{dsj} = W_{bcj}$ is the drain-source depletion width.

This table shows the equations that define the relationship between the gate-drain capacitance, Q_{dg} , and the drain-gate voltage, V_{dg}

Applicable Range of V_{dg} Values	Corresponding Q_{dg} Equation
$V_{dg} + VTD \leq 0$	$Q_{dg} = C_{gdo} * V_{dg} * SCALE$
$V_{dg} + VTD > 0$	$Q_{dg} = \left[\frac{qNB\epsilon_{si}AGD}{COXD} \left(\frac{COXD * W_{dgj}}{\epsilon_{si}} \log \left(1 + \frac{COXD * W_{dgj}}{\epsilon_{si}} \right) \right) - C_{gdo} * VTD \right] * SCALE$

In these equations:

- $C_{gdo} = COXD * AGD$ is the gate-drain overlap oxide capacitance.
- V_{dg} is the drain-gate voltage.
- ϵ_{si} is the permittivity of silicon.
- $W_{dgj} = \sqrt{2\epsilon_{si} \frac{(V_{dg} + VTD)}{qNB}}$ is the drain-gate overlap depletion width.
- VTD is the **Gate-drain overlap depletion threshold, VTD**.
- $COXD$ is the **Gate-drain oxide capacitance per unit area, COXD**.
- AGD is the **Gate-drain overlap area, AGD**.
- NB is the **Base doping, NB**.

This equation shows the relationship between the collector-emitter redistribution current, $I_{c_{cer}}$, and the collector-emitter redistribution capacitance, C_{cer} :

$$I_{c_{cer}} = C_{cer} * \frac{dV_{ec}}{dt} * SCALE,$$

where V_{ec} is the emitter-collector voltage.

This table shows the equations that define the relationship between the collector-emitter redistribution capacitance, C_{cer} , and the emitter-base capacitance, Q_{eb} .

Applicable Range of Q_{eb} Values	Corresponding C_{cer} Equation
$Q_{eb} > 0$	$C_{cer} = \frac{Q_{eb}C_{bcj}}{3Q_B} + C_{min} * AREA$
$Q_{eb} \leq 0$	$C_{cer} = C_{min} * AREA$

In these equations:

- C_{bcj} is the base-collector depletion capacitance.
- $Q_B = qWN_B * AREA$ is the background mobile carrier base charge.

The implicit emitter-base capacitor current is obtained from this equation:

$$I_{q_{eb}} = \frac{dQ_{eb}}{dt} * SCALE.$$

Transistor Temperature

You can use these options to define transistor temperature, T :

- Fixed temperature — The block uses a temperature that is independent of the circuit temperature when the **Model temperature dependence using** parameter in the **Temperature** settings of the SPICE NIGBT block is set to Fixed temperature. For this model, the block sets T equal to T_{FIXED} .
- Device temperature — The block uses a temperature that depends on circuit temperature when the **Model temperature dependence using** parameter in the **Temperature** settings of the SPICE NIGBT block is set to Device temperature. For this model, the block defines temperature as

$$T = T_C + TOFFSET$$

where:

- T_C is the circuit temperature.

If there is not an Environment Parameters block in the circuit, T_C is equal to 300.15 K.

If there is an Environment Parameters block in the circuit, T_C is equal to the value that you specify for the **Temperature** parameter in the **SPICE** settings of the Environment Parameters block. The default value for the **Temperature** parameter is 300.15 K.

- $TOFFSET$ is the offset local circuit temperature.

Ports

Refer to the figure for port locations.



Conserving

gx — Gate terminal

electrical

Electrical conserving port associated with the IGBT gate terminal.

cx — Collector terminal

electrical

Electrical conserving port associated with the IGBT collector terminal.

ex — Emitter terminal

electrical

Electrical conserving port associated with the IGBT emitter terminal.

Parameters

Dimensions

Gate-drain overlap area, AGD — Gate-drain overlap area

5.0e-6 m² (default) | positive scalar

Gate-drain overlap area. The value must be greater than 0.

Area of the device, AREA — Device area

1.0e-5 m² (default) | positive scalar

Area of the device. The value must be greater than 0.

Number of parallel devices, SCALE — Number of parallel devices

1 (default) | positive integer

Number of parallel transistors the block represents. The value must be an integer greater than 0.

General**Electron mobility, MUN — Mobility of electron**

1.5e3 cm²/s/V (default) | scalar

Mobility of the electrons.

Hole mobility, MUP — Mobility of hole

4.5e2 cm²/s/V (default) | scalar

Mobility of the hole.

Base doping, NB — Doping of base

2e14 1/cm³ (default) | scalar

Doping of the base.

MOSFET**Triode region factor, KF — Factor of triode region**

1 (default)

Factor of the triode region.

MOS transconductance, KP — MOS transconductance

0.38 A/V² (default) | scalar

The derivative of the drain current with respect to the gate voltage. The value must be greater than or equal to 0

Threshold voltage, VT — Threshold voltage

4.7 V (default) | scalar

Threshold voltage.

Transverse field factor, THETA — Transverse field factor

0.02 1/V (default) | scalar

Transverse field factor.

BJT**Ambipolar recombination lifetime, TAU — Ambipolar recombination lifetime**

7.1e-6 s (default) | scalar

Ambipolar recombination lifetime.

Metallurgical base width, WB — Width of metallurgical base

9.0e-5 m (default) | scalar

Width of the metallurgical base.

Emitter saturation current density, JSNE — Density of emitter saturation current

6.5e-13 A/cm² (default) | scalar

Density of the emitter saturation current.

Avalanche uniformity factor, BVF — Avalanche uniformity factor

1 (default) | scalar

Avalanche uniformity factor.

Avalanche multiplication exponent, BVN — Avalanche multiplication exponent

4 (default) | scalar

Avalanche multiplication exponent.

Capacitance

Gate-source capacitance per unit area, CGS — Gate-source capacitance per unit area

1.24e-8 F/cm² (default) | scalar

Gate-source capacitance per unit area.

Gate-drain oxide capacitance per unit area, COXD — Gate-drain oxide capacitance per unit area

3.5e-8 F/cm² (default) | scalar

Gate-drain oxide capacitance per unit area.

Gate-drain overlap depletion threshold, VTD — Gate-drain overlap depletion threshold

1e-3 V (default) | scalar

Gate-drain overlap depletion threshold.

Specify initial condition — Whether to specify initial condition

No (default) | Yes

Whether to specify initial condition.

Initial condition voltage ICVGE — Initial condition voltage ICVGE

0 V (default) | scalar

Initial condition voltage ICVGE.

Dependencies

To enable this parameter, set **Specify initial condition** to Yes.

Initial condition voltage ICVCE — Initial condition voltage ICVCE

0 V (default) | scalar

Initial condition voltage ICVCE.

Dependencies

To enable this parameter, set **Specify initial condition** to Yes.

Temperature**Model temperature dependence using — Temperature dependence model**

Device temperature (default) | Fixed temperature

Options for modeling the transistor temperature dependence:

- **Device temperature** — Use the device temperature to model temperature dependence.
- **Fixed temperature** — Use a temperature that is independent of the circuit temperature to model temperature dependence.

For more information, see “Temperature Dependence” on page 1-1753.

Fixed circuit temperature, TFIXED — Fixed circuit temperature

300.15 K (default) | positive scalar

Transistor simulation temperature. The value must be greater than 0 K.

Dependencies

To enable this parameter, set **Model temperature dependence using** to Fixed temperature.

Parameter extraction temperature, TMEAS — Parameter extraction temperature

300.15 K (default) | positive scalar

Temperature at which the transistor parameters are measured. The value must be greater than 0 K.

Offset local circuit temperature, TOFFSET — Local circuit temperature offset

0 K (default) | scalar

Amount by which the transistor temperature differs from the circuit temperature.

Dependencies

To enable this parameter, set **Model temperature dependence using** to Device temperature.

References

- [1] Hefner, A.R. and Diebolt, D.M. *An experimentally verified IGBT model implemented in the Saber circuit simulator*. IEEE transactions on Power Electronics 9, no. 5 (September 1994): 532-42. <https://doi.org/10.1109/63.321038>.
- [2] Hefner, A.R., Jr. *Semiconductor measurement technology: INSTANT - IGBT Network Simulation and Transient ANALysis Tool*. U.S. Department of Commerce/Technology Administration, National Institute of Standards and Technology. 1992.

Extended Capabilities**C/C++ Code Generation**

Generate C and C++ code using Simulink® Coder™.

See Also

Simscape Blocks

Environment Parameters

Functions

subcircuit2ssc

Topics

"Additional Parameterization Workflows"

"Converting a SPICE Netlist to Simscape Blocks"

"Parameterize an Exponential Diode from SPICE Netlist"

Introduced in R2020a

SPICE NJFET

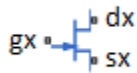
SPICE-compatible N-Channel JFET

Library: Simscape / Electrical / Additional Components / SPICE Semiconductors



Description

The SPICE NJFET block represents a SPICE-compatible N-channel junction field-effect transistor (NJFET). If the voltage applied to the gate port, **gx**, is less than the voltage applied to the source port, **sx**, the current between the source port and drain port, **dx**, is reduced.



SPICE, or Simulation Program with Integrated Circuit Emphasis, is a simulation tool for electronic circuits. You can convert some SPICE subcircuits into equivalent Simscape Electrical models using the Environment Parameters block and SPICE-compatible blocks from the “Additional Components” library. For more information, see `subcircuit2ssc`.

Equations

Variables for the SPICE NJFET block equations include:

- Variables that you define by specifying parameters for the SPICE NJFET block. The visibility of some of the parameters depends on the value that you set for other parameters. For more information, see “Parameters” on page 1-1731.
- Geometry-adjusted variables, which depend on several values that you specify using parameters for the SPICE NJFET block. For more information, see “Geometry-Adjusted Variables” on page 1-1726.
- Temperature, T , which is 300.15 K by default. You can use a different value by specifying parameters for the SPICE NJFET block or by specifying parameters for both the SPICE NJFET block and an Environment Parameters block. For more information, see “Transistor Temperature” on page 1-1727.
- Temperature-dependent variables. For more information, see “Temperature Dependence” on page 1-1730.
- Minimal conductance, $GMIN$, which is $1e-12$ 1/Ohm by default. You can use a different value by specifying a parameter for an Environment Parameters block. For more information, see “Minimal Conduction” on page 1-1728.

Geometry-Adjusted Variables

Several variables in the equations for the N-channel junction field-effect transistor model consider the geometry of the device that the block represents. These geometry-adjusted variables depend on

variables that you define by specifying SPICE NJFET block parameters. The geometry-adjusted variables depend on these variables:

- *AREA* — Area of the device
- *SCALE* — Number of parallel connected devices
- The associated unadjusted variable

The table includes the geometry-adjusted variables and the defining equations.

Variable	Description	Equation
$BETA_d$	Geometry-adjusted transconductance	$BETA_d = BETA * AREA * SCALE$
CGD_d	Geometry-adjusted zero-bias gate-drain capacitance	$CGD_d = CGD * AREA * SCALE$
CGS_d	Geometry-adjusted zero-bias gate-source capacitance	$CGS_d = CGS * AREA * SCALE$
IS_d	Geometry-adjusted saturation current	$IS_d = IS * AREA * SCALE$
RS_d	Geometry-adjusted source resistance	$RS_d = \frac{RS}{AREA * SCALE}$
RD_d	Geometry-adjusted drain resistance	$RD_d = \frac{RD}{AREA * SCALE}$

Transistor Temperature

You can use these options to define transistor temperature, T :

- Fixed temperature — The block uses a temperature that is independent of the circuit temperature when the **Model temperature dependence using** parameter in the **Temperature** settings of the SPICE NJFET block is set to `Fixed` temperature. For this model, the block sets T equal to *TFIXED*.
- Device temperature — The block uses a temperature that depends on circuit temperature when the **Model temperature dependence using** parameter in the **Temperature** settings of the SPICE NJFET block is set to `Device` temperature. For this model, the block defines temperature as

$$T = T_C + TOFFSET$$

Where:

- T_C is the circuit temperature.

If there is not an Environment Parameters block in the circuit, T_C is equal to 300.15 K.

If there is an Environment Parameters block in the circuit, T_C is equal to the value that you specify for the **Temperature** parameter in the **SPICE** settings of the Environment Parameters block. The default value for the **Temperature** parameter is 300.15 K.

- *TOFFSET* is the offset local circuit temperature.

Minimal Conduction

Minimal conductance, *GMIN*, has a default value of 1e-12 1/Ohm. To specify a different value:

- 1 If there is not an Environment Parameters block in the transistor circuit, add one.
- 2 In the **SPICE** settings of the Environment Parameters block, specify the desired *GMIN* value for the **GMIN** parameter.

Gate-Source Current-Voltage Model

This table shows the equations that define the relationship between the gate-source current, *I_{gs}*, and the gate-source voltage, *V_{gs}*. As applicable, the model parameters are first adjusted for temperature. For more information, see “Temperature Dependence” on page 1-1706.

Applicable Range of <i>V_{gs}</i> Values	Corresponding <i>I_{gs}</i> Equation
$V_{gs} > 80 * V_t$	$I_{gs} = IS_d * \left(\left(\frac{V_{gs}}{V_t} - 79 \right) e^{80} - 1 \right) + V_{gs} * Gmin$
$80 * V_t \geq V_{gs}$	$I_{gs} = IS_d * \left(e^{V_{gs}/V_t} - 1 \right) + V_{gs} * Gmin$

Where:

- *IS_d* is the geometry-adjusted saturation current.
- *V_t* is the thermal voltage, such that $V_t = ND * k * T / q$.
- *ND* is the emission coefficient.
- *q* is the elementary charge on an electron.
- *k* is the Boltzmann constant.
- *T* is the transistor temperature. For more information, see “Transistor Temperature” on page 1-1727
- *GMIN* is the transistor minimum conductance. or more information, see “Minimal Conduction” on page 1-1728

Gate-Drain Current-Voltage Model

This table shows the relationship between the gate-drain current, *I_{gd}*, and the gate-drain voltage, *V_{gd}*. As applicable, model parameters are first adjusted for temperature.

Applicable Range of <i>V_{gd}</i> Values	Corresponding <i>I_{gd}</i> Equation
$V_{gd} > 80 * V_t$	$I_{gd} = IS_d * \left(\left(\frac{V_{gd}}{V_t} - 79 \right) e^{80} - 1 \right) + V_{gd} * Gmin$
$80 * V_t \geq V_{gd}$	$I_{gd} = IS_d * \left(e^{V_{gd}/V_t} - 1 \right) + V_{gd} * Gmin$

Drain-Source Current-Voltage Model

This table shows the relationship between the drain-source current, *I_{ds}*, and the drain-source voltage, *V_{ds}*, in normal mode (*V_{ds}* ≥ 0). As applicable, model parameters are first adjusted for temperature.

Applicable Range of V_{gs} and V_{gd} Values	Corresponding I_{ds} Equation
$V_{gs} - V_{to} \leq 0$	$I_{ds} = 0$
$0 < V_{gs} - V_{to} \leq V_{ds}$	$I_{ds} = \beta_d (V_{gs} - V_{to})^2 (1 + \lambda V_{ds})$
$0 < V_{ds} < V_{gs} - V_{to}$	$I_{ds} = \beta_d V_{ds} (2(V_{gs} - V_{to}) - V_{ds}) (1 + \lambda V_{ds})$

Where:

- V_{to} is the threshold voltage.
- β_d is the geometry-adjusted transconductance.
- λ is the channel modulation.

This table shows the relationship between the drain-source current, I_{ds} , and the drain-source voltage, V_{ds} , in inverse mode ($V_{ds} < 0$). As applicable, model parameters are first adjusted for temperature.

Applicable Range of V_{gs} and V_{gd} Values	Corresponding I_{ds} Equation
$V_{gd} - V_{to} \leq 0$	$I_{ds} = 0$
$0 < V_{gd} - V_{to} \leq -V_{ds}$	$I_{ds} = -\beta_d (V_{gd} - V_{to})^2 (1 - \lambda V_{ds})$
$0 < -V_{ds} < V_{gd} - V_{to}$	$I_{ds} = \beta_d V_{ds} (2(V_{gd} - V_{to}) + V_{ds}) (1 - \lambda V_{ds})$

Junction Charge Model

This table shows the relationship between the gate-source charge, Q_{gs} , and the gate-source voltage, V_{gs} . As applicable, model parameters are first adjusted for temperature.

Applicable Range of V_{gs} Values	Corresponding Q_{gs} Equation
$V_{gs} < FC * VJ$	$Q_{gs} = \frac{CGS_d * VJ * \left(1 - \left(1 - \frac{V_{gs}}{VJ}\right)^{1 - MG}\right)}{1 - MG}$
$V_{gs} \geq FC * VJ$	$Q_{gs} = CGS_d * \left(F1 + \frac{F3 * (V_{gs} - FC * VJ) + \frac{MG * (V_{gs}^2 - (FC * VJ)^2)}{2 * VJ}}{F2} \right)$

Where:

- FC is the capacitance coefficient.
- VJ is the junction potential.
- CGS_d is the zero-bias gate-source capacitance.
- MG is the grading coefficient.
- $F1 = \frac{VJ * (1 - (1 - FC)^{1 - MG})}{1 - MG}$

- $F2 = (1 - FC)^{1 + MG}$
- $F3 = 1 - FC * (1 + MG)$

This table shows the relationship between the gate-drain charge, Q_{gd} , and the gate-drain voltage, V_{gd} . As applicable, model parameters are first adjusted for temperature.

Applicable Range of V_{gd} Values	Corresponding Q_{gd} Equation
$V_{gd} < FC * VJ$	$Q_{gd} = \frac{CGD_d * VJ * \left(1 - \left(1 - \frac{V_{gd}}{VJ}\right)^{1 - MG}\right)}{1 - MG}$
$V_{gd} \geq FC * VJ$	$Q_{gd} = CGD_d * \left(F1 + \frac{F3 * (V_{gd} - FC * VJ) + \frac{MG * (V_{gd}^2 - (FC * VJ)^2)}{2 * VJ}}{F2} \right)$

Where CGD_d is the geometry-adjusted zero-bias gate-drain capacitance.

Temperature Dependence

The block provides this relationship between the saturation current IS and the transistor temperature T :

$$IS(T) = IS_d * (T/T_{meas})^{\frac{XTI}{ND}} * e^{\left(\frac{T}{T_{meas}} - 1\right) * \frac{EG}{V_t}}$$

Where:

- IS_d is the geometry-adjusted saturation current.
- T_{meas} is the parameter extraction temperature.
- XTI is the saturation current temperature exponent.
- EG is the energy gap.
- V_t is the thermal voltage, such that $V_t = ND * k * T / q$.
- ND is the emission coefficient.

The relationship between the junction potential, VJ , and the transistor temperature T is

$$VJ(T) = VJ * \left(\frac{T}{T_{meas}}\right) - \frac{3 * k * T}{q} * \log\left(\frac{T}{T_{meas}}\right) - \left(\frac{T}{T_{meas}}\right) * EG_{T_{meas}} + EG_T$$

Where:

- VJ is the junction potential.
- $EG_{T_{meas}} = 1.16eV - (7.02e - 4 * T_{meas}^2) / (T_{meas} + 1108)$
- $EG_T = 1.16eV - (7.02e - 4 * T^2) / (T + 1108)$

The relationship between the gate-source junction capacitance, CGS , and the transistor temperature, T :

$$CGS(T) = CGS_d * \left[1 + MG * \left(400e - 6 * (T - T_{meas}) - \frac{VJ(T) - VJ}{VJ} \right) \right]$$

Where CGS_d is the geometry-adjusted zero-bias gate-source capacitance.

The block uses the $CGS(T)$ equation to calculate the gate-drain junction capacitance by substituting CGD_d , the zero-bias gate-drain capacitance, for CGS_d .

The relationship between the transconductance, β , and the transistor temperature T is

$$\beta(T) = \beta_d * \left(\frac{T}{T_{meas}} \right)$$

Where β_d is the geometry-adjusted transconductance.

Assumptions and Limitations

- The block does not support noise analysis.
- The block applies initial conditions across junction capacitors and not across the block ports.

Ports

Conserving

gx – Gate terminal

electrical

Electrical conserving port associated with the transistor gate terminal.

dx – Drain terminal

electrical

Electrical conserving port associated with the transistor drain terminal.

sx – Source terminal

electrical

Electrical conserving port associated with the transistor source terminal.

Parameters

Main

Device area, AREA – Device area

1.0 m² (default) | positive scalar

Transistor area. The value must be greater than 0.

Number of parallel devices, SCALE – Number of parallel devices

1 (default) | positive integer

Number of parallel transistors the block represents. The value must be an integer greater than 0.

Threshold voltage, VT0 – Threshold voltage

-2 V (default) | scalar

Gate-source voltage above which the transistor produces a nonzero drain current.

Transconductance, BETA — Channel modulation

$1e-4 \text{ A/m}^2/\text{V}^2$ (default) | nonnegative scalar

Derivative of drain current with respect to gate voltage. The value must be greater than or equal to 0.

Channel modulation, LAMBDA — Channel modulation

0 1/V (default) | scalar

Channel modulation.

Saturation current, IS — Saturation current

$1e-14 \text{ A/m}^2$ (default) | nonnegative scalar

Magnitude of the current that the gate-current equation approaches asymptotically for very large reverse bias levels. The value must be greater than or equal to 0.

Drain resistance, RD — Series resistance

0.01 $\text{m}^2 \cdot \Omega$ (default) | nonnegative scalar

Transistor drain resistance. The value must be greater than or equal to 0.

Source resistance, RS — Series resistance

0.0001 $\text{m}^2 \cdot \Omega$ (default) | nonnegative scalar

Transistor source resistance. The value must be greater than or equal to 0.

Emission coefficient, N — Emission coefficient

1 (default) | positive scalar

Transistor emission coefficient or ideality factor. The value must be greater than 0.

Junction Capacitance**Model junction capacitance — Junction capacitance model**

No (default) | Yes

Options for modeling the junction capacitance:

- No — Do not include junction capacitance in the model.
- Yes — Specify zero-bias junction capacitance, junction potential, grading coefficient, forward-bias depletion capacitance coefficient, and transit time.

Dependencies

Selecting Yes exposes related parameters.

Zero-bias GS capacitance, CGS — Zero-bias junction capacitance

0 F/ m^2 (default) | nonnegative scalar

Value of the capacitance placed between the gate and the source. The value must be greater than or equal to 0.

Dependencies

This parameter is only visible when you select Yes for the **Model junction capacitance** parameter.

Zero-bias GD capacitance, CGD — Zero-bias junction capacitance

0 F/m^2 (default) | nonnegative scalar

Value of the capacitance placed between the gate and the drain. The value must be greater than or equal to 0.

Dependencies

This parameter is only visible when you select Yes for the **Model junction capacitance** parameter.

Junction potential, VJ — Junction potential

1 V (default) | $VJ > 0.01$ | scalar

Junction potential, VJ . The value must be greater than 0.01 V.

Dependencies

This parameter is only visible when you select Yes for the **Model junction capacitance** parameter.

Grading coefficient, M — Grading coefficient

0.5 (default) | $0 < M < 0.9$ | scalar

Grading coefficient, M . The value must be greater than 0 and less than 0.9.

Dependencies

This parameter is only visible when you select Yes for the **Model junction capacitance** parameter.

Capacitance coefficient, FC — Capacitance coefficient

0.5 (default) | $0 \leq FC < 0.95$ | scalar

Fitting coefficient, FC , that quantifies the decrease of the depletion capacitance with applied voltage. The value must be greater than or equal to 0 and less than 0.95.

Dependencies

This parameter is only visible when you select Yes for the **Model junction capacitance** parameter.

Specify initial condition — Initial condition model

No (default) | Yes

Options for specifying initial conditions:

- No — Do not specify an initial condition for the model.
- Yes — Specify the initial transistor voltage.

Note The SPICE NJFET block applies the initial transistor voltage across the junction capacitors and not across the ports.

Dependencies

This parameter is only visible when you select Yes for the **Model junction capacitance** parameter.

Selecting Yes for this parameter exposes the **Initial condition voltage, ICVDS** and **Initial condition voltage, ICVGS** parameters.

Initial condition voltage, ICVDS — Initial voltage

0 V (default) | scalar

Drain-source voltage at the start of the simulation.

Dependencies

This parameter is only visible when you select Yes for the **Model junction capacitance** and Yes for the **Specify initial condition** parameter.

Initial condition voltage, ICVGS — Initial voltage

0 V (default) | scalar

Gate-source voltage at the start of the simulation.

Dependencies

This parameter is only visible when you select Yes for the **Model junction capacitance** and Yes for the **Specify initial condition** parameter.

Temperature**Model temperature dependence using — Temperature dependence model**

Device temperature (default) | Fixed temperature

Select one of these options for modeling the transistor temperature dependence:

- **Device temperature** — Use the device temperature to model temperature dependence.
- **Fixed temperature** — Use a temperature that is independent of the circuit temperature to model temperature dependence.

For more information, see “Transistor Temperature” on page 1-1727.

Dependencies

Selecting **Device temperature** exposes the **Offset local circuit temperature, TOFFSET** parameter. Selecting **Fixed temperature** exposes the **Fixed circuit temperature, TFIXED** parameter.

Saturation current temperature exponent, XTI — Saturation current temperature exponent

0 (default) | positive scalar

Order of the exponential increase in the saturation current as temperature increases. The value must be greater than 0.

Activation energy, EG — Activation energy

1.11 eV (default) | $EG \geq 0.1$ | scalar

Transistor activation energy. The value must be greater than or equal to 0.1.

Fixed circuit temperature, TFIXED — Fixed circuit temperature

300.15 K (default) | positive scalar

Transistor simulation temperature. The value must be greater than 0.

Dependencies

This parameter is only visible when you select Fixed temperature for the **Model temperature dependence using** parameter.

Parameter extraction temperature, TMEAS — Parameter extraction temperature

300.15 K (default) | positive scalar

Temperature at which the transistor parameters are measured. The value must be greater than 0.

Offset local circuit temperature, TOFFSET — Local circuit temperature offset

0 K (default) | scalar

Amount by which the transistor temperature differs from the circuit temperature.

Dependencies

This parameter is only visible when you select Device temperature for the **Model temperature dependence using** parameter.

References

[1] G. Massobrio and P. Antognetti. *Semiconductor Device Modeling with SPICE*. 2nd Edition. New York: McGraw-Hill, 1993.

Extended Capabilities**C/C++ Code Generation**

Generate C and C++ code using Simulink® Coder™.

See Also**Simscape Blocks**

Environment Parameters | N-Channel JFET | SPICE PJFET

Functions

subcircuit2ssc

Topics

“Additional Parameterization Workflows”

“Converting a SPICE Netlist to Simscape Blocks”

“Parameterize an Exponential Diode from SPICE Netlist”

Introduced in R2008a

SPICE NMOS

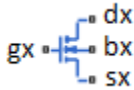
SPICE-compatible N-Channel MOSFET

Library: Simscape / Electrical / Additional Components / SPICE Semiconductors



Description

The SPICE NMOS block represents a SPICE-compatible negative-channel (N-Channel) metal-oxide semiconductor (MOS) field-effect transistor (FET). If the gate-source voltage increases the channel conductance increases. If the gate-source voltage is decreased, the channel conductance decreases.



SPICE, or Simulation Program with Integrated Circuit Emphasis, is a simulation tool for electronic circuits. You can convert some SPICE subcircuits into equivalent Simscape Electrical models using the Environment Parameters block and SPICE-compatible blocks from the “Additional Components” library. For more information, see `subcircuit2ssc`.

Equation Variables

Variables for the SPICE NMOS block equations include:

- Variables that you define by specifying parameters for the SPICE NMOS block. The visibility of some of the parameters depends on the value that you set for other parameters. For more information, see “Parameters” on page 1-1757.
- Geometry-adjusted variables, which depend on several of the values that you specify using parameters for the SPICE NMOS block. For more information, see “Geometry-Adjusted Variables” on page 1-1736.
- Temperature, T , which is 300.15 K by default. You can use a different value by specifying parameters for the SPICE NMOS block or by specifying parameters for both the SPICE NMOS block and an Environment Parameters block. For more information, see “Transistor Temperature” on page 1-1737.
- Minimal conductance, $GMIN$, which is $1e-12$ 1/Ohm by default. You can use a different value by specifying a parameter for an Environment Parameters block. For more information, see “Minimal Conduction” on page 1-1738.
- Thermal voltage, V_{tn} . For more information, see “Thermal Voltage” on page 1-1738.

Geometry-Adjusted Variables

Several variables in the equations for the SPICE N-channel MOSFET model consider the geometry of the device that the block represents. These geometry-adjusted variables depend on variables that you define by specifying SPICE NMOS block parameters. The geometry-adjusted variables depend on these variables:

- *AREA* — Area of the device
- *SCALE* — Number of parallel connected devices
- The associated unadjusted variable

The table includes the geometry-adjusted variables and the defining equations.

Variable	Description	Equation
KP_d	Geometry-adjusted transconductance	$KP_d = KP * AREA * SCALE$
IS_d	Geometry-adjusted bulk saturation current	$IS_d = IS * AREA * SCALE$
JS_d	Geometry-adjusted bulk junction saturation current density	$JS_d = JS * AREA * SCALE$
CBD_d	Geometry-adjusted zero-bias bulk-drain capacitance	$CBD_d = CBD * AREA * SCALE$
CBS_d	Geometry-adjusted zero-bias bulk-source capacitance	$CBS_d = CBS * AREA * SCALE$
$CGSO_d$	Geometry-adjusted gate-source overlap capacitance	$CGSO_d = CGSO * AREA * SCALE$
$CGDO_d$	Geometry-adjusted gate-drain overlap capacitance	$CGDO_d = CGDO * AREA * SCALE$
$CGBO_d$	Geometry-adjusted gate-bulk overlap capacitance	$CGBO_d = CGBO * AREA * SCALE$
CJ	Geometry-adjusted bottom capacitance per junction area	$CJ_d = CJ * AREA * SCALE$
$CJSW$	Geometry-adjusted sidewall capacitance per junction perimeter	$CJSW_d = CJSW * AREA * SCALE$
RD_d	Geometry-adjusted drain resistance	$RD_d = \frac{RD}{AREA * SCALE}$
RS_d	Geometry-adjusted source resistance	$RS_d = \frac{RS}{AREA * SCALE}$
RSH_d	Geometry-adjusted sheet resistance	$RSH_d = \frac{RSH}{AREA * SCALE}$

Transistor Temperature

There are two different options for defining transistor temperature, T :

- Fixed temperature — The block uses a temperature that is independent of the circuit temperature when the **Model temperature dependence using** parameter in the **Temperature** settings of the SPICE NMOS block is set to Fixed temperature. For this model, the block sets T equal to *TFIXED*.
- Device temperature — The block uses a temperature that depends on circuit temperature when the **Model temperature dependence using** parameter in the **Temperature** settings of the SPICE NMOS block is set to Device temperature. For this model, the block defines temperature as

$$T = T_C + TOFFSET$$

Where:

- T_C is the circuit temperature.

If there is not an Environment Parameters block in the circuit, T_C is equal to 300.15 K.

If there is an Environment Parameters block in the circuit, T_C is equal to the value that you specify for the **Temperature** parameter in the **SPICE** settings of the Environment Parameters block. The default value for the **Temperature** parameter is 300.15 K.

- $TOFFSET$ is the offset local circuit temperature.

Minimal Conduction

Minimal conductance, $GMIN$, has a default value of $1e-12$ 1/0hm. To specify a different value:

- 1 If there is not already an Environment Parameters block in the circuit, add one.
- 2 In the **SPICE** settings of the Environment Parameters block, specify the desired $GMIN$ value for the **GMIN** parameter.

Thermal Voltage

V_{tn} is the thermal voltage, which is defined as

$$V_{tn} = N \frac{k * T}{q}$$

Where:

- N is the emission coefficient.
- T is the transistor temperature. For more information, see “Transistor Temperature” on page 1-1737.
- k is the Boltzmann constant.
- q is the elementary charge on an electron.

Parameters Calculations

The tables show how the SPICE NMOS block determines some of its parameters based on values that you specify.

Drain Resistance

Parameter Values			Geometry-Adjusted Transistor Drain Resistance
Drain resistance, RD	Sheet resistance, RSH	Number of drain squares, NRD	
NaN	NaN	NaN	0
NaN	RSH	NaN	0
NaN	NaN	NRD	0
RD	NaN or RSH	NaN or NRD	RD_d
NaN	RSH	NRD	$RSH_d * NRD$

Source Resistance

Parameter Values			Geometry-Adjusted Transistor Source Resistance
Source resistance, RS	Sheet resistance, RSH	Number of source squares, NRS	
NaN	NaN	NaN	0
NaN	RSH	NaN	0
NaN	NaN	NRS	0
RS	NaN or RSH	NaN or NRS	RS_d
NaN	RSH	NRS	$RSH_d * NRS$

Transconductance and Surface Mobility

Parameter Values			Geometry-Adjusted Transconductance (level 1), in A/V ²	Geometry-Adjusted Transconductance (level 3), in A/V ²	Surface mobility (level 3), in cm ² /s/V
Oxide thickness, TOX	Surface mobility, U0	Transconductance, KP			
NaN	NaN	NaN	2e-5 (default value)	2e-5 (default value)	600 (default value)
NaN	NaN	KP	KP_d	KP_d	600
NaN	U0	NaN	2e-5	$U0 * EPXox / 1e-7$	U0
NaN	U0	KP	KP_d	KP_d	U0
TOX	NaN	NaN	$600 * EPXox / TOX$	$600 * EPXox / TOX$	600
TOX	NaN	KP	KP_d	KP_d	600
TOX	U0	NaN	$U0 * EPXox / TOX$	$U0 * EPXox / TOX$	U0
TOX	U0	KP	KP_d	KP_d	U0

Oxide Thickness and Threshold Voltage

Parameter Values				Surface potential, PHI (level 1), in V	Threshold voltage, VTO (level 1), in V	Surface potential, PHI (level 3), in V	Threshold voltage, VTO (level 3), in V
Oxide thickness, TOX	Substrate doping, NSUB	Surface potential, PHI	Threshold voltage, VTO				
NaN	NaN	NaN	NaN	0.6 (default value)	0 (default value)	0.6 (default value)	0 (default value)
NaN	NaN	NaN	VTO	0.6	VTO	0.6	VTO
NaN	NaN	PHI	NaN	PHI	0	PHI	0
NaN	NaN	PHI	VTO	PHI	VTO	PHI	VTO
NaN	NSUB	NaN	NaN	0.6	0	PHI (1e-7, NSUB)	VTO (1e-7, NSUB)
NaN	NSUB	NaN	VTO	0.6	VTO	PHI (1e-7, NSUB)	VTO
NaN	NSUB	PHI	NaN	PHI	0	PHI	VTO (1e-7, NSUB)
NaN	NSUB	PHI	VTO	PHI	VTO	PHI	VTO
TOX	NaN	NaN	NaN	0.6	0	0.6	0
TOX	NaN	NaN	VTO	0.6	VTO	0.6	VTO
TOX	NaN	PHI	NaN	PHI	0	PHI	0
TOX	NaN	PHI	VTO	PHI	VTO	PHI	VTO
TOX	NSUB	NaN	NaN	PHI (NSUB, TOX)	VTO (NSUB, TOX)	PHI (NSUB, TOX)	VTO (NSUB, TOX)
TOX	NSUB	NaN	VTO	PHI (NSUB, TOX)	VTO	PHI (NSUB, TOX)	VTO
TOX	NSUB	PHI	NaN	PHI	VTO (NSUB, TOX)	PHI	VTO (NSUB, TOX)
TOX	NSUB	PHI	VTO	PHI	VTO	PHI	VTO

Where PHI (NSUB, TOX), PHI (1e-7, NSUB), VTO (NSUB, TOX), and VTO (1e-7, NSUB) are obtained using these equations:

$$PHI = 2 \frac{kT}{q} \ln \left(\frac{NSUB}{ni} \right)$$

$$GAMMA = \frac{\sqrt{2q\epsilon_{si}NSUB}}{C_{ox}}$$

$$V_{FB} = \varphi_{MS} - \frac{qNSS}{C_{ox}}$$

$$V_{T0} = V_{FB} + PHI + GAMMA * \sqrt{PHI}.$$

Bulk-Source Diode Model

The table shows the equations that define the relationship between the bulk-source current, I_{bs} , and the bulk-source voltage, V_{bs} . As applicable, the model parameters are first adjusted for temperature. For more information, see “Temperature Dependence” on page 1-1753.

Applicable Range of V_{bs} Values	Corresponding I_{bs} Equation
$V_{bs} > 80 * V_{tn}$	$I_{bs} = IS_{bs} * \left(\left(\frac{V_{bs}}{V_{tn}} - 79 \right) e^{80} - 1 \right) + V_{bs} * G_{min}$
$80V_{tn} \geq V_{bs}$	$I_{bs} = IS_{bs} * \left(e^{V_{bs}/V_{tn}} - 1 \right) + V_{bs} * G_{min}$

Where:

- IS_{bs} is the bulk saturation current, such that, if:
 - $JS_d \neq 0$ and $AS \neq 0$, $IS_{bs} = JS_d * AS$.

Where:

- JS_d is the geometry-adjusted bulk junction saturation current density.
- AS is the source area.
- If $JS_d = 0$ or $AS = 0$, $IS_{bs} = IS_d$, where IS_d is the geometry-adjusted bulk saturation current.
- V_{tn} is the thermal voltage. For more information, see “Thermal Voltage” on page 1-1738.
- G_{min} is the minimal conductance. For more information, see “Minimal Conduction” on page 1-1738.

Bulk-Drain Diode Model

The table shows the equations that define the relationship between the bulk-drain current I_{bd} , and the bulk-drain voltage, V_{bd} . As applicable, the model parameters are first adjusted for temperature. For more information, see “Temperature Dependence” on page 1-1753.

Applicable Range of V_{bd} Values	Corresponding I_{bd} Equation
$V_{bd} > 80 * V_{tn}$	$I_{bd} = IS_{bd} * \left(\left(\frac{V_{bd}}{V_{tn}} - 79 \right) e^{80} - 1 \right) + V_{bd} * G_{min}$
$80V_{tn} \geq V_{bd}$	$I_{bd} = IS_{bd} * \left(e^{V_{bd}/V_{tn}} - 1 \right) + V_{bd} * G_{min}$

Where:

- IS_{bd} is the bulk drain current, such that:
 - If $JS_d \neq 0$ and $AD \neq 0$, $IS_{bd} = JS_d * AD$.

Where:

- JS_d is the geometry-adjusted bulk junction saturation current density.
- AD is the drain area.
- If $JS_d = 0$ or $AD = 0$, $IS_{bd} = IS_d$, where IS_d is the geometry-adjusted bulk saturation current.
- V_{tn} is the thermal voltage. For more information, see “Thermal Voltage” on page 1-1738.
- G_{min} is the minimal conductance. For more information, see “Minimal Conduction” on page 1-1738.

Level 1 Drain Current Model

This table shows relationship between the drain current, I_d , and the drain-source voltage, V_{ds} , in normal mode ($V_{ds} \geq 0$). As applicable, model parameters are first adjusted for temperature.

Normal Mode

Applicable Range of V_{gs} and V_{ds} Values	Corresponding I_d Equation
$V_{gs} - V_{on} \leq 0$	$I_d = 0$
$0 < V_{gs} - V_{on} \leq V_{ds}$	$I_d = BETA * (V_{gs} - V_{on})^2 \frac{(1 + LAMBDA * V_{ds})}{2}$
$0 < V_{ds} < V_{gs} - V_{on}$	$I_d = BETA * V_{ds} \left((V_{gs} - V_{on}) - \frac{V_{ds}}{2} \right) (1 + LAMBDA * V_{ds})$

Where:

- V_{on} depends on V_{bs} and PHI .

Applicable Relationship of V_{bs} and PHI Values	Corresponding V_{on} Equation
$V_{bs} \leq 0$	$V_{on} = MTYPE * VBI + GAMMA * \sqrt{PHI - V_{bs}}$
$0 < V_{bs} \leq 2 * PHI$	$V_{on} = MTYPE * VBI + GAMMA \left(\sqrt{PHI} - \frac{V_{bs}}{2\sqrt{PHI}} \right)$
$V_{bs} > 2 * PHI$	$V_{on} = MTYPE * VBI$

- $MTYPE$ is 1.
- $BETA$ is $BETA = (KP_d * WIDTH) / (LENGTH - 2 * LD)$
- KP is:
 - The **Transconductance, KP**, if this parameter has a numerical value.
 - $U0 * 3.9 * \epsilon_0 / TOX$, if **Transconductance, KP** is NaN and you specify values for both the **Oxide thickness, TOX** and **Substrate doping, NSUB** parameters.
- $WIDTH$ is the channel width.
- $LENGTH$ is the channel length.
- LD is the lateral diffusion.

- V_{BI} is a built-in voltage value the block uses in calculations. The value is a function of temperature. For a detailed definition, see “Temperature Dependence” on page 1-1753.
- PHI is:
 - The **Surface potential, PHI**, if this parameter has a numerical value.
 - $2 * kT_{meas} / q * \log(NSUB / n_i)$, if **Surface potential, PHI** is NaN and you specify values for both the **Oxide thickness, TOX** and **Substrate doping, NSUB** parameters.
- $LAMBDA$ is the channel modulation.
- $GAMMA$ is:
 - The **Bulk threshold, GAMMA**, if this parameter has a numerical value.
 - $TOX * \sqrt{2 * 11.7 * \epsilon_0 * q * NSUB} / (3.9 * \epsilon_0)$, if **Bulk threshold, GAMMA** is NaN and you specify values for both the **Oxide thickness, TOX** and **Substrate doping, NSUB** parameters.
- ϵ_0 is the permittivity of free space, $8.854214871e-12$ F/m.
- n_i is the carrier concentration of intrinsic silicon, $1.45e10$ cm⁻³.

This table shows relationship between the drain current I_d and the drain-source voltage V_{ds} in inverse mode ($V_{ds} < 0$). As applicable, model parameters are first adjusted for temperature.

Inverse Mode

Applicable Range of V_{gd} and V_{ds} Values	Corresponding I_d Equation
$V_{gd} - V_{on} \leq 0$	$I_d = 0$
$0 < V_{gd} - V_{on} \leq -V_{ds}$	$I_d = -BETA(V_{gd} - V_{on})^2(1 - LAMBDA * V_{ds})/2$
$0 < -V_{ds} < V_{gd} - V_{on}$	$I_d = BETA * V_{ds}((V_{gd} - V_{on}) + V_{ds}/2)(1 - LAMBDA * V_{ds})$

V_{on} depends on V_{bd} and PHI .

Applicable Relationship of V_{bs} and PHI Values	Corresponding V_{on} Equation
$V_{bd} \leq 0$	$V_{on} = MTYPE * V_{BI} + GAMMA \sqrt{PHI - V_{bd}}$
$0 < V_{bd} \leq 2 * PHI$	$V_{on} = MTYPE * V_{BI} + GAMMA \left(\sqrt{PHI} - \frac{V_{bs}}{2\sqrt{PHI}} \right)$
$V_{bd} > 2 * PHI$	$V_{on} = MTYPE * PHI$

Level 3 Drain Current Model

The block provides the following model for drain current I_{ds} in normal mode ($V_{ds} \geq 0$) after adjusting the applicable model parameters for temperature.

$$I_{DS} = I_{DS0} * Scale_{VMAX} * Scale_{LChan} * Scale_{INV}$$

Where:

- I_{DS0} is the Basic Drain Current Model on page 1-1744.
- $Scale_{VMAX}$ is the Velocity Saturation Scaling on page 1-1746.

- $Scale_{LChan}$ is the Channel Length Modulation Scaling on page 1-1746.
- $Scale_{INV}$ is the Weak Inversion Scaling on page 1-1747.

The block uses the same model for drain current in inverse mode ($V_{ds} < 0$), with the following substitutions:

$$V_{bs} \equiv V_{bs} - V_{ds}$$

$$V_{gs} \equiv V_{gs} - V_{ds}$$

$$V_{ds} \equiv -V_{ds}$$

Basic Drain Current Model

The relationship between the drain current, I_{ds} , and the drain-source voltage, V_{ds} is

$$I_{DS0} = BETA * F_{gate} * \left(V_{GSX} - V_{TH} - \frac{1 + F_B}{2} * V_{DSX} \right) * V_{DSX}$$

Where:

- $BETA$ is calculated as described in “Level 1 Drain Current Model” on page 1-1742.
- F_{GATE} is calculated as

$$F_{gate} = \frac{1}{1 + THETA * (V_{gsx} - V_{TH})}$$

Where:

- $THETA$ models the dependence of the mobility on the gate-source voltage.
- $V_{gsx} = \max(V_{GS}, V_{on})$
- If you specify a nonzero value for the **Fast surface state density, NFS** parameter, the block calculates V_{on} using this equation:

$$V_{on} = V_{TH} + x_n V_T$$

Otherwise,

$$V_{on} = V_{TH}$$

- The block calculates x_n as

$$x_n = 1 + \frac{q * NFS}{COX} + \frac{\left(GAMMA * F_s * \sqrt{V_{bulk}} + \frac{F_n * V_{bulk}}{WIDTH} \right)}{2 * V_{bulk}}$$

- The block calculates V_{bulk} as follows:

- If

$$V_{BS} \leq 0,$$

$$V_{bulk} = PHI - V_{BS}.$$

- Otherwise, the block calculates V_{bulk} as

$$V_{bulk} = \frac{PHI}{\left(1 + \frac{V_{BS}}{2 * PHI}\right)^2}$$

- Thermal voltage such that

$$V_T = \frac{kT}{q}$$

- The block calculates V_{TH} using the following equation:

$$V_{TH} = V_{BI} - \frac{8.15e^{-22} * ETA}{COX * (LENGTH - 2 * LD)^3} * V_{DS} + GAMMA * F_s * \sqrt{V_{bulk}} + F_n * V_{bulk}$$

For information about how the block calculates V_{BI} , see “Temperature Dependence” on page 1-1753.

- ETA is the **Vds dependence threshold volt, ETA**.

- $COX = \frac{\epsilon_{ox}}{TOX}$,

Where ϵ_{ox} is the permittivity of the oxide and TOX is the **Oxide thickness, TOX**.

- If you specify a nonzero value for the **Junction depth, XJ** parameter and a value for the **Substrate doping, NSUB** parameter, the block calculates F_s using these equations:

$$\alpha = \frac{2\epsilon_{si}}{qNSUB}$$

$$XD = \sqrt{\alpha}$$

$$wc = .0631353 + .8013292 * \frac{XD * \sqrt{V_{bulk}}}{XJ} - .01110777 * \left(\frac{XD * \sqrt{V_{bulk}}}{XJ}\right)^2 + \frac{LD}{XJ}$$

$$F_s = 1 - \left(wc * \sqrt{1 - \left(\frac{XD * \sqrt{V_{bulk}}}{XJ + XD * \sqrt{V_{bulk}}}\right)^2} - \frac{LD}{XJ} \right)$$

Where ϵ_{si} is the permittivity of silicon.

Otherwise,

$$F_s = 1$$

- The block calculates F_B as

$$F_B = \frac{GAMMA * F_s}{4 * \sqrt{V_{bulk}}} + F_n$$

- The block calculates F_n as

$$F_n = \frac{DELTA * \pi * \epsilon_{si}}{2 * COX * WIDTH}$$

- $DELTA$ is the width effect on threshold.

- V_{DSX} is the lesser of V_{DS} and the saturation voltage, V_{dsat} .
- If you specify a positive value for the **Max carrier drift velocity, VMAX** parameter, the block calculates V_{dsat} using the following equation:

$$V_{dsat} = \frac{V_{gsx} - V_{TH}}{1 + F_B} + \frac{(LENGTH - 2 * LD) * VMAX}{UO * F_{gate}}$$

$$- \sqrt{\left(\frac{V_{gsx} - V_{TH}}{1 + F_B}\right)^2 + \left(\frac{(LENGTH - 2 * LD) * VMAX}{UO * F_{gate}}\right)^2}$$

Otherwise, the block calculates V_{dsat} as

$$V_{dsat} = \frac{V_{gsx} - V_{TH}}{1 + F_B}$$

Velocity Saturation Scaling

If you specify a positive value for the **Max carrier drift velocity, VMAX** parameter, the block calculates $Scale_{VMAX}$ as

$$Scale_{VMAX} = \frac{1}{1 + \frac{UO * F_{gate}}{(LENGTH - 2 * LD) * VMAX} * V_{DSX}}$$

Otherwise,

$$Scale_{VMAX} = 1$$

Channel Length Modulation Scaling

The block scales the drain current to account for channel length modulation if the block meets all of the following criteria:

- $V_{DS} > V_{dsat}$
- The **Max carrier drift velocity, VMAX** is less than or equal to zero or α is nonzero.

The block scales the drain current using the following equation:

$$Scale_{LChan} = \frac{1}{1 - \frac{\Delta l}{(LENGTH - 2 * LD)}}$$

To calculate Δl the block:

- 1 Calculates the intermediate value Δl_0 .
 - If you specify a positive value for the **Max carrier drift velocity, VMAX** parameter, the block computes the intermediate value g_{dsat} as the greater of 1e-12 and the result of the following equation:

$$I_{DS0} * \left(1 - \frac{1}{1 + Scale_{gdsat} * V_{DSX}}\right) * Scale_{gdsat}$$

Where:

$$Scale_{g_{dsat}} = \frac{UO * F_{gate}}{(LENGTH - 2 * LD) * VMAX}$$

Then, the block uses the following equation to calculate the intermediate value Δl_0 :

$$\Delta l_0 = \sqrt{\left(\frac{KA * I_{DS}}{2 * (LENGTH - 2 * LD) * g_{dsat}} \right)^2 + KA * (V_{DS} - V_{dsat})} - \frac{KA * I_{DS}}{2 * (LENGTH - 2 * LD) * g_{dsat}}$$

Where

$$KA = KAPPA * \alpha .$$

- Otherwise, the block uses the following equation to calculate the intermediate value Δl_0 as

$$\Delta l = \sqrt{KA * (V_{DS} - V_{dsat})}$$

- 2 The block checks for punch through and calculates Δl .

- If

$$\Delta l_0 > (LENGTH - 2 * LD) / 2,$$

the block calculates Δl using the following equation:

$$\Delta l = \left(1 - \frac{(LENGTH - 2 * LD)}{4 * \Delta l_0} \right) * (LENGTH - 2 * LD)$$

- Otherwise,

$$\Delta l = \Delta l_0 .$$

Weak Inversion Scaling

If V_{GS} is less than V_{on} , the block calculates $Scale_{INV}$ using the following equation:

$$Scale_{INV} = e^{\frac{V_{gs} - V_{on}}{\alpha_n * V_T}}$$

Otherwise,

$$Scale_{INV} = 1$$

Junction Charge Model

The block models “Junction Overlap Charges” on page 1-1747 and “Bulk Junction Charges” on page 1-1748.

Junction Overlap Charges

The block calculates the following junction overlap charges:

- $Q_{GS} = CGSO_d * WIDTH * V_{gs}$

Where:

- Q_{GS} is the gate-source overlap charge.
- $CGSO_d$ is the geometry adjusted gate-source overlap capacitance.
- $WIDTH$ is the channel width.
- $Q_{GD} = CGDO_d * WIDTH * V_{gd}$

Where:

- Q_{GD} is the gate-drain overlap charge.
- $CGDO_d$ is the geometry adjusted gate-drain overlap capacitance.
- $Q_{GB} = CGBO_d * (LENGTH - 2 * LD) * V_{gb}$

Where:

- Q_{GB} is the gate-bulk overlap charge.
- $CGBO_d$ is the geometry adjusted gate-bulk overlap capacitance.
- $LENGTH$ is the channel length.
- LD is the lateral diffusion.

Bulk Junction Charges

This table shows relationship between the bulk-drain bottom junction charge Q_{bottom} and the junction voltage, V_{bd} . As applicable, model parameters are first adjusted for temperature.

Applicable Range of V_{bd} Values	Corresponding Q_{bottom} Equation
$V_{bd} < FC * PB$	$Q_{bottom} = \frac{CBD_d * PB * \left(1 - \left(1 - \frac{V_{bd}}{PB}\right)^{1 - MJ}\right)}{1 - MJ} \text{ if } CBD_d > 0$ $Q_{bottom} = \frac{CJ_d * AD * PB * \left(1 - \left(1 - \frac{V_{bd}}{PB}\right)^{1 - MJ}\right)}{1 - MJ} \text{ otherwise.}$
$V_{bd} \geq FC * PB$	$Q_{bottom} = CBD_d * \left(F1 + \frac{F3 * (V_{bd} - FC * PB) + \frac{MJ * (V_{bd}^2 - (FC * PB)^2)}{2 * PB}}{F2} \right) \text{ if } CBD_d > 0$ $Q_{bottom} = CJ_d * AD * \left(F1 + \frac{F3 * (V_{bd} - FC * PB) + \frac{MJ * (V_{bd}^2 - (FC * PB)^2)}{2 * PB}}{F2} \right) \text{ otherwise.}$

Where:

- PB is the bulk junction potential.

- FC is the capacitance coefficient.
- CBD_d is the geometry-adjusted zero-bias bulk-drain capacitance.
- CJ_d is the geometry-adjusted bottom capacitance per junction area.
- AD is the drain area.
- MJ is the bottom grading coefficient.
- $$F1 = \frac{PB * (1 - (1 - FC)^{1 - MJ})}{1 - MJ}$$
- $$F2 = (1 - FC)^{1 + MJ}$$
- $$F3 = 1 - FC * (1 + MJ)$$

To calculate the bulk-source bottom junction charge, the block substitutes variables in the equations in the preceding table. The block substitutes:

- V_{bs} for V_{bd}
- AS for AD
- CBS_d for CBD_d

This table shows relationship between the bulk-drain sidewall junction charge $Q_{sidewall}$ and the junction voltage V_{bd} . As applicable, model parameters are first adjusted for temperature.

Applicable Range of V_{bd} Values	Corresponding $Q_{sidewall}$ Equation
$V_{bd} < FC * PB$	$Q_{sidewall} = \frac{CJSW_d * PD * PB * \left(1 - \left(1 - \frac{V_{bd}}{PB}\right)^{1 - MGSW}\right)}{1 - MGSW}$
$V_{bd} \geq FC * PB$	$Q_{sidewall} = CJSW_d * PD * \left(F1 + \frac{F3 * (V_{bd} - FC * PB) + \frac{MGSW * (V_{bd}^2 - (FC * PB)^2)}{2 * PB}}{F2} \right)$

Where:

- $CJSW_d$ is the geometry adjusted sidewall capacitance per junction perimeter.
- PD is the drain perimeter.
- $MGSW$ is the side grading coefficient.
- $$F1 = \frac{PB * (1 - (1 - FC)^{1 - MJSW})}{1 - MJSW}$$
- $$F2 = (1 - FC)^{1 + MJSW}$$
- $$F3 = 1 - FC * (1 + MJSW)$$

To calculate the bulk-source sidewall junction charge and the sidewall junction voltage, the block substitutes variables in the equations in the preceding table. The block substitutes:

- V_{bs} for V_{bd}
- PS for PD

Capacitance Model

The SPICE NMOS block allows you to model the transistor capacitance model in three different ways:

- No intrinsic capacitance model
- “Meyer Gate Capacitance Model” on page 1-1750
- “Charge Conservation Capacitance Model” on page 1-1751

Meyer Gate Capacitance Model

This table shows the relationship between the operational regions of the transistor and the gate-bulk, gate-drain, and gate-source capacitances.

Operational region	Gate-Bulk, C_{gb} , Gate-Drain, C_{gd} , and Gate-Source, C_{gs} , Equations	
Accumulation region, $V_{gb} < V_{FB}$	$C_{gb} = Cox_t$ $C_{gd} = 0$ $C_{gs} = 0$	
Depletion region, $V_{gs} < V_{TH}$	$C_{gb} = \frac{Cox_t}{\sqrt{1 + \frac{4}{GAMMA^2} * (V_{gb} - V_{FB})}}$ $C_{gd} = 0$ $C_{gs} = 0$	
Saturation region, $V_{gs} - V_{TH} < V_{ds}$	if $V_{ds} < V_{satmin}$ then:	if $V_{ds} \geq V_{satmin}$ then:
	$C_{gb} = 0$ $C_{gd} = \frac{2}{3}(Cox_t - C_{gb}) \left(1 - \frac{(V_{satmin})^2}{(2V_{satmin} - V_{ds})^2} \right)$ $C_{gs} = \frac{2}{3}(Cox_t - C_{gb}) \left(1 - \frac{(V_{satmin} - V_{ds})^2}{(2V_{satmin} - V_{ds})^2} \right)$	$C_{gb} = 0$ $C_{gd} = 0$ $C_{gs} = \frac{2}{3}(Cox_t - C_{gb})$
Linear region, $V_{gs} - V_{TH} > V_{ds}$	$C_{gb} = 0$ $C_{gd} = \frac{2}{3}(Cox_t - C_{gb}) * \left(1 - \frac{(V_{gs} - V_{TH})^2}{(2 * (V_{gs} - V_{TH}) - V_{ds})^2} \right)$ $C_{gs} = \frac{2}{3}(Cox_t - C_{gb}) * \left(1 - \frac{(V_{gs} - V_{TH} - V_{ds})^2}{(2 * (V_{gs} - V_{TH}) - V_{ds})^2} \right)$	

where:

- $Cox_t = WIDTH * (LENGTH - 2 * LD) * COX * AREA * SCALE$
- $V_{FB} = VBI * MTYPE - PHI$ is the flat-band voltage.
- V_{satmin} is the minimum saturation voltage. It is a predefined parameter equal to 1 V.

These equations are continuous between the depletion region and the accumulation region, and discontinuous between the depletion and the inversion region. Other SPICE tools apply smoothing functions between the inversion and depletion regions.

$$C_{gb} = \frac{WIDTH * LENGTH * COX}{\sqrt{\left(1 + \frac{4}{GAMMA^2} * (V_{TH} - V_{bs} - V_{FB})\right)^m}} * smoothing$$

$$smoothing = \frac{1}{\left(1 + \frac{4}{GAMMA^2} * (V_{gs} - V_{TH})\right)^m}$$

where m is a predefined smoothing constant.

Charge Conservation Capacitance Model

This table shows the relationship between the operational regions of the transistor and the gate, bulk, channel, drain, and source charges for a level 1 MOS.

Operational region	Level-1 Charges Equations
Accumulation region, $V_{gb} < V_{FB}$	$Q_g = Cox t * (V_{gb} - V_{FB})$ $Q_b = -Cox t * (V_{gb} - V_{FB})$ $Q_c = 0$ $Q_d = 0$ $Q_s = Q_c - Q_d$
Depletion region, $V_{gs} < V_{TH}$	$Q_g = -0.5 * Cox t * GAMMA^2 * \left(1 - \sqrt{1 + \frac{4}{GAMMA^2} * (V_{gb} - V_{FB})}\right)$ $Q_b = 0.5 * Cox t * GAMMA^2 * \left(1 - \sqrt{1 + \frac{4}{GAMMA^2} * (V_{gb} - V_{FB})}\right)$ $Q_c = 0$ $Q_d = 0$ $Q_s = Q_c - Q_d$
Saturation region, $V_{gs} - V_{TH} < V_{ds}$	$Q_g = Cox t * \left(V_{gs} - V_{FB} - PHI - \frac{V_{gs} - V_{TH}}{3}\right)$ $Q_b = -Cox t * (V_{TH} - V_{FB} - PHI)$ $Q_c = -Cox t * \left(V_{gs} - V_{TH} - \frac{V_{gs} - V_{TH}}{3}\right)$ $Q_d = 0$ $Q_s = Q_c - Q_d$

Operational region	Level-1 Charges Equations
Linear region, $V_{gs} - V_{TH} > V_{ds}$	$Q_g = Cox_{t} * \left(V_{gs} - V_{FB} - PHI - \frac{V_{ds}}{2} + \frac{V_{ds}^2}{12(V_{gs} - V_{TH} - 0.5V_{ds})} \right)$ $Q_b = -Cox_{t} * (V_{TH} - V_{FB} - PHI)$ $Q_c = -Cox_{t} * \left(V_{gs} - V_{TH} - \frac{V_{ds}}{2} + \frac{V_{ds}^2}{12(V_{gs} - V_{TH} - 0.5V_{ds})} \right)$ $Q_d = -Cox_{t} * \left(\frac{V_{gs} - V_{TH}}{2} - \frac{3V_{ds}}{4} + \frac{V_{ds}^2}{8(V_{gs} - V_{TH} - 0.5V_{ds})} \right)$ $Q_s = Q_c - Q_d$

where:

- $Q_c = -(Q_g + Q_b) = Q_d + Q_s$ is the charge in channel. Q_c needs to be partitioned between Q_d and Q_s .

where:

- Q_g is the gate charge.
- Q_b is the bulk charge.
- Q_d is the drain charge.
- Q_s is the source charge.
- $Q_c = -(Q_g + Q_b) = Q_d + Q_s$ is the charge in channel. Q_c needs to be partitioned between Q_d and Q_s .

This table shows the relationship between the operational regions of the transistor and the gate, bulk, channel, drain, and source charges for a level-3 MOS.

Operational region	Level-3 Charges Equations
Accumulation region, $V_{gb} < V_{FB}$	$Q_g = Cox_{t} * (V_{gb} - V_{FB}) - SF_1 + SF_2$ $Q_b = -Cox_{t} * (V_{gb} - V_{FB}) - SF_1 + SF_2$ $Q_c = 0$ $Q_d = 0$ $Q_s = Q_c - Q_d$
Depletion region, $V_{gs} < V_{TH}$	$Q_g = -0.5 * Cox_{t} * GAMMA^2 * \left(1 - \sqrt{1 + \frac{4}{GAMMA^2} * (V_{gb} - V_{FB})} \right) - SF_1 + SF_2$ $Q_b = 0.5 * Cox_{t} * GAMMA^2 * \left(1 - \sqrt{1 + \frac{4}{GAMMA^2} * (V_{gb} - V_{FB})} \right) + SF_1 - SF_2$ $Q_c = 0$ $Q_d = 0$ $Q_s = Q_c - Q_d$

Operational region	Level-3 Charges Equations
Saturation region, $V_{gs} - V_{TH} < V_{ds}$	$Q_g = Cox_t * \left(V_{gs} - V_{FB} - PHI + ETA * V_{dsat} - \frac{V_{dsat}}{2} + \frac{1 + F_B}{12 * F_i} * V_{dsat}^2 \right)$ $Q_b = -Cox_t * \left(V_{TH} - V_{FB} - PHI + ETA * V_{dsat} - \frac{F_b}{2} * V_{ds} - \frac{F_B * (1 + F_B)}{12 * F_i} * V_{dsat}^2 \right)$ $Q_c = -Cox_t * \left(V_{gs} - V_{TH} - \frac{1 + F_B}{2} * V_{dsat} + \frac{(1 + F_B)^2}{12 * F_i} * V_{dsat}^2 \right)$ $Q_d = 0$ $Q_s = Q_c - Q_d$
Linear region, $V_{gs} - V_{TH} > V_{ds}$	$Q_g = Cox_t * \left(V_{gs} - V_{FB} - PHI + ETA * V_{ds} - \frac{V_{ds}}{2} + \frac{1 + F_B}{12 * F_i} * V_{ds}^2 \right)$ $Q_b = -Cox_t * \left(V_{TH} - V_{FB} - PHI + ETA * V_{ds} + \frac{F_b}{2} * V_{ds} - \frac{F_B * (1 + F_B)}{12 * F_i} * V_{ds}^2 \right)$ $Q_c = -Cox_t * \left(V_{gs} - V_{TH} - \frac{1 + F_B}{2} * V_{ds} + \frac{(1 + F_B)^2}{12 * F_i} * V_{ds}^2 \right)$ $Q_d = -Cox_t * \left(\frac{V_{gs} - V_{TH}}{2} - \frac{3(1 + F_B)}{2} * V_{ds} + \frac{(1 + F_B)^2}{8 * F_i} * V_{ds}^2 \right)$ $Q_s = Q_c - Q_d$

where:

- V_{dsat} is the saturation voltage
- F_B is the body effect coefficient
- ETA is the drain-source voltage threshold coefficient
- $F_i = V_{gs} - V_{TH} - \frac{1 + F_B}{2} * V_{ds}$
- $SF_1 = -0.5 * Cox_t * GAMMA^2 * \left(1 - \left(1 + \frac{4}{GAMMA^2} * 2(V_{TH} - V_{bs} - V_{FB}) \right)^{0.5} \right)$ and
 $SF_2 = Cox_t * (V_{TH} - V_{FB} - PHI)$ are smoothing factors between depletion and accumulation regions to help with convergence.

Temperature Dependence

The transconductance as a function of the transistor temperature is

$$KP(T) = \frac{KP_d}{\left(\frac{T}{T_{meas}} \right)^{3/2}}$$

Where:

- KP_d is the geometry-adjusted transconductance.
- T is the transistor temperature. For more information, see “Transistor Temperature” on page 1-1737.

- T_{meas} is the parameter extraction temperature.

The surface potential as a function of the transistor temperature is

$$PHI(T) = \frac{T}{T_{meas}} \left(PHI + \frac{kT_{meas}}{q} \left(\log \left(\frac{T_{meas}}{300.15} \right)^3 + \frac{q}{k} \left(\frac{1.115}{300.15} - \frac{EG_{T_{meas}}}{T_{meas}} \right) \right) \right) - \frac{kT}{q} \left(\log \left(\frac{T}{300.15} \right)^3 + \frac{q}{k} \left(\frac{1.115}{300.15} - \frac{EG_T}{T} \right) \right)$$

Where:

- PHI is the surface potential.
- k is the Boltzmann constant.
- q is the elementary charge on an electron, 1.6021918e-19 C.
- EG is the activation energy, such that:
 - $EG_{T_{meas}} = 1.16eV - (7.02e - 4 * T_{meas}^2) / (T_{meas} + 1108)$
 - $EG_T = 1.16eV - (7.02e - 4 * T^2) / (T + 1108)$

The built-in voltage as a function of the transistor temperature is

$$VBI(T) = VTO + MTYPE * \left(\frac{PHI(T) - PHI}{2} - GAMMA * \sqrt{PHI} \right) + \frac{EG_{T_{meas}} - EG_T}{2}$$

Where:

- VBI is the built-in voltage.
- VTO is the threshold voltage. VTO depends on the value that you specify for the **Threshold voltage, VTO** parameter in the **DC currents** settings. If you specify a numerical value, VTO is evaluated as that value. If you specify a nonnumerical value (NAN) and you specify numerical values for both the **Oxide thickness, TOX** and **Substrate doping, NSUB** parameters in the **Process** settings, then VTO is evaluated as $\Phi - 3.25 + EG_{T_{meas}}/2 + MTYPE * PHI/2 - NSS * q * TOX / (3.9 * \epsilon_0) + MTYPE * (GAMMA * \sqrt{PHI} + PHI)$

Where:

- Φ depends on the gate type, which you specify using the **Gate type, TPG** parameter. If you specify Aluminum (0), $\Phi = 3.2$. Otherwise, $\Phi = 3.25 + EG_{T_{meas}}/2 - MTYPE * TPG * EG_{T_{meas}}/2$, Where:
 - $MTYPE$ is the transistor type. For an N-channel MOSFET, $MTYPE = 1$.
 - TPG represents the gate type and also depends on the option that you specify for the **Gate type, TPG** parameter in the **Process** settings. If you specify
 - Opposite of substrate (1) — $TPG = 1$
 - Same as substrate (-1) — $TPG = -1$

- NSS is the surface state density.
- TOX is the oxide thickness.
- ϵ_0 is the permittivity of free space.
- $GAMMA$ is the bulk threshold. $GAMMA$ depends on the value that you specify for the **Bulk threshold, GAMMA** parameter in the **DC currents** settings. If you specify a numerical value, $GAMMA$ is evaluated as that value. If you specify a nonnumerical value (NAN) and you specify numerical values for both the **Oxide thickness, TOX** and **Substrate doping, NSUB** parameters in the **Process** settings, then VTO is evaluated as $TOX * \sqrt{2 * 11.7 * \epsilon_0 * q * NSUB} / (3.9 * \epsilon_0)$, where $NSUB$ is the substrate doping.

The bulk saturation current as a function of the transistor temperature is

$$IS(T) = IS_d * e^{\frac{-qEG_T}{ND * kT}} + \frac{qEG_{T_{meas}}}{ND * kT_{meas}}$$

Where:

- IS_d is the geometry-adjusted bulk saturation current.
- ND is the emission coefficient.

The bulk junction saturation current density as a function of the transistor temperature is

$$JS(T) = JS_d * e^{\frac{-qEG_T}{ND * kT}} + \frac{qEG_{T_{meas}}}{ND * kT_{meas}}$$

Where JS_d is the geometry-adjusted bulk junction saturation current density.

The bulk junction potential as a function of the transistor temperature is

$$PB(T) = \frac{PB + \frac{kT_{meas}}{q} \left(\log\left(\frac{T_{meas}}{300.15}\right)^3 + \frac{q}{k} \left(\frac{1.115}{300.15} - \frac{EG_{T_{meas}}}{T} \right) \right)}{T_{meas}/T} - \frac{kT}{q} \left(\log\left(\frac{T}{300.15}\right)^3 + \frac{q}{k} \left(\frac{1.115}{300.15} - \frac{EG_T}{T} \right) \right)$$

Where PB is the bulk junction potential.

The bulk-drain junction capacitance as a function of the transistor temperature is

$$CBD(T) = CBD_d \frac{pbo + MJ * (4 * 10^4 * (T - 300.15) * pbo - (PB(T) - pbo))}{pbo + MJ * (4 * 10^4 * (T_{meas} - 300.15) * pbo - (PB - pbo))}$$

Where:

- CBD_d is the geometry adjusted zero-bias bulk-drain capacitance.
- MJ is the bottom grading coefficient.

$$pbo = \frac{PB + \frac{kT_{meas}}{q} \left(\log\left(\frac{T_{meas}}{300.15}\right)^3 + \frac{q}{k} \left(\frac{1.115}{300.15} - \frac{EG_{T_{meas}}}{T} \right) \right)}{T_{meas}/300.15}$$

The block uses the $CBD(T)$ equation to calculate:

- The bulk-source junction capacitance by substituting CBS_d , the geometry-adjusted zero-bias bulk-source capacitance, for CBD_d .
- The bottom junction capacitance by substituting CJ_d , the geometry-adjusted bottom capacitance per junction area for CBD_d .

The relationship between the sidewall junction capacitance $CJSW$ and the transistor temperature, T , is

$$CJSW(T) = CJSW_d \frac{pbo + MJSW * (4 * 10^4 * (T - 300.15) * pbo - (PB(T) - pbo))}{pbo + MJSW * (4 * 10^4 * (T_{meas} - 300.15) * pbo - (PB - pbo))}$$

Where:

- $CJSW_d$ is the side geometry-adjusted sidewall capacitance per junction perimeter.
- $MJSW$ is the side grading coefficient.

Assumptions and Limitations

- The block does not support noise analysis.
- The block applies initial conditions across junction capacitors and not across the block ports.

Ports

Conserving

gx — Gate terminal

electrical

Electrical conserving port associated with the transistor gate terminal.

dx — Drain terminal

electrical

Electrical conserving port associated with the transistor drain terminal.

sx — Source terminal

electrical

Electrical conserving port associated with the transistor source terminal.

bx — Bulk terminal

electrical

Electrical conserving port associated with the transistor bulk terminal.

Parameters

Model Selection

MOS model — Drain current model

Level 1 MOS (default) | Level 3 MOS

MOSFET drain current model options:

- Level 1 MOS — Use the “Level 1 Drain Current Model” on page 1-1742. This is the default option.
- Level 3 MOS — Use the “Level 3 Drain Current Model” on page 1-1743.

Dependencies

The setting that you select for the **MOS model** affects the visibility of certain parameters in the **DC Currents** and **Process** settings.

Dimensions

Device area factor, AREA — Device area

1.0 (default) | positive scalar

Transistor area factor for scaling. The value must be greater than 0.

Number of parallel devices, SCALE — Number of parallel devices

1 (default) | positive integer

The number of parallel MOS instances that the block represents. This parameter multiplies the output current and device charge. The value must be greater than 0.

Length of channel, LENGTH — Source-to-drain channel length

1e-4 m (default) | positive scalar

Length of the channel between the source and drain.

Width of channel, WIDTH — Source-to-drain channel width

1e-4 m (default) | positive scalar

Width of the channel between the source and drain.

Area of drain, AD — Drain area

0 m² (default) | nonnegative scalar

Area of the transistor drain diffusion. The value must be greater than or equal to 0.

Area of source, AS — Source area

0 m² (default) | nonnegative scalar

Area of the transistor source diffusion. The value must be greater than or equal to 0.

Perimeter of drain, PD — Drain perimeter

0 m (default) | nonnegative scalar

Perimeter of the transistor drain diffusion. The value must be greater than or equal to 0.

Perimeter of source, PS — Source perimeter 0 m (default) | nonnegative scalar

Perimeter of the transistor source diffusion. The value must be greater than or equal to 0 .

Resistors**Number of drain squares, NRD — Number of drain diffusion resistance squares** 0 (default) | nonnegative scalar

Number of squares of resistance that make up the transistor drain diffusion. The value must be greater than or equal to 0 . The block only uses this parameter value if you do not specify one or both of the **Drain resistance, RD** and **Source resistance, RS** parameter values, as described in “Parameters Calculations” on page 1-1738.

Number of source squares, NRS — Number of transistor source diffusion squares of resistance 1 (default) | nonnegative scalar

Number of squares of resistance that make up the transistor source diffusion. The value must be greater than or equal to 0 . The block only uses this parameter value if you do not specify one or both of the **Drain resistance, RD** and **Source resistance, RS** parameter values, as described in “Parameters Calculations” on page 1-1738.

Drain resistance, RD — Series resistance 0 Ohm (default) | nonnegative scalar

Transistor drain resistance. The value must be greater than or equal to 0 .

Source resistance, RS — Series resistance 0 Ohm (default) | nonnegative scalar

Transistor source resistance. The value must be greater than or equal to 0 .

Sheet resistance, RSH — Per square resistance 0 Ohm (default) | nonnegative scalar

Resistance per square of the transistor source and drain. Check “Parameters Calculations” on page 1-1738 to see when the block uses this parameter. The value must be greater than or equal to 0 .

DC Currents**Threshold voltage, VT0 — Threshold voltage** 0 V (default) | scalar

The gate-source voltage above which the transistor produces a nonzero drain current. If you assign this parameter a value of NaN, the block calculates the value from the specified values of the **Oxide thickness, TOX** and **Substrate doping, NSUB** parameters. For more information about this calculation, see “Temperature Dependence” on page 1-1753.

Transconductance, KP — Transconductance $2e-5$ A/V² (default) | nonnegative scalar

The derivative of drain current with respect to gate voltage. The value must be greater than or equal to 0 . If you assign this parameter a value of NaN, the block calculates the value from the specified

values of the **Oxide thickness, TOX** and **Substrate doping, NSUB** parameters. For more information about this calculation, see “Level 1 Drain Current Model” on page 1-1742 or “Level 3 Drain Current Model” on page 1-1743 as appropriate for the selected value of the **MOS model** parameter.

Bulk threshold, GAMMA — Bulk threshold

0 V (default) | nonnegative scalar

Body effect parameter, which relates the threshold voltage, VTH, to the body bias, VBS, as described in “Level 1 Drain Current Model” on page 1-1742 and “Level 3 Drain Current Model” on page 1-1743. The value must be greater than or equal to 0. If you assign this parameter a value of NaN, the block calculates the value from the specified values of the **Oxide thickness, TOX** and **Substrate doping, NSUB** parameters. For more information about this calculation, see “Level 1 Drain Current Model” on page 1-1742 or “Level 3 Drain Current Model” on page 1-1743 as appropriate for the selected value of the **MOS model** parameter.

Surface potential, PHI — Surface potential

0.6 V (default) | nonnegative scalar

Twice the voltage at which the surface electron concentration becomes equal to the intrinsic concentration and the device transitions between depletion and inversion conditions. The value must be greater than or equal to 0. If you assign this parameter a value of NaN, the block calculates the value from the specified values of the **Oxide thickness, TOX** and **Substrate doping, NSUB** parameters. For more information about this calculation, see “Level 1 Drain Current Model” on page 1-1742 or “Level 3 Drain Current Model” on page 1-1743 as appropriate for the selected value of the **MOS model** parameter.

Channel modulation, LAMBDA — Channel-length modulation

0 1/V (default) | scalar

Channel-length modulation.

Dependencies

This parameter is only visible when you select Level 1 MOS for the **MOS model** parameter in the **Model Selection** settings.

Bulk saturation current, IS — Bulk saturation current magnitude

1e-14 A (default) | nonnegative scalar

Magnitude of the current that the junction approaches asymptotically for very large reverse bias levels. The value must be greater than or equal to 0.

Emission coefficient, N — Emission coefficient

1 (default) | nonnegative scalar

Transistor emission coefficient or ideality factor. The value must be greater than 0.

Bulk jct sat current density, JS — Bulk junction saturation current density

0 A/m² (default) | nonnegative scalar

Magnitude of the current per unit area that the junction approaches asymptotically for very large reverse bias levels. The value must be greater than or equal to 0.

Width effect on threshold, DELTA — Width factor

0 (default) | scalar

Factor that controls the effect of transistor width on threshold voltage.

Dependencies

This parameter is only visible when you select Level 3 MOS for the **MOS model** parameter in the **Model Selection** settings.

Max carrier drift velocity, VMAX — Maximum drift velocity

0 m/s (default) | scalar

Maximum drift velocity of the carriers.

Dependencies

This parameter is only visible when you select Level 3 MOS for the **MOS model** parameter in the **Model Selection** settings.

Fast surface state density, NFS — Fast surface state density

0 1/cm² (default) | scalar

Fast surface state density adjusts the drain current for the mobility reduction caused by the gate voltage.

Dependencies

This parameter is only visible when you select Level 3 MOS for the **MOS model** parameter in the **Model Selection** settings.

Vds dependence threshold volt, ETA — Drain-source voltage threshold

0 (default) | scalar

The coefficient that controls how the drain voltage affects the mobility in the drain current calculation.

Dependencies

This parameter is only visible when you select Level 3 MOS for the **MOS model** parameter in the **Model Selection** settings.

Vgs dependence on mobility, THETA — Mobility dependence coefficient

0 1/V (default) | scalar

The coefficient that controls how the gate voltage affects the mobility in the drain current calculation.

Dependencies

This parameter is only visible when you select Level 3 MOS for the **MOS model** parameter in the **Model Selection** settings.

Mobility modulation, KAPPA — Mobility modulation coefficient

0.2 (default) | scalar

Coefficient of channel-length modulation for the level 3 MOS model.

Dependencies

This parameter is only visible when you select Level 3 MOS for the **MOS model** parameter in the **Model Selection** settings.

C-V**Model gate capacitance (CGS, CGD, CGB) — Gate capacitance model**

No intrinsic capacitance (default) | Meyer gate capacitances | Charge conservation capacitances

Options for modeling the gate capacitance:

- No intrinsic capacitance — Do not include gate capacitance in the model.
- Meyer gate capacitances —
- Charge conservation capacitances —

Model gate overlap capacitance (CGSO, CGDO, CGBO) — Gate overlap model

No (default) | Yes

Options for modeling the gate overlap capacitance:

- No — Do not include gate overlap capacitance in the model.
- Yes — Specify the gate-source, gate-drain, and gate-bulk capacitances.

Dependencies

Selecting Yes exposes related parameters.

G-S overlap capacitance, CGSO — Gate-source overlap capacitance

0 F/m (default) | scalar | 0 or $\geq 1e-18$

Gate-source capacitance due to lateral diffusion of the source. The value must be equal to 0 or greater than or equal to *Cmin*. *Cmin* is a built-in model constant whose value is $1e-18$.

Dependencies

This parameter is only visible when you select Yes for the **Model gate overlap capacitance (CGSO, CGDO, CGBO)** parameter.

G-D overlap capacitance, CGDO — Gate-drain overlap capacitance

0 F/m (default) | scalar | 0 or $\geq 1e-18$

Gate-drain capacitance due to lateral diffusion of the drain. The value must be equal to 0 or greater than or equal to *Cmin*. *Cmin* is a built-in model constant whose value is $1e-18$.

Dependencies

This parameter is only visible when you select Yes for the **Model gate overlap capacitance (CGSO, CGDO, CGBO)** parameter.

G-B overlap capacitance, CGBO — Gate-bulk overlap capacitance

0 F/m (default) | scalar | 0 or $\geq 1e-18$

Gate-bulk capacitance due to gate extending beyond the channel width. The value must be equal to 0 or greater than or equal to *Cmin*. *Cmin* is a built-in model constant whose value is $1e-18$.

Dependencies

This parameter is only visible when you select Yes for the **Model gate overlap capacitance (CGSO, CGDO, CGBO)** parameter.

Model junction capacitance (CBD, CBS) – Junction capacitance model

No (default) | Yes

Options for modeling the junction capacitance:

- No — Do not include junction capacitance in the model.
- Yes — Specify zero-bias junction capacitance, junction potential, grading coefficient, forward-bias depletion and capacitance coefficient.

Dependencies

Selecting Yes exposes related parameters.

Zero-bias BD capacitance, CBD – Zero-bias junction capacitance 0 F (default) | 0 or $\geq 1\text{e-}18$ Capacitance between the bulk and the drain. The value must be equal to 0 or greater than or equal to C_{min} . C_{min} is a built-in model constant whose value is $1\text{e-}18$.**Dependencies**This parameter is only visible when you select Yes for the **Model junction capacitance (CBD, CBS)** parameter.**Zero-bias BS capacitance, CBS – Zero-bias bulk-source capacitance** 0 F (default) | scalar | 0 or $\geq 1\text{e-}18$ Capacitance between the bulk and the source. The value must be equal to 0 or greater than or equal to C_{min} . C_{min} is a built-in model constant whose value is $1\text{e-}18$.**Dependencies**This parameter is only visible when you select Yes for the **Model junction capacitance (CBD, CBS)** parameter.**Bulk junction potential, PB – Bulk junction potential** 0.8 V (default) | scalar | 0 or ≥ 0.01 Potential across the bulk junction. This parameter is only visible when you select Yes for the **Model junction capacitance (CBD, CBS)** parameter. The value must be equal to 0 or greater than or equal to VJ_{min} . VJ_{min} is a built-in model constant whose value is 0.01 .**Dependencies**This parameter is only visible when you select Yes for the **Model junction capacitance (CBD, CBS)** parameter.**Bottom junction cap per area, CJ – Zero-bias bulk junction bottom capacitance per junction area** 0 F/m^2 (default) | scalar | 0 or $\geq 1\text{e-}18$ Zero-bias bulk junction bottom capacitance per junction area. The value must be equal to 0 or greater than or equal to C_{min} . C_{min} is a built-in model constant whose value is $1\text{e-}18$.

Dependencies

This parameter is only visible when you select Yes for the **Model junction capacitance (CBD, CBS)** parameter.

Bottom grading coefficient, MJ — Bottom grading coefficient

0.5 (default) | scalar | 0 or < 0.9

Transistor bottom grading coefficient. The value must be equal to 0 or less than MG_{max} . MG_{max} is a built-in model constant whose value is 0.9.

Dependencies

This parameter is only visible when you select Yes for the **Model junction capacitance (CBD, CBS)** parameter.

Side jct cap/area of jct perimeter, CJSW — Zero-bias bulk junction sidewall capacitance per junction perimeter

0 F/m (default) | scalar | 0 or $\geq 1e-18$

Zero-bias bulk junction sidewall capacitance per junction perimeter. The value must be equal to 0 or greater than or equal to C_{min} . C_{min} is a built-in model constant whose value is $1e-18$.

Dependencies

This parameter is only visible when you select Yes for the **Model junction capacitance (CBD, CBS)** parameter.

Side grading coefficient, MJSW — Sidewall grading coefficient

0.5 (default) | scalar | $0 < MJSW < 0.9$

Transistor sidewall grading coefficient. The value must be equal to 0 or less than MG_{max} . MG_{max} is a built-in model constant whose value is 0.9.

Dependencies

This parameter is only visible when you select Yes for the **Model junction capacitance (CBD, CBS)** parameter.

Capacitance coefficient, FC — Capacitance coefficient

0.5 (default) | 0 or ≤ 0.95 | scalar

Fitting coefficient that quantifies the decrease of the depletion capacitance with applied voltage. The value must be equal to 0 or less than or equal to FC_{max} . FC_{max} is a built-in model constant whose value is 0.95.

Dependencies

This parameter is only visible when you select Yes for the **Model junction capacitance (CBD, CBS)** parameter.

Specify initial condition — Initial condition model

No (default) | Yes

Options for specifying initial conditions:

- No — Do not specify an initial condition for the model.

- Yes — Specify the initial transistor voltage.

Note The block applies the initial transistor voltage across the junction capacitors and not across the ports.

Dependencies

To enable this parameter, set either:

- **Model gate capacitance (CGS, CGD, CGB)** to No intrinsic capacitance and either or both **Model gate overlap capacitance (CGSO, CGDO, CGBO)** and **Model junction capacitance (CBD, CBS)** to Yes.
- **Model gate capacitance (CGS, CGD, CGB)** to Meyer gate capacitances or Charge conservation capacitances.

Initial condition voltage, ICVDS — Initial voltage

0 V (default) | scalar

Drain-source voltage at the start of the simulation.

Dependencies

This parameter is only visible when you select Yes for the **Specify initial condition** parameter.

Initial condition voltage, ICVGS — Initial voltage

0 V (default) | scalar

Gate-source voltage at the start of the simulation.

Dependencies

This parameter is only visible when you select Yes for the **Specify initial condition** parameter.

Initial condition voltage, ICVBS — Initial voltage

0 V (default) | scalar

Bulk-source voltage at the start of the simulation.

Dependencies

This parameter is only visible when you select Yes for the **Specify initial condition** parameter.

Process**Oxide thickness, TOX — Gate oxide thickness**

1e-7 m (default) | nonnegative scalar

Thickness of the gate oxide. The value must be greater than or equal to 0.

Lateral diffusion, LD — Length of lateral diffusion

0 m (default) | scalar

Length of lateral diffusion.

Surface mobility, U0 — Zero-bias surface mobility coefficient

600 cm²/s/V (default)

Zero-bias surface mobility coefficient.

Substrate doping, NSUB — Substrate doping

NaN 1/cm³ (default) | scalar $\geq 1.45e10$

Substrate doping. The value must be greater than or equal to 1.45e10 (the carrier concentration of intrinsic silicon).

Gate type, TPG — Gate type

Opposite of substrate (1) (default) | Same as substrate (-1) | Aluminum (0)

MOSFET gate materials (as compared to the substrate):

- **Opposite of substrate** — The gate material is the opposite of the substrate. This means that TPG = 1 in the device equations. This is the default option.
- **Same as substrate** — The gate material is the same as the substrate. This means that TPG = -1 in the device equations.
- **Aluminum** — The gate material is aluminum. This means that TPG = 0 in the device equations.

Surface state density, NSS — Surface state density

NaN 1/cm² (default) | scalar

Surface state density.

Junction depth, XJ — Junction depth

0m (default)

Junction depth.

Dependencies

This parameter is only visible when you select Level 3 MOS for the **MOS model** parameter in the **Model Selection** settings.

Temperature

Model temperature dependence using — Temperature dependence model

Device temperature (default) | Fixed temperature

Select one of these options for modeling the transistor temperature dependence:

- **Device temperature** — Use the device temperature to model temperature dependence.
- **Fixed temperature** — Use a temperature that is independent of the circuit temperature to model temperature dependence.

For more information, see “Temperature Dependence” on page 1-1753.

Dependencies

Selecting Device temperature exposes the **Offset local circuit temperature, TOFFSET** parameter. Selecting Fixed temperature exposes the **Fixed circuit temperature, TFIXED** parameter.

Fixed circuit temperature, TFIXED — Fixed circuit temperature

300.15 K (default) | positive scalar

Transistor simulation temperature. The value must be greater than 0 K.

Dependencies

This parameter is only visible when you select Fixed temperature for the **Model temperature dependence using** parameter.

Parameter extraction temperature, TMEAS — Parameter extraction temperature

300.15 K (default) | positive scalar

The temperature at which the transistor parameters are measured. The value must be greater than 0 K.

Offset local circuit temperature, TOFFSET — Local circuit temperature offset

0 K (default) | scalar

The amount by which the transistor temperature differs from the circuit temperature.

Dependencies

This parameter is only visible when you select Device temperature for the **Model temperature dependence using** parameter.

References

- [1] G. Massobrio and P. Antognetti. *Semiconductor Device Modeling with SPICE*. 2nd Edition. New York: McGraw-Hill, 1993.
- [2] Ping Yang, et al. 'An Investigation of the Charge Conservation Problem for MOSFET Circuit Simulation'. *IEEE Journal of Solid-State Circuits*, vol. 18, no. 1, Feb. 1983, pp. 128–38. DOI.org (Crossref), doi:10.1109/JSSC.1983.1051909.

Extended Capabilities**C/C++ Code Generation**

Generate C and C++ code using Simulink® Coder™.

See Also**Simscape Blocks**

Environment Parameters | SPICE PMOS

Functions

subcircuit2ssc

Topics

- "Additional Parameterization Workflows"
- "Converting a SPICE Netlist to Simscape Blocks"
- "Parameterize an Exponential Diode from SPICE Netlist"

Introduced in R2009a

SPICE NPN

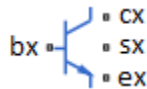
SPICE-compatible Gummel-Poon NPN Transistor

Library: Simscape / Electrical / Additional Components / SPICE Semiconductors



Description

The SPICE NPN block represents a SPICE-compatible four-terminal Gummel-Poon NPN bipolar junction transistor. A capacitor connects the substrate port, **sx**, to the transistor base, **bx**. Therefore, the device is equivalent to a three-terminal transistor when you use the default value of 0 for the **C-S junction capacitance, CJS** parameter and connect the substrate port to any other port, including the emitter port, **ex**, or the collector port, **cx**.



SPICE, or Simulation Program with Integrated Circuit Emphasis, is a simulation tool for electronic circuits. You can convert some SPICE subcircuits into equivalent Simscape Electrical models using the Environment Parameters block and SPICE-compatible blocks from the “Additional Components” library. For more information, see `subcircuit2ssc`.

Equations

Variables for the SPICE NPN block equations include:

- Variables that you define by specifying parameters for the SPICE NPN block. The visibility of some of the parameters depends on the value that you set for other parameters. For more information, see “Parameters” on page 1-1775.
- Geometry-adjusted variables, which depend on several values that you specify using parameters for the SPICE NPN block. For more information, see “Geometry-Adjusted Variables” on page 1-1767.
- Temperature, T , which is 300.15 K by default. You can use a different value by specifying parameters for the SPICE NPN block or by specifying parameters for both the SPICE NPN block and an Environment Parameters block. For more information, see “Transistor Temperature” on page 1-1768.
- Temperature-dependent variables. For more information, see “Temperature Dependence” on page 1-1773.
- Minimal conductance, $GMIN$, which is $1e-12$ 1/Ohm by default. You can use a different value by specifying a parameter for an Environment Parameters block. For more information, see “Minimal Conduction” on page 1-1769.

Geometry-Adjusted Variables

Several variables in the equations for the SPICE NPN bipolar junction transistor model consider the geometry of the device that the block represents. These geometry-adjusted variables depend on

variables that you define by specifying SPICE NPN block parameters. The geometry-adjusted variables depend on these variables:

- *AREA* — Area of the device
- *SCALE* — Number of parallel connected devices
- The associated unadjusted variable

The table includes the geometry-adjusted variables and the defining equations.

Variable	Description	Equation
IS_d	Geometry-adjusted transport saturation current	$IS_d = IS * AREA * SCALE$
IKF_d	Geometry-adjusted forward knee current	$IKF_d = IKF * AREA * SCALE$
IS_d	Geometry-adjusted base-emitter leakage current	$ISE_d = ISE * AREA * SCALE$
IKR_d	Geometry-adjusted reverse knee current	$IKR_d = IKR * AREA * SCALE$
ISC_d	Geometry-adjusted base-collector leakage current	$ISC_d = ISC * AREA * SCALE$
IRB_d	Geometry-adjusted half base resistance current	$IRB_d = IRB * AREA * SCALE$
CJE_d	Geometry-adjusted base-emitter depletion capacitance	$CJE_d = CJE * AREA * SCALE$
ITF_d	Geometry-adjusted forward transit time coefficient	$ITF_d = ITF * AREA * SCALE$
CJC_d	Geometry-adjusted base-collector depletion capacitance	$CJC_d = CJC * AREA * SCALE$
CJS_d	Geometry-adjusted collector-substrate junction capacitance	$CJS_d = CJS * AREA * SCALE$
RB_d	Geometry-adjusted zero-bias base resistance	$RB_d = \frac{RB}{AREA * SCALE}$
RBM_d	Geometry-adjusted minimum base resistance	$RBM_d = \frac{RBM}{AREA * SCALE}$
RE_d	Geometry-adjusted emitter resistance	$RE_d = \frac{RE}{AREA * SCALE}$
RC_d	Geometry-adjusted collector resistance	$RC_d = \frac{RC}{AREA * SCALE}$

Transistor Temperature

You can use these options to define transistor temperature, *T*:

- Fixed temperature — The block uses a temperature that is independent from the circuit temperature when the **Model temperature dependence using** parameter in the **Temperature** settings of the SPICE NPN block is set to Fixed temperature. For this model, the block sets *T* equal to *TFIXED*.

- Device temperature — The block uses a temperature that depends on circuit temperature when the **Model temperature dependence using** parameter in the **Temperature** settings of the SPICE NPN block is set to Device temperature. For this model, the block defines temperature as

$$T = T_C + TOFFSET$$

Where:

- T_C is the circuit temperature.

If there is no Environment Parameters block in the circuit, T_C is equal to 300.15 K.

If there is an Environment Parameters block in the circuit, T_C is equal to the value that you specify for the **Temperature** parameter in the **SPICE** settings of the Environment Parameters block. The default value for the **Temperature** parameter is 300.15 K.

- $TOFFSET$ is the offset local circuit temperature.

Minimal Conduction

Minimal conductance, $GMIN$, has a default value of $1e-12$ 1/Ohm. To specify a different value:

- 1 If there is not an Environment Parameters block in the circuit, add one.
- 2 In the **SPICE** settings of the Environment Parameters block, specify the desired $GMIN$ value for the **GMIN** parameter.

Current-Voltage and Base Charge Model

The current-voltage relationships and base charge relationships for the transistor are described in terms of “Base-Emitter and Base-Collector Junction Currents” on page 1-1769, “Terminal Currents” on page 1-1770, and “Base Charge Model” on page 1-1771. As applicable, the model parameters are first adjusted for temperature.

Base-Emitter and Base-Collector Junction Currents

The base-emitter junction current depends on the base-emitter voltage, V_{BE} such that:

- When $V_{BE} > 80 * V_{TF}$:

$$I_{bef} = IS_d * \left(\left(\frac{V_{BE}}{V_{TF}} - 79 \right) * e^{80} - 1 \right) + G_{min} * V_{BE}$$

$$I_{bee} = ISE_d * \left((V_{BE} - 80 * V_{TF} + V_{TE}) * \frac{e^{(80 * V_{TF}/V_{TE})}}{V_{TE}} - 1 \right)$$

- When $V_{BE} \leq 80 * V_{TF}$:

$$I_{bef} = IS_d * \left(e^{(V_{BE}/V_{TF})} - 1 \right) + G_{min} * V_{BE}$$

$$I_{bee} = ISE_d * \left(e^{(V_{BE}/V_{TE})} - 1 \right)$$

The base-collector junction current depends on the base collector voltage, V_{BC} , such that:

- When $V_{BC} > 80 * V_{TR}$:

$$I_{bcr} = IS_d * \left(\left(\frac{V_{BC}}{V_{TR}} - 79 \right) * e^{80} - 1 \right) + G_{min} * V_{BC}$$

$$I_{bcc} = ISC_d * \left((V_{BC} - 80 * V_{TR} + V_{TC}) * \frac{e^{(80 * V_{TR}/V_{TC})}}{V_{TC}} - 1 \right)$$

- When $V_{BC} \leq 80 * V_{TR}$:

$$I_{bcr} = ISC_d * (e^{(V_{BC}/V_{TR})} - 1) + G_{min} * V_{BC}$$

$$I_{bcc} = ISC_d * (e^{(V_{BC}/V_{TC})} - 1)$$

Where:

- V_{BE} is the base-emitter voltage.
- V_{BC} is the base-collector voltage.
- V_{TE} is the emitter thermal voltage, such that $V_{TE} = NE * k * T / q$.
- V_{TC} is the collector thermal voltage, such that $V_{TC} = NC * k * T / q$.
- V_{TF} is the forward thermal voltage, such that $V_{TF} = NF * k * T / q$.
- V_{TR} is the reverse thermal voltage, such that $V_{TR} = NR * k * T / q$.
- ISC_d is the geometry-adjusted base-collector leakage current.
- ISE_d is the geometry-adjusted base-emitter leakage current.
- NE is the base-emitter emission coefficient.
- NC is the base-collector emission coefficient.
- NF is the forward emission coefficient.
- NR is the reverse emission coefficient.
- q is the elementary charge on an electron.
- k is the Boltzmann constant.
- T is the transistor temperature. For more information, see “Transistor Temperature” on page 1-1768.
- G_{min} is the minimum conductance. For more information, see “Minimal Conduction” on page 1-1704.

Terminal Currents

The terminal currents are calculated as:

$$I_B = \left(\frac{I_{bef}}{BF} + I_{bee} + \frac{I_{bcr}}{BR} + I_{bcc} \right)$$

$$I_C = \left(\frac{I_{bef} - I_{bcr}}{q_b} - \frac{I_{bcr}}{BR} - I_{bcc} \right)$$

Where:

- I_B is the base terminal current.
- I_C is the collector terminal current.

- BF is the forward beta.
- BR is the reverse beta.

Base Charge Model

The base charge, q_b , is calculated using these equations:

$$q_b = \frac{q_1}{2} \left(1 + \sqrt{0.5 \left(\sqrt{(1 + 4q_2 - eps)^2 + eps^2} + 1 + 4q_2 - eps \right) + eps} \right)$$

$$q_1 = \left(1 - \frac{V_{BC}}{V_{AF}} - \frac{V_{BE}}{V_{AR}} \right)^{-1}$$

$$q_2 = \frac{I_{bef}}{IKF_d} + \frac{I_{bcr}}{IKR_d}$$

Where:

- q_b is the base charge.
- V_{AF} is the forward Early voltage.
- V_{AR} is the reverse Early voltage.
- IKF_d is the geometry-adjusted forward knee current.
- IKR_d is the geometry-adjusted reverse knee current.
- eps is 1e-4.

Base Resistance Model

You can use these options to model base resistance, r_{bb} :

- If you use the default value of infinity for the **Half base resistance cur, IRB** parameter, the block calculates the base resistance as

$$r_{bb} = RBM_d + \frac{RB_d - RBM_d}{q_b}$$

Where:

- r_{bb} is base resistance.
- RBM_d is the geometry-adjusted minimum base resistance.
- RB_d is the geometry-adjusted zero-bias base resistance.
- If you specify a finite value for the **Half base resistance cur, IRB** parameter, the block calculates the base resistance as

$$r_{bb} = RBM_d + 3 * (RB_d - RBM_d) * \left(\frac{\tan z - z}{z * \tan^2 z} \right)$$

Where

$$z = \frac{\sqrt{1 + 144I_B / (\pi^2 IRB_d)} - 1}{(24/\pi^2) \sqrt{I_B / IRB_d}}$$

Transit Charge Modulation Model

If you specify nonzero values for the **Coefficient of TF, XTF** parameter, the block models transit charge modulation by scaling the forward transit time as

$$TF_{\text{mod}} = \frac{TF * \left[1 + XTF * e^{V_{BC}/(1.44V_{TF})} \left(\frac{I_{BE}}{I_{BE} + ITF_d} \right)^2 \right]}{q_b}$$

Where ITF_d is the geometry-adjusted coefficient of the forward transit time.

Junction Charge Model

The block lets you model junction charge. The base-collector charge, Q_{bc} , and the base-emitter charge, Q_{be} , depend on an intermediate value, Q_{dep} . As applicable, the model parameters are first adjusted for temperature.

- For the internal base-emitter junctions

$$Q_{be} = TF_{\text{mod}} * I_{be} + Q_{dep}$$

- For the internal base-collector junctions

$$Q_{bc} = TR * I_{bc} + XCJC * Q_{dep}$$

- For the external base-collector junctions

$$Q_{b_{ext}c} = (1 - XCJC) * Q_{dep}$$

Q_{dep} depends on the junction voltage, V_{jct} (V_{BE} for the base-emitter junction and V_{BC} for the base-collector junction), as follows.

Applicable Range of V_{jct} Values	Corresponding Q_{dep} Equation
$V_{jct} < FC * VJ$	$Q_{dep} = C_{jct} * VJ * \frac{1 - (1 - V_{jct}/VJ)^{(1 - MJ)}}{1 - MJ}$
$V_{jct} \geq FC * VJ$	$Q_{dep} = C_{jct} * \left[F1 + \frac{F3 * (V_{jct} - FC * VJ) + \frac{MJ * [V_{jct}^2 - (FC * VJ)^2]}{2 * VJ}}{F2} \right]$

Where:

- FC is the capacitance coefficient.
- VJ is:
 - The base-emitter built-in potential, V_{JE} , for the base-emitter junction.
 - The base-collector built-in potential, V_{JC} , for the base-collector junction.
- MJ is:
 - The base-emitter exponential factor, M_{JE} , for the base-emitter junction.
 - The base-collector exponential factor, M_{JC} , for the base-collector junction.

- C_{jct} is:
 - The geometry-adjusted base-emitter depletion capacitance, CJE_d , for the base-emitter junction.
 - The geometry-adjusted base-collector depletion capacitance, CJC_d , for the base-collector junction.
- $F1 = VJ * (1 - (1 - FC)^{(1 - MJ)}) / (1 - MJ)$
- $F2 = (1 - FC)^{(1 + MJ)}$
- $F3 = 1 - FC * (1 + MJ)$

The collector-substrate charge, Q_{cs} , depends on the collector-substrate voltage, V_{cs} . As applicable, the model parameters are first adjusted for temperature.

Applicable Range of V_{cs} Values	Corresponding Q_{cs} Equation
$V_{cs} < 0$	$Q_{cs} = CJS_d * VJS * \left(\frac{1 - (1 - V_{cs}/VJS)^{(1 - MJS)}}{1 - MJS} \right)$
$V_{cs} \geq 0$	$Q_{cs} = CJS_d * (1 + MJS * V_{cs} / (2 * VJS)) * V_{cs}$

Where:

- CJS_d is the geometry-adjusted collector-substrate junction capacitance.
- VJS is the substrate built-in potential.
- MJS is the substrate exponential factor.

Temperature Dependence

The relationship between the saturation current, IS_d , and the transistor temperature, T , is

$$IS(T) = IS_d * (T/T_{meas})^{XTI} * e^{\left(\frac{T}{T_{meas}} - 1\right) * \frac{EG}{V_t}}$$

Where:

- IS_d is the geometry-adjusted transport saturation current.
- T_{meas} is the parameter extraction temperature.
- XTI is the transport saturation current temperature exponent.
- EG is the energy gap.
- $V_t = kT/q$.

The relationship between the base-emitter junction potential, VJE , and the transistor temperature, T , is

$$VJE(T) = VJE * \left(\frac{T}{T_{meas}}\right) - \frac{3 * k * T}{q} * \log\left(\frac{T}{T_{meas}}\right) - \left(\frac{T}{T_{meas}}\right) * EG_{T_{meas}} + EG_T$$

Where:

- VJE is the base-emitter built-in potential.

- $EG_{T_{meas}} = 1.16eV - (7.02e - 4 * T_{meas}^2) / (T_{meas} + 1108)$
- $EG_T = 1.16eV - (7.02e - 4 * T^2) / (T + 1108)$

The block uses the $VJE(T)$ equation to calculate the base-collector junction potential by substituting VJC , the base-collector built-in potential, for VJE .

The relationship between the base-emitter junction capacitance, CJE , and the transistor temperature, T , is

$$CJE(T) = CJE_d * \left[1 + MJE * \left(400e - 6 * (T - T_{meas}) - \frac{VJE(T) - VJE}{VJE} \right) \right]$$

Where:

- CJE_d is the geometry-adjusted base-emitter depletion capacitance.
- MJE is the base-emitter exponential factor.

The block uses the $CJE(T)$ equation to calculate the base-collector junction capacitance by substituting CJC_d , geometry-adjusted base-collector depletion capacitance, for CJE_d and MJC , base-collector exponential factor, for MJE .

The relationship between the forward and reverse beta and the transistor temperature, T , is

$$\beta(T) = \beta * \left(\frac{T}{T_{meas}} \right)^{XTB}$$

Where:

- β is the forward beta or reverse beta.
- XTB is the beta temperature exponent.

The relationship between the base-emitter leakage current, ISE , and the transistor temperature, T , is

$$ISE(T) = ISE_d * \left(\frac{T}{T_{meas}} \right)^{-XTB} * \left(\frac{IS(T)}{IS_d} \right)^{1/NE}$$

Where:

- ISE_d is the geometry-adjusted base-emitter leakage current.
- NE is the base-emitter emission coefficient.

The block uses this equation to calculate the base-collector leakage current by substituting, ISC_d , the geometry-adjusted base-collector leakage current for ISE_d and NC , the base-collector emission coefficient, for NE .

Assumptions and Limitations

- The block does not support noise analysis.
- The block applies initial conditions across junction capacitors and not across the block ports.

Ports

Conserving

bx – Base terminal

electrical

Electrical conserving port associated with the transistor base terminal.

cx – Collector terminal

electrical

Electrical conserving port associated with the transistor collector terminal.

ex – Emitter terminal

electrical

Electrical conserving port associated with the transistor emitter terminal.

sx – Substrate terminal

electrical

Electrical conserving port associated with the transistor substrate terminal.

Parameters

Main

Device area, AREA – Device area

1.0 m² (default) | positive scalar

Device area. The value must be greater than 0.

Number of parallel devices, SCALE – Number of parallel devices

1 (default) | positive scalar

Number of parallel transistors that the block represents. The value must be greater than 0.

Forward Gain

Transport saturation current, IS – Saturation current magnitude

1e-16 A/m² (default) | positive scalar

Magnitude of the current at which the transistor saturates. The value must be greater than 0.

Forward beta, BF – Ideal maximum forward beta

100 (default) | positive scalar

Ideal maximum forward beta. The value must be greater than 0.

Forward emission coefficient, NF – Forward emission coefficient

1 (default) | positive scalar

Forward emission coefficient or ideality factor. The value must be greater than 0.

Forward Early voltage, VAF — Forward Early voltage

Inf V (default) | nonnegative scalar

Forward Early voltage. The value must be greater than or equal to θ .

Forward knee current, IKF — Forward-beta high-current roll-off currentInf A/m² (default) | nonnegative scalar

Current value at which forward-beta high-current roll-off occurs. The value must be greater than or equal to θ .

B-E leakage current, ISE — Base-emitter leakage current θ A/m² (default) | nonnegative scalar

Base-emitter leakage current. The value must be greater than or equal to θ .

B-E emission coefficient, NE — Base-emitter emission coefficient

1.5 (default) | positive scalar

Base-emitter emission coefficient or ideality factor. The value must be greater than θ .

Reverse Gain**Reverse beta, BR — Ideal maximum reverse beta**

1 (default) | positive scalar

Ideal maximum reverse beta. The value must be greater than θ .

Reverse emission coefficient, NR — Reverse emission coefficient

1 (default) | positive scalar

Reverse emission coefficient or ideality factor. The value must be greater than θ .

Reverse Early voltage, VAR — Reverse Early voltage

Inf V (default) | nonnegative scalar

Reverse Early voltage. The value must be greater than or equal to θ .

Reverse knee current, IKR — Reverse-beta high-current roll-off currentInf A/m² (default) | nonnegative scalar

Current value at which reverse-beta high-current roll-off occurs. The value must be greater than or equal to θ .

B-C leakage current, ISC — Base-collector leakage current θ A/m² (default) | nonnegative scalar

Base-collector leakage current. The value must be greater than or equal to θ .

B-C emission coefficient, NC — Base-collector emission coefficient

2 (default) | positive scalar

Base-collector emission coefficient or ideality factor. The value must be greater than θ .

Resistors

Zero-bias base resistance, **RB** — Base resistance

1 m²*0hm (default) | nonnegative scalar

Maximum resistance of the base. The value must be greater than or equal to 0.

Half base resistance cur, **IRB** — Base resistance half zero-bias drop current

Inf A/m² (default) | nonnegative scalar

Base current at which the base resistance has dropped to half of its zero-bias value. The value must be greater than or equal to 0. If you do not want to model the change in base resistance as a function of base current, use the default value of Inf.

Minimum base resistance, **RBM** — Minimum base resistance

0 m²*0hm (default) | scalar < *RB*

Minimum resistance of the base. The value must be less than or equal to the **Zero-bias base resistance, RB** parameter value.

Emitter resistance, **RE** — Emitter resistance

1e-4 m²*0hm (default) | nonnegative scalar

Resistance of the emitter. The value must be greater than or equal to 0.

Collector resistance, **RC** — Collector resistance

0.01 m²*0hm (default) | nonnegative scalar

Resistance of the collector. The value must be greater than or equal to 0.

Capacitance

Model junction capacitance — Junction capacitance model

No (default) | Yes

Options for modeling the junction capacitance:

- No — Do not include junction capacitance in the model. This is the default option.
- Yes — Include junction capacitance in the model.

Dependencies

Selecting Yes for the **Model junction capacitance** parameter exposes other **Capacitance** parameters and these capacitance junction settings:

- **B-E Capacitance** — Base-emitter parameters
- **B-C Capacitance** — Base-collector parameters
- **C-S Capacitance** — Collector-substrate parameters

Capacitance coefficient, **FC** — Capacitance coefficient

0.5 (default) | 0 ≤ *FC* < 0.95 | scalar

Fitting coefficient, *FC*, that quantifies the decrease of the depletion capacitance with applied voltage. The value must be greater than or equal to 0 and less than 0.95.

Dependencies

This parameter is only visible when you select Yes for the **Model junction capacitance** parameter.

Specify initial condition — Initial condition model

No (default) | Yes

Options for specifying initial conditions:

- No — Do not specify an initial condition for the model. This is the default option.
- Yes — Specify the initial transistor conditions.

Note The block applies the initial transistor voltages across the junction capacitors and not across the ports.

Dependencies

This parameter is only visible when you select Yes for the **Model junction capacitance** parameter.

Selecting Yes for the **Specify initial condition** parameter exposes related parameters.

Initial condition voltage ICVBE — Initial base-emitter voltage

0 V (default) | scalar

Base-emitter voltage at the start of the simulation.

Dependencies

This parameter is only visible when you select Yes for the **Model junction capacitance** and Yes for the **Specify initial condition** parameter.

Initial condition voltage ICVCE — Initial base-collector voltage

0 V (default) | scalar

Base-collector voltage at the start of the simulation.

Dependencies

This parameter is only visible when you select Yes for the **Model junction capacitance** and Yes for the **Specify initial condition** parameter.

B-E Capacitance

These settings are exposed if you select Yes for the **Model junction capacitance** parameter in the **Capacitance** settings.

B-E depletion capacitance, CJE — Base-emitter junction depletion capacitance

0 F/m² (default) | nonnegative scalar

Depletion capacitance across the base-emitter junction. The value must be greater than or equal to 0.

Dependencies

This parameter is only visible when you select Yes for the **Model junction capacitance** parameter.

B-E built-in potential, VJE — Base-emitter junction potential

0.75 V (default) | scalar | $0.01 \leq VJE$

Base-emitter junction potential. The value must be greater than or equal to 0.01 .

Dependencies

This parameter is only visible when you select Yes for the **Model junction capacitance** parameter.

B-E exponential factor, MJE — Base-emitter junction grading coefficient

0.33 (default) | scalar | $0 \leq MJC \leq 0.9$

Grading coefficient for the base-emitter junction. The value must be greater than or equal to 0 and less than or equal to 0.9 .

Dependencies

This parameter is only visible when you select Yes for the **Model junction capacitance** parameter.

Forward transit time, TF — Minority carrier transit time

0 s (default) | nonnegative scalar

Transit time of the minority carriers that cause diffusion capacitance when the base-emitter junction is forward-biased. The value must be greater than or equal to 0 .

Dependencies

This parameter is only visible when you select Yes for the **Model junction capacitance** parameter.

Coefficient of TF, XTF — Base-emitter transit time bias dependence coefficient

0 (default) | nonnegative scalar

Coefficient for the base-emitter bias dependence of the transit time, which produces a charge across the base-emitter junction. The value must be greater than or equal to 0 . If you do not want to model the effect of base-emitter bias on transit time, use the default value of 0 .

Dependencies

This parameter is only visible when you select Yes for the **Model junction capacitance** parameter.

VBC dependence of TF, VTF — Base-collector transit time bias dependence coefficient

$\ln V$ (default) | nonnegative scalar

Coefficient for the base-collector bias dependence of the transit time. The value must be greater than or equal to 0 .

Dependencies

This parameter is only visible when you select Yes for the **Model junction capacitance** parameter.

Coefficient of TF, ITF — Collector current transit time dependence coefficient

0 A/m² (default) | nonnegative scalar

Coefficient for the dependence of the transit time on collector current. The value must be greater than or equal to 0 . If you do not want to model the effect of collector current on transit time, use the default value of 0 .

Dependencies

This parameter is only visible when you select Yes for the **Model junction capacitance** parameter.

B-C Capacitance

These settings are exposed if you select Yes for the **Model junction capacitance** parameter in the **Capacitance** settings.

B-C depletion capacitance, CJC — base-collector junction depletion capacitance

0 F/m^2 (default) | positive scalar

Depletion capacitance across the base-collector junction. The value must be greater than 0.

Dependencies

This parameter is only visible when you select Yes for the **Model junction capacitance** parameter.

B-C built-in potential, VJC — Base-collector junction potential

0.75 V (default) | scalar | $0.01 \leq VJC$

Base-collector junction potential. The value must be greater than or equal to 0.01 V .

Dependencies

This parameter is only visible when you select Yes for the **Model junction capacitance** parameter.

B-C exponential factor, MJC — Base-collector junction grading coefficient

0.33 (default) | $0 \leq MJC \leq 0.9$

Grading coefficient for the base-collector junction. The value must be greater than or equal to 0 and less than or equal to 0.9.

Dependencies

This parameter is only visible when you select Yes for the **Model junction capacitance** parameter.

B-C capacitance fraction, XCJC — Base-collector depletion capacitance fraction

1 (default) | scalar | $0 \leq XCJC \leq 1$

Fraction of the base-collector depletion capacitance that is connected between the internal base and the internal collector. The rest of the base-collector depletion capacitance is connected between the external base and the internal collector. The value must be greater than or equal to 0 and less than or equal to 1.

Dependencies

This parameter is only visible when you select Yes for the **Model junction capacitance** parameter.

Reverse transit time, TR — Minority carrier transit time

0 s (default) | nonnegative scalar

Transit time of the minority carriers that cause diffusion capacitance when the base-collector junction is forward-biased. The value must be greater than or equal to 0.

Dependencies

This parameter is only visible when you select Yes for the **Model junction capacitance** parameter.

C-S Capacitance

These settings are exposed if you select Yes for the **Model junction capacitance** parameter in the **Capacitance** settings.

C-S junction capacitance, CJS — Collector-substrate junction capacitance

0F/m^2 (default) | nonnegative scalar

Collector-substrate junction capacitance. The value must be greater than or equal to 0.

Dependencies

This parameter is only visible when you select Yes for the **Model junction capacitance** parameter.

Substrate built-in potential, VJS — Substrate potential

0.75 V (default) | scalar | $0.01 \leq VJS$

Potential of the substrate. The value must be greater than or equal to 0.01 V.

Dependencies

This parameter is only visible when you select Yes for the **Model junction capacitance** parameter.

Substrate exponential factor, MJS — Collector-substrate junction grading coefficient

0 (default) | scalar | $0 \leq MJS \leq 0.9$

Grading coefficient for the collector-substrate junction. The value must be greater than or equal to 0 and less than or equal to 0.9.

Dependencies

This parameter is only visible when you select Yes for the **Model junction capacitance** parameter.

Temperature

Model temperature dependence using — Temperature dependence model

Device temperature (default) | Fixed temperature

Select one of these options for modeling the transistor temperature dependence:

- **Device temperature** — Use the device temperature to model temperature dependence.
- **Fixed temperature** — Use a temperature that is independent of the circuit temperature to model temperature dependence.

For more information, see “Transistor Temperature” on page 1-1768.

Dependencies

Selecting **Device temperature** exposes the **Offset local circuit temperature, TOFFSET** parameter. Selecting **Fixed temperature** exposes the **Fixed circuit temperature, TFIXED** parameter.

Beta temperature exponent, XTB — Forward and reverse beta temperature exponent

0 (default) | nonnegative scalar

Forward and reverse beta temperature exponent that models base current temperature dependence. The value must be greater than or equal to 0.

Energy gap, EG — Energy gap1.11 eV (default) | $EG \geq 0.1$ | scalar

Energy gap that affects the increase in the saturation current as temperature increases. The value must be greater than or equal to 0.1.

Temperature exponent for IS, XTI — Saturation current exponential increase order

3 (default) | nonnegative scalar

Order of the exponential increase in the saturation current as temperature increases. The value must be greater than or equal to 0.

Offset local circuit temperature, TOFFSET — Local circuit temperature offset

0 K (default) | scalar

Amount by which the transistor temperature differs from the circuit temperature.

Dependencies

This parameter is only visible when you select Device temperature for the **Model temperature dependence using** parameter.

Fixed circuit temperature, TFIXED — Fixed circuit temperature

300.15 K (default) | positive scalar

Transistor simulation temperature. The value must be greater than 0 K.

Dependencies

This parameter is only visible when you select Fixed temperature for the **Model temperature dependence using** parameter.

Parameter extraction temperature, TMEAS — Parameter extraction temperature

300.15 K (default) | positive scalar

Temperature at which the transistor parameters are measured. The value must be greater than 0 K.

References

[1] G. Massobrio and P. Antognetti. *Semiconductor Device Modeling with SPICE*. 2nd Edition. New York: McGraw-Hill, 1993.

Extended Capabilities**C/C++ Code Generation**

Generate C and C++ code using Simulink® Coder™.

See Also**Simscape Blocks**

Environment Parameters | NPN Bipolar Transistor

Functions

subcircuit2ssc

Topics

“Additional Parameterization Workflows”

“Converting a SPICE Netlist to Simscape Blocks”

“Parameterize an Exponential Diode from SPICE Netlist”

Introduced in R2008a

SPICE PJFET

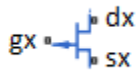
SPICE-compatible P-Channel JFET

Library: Simscape / Electrical / Additional Components / SPICE Semiconductors



Description

The SPICE PJFET block represents a SPICE-compatible P-channel junction field-effect transistor (PJFET). If the voltage applied to the gate port, **gx**, is greater than the voltage applied to the source port, **sx**, the current between the source port and drain port, **dx**, is reduced.



SPICE, or Simulation Program with Integrated Circuit Emphasis, is a simulation tool for electronic circuits. You can convert some SPICE subcircuits into equivalent Simscape Electrical models using the Environment Parameters block and SPICE-compatible blocks from the “Additional Components” library. For more information, see `subcircuit2ssc`.

Equations

Variables for the SPICE PJFET block equations include:

- Variables that you define by specifying parameters for the SPICE PJFET block. The visibility of some of the parameters depends on the value that you set for other parameters. For more information, see “Parameters” on page 1-1789.
- Geometry-adjusted variables, which depend on several of the values that you specify using parameters for the SPICE PJFET block. For more information, see “Geometry-Adjusted Variables” on page 1-1784.
- Temperature, T , which is 300.15 K by default. You can use a different value by specifying parameters for the SPICE PJFET block or by specifying parameters for both the SPICE PJFET block and an Environment Parameters block. For more information, see “Transistor Temperature” on page 1-1727.
- Temperature-dependent variables. For more information, see “Temperature Dependence” on page 1-1788.
- Minimal conductance, $GMIN$, which is $1e-12$ 1/Ohm by default. You can use a different value by specifying a parameter for an Environment Parameters block. For more information, see “Minimal Conduction” on page 1-1786.

Geometry-Adjusted Variables

Several variables in the equations for the P-channel junction field-effect transistor model consider the geometry of the device that the block represents. These geometry-adjusted variables depend on

variables that you define by specifying SPICE PJFET block parameters. The geometry-adjusted variables depend on these variables:

- *AREA* — Area of the device
- *SCALE* — Number of parallel connected devices
- The associated unadjusted variable

The table includes the geometry-adjusted variables and the defining equations.

Variable	Description	Equation
$BETA_d$	Geometry-adjusted transconductance	$BETA_d = BETA * AREA * SCALE$
CGD_d	Geometry-adjusted zero-bias gate-drain capacitance	$CGD_d = CGD * AREA * SCALE$
CGS_d	Geometry-adjusted zero-bias gate-source capacitance	$CGS_d = CGS * AREA * SCALE$
IS_d	Geometry-adjusted saturation current	$IS_d = IS * AREA * SCALE$
RS_d	Geometry-adjusted source resistance	$RS_d = \frac{RS}{AREA * SCALE}$
RD_d	Geometry-adjusted drain resistance	$RD_d = \frac{RD}{AREA * SCALE}$

Transistor Temperature

You can use these options to define transistor temperature, T :

- Fixed temperature — The block uses a temperature that is independent of the circuit temperature when the **Model temperature dependence using** parameter in the **Temperature** settings of the SPICE PJFET block is set to `Fixed` temperature. For this model, the block sets T equal to *TFIXED*.
- Device temperature — The block uses a temperature that depends on circuit temperature when the **Model temperature dependence using** parameter in the **Temperature** settings of the SPICE PJFET block is set to `Device` temperature. For this model, the block defines temperature as

$$T = T_C + TOFFSET$$

Where:

- T_C is the circuit temperature.

If there is not an Environment Parameters block in the circuit, T_C is equal to 300.15 K.

If there is an Environment Parameters block in the circuit, T_C is equal to the value that you specify for the **Temperature** parameter in the **SPICE** settings of the Environment Parameters block. The default value for the **Temperature** parameter is 300.15 K.

- *TOFFSET* is the offset local circuit temperature.

Minimal Conduction

Minimal conductance, *GMIN*, has a default value of 1e-12 1/Ohm. To specify a different value:

- 1 If there is not an Environment Parameters block in the transistor circuit, add one.
- 2 In the **SPICE** settings of the Environment Parameters block, specify the desired *GMIN* value for the **GMIN** parameter.

Source-Gate Current-Voltage Model

This table shows the equations that define the relationship between the source-gate current, *I_{sg}*, and the source-gate voltage, *V_{sg}*. As applicable, the model parameters are first adjusted for temperature. For more information, see “Temperature Dependence” on page 1-1706.

Applicable Range of <i>V_{sg}</i> Values	Corresponding <i>I_{sg}</i> Equation
$V_{sg} > 80 * V_t$	$I_{sg} = IS_d * \left(\left(\frac{V_{sg}}{V_t} - 79 \right) e^{80} - 1 \right) + V_{sg} * Gmin$
$80 * V_t \geq V_{sg}$	$I_{sg} = IS_d * \left(e^{V_{sg}/V_t} - 1 \right) + V_{sg} * Gmin$

Where:

- *IS_d* is the geometry-adjusted saturation current.
- *V_t* is the thermal voltage, such that $V_t = ND * k * T / q$.
- *ND* is the emission coefficient.
- *q* is the elementary charge on an electron.
- *k* is the Boltzmann constant.
- *T* is the transistor temperature. For more information, see “Transistor Temperature” on page 1-1785
- *GMIN* is the transistor minimum conductance. or more information, see “Minimal Conduction” on page 1-1786

Drain-Gate Current-Voltage Model

This table shows the relationship between the drain-gate current, *I_{dg}*, and the drain-gate voltage, *V_{dg}*. As applicable, model parameters are first adjusted for temperature.

Applicable Range of <i>V_{dg}</i> Values	Corresponding <i>I_{dg}</i> Equation
$V_{dg} > 80 * V_t$	$I_{dg} = IS_d * \left(\left(\frac{V_{dg}}{V_t} - 79 \right) e^{80} - 1 \right) + V_{dg} * Gmin$
$80 * V_t \geq V_{dg}$	$I_{dg} = IS_d * \left(e^{V_{dg}/V_t} - 1 \right) + V_{dg} * Gmin$

Source-Drain Current-Voltage Model

This table shows the relationship between the source-drain current, *I_{sd}*, and the source-drain voltage, *V_{sd}*, in normal mode (*V_{sd}* ≥ 0). As applicable, model parameters are first adjusted for temperature.

Applicable Range of V_{sg} and V_{dg} Values	Corresponding I_{sd} Equation
$V_{sg} - V_{to} \leq 0$	$I_{sd} = 0$
$0 < V_{sg} - V_{to} \leq V_{sd}$	$I_{sd} = \beta_d (V_{sg} - V_{to})^2 (1 + \lambda V_{sd})$
$0 < V_{sd} < V_{sg} - V_{to}$	$I_{sd} = \beta_d V_{sd} (2(V_{sg} - V_{to}) - V_{sd}) (1 + \lambda V_{sd})$

Where:

- V_{to} is the threshold voltage.
- β_d is the geometry-adjusted transconductance.
- λ is the channel modulation.

This table shows the relationship between the source-drain current, I_{sd} , and the source-drain voltage, V_{sd} , in inverse mode ($V_{sd} < 0$). As applicable, model parameters are first adjusted for temperature.

Applicable Range of V_{sgs} and V_{dg} Values	Corresponding I_{sd} Equation
$V_{dg} - V_{to} \leq 0$	$I_{sd} = 0$
$0 < V_{dg} - V_{to} \leq -V_{sd}$	$I_{sd} = -\beta_d (V_{dg} - V_{to})^2 (1 - \lambda V_{sd})$
$0 < -V_{sd} < V_{dg} - V_{to}$	$I_{sd} = \beta_d V_{sd} (2(V_{dg} - V_{to}) + V_{sd}) (1 - \lambda V_{sd})$

Junction Charge Model

This table shows the relationship between the source-gate charge, Q_{sg} , and the source-gate voltage, V_{sg} . As applicable, model parameters are first adjusted for temperature.

Applicable Range of V_{sg} Values	Corresponding Q_{sg} Equation
$V_{sg} < FC * VJ$	$Q_{sg} = \frac{CGS_d * VJ * \left(1 - \left(1 - \frac{V_{sg}}{VJ}\right)^{1 - MG}\right)}{1 - MG}$
$V_{sg} \geq FC * VJ$	$Q_{sg} = CGS_d * \left(F1 + \frac{F3 * (V_{sg} - FC * VJ) + \frac{MG * (V_{sg}^2 - (FC * VJ)^2)}{2 * VJ}}{F2} \right)$

Where:

- FC is the capacitance coefficient.
- VJ is the junction potential.
- CGS_d is the zero-bias gate-source capacitance.
- MG is the grading coefficient.
- $F1 = \frac{VJ * \left(1 - (1 - FC)^{1 - MG}\right)}{1 - MG}$

- $F2 = (1 - FC)^{1 + MG}$
- $F3 = 1 - FC * (1 + MG)$

This table shows the relationship between the drain-gate charge, Q_{dg} , and the drain-gate voltage, V_{dg} . As applicable, model parameters are first adjusted for temperature.

Applicable Range of V_{dg} Values	Corresponding Q_{dg} Equation
$V_{dg} < FC * VJ$	$Q_{dg} = \frac{CGD_d * VJ * \left(1 - \left(1 - \frac{V_{dg}}{VJ}\right)^{1 - MG}\right)}{1 - MG}$
$V_{dg} \geq FC * VJ$	$Q_{dg} = CGD_d * \left(F1 + \frac{F3 * (V_{dg} - FC * VJ) + \frac{MG * (V_{dg}^2 - (FC * VJ)^2)}{2 * VJ}}{F2} \right)$

Where:

- CGD_d is the geometry-adjusted zero-bias gate-drain capacitance.

Temperature Dependence

The block provides this relationship between the saturation current IS and the transistor temperature T :

$$IS(T) = IS_d * (T/T_{meas})^{\frac{XTI}{ND}} * e^{\left(\frac{T}{T_{meas}} - 1\right) * \frac{EG}{V_t}}$$

Where:

- IS_d is the geometry-adjusted saturation current.
- T_{meas} is the parameter extraction temperature.
- XTI is the saturation current temperature exponent.
- EG is the energy gap.
- V_t is the thermal voltage, such that $V_t = ND * k * T / q$.
- ND is the emission coefficient.

The relationship between the junction potential, VJ , and the transistor temperature T is

$$VJ(T) = VJ * \left(\frac{T}{T_{meas}}\right) - \frac{3 * k * T}{q} * \log\left(\frac{T}{T_{meas}}\right) - \left(\frac{T}{T_{meas}}\right) * EG_{T_{meas}} + EG_T$$

Where:

- VJ is the junction potential.
- $EG_{T_{meas}} = 1.16eV - (7.02e - 4 * T_{meas}^2) / (T_{meas} + 1108)$
- $EG_T = 1.16eV - (7.02e - 4 * T^2) / (T + 1108)$

The relationship between the gate-source junction capacitance, CGS , and the transistor temperature, T :

$$CGS(T) = CGS_d * \left[1 + MG * \left(400e - 6 * (T - T_{meas}) - \frac{VJ(T) - VJ}{VJ} \right) \right]$$

Where:

- CGS_d is the geometry-adjusted zero-bias gate-source capacitance.

The block uses the $CGS(T)$ equation to calculate the gate-drain junction capacitance by substituting CGD_d , the zero-bias gate-drain capacitance, for CGS_d .

The relationship between the transconductance, β , and the transistor temperature T is

$$\beta(T) = \beta_d * \left(\frac{T}{T_{meas}} \right)$$

Where β_d is the geometry-adjusted transconductance.

Assumptions and Limitations

- The block does not support noise analysis.
- The block applies initial conditions across junction capacitors and not across the block ports.

Ports

Conserving

gx – Gate terminal

electrical

Electrical conserving port associated with the transistor gate terminal.

dx – Drain terminal

electrical

Electrical conserving port associated with the transistor drain terminal.

sx – Source terminal

electrical

Electrical conserving port associated with the transistor source terminal.

Parameters

Main

Device area, AREA – Device area

1.0 m² (default) | positive scalar

Transistor area. The value must be greater than 0.

Number of parallel devices, SCALE – Number of parallel devices

1 (default) | positive integer

Number of parallel transistors the block represents. The value must be an integer greater than 0.

Threshold voltage, VT0 — Threshold voltage

-2 V (default) | scalar

Source-gate voltage above which the transistor produces a nonzero drain current.

Transconductance, BETA — Channel modulation

$1e-4 \text{ A/m}^2/\text{V}^2$ (default) | nonnegative scalar

Derivative of drain current with respect to gate voltage. The value must be greater than or equal to 0.

Channel modulation, LAMBDA — Channel modulation

0 1/V (default) | scalar

Channel modulation.

Saturation current, IS — Saturation current

$1e-14 \text{ A/m}^2$ (default) | nonnegative scalar

Magnitude of the current that the gate-current equation approaches asymptotically for very large reverse bias levels. The value must be greater than or equal to 0.

Drain resistance, RD — Series resistance

0.01 $\text{m}^2 \cdot \Omega$ (default) | nonnegative scalar

Transistor drain resistance. The value must be greater than or equal to 0.

Source resistance, RS — Series resistance

0.0001 $\text{m}^2 \cdot \Omega$ (default) | nonnegative scalar

Transistor source resistance. The value must be greater than or equal to 0.

Emission coefficient, N — Emission coefficient

1 (default) | positive scalar

Transistor emission coefficient or ideality factor. The value must be greater than 0.

Junction Capacitance**Model junction capacitance — Junction capacitance model**

No (default) | Yes

Options for modeling the junction capacitance:

- No — Do not include junction capacitance in the model.
- Yes — Specify zero-bias junction capacitance, junction potential, grading coefficient, forward-bias depletion capacitance coefficient, and transit time.

Dependencies

Selecting Yes exposes related parameters.

Zero-bias GS capacitance, CGS — Zero-bias junction capacitance

0 F/ m^2 (default) | nonnegative scalar

Value of the capacitance placed between the gate and the source. The value must be greater than or equal to 0.

Dependencies

This parameter is only visible when you select Yes for the **Model junction capacitance** parameter.

Zero-bias GD capacitance, CGD — Zero-bias junction capacitance

0 F/m² (default) | nonnegative scalar

Value of the capacitance placed between the gate and the drain. The value must be greater than or equal to 0.

Dependencies

This parameter is only visible when you select Yes for the **Model junction capacitance** parameter.

Junction potential, VJ — Junction potential

1 V (default) | $VJ > 0.01$ | scalar

Junction potential, *VJ*. The value must be greater than 0.01 V.

Dependencies

This parameter is only visible when you select Yes for the **Model junction capacitance** parameter.

Grading coefficient, M — Grading coefficient

0.5 (default) | $0 < M < 0.9$ | scalar

Grading coefficient, *M*. The value must be greater than 0 and less than 0.9.

Dependencies

This parameter is only visible when you select Yes for the **Model junction capacitance** parameter.

Capacitance coefficient, FC — Capacitance coefficient

0.5 (default) | $0 \leq FC < 0.95$ | scalar

Fitting coefficient, *FC*, that quantifies the decrease of the depletion capacitance with applied voltage. The value must be greater than or equal to 0 and less than 0.95.

Dependencies

This parameter is only visible when you select Yes for the **Model junction capacitance** parameter.

Specify initial condition — Initial condition model

No (default) | Yes

Options for specifying initial conditions:

- No — Do not specify an initial condition for the model.
- Yes — Specify the initial transistor voltage.

Note The SPICE PJFET block applies the initial transistor voltage across the junction capacitors and not across the ports.

Dependencies

This parameter is only visible when you select Yes for the **Model junction capacitance** parameter.

Selecting Yes for this parameter exposes the **Initial condition voltage, ICVDS** and **Initial condition voltage, ICVGS** parameters.

Initial condition voltage, ICVDS — Initial voltage

0 V (default) | scalar

Drain-source voltage at the start of the simulation.

Dependencies

This parameter is only visible when you select Yes for the **Model junction capacitance** and Yes for the **Specify initial condition** parameter.

Initial condition voltage, ICVGS — Initial voltage

0 V (default) | scalar

Gate-source voltage at the start of the simulation.

Dependencies

This parameter is only visible when you select Yes for the **Model junction capacitance** and Yes for the **Specify initial condition** parameter.

Temperature**Model temperature dependence using — Temperature dependence model**

Device temperature (default) | Fixed temperature

Select one of these options for modeling the transistor temperature dependence:

- **Device temperature** — Use the device temperature to model temperature dependence.
- **Fixed temperature** — Use a temperature that is independent of the circuit temperature to model temperature dependence.

For more information, see “Transistor Temperature” on page 1-1785.

Dependencies

Selecting **Device temperature** exposes the **Offset local circuit temperature, TOFFSET** parameter. Selecting **Fixed temperature** exposes the **Fixed circuit temperature, TFIXED** parameter.

Saturation current temperature exponent, XTI — Saturation current temperature exponent

0 (default) | positive scalar

Order of the exponential increase in the saturation current as temperature increases. The value must be greater than 0.

Activation energy, EG — Activation energy

1.11 eV (default) | $EG \geq 0.1$ | scalar

Transistor activation energy. The value must be greater than or equal to 0.1.

Fixed circuit temperature, TFIXED — Fixed circuit temperature

300.15 K (default) | positive scalar

Transistor simulation temperature. The value must be greater than 0.

Dependencies

This parameter is only visible when you select `Fixed` temperature for the **Model temperature dependence using** parameter.

Parameter extraction temperature, TMEAS — Parameter extraction temperature

300.15 K (default) | positive scalar

Temperature at which the transistor parameters are measured. The value must be greater than 0.

Offset local circuit temperature, TOFFSET — Local circuit temperature offset

0 K (default) | scalar

Amount by which the transistor temperature differs from the circuit temperature.

Dependencies

This parameter is only visible when you select `Device` temperature for the **Model temperature dependence using** parameter.

References

- [1] G. Massobrio and P. Antognetti. *Semiconductor Device Modeling with SPICE*. 2nd Edition. New York: McGraw-Hill, 1993.

Extended Capabilities

C/C++ Code Generation

Generate C and C++ code using Simulink® Coder™.

See Also

Simscape Blocks

Environment Parameters | P-Channel JFET | SPICE NJFET

Functions

subcircuit2ssc

Topics

“Additional Parameterization Workflows”

“Converting a SPICE Netlist to Simscape Blocks”

“Parameterize an Exponential Diode from SPICE Netlist”

Introduced in R2008a

SPICE PMOS

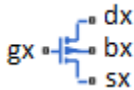
SPICE-compatible P-Channel MOSFET

Library: Simscape / Electrical / Additional Components / SPICE Semiconductors



Description

The SPICE PMOS block represents a SPICE-compatible positive-channel (P-Channel) metal-oxide semiconductor (MOS) field-effect transistor (FET). If the gate-source voltage decreases, the channel conductance increases. If the gate-source voltage is increased, the channel conductance decreases.



SPICE, or Simulation Program with Integrated Circuit Emphasis, is a simulation tool for electronic circuits. You can convert some SPICE subcircuits into equivalent Simscape Electrical models using the Environment Parameters block and SPICE-compatible blocks from the “Additional Components” library. For more information, see `subcircuit2ssc`.

Equation Variables

Variables for the SPICE PMOS block equations include:

- Variables that you define by specifying parameters for the SPICE PMOS block. The visibility of some of the parameters depends on the value that you set for other parameters. For more information, see “Parameters” on page 1-1815.
- Geometry-adjusted variables, which depend on several of the values that you specify using parameters for the SPICE PMOS block. For more information, see “Geometry-Adjusted Variables” on page 1-1794.
- Temperature, T , which is 300.15 K by default. You can use a different value by specifying parameters for the SPICE PMOS block or by specifying parameters for both the SPICE PMOS block and an Environment Parameters block. For more information, see “Transistor Temperature” on page 1-1795.
- Minimal conductance, $GMIN$, which is $1e-12$ 1/Ohm by default. You can use a different value by specifying a parameter for an Environment Parameters block. For more information, see “Minimal Conduction” on page 1-1796.
- Thermal voltage, V_{tn} . For more information, see “Thermal Voltage” on page 1-1796.

Geometry-Adjusted Variables

Several variables in the equations for the SPICE P-channel MOSFET model consider the geometry of the device that the block represents. These geometry-adjusted variables depend on variables that you define by specifying SPICE PMOS block parameters. The geometry-adjusted variables depend on these variables:

- *AREA* — Area of the device
- *SCALE* — Number of parallel connected devices
- The associated unadjusted variable

The table includes the geometry-adjusted variables and the defining equations.

Variable	Description	Equation
KP_d	Geometry-adjusted transconductance	$KP_d = KP * AREA * SCALE$
IS_d	Geometry-adjusted bulk saturation current	$IS_d = IS * AREA * SCALE$
JS_d	Geometry-adjusted bulk junction saturation current density	$JS_d = JS * AREA * SCALE$
CBD_d	Geometry-adjusted zero-bias bulk-drain capacitance	$CBD_d = CBD * AREA * SCALE$
CBS_d	Geometry-adjusted zero-bias bulk-source capacitance	$CBS_d = CBS * AREA * SCALE$
$CGSO_d$	Geometry-adjusted gate-source overlap capacitance	$CGSO_d = CGSO * AREA * SCALE$
$CGDO_d$	Geometry-adjusted gate-drain overlap capacitance	$CGDO_d = CGDO * AREA * SCALE$
$CGBO_d$	Geometry-adjusted gate-bulk overlap capacitance	$CGBO_d = CGBO * AREA * SCALE$
CJ	Geometry-adjusted bottom capacitance per junction area	$CJ_d = CJ * AREA * SCALE$
$CJSW$	Geometry-adjusted sidewall capacitance per junction perimeter	$CJSW_d = CJSW * AREA * SCALE$
RD_d	Geometry-adjusted drain resistance	$RD_d = \frac{RD}{AREA * SCALE}$
RS_d	Geometry-adjusted source resistance	$RS_d = \frac{RS}{AREA * SCALE}$
RSH_d	Geometry-adjusted sheet resistance	$RSH_d = \frac{RSH}{AREA * SCALE}$

Transistor Temperature

There are two different options for defining transistor temperature, T :

- Fixed temperature — The block uses a temperature that is independent of the circuit temperature when the **Model temperature dependence using** parameter in the **Temperature** settings of the SPICE PMOS block is set to Fixed temperature. For this model, the block sets T equal to *TFIXED*.
- Device temperature — The block uses a temperature that depends on circuit temperature when the **Model temperature dependence using** parameter in the **Temperature** settings of the SPICE PMOS block is set to Device temperature. For this model, the block defines temperature as

$$T = T_C + TOFFSET$$

Where:

- T_C is the circuit temperature.

If there is not an Environment Parameters block in the circuit, T_C is equal to 300.15 K.

If there is an Environment Parameters block in the circuit, T_C is equal to the value that you specify for the **Temperature** parameter in the **SPICE** settings of the Environment Parameters block. The default value for the **Temperature** parameter is 300.15 K.

- $TOFFSET$ is the offset local circuit temperature.

Minimal Conduction

Minimal conductance, $GMIN$, has a default value of $1e-12$ 1/ohm. To specify a different value:

- 1 If there is not already an Environment Parameters block in the circuit, add one.
- 2 In the **SPICE** settings of the Environment Parameters block, specify the desired $GMIN$ value for the **GMIN** parameter.

Thermal Voltage

V_{tn} is the thermal voltage, which is defined as

$$V_{tn} = N \frac{k * T}{q}$$

Where:

- N is the emission coefficient.
- T is the transistor temperature. For more information, see “Transistor Temperature” on page 1-1795.
- k is the Boltzmann constant.
- q is the elementary charge on an electron.

Parameters Calculations

The tables show how the SPICE PMOS block determines some of its parameters based on values that you specify.

Drain Resistance

Parameter Values			Geometry-Adjusted Transistor Drain Resistance
Drain resistance, RD	Sheet resistance, RSH	Number of drain squares, NRD	
NaN	NaN	NaN	0
NaN	RSH	NaN	0
NaN	NaN	NRD	0
RD	NaN or RSH	NaN or NRD	RD_d
NaN	RSH	NRD	$RSH_d * NRD$

Source Resistance

Parameter Values			Geometry-Adjusted Transistor Source Resistance
Source resistance, RS	Sheet resistance, RSH	Number of source squares, NRS	
NaN	NaN	NaN	0
NaN	<i>RSH</i>	NaN	0
NaN	NaN	<i>NRS</i>	0
<i>RS</i>	NaN or <i>RSH</i>	NaN or <i>NRS</i>	RS_d
NaN	<i>RSH</i>	<i>NRS</i>	$RSH_d * NRS$

Transconductance and Surface Mobility

Parameter Values			Geometry-Adjusted Transconductance (level 1), in A/V ²	Geometry-Adjusted Transconductance (level 3), in A/V ²	Surface mobility (level 3), in cm ² /s/V
Oxide thickness, TOX	Surface mobility, U0	Transconductance, KP			
NaN	NaN	NaN	2e-5 (default value)	2e-5 (default value)	600 (default value)
NaN	NaN	KP	KP_d	KP_d	600
NaN	U0	NaN	2e-5	$U0 * EPXox / 1e-7$	U0
NaN	U0	KP	KP_d	KP_d	U0
<i>TOX</i>	NaN	NaN	$600 * EPXox / TOX$	$600 * EPXox / TOX$	600
<i>TOX</i>	NaN	KP	KP_d	KP_d	600
<i>TOX</i>	U0	NaN	$U0 * EPXox / TOX$	$U0 * EPXox / TOX$	U0
<i>TOX</i>	U0	KP	KP_d	KP_d	U0

Oxide Thickness and Threshold Voltage

Parameter Values				Surface potential, PHI (level 1), in V	Threshold voltage, VTO (level 1), in V	Surface potential, PHI (level 3), in V	Threshold voltage, VTO (level 3), in V
Oxide thickness, TOX	Substrate doping, NSUB	Surface potential, PHI	Threshold voltage, VTO				
NaN	NaN	NaN	NaN	0.6 (default value)	0 (default value)	0.6 (default value)	0 (default value)
NaN	NaN	NaN	VTO	0.6	VTO	0.6	VTO
NaN	NaN	PHI	NaN	PHI	0	PHI	0
NaN	NaN	PHI	VTO	PHI	VTO	PHI	VTO
NaN	NSUB	NaN	NaN	0.6	0	PHI (1e-7, NSUB)	VTO (1e-7, NSUB)
NaN	NSUB	NaN	VTO	0.6	VTO	PHI (1e-7, NSUB)	VTO
NaN	NSUB	PHI	NaN	PHI	0	PHI	VTO (1e-7, NSUB)
NaN	NSUB	PHI	VTO	PHI	VTO	PHI	VTO
TOX	NaN	NaN	NaN	0.6	0	0.6	0
TOX	NaN	NaN	VTO	0.6	VTO	0.6	VTO
TOX	NaN	PHI	NaN	PHI	0	PHI	0
TOX	NaN	PHI	VTO	PHI	VTO	PHI	VTO
TOX	NSUB	NaN	NaN	PHI (NSUB, TOX)	VTO (NSUB, TOX)	PHI (NSUB, TOX)	VTO (NSUB, TOX)
TOX	NSUB	NaN	VTO	PHI (NSUB, TOX)	VTO	PHI (NSUB, TOX)	VTO
TOX	NSUB	PHI	NaN	PHI	VTO (NSUB, TOX)	PHI	VTO (NSUB, TOX)
TOX	NSUB	PHI	VTO	PHI	VTO	PHI	VTO

Where PHI (NSUB, TOX), PHI (1e-7, NSUB), VTO (NSUB, TOX), and VTO (1e-7, NSUB) are obtained using these equations:

$$PHI = 2 \frac{kT}{q} \ln \left(\frac{NSUB}{ni} \right)$$

$$GAMMA = \frac{\sqrt{2q\epsilon_{si}NSUB}}{C_{ox}}$$

$$V_{FB} = \varphi_{MS} - \frac{qNSS}{C_{ox}}$$

$$V_{T0} = V_{FB} - PHI - GAMMA * \sqrt{PHI}.$$

Bulk-Source Diode Model

The table shows the equations that define the relationship between the source-bulk current, I_{sb} , and voltage, V_{sb} . As applicable, the model parameters are first adjusted for temperature. For more information, see "Temperature Dependence" on page 1-1811.

Applicable Range of V_{sb} Values	Corresponding I_{gs} Equation
$V_{sb} > 80 * V_{tn}$	$I_{sb} = IS_{sb} * \left(\left(\frac{V_{sb}}{V_{tn}} - 79 \right) e^{80} - 1 \right) + V_{sb} * G_{min}$
$80V_{tn} \geq V_{sb}$	$I_{sb} = IS_{sb} * \left(e^{V_{sb}/V_{tn}} - 1 \right) + V_{sb} * G_{min}$

Where:

- IS_{sb} is the bulk saturation current, such that, if:
 - $JS_d \neq 0$ and $AS \neq 0$, $IS_{sb} = JS_d * AS$.

Where:

- JS_d is the geometry-adjusted bulk junction saturation current density.
- AS is the source area.
- If $JS_d = 0$ or $AS = 0$, $IS_{sb} = IS_d$, where IS_d is the geometry-adjusted bulk saturation current.
- V_{tn} is the thermal voltage. For more information, see "Thermal Voltage" on page 1-1796.
- G_{min} is the minimal conductance. For more information, see "Minimal Conduction" on page 1-1796.

Bulk-Drain Diode Model

The table shows the equations that define the relationship between the drain-bulk current, I_{db} , and voltage, V_{db} . As applicable, the model parameters are first adjusted for temperature. For more information, see "Temperature Dependence" on page 1-1811.

Applicable Range of V_{db} Values	Corresponding I_{db} Equation
$V_{db} > 80 * V_{tn}$	$I_{db} = IS_{db} * \left(\left(\frac{V_{db}}{V_{tn}} - 79 \right) e^{80} - 1 \right) + V_{db} * G_{min}$
$80V_{tn} \geq V_{db}$	$I_{db} = IS_{db} * \left(e^{V_{db}/V_{tn}} - 1 \right) + V_{db} * G_{min}$

Where:

- IS_{db} is the bulk drain current, such that:
 - If $JS_d \neq 0$ and $AD \neq 0$, $IS_{db} = JS_d * AD$.

Where:

- JS_d is the geometry-adjusted bulk junction saturation current density.
- AD is the drain area.
- If $JS_d = 0$ or $AD = 0$, $IS_{db} = IS_d$, where IS_d is the geometry-adjusted bulk saturation current.
- V_{tn} is the thermal voltage. For more information, see “Thermal Voltage” on page 1-1796.
- G_{min} is the minimal conductance. For more information, see “Minimal Conduction” on page 1-1796.

Level 1 Drain Current Model

This table shows relationship between the drain current I_{sd} and the source-drain voltage V_{sd} in normal mode ($V_{sd} \geq 0$). As applicable, model parameters are first adjusted for temperature.

Normal Mode

Applicable Range of V_{sg} and V_{sd} Values	Corresponding I_{sd} Equation
$V_{sg} - V_{on} \leq 0$	$I_{sd} = 0$
$0 < V_{sg} - V_{on} \leq V_{sd}$	$I_{sd} = BETA * (V_{sg} - V_{on})^2 \frac{(1 + LAMBDA * V_{sd})}{2}$
$0 < V_{sd} < V_{sg} - V_{on}$	$I_{sd} = BETA * V_{sd} \left((V_{sg} - V_{on}) - \frac{V_{sd}}{2} \right) (1 + LAMBDA * V_{sd})$

Where:

- V_{on} depends on V_{sb} and PHI .

Applicable Relationship of V_{sb} and PHI Values	Corresponding V_{on} Equation
$V_{sb} \leq 0$	$V_{on} = MTYPE * VBI + GAMMA \sqrt{PHI - V_{sb}}$
$0 < V_{sb} \leq 2 * PHI$	$V_{on} = MTYPE * VBI + GAMMA \left(\sqrt{PHI} - \frac{V_{sb}}{2\sqrt{PHI}} \right)$
$V_{sb} > 2 * PHI$	$V_{on} = MTYPE * VBI$

- $MTYPE$ is -1.
- $BETA$ is $BETA = (KP_d * WIDTH) / (LENGTH - 2 * LD)$
- KP is:
 - The **Transconductance, KP**, if this parameter has a numerical value.
 - $U0 * 3.9 * \epsilon_0 / TOX$, if **Transconductance, KP** is NaN and you specify values for both the **Oxide thickness, TOX** and **Substrate doping, NSUB** parameters.
- $WIDTH$ is the channel width.
- $LENGTH$ is the channel length.

- *LD* is the lateral diffusion.
- *VBI* is a built-in voltage value the block uses in calculations. The value is a function of temperature. For a detailed definition, see “Temperature Dependence” on page 1-1811.
- *PHI* is:
 - The **Surface potential, PHI**, if this parameter has a numerical value.
 - $2 * kT_{meas} / q * \log(NSUB/n_i)$, if **Surface potential, PHI** is NaN and you specify values for both the **Oxide thickness, TOX** and **Substrate doping, NSUB** parameters.
- *LAMBDA* is the channel modulation.
- *GAMMA* is:
 - The **Bulk threshold, GAMMA**, if this parameter has a numerical value.
 - $TOX * \sqrt{2 * 11.7 * \epsilon_0 * q * NSUB} / (3.9 * \epsilon_0)$, if **Bulk threshold, GAMMA** is NaN and you specify values for both the **Oxide thickness, TOX** and **Substrate doping, NSUB** parameters.
- ϵ_0 is the permittivity of free space, 8.854214871e-12 F/m.
- n_i is the carrier concentration of intrinsic silicon, 1.45e10 cm⁻³.

This table shows relationship between the drain current I_{sd} and the source-drain voltage V_{sd} in inverse mode ($V_{sd} < 0$). As applicable, model parameters are first adjusted for temperature.

Inverse Mode

Applicable Range of V_{dg} and V_{sd} Values	Corresponding I_{sd} Equation
$V_{dg} - V_{on} \leq 0$	$I_{sd} = 0$
$0 < V_{dg} - V_{on} \leq -V_{sd}$	$I_{sd} = -BETA(V_{dg} - V_{on})^2(1 - LAMBDA * V_{sd})/2$
$0 < -V_{sd} < V_{dg} - V_{on}$	$I_{sd} = BETA * V_{sd}((V_{dg} - V_{on}) + V_{sd}/2)(1 - LAMBDA * V_{sd})$

V_{on} depends on V_{db} and *PHI*.

Applicable Relationship of V_{db} and <i>PHI</i> Values	Corresponding V_{on} Equation
$V_{db} \leq 0$	$V_{on} = MTYPE * VBI + GAMMA \sqrt{PHI - V_{db}}$
$0 < V_{db} \leq 2 * PHI$	$V_{on} = MTYPE * VBI + GAMMA \left(\sqrt{PHI} - \frac{V_{db}}{2\sqrt{PHI}} \right)$
$V_{db} > 2 * PHI$	$V_{on} = MTYPE * PHI$

Level 3 Drain Current Model

The block provides the following model for drain current I_{sd} in normal mode ($V_{sd} \geq 0$) after adjusting the applicable model parameters for temperature.

$$I_{SD} = I_{SD0} * Scale_{VMAX} * Scale_{LChan} * Scale_{INV}$$

Where:

- I_{DS0} is the Basic Drain Current Model on page 1-1802.
- $Scale_{VMAX}$ is the Velocity Saturation Scaling on page 1-1804.
- $Scale_{LChan}$ is the Channel Length Modulation Scaling on page 1-1804.
- $Scale_{INV}$ is the Weak Inversion Scaling on page 1-1805.

The block uses the same model for drain current in inverse mode ($V_{sd} < 0$), with the following substitutions:

- $V_{sb} \equiv V_{sb} - V_{sd}$
- $V_{sg} \equiv V_{sg} - V_{sd}$
- $V_{sd} \equiv -V_{sd}$

Basic Drain Current Model

The relationship between the drain current I_{sd} and the source-drain voltage V_{sd} is

$$I_{SD0} = BETA * F_{gate} * \left(V_{SGX} - V_{TH} - \frac{1 + F_B}{2} * V_{SDX} \right) * V_{SDX}$$

Where:

- $BETA$ is calculated as described in “Level 1 Drain Current Model” on page 1-1800.
- F_{GATE} is calculated as

$$F_{gate} = \frac{1}{1 + THETA * (V_{sgx} - V_{TH})}$$

Where:

- $THETA$ models the dependence of the mobility on the gate-source voltage.
- $V_{sgx} = \max(V_{SG}, V_{on})$
- If you specify a nonzero value for the **Fast surface state density, NFS** parameter, the block calculates V_{on} using this equation:

$$V_{on} = V_{TH} + x_n V_T$$

Otherwise,

$$V_{on} = V_{TH}$$

- The block calculates x_n as

$$x_n = 1 + \frac{q * NFS}{COX} + \frac{\left(GAMMA * F_s * \sqrt{V_{bulk}} + \frac{F_n * V_{bulk}}{WIDTH} \right)}{2 * V_{bulk}}$$

- The block calculates V_{bulk} as follows:

- If

$$V_{SB} \leq 0,$$

$$V_{bulk} = PHI - V_{SB}.$$

- Otherwise, the block calculates V_{bulk} as

$$V_{bulk} = \frac{PHI}{\left(1 + \frac{V_{SB}}{2 * PHI}\right)^2}$$

- Thermal voltage such that

$$V_T = \frac{kT}{q}$$

- The block calculates V_{TH} using the following equation:

$$V_{TH} = V_{BI} - \frac{8.15e^{-22} * ETA}{COX * (LENGTH - 2 * LD)^3} * V_{SD} + GAMMA * F_s * \sqrt{V_{bulk}} + F_n * V_{bulk}$$

- For information about how the block calculates V_{BI} , see “Temperature Dependence” on page 1-1811.
- **ETA** is the **Vds dependence threshold volt, ETA**.
- $COX = \frac{\epsilon_{ox}}{TOX}$,

Where ϵ_{ox} is the permittivity of the oxide and **TOX** is the **Oxide thickness, TOX**.

- If you specify a nonzero value for the **Junction depth, XJ** parameter and a value for the **Substrate doping, NSUB** parameter, the block calculates F_s using these equations:

$$\alpha = \frac{2\epsilon_{si}}{qNSUB}$$

$$XD = \sqrt{\alpha}$$

$$wc = .0631353 + .8013292 * \frac{XD * \sqrt{V_{bulk}}}{XJ} - .01110777 * \left(\frac{XD * \sqrt{V_{bulk}}}{XJ}\right)^2 + \frac{LD}{XJ}$$

$$F_s = 1 - \left(wc * \sqrt{1 - \left(\frac{XD * \sqrt{V_{bulk}}}{XJ + XD * \sqrt{V_{bulk}}}\right)^2} - \frac{LD}{XJ} \right)$$

Where ϵ_{si} is the permittivity of silicon.

Otherwise,

$$F_s = 1$$

- The block calculates F_B as

$$F_B = \frac{GAMMA * F_s}{4 * \sqrt{V_{bulk}}} + F_n$$

- The block calculates F_n as

$$F_n = \frac{DELTA * \pi * \epsilon_{si}}{2 * COX * WIDTH}$$

- *DELTA* is the width effect on threshold.
- V_{SDX} is the lesser of V_{SD} and the saturation voltage, V_{dsat} .
- If you specify a positive value for the **Max carrier drift velocity, VMAX** parameter, the block calculates V_{dsat} using the following equation:

$$V_{dsat} = \frac{V_{sgx} - V_{TH}}{1 + F_B} + \frac{(LENGTH - 2 * LD) * VMAX}{UO * F_{gate}}$$

$$- \sqrt{\left(\frac{V_{sgx} - V_{TH}}{1 + F_B}\right)^2 + \left(\frac{(LENGTH - 2 * LD) * VMAX}{UO * F_{gate}}\right)^2}$$

Otherwise, the block calculates V_{dsat} as

$$V_{dsat} = \frac{V_{sgx} - V_{TH}}{1 + F_B}$$

Velocity Saturation Scaling

If you specify a positive value for the **Max carrier drift velocity, VMAX** parameter, the block calculates $Scale_{VMAX}$ as

$$Scale_{VMAX} = \frac{1}{1 + \frac{UO * F_{gate}}{(LENGTH - 2 * LD) * VMAX} * V_{SDX}}$$

Otherwise,

$$Scale_{VMAX} = 1$$

Channel Length Modulation Scaling

The block scales the drain current to account for channel length modulation if $V_{SD} > V_{dsat}$ and the **Max carrier drift velocity, VMAX** is less than or equal to zero or α is nonzero.

The block scales the drain current using the following equation:

$$Scale_{LChan} = \frac{1}{1 - \frac{\Delta l}{(LENGTH - 2 * LD)}}$$

To calculate Δl the block:

- 1 Calculates the intermediate value Δl_0 .
 - If you specify a positive value for the **Max carrier drift velocity, VMAX** parameter, the block computes the intermediate value g_{dsat} as the greater of 1e-12 and the result of the following equation:

$$I_{SD0} * \left(1 - \frac{1}{1 + Scale_{g_{dsat}} * V_{SDX}}\right) * Scale_{g_{dsat}}$$

Where:

$$Scale_{g_{dsat}} = \frac{UO * F_{gate}}{(LENGTH - 2 * LD) * VMAX}$$

Then, the block uses the following equation to calculate the intermediate value Δl_0 :

$$\Delta l_0 = \sqrt{\left(\frac{KA * I_{SD}}{2 * (LENGTH - 2 * LD) * g_{dsat}}\right)^2 + KA * (V_{SD} - V_{dsat})} - \frac{KA * I_{SD}}{2 * (LENGTH - 2 * LD) * g_{dsat}}$$

Where

$$KA = KAPPA * \alpha .$$

- Otherwise, the block uses the following equation to calculate the intermediate value Δl_0 as

$$\Delta l = \sqrt{KA * (V_{SD} - V_{dsat})}$$

- 2 The block checks for punch through and calculates Δl .

- If

$$\Delta l_0 > (LENGTH - 2 * LD) / 2,$$

the block calculates Δl using the following equation:

$$\Delta l = \left(1 - \frac{(LENGTH - 2 * LD)}{4 * \Delta l_0}\right) * (LENGTH - 2 * LD)$$

- Otherwise,

$$\Delta l = \Delta l_0 .$$

Weak Inversion Scaling

If V_{SG} is less than V_{on} , the block calculates $Scale_{INV}$ using the following equation:

$$Scale_{INV} = e^{\frac{V_{sg} - V_{on}}{\alpha_n * V_T}}$$

Otherwise,

$$Scale_{INV} = 1$$

Junction Charge Model

The block models the “Junction Overlap Charges” on page 1-1805 and the “Bulk Junction Charges” on page 1-1806.

Junction Overlap Charges

The block calculates the following junction overlap charges:

- $Q_{SG} = CGSO_d * WIDTH * V_{sg}$

Where:

- Q_{SG} is the source-gate overlap charge.
- $CGSO_d$ is the geometry adjusted gate-source overlap capacitance.

- *WIDTH* is the channel width.
- $Q_{DG} = CGDO_d * WIDTH * V_{dg}$

Where:

- Q_{DG} is the drain-gate overlap charge.
- $CGDO_d$ is the geometry adjusted gate-drain overlap capacitance.
- $Q_{BG} = CGBO_d * (LENGTH - 2 * LD) * V_{bg}$

Where:

- Q_{BG} is the bulk-gate overlap charge.
- $CGBO_d$ is the geometry adjusted gate-bulk overlap capacitance.
- *LENGTH* is the channel length.
- *LD* is the lateral diffusion.

Bulk Junction Charges

This table shows relationship between the bulk-drain bottom junction charge Q_{bottom} and the junction voltage, V_{db} . As applicable, model parameters are first adjusted for temperature.

Applicable Range of V_{db} Values	Corresponding Q_{bottom} Equation
$V_{db} < FC * PB$	$Q_{bottom} = \frac{CBD_d * PB * \left(1 - \left(1 - \frac{V_{db}}{PB}\right)^{1 - MJ}\right)}{1 - MJ} \text{ if } CBD > 0.$ $Q_{bottom} = \frac{CJ_d * AD * PB * \left(1 - \left(1 - \frac{V_{db}}{PB}\right)^{1 - MJ}\right)}{1 - MJ} \text{ otherwise.}$
$V_{db} \geq FC * PB$	$Q_{bottom} = CBD_d * \left(F1 + \frac{F3 * (V_{db} - FC * PB) + \frac{MJ * (V_{db}^2 - (FC * PB)^2)}{2 * PB}}{F2} \right) \text{ if } CBD_d > 0.$ $Q_{bottom} = CJ_d * AD * \left(F1 + \frac{F3 * (V_{db} - FC * PB) + \frac{MJ * (V_{db}^2 - (FC * PB)^2)}{2 * PB}}{F2} \right)$ <p>otherwise.</p>

Where:

- *PB* is the bulk junction potential.
- *FC* is the capacitance coefficient.

- CBD_d is the geometry-adjusted zero-bias bulk-drain capacitance.
- CJ_d is the geometry-adjusted bottom capacitance per junction area.
- AD is the drain area.
- MJ is the bottom grading coefficient.
- $$F1 = \frac{PB * (1 - (1 - FC)^{1 - MJ})}{1 - MJ}$$
- $F2 = (1 - FC)^{1 + MJ}$
- $F3 = 1 - FC * (1 + MJ)$

To calculate the bulk-source bottom junction charge, the block substitutes variables in the equations in the preceding table. The block substitutes:

- V_{sb} replaces V_{db} .
- AS for AD
- CBS_d for CBD_d

This table shows relationship between the bulk-drain sidewall junction charge $Q_{sidewall}$ and the junction voltage V_{db} . As applicable, model parameters are first adjusted for temperature.

Applicable Range of V_{db} Values	Corresponding $Q_{sidewall}$ Equation
$V_{db} < FC * PB$	$Q_{sidewall} = \frac{CJ_{SW_d} * PD * PB * \left(1 - \left(1 - \frac{V_{db}}{PB}\right)^{1 - MJ_{SW}}\right)}{1 - MJ_{SW}}$
$V_{db} \geq FC * PB$	$Q_{sidewall} = CJ_{SW_d} * PD * \left(F1 + \frac{F3 * (V_{db} - FC * PB) + \frac{MJ_{SW} * (V_{db}^2 - (FC * PB)^2)}{2 * PB}}{F2} \right)$

Where:

- CJ_{SW_d} is the geometry adjusted sidewall capacitance per junction perimeter.
- PD is the drain perimeter.
- MJ_{SW} is the side grading coefficient.
- $$F1 = \frac{PB * (1 - (1 - FC)^{1 - MJ_{SW}})}{1 - MJ_{SW}}$$
- $F2 = (1 - FC)^{1 + MJ_{SW}}$
- $F3 = 1 - FC * (1 + MJ_{SW})$

To calculate the bulk-source sidewall junction charge and the sidewall junction voltage, the block substitutes variables in the equations in the preceding table. The block substitutes:

- V_{sb} replaces V_{db} .

- PS for PD

Capacitance Model

The SPICE PMOS block allows you to model the transistor capacitance model in three different ways:

- No intrinsic capacitance model
- “Meyer Gate Capacitance Model” on page 1-1808
- “Charge Conservation Capacitance Model” on page 1-1809

Meyer Gate Capacitance Model

This table shows the relationship between the operational regions of the transistor and the gate-bulk, gate-drain, and gate-source capacitances.

Operational region	Gate-Bulk, C_{gb} , Gate-Drain, C_{gd} , and Gate-Source, C_{gs} , Equations	
Accumulation region, $V_{gb} < V_{FB}$	$C_{gb} = C_{oxt}$ $C_{gd} = 0$ $C_{gs} = 0$	
Depletion region, $V_{gs} < V_{TH}$	$C_{gb} = \frac{C_{oxt}}{\sqrt{1 + \frac{4}{GAMMA^2} * (V_{gb} - V_{FB})}}$ $C_{gd} = 0$ $C_{gs} = 0$	
Saturation region, $V_{gs} - V_{TH} < V_{ds}$	if $V_{ds} < V_{satmin}$ then:	if $V_{ds} \geq V_{satmin}$ then:
	$C_{gb} = 0$ $C_{gd} = \frac{2}{3}(C_{oxt} - C_{gb}) \left(1 - \frac{(V_{satmin})^2}{(2V_{satmin} - V_{ds})^2} \right)$ $C_{gs} = \frac{2}{3}(C_{oxt} - C_{gb}) \left(1 - \frac{(V_{satmin} - V_{ds})^2}{(2V_{satmin} - V_{ds})^2} \right)$	$C_{gb} = 0$ $C_{gd} = 0$ $C_{gs} = \frac{2}{3}(C_{oxt} - C_{gb})$
Linear region, $V_{gs} - V_{TH} > V_{ds}$	$C_{gb} = 0$ $C_{gd} = \frac{2}{3}(C_{oxt} - C_{gb}) * \left(1 - \frac{(V_{gs} - V_{TH})^2}{(2 * (V_{gs} - V_{TH}) - V_{ds})^2} \right)$ $C_{gs} = \frac{2}{3}(C_{oxt} - C_{gb}) * \left(1 - \frac{(V_{gs} - V_{TH} - V_{ds})^2}{(2 * (V_{gs} - V_{TH}) - V_{ds})^2} \right)$	

where:

- $C_{oxt} = WIDTH * (LENGTH - 2 * LD) * COX * AREA * SCALE$
- $V_{FB} = VBI * MTYPE - PHI$ is the flat-band voltage.
- V_{satmin} is the minimum saturation voltage. It is a predefined parameter equal to 1 V.

These equations are continuous between the depletion region and the accumulation region, and discontinuous between the depletion and the inversion region. Other SPICE tools apply smoothing functions between the inversion and depletion regions.

$$C_{gb} = \frac{WIDTH * LENGTH * COX}{\sqrt{\left(1 + \frac{4}{GAMMA^2} * (V_{TH} - V_{bs} - V_{FB})\right)^m}} * smoothing$$

$$smoothing = \frac{1}{\left(1 + \frac{4}{GAMMA^2} * (V_{gs} - V_{TH})\right)^m}$$

where m is a predefined smoothing constant.

Charge Conservation Capacitance Model

This table shows the relationship between the operational regions of the transistor and the gate, bulk, channel, drain, and source charges for a level 1 MOS.

Operational region	Level-1 Charges Equations
Accumulation region, $V_{gb} < V_{FB}$	$Q_g = Cox t * (V_{gb} - V_{FB})$ $Q_b = -Cox t * (V_{gb} - V_{FB})$ $Q_c = 0$ $Q_d = 0$ $Q_s = Q_c - Q_d$
Depletion region, $V_{gs} < V_{TH}$	$Q_g = -0.5 * Cox t * GAMMA^2 * \left(1 - \sqrt{1 + \frac{4}{GAMMA^2} * (V_{gb} - V_{FB})}\right)$ $Q_b = 0.5 * Cox t * GAMMA^2 * \left(1 - \sqrt{1 + \frac{4}{GAMMA^2} * (V_{gb} - V_{FB})}\right)$ $Q_c = 0$ $Q_d = 0$ $Q_s = Q_c - Q_d$
Saturation region, $V_{gs} - V_{TH} < V_{ds}$	$Q_g = Cox t * \left(V_{gs} - V_{FB} - PHI - \frac{V_{gs} - V_{TH}}{3}\right)$ $Q_b = -Cox t * (V_{TH} - V_{FB} - PHI)$ $Q_c = -Cox t * \left(V_{gs} - V_{TH} - \frac{V_{gs} - V_{TH}}{3}\right)$ $Q_d = 0$ $Q_s = Q_c - Q_d$

Operational region	Level-1 Charges Equations
Linear region, $V_{gs} - V_{TH} > V_{ds}$	$Q_g = Cox_t * \left(V_{gs} - V_{FB} - PHI - \frac{V_{ds}}{2} + \frac{V_{ds}^2}{12(V_{gs} - V_{TH} - 0.5V_{ds})} \right)$ $Q_b = -Cox_t * (V_{TH} - V_{FB} - PHI)$ $Q_c = -Cox_t * \left(V_{gs} - V_{TH} - \frac{V_{ds}}{2} + \frac{V_{ds}^2}{12(V_{gs} - V_{TH} - 0.5V_{ds})} \right)$ $Q_d = -Cox_t * \left(\frac{V_{gs} - V_{TH}}{2} - \frac{3V_{ds}}{4} + \frac{V_{ds}^2}{8(V_{gs} - V_{TH} - 0.5V_{ds})} \right)$ $Q_s = Q_c - Q_d$

where:

- Q_g is the gate charge.
- Q_b is the bulk charge.
- Q_d is the drain charge.
- Q_s is the source charge.
- $Q_c = -(Q_g + Q_b) = Q_d + Q_s$ is the charge in channel. Q_c needs to be partitioned between Q_d and Q_s .

This table shows the relationship between the operational regions of the transistor and the gate, bulk, channel, drain, and source charges for a level-3 MOS.

Operational region	Level-3 Charges Equations
Accumulation region, $V_{gb} < V_{FB}$	$Q_g = Cox_t * (V_{gb} - V_{FB}) - SF_1 + SF_2$ $Q_b = -Cox_t * (V_{gb} - V_{FB}) - SF_1 + SF_2$ $Q_c = 0$ $Q_d = 0$ $Q_s = Q_c - Q_d$
Depletion region, $V_{gs} < V_{TH}$	$Q_g = -0.5 * Cox_t * GAMMA^2 * \left(1 - \sqrt{1 + \frac{4}{GAMMA^2} * (V_{gb} - V_{FB})} \right) - SF_1 + SF_2$ $Q_b = 0.5 * Cox_t * GAMMA^2 * \left(1 - \sqrt{1 + \frac{4}{GAMMA^2} * (V_{gb} - V_{FB})} \right) + SF_1 - SF_2$ $Q_c = 0$ $Q_d = 0$ $Q_s = Q_c - Q_d$

Operational region	Level-3 Charges Equations
Saturation region, $V_{gs} - V_{TH} < V_{ds}$	$Q_g = Cox_t * \left(V_{gs} - V_{FB} - PHI + ETA * V_{dsat} - \frac{V_{dsat}}{2} + \frac{1 + F_B}{12 * F_i} * V_{dsat}^2 \right)$ $Q_b = -Cox_t * \left(V_{TH} - V_{FB} - PHI + ETA * V_{dsat} - \frac{F_b}{2} * V_{ds} - \frac{F_B * (1 + F_B)}{12 * F_i} * V_{dsat}^2 \right)$ $Q_c = -Cox_t * \left(V_{gs} - V_{TH} - \frac{1 + F_B}{2} * V_{dsat} + \frac{(1 + F_B)^2}{12 * F_i} * V_{dsat}^2 \right)$ $Q_d = 0$ $Q_s = Q_c - Q_d$
Linear region, $V_{gs} - V_{TH} > V_{ds}$	$Q_g = Cox_t * \left(V_{gs} - V_{FB} - PHI + ETA * V_{ds} - \frac{V_{ds}}{2} + \frac{1 + F_B}{12 * F_i} * V_{ds}^2 \right)$ $Q_b = -Cox_t * \left(V_{TH} - V_{FB} - PHI + ETA * V_{ds} + \frac{F_B}{2} * V_{ds} - \frac{F_B * (1 + F_B)}{12 * F_i} * V_{ds}^2 \right)$ $Q_c = -Cox_t * \left(V_{gs} - V_{TH} - \frac{1 + F_B}{2} * V_{ds} + \frac{(1 + F_B)^2}{12 * F_i} * V_{ds}^2 \right)$ $Q_d = -Cox_t * \left(\frac{V_{gs} - V_{TH}}{2} - \frac{3(1 + F_B)}{2} * V_{ds} + \frac{(1 + F_B)^2}{8 * F_i} * V_{ds}^2 \right)$ $Q_s = Q_c - Q_d$

where:

- V_{dsat} is the saturation voltage
- F_B is the body effect coefficient
- ETA is the drain-source voltage threshold coefficient
- $F_i = V_{gs} - V_{TH} - \frac{1 + F_B}{2} * V_{ds}$
- $SF_1 = -0.5 * Cox_t * GAMMA^2 * \left(1 - \left(1 + \frac{4}{GAMMA^2} * 2(V_{TH} - V_{bs} - V_{FB}) \right)^{0.5} \right)$ and
 $SF_2 = Cox_t * (V_{TH} - V_{FB} - PHI)$ are smoothing factors between depletion and accumulation regions to help with convergence.

Temperature Dependence

The transconductance as a function of the transistor temperature is

$$KP(T) = \frac{KP_d}{\left(\frac{T}{T_{meas}} \right)^{3/2}}$$

Where:

- KP_d is the geometry-adjusted transconductance.
- T is the transistor temperature. For more information, see “Transistor Temperature” on page 1-1795.

- T_{meas} is the parameter extraction temperature.

The surface potential as a function of the transistor temperature is

$$PHI(T) = \frac{T}{T_{meas}} \left(PHI + \frac{kT_{meas}}{q} \left(\log \left(\frac{T_{meas}}{300.15} \right)^3 + \frac{q}{k} \left(\frac{1.115}{300.15} - \frac{EG_{T_{meas}}}{T_{meas}} \right) \right) \right) - \frac{kT}{q} \left(\log \left(\frac{T}{300.15} \right)^3 + \frac{q}{k} \left(\frac{1.115}{300.15} - \frac{EG_T}{T} \right) \right)$$

Where:

- PHI is the surface potential.
- k is the Boltzmann constant.
- q is the elementary charge on an electron, 1.6021918e-19 C.
- EG is the activation energy, such that:
 - $EG_{T_{meas}} = 1.16eV - (7.02e - 4 * T_{meas}^2) / (T_{meas} + 1108)$
 - $EG_T = 1.16eV - (7.02e - 4 * T^2) / (T + 1108)$

The built-in voltage as a function of the transistor temperature is

$$VBI(T) = VTO + MTYPE * \left(\frac{PHI(T) - PHI}{2} - GAMMA \sqrt{PHI} \right) + \frac{EG_{T_{meas}} - EG_T}{2}$$

Where:

- VBI is the built-in voltage.
- VTO is the threshold voltage. VTO depends on the value that you specify for the **Threshold voltage, VTO** parameter in the **DC currents** settings. If you specify a numerical value, VTO is evaluated as that value. If you specify a nonnumerical value (NAN) and you specify numerical values for both the **Oxide thickness, TOX** and **Substrate doping, NSUB** parameters in the **Process** settings, then VTO is evaluated as $\Phi - 3.25 + EG_{T_{meas}}/2 + MTYPE * PHI/2 - NSS * q * TOX / (3.9 * \epsilon_0) + MTYPE * (GAMMA * \sqrt{PHI} + PHI)$

Where:

- Φ depends on the gate type, which you specify using the **Gate type, TPG** parameter. If you specify Aluminum (\emptyset), $\Phi = 3.2$. Otherwise, $\Phi = 3.25 + EG_{T_{meas}}/2 - MTYPE * TPG * EG_{T_{meas}}/2$, Where:
 - $MTYPE$ is the transistor type. For an P-channel MOSFET, $MTYPE = -1$.
 - TPG represents the gate type and also depends on the option that you specify for the **Gate type, TPG** parameter in the **Process** settings. If you specify
 - Opposite of substrate (1) — $TPG = 1$
 - Same as substrate (-1) — $TPG = -1$

- NSS is the surface state density.
- TOX is the oxide thickness.
- ϵ_0 is the permittivity of free space.
- $GAMMA$ is the bulk threshold. $GAMMA$ depends on the value that you specify for the **Bulk threshold, GAMMA** parameter in the **DC currents** settings. If you specify a numerical value, $GAMMA$ is evaluated as that value. If you specify a nonnumerical value (NAN) and you specify numerical values for both the **Oxide thickness, TOX** and **Substrate doping, NSUB** parameters in the **Process** settings, then VTO is evaluated as $TOX * \sqrt{2 * 11.7 * \epsilon_0 * q * NSUB} / (3.9 * \epsilon_0)$, where $NSUB$ is the substrate doping.

The bulk saturation current as a function of the transistor temperature is

$$IS(T) = IS_d * e^{\frac{-qEG_T}{ND * kT}} + \frac{qEG_{T_{meas}}}{ND * kT_{meas}}$$

Where:

- IS_d is the geometry-adjusted bulk saturation current.
- ND is the emission coefficient.

The bulk junction saturation current density as a function of the transistor temperature is

$$JS(T) = JS_d * e^{\frac{-qEG_T}{ND * kT}} + \frac{qEG_{T_{meas}}}{ND * kT_{meas}}$$

Where:

- JS_d is the geometry-adjusted bulk junction saturation current density.

The bulk junction potential as a function of the transistor temperature is

$$PB(T) = \frac{PB + \frac{kT_{meas}}{q} \left(\log \left(\frac{T_{meas}}{300.15} \right)^3 + \frac{q}{k} \left(\frac{1.115}{300.15} - \frac{EG_{T_{meas}}}{T} \right) \right)}{T_{meas}/T} - \frac{kT}{q} \left(\log \left(\frac{T}{300.15} \right)^3 + \frac{q}{k} \left(\frac{1.115}{300.15} - \frac{EG_T}{T} \right) \right)$$

Where:

- PB is the bulk junction potential.

The bulk-drain junction capacitance as a function of the transistor temperature is

$$CBD(T) = CBD_d \frac{pbo + MJ * (4 * 10^4 * (T - 300.15) * pbo - (PB(T) - pbo))}{pbo + MJ * (4 * 10^4 * (T_{meas} - 300.15) * pbo - (PB - pbo))}$$

Where:

- CBD_d is the geometry adjusted zero-bias bulk-drain capacitance.
- MJ is the bottom grading coefficient.

$$pbo = \frac{PB + \frac{kT_{meas}}{q} \left(\log \left(\frac{T_{meas}}{300.15} \right)^3 + \frac{q}{k} \left(\frac{1.115}{300.15} - \frac{EGT_{meas}}{T} \right) \right)}{T_{meas}/300.15}$$

The block uses the $CBD(T)$ equation to calculate:

- The bulk-source junction capacitance by substituting CBS_d , the geometry-adjusted zero-bias bulk-source capacitance, for CBD_d .
- The bottom junction capacitance by substituting CJ_d , the geometry-adjusted bottom capacitance per junction area for CBD_d .

The relationship between the sidewall junction capacitance $CJSW$ and the transistor temperature, T , is

$$CJSW(T) = CJSW_d \frac{pbo + MJSW * (4 * 10^4 * (T - 300.15) * pbo - (PB(T) - pbo))}{pbo + MJSW * (4 * 10^4 * (T_{meas} - 300.15) * pbo - (PB - pbo))}$$

Where:

- $CJSW_d$ is the side geometry-adjusted sidewall capacitance per junction perimeter.
- $MJSW$ is the side grading coefficient.

Assumptions and Limitations

- The block does not support noise analysis.
- The block applies initial conditions across junction capacitors and not across the block ports.

Ports

Conserving

gx – Gate terminal

electrical

Electrical conserving port associated with the transistor gate terminal.

dx – Drain terminal

electrical

Electrical conserving port associated with the transistor drain terminal.

sx – Source terminal

electrical

Electrical conserving port associated with the transistor source terminal.

bx – Bulk terminal

electrical

Electrical conserving port associated with the transistor bulk terminal.

Parameters

Model Selection

MOS model — Drain current model

Level 1 MOS (default) | Level 3 MOS

MOSFET drain current model options:

- Level 1 MOS — Use the “Level 1 Drain Current Model” on page 1-1800. This is the default option.
- Level 3 MOS — Use the “Level 3 Drain Current Model” on page 1-1801.

Dependencies

The setting that you select for the **MOS model** affects the visibility of certain parameters in the **DC Currents** and **Process** settings.

Dimensions

Device area factor, AREA — Device area

1.0 (default) | positive scalar

Transistor area factor for scaling. The value must be greater than 0.

Number of parallel devices, SCALE — Number of parallel devices

1 (default) | positive integer

Number of parallel MOS instances that the block represents. This parameter multiplies the output current and device charge. The value must be greater than 0.

Length of channel, LENGTH — Source-to-drain channel length

1e-4 m (default) | positive scalar

Length of the channel between the source and drain.

Width of channel, WIDTH — Source-to-drain channel width

1e-4 m (default) | positive scalar

Width of the channel between the source and drain.

Area of drain, AD — Drain area

0 m² (default) | nonnegative scalar

Area of the transistor drain diffusion. The value must be greater than or equal to 0.

Area of source, AS — Source area

0 m² (default) | nonnegative scalar

Area of the transistor source diffusion. The value must be greater than or equal to 0.

Perimeter of drain, PD — Drain perimeter

0 m (default) | nonnegative scalar

Perimeter of the transistor drain diffusion. The value must be greater than or equal to 0.

Perimeter of source, PS — Source perimeter 0 m (default) | nonnegative scalar

Perimeter of the transistor source diffusion. The value must be greater than or equal to 0.

Resistors**Number of drain squares, NRD — Number of drain diffusion resistance squares** 0 (default) | nonnegative scalar

Number of squares of resistance that make up the transistor drain diffusion. The value must be greater than or equal to 0. The block only uses this parameter value if you do not specify one or both of the **Drain resistance, RD** and **Source resistance, RS** parameter values, as described in “Parameters Calculations” on page 1-1796.

Number of source squares, NRS — Number of transistor source diffusion squares of resistance 0 (default) | nonnegative scalar

Number of squares of resistance that make up the transistor source diffusion. The value must be greater than or equal to 0. The block only uses this parameter value if you do not specify one or both of the **Drain resistance, RD** and **Source resistance, RS** parameter values, as described in “Parameters Calculations” on page 1-1796.

Drain resistance, RD — Series resistance 0.01 Ohm (default) | nonnegative scalar

Transistor drain resistance. The value must be greater than or equal to 0.

Source resistance, RS — Series resistance 0.0001 Ohm (default) | nonnegative scalar

Transistor source resistance. The value must be greater than or equal to 0.

Sheet resistance, RSH — Per square resistance 0 Ohm (default) | nonnegative scalar

Resistance per square of the transistor source and drain. Check “Parameters Calculations” on page 1-1796 to see when the block uses this parameter. The value must be greater than or equal to 0.

DC Currents**Threshold voltage, VT0 — Threshold voltage** 0 V (default) | scalar

Source-gate voltage above which the transistor produces a nonzero drain current. If you assign this parameter a value of NaN, the block calculates the value from the specified values of the **Oxide thickness, TOX** and **Substrate doping, NSUB** parameters. For more information about this calculation, see “Temperature Dependence” on page 1-1811 .

Transconductance, KP — Transconductance $2\text{e-}5\text{ A/V}^2$ (default) | nonnegative scalar

Derivative of drain current with respect to gate voltage. The value must be greater than or equal to 0. If you assign this parameter a value of NaN, the block calculates the value from the specified values of

the **Oxide thickness, TOX** and **Substrate doping, NSUB** parameters. For more information about this calculation, see “Level 1 Drain Current Model” on page 1-1800 or “Level 3 Drain Current Model” on page 1-1801 as appropriate for the selected value of the **MOS model** parameter.

Bulk threshold, GAMMA — Bulk threshold

0 V (default) | nonnegative scalar

Body effect parameter, which relates the threshold voltage, VTH, to the body bias, VBS, as described in “Level 1 Drain Current Model” on page 1-1800 and “Level 3 Drain Current Model” on page 1-1801. The value must be greater than or equal to 0. If you assign this parameter a value of NaN, the block calculates the value from the specified values of the **Oxide thickness, TOX** and **Substrate doping, NSUB** parameters. For more information about this calculation, see “Level 1 Drain Current Model” on page 1-1800 or “Level 3 Drain Current Model” on page 1-1801 as appropriate for the selected value of the **MOS model** parameter.

Surface potential, PHI — Surface potential

0.6 V (default) | nonnegative scalar

Twice the voltage at which the surface electron concentration becomes equal to the intrinsic concentration and the device transitions between depletion and inversion conditions. The value must be greater than or equal to 0. If you assign this parameter a value of NaN, the block calculates the value from the specified values of the **Oxide thickness, TOX** and **Substrate doping, NSUB** parameters. For more information about this calculation, see “Level 1 Drain Current Model” on page 1-1800 or “Level 3 Drain Current Model” on page 1-1801 as appropriate for the selected value of the **MOS model** parameter.

Channel modulation, LAMBDA — Channel-length modulation

0 1/V (default) | scalar

Channel-length modulation.

Dependencies

This parameter is only visible when you select Level 1 MOS for the **MOS model** parameter in the **Model Selection** settings.

Bulk saturation current, IS — Bulk saturation current magnitude

1e-14 A (default) | nonnegative scalar

Magnitude of the current that the junction approaches asymptotically for very large reverse bias levels. The value must be greater than or equal to 0.

Emission coefficient, N — Emission coefficient

1 (default) | nonnegative scalar

Transistor emission coefficient or ideality factor. The value must be greater than 0.

Bulk jct sat current density, JS — Bulk junction saturation current density

0 A/m² (default) | nonnegative scalar

Magnitude of the current per unit area that the junction approaches asymptotically for very large reverse bias levels. The value must be greater than or equal to 0.

Width effect on threshold, DELTA — Width factor

0 (default) | scalar

Factor that controls the effect of transistor width on threshold voltage.

Dependencies

This parameter is only visible when you select Level 3 MOS for the **MOS model** parameter in the **Model Selection** settings.

Max carrier drift velocity, VMAX — Maximum drift velocity

0 m/s (default) | scalar

Maximum drift velocity of the carriers.

Dependencies

This parameter is only visible when you select Level 3 MOS for the **MOS model** parameter in the **Model Selection** settings.

Fast surface state density, NFS — Fast surface state density

0 1/cm² (default) | scalar

Fast surface state density adjusts the drain current for the mobility reduction caused by the gate voltage.

Dependencies

This parameter is only visible when you select Level 3 MOS for the **MOS model** parameter in the **Model Selection** settings.

Vds dependence threshold volt, ETA — Drain-source voltage threshold

0 (default) | scalar

Coefficient that controls how the drain voltage affects the mobility in the drain current calculation.

Dependencies

This parameter is only visible when you select Level 3 MOS for the **MOS model** parameter in the **Model Selection** settings.

Vgs dependence on mobility, THETA — Mobility dependence coefficient

0 1/V (default) | scalar

Coefficient that controls how the gate voltage affects the mobility in the drain current calculation.

Dependencies

This parameter is only visible when you select Level 3 MOS for the **MOS model** parameter in the **Model Selection** settings.

Mobility modulation, KAPPA — Mobility modulation coefficient

0.2 (default) | scalar

Coefficient of channel-length modulation for the level 3 MOS model.

Dependencies

This parameter is only visible when you select Level 3 MOS for the **MOS model** parameter in the **Model Selection** settings.

C-V**Model gate capacitance (CGS, CGD, CGB) – Gate capacitance model**

No intrinsic capacitance (default) | Meyer gate capacitances | Charge conservation capacitances

Options for modeling the gate capacitance:

- No intrinsic capacitance — Do not include gate capacitance in the model.
- Meyer gate capacitances — Model capacitances using Meyer gate capacitances.
- Charge conservation capacitances — Model capacitances using charge conservation capacitances.

Model gate overlap capacitance (CGSO, CGDO, CGB0) – Gate overlap model

No (default) | Yes

Options for modeling the gate overlap capacitance:

- No — Do not include gate overlap capacitance in the model.
- Yes — Specify the gate-source, gate-drain, and gate-bulk capacitances.

Dependencies

Selecting Yes exposes related parameters.

G-S overlap capacitance, CGSO — Gate-source overlap capacitance

0 F/m (default) | scalar | 0 or $\geq 1e-18$

Gate-source capacitance due to lateral diffusion of the source. The value must be equal to 0 or greater than or equal to *Cmin*. *Cmin* is a built-in model constant whose value is $1e-18$.

Dependencies

This parameter is only visible when you select Yes for the **Model gate overlap capacitance (CGSO, CGDO, CGB0)** parameter.

G-D overlap capacitance, CGDO — Gate-drain overlap capacitance

0 F/m (default) | scalar | 0 or $\geq 1e-18$

Gate-drain capacitance due to lateral diffusion of the drain. The value must be equal to 0 or greater than or equal to *Cmin*. *Cmin* is a built-in model constant whose value is $1e-18$.

Dependencies

This parameter is only visible when you select Yes for the **Model gate overlap capacitance (CGSO, CGDO, CGB0)** parameter.

G-B overlap capacitance, CGB0 — Gate-bulk overlap capacitance

0 F/m (default) | scalar | 0 or $\geq 1e-18$

Gate-bulk capacitance due to gate extending beyond the channel width. The value must be equal to 0 or greater than or equal to *Cmin*. *Cmin* is a built-in model constant whose value is $1e-18$.

Dependencies

This parameter is only visible when you select Yes for the **Model gate overlap capacitance (CGSO, CGDO, CGBO)** parameter.

Model junction capacitance (CBD, CBS) — Junction capacitance model

No (default) | Yes

Options for modeling the junction capacitance:

- No — Do not include junction capacitance in the model.
- Yes — Specify zero-bias junction capacitance, junction potential, grading coefficient, forward-bias depletion and capacitance coefficient.

Dependencies

Selecting Yes exposes related parameters.

Zero-bias BD capacitance, CBD — Zero-bias junction capacitance

0 F (default) | 0 or $\geq 1e-18$

Capacitance between the bulk and the drain. The value must be equal to 0 or greater than or equal to *Cmin*. *Cmin* is a built-in model constant whose value is $1e-18$.

Dependencies

This parameter is only visible when you select Yes for the **Model junction capacitance (CBD, CBS)** parameter.

Zero-bias BS capacitance, CBS — Zero-bias bulk-source capacitance

0 F (default) | scalar | 0 or $\geq 1e-18$

Capacitance between the bulk and the source. The value must be equal to 0 or greater than or equal to *Cmin*. *Cmin* is a built-in model constant whose value is $1e-18$.

Dependencies

This parameter is only visible when you select Yes for the **Model junction capacitance (CBD, CBS)** parameter.

Bulk junction potential, PB — Bulk junction potential

0.8 V (default) | scalar | 0 or ≥ 0.01

Potential across the bulk junction. This parameter is only visible when you select Yes for the **Model junction capacitance (CBD, CBS)** parameter. The value must be equal to 0 or greater than or equal to *VJmin*. *VJmin* is a built-in model constant whose value is 0.01.

Dependencies

This parameter is only visible when you select Yes for the **Model junction capacitance (CBD, CBS)** parameter.

Bottom junction cap per area, CJ — Zero-bias bulk junction bottom capacitance per junction area

0 F/m² (default) | scalar | 0 or $\geq 1e-18$

Zero-bias bulk junction bottom capacitance per junction area. The value must be equal to 0 or greater than or equal to C_{min} . C_{min} is a built-in model constant whose value is $1e-18$.

Dependencies

This parameter is only visible when you select Yes for the **Model junction capacitance (CBD, CBS)** parameter.

Bottom grading coefficient, MJ – Bottom grading coefficient

0.5 (default) | scalar | $0 < 0.9$

Transistor bottom grading coefficient. The value must be equal to 0 or less than MG_{max} . MG_{max} is a built-in model constant whose value is 0.9.

Dependencies

This parameter is only visible when you select Yes for the **Model junction capacitance (CBD, CBS)** parameter.

Side jct cap/area of jct perimeter, CJSW – Zero-bias bulk junction sidewall capacitance per junction perimeter

0 F/m (default) | scalar | $0 \text{ or } \geq 1e-18$

Zero-bias bulk junction sidewall capacitance per junction perimeter. The value must be equal to 0 or greater than or equal to C_{min} . C_{min} is a built-in model constant whose value is $1e-18$.

Dependencies

This parameter is only visible when you select Yes for the **Model junction capacitance (CBD, CBS)** parameter.

Side grading coefficient, MJSW – Sidewall grading coefficient

0.5 (default) | scalar | $0 < MJSW < 0.9$

Transistor sidewall grading coefficient. The value must be equal to 0 or less than MG_{max} . MG_{max} is a built-in model constant whose value is 0.9.

Dependencies

This parameter is only visible when you select Yes for the **Model junction capacitance (CBD, CBS)** parameter.

Capacitance coefficient, FC – Capacitance coefficient

0.5 (default) | $0 \text{ or } \leq 0.95$ | scalar

Fitting coefficient that quantifies the decrease of the depletion capacitance with applied voltage. The value must be equal to 0 or less than or equal to FC_{max} . FC_{max} is a built-in model constant whose value is 0.95.

Dependencies

This parameter is only visible when you select Yes for the **Model junction capacitance (CBD, CBS)** parameter.

Specify initial condition – Initial condition model

No (default) | Yes

Options for specifying initial conditions:

- No — Do not specify an initial condition for the model.
- Yes — Specify the initial transistor voltage.

Note The block applies the initial transistor voltage across the junction capacitors and not across the ports.

Dependencies

To enable this parameter, set either:

- **Model gate capacitance (CGS, CGD, CGB)** to No intrinsic capacitance and either or both **Model gate overlap capacitance (CGSO, CGDO, CGBO)** and **Model junction capacitance (CBD, CBS)** to Yes.
- **Model gate capacitance (CGS, CGD, CGB)** to Meyer gate capacitances or Charge conservation capacitances.

Initial condition voltage, ICVDS — Initial voltage

0 V (default) | scalar

Drain-source voltage at the start of the simulation.

Dependencies

This parameter is only visible when you select Yes for the **Specify initial condition** parameter.

Initial condition voltage, ICVGS — Initial voltage

0 V (default) | scalar

Gate-source voltage at the start of the simulation.

Dependencies

This parameter is only visible when you select Yes for the **Specify initial condition** parameter.

Initial condition voltage, ICVBS — Initial voltage

0 V (default) | scalar

Bulk-source voltage at the start of the simulation.

Dependencies

This parameter is only visible when you select Yes for the **Specify initial condition** parameter.

Process

Oxide thickness, TOX — Gate oxide thickness

1e-7 m (default) | nonnegative scalar

Thickness of the gate oxide. The value must be greater than or equal to 0.

Lateral diffusion, LD — Length of lateral diffusion

0 m (default) | scalar

Length of lateral diffusion.

Surface mobility, U0 — Zero-bias surface mobility coefficient600 cm²/s/V (default)

Zero-bias surface mobility coefficient.

Substrate doping, NSUB — Substrate dopingNaN 1/cm³ (default) | scalar $\geq 1.45e10$

Substrate doping. The value must be greater than or equal to 1.45e10 (the carrier concentration of intrinsic silicon).

Gate type, TPG — Gate type

Opposite of substrate (1) (default) | Same as substrate (-1) | Aluminum (0)

MOSFET gate materials (as compared to the substrate):

- **Opposite of substrate** — The gate material is the opposite of the substrate. This means that TPG = 1 in the device equations. This is the default option.
- **Same as substrate** — The gate material is the same as the substrate. This means that TPG = -1 in the device equations.
- **Aluminum** — The gate material is aluminum. This means that TPG = 0 in the device equations.

Surface state density, NSS — Surface state densityNaN 1/cm² (default) | scalar

Surface state density.

Junction depth, XJ — Junction depth

0m (default)

Junction depth.

DependenciesThis parameter is only visible when you select Level 3 MOS for the **MOS model** parameter in the **Model Selection** settings.**Temperature****Model temperature dependence using — Temperature dependence model**

Device temperature (default) | Fixed temperature

Select one of these options for modeling the transistor temperature dependence:

- **Device temperature** — Use the device temperature to model temperature dependence.
- **Fixed temperature** — Use a temperature that is independent of the circuit temperature to model temperature dependence.

For more information, see “Temperature Dependence” on page 1-1811.

DependenciesSelecting Device temperature exposes the **Offset local circuit temperature, TOFFSET** parameter. Selecting Fixed temperature exposes the **Fixed circuit temperature, TFIXED** parameter.

Fixed circuit temperature, TFIXED — Fixed circuit temperature

300.15 K (default) | positive scalar

Transistor simulation temperature. The value must be greater than 0 K.

Dependencies

This parameter is only visible when you select Fixed temperature for the **Model temperature dependence using** parameter.

Parameter extraction temperature, TMEAS — Parameter extraction temperature

300.15 K (default) | positive scalar

The temperature at which the transistor parameters are measured. The value must be greater than 0 K.

Offset local circuit temperature, TOFFSET — Local circuit temperature offset

0 K (default) | scalar

Amount by which the transistor temperature differs from the circuit temperature.

Dependencies

This parameter is only visible when you select Device temperature for the **Model temperature dependence using** parameter.

References

- [1] G. Massobrio and P. Antognetti. *Semiconductor Device Modeling with SPICE*. 2nd Edition. New York: McGraw-Hill, 1993.
- [2] Ping Yang, et al. 'An Investigation of the Charge Conservation Problem for MOSFET Circuit Simulation'. *IEEE Journal of Solid-State Circuits*, vol. 18, no. 1, Feb. 1983, pp. 128-38. DOI.org (Crossref), doi:10.1109/JSSC.1983.1051909.

Extended Capabilities**C/C++ Code Generation**

Generate C and C++ code using Simulink® Coder™.

See Also**Simscape Blocks**

Environment Parameters | SPICE NMOS

Functions

subcircuit2ssc

Topics

- "Additional Parameterization Workflows"
- "Converting a SPICE Netlist to Simscape Blocks"
- "Parameterize an Exponential Diode from SPICE Netlist"

Introduced in R2009a

SPICE PNP

SPICE-compatible Gummel-Poon PNP Transistor

Library: Simscape / Electrical / Additional Components / SPICE Semiconductors



Description

The SPICE PNP block represents a SPICE-compatible four-terminal Gummel-Poon PNP bipolar junction transistor. A capacitor connects the substrate port, **sx**, to the transistor base, **bx**. Therefore, the device is equivalent to a three-terminal transistor when you use the default value of 0 for the **C-S junction capacitance, CJS** parameter and connect the substrate port to any other port, including the emitter port, **ex**, or the collector port, **cx**.



SPICE, or Simulation Program with Integrated Circuit Emphasis, is a simulation tool for electronic circuits. You can convert some SPICE subcircuits into equivalent Simscape Electrical models using the Environment Parameters block and SPICE-compatible blocks from the “Additional Components” library. For more information, see `subcircuit2ssc`.

Equations

Variables for the SPICE PNP block equations include:

- Variables that you define by specifying parameters for the SPICE PNP block. The visibility of some of the parameters depends on the value that you set for other parameters. For more information, see “Parameters” on page 1-1834.
- Geometry-adjusted variables, which depend on several values that you specify using parameters for the SPICE PNP block. For more information, see “Geometry-Adjusted Variables” on page 1-1826.
- Temperature, T , which is 300.15 K by default. You can use a different value by specifying parameters for the SPICE PNP block or by specifying parameters for both the SPICE PNP block and an Environment Parameters block. For more information, see “Transistor Temperature” on page 1-1827.
- Temperature-dependent variables. For more information, see “Temperature Dependence” on page 1-1832.
- Minimal conductance, $GMIN$, which is $1e-12$ 1/Ohm by default. You can use a different value by specifying a parameter for an Environment Parameters block. For more information, see “Minimal Conduction” on page 1-1828.

Geometry-Adjusted Variables

Several variables in the equations for the SPICE PNP bipolar junction transistor model consider the geometry of the device that the block represents. These geometry-adjusted variables depend on

variables that you define by specifying SPICE PNP block parameters. The geometry-adjusted variables depend on these variables:

- *AREA* — Area of the device
- *SCALE* — Number of parallel connected devices
- The associated unadjusted variable

The table includes the geometry-adjusted variables and the defining equations.

Variable	Description	Equation
IS_d	Geometry-adjusted transport saturation current	$IS_d = IS * AREA * SCALE$
IKF_d	Geometry-adjusted forward knee current	$IKF_d = IKF * AREA * SCALE$
IS_d	Geometry-adjusted base-emitter leakage current	$ISE_d = ISE * AREA * SCALE$
IKR_d	Geometry-adjusted reverse knee current	$IKR_d = IKR * AREA * SCALE$
ISC_d	Geometry-adjusted base-collector leakage current	$ISC_d = ISC * AREA * SCALE$
IRB_d	Geometry-adjusted half base resistance current	$IRB_d = IRB * AREA * SCALE$
CJE_d	Geometry-adjusted base-emitter depletion capacitance	$CJE_d = CJE * AREA * SCALE$
ITF_d	Geometry-adjusted forward transit time coefficient	$ITF_d = ITF * AREA * SCALE$
CJC_d	Geometry-adjusted base-collector depletion capacitance	$CJC_d = CJC * AREA * SCALE$
CJS_d	Geometry-adjusted collector-substrate junction capacitance	$CJS_d = CJS * AREA * SCALE$
RB_d	Geometry-adjusted zero-bias base resistance	$RB_d = \frac{RB}{AREA * SCALE}$
RBM_d	Geometry-adjusted minimum base resistance	$RBM_d = \frac{RBM}{AREA * SCALE}$
RE_d	Geometry-adjusted emitter resistance	$RE_d = \frac{RE}{AREA * SCALE}$
RC_d	Geometry-adjusted collector resistance	$RC_d = \frac{RC}{AREA * SCALE}$

Transistor Temperature

You can use these options to define transistor temperature, *T*:

- Fixed temperature — The block uses a temperature that is independent from the circuit temperature when the **Model temperature dependence using** parameter in the **Temperature** settings of the SPICE PNP block is set to Fixed temperature. For this model, the block sets *T* equal to *TFIXED*.

- Device temperature — The block uses a temperature that depends on circuit temperature when the **Model temperature dependence using** parameter in the **Temperature** settings of the SPICE PNP block is set to Device temperature. For this model, the block defines temperature as

$$T = T_C + TOFFSET$$

Where:

- T_C is the circuit temperature.

If there is no Environment Parameters block in the circuit, T_C is equal to 300.15 K.

If there is an Environment Parameters block in the circuit, T_C is equal to the value that you specify for the **Temperature** parameter in the **SPICE** settings of the Environment Parameters block. The default value for the **Temperature** parameter is 300.15 K.

- $TOFFSET$ is the offset local circuit temperature.

Minimal Conduction

Minimal conductance, $GMIN$, has a default value of 1e-12 1/Ohm. To specify a different value:

- 1 If there is not an Environment Parameters block in the circuit, add one.
- 2 In the **SPICE** settings of the Environment Parameters block, specify the desired $GMIN$ value for the **GMIN** parameter.

Current-Voltage and Base Charge Model

The current-voltage relationships and base charge relationships for the transistor are described in terms of “Base-Emitter and Base-Collector Junction Currents” on page 1-1828, “Terminal Currents” on page 1-1829, and “Base Charge Model” on page 1-1830. As applicable, the model parameters are first adjusted for temperature.

Base-Emitter and Base-Collector Junction Currents

The base-emitter junction current depends on the emitter-base voltage, V_{EB} such that:

- When $V_{EB} > 80 * V_{TF}$:

$$I_{bef} = IS_d * \left(\left(\frac{V_{EB}}{V_{TF}} - 79 \right) * e^{80} - 1 \right) + G_{min} * V_{EB}$$

$$I_{bee} = ISE_d * \left((V_{EB} - 80 * V_{TF} + V_{TE}) * \frac{e^{(80 * V_{TF}/V_{TE})}}{V_{TE}} - 1 \right)$$

- When $V_{EB} \leq 80 * V_{TF}$:

$$I_{bef} = IS_d * \left(e^{(V_{EB}/V_{TF})} - 1 \right) + G_{min} * V_{EB}$$

$$I_{bee} = ISE_d * \left(e^{(V_{EB}/V_{TE})} - 1 \right)$$

The base-collector junction current depends on the collector-base voltage, V_{CB} , such that:

- When $V_{CB} > 80 * V_{TR}$:

$$I_{bcr} = IS_d * \left(\left(\frac{V_{CB}}{V_{TR}} - 79 \right) * e^{80} - 1 \right) + G_{min} * V_{CB}$$

$$I_{bcc} = ISC_d * \left((V_{CB} - 80 * V_{TR} + V_{TC}) * \frac{e^{(80 * V_{TR}/V_{TC})}}{V_{TC}} - 1 \right)$$

- When $V_{CB} \leq 80 * V_{TR}$:

$$I_{bcr} = ISC_d * (e^{(V_{CB}/V_{TR})} - 1) + G_{min} * V_{CB}$$

$$I_{bcc} = ISC_d * (e^{(V_{CB}/V_{TC})} - 1)$$

Where:

- V_{EB} is the emitter-base voltage.
- V_{CB} is the collector-base voltage.
- V_{TE} is the emitter thermal voltage, such that $V_{TE} = NE * k * T / q$.
- V_{TC} is the collector thermal voltage, such that $V_{TC} = NC * k * T / q$.
- V_{TF} is the forward thermal voltage, such that $V_{TF} = NF * k * T / q$.
- V_{TR} is the reverse thermal voltage, such that $V_{TR} = NR * k * T / q$.
- ISC_d is the geometry-adjusted base-collector leakage current.
- ISE_d is the geometry-adjusted base-emitter leakage current.
- NE is the base-emitter emission coefficient.
- NC is the base-collector emission coefficient.
- NF is the forward emission coefficient.
- NR is the reverse emission coefficient.
- q is the elementary charge on an electron.
- k is the Boltzmann constant.
- T is the transistor temperature. For more information, see “Transistor Temperature” on page 1-1827.
- G_{min} is the minimum conductance. For more information, see “Minimal Conduction” on page 1-1828.

Terminal Currents

The terminal currents are calculated as:

$$I_B = - \left(\frac{I_{bef}}{BF} + I_{bee} + \frac{I_{bcr}}{BR} + I_{bcc} \right)$$

$$I_C = - \left(\frac{I_{bef} - I_{bcr}}{q_b} - \frac{I_{bcr}}{BR} - I_{bcc} \right)$$

Where:

- I_B is the base terminal current.
- I_C is the collector terminal current.

- BF is the forward beta.
- BR is the reverse beta.

Base Charge Model

The base charge, q_b , is calculated using these equations:

$$q_b = \frac{q_1}{2} \left(1 + \sqrt{0.5 \left(\sqrt{(1 + 4q_2 - eps)^2 + eps^2} + 1 + 4q_2 - eps \right) + eps} \right)$$

$$q_1 = \left(1 - \frac{V_{CB}}{V_{AF}} - \frac{V_{EB}}{V_{AR}} \right)^{-1}$$

$$q_2 = \frac{I_{bef}}{IKF_d} + \frac{I_{bcr}}{IKR_d}$$

Where:

- q_b is the base charge.
- V_{AF} is the forward Early voltage.
- V_{AR} is the reverse Early voltage.
- IKF_d is the geometry-adjusted forward knee current.
- IKR_d is the geometry-adjusted reverse knee current.
- eps is 1e-4.

Base Resistance Model

You can use these options to model base resistance, r_{bb} :

- If you use the default value of infinity for the **Half base resistance cur, IRB** parameter, the block calculates the base resistance as

$$r_{bb} = RBM_d + \frac{RB_d - RBM_d}{q_b}$$

Where:

- r_{bb} is base resistance.
- RBM_d is the geometry-adjusted minimum base resistance.
- RB_d is the geometry-adjusted zero-bias base resistance.
- If you specify a finite value for the **Half base resistance cur, IRB** parameter, the block calculates the base resistance as

$$r_{bb} = RBM_d + 3 * (RB_d - RBM_d) * \left(\frac{\tan z - z}{z * \tan^2 z} \right)$$

Where

$$z = \frac{\sqrt{1 + 144I_B / (\pi^2 IRB_d)} - 1}{(24/\pi^2) \sqrt{I_B / IRB_d}}$$

Transit Charge Modulation Model

If you specify nonzero values for the **Coefficient of TF, XTF** parameter, the block models transit charge modulation by scaling the forward transit time as

$$TF_{\text{mod}} = \frac{TF * \left[1 + XTF * e^{V_{CB}/(1.44V_{TF})} \left(\frac{I_{EB}}{I_{EB} + ITF_d} \right)^2 \right]}{q_b}$$

Where ITF_d is the geometry-adjusted coefficient of the forward transit time.

Junction Charge Model

The block lets you model junction charge. The base-collector charge, Q_{bc} , and the base-emitter charge, Q_{be} , depend on an intermediate value, Q_{dep} . As applicable, the model parameters are first adjusted for temperature.

- For the internal base-emitter junctions

$$Q_{be} = TF_{\text{mod}} * I_{be} + Q_{dep}$$

- For the internal base-collector junctions

$$Q_{bc} = TR * I_{bc} + XCJC * Q_{dep}$$

- For the external base-collector junctions

$$Q_{b_{\text{ext}c}} = (1 - XCJC) * Q_{dep}$$

Q_{dep} depends on the junction voltage, V_{jct} (V_{BE} for the base-emitter junction and V_{BC} for the base-collector junction), as follows.

Applicable Range of V_{jct} Values	Corresponding Q_{dep} Equation
$V_{jct} < FC * VJ$	$Q_{dep} = C_{jct} * VJ * \frac{1 - (1 - V_{jct}/VJ)^{(1 - MJ)}}{1 - MJ}$
$V_{jct} \geq FC * VJ$	$Q_{dep} = C_{jct} * \left[F1 + \frac{F3 * (V_{jct} - FC * VJ) + \frac{MJ * [V_{jct}^2 - (FC * VJ)^2]}{2 * VJ}}{F2} \right]$

Where:

- FC is the capacitance coefficient.
- VJ is:
 - The base-emitter built-in potential, VJE , for the base-emitter junction.
 - The base-collector built-in potential, VJC , for the base-collector junction.
- MJ is:
 - The base-emitter exponential factor, MJE , for the base-emitter junction.
 - The base-collector exponential factor, MJC , for the base-collector junction.

- C_{jct} is:
 - The geometry-adjusted base-emitter depletion capacitance, CJE_d , for the base-emitter junction.
 - The geometry-adjusted base-collector depletion capacitance, CJC_d , for the base-collector junction.
- $F1 = VJ * (1 - (1 - FC)^{(1 - MJ)}) / (1 - MJ)$
- $F2 = (1 - FC)^{(1 + MJ)}$
- $F3 = 1 - FC * (1 + MJ)$

The collector-substrate charge, Q_{cs} , depends on the substrate-collector voltage, V_{sc} . As applicable, the model parameters are first adjusted for temperature.

Applicable Range of V_{sc} Values	Corresponding Q_{cs} Equation
$V_{sc} < 0$	$Q_{cs} = CJS_d * VJS * \left(\frac{1 - (1 - V_{sc}/VJS)^{(1 - MJS)}}{1 - MJS} \right)$
$V_{sc} \geq 0$	$Q_{cs} = CJS_d * (1 + MJS * V_{sc} / (2 * VJS)) * V_{sc}$

Where:

- CJS_d is the geometry-adjusted collector-substrate junction capacitance.
- VJS is the substrate built-in potential.
- MJS is the substrate exponential factor.

Temperature Dependence

The relationship between the saturation current, IS_d , and the transistor temperature, T , is

$$IS(T) = IS_d * (T/T_{meas})^{XTI} * e^{\left(\frac{T}{T_{meas}} - 1\right) * \frac{EG}{V_t}}$$

Where:

- IS_d is the geometry-adjusted transport saturation current.
- T_{meas} is the parameter extraction temperature.
- XTI is the transport saturation current temperature exponent.
- EG is the energy gap.
- $V_t = kT/q$.

The relationship between the base-emitter junction potential, VJE , and the transistor temperature, T , is

$$VJE(T) = VJE * \left(\frac{T}{T_{meas}}\right) - \frac{3 * k * T}{q} * \log\left(\frac{T}{T_{meas}}\right) - \left(\frac{T}{T_{meas}}\right) * EG_{T_{meas}} + EG_T$$

Where:

- VJE is the base-emitter built-in potential.

- $EG_{T_{meas}} = 1.16eV - (7.02e - 4 * T_{meas}^2) / (T_{meas} + 1108)$
- $EG_T = 1.16eV - (7.02e - 4 * T^2) / (T + 1108)$

The block uses the $VJE(T)$ equation to calculate the base-collector junction potential by substituting VJC , the base-collector built-in potential, for VJE .

The relationship between the base-emitter junction capacitance, CJE , and the transistor temperature, T , is

$$CJE(T) = CJE_d * \left[1 + MJE * \left(400e - 6 * (T - T_{meas}) - \frac{VJE(T) - VJE}{VJE} \right) \right]$$

Where:

- CJE_d is the geometry-adjusted base-emitter depletion capacitance.
- MJE is the base-emitter exponential factor.

The block uses the $CJE(T)$ equation to calculate the base-collector junction capacitance by substituting CJC_d , geometry-adjusted base-collector depletion capacitance, for CJE_d and MJC , base-collector exponential factor, for MJE .

The relationship between the forward and reverse beta and the transistor temperature, T , is

$$\beta(T) = \beta * \left(\frac{T}{T_{meas}} \right)^{XTB}$$

Where:

- β is the forward beta or reverse beta.
- XTB is the beta temperature exponent.

The relationship between the base-emitter leakage current, ISE , and the transistor temperature, T , is

$$ISE(T) = ISE_d * \left(\frac{T}{T_{meas}} \right)^{-XTB} * \left(\frac{IS(T)}{IS_d} \right)^{1/NE}$$

Where:

- ISE_d is the geometry-adjusted base-emitter leakage current.
- NE is the base-emitter emission coefficient.

The block uses this equation to calculate the base-collector leakage current by substituting, ISC_d , the geometry-adjusted base-collector leakage current for ISE_d and NC , the base-collector emission coefficient, for NE .

Assumptions and Limitations

- The block does not support noise analysis.
- The block applies initial conditions across junction capacitors and not across the block ports.

Ports

Conserving

bx — Base terminal

electrical

Electrical conserving port associated with the transistor base terminal.

cx — Collector terminal

electrical

Electrical conserving port associated with the transistor collector terminal.

ex — Emitter terminal

electrical

Electrical conserving port associated with the transistor emitter terminal.

sx — Substrate terminal

electrical

Electrical conserving port associated with the transistor substrate terminal.

Parameters

Main

Device area, AREA — Device area

1.0 m² (default) | positive scalar

Device area. The value must be greater than 0.

Number of parallel devices, SCALE — Number of parallel devices

1 (default) | positive scalar

Number of parallel transistors that the block represents. The value must be greater than 0.

Forward Gain

Transport saturation current, IS — Saturation current magnitude

1e-16 A/m² (default) | positive scalar

Magnitude of the current at which the transistor saturates. The value must be greater than 0.

Forward beta, BF — Ideal maximum forward beta

100 (default) | positive scalar

Ideal maximum forward beta. The value must be greater than 0.

Forward emission coefficient, NF — Forward emission coefficient

1 (default) | positive scalar

Forward emission coefficient or ideality factor. The value must be greater than 0.

Forward Early voltage, VAF — Forward Early voltage

Inf V (default) | nonnegative scalar

Forward Early voltage. The value must be greater than or equal to 0.

Forward knee current, IKF — Forward-beta high-current roll-off currentInf A/m² (default) | nonnegative scalar

Current value at which forward-beta high-current roll-off occurs. The value must be greater than or equal to 0.

B-E leakage current, ISE — Base-emitter leakage current0 A/m² (default) | nonnegative scalar

Base-emitter leakage current. The value must be greater than or equal to 0.

B-E emission coefficient, NE — Base-emitter emission coefficient

1.5 (default) | positive scalar

Base-emitter emission coefficient or ideality factor. The value must be greater than 0.

Reverse Gain**Reverse beta, BR — Ideal maximum reverse beta**

1 (default) | positive scalar

Ideal maximum reverse beta. The value must be greater than 0.

Reverse emission coefficient, NR — Reverse emission coefficient

1 (default) | positive scalar

Reverse emission coefficient or ideality factor. The value must be greater than 0.

Reverse Early voltage, VAR — Reverse Early voltage

Inf V (default) | nonnegative scalar

Reverse Early voltage. The value must be greater than or equal to 0.

Reverse knee current, IKR — Reverse-beta high-current roll-off currentInf A/m² (default) | nonnegative scalar

Current value at which reverse-beta high-current roll-off occurs. The value must be greater than or equal to 0.

B-C leakage current, ISC — Base-collector leakage current0 A/m² (default) | nonnegative scalar

Base-collector leakage current. The value must be greater than or equal to 0.

B-C emission coefficient, NC — Base-collector emission coefficient

2 (default) | positive scalar

Base-collector emission coefficient or ideality factor. The value must be greater than 0.

Resistors

Zero-bias base resistance, **RB** — Base resistance

1 m²*0hm (default) | nonnegative scalar

Maximum resistance of the base. The value must be greater than or equal to 0.

Half base resistance cur, **IRB** — Base resistance half zero-bias drop current

Inf A/m² (default) | nonnegative scalar

Base current at which the base resistance has dropped to half of its zero-bias value. The value must be greater than or equal to 0. If you do not want to model the change in base resistance as a function of base current, use the default value of Inf.

Minimum base resistance, **RBM** — Minimum base resistance

0 m²*0hm (default) | scalar < *RB*

Minimum resistance of the base. The value must be less than or equal to the **Zero-bias base resistance, RB** parameter value.

Emitter resistance, **RE** — Emitter resistance

1e-4 m²*0hm (default) | nonnegative scalar

Resistance of the emitter. The value must be greater than or equal to 0.

Collector resistance, **RC** — Collector resistance

0.01 m²*0hm (default) | nonnegative scalar

Resistance of the collector. The value must be greater than or equal to 0.

Capacitance

Model junction capacitance — Junction capacitance model

No (default) | Yes

Options for modeling the junction capacitance:

- No — Do not include junction capacitance in the model. This is the default option.
- Yes — Include junction capacitance in the model.

Dependencies

Selecting Yes for the **Model junction capacitance** parameter exposes other **Capacitance** parameters and these capacitance junction settings:

- **B-E Capacitance** — Base-emitter parameters
- **B-C Capacitance** — Base-collector parameters
- **C-S Capacitance** — Collector-substrate parameters

Capacitance coefficient, **FC** — Capacitance coefficient

0.5 (default) | $0 \leq FC < 0.95$ | scalar

Fitting coefficient, *FC*, that quantifies the decrease of the depletion capacitance with applied voltage. The value must be greater than or equal to 0 and less than 0.95.

Dependencies

This parameter is only visible when you select Yes for the **Model junction capacitance** parameter.

Specify initial condition — Initial condition model

No (default) | Yes

Options for specifying initial conditions:

- No — Do not specify an initial condition for the model. This is the default option.
- Yes — Specify the initial transistor conditions.

Note The block applies the initial transistor voltages across the junction capacitors and not across the ports.

Dependencies

This parameter is only visible when you select Yes for the **Model junction capacitance** parameter.

Selecting Yes for the **Specify initial condition** parameter exposes related parameters.

Initial condition voltage ICVBE — Initial base-emitter voltage

0 V (default) | scalar

Base-emitter voltage at the start of the simulation.

Dependencies

This parameter is only visible when you select Yes for the **Model junction capacitance** and Yes for the **Specify initial condition** parameter.

Initial condition voltage ICVCE — Initial base-collector voltage

0 V (default) | scalar

Base-collector voltage at the start of the simulation.

Dependencies

This parameter is only visible when you select Yes for the **Model junction capacitance** and Yes for the **Specify initial condition** parameter.

B-E Capacitance

These settings are exposed if you select Yes for the **Model junction capacitance** parameter in the **Capacitance** settings.

B-E depletion capacitance, CJE — Base-emitter junction depletion capacitance

0 F/m² (default) | nonnegative scalar

Depletion capacitance across the base-emitter junction. The value must be greater than or equal to 0.

Dependencies

This parameter is only visible when you select Yes for the **Model junction capacitance** parameter.

B-E built-in potential, VJE — Base-emitter junction potential

0.75 V (default) | scalar | $0.01 \leq VJE$

Base-emitter junction potential. The value must be greater than or equal to 0.01 .

Dependencies

This parameter is only visible when you select Yes for the **Model junction capacitance** parameter.

B-E exponential factor, MJE — Base-emitter junction grading coefficient

0.33 (default) | scalar | $0 \leq MJC \leq 0.9$

Grading coefficient for the base-emitter junction. The value must be greater than or equal to 0 and less than or equal to 0.9 .

Dependencies

This parameter is only visible when you select Yes for the **Model junction capacitance** parameter.

Forward transit time, TF — Minority carrier transit time

0 s (default) | nonnegative scalar

Transit time of the minority carriers that cause diffusion capacitance when the base-emitter junction is forward-biased. The value must be greater than or equal to 0 .

Dependencies

This parameter is only visible when you select Yes for the **Model junction capacitance** parameter.

Coefficient of TF, XTF — Base-emitter transit time bias dependence coefficient

0 (default) | nonnegative scalar

Coefficient for the base-emitter bias dependence of the transit time, which produces a charge across the base-emitter junction. The value must be greater than or equal to 0 . If you do not want to model the effect of base-emitter bias on transit time, use the default value of 0 .

Dependencies

This parameter is only visible when you select Yes for the **Model junction capacitance** parameter.

VBC dependence of TF, VTF — Base-collector transit time bias dependence coefficient

$\text{Inf } V$ (default) | nonnegative scalar

Coefficient for the base-collector bias dependence of the transit time. The value must be greater than or equal to 0 .

Dependencies

This parameter is only visible when you select Yes for the **Model junction capacitance** parameter.

Coefficient of TF, ITF — Collector current transit time dependence coefficient

0 A/m² (default) | nonnegative scalar

Coefficient for the dependence of the transit time on collector current. The value must be greater than or equal to 0 . If you do not want to model the effect of collector current on transit time, use the default value of 0 .

Dependencies

This parameter is only visible when you select Yes for the **Model junction capacitance** parameter.

B-C Capacitance

These settings are exposed if you select Yes for the **Model junction capacitance** parameter in the **Capacitance** settings.

B-C depletion capacitance, CJC — base-collector junction depletion capacitance

0 F/m^2 (default) | positive scalar

Depletion capacitance across the base-collector junction. The value must be greater than 0.

Dependencies

This parameter is only visible when you select Yes for the **Model junction capacitance** parameter.

B-C built-in potential, VJC — Base-collector junction potential

0.75 V (default) | scalar | $0.01 \leq VJC$

Base-collector junction potential. The value must be greater than or equal to 0.01 V .

Dependencies

This parameter is only visible when you select Yes for the **Model junction capacitance** parameter.

B-C exponential factor, MJC — Base-collector junction grading coefficient

0.33 (default) | $0 \leq MJC \leq 0.9$

Grading coefficient for the base-collector junction. The value must be greater than or equal to 0 and less than or equal to 0.9.

Dependencies

This parameter is only visible when you select Yes for the **Model junction capacitance** parameter.

B-C capacitance fraction, XCJC — Base-collector depletion capacitance fraction

1 (default) | scalar | $0 \leq XCJC \leq 1$

Fraction of the base-collector depletion capacitance that is connected between the internal base and the internal collector. The rest of the base-collector depletion capacitance is connected between the external base and the internal collector. The value must be greater than or equal to 0 and less than or equal to 1.

Dependencies

This parameter is only visible when you select Yes for the **Model junction capacitance** parameter.

Reverse transit time, TR — Minority carrier transit time

0 s (default) | nonnegative scalar

Transit time of the minority carriers that cause diffusion capacitance when the base-collector junction is forward-biased. The value must be greater than or equal to 0.

Dependencies

This parameter is only visible when you select Yes for the **Model junction capacitance** parameter.

C-S Capacitance

These settings are exposed if you select Yes for the **Model junction capacitance** parameter in the **Capacitance** settings.

C-S junction capacitance, CJS — Collector-substrate junction capacitance

0F/m^2 (default) | nonnegative scalar

Collector-substrate junction capacitance. The value must be greater than or equal to 0.

Dependencies

This parameter is only visible when you select Yes for the **Model junction capacitance** parameter.

Substrate built-in potential, VJS — Substrate potential

0.75 V (default) | scalar | $0.01 \leq VJS$

Potential of the substrate. The value must be greater than or equal to 0.01 V.

Dependencies

This parameter is only visible when you select Yes for the **Model junction capacitance** parameter.

Substrate exponential factor, MJS — Collector-substrate junction grading coefficient

0 (default) | scalar | $0 \leq MJS \leq 0.9$

Grading coefficient for the collector-substrate junction. The value must be greater than or equal to 0 and less than or equal to 0.9.

Dependencies

This parameter is only visible when you select Yes for the **Model junction capacitance** parameter.

Temperature

Model temperature dependence using — Temperature dependence model

Device temperature (default) | Fixed temperature

Select one of these options for modeling the transistor temperature dependence:

- **Device temperature** — Use the device temperature to model temperature dependence.
- **Fixed temperature** — Use a temperature that is independent of the circuit temperature to model temperature dependence.

For more information, see “Transistor Temperature” on page 1-1827.

Dependencies

Selecting **Device temperature** exposes the **Offset local circuit temperature, TOFFSET** parameter. Selecting **Fixed temperature** exposes the **Fixed circuit temperature, TFIXED** parameter.

Beta temperature exponent, XTB — Forward and reverse beta temperature exponent

0 (default) | nonnegative scalar

Forward and reverse beta temperature exponent that models base current temperature dependence. The value must be greater than or equal to 0.

Energy gap, EG — Energy gap1.11 eV (default) | $EG \geq 0.1$ | scalar

Energy gap that affects the increase in the saturation current as temperature increases. The value must be greater than or equal to 0.1.

Temperature exponent for IS, XTI — Saturation current exponential increase order

3 (default) | nonnegative scalar

Order of the exponential increase in the saturation current as temperature increases. The value must be greater than or equal to 0.

Offset local circuit temperature, TOFFSET — Local circuit temperature offset

0 K (default) | scalar

Amount by which the transistor temperature differs from the circuit temperature.

Dependencies

This parameter is only visible when you select Device temperature for the **Model temperature dependence using** parameter.

Fixed circuit temperature, TFIXED — Fixed circuit temperature

300.15 K (default) | positive scalar

Transistor simulation temperature. The value must be greater than 0 K.

Dependencies

This parameter is only visible when you select Fixed temperature for the **Model temperature dependence using** parameter.

Parameter extraction temperature, TMEAS — Parameter extraction temperature

300.15 K (default) | positive scalar

Temperature at which the transistor parameters are measured. The value must be greater than 0 K.

References

[1] G. Massobrio and P. Antognetti. *Semiconductor Device Modeling with SPICE*. 2nd Edition. New York: McGraw-Hill, 1993.

Extended Capabilities**C/C++ Code Generation**

Generate C and C++ code using Simulink® Coder™.

See Also**Simscape Blocks**

Environment Parameters | Generic Linear Actuator

Functions

subcircuit2ssc

Topics

“Additional Parameterization Workflows”

“Converting a SPICE Netlist to Simscape Blocks”

“Parameterize an Exponential Diode from SPICE Netlist”

Introduced in R2008a

SPICE Resistor

Model SPICE-compatible resistor

Library: Simscape / Electrical / Additional Components / SPICE
Passives



Description

The SPICE Resistor block represents a SPICE-compatible resistor. You can specify the resistance in one of the following ways:

- As a resistance value
- As process information that the block uses to calculate a resistance value

The block models temperature dependence. There are two ways to specify the resistor temperature:

- When you select `Device` temperature for the **Model temperature dependence using** parameter, the resistor temperature is

$$T = T_C + T_O$$

where:

- T_C is the **Temperature** parameter value from the Environment Parameters block. If this block doesn't exist in the circuit, T_C is the default value of this parameter.
- T_O is the **Offset local circuit temperature, TOFFSET** parameter value.
- When you select `Fixed` temperature for the **Model temperature dependence using** parameter, the resistor temperature is the **Fixed circuit temperature, TFIXED** parameter value.

The block adjusts the specified or calculated resistance value for temperature using the following equation:

$$R = R_0(1 + TC1(T - T_{nom}) + TC2(T - T_{nom})^2)$$

Where

- R_0 is the specified or calculated resistance value.
- $TC1$ is the **First order temperature coefficient, TC1** parameter value.
- $TC2$ is the **Second order temperature coefficient, TC2** parameter value.
- T_{nom} is the **Parameter extraction temperature, TMEAS** parameter value.

Ports

Conserving

+ – Positive terminal

electrical

Electrical conserving port associated with the SPICE resistor positive voltage terminal

- – Negative terminal

electrical

Electrical conserving port associated with the SPICE resistor negative voltage terminal

Parameters**Resistance****Device scale factor, SCALE – Device scale factor**

1.0 (default)

Number of parallel resistors that the block represents. This value multiplies the output current.

Resistor parameterization – Parameterization options

Use specified resistance (default) | Calculate from process information

Select one of the following options for specifying the resistor value:

- Use specified resistance — Provide the resistance value directly.
- Calculate from process information — Provide process parameters that the block uses to calculate the resistance value.

When you select this option, the block calculates the resistance using the following equation:

$$R = RSH * \frac{(LENGTH - NARROW)}{(WIDTH - NARROW)}$$

where:

- *RSH* is the **Sheet resistance**, **RSH** parameter value.
- *LENGTH* is the **Resistor length**, **LENGTH** parameter value.
- *WIDTH* is the **Resistor width**, **WIDTH** parameter value.
- *NARROW* is the **Etch narrowing**, **NARROW** parameter value.

Resistance, R – Resistance

0 Ohm (default)

Resistance value.

Dependencies

This parameter is visible only when you select Use specified resistance for the **Resistor parameterization** parameter.

Sheet resistance, RSH – Resistance per square

0 Ohm (default)

Resistance per square of the resistor.

Dependencies

This parameter is visible only when you select Calculate from process information for the **Resistor parameterization** parameter.

Resistor length, LENGTH — Resistor length

1e-6 m (default)

Length dimension of the resistor.

Dependencies

This parameter is visible only when you select `Calculate` from process information for the **Resistor parameterization** parameter.

Resistor width, WIDTH — Resistor width

1e-6 m (default)

Width dimension of the resistor.

Dependencies

This parameter is visible only when you select `Calculate` from process information for the **Resistor parameterization** parameter.

Etch narrowing, NARROW — Etch narrowing

0 m (default)

Amount by which the resistor length and width are reduced due to side etching.

Dependencies

This parameter is visible only when you select `Calculate` from process information for the **Resistor parameterization** parameter.

Temperature**Model temperature dependence using — Temperature dependence parameterization**

Device temperature (default) | Fixed temperature

Select one of the following options for modeling the resistor temperature dependence:

- **Device temperature** — Use the device temperature, which is the **Temperature** parameter value (from the Environment Parameters block, if one exists in the circuit, or the default value for this block otherwise) plus the **Offset local circuit temperature, TOFFSET** parameter value.
- **Fixed temperature** — Use a temperature that is independent of the circuit temperature to model temperature dependence.

First order temperature coefficient, TC1 — First order temperature coefficient

0 1/K (default)

Coefficient for the linear term in the equation that the block uses to adjust the specified or calculated resistance value for temperature.

Second order temperature coefficient, TC2 — Second order temperature coefficient0 1/K² (default)

Coefficient for the quadratic term in the equation the block uses to adjust the specified or calculated resistance value for temperature.

Offset local circuit temperature, TOFFSET — Offset local circuit temperature

0 K (default)

The amount by which the resistor temperature differs from the circuit temperature.

Dependencies

This parameter is visible only when you select `Device` temperature for the **Model temperature dependence using** parameter.

Fixed circuit temperature, TFIXED — Fixed circuit temperature

300.15 K (default)

The temperature at which to simulate the resistor.

Dependencies

This parameter is visible only when you select `Fixed` temperature for the **Model temperature dependence using** parameter.

Parameter extraction temperature, TMEAS — Parameter extraction temperature

300.15 K (default)

The temperature at which the resistor parameters were measured.

Extended Capabilities**C/C++ Code Generation**

Generate C and C++ code using Simulink® Coder™.

See Also**Simscape Blocks**

Diode | Environment Parameters

Functions

`subcircuit2ssc`

Topics

“Additional Parameterization Workflows”

“Converting a SPICE Netlist to Simscape Blocks”

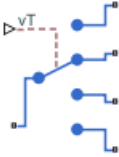
“Parameterize an Exponential Diode from SPICE Netlist”

Introduced in R2012b

SPMT Switch

Single-pole multiple-throw switch

Library: Simscape / Electrical / Switches & Breakers



Description

The SPMT Switch block models a single-pole multiple-throw switch. You can specify three to eight throw connections by setting the **Number of throw ports** parameter to the desired amount. If you only need one or two throw ports, see the SPST Switch and SPDT Switch blocks.

The switch control port physical signal, **vT**, specifies which throw port connects to the pole:

- When **vT** is in the $[-\infty, 1.5]$ range, the pole always connects to throw port 1, **n1**.
- When **vT** is between one and the number of throw ports, the signal value is rounded to the nearest integer. The pole then connects to the throw port that corresponds to the integer value.
- When **vT** is higher than the number of throw ports, the pole always connects to the last throw port.

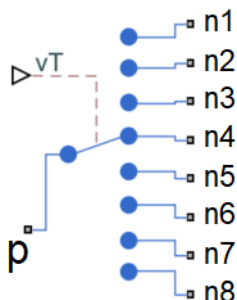
Open connections are modeled by a resistor with a value equal to the reciprocal of the **Open conductance** parameter value. Closed connections are modeled by a resistor with a value equal to the **Closed resistance** parameter value.

Assumptions and Limitations

- The values of the open conductance and closed resistance are the same for all throw ports.
- Switch dynamics and custom thresholds are not modeled.

Ports

Refer to the figure for port locations.



Input

vT — Switch control port

physical signal

Signal that opens and closes the switch, specified as a physical signal.

Conserving

p — Common port

electrical

Electrical conserving port associated with the common pole.

n1 — Throw port 1

electrical

Electrical conserving port associated with the first throw.

n2 — Throw port 2

electrical

Electrical conserving port associated with the second throw.

n3 — Throw port 3

electrical

Electrical conserving port associated with the third throw.

n4 — Throw port 4

electrical

Electrical conserving port associated with the fourth throw.

Dependencies

To enable this port, set **Number of throw ports** to 4, 5, 6, 7, or 8.

n5 — Throw port 5

electrical

Electrical conserving port associated with the fifth throw.

Dependencies

To enable this port, set **Number of throw ports** to 5, 6, 7, or 8.

n6 — Throw port 6

electrical

Electrical conserving port associated with the sixth throw.

Dependencies

To enable this port, set **Number of throw ports** to 6, 7, or 8.

n7 — Throw port 7

electrical

Electrical conserving port associated with the seventh throw.

Dependencies

To enable this port, set **Number of throw ports** to 7 or 8.

n8 — Throw port 8

electrical

Electrical conserving port associated with the eighth throw.

Dependencies

To enable this port, set **Number of throw ports** to 8.

Parameters

Main

Number of throw ports — Number of throw ports

4 (default) | 3 | 5 | 6 | 7 | 8

Number of throw connections.

Closed resistance — Closed resistance

0.01 Ohm (default) | positive scalar

Resistance between the **p** port and the throw ports when the switch is closed. The value must be greater than zero.

Open conductance — Open conductance

1e-6 S (default) | positive scalar

Conductance between the **p** port and the throw ports when the switch is open. The value must be greater than zero.

Faults

Enable throw port position stuck fault — Whether to enable throw port stuck fault

No (default) | Yes

Whether throw port stuck faults can occur when the specified conditions are met.

Reporting when a fault occurs — Type of fault reporting

None (default) | Warn | Error

Type of reporting when a fault occurs:

- None — Does not generate a warning or an error.
- Warn — Generates a warning.
- Error — The simulation stops and generates an error.

Dependencies

To enable this parameter, set **Enable throw port position stuck fault** to Yes.

Fault trigger — Type of fault trigger

Temporal (default) | Behavioral

Type of fault trigger.

DependenciesTo enable this parameter, set **Enable throw port position stuck fault** to Yes.**Time at which fault is triggered — Time at which fault is triggered**

1 s (default) | positive scalar

Amount of time before a temporal fault is triggered.

Dependencies

To enable this parameter, set:

- **Enable throw port position stuck fault** to Yes.
- **Fault trigger** to Temporal.

Maximum permissible common port current — Maximum permissible common port current

inf A (default) | positive scalar

Maximum current that is permitted to flow through the common port, above which a fault may be triggered.

Dependencies

To enable this parameter, set:

- **Enable throw port position stuck fault** to Yes.
- **Fault trigger** to Behavioral.

Time to fail when exceeding current — Time to fail when exceeding current

1 s (default) | positive scalar

Amount of time that the common port current must continuously exceed the maximum permissible current before a behavioral fault is triggered.

Dependencies

To enable this parameter, set:

- **Enable throw port position stuck fault** to Yes.
- **Fault trigger** to Behavioral.

Extended Capabilities**C/C++ Code Generation**

Generate C and C++ code using Simulink® Coder™.

See Also

[DPDT Switch](#) | [DPST Switch](#) | [SPDT Switch](#) | [SPDT Switch \(Three-Phase\)](#) | [SPST Switch](#) | [SPST Switch \(Three-Phase\)](#)

Introduced in R2020a

SPST Relay

Single-pole single-throw relay with delays and faults

Library: Simscape / Electrical / Switches & Breakers / Relays



Description

The SPST Relay block models a single-pole single-throw relay. The block has three potential states:

- De-energized — The common contact, **C**, changes from being connected to disconnected from the normally open contact, **S**.
- Energized — The common contact, **C**, changes from being disconnected to connected to the normally open contact, **S**.
- Open Circuit — The relay is open. The common contact, **C**, is not connected to the normally open contact, **S**.

You can:

- Control the relay state using a physical signal input port or electrical conserving ports.
- Output the relay state.
- Delay the breaking and making of the connection.
- Introduce a behavioral or temporal fault that results in a stuck connection, an open circuit, or degraded contact resistance.

Relay State Control

The block has two control variants:

- Physical signal (PS) control — The state of the relay depends on how the value of the input physical signal compares to the relay threshold. The relay threshold, th , is the value that you specify for the **Threshold** parameter.
- Electrical control — The state of the relay depends on how the current through the positive and negative electrical conserving ports, which represent the relay winding, compares to the relay upper and lower thresholds. The upper and lower thresholds depend on the values that you specify for the parameters in the **Winding** settings.

For the PS control variant, at the start of simulation:

- If the input signal, PS , is less than or equal to th , the relay is de-energized and the common contact, **C**, disconnects from the normally open contact, **S**.
- If the input signal, PS , greater than th , the relay is energized and **C** connects to the normally open contact, **S**.

After the simulation starts, if PS rises above th , the block goes from a de-energized state to an energized state and the **C-S** connection closes after the delay specified in **Time-to-make C-S connection**.

If the block goes from an energized state to a de-energized state, that is PS falls to or below th , the **C-S** connection breaks after the delay specified in **Time-to-break C-S connection**.

For the electrical control variant, the upper and lower thresholds depend on the specified values for the **Rated voltage**, **Percent rated voltage to energize**, **Percent rated voltage to de-energize**, and **Winding series resistance** parameters. The rated current is:

$$i_{rated} = \frac{V_{rated}}{r_{coil}}.$$

The equation for the upper current threshold, $i_{energized}$, is:

$$i_{energized_current} = \frac{Rated\ Voltage * Percent\ rated\ voltage\ to\ energize}{Winding\ series\ resistance}.$$

The equation for the lower current threshold, $i_{de-energized}$, is:

$$i_{de-energized_current} = \frac{Rated\ Voltage * Percent\ rated\ voltage\ to\ de - energize}{Winding\ series\ resistance}.$$

At the start of simulation, if the control current is greater than $i_{energized}$, the relay is energized and **C** connects to the normally open contact, **S**.

After the start of simulation, if the current rises above $i_{energized}$, the block goes from a de-energized state to an energized state. The **C-S** connection closes after the delay specified in **Time-to-make C-S connection**.

If the current falls below $i_{de-energized}$, the block goes from an energized state to a de-energized state. The **C-S** connection breaks after the delay specified in **Time-to-break C-S connection**.

Output the Relay State

To view the relay state, expose port **x**, a physical signal port that outputs the state of each connection. To expose the **x** port, in the **Main** settings, set **State port** to **Visible**.

The table shows how the state of the relay relates to the state of the connection. A closed connection has a state of 1. An open connection has a state of 0.

Relay and Connection States

C-S Connection State	Relay State
0	De-energized or open circuit
1	Energized

Connection Delays

You can specify delays for making and breaking connections in the **Mechanical** settings. The table shows how the make and break time delays affect the connections between contacts **S1** and **S2** and the common contact, **C**.

Mechanical Settings		Relay State	C-S Connection State	Results, with C-S in Blue and PS in Yellow
Parameter	Value	De-energized	0	<p>The top plot, titled 'x', shows the C-S connection state as a blue square wave alternating between 0 and 1. The bottom plot, titled 'Physical Signal (PS)', shows the physical signal as a yellow square wave alternating between 0 and 3. Both signals are perfectly in phase, indicating zero delay in both making and breaking the connection.</p>
Time-to-break C-S connection	0	Energized	1	
Time-to-make C-S connection	0			
Parameter	Value	De-energized	1, 0	<p>The top plot, titled 'Delay breaking C-S', shows the C-S connection state as a blue square wave alternating between 0 and 1. The bottom plot, titled 'Physical Signal (PS)', shows the physical signal as a yellow square wave alternating between 0 and 3. There is a significant delay in the falling edge of the PS signal compared to the falling edge of the C-S signal, illustrating the effect of a non-zero time-to-break.</p>
Time-to-break C-S connection	> 0	Energized	1	
Time-to-make C-S connection	0			

Mechanical Settings		Relay State	C-S Connection State	Results, with C-S in Blue and PS in Yellow
Parameter	Value	De-energized	0	
Time-to-break C-S connection	0	Energized	0, 1	
Time-to-make C-S connection	> 0			

Faults

The block provides four fault types:

- C-S stuck closed
- C open circuit (no path to S)
- Degraded contact resistance
- Winding failed open circuit. This fault type is available only for the electrical control variant.

Each type of fault can take effect only when the threshold for a temporal or behavioral trigger is exceeded.

C-S Stuck Closed Fault

The **C-S** stuck closed fault occurs if the common contact, **C**, becomes mechanically, electrically, or chemically stuck to the normally closed contact, **S**. Causes of this type of fault include:

- 1 Contact welding, possibly due to an inrush current or breaking current that exceeds the rating or load short circuit.
- 2 Mechanical damage.
- 3 Insulation deterioration.
- 4 Inductive voltage.

The connection state for a **C-S** stuck closed fault is equal to 1.

A **C-S** stuck closed temporal fault can occur only if the simulation time exceeds the time threshold such that

$$t > t_{th_t}$$

where:

- t is the simulation time.
- t_{th_t} is the specified value for the **Simulation time after which contactors can stick** parameter.

A **C-S** stuck closed behavioral fault can occur only if the load current exceeds the current threshold for a period of time that exceeds the behavioral trigger time threshold. That is, the behavioral fault can occur only if:

$$i_{load} > i_{th},$$

and

$$t_{i > i_{th}} > t_{th_b},$$

where:

- i_{load} is the load current.
- i_{th} is the specified value for the **Maximum permissible load current** parameter.
- $t_{i > i_{th}}$ is the time that the current threshold is exceeded.
- t_{th_b} is the specified value for the **Time to fail when exceeding current** parameter.

When the temporal or behavioral fault thresholds are exceeded, if **C-S** is:

- Closed — **C-S** remains closed for the rest of the simulation.
- Open — The fault does not take effect unless the relay becomes energized and the **C-S** connection closes. Once closed, the **C-S** connection remains closed for the rest of the simulation.

C Open Circuit (No Path to S) Fault

The **C** open circuit (no path to **S**) fault occurs if the common contact, **C**, becomes mechanically stuck in an open position. This type of fault can happen if:

- There is contact damage or deterioration.
- The switch connector becomes mechanically stuck in the middle of the relay.

The faulted state for a **C** open circuit (no path to **S**) fault is equal to \emptyset .

A **C** open circuit temporal fault can occur only if the simulation time exceeds the time threshold such that

$$t > t_{th_t},$$

where:

- t is the simulation time.
- t_{th_t} is the specified value for the **Simulation time after which C can be open circuit** parameter.

A **C** open circuit behavioral fault can occur only if the load current exceeds the current threshold for a period of time that exceeds the behavioral trigger time threshold. That is, the behavioral fault can occur only if:

$$i_{load} > i_{th},$$

and then

$$t_i > i_{th} > t_{th_b},$$

where:

- i_{load} is the load current.
- i_{th} is the specified value for the **Maximum permissible load current** parameter.
- $t_{i>i_{th}}$ is the time that the current threshold is exceeded.
- t_{th_b} is the specified value for the **Time to fail when exceeding current** parameter.

When the temporal fault threshold is exceeded, if:

- The relay is in the open-circuit state, that is, the connection has been broken and not yet been made, the relay remains open for the rest of the simulation.
- The **C-S** connection is closed, the fault does not take effect unless the relay is de-energized and the closed connection is broken. If the connection is broken, the relay becomes an open-circuit, and remains open for the rest of the simulation.

When the behavioral fault thresholds are exceeded, if:

- The relay is in the open-circuit state, that is, the connection has been broken and not yet been made, the relay remains open for the rest of the simulation.
- The **C-S** connection is closed, the relay state immediately becomes an open circuit and remains an open circuit for the rest of the simulation.

Degraded Contact Resistance Fault

Causes of the degraded contact resistance fault include:

- 1 Overuse-induced overload conditions. High inrush currents and voltages can cause overload conditions, as can excessive switching of the relay. Overload conditions ultimately trigger electrical arcing, which generates heat that degrades the contact material.
- 2 Chemical contamination that interferes with the operation of the relay contacts. Contaminants, which can include oxidation films or foreign particles, tend to produce high or unstable contact resistance readings.
- 3 End of relay life.

The faulted state for a degraded contact resistance fault for the **C-S** connection is equal to either 0 or 1.

A degraded contact resistance temporal fault can occur only if the simulation time exceeds the time threshold such that

$$t > t_{th_t},$$

where:

- t is the simulation time.
- t_{th_t} is the specified value for the **Simulation time for fault event** parameter.

The current contact resistance of **S** is:

$$r_{contact_s}(t) = r_{contact_fault_s} - (r_{contact_fault_s} - r_{contact})sech\left(\frac{t - t_{th_t}}{\tau}\right),$$

where:

- $r_{contact_fault_s}$ is the final value of the faulted **S** contact resistance.
- $r_{contact}$ is the unfaulted **S** contact resistance.
- t_{th_t} is the specified value for the **Simulation time for fault event** parameter.

A degraded contact resistance behavioral fault can occur only if the load current exceeds the current threshold for a period of time that exceeds the behavioral trigger time threshold. That is, the behavioral fault can occur only if:

$$i_{load} > i_{th},$$

and then

$$t_i > i_{th} > t_{th_b},$$

where:

- i_{load} is the load current.
- i_{th} is the specified value for the **Maximum permissible load current** parameter.
- $t_{i>i_{th}}$ is the time that the current threshold is exceeded.
- t_{th_b} is the specified value for the **Time to fail when exceeding current** parameter.

For a behavior-triggered fault, if $i_{S-C} > i_{th}$ continuously over the time interval t_{th_b} ,

$$r_{contact_s}(t) = r_{contact_fault_s} - (r_{contact_fault_s} - r_{contact})sech\left(\frac{t_{i>i_{th}} - t_{th_b}}{\tau}\right),$$

where:

- i_{S-C} is the common contact to normally closed contact, **C-S**, current.
- i_{th} is the specified value for the **Maximum permissible load current** parameter.
- t_{th_b} is the specified value for the **Time to fail when exceeding current** parameter.
- $r_{contact_fault_s}$ is the final value of the faulted **S** contact resistance.
- $r_{contact}$ is the unfaulted **S** contact resistance.
- τ is specified value for the **Time constant for degraded contact resistance** parameter.

When the temporal fault threshold is exceeded for the **C-S** connection, the contact resistance is immediately degraded and remains degraded for the rest of the simulation.

When the behavioral fault thresholds are exceeded for **C-S**, in terms of i_{S-C} , the resistance for the **C-S** connection is immediately degraded and remains degraded for the rest of the simulation.

Winding failed open circuit

The open-circuit winding fault is available only for the electrical control variant. An open circuit in the winding coil can cause this type of fault.

A winding failed open circuit temporal fault can occur only if the simulation time exceeds the time threshold such that

$$t > t_{th_t},$$

where:

- t is the simulation time.
- t_{th_t} is the specified value for the **Simulation time for fault event** parameter.

For time fault, the relay switches depend on the winding current, which is approximated as:

$$L \frac{di}{dt} + Ri = v_{winding} * \operatorname{sech}\left(\frac{t - t_{th_t}}{\tau}\right),$$

where :

- L is the winding inductance.
- R is the winding resistance.
- i is the winding current.
- $v_{winding}$ is the voltage across the winding.
- t_{th_t} is the specified value for the **Simulation time for fault event** parameter.
- τ is the specified value for the **Time constant for winding open circuit transition** parameter.

A winding failed open circuit behavioral fault can occur only if one of these conditions is met:

- The winding current exceeds the current threshold for a period of time that exceeds the behavioral trigger time threshold.
- The winding voltage exceeds the voltage threshold for a number of times that exceeds the threshold for the number of voltage overloads.

That is, the behavioral fault can occur only if:

$$i_{winding} > i_{th}$$

and then

$$t_i > i_{th} > t_{th_b},$$

where:

- $i_{winding}$ is the winding current.
- i_{th} is the specified value for the **Maximum permissible winding current** parameter.
- $t_{i>i_{th}}$ is the time that the current threshold is exceeded.
- t_{th_b} is the specified value for the **Time to fail when exceeding current** parameter.

or if:

$$v_{winding} > v_{th},$$

and then

$$N_v > v_{th} > N_{th},$$

where:

- $v_{winding}$ is the winding voltage.
- v_{th} is the specified value for the **Maximum permissible winding voltage** parameter.
- $N_{v>v_{th}}$ is the number of times that the voltage threshold is exceeded.
- N_{th} is the specified value for the **Number of events to fail when exceeding voltage** parameter.

If the temporal or behavioral fault thresholds are exceeded, **C-S** remains closed for the rest of the simulation.

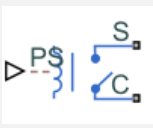
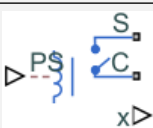
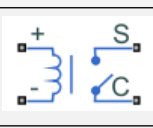
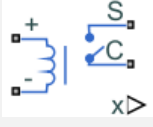
Limitations and Assumptions

- For behavioral faults, if **Time to fail when exceeding current** is greater than the time between switches, no fault is triggered because the accumulated heat is too low to melt or break the contacts or windings.
- The energize and de-energize delays can differ, but the energize delay must be greater than or equal to the de-energize delay.

Ports

The type, visibility, and location of the block ports depend on how you configure these parameters in the **Main** settings:

- **Control port** — Choose between a physical signal input port, **PS**, or electrical conserving ports, **+** and **-**, for relay control.
- **State port** — Set the visibility for the relay state physical signal output port, **x**.

Control port	State port	Block
PS	Hidden	
	Visible	
Electrical	Hidden	
	Visible	

Input

PS — Physical signal control

physical signal

Physical signal input port that energizes and de-energizes the relay.

Dependencies

This port is visible only when, in the **Main** settings, the **Control port** parameter is set to PS.

Output**x — Relay state**

physical signal

State of the relay in terms of the **C-S** connection:

- 1 — Closed connection
- 0 — Open connection

Dependencies

This port is visible only when, in the **Main** settings, the **State port** parameter is set to Visible.

Conserving**S — Normally-closed contact**

electrical

Electrical conserving port associated with the SPST relay normally-closed contact.

C — Common contact

electrical

Electrical conserving port associated with the SPST relay common contact.

+ — Winding positive terminal

electrical

Electrical conserving port associated with the SPST relay winding positive voltage terminal. The current through the winding controls the relay state.

Dependencies

This port is visible only if, in the **Main** settings, the **Control port** parameter is set to Electrical.

- — Winding negative terminal

electrical

Electrical conserving port associated with the SPST relay winding negative voltage terminal. The current through the winding controls the relay state.

Dependencies

This port is visible only if, in the **Main** settings, the **Control port** parameter is set to Electrical.

Parameters**Main****Control port — Input port choice**

PS (default) | Electrical

Relay state control method:

- PS — **PS** physical signal input port
- Electrical — + and - electrical conserving ports associated with the relay winding terminals

Dependencies

If this parameter is set to:

- PS — The **PS** port and related parameters in the **Main** and **Faults** settings are visible. For more information, see Control Port Parameter Dependencies.
- Electrical — The + and - ports, related parameters in the **Main** and **Faults** settings, and the **Windings** settings are visible. For more information, see Control Port Parameter Dependencies, Faults Parameter Dependencies, and “Winding” on page 1-1863.

The table shows how this parameter affects the visibility of other parameters in the **Main** settings. To learn how to read the table, see “Parameter Dependencies” on page A-2.

Control Port Parameter Dependencies

Control port	
PS	Electrical
Closed resistance	Closed resistance
Open conductance	Open conductance
Threshold	
State port	State port

Closed resistance — Connected contact resistance

0.01 Ohm (default) | positive scalar

Resistance across closed relay contacts. The parameter value must be greater than zero.

Open conductance — Open-circuit conductance

1e-8 1/Ohm (default) | positive scalar

Conductance across open relay contacts. The parameter value must be greater than zero.

Threshold — Relay threshold

0 (default) | nonnegative scalar

Threshold of the relay. If the physical signal input rises above the threshold value, the relay is energized. Conversely, if the physical signal input falls below the threshold value, the relay is de-energized.

Dependencies

This parameter is visible only if the **Control port** parameter is set to PS.

State port — Relay state output port visibility

Hidden (default) | Visible

Visibility of the physical signal port that outputs the relay state. This parameter value is 1 if the connection is closed, and 0 otherwise.

Dependencies

The **x** port is visible only if this parameter is set to **Visible**.

Winding

The **Winding** settings are visible only if, in the **Main** settings, the **Control port** parameter is set to **Electrical**. For more information, see “Control port” on page 1-0 .

Rated voltage — Rated voltage

5 V (default) | positive scalar

Standard voltage applied to the operating coil under normal operating conditions. The current threshold depends on the value of this parameter.

Dependencies

This parameter is visible only if, in the **Main** settings, the **Control port** parameter is set to **Electrical**. For more information, see “Control port” on page 1-0 .

Percent rated voltage to energize — Percent rated voltage to energize

75 (default) | positive scalar

Minimum percent of the rated voltage required to energize the relay. The current threshold depends on the value of this parameter.

Dependencies

This parameter is visible only if, in the **Main** settings, the **Control port** parameter is set to **Electrical**. For more information, see “Control port” on page 1-0 .

Percent rated voltage to de-energize — Percent rated voltage to de-energize

25 (default) | positive scalar

Percent of the rated voltage required to de-energize the relay. The current threshold depends on the value of this parameter.

Dependencies

This parameter is visible only if, in the **Main** settings, the **Control port** parameter is set to **Electrical**. For more information, see “Control port” on page 1-0 .

Winding inductance — Winding inductance

0.08 H (default) | positive scalar

Winding inductance.

Dependencies

This parameter is visible only if, in the **Main** settings, the **Control port** parameter is set to **Electrical**. For more information, see “Control port” on page 1-0 .

Winding series resistance — Winding series resistance

12.5 Ohm (default) | positive scalar

Resistance between the winding terminals. The current threshold depends on the value of this parameter.

Dependencies

This parameter is visible only if, in the **Main** settings, the **Control port** parameter is set to **Electrical**. For more information, see “Control port” on page 1-0 .

Winding parallel conductance — Winding parallel conductance

1e-9 1/Ohm (default) | positive scalar

Winding conductance.

Dependencies

This parameter is visible only if, in the **Main** settings, the **Control port** parameter is set to **Electrical**. For more information, see “Control port” on page 1-0 .

Mechanical**Time-to-break C-S connection — Delay time for breaking connection C-S**

0 s (default) | nonnegative scalar

Mechanical switching time for breaking the connection between ports **C** and **S** when the relay is energized.

Time-to-make C-S connection — Delay time for making connection C-S

0 s (default) | nonnegative scalar

Mechanical switching time for making the connection between ports **C** and **S** when the relay is de-energized.

Faults

The table shows how the specified options for certain parameters in the **Faults** settings affect the visibility of other parameters in the **Faults** settings. To learn how to read the table, see “Parameter Dependencies” on page A-2.

Note The **Fault type** parameter is visible only if, in the **Main** settings, the **Control Port** parameter is set to **Electrical**. For more information, see “Control port” on page 1-0 .

Faults Parameter Dependencies

Faults																
Enable faults																
No	Yes															
	Reporting when a fault occurs															
	Fault type															
	Switch fault											Winding failed open circuit				
	Switch fault															
	C-S stuck closed				C open circuit (no path to S)				Degraded contact resistance			Time constant for winding open circuit transition				
									Degraded contact resistance							
									Time constant for degraded contact resistance							
	Enable temporal fault trigger				Enable temporal fault trigger				Enable temporal fault trigger				Enable temporal fault trigger			
	No		Yes						No		Yes		No		Yes	
			Simulation time after which contactors can stick								Simulation time after which C can be open circuit				Simulation time for fault event	
	Enable behavioral fault trigger		Enable behavioral fault trigger						Enable behavioral fault trigger		Enable behavioral fault trigger		Enable behavioral fault trigger		Enable behavioral fault trigger	
	No	Yes	No	Yes				No	Yes	No	Yes	No	Yes	No	Yes	
		Maximum permissible load current							Maximum permissible load current		Maximum permissible load current		Maximum permissible load current		Maximum permissible winding voltage	

Faults														
				Maximum permissible load current									Number of events to fail when exceeding voltage	Number of events to fail when exceeding voltage
													Maximum permissible winding current	Maximum permissible winding current
		Time to fail when exceeding current		Time to fail when exceeding current		Time to fail when exceeding current		Time to fail when exceeding current		Time to fail when exceeding current			Time to fail when exceeding current	Time to fail when exceeding current

Enable faults – Whether to model faults

No (default) | Yes

Whether to model faults.

Dependencies

If this parameter is set to Yes, related parameters are visible. For more information, see Faults Parameter Dependencies.

Reporting when a fault occurs — Reporting when a fault occurs

None (default) | Warn | Error

Simulation reporting when a fault occurs:

- **None** — Does not generate a warning or an error.
- **Warn** — Generates a warning.
- **Error** — The simulation stops and generates an error.

Dependencies

This parameter is visible only if the **Enable faults** parameter is set to Yes. For more information, see Faults Parameter Dependencies.

Fault type — Fault model

Winding failed open circuit (default) | Switch fault

Fault type.

Dependencies

This parameter is visible only if, in the **Main** settings, the **Control port** parameter is set to **Electrical** and, in the **Faults** settings, the **Enable faults** parameter is set to Yes. For more information, see “Control port” on page 1-0 and Faults Parameter Dependencies.

The specified option for this parameter affects the visibility of other parameters in the **Faults** settings. For more information, see Faults Parameter Dependencies.

Switch fault — Switch fault model

C-S stuck closed (default) | C open circuit (no path to S) | Degraded contact resistance

Switch fault model.

Dependencies

This parameter is visible only if either of these conditions are met:

- In the **Main** settings, the **Control port** parameter is set to **PS** and, in the **Faults** settings, the **Enable faults** parameter is set to Yes.
- In the **Main** settings, the **Control port** parameter is set to **Electrical**, and in the **Faults** settings, the **Enable faults** parameter is set to Yes and the **Fault type** parameter is set to **Switch fault**.

For more information, see “Control port” on page 1-0 and Faults Parameter Dependencies.

Degraded contact resistance C-S — Degraded contact resistance C-S

1e-9 Ohm (default) | positive scalar

Degraded resistance of the faulted **S** contact.**Dependencies**

This parameter is visible only if either one of these two sets of conditions is met:

Condition Set One

- In the **Main** settings, the **Control port** parameter is set to PS.
- In the **Faults** settings:
 - The **Enable faults** parameter is set to Yes.
 - The **Switch fault** parameter is set to Degraded contact resistance.

Condition Set Two

- In the **Main** settings, the **Control port** parameter is set to Electrical.
- In the **Faults** settings:
 - The **Enable faults** parameter is set to Yes.
 - The **Fault type** parameter is set to Switch fault.
 - The **Switch fault** parameter is set to Degraded contact resistance.

For more information, see “Control port” on page 1-0 and Faults Parameter Dependencies.

Time constant for degraded contact resistance — Time constant for degraded contact resistance

1e-3 (default) | positive scalar

Time constant for contact resistance to fall into degraded status.

Dependencies

This parameter is visible only if either one of these two sets of conditions is met:

Condition Set One

- In the **Main** settings, the **Control port** parameter is set to PS.
- In the **Faults** settings:
 - The **Enable faults** parameter is set to Yes.
 - The **Switch fault** parameter is set to Degraded contact resistance.

Condition Set Two

- In the **Main** settings, the **Control port** parameter is set to Electrical.
- In the **Faults** settings:
 - The **Enable faults** parameter is set to Yes.
 - The **Fault type** parameter is set to Switch fault.
 - The **Switch fault** parameter is set to Degraded contact resistance.

For more information, see “Control port” on page 1-0 and Faults Parameter Dependencies.

Time constant for winding open circuit transition — Time constant for winding open circuit transition

1e-3 s (default) | positive scalar

Time constant for the winding open circuit transition.

Dependencies

This parameter is visible only if all of these conditions are met:

- In the **Main** settings, the **Control port** parameter is set to Electrical.
- In the **Faults** settings:
 - The **Enable faults** parameter is set to Yes.
 - The **Fault type** parameter is set to Winding failed open circuit.

For more information, see “Control port” on page 1-0 and Faults Parameter Dependencies.

Enable temporal fault trigger — Whether to enable a temporal fault trigger

No (default) | Yes

Whether to enable a temporal fault trigger.

Dependencies

This parameter is visible only if the **Enable faults** parameter is set to Yes.

If this parameter is set to Yes, related parameters become visible.

For more information, see Faults Parameter Dependencies.

Simulation time after which contactors can stick — Simulation time after which the S contact can stick closed

1 s (default) | positive scalar

Simulation time after which the **S** contact can stick closed for a C-S stuck closed fault.

Dependencies

This parameter is visible only if either one of these two sets of conditions is met:

Condition Set One

- In the **Main** settings, the **Control port** parameter is set to PS.
- In the **Faults** settings:
 - The **Enable faults** parameter is set to Yes.
 - The **Switch fault** parameter is set to C-S stuck closed.
 - The **Enable temporal fault trigger** parameter is set to Yes.

Condition Set Two

- In the **Main** settings, the **Control port** parameter is set to Electrical.
- In the **Faults** settings:
 - The **Enable faults** parameter is set to Yes.
 - The **Fault type** parameter is set to Switch fault.
 - The **Switch fault** parameter is set to C-S stuck closed.
 - The **Enable temporal fault trigger** parameter is set to Yes.

For more information, see “Control port” on page 1-0 and Faults Parameter Dependencies.

Simulation time after which C can be open circuit — Simulation time after which the relay can be faulted to the open-circuit state

1 s (default) | positive scalar

Simulation time after which, for the C open circuit (no path to S) fault, the relay can be faulted to the open-circuit state.

Dependencies

This parameter is visible only if either one of these two sets of conditions is met:

Condition Set One

- In the **Main** settings, the **Control port** parameter is set to PS.
- In the **Faults** settings:
 - The **Enable faults** parameter is set to Yes.
 - The **Switch fault** parameter is set to C open circuit (no path to S).
 - The **Enable temporal fault trigger** parameter is set to Yes.

Condition Set Two

- In the **Main** settings, the **Control port** parameter is set to Electrical.
- In the **Faults** settings:
 - The **Enable faults** parameter is set to Yes.
 - The **Fault type** parameter is set to Switch fault.
 - The **Switch fault** parameter is set to C open circuit (no path to S).
 - The **Enable temporal fault trigger** parameter is set to Yes.

For more information, see “Control port” on page 1-0 and Faults Parameter Dependencies.

Simulation time for fault event — Simulation time for winding fault or degraded resistance fault

1 s (default) | nonnegative scalar

Simulation time after which a fault can occur for either a Degraded contact resistance or a Winding failed open circuit fault.

Dependencies

This parameter is visible only if either one of these three sets of conditions is met:

Condition Set One

- In the **Main** settings, the **Control port** parameter is set to PS.
- In the **Faults** settings:
 - The **Enable faults** parameter is set to Yes.
 - The **Switch fault** parameter is set to Degraded contact resistance.
 - The **Enable temporal fault trigger** parameter is set to Yes.

Condition Set Two

- In the **Main** settings, the **Control port** parameter is set to Electrical.
- In the **Faults** settings:
 - The **Enable faults** parameter is set to Yes.
 - The **Fault type** parameter is set to Switch fault.
 - The **Switch fault** parameter is set to Degraded contact resistance.
 - The **Enable temporal fault trigger** parameter is set to Yes.

Condition Set Three

- In the **Main** settings, the **Control port** parameter is set to Electrical.
- In the **Faults** settings:
 - The **Enable faults** parameter is set to Yes.
 - The **Fault type** parameter is set to Winding failed open circuit.
 - The **Enable temporal fault trigger** parameter is set to Yes.

For more information, see “Control port” on page 1-0 and Faults Parameter Dependencies.

Enable behavioral fault trigger – Whether to enable a behavioral fault trigger

No (default) | Yes

Whether to enable a behavioral fault trigger.

Dependencies

This parameter is visible only if the **Enable faults** parameter is set to Yes.

If this parameter is set to Yes, related parameters become visible.

For more information, see Faults Parameter Dependencies.

Maximum permissible load current – Maximum permissible load current

inf A (default) | positive scalar

Upper load-current threshold for degraded contact resistance and open-circuit winding faults.

Dependencies

This parameter is visible only if either one of these two sets of conditions is met:

Condition Set One

- In the **Main** settings, the **Control port** parameter is set to PS.
- In the **Faults** settings:
 - The **Enable faults** parameter is set to Yes.
 - The **Enable behavioral fault trigger** parameter is set to Yes.

Condition Set Two

- In the **Main** settings, the **Control port** parameter is set to `Electrical`.
- In the **Faults** settings:
 - The **Enable faults** parameter is set to `Yes`.
 - The **Fault type** parameter is set to `Switch fault`.
 - The **Enable behavioral fault trigger** parameter is set to `Yes`.

For more information, see “Control port” on page 1-0 and Faults Parameter Dependencies.

Maximum permissible winding voltage – Maximum permissible winding voltage

`inf V (default) | positive scalar`

Maximum voltage for the relay winding, above which a fault may be triggered.

Dependencies

This parameter is visible only if:

- In the **Main** settings, the **Control port** parameter is set to `Electrical`.
- In the **Faults** settings:
 - The **Enable faults** parameter is set to `Yes`.
 - The **Fault type** parameter is set to `Winding failed open circuit`.
 - The **Enable behavioral fault trigger** parameter is set to `Yes`.

For more information, see “Control port” on page 1-0 and Faults Parameter Dependencies.

Number of events to fail when exceeding voltage – Number of events to fail when exceeding voltage

`1 (default) | positive scalar integer`

Number of times the relay must exceed the winding voltage threshold before a `Winding failed open circuit` fault is triggered.

Dependencies

This parameter is visible only if:

- In the **Main** settings, the **Control port** parameter is set to `Electrical`.
- In the **Faults** settings:
 - The **Enable faults** parameter is set to `Yes`.
 - The **Fault type** parameter is set to `Winding failed open circuit`.
 - The **Enable behavioral fault trigger** parameter is set to `Yes`.

For more information, see “Control port” on page 1-0 and Faults Parameter Dependencies.

Maximum permissible winding current – Maximum permissible winding current

`inf A (default) | positive scalar`

Winding current threshold for triggering a behavioral `Winding failed open circuit` fault.

Dependencies

This parameter is visible only if:

- In the **Main** settings, the **Control port** parameter is set to Electrical.
- In the **Faults** settings:
 - The **Enable faults** parameter is set to Yes.
 - The **Fault type** parameter is set to Winding failed open circuit.
 - The **Enable behavioral fault trigger** parameter is set to Yes.

For more information, see “Control port” on page 1-0 and Faults Parameter Dependencies.

Time to fail when exceeding current – Time to fail when exceeding current

1 s (default) | positive scalar

Amount of time that the load or winding current must continuously exceed the maximum permissible current before a behavioral fault is triggered.

Dependencies

This parameter is visible only if both of these conditions are met:

- The **Enable faults** parameter is set to Yes.
- The **Enable behavioral fault trigger** parameter is set to Yes.

For more information, see “Control port” on page 1-0 and Faults Parameter Dependencies.

Extended Capabilities

C/C++ Code Generation

Generate C and C++ code using Simulink® Coder™.

See Also

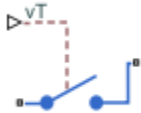
SPDT Relay | SPST Switch (Three-Phase) | Switch

Introduced in R2019b

SPST Switch

Single-pole single-throw switch

Library: Simscape / Electrical / Switches & Breakers



Description

The SPST Switch block models a single-pole single-throw switch:

- When the switch is open, port **p** is connected to port **n** through a resistance with value equal to the reciprocal of the **Open conductance** parameter value.
- When the switch is closed, port **p** is connected to port **n** through a resistance with value equal to the **Closed resistance** parameter value.



If the **Threshold width** parameter is set to zero, the switch is closed if the voltage presented at the **vT** control port exceeds the value of the **Threshold** parameter.

If the **Threshold width** parameter is greater than zero, then switch conductance G varies smoothly between off-state and on-state values:

$$G = \frac{x}{R_{closed}} + (1 - x)G_{open}$$

$$\lambda = \frac{vT - \text{Threshold}}{\text{Threshold width}}$$

$$x = \begin{cases} 0 & \text{for } \lambda \leq 0 \\ 3\lambda^2 - 2\lambda^3 & \text{for } 0 < \lambda < 1 \\ 1 & \text{for } \lambda \geq 1 \end{cases}$$

The block uses the function $3\lambda^2 - 2\lambda^3$ because its derivative is zero for $\lambda = 0$ and $\lambda = 1$.

Defining a small positive **Threshold width** can help solver convergence in some models, particularly if the control port signal vT varies continuously as a function of other network variables. However, defining a nonzero threshold width precludes the solver making use of switched linear optimizations. Therefore, if the rest of your network is switched linear, set **Threshold width** to zero.

Optionally, you can add a delay between the point at which the voltage at **vT** passes the threshold and the switch opening or closing. To enable the delay, on the **Dynamics** tab, set the **Model dynamics** parameter to Model turn-on and turn-off times.

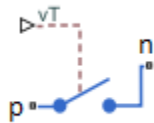
Modeling Variants

The block provides two modeling variants. To select the desired variant, right-click the block in your model. From the context menu, select **Simscape > Block choices**, and then one of these variants:

- **PS control port** — The block contains a physical signal port that is associated with the threshold voltage. This variant is the default.
- **Electrical control port** — The block contains electrical conserving ports that are associated with the threshold voltage.

Ports

Refer to the figure for port locations.



Input

vT — Switch control port

physical signal

Physical port associated with the signal that opens and closes the switch.

Dependencies

This port is visible only when **Block Choice** is set to `PS control port`.

Conserving

p — Electrical port

electrical

Electrical conserving port.

n — Electrical port

electrical

Electrical conserving port.

+ — Electrical port

electrical

Electrical conserving port for the positive voltage associated with opening and closing the switch.

Dependencies

This port is visible only when **Block Choice** is set to `Electrical control port`.

- — Electrical port

electrical

Electrical conserving port for the negative voltage associated with opening and closing the switch.

Dependencies

This port is visible only when **Block Choice** is set to `Electrical control port`.

Parameters**Main****Closed resistance — Closed resistance**

0.01 Ohm (default) | positive scalar

Resistance between the **p** port and **n** when the switch is closed. The value must be greater than zero.

Open conductance — Open conductance

1e-6 S (default) | positive scalar

Conductance between the **p** port and **n** when the switch is open. The value must be greater than zero.

Threshold — Threshold voltage

0.5 V (default)

The threshold voltage above which the switch will turn on.

Threshold width — Threshold width

0 V (default)

The minimum voltage increase above the threshold value that will move the switch from fully open to fully closed.

Dynamics**Model dynamics — Model dynamics**

No dynamics (default) | Model turn-on and turn-off times

Select whether the block models a switching delay:

- **No dynamics** — Do not model the delay. This is the default option.
- **Model turn-on and turn-off times** — Use additional parameters to model a delay between the point at which the voltage at **vT** or **+** and **-** passes the threshold and the switch opening or closing.

Turn-on delay — Turn-on delay

1e-3 (default) | positive scalar

Time between the input voltage exceeding the threshold voltage and the switch closing. The value must be greater than zero.

Dependencies

This parameter is visible only when you select `Model turn-on and turn-off times` for the **Model dynamics** parameter.

Turn-off delay — Turn-off delay

1e-3 (default) | positive scalar

Time between the input voltage falling below the threshold voltage and the switch opening. The value must be greater than zero.

Dependencies

This parameter is visible only when you select `Model` `turn-on` and `turn-off` times for the **Model dynamics** parameter.

Initial input value, vT — Initial input value, vT

0 (default)

The value of the physical signal input vT at time zero. This value is used to initialize the delayed control voltage parameter internally.

Dependencies

This parameter is visible only when you select `Model` `turn-on` and `turn-off` times for the **Model dynamics** parameter.

Extended Capabilities**C/C++ Code Generation**

Generate C and C++ code using Simulink® Coder™.

See Also

[DPDT Switch](#) | [DPST Switch](#) | [SPDT Switch](#) | [SPDT Switch \(Three-Phase\)](#) | [SPST Switch \(Three-Phase\)](#)

Topics

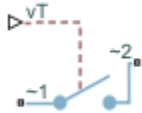
“Switch Between Physical Signal and Electrical Ports”

Introduced in R2012b

SPST Switch (Three-Phase)

Three-phase single-pole single-throw switch

Library: Simscape / Electrical / Switches & Breakers



Description

The SPST Switch (Three-Phase) block models a three-phase single-throw switch that uses an external signal to connect each phase of port ~1 with the corresponding phase of port ~2 via internal resistance.

The table shows how the external signal vT controls the block behavior.

Condition	Block Behavior	Resistance Parameter Used
$vT \leq \text{Threshold}$	The switch is open. Each phase in the composite three-phase port ~1 connects to the corresponding phase in the port ~2 via large internal resistance.	Open conductance
$vT > \text{Threshold}$	The switch is closed. Each phase in the composite three-phase port ~1 connects to the corresponding phase in the port ~2 via small internal resistance.	Closed resistance

Ports

Input

vT — Control port

physical signal

Physical control port.

Dependencies

This port is visible only when **Block Choice** is set to Expanded three-phase ports | PS control port or Composite three-phase ports | PS control port.

Conserving

~1 — Expandable three-phase port

electrical

Expandable three-phase electrical conserving port.

~2 — Expandable three-phase port

electrical

Expandable three-phase electrical conserving port.

vT — Control port

electrical

Electrical conserving control port.

Dependencies

This port is visible only when **Block Choice** is set to Expanded three-phase ports | Electrical control port or Composite three-phase ports | Electrical control port.

Parameters**Closed resistance — Closed resistance**

0.001 Ohm (default)

Resistance between ports ~1 and ~2 when the switch is closed.

Open conductance — Open conductance

1e-6 1/Ohm (default)

Conductance between ports ~1 and ~2 when the switch is open.

Threshold — Threshold

0.5 V (default)

Threshold voltage for the control port vT. When the voltage is above the threshold, the switch is closed.

Extended Capabilities**C/C++ Code Generation**

Generate C and C++ code using Simulink® Coder™.

See Also

DPDT Switch | DPST Switch | SPDT Switch | SPDT Switch (Three-Phase) | SPST Switch

Topics

“Expand and Collapse Three-Phase Ports on a Block”
 “Switch Between Physical Signal and Electrical Ports”

Introduced in R2013b

SRM Commutation Logic

Commutation logic for switched reluctance machines

Library: Simscape / Electrical / Control / SRM Control



Description

The SRM Commutation Logic block provides a logic signal for the Switched Reluctance Machine (SRM) block. The signal indicates when to switch the supply for each phase on and off.

The commutation signal for each phase is:

- 1 if $\theta_{on} \leq \theta_{ph} \leq \theta_{off}$.
- 0 if $\theta_{ph} < \theta_{on}$.
- 0 if $\theta_{ph} > \theta_{off}$.

where:

- θ_{ph} is the phase angle in the interval $[0, \beta]$.
- β is the torque capability angle.
- θ_{on} is the switch-on angle.
- θ_{off} is the switch-off angle.

Ports

Input

theta — Phase angle

scalar

Phase angle, θ_{ph} , in the interval $[0, \beta]$.

Data Types: single | double

thetaON — Switch-on angle

scalar

Lower threshold for turning on the switch.

Data Types: single | double

thetaOFF — Switch-off angle

scalar

Upper threshold for turning off the switch.

Data Types: `single` | `double`

Output

abc0n0ff – Commutation signal

vector

Commutation signal for each phase: 1 for the switch-on condition and 0 for switch-off condition

Data Types: `single` | `double`

Parameters

Torque capability angle (rad) – Torque angle

$\pi/2$ (default)

The torque production capability of one rotor pole, in radians.

Sample time (-1 for inherited) – Block sample time

-1 (default) | positive scalar

Time, in s, between consecutive block executions. During execution, the block produces outputs and, if appropriate, updates its internal state. For more information, see “What Is Sample Time?” and “Specify Sample Time”.

If this block is inside a triggered subsystem, inherit the sample time by setting this parameter to -1. If this block is in a continuous variable-step model, specify the sample time explicitly using a positive scalar.

Extended Capabilities

C/C++ Code Generation

Generate C and C++ code using Simulink® Coder™.

See Also

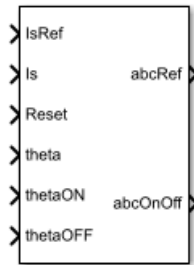
SRM Current Controller | SRM Current Controller with PWM Generation | SRM Hysteresis Current Controller | Switched Reluctance Machine

Introduced in R2018a

SRM Current Controller

Current control for switched reluctance machines

Library: Simscape / Electrical / Control / SRM Control



Description

The SRM Current Controller block performs discrete-time proportional-integral (PI) current control for the Switched Reluctance Machine (SRM) block.

Equations

To determine the duty cycle, the block implements discrete-time proportional-integral (PI) current control in accordance with this equation.

$$D = \left(K_p + K_i \frac{T_s z}{z-1} \right) (I_{s_ref} - I_s)$$

Where:

- D is the duty cycle.
- K_p is the proportional gain.
- K_i is the integral gain.
- T_s is the sample time.
- I_{s_ref} is the reference current.
- I_s is the measured current.

To obtain control signals for the three-phases, the block then multiplies the duty cycle with the commutation signals. The resulting three control signals are normalized over the interval [0, 1].

Ports

Input

IsRef — Reference current

scalar

Reference current for control.

Data Types: single | double

Is — Measured current

scalar

Measured current.

Data Types: `single` | `double`**Reset — Integrator reset**

scalar

External reset signal (rising edge) for the integrator.

Data Types: `Boolean`**theta — Theta-rotor angle**

scalar

Rotor angle in the interval $[0, \beta]$.Data Types: `single` | `double`**theta0N — Switch-on angle**

scalar

Angle for switching on the phase supply.

Data Types: `single` | `double`**theta0FF — Switch-off angle**

scalar

Angle for switching on the phase supply.

Data Types: `single` | `double`**Output****abcRef — Reference voltage**

vector

Control signal normalized in the interval $[0, 1]$.Data Types: `single` | `double`**abc0n0ff — Switch signal**

vector

Switch signal for the a -, b -, and c -phases. 1 for the switch-on condition and 0 for switch-off conditionData Types: `single` | `double`**Parameters****Proportional gain — Controller proportional gain, K_p**

1 (default) | positive scalar

Proportional gain, K_p , of the controller.

Integral gain – Integral gain, K_i

5 (default) | positive scalar

Integral gain, K_i , of the controller.**Anti-windup gain – Anti-windup gain, K_{aw}**

1 (default) | positive scalar

Anti-windup gain, K_{aw} , of the controller.**Sample time (-1 for inherited) – Block sample time**

-1 (default) | positive scalar

Time, in s, between consecutive block executions. During execution, the block produces outputs and, if appropriate, updates its internal state. For more information, see “What Is Sample Time?” and “Specify Sample Time”.

If this block is inside a triggered subsystem, inherit the sample time by setting this parameter to -1. If this block is in a continuous variable-step model, specify the sample time explicitly using a positive scalar.

References

- [1] Saha, N. and S. Panda. "Speed control with torque ripple reduction of switched reluctance motor by Hybrid Many Optimizing Liaison Gravitational Search technique." *Engineering Science and Technology*. Vol 20 (2017): 909-921.

Extended Capabilities**C/C++ Code Generation**

Generate C and C++ code using Simulink® Coder™.

See Also

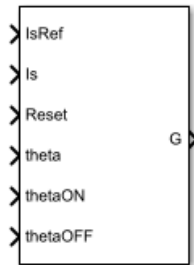
SRM Commutation Logic | SRM Current Controller with PWM Generation | SRM Hysteresis Current Controller | Switched Reluctance Machine

Introduced in R2018a

SRM Current Controller with PWM Generation

Current controller with internal pulse width modulation for switched reluctance machines

Library: Simscape / Electrical / Control / SRM Control

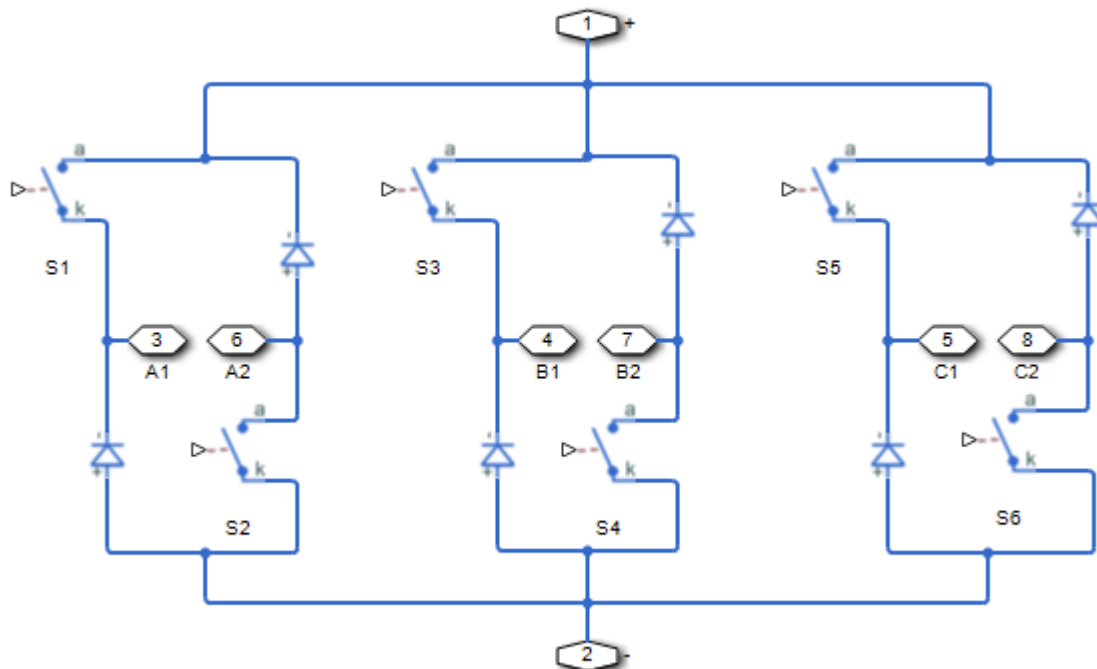


Description

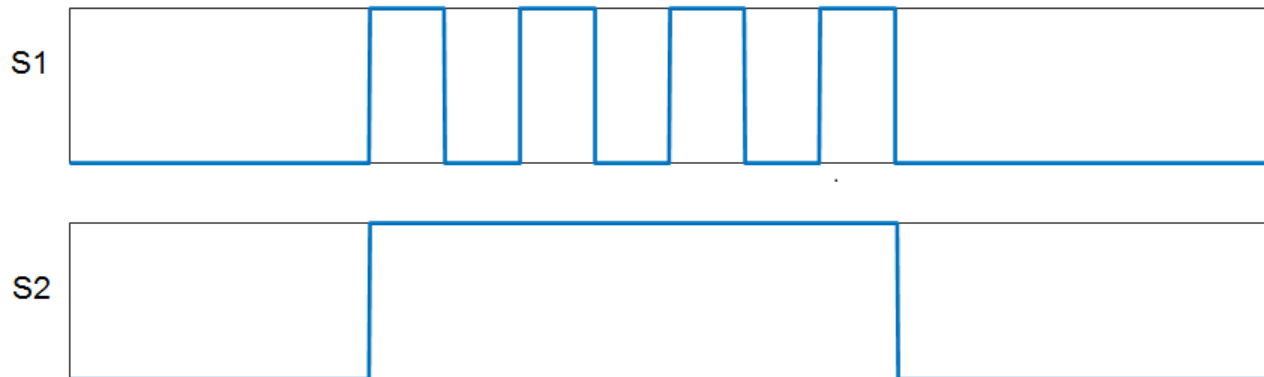
The SRM Current Controller with PWM Generation block performs discrete-time proportional-integral (PI) current control for the Switched Reluctance Machine (SRM) block. The block includes pulse width modulation (PWM).

PWM Generation Model

The figure shows the converter structure for an SRM.



As the figure shows, the PWM generation signal is for high side switching devices.



When the control signal is greater than the carrier counter value, the PWM generator outputs 1. Otherwise, it outputs 0.

Equations

To determine the duty cycle, the block implements PI current control in the rotor reference frame in accordance with this equation.

$$D = \left(K_p + K_i \frac{T_s z}{z-1} \right) (I_{s_ref} - I_s)$$

Where:

- D is the duty cycle.
- K_p is the proportional gain.
- K_i is the integral gain.
- T_s is the sample time.
- I_{s_ref} is the reference current.
- I_s is the measured current.

To obtain control signals for the three-phases, the block then multiplies the duty cycle with the commutation signals. The resulting three control signals are normalized over the interval [0, 1].

Ports

Input

IsRef – Reference current

scalar

Reference current for control.

Data Types: `single` | `double`

Is – Measured current

scalar

Actual current.

Data Types: single | double

Reset — Integrator reset

scalar

External reset signal (rising edge) for the integrator.

Data Types: Boolean

theta — Theta-rotor angle

scalar

Rotor angle in the interval $[0, \beta]$.

Data Types: single | double

theta0N — Switch-on angle

scalar

Angle for switching on the phase supply.

Data Types: single | double

theta0FF — Switch-off angle

scalar

Angle for switching on the phase supply.

Data Types: single | double

Output

G — Gate control

vector

Pulse waveforms that determine switching behavior.

Data Types: single | double

Parameters

Control Parameters

Proportional gain — Controller proportional gain, K_p

1 (default) | positive scalar

Proportional gain, K_p , of the controller.

Integral gain — Integral gain, K_i

5 (default) | positive scalar

Integral gain, K_i , of the controller.

Anti-windup gain — Anti-windup gain, K_{aw}

1 (default) | positive scalar

Anti-windup gain, K_{aw} , of the controller.

Sample time (-1 for inherited) – Block sample time

-1 (default) | positive scalar

Time, in s, between consecutive block executions. During execution, the block produces outputs and, if appropriate, updates its internal state. For more information, see “What Is Sample Time?” and “Specify Sample Time”.

If this block is inside a triggered subsystem, inherit the sample time by setting this parameter to -1. If this block is in a continuous variable-step model, specify the sample time explicitly using a positive scalar.

PWM Generator**Carrier counter – Carrier counter model**

Up (default) | Down | Up-Down

Use the carrier counter strategy to change the initial behavior of the PWM output:

- Up counter — PWM output begins at the start of the on state.
- Down counter — PWM output begins at the start of the off state.
- Up-down counter — PWM output begins in the middle of the on state.

Timer period (s) – PWM timer period

0.001 (default) | positive scalar

Pulse width modulation timer period, T_{per} , in seconds.

Fundamental sample time (s) – Sample time for PWM generation

0.0001 (default) | positive scalar

Time, in s, between consecutive PWM generator executions. During execution, the block produces PWM output and, if appropriate, updates its internal state. For more information, see “What Is Sample Time?” and “Specify Sample Time”.

To ensure adequate resolution in the generated PWM signal, set the fundamental sample time so that $0 < T_{s_pwm} \leq 10T_{per}$, where:

- T_{s_pwm} is the **Fundamental sample time (s)**.
- T_{per} is the **Timer period (s)**.

References

- [1] Saha, N. and S. Panda. "Speed control with torque ripple reduction of switched reluctance motor by Hybrid Many Optimizing Liaison Gravitational Search technique." *Engineering Science and Technology*. Vol 20 (2017): 909-921.

Extended Capabilities**C/C++ Code Generation**

Generate C and C++ code using Simulink® Coder™.

See Also

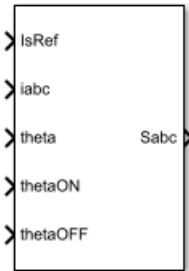
[SRM Commutation Logic](#) | [SRM Current Controller](#) | [SRM Hysteresis Current Controller](#) | [Switched Reluctance Machine](#)

Introduced in R2018a

SRM Hysteresis Current Controller

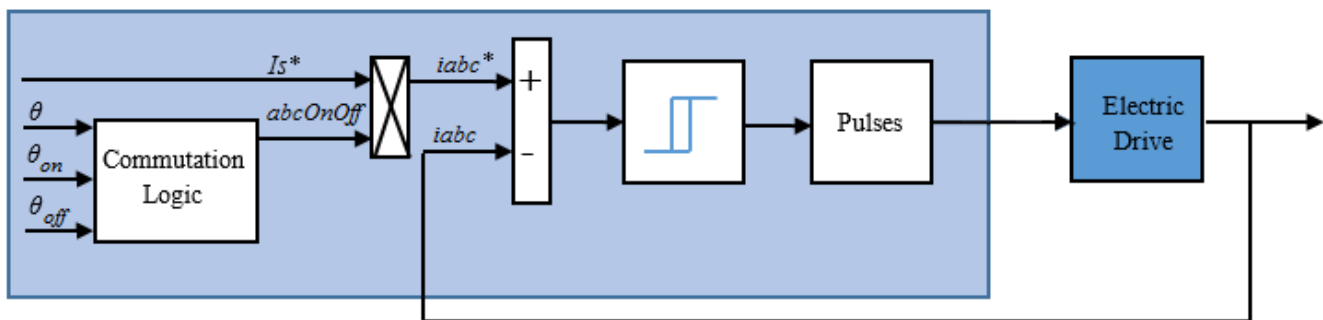
Hysteresis current control for switched reluctance machines

Library: Simscape / Electrical / Control / SRM Control



Description

The SRM Hysteresis Current Controller block implements hysteresis current control for the Switched Reluctance Machine (SRM) block.



Ports

Input

IsRef — Reference current

scalar

Reference current for control.

Data Types: single | double

iabc — Measured current

vector

Measured three-phase current.

Data Types: single | double

Reset — Integrator reset

scalar

External reset signal (rising edge) for the integrator.

Data Types: Boolean

theta — Theta-rotor angle

scalar

Rotor angle in the interval $[0, \beta]$.

Data Types: single | double

theta0N — Switch-on angle

scalar

Angle for switching on the phase supply.

Data Types: single | double

theta0FF — Switch-off angle

scalar

Angle for switching on the phase supply.

Data Types: single | double

Output

Sabc — Voltage switch signal

vector | 0 or 1

Signal for switching on and off the three-phase voltage.

Data Types: single | double

Parameters

Torque capability angle (rad) — Torque capability angle

$\pi/2$ (default) | $[0, 2*\pi/\text{number of rotor poles}]$

The torque production capability of one rotor pole, in radians.

Hysteresis band (A) — Hysteresis bandwidth

5 (default)

Hysteresis band, h , for the current controller. The switch-on point is $h/2$ and the switch-off point is $-h/2$.

Sample time (-1 for inherited) — Block sample time

-1 (default) | positive scalar

Time, in s, between consecutive block executions. During execution, the block produces outputs and, if appropriate, updates its internal state. For more information, see “What Is Sample Time?” and “Specify Sample Time”.

If this block is inside a triggered subsystem, inherit the sample time by setting this parameter to -1. If this block is in a continuous variable-step model, specify the sample time explicitly using a positive scalar.

Extended Capabilities

C/C++ Code Generation

Generate C and C++ code using Simulink® Coder™.

See Also

SRM Commutation Logic | SRM Current Controller | SRM Current Controller with PWM Generation | Switched Reluctance Machine

Introduced in R2018a

Stair Generator

Discrete-time or continuous-time stair signal generator

Library: Simscape / Electrical / Control / General Control



Description

The Stair Generator block generates a stair signal based on the values specified in the **Time (s)** and **Amplitude** parameters.

The block can output a repeating stair pattern or execute the pattern only once by keeping the last amplitude active for all subsequent times.

Ports

Output

Port_1 — Stair signal

Simulink signal

Stair signal, returned as a Simulink output signal.

Data Types: `single` | `double` | `int8` | `int16` | `int32` | `int64` | `uint8` | `uint16` | `uint32` | `uint64`

Parameters

Main

Time (s) — Transition times

[0.5 1 3 3.5] (default) | row vector of nonnegative values

Transition times at which the output changes to the value specified in the **Amplitude** parameter, in seconds. The value of this parameter must be strictly ascending.

Amplitude — Amplitudes of stair signal values

[1 -1 2.5 0] (default) | row vector

Amplitudes of the stair signal at the time specified by the **Time (s)** parameter. This vector must have the same number of elements as the **Time (s)** parameter.

Sample time (-1 for inherited) — Block sample time

-1 (default) | 0 | positive scalar

Time between consecutive block executions. During execution, the block produces outputs and, if appropriate, updates its internal state. For more information, see “What Is Sample Time?” and “Specify Sample Time”.

For inherited discrete-time operation, specify -1. For discrete-time operation, specify a positive integer. For continuous-time operation, specify 0.

If this block is in a masked subsystem, or other variant subsystem that allows you to switch between continuous operation and discrete operation, promote the sample time parameter. Promoting the sample time parameter ensures correct switching between the continuous and discrete implementations of the block. For more information, see “Promote Parameter to Mask”.

Repeat stair pattern indefinitely — Stair pattern repetition

off (default) | on

Whether to indefinitely repeat the stair pattern. If you select this parameter, the output repeats the stair pattern defined by the **Time (s)** and **Amplitude** parameters indefinitely.

If you clear this parameter, the output executes the stair pattern only once and then keeps the last amplitude active for all subsequent times.

Signal Attributes

Output data type — Specify the output data type

double (default) | Inherit: auto | Inherit: Inherit via internal rule | Inherit: Inherit via back propagation | single | int8 | uint8 | int16 | uint16 | int32 | uint32 | int64 | uint64 | <data type expression>

Data type for the output. The type can be inherited, specified directly, or expressed as a data type object such as Simulink.NumericType.

When you select an inherited option, the block exhibits these behaviors:

- **Inherit: Inherit via internal rule** — Simulink chooses a data type to balance numerical accuracy, performance, and generated code size, while taking into account the properties of the embedded target hardware. If you change the embedded target settings, the data type selected by the internal rule might change. It is not always possible for the software to optimize efficiency and numerical accuracy at the same time.
- **Inherit: Inherit via back propagation** — Simulink automatically determines the output data type of the block during data type propagation (see “Data Type Propagation”). In this case, the block uses the data type of a downstream block or signal object.
- **Inherit: auto** — Use a rule that inherits a data type.

For more information, see “Control Signal Data Types”.

Programmatic Use

Block Parameter: OutDataTypeStr

Type: character vector

Values: 'Inherit: auto' | 'Inherit: Inherit via internal rule' | 'Inherit: Inherit via back propagation' | 'single' | 'double' | 'int8' | 'uint8' | 'int16' | 'uint16' | 'int32' | 'uint32' | 'int64' | 'uint64' | '<data type expression>'

Default: 'Inherit: Inherit via internal rule'

Extended Capabilities

C/C++ Code Generation

Generate C and C++ code using Simulink® Coder™.

See Also

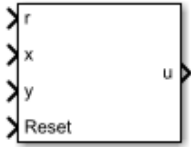
Sine Wave Generator (Three-Phase)

Introduced in R2020a

State-Feedback Controller

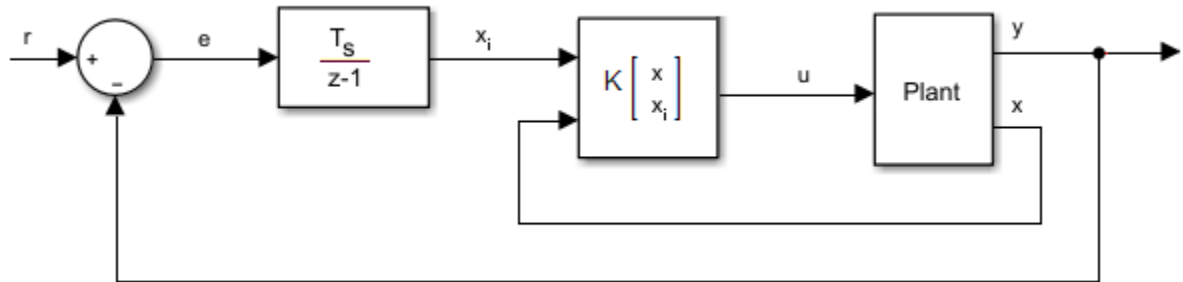
Discrete-time state-feedback controller with integral action

Library: Simscape / Electrical / Control / General Control



Description

The State-Feedback Controller block implements a discrete-time state-feedback controller with integral action. Use this block to control linear systems with single or multiple inputs and single or multiple outputs. The integral action serves to eliminate steady-state error in the controlled outputs. You can define the controller using a precomputed optimal gain or use the state-space model of your system to generate this gain using pole placement.



Equations

The integral of the tracking error, x_i , is an additional state that ensures zero steady-state error for the closed-loop system. The extended state vector is

$$x_e = \begin{bmatrix} x \\ x_i \end{bmatrix},$$

Where:

- x is the state vector.
- x_i is the integral of the tracking error.
- x_e is the extended state vector.

Therefore, the control action is

$$u = Kx_e,$$

Where:

- K is the feedback matrix, that is, the pole placement.
- u is the controller output.

Assumptions

System state measurement and estimation occur outside the controller.

Ports

Input

r — Plant reference

scalar

Plant system reference signal.

Data Types: `single` | `double`

x — State vector

vector

Measured or estimated system state vector.

Data Types: `single` | `double`

Reset — Integrator reset

scalar

External reset signal (rising edge) for the integrator.

Data Types: `Boolean`

y — Plant output

scalar

Plant system output signal.

Data Types: `single` | `double`

Output

u — Controller output

scalar

Control system output signal.

Data Types: `single` | `double`

Parameters

State-feedback design — Controller generation

State-feedback gain (default) | Desired eigenvalues

Select the strategy for parameterizing controller gain:

- `State-feedback gain` — Specify the controller gain directly

- **Desired eigenvalues** — Specify the plant model and desired eigenvalues from which to generate the controller gain

State-feedback parameterization — State-feedback parameterization

Discrete-time (default) | Continuous-time

Select the strategy for parameterizing the state-space matrices and desired poles for the controller. The block implementation is discrete regardless of this parameterization.

Dependencies

To enable this parameter, set **State-feedback design** to **Desired eigenvalues**.

Controller matrix — Controller matrix

[1 1] (default) | matrix

Controller feedback matrix. To determine the controller matrix, if you have a license for Control System Toolbox, use the `lqr` or `lqi` function.

Dependencies

To enable this parameter, set **State-feedback design** to **State-feedback gain**.

Discrete-time A matrix — A matrix in discrete time

1 (default) | real scalar or matrix

State matrix of the discrete-time state-space model. The A matrix must be square, with the number of rows and columns equal to the order of the system.

Dependencies

To enable this parameter, set **State-feedback parameterization** to **Discrete-time**.

Discrete-time B matrix — B matrix in discrete time

1 (default) | real scalar or matrix

Input matrix of the discrete-time state-space model. The B matrix must have the number of rows equal to the order of the system, and the number of columns equal to the number of system inputs.

Dependencies

To enable this parameter, set **State-feedback parameterization** to **Discrete-time**.

Discrete-time C matrix — C matrix in discrete time

1 (default) | real scalar or matrix

Output matrix of the discrete-time state-space model. The C matrix must have the number of rows equal to the number of outputs of the system, and the number of columns equal to the order of the system.

Dependencies

To enable this parameter, set **State-feedback parameterization** to **Discrete-time**.

Discrete-time D matrix — D matrix in discrete time

1 (default) | real scalar or matrix

Feedthrough matrix of the discrete-time state-space model. The D matrix must have the number of rows equal to the number of system outputs, and the number of columns equal to the number of system inputs.

Dependencies

To enable this parameter, set **State-feedback parameterization** to Discrete-time.

Continuous-time A matrix — A matrix in continuous time

1 (default) | real scalar or matrix

State matrix of the continuous-time state-space model. The A matrix must be square, with the number of rows and columns equal to the order of the system.

Dependencies

To enable this parameter, set **State-feedback parameterization** to Continuous-time.

Continuous-time B matrix — B matrix in continuous time

1 (default) | real scalar or matrix

Input matrix of the continuous-time state-space model. The B matrix must have the number of rows equal to the order of the system, and the number of columns equal to the number of system inputs.

Dependencies

To enable this parameter, set **State-feedback parameterization** to Continuous-time.

Continuous-time C matrix — C matrix in continuous time

1 (default) | real scalar or matrix

Output matrix of the continuous-time state-space model. The C matrix must have the number of rows equal to the number of outputs of the system, and the number of columns equal to the order of the system.

Dependencies

To enable this parameter, set **State-feedback parameterization** to Continuous-time.

Continuous-time D matrix — D matrix in continuous time

1 (default) | real scalar or matrix

Feedthrough matrix of the continuous-time state-space model. The D matrix must have the number of rows equal to the number of system outputs, and the number of columns equal to the number of system inputs.

Dependencies

To enable this parameter, set **State-feedback parameterization** to Continuous-time.

Discretization sample time — Discretization sample time

0.1 (default) | positive real number

Value used to discretize the state space matrices and also approximate the discrete-time eigenvalues.

Dependencies

To enable this parameter, set **State-feedback parameterization** to Continuous-time and **Sample time (-1 for inherited)** to -1.

Desired eigenvalues (discrete) – Observer eigenvalues

0 (default) | real vector

Specify the location of the eigenvalues to lie within the unit circle. The controller gain is then calculated based on these eigenvalues. The size of the vector must be equal to the system order plus the number of outputs.

Control action upper limit – u_{max}

5 (default) | scalar greater than the value of the **Control action lower limit** parameter

Upper limit for the control output signal.

Control action lower limit – u_{min}

0 (default) | scalar

Lower limit for the control output signal.

Sample time (-1 for inherited) – Sampling interval

-1 (default) | default value or a positive number

Time interval between samples. If the block is inside a triggered subsystem, inherit the sample time by setting this parameter to -1. If this block is in a continuous variable-step model, specify the sample time explicitly. For more information, see “What Is Sample Time?” and “Specify Sample Time”.

Extended Capabilities

C/C++ Code Generation

Generate C and C++ code using Simulink® Coder™.

See Also

Blocks

RST Controller | Smith Predictor Controller

Introduced in R2017b

Stepper Motor

Stepper motor suitable for whole-, half- and micro-stepping representation

Library: Simscape / Electrical / Electromechanical / Reluctance & Stepper



Description

The Stepper Motor block represents a stepper motor. It uses the input pulse trains, A and B, to control the mechanical output according to the following equations:

$$e_A = -K_m \omega \sin(N_r \theta)$$

$$e_B = K_m \omega \cos(N_r \theta)$$

$$\frac{di_A}{dt} = (v_A - Ri_A - e_A)/L$$

$$\frac{di_B}{dt} = (v_B - Ri_B - e_B)/L$$

$$J \frac{d\omega}{dt} + B\omega = T_e$$

$$T_e = -K_m \left(i_A - \frac{e_A}{R_m} \right) \sin(N_r \theta) + K_m \left(i_B - \frac{e_B}{R_m} \right) \cos(N_r \theta) - T_d \sin(4N_r \theta)$$

$$\frac{d\theta}{dt} = \omega$$

where:

- e_A and e_B are the back electromotive forces (emfs) induced in the A and B phase windings, respectively.
- i_A and i_B are the A and B phase winding currents.
- v_A and v_B are the A and B phase winding voltages.
- K_m is the motor torque constant.
- N_r is the number of teeth on each of the two rotor poles. The **Full step size** parameter is $(\pi/2)/N_r$.
- R is the winding resistance.
- L is the winding inductance.
- R_m is the magnetizing resistance.
- B is the rotational damping.
- J is the inertia.

- ω is the rotor speed.
- θ is the rotor angle.
- T_d is the detent torque amplitude.
- T_e is the electrical torque.

If the initial rotor is zero or some multiple of $(\pi/2)/N_r$, the rotor is aligned with the phase winding of pulse A. This happens when there is a positive current flowing from the **A+** to the **A-** ports and there is no current flowing from the **B+** to the **B-** ports.

Use the Stepper Motor Driver block to create the pulse trains for the Stepper Motor block.

The Stepper Motor block produces a positive torque acting from the mechanical **C** to **R** ports when the phase of pulse A leads the phase of pulse B.

Averaged Mode

If you set the **Simulation mode** parameter to **Averaged**, both for a Stepper Motor block and for the Stepper Motor Driver block that controls it, then the individual steps are not simulated. This can be a good way to speed up simulation. In Averaged mode, under nonslipping conditions, the motor and driver are represented by a second-order linear system that tracks the specified step rate. The demanded step rate is determined directly from voltage across **A+** and **A-**. So, for example, a voltage of +10 V across the **A+** and **A-** terminals is interpreted as a step rate demand of 10 steps per second. See the Stepper Motor Driver block reference page for more information on how to connect the driver block to your step angle controller.

Averaged mode includes a slip estimator to predict whether the stepper motor would have slipped if running in Stepping simulation mode. Slip is predicted if the motor torque exceeds the **Vector of maximum torque values** parameter value for longer than one step period, the step period being determined from the current step rate demand. Upon detecting slip, the simulation will proceed or stop with an error, according to the **Action on slipping** parameter value. If you choose the action that lets the simulation continue, note that simulation results may be incorrect. When slipping occurs, the torque generated by the motor is not generally the maximum available torque; the maximum torque is only achieved if the stepper controller detects slip and adjusts the step rate command accordingly.

The dynamics of the equivalent second-order system are determined from the values that you specify for the **Approximate total load inertia** and **Maximum step rate command** parameters. It is important that you set as accurate values as possible for these parameters, so that the step rate command is tracked, and the block does not generate false slipping warnings or errors.

If you run the motor in Averaged mode with the optional thermal ports exposed (see “Thermal Ports and Effects” on page 1-1903), then heat is added to the thermal ports, assuming that the windings are always powered even when the step rate command is zero. The block makes adjustments for half stepping and for reduced torque (and winding currents) at higher speeds. For these adjustments to be correct, the **Vector of maximum torque** parameter values must be correct. For half stepping, at zero speed the heat generated by the block is the average of that generated when stopped at a half step and at a full step.

To validate Averaged mode model configurations where you predict slip to occur, compare results with the same simulation performed in stepping mode.

Thermal Ports and Effects

The block has three optional thermal ports, one for each of the two windings and one for the rotor. These ports are hidden by default. To expose the thermal ports, right-click the block in your model, and then from the context menu select **Simscape > Block choices > Show thermal port**. This action displays the thermal ports on the block icon, and adds the **Temperature Dependence** and **Thermal Port** tabs to the block dialog box. These tabs are described further on this reference page.

Use the thermal ports to simulate the effects of copper resistance and iron losses that convert electrical power to heat. If you expose these ports, winding resistance is assumed linearly dependent on temperature, and is given by:

$$R = R_0 (1 + \alpha (T - T_0)) \quad (1-36)$$

where:

- R is the resistance at temperature T .
- R_0 is the resistance at the measurement (or reference) temperature T_0 . Specify the reference temperature using the **Measurement temperature** parameter.
- α is the resistance temperature coefficient, which you specify with the **Resistance temperature coefficients, [alpha_A alpha_B]** parameter. A typical value for copper is 0.00393/K.

The block calculates temperature of each of the windings and the rotor by

$$M \frac{dT}{dt} = Q$$

where

- M is the thermal mass. Specify this value for the windings using the **Winding thermal masses, [M_A M_B]** parameter, and for the rotor using the **Rotor thermal mass** parameter.
- T is the temperature. Specify the initial values for the windings using the **Winding initial temperatures, [T_A T_B]** parameter, and for the rotor using the **Rotor initial temperature** parameter.
- Q is the heat flow, which is calculated from the iron losses of the windings:

$$Q_A = i_a^2 R_A (1 - \rho_m / 100)$$

$$Q_B = i_b^2 R_B (1 - \rho_m / 100)$$

$$Q_R = Q_A (\rho_m / 100) + Q_B (\rho_m / 100)$$

where ρ_m is the percentage of magnetizing resistance associated with the rotor. Specify this percentage using the **Percentage of magnetizing resistance associated with the rotor** parameter.

Predefined Parameterization

There are multiple available built-in parameterizations for the Stepper Motor block.

This pre-parameterization data allows you to set up the block to represent a specific supplier component. To load a predefined parameterization, click on the "Select a predefined parameterization" hyperlink in the Stepper Motor block mask and select the specific part you want to upload from the list of available components.

Note Predefined parameterizations of Simscape components use available data sources for supplying parameter values. Engineering judgement and simplifying assumptions are used to fill in for missing data. As a result, deviations between simulated and actual physical behavior should be expected. To ensure requisite accuracy, you should validate simulated behavior against experimental data and refine component models as necessary.

Assumptions and Limitations

The model is based on the following assumptions:

- This model neglects magnetic saturation effects and any magnetic coupling between phases.
- When you select the **Start simulation from steady state** check box in the SimscapeSolver Configuration block, this block will not initialize an **Initial rotor angle** value between $-\pi$ and π .
- To use Averaged mode, the Stepper Motor block must be directly connected to a Stepper Motor Driver block also running in Averaged mode.
- The Averaged mode is an approximation, and exact step tracking compared to the Stepping mode should not be expected.
- Slip detection in Averaged mode is approximate, and depends on a good estimate for load inertia and maximum step rate. Incorrect values may result in false slip detection.
- When simulating slip in Averaged mode, it is assumed that the stepper motor controller adjusts the step rate command so as to achieve maximum possible torque.

Ports

Conserving

A+ — A-phase positive terminal

electrical

Electrical conserving port associated with the A-phase positive terminal.

A- — A-phase negative terminal

electrical

Electrical conserving port associated with the A-phase negative terminal.

B+ — B-phase positive terminal

electrical

Electrical conserving port associated with the B-phase positive terminal.

B- — B-phase negative terminal

electrical

Electrical conserving port associated with the B-phase negative terminal.

C — Machine case

mechanical rotational

Mechanical rotational conserving port connected to the motor case.

R — Machine rotor

mechanical rotational

Mechanical rotational conserving port connected to the rotor.

HA — Winding A thermal mass

thermal

Thermal conserving port associated with the thermal mass of winding A. For more information, see “Thermal Ports and Effects” on page 1-1903.

HB — Winding B thermal mass

thermal

Thermal conserving port associated with the thermal mass of winding B. For more information, see “Thermal Ports and Effects” on page 1-1903.

HR — Rotor thermal mass

thermal

Thermal conserving port associated with the thermal mass of the rotor. For more information, see “Thermal Ports and Effects” on page 1-1903.

Parameters**Electrical Torque****Simulation mode — Simulation mode**

Stepping (default) | Averaged

Use Averaged only if the block is connected directly to a Stepper Motor Driver block also running in Averaged mode.

Vector of rotational speeds — Rotor speeds

[0, 1000, 3000] rpm (default) | positive vector

Vector of rotational speeds at which to define maximum torque values, for slip prediction.

Dependencies

To enable this parameter, set **Simulation mode** to Averaged.

Vector of maximum torque values — Maximum torques

[2, 2, 1] N*m (default) | positive vector

Vector of maximum torque values, to be used for slip prediction with the **Vector of rotational speeds** parameter. These values are often given on a datasheet, and correspond to the supply voltage and stepping type (half step or full step) specified in the driver.

Dependencies

To enable this parameter, set **Simulation mode** to Averaged.

Action on slipping — Slip response

none (default) | warn | error

Select the action for the block to perform during simulation upon detecting slip:

- **none** — Continue simulation, limiting the load torque according to the **Vector of maximum torque values**.
- **warn** — Continue simulation, limiting the load torque according to the **Vector of maximum torque values**, and generate a warning that the rotor is slipping.
- **error** — Stop the simulation and generate an error message that the rotor is slipping.

If you choose an action that lets the simulation continue, simulation results might be incorrect. When slipping occurs, the motor does not always generate maximum torque. The maximum torque is only achieved if the stepper controller detects slip and adjusts the step rate command accordingly.

Dependencies

To enable this parameter, set **Simulation mode** to Averaged.

Approximate total load inertia — Total load inertia

1e-4 kg*m² (default) | positive number

Approximate total load inertia, including the rotor inertia. This value is used to help predict slip due to rapid acceleration demands.

Dependencies

To enable this parameter, set **Simulation mode** to Averaged.

Maximum step rate command — Maximum command frequency

10 Hz (default) | positive number

Maximum commanded step rate of the system. It is used to determine a suitable bandwidth for the second order system approximation to the stepper motor and driver.

Dependencies

To enable this parameter, set **Simulation mode** to Averaged.

Phase winding resistance — Phase resistance

0.55 Ohm (default) | positive number

Resistance of the A and B phase windings.

Dependencies

To enable this parameter, set **Simulation mode** to Stepping.

Phase winding inductance — Phase inductance

1.5e-3 Ohm (default) | positive number

Inductance of the A and B phase windings.

Dependencies

To enable this parameter, set **Simulation mode** to Stepping.

Motor torque constant — Torque constant

0.19 N*m/A (default) | positive number

Motor torque constant, K_m .

Dependencies

To enable this parameter, set **Simulation mode** to Stepping.

Detent torque — Torque variation amplitude

0 N*m (default) | positive number

Amplitude of the sinusoidal torque variation observed when rotating the shaft of the unpowered motor.

Dependencies

To enable this parameter, set **Simulation mode** to Stepping.

Magnetizing resistance — Phase magnetizing resistance

inf (default) | strictly positive number

Total magnetizing resistance seen from each of the phase windings. The value must be greater than zero. The default value is Inf, which implies that there are no iron losses.

Dependencies

To enable this parameter, set **Simulation mode** to Stepping.

Full step size — Step size

1.8 deg (default) | positive number

Step size when changing the polarity of either the A or B phase current.

Mechanical

Rotor inertia — Rotational inertia

4.5e-5 kg*m² (default) | zero or positive number

Conservative force resisting rotor acceleration.

Rotor damping — Rotational damping

8.0e-4 N*m/(rad/s) (default) | zero or positive number

Dissipative force resisting rotor speed.

Initial rotor speed — Initial speed

0 rpm (default) | real number

Speed of the rotor at the start of the simulation.

Initial rotor angle — Initial angle

0 rad (default) | real number

Angle of the rotor at the start of the simulation.

Temperature Dependence

This set of parameters appears only for blocks with exposed thermal ports. For more information, see “Thermal Ports and Effects” on page 1-1903.

Resistance temperature coefficients, [α_A α_B] – Temperature coefficients
[.00393, .00393] 1/K (default) | positive vector

Two-element row vector defining the coefficient α in the equation relating resistance to temperature, as described in “Thermal Ports and Effects” on page 1-1903. The first element corresponds to winding A, and the second to winding B. The default value is for copper.

Measurement temperature – Reference temperature

25 degC (default) | real number

Temperature for which motor parameters are defined.

Thermal Port

This set of parameters appears only for blocks with exposed thermal ports. For more information, see “Thermal Ports and Effects” on page 1-1903.

Winding thermal masses, [M_A M_B] – Winding thermal masses

[100, 100] J/K (default) | positive vector

Two-element row vector defining the thermal mass for the A and B windings. The thermal mass is the energy required to raise the temperature by one degree.

Winding initial temperatures, [T_A T_B] – Initial winding temperatures

[25, 25] degC (default) | real number

Two-element row vector defining the temperature of the A and B thermal ports at the start of simulation.

Rotor thermal mass – Rotor thermal mass

50 J/K (default) | positive number

Thermal mass of the rotor, that is, the energy required to raise the temperature of the rotor by one degree.

Rotor initial temperature – Initial rotor temperature

25 degC (default) | real number

Temperature of the rotor at the start of simulation.

Percentage of magnetizing resistance associated with the rotor – Magnetizing resistance rotor percentage

90 (default) | positive number between 0 and 100

Percentage of the magnetizing resistance associated with the magnetic path through the rotor. It determines how much of the iron loss heating is attributed to the rotor thermal port, **HR**, and winding thermal ports, **HA** and **HB**.

References

- [1] M. Bodson, J. N. Chiasson, R. T. Novotnak and R. B. Rekowski. “High-Performance Nonlinear Feedback Control of a Permanent Magnet Stepper Motor.” IEEE Transactions on Control Systems Technology, Vol. 1, No. 1, March 1993.

[2] P. P. Acarnley. *Stepping Motors: A Guide to Modern Theory and Practice*. New York: Peregrinus, 1982.

[3] S.E. Lyshevski. *Electromechanical Systems, Electric Machines, and Applied Mechatronics*. CRC, 1999.

Extended Capabilities

C/C++ Code Generation

Generate C and C++ code using Simulink® Coder™.

See Also

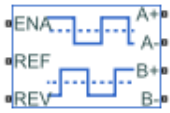
Stepper Motor Driver | Unipolar Stepper Motor

Introduced in R2008a

Stepper Motor Driver

Driver for stepper motor

Library: Simscape / Electrical / Electromechanical / Reluctance & Stepper



Description

The Stepper Motor Driver block represents a driver for a stepper motor. It creates the pulse trains, *A* and *B*, required to control the motor. This block initiates a step each time the voltage at the **ENA** port rises above the **Enable threshold voltage** parameter value.

If the voltage at the **REV** port is less than or equal to the **Reverse threshold voltage** parameter value, pulse *A* leads pulse *B* by 90 degrees. If the voltage at the **REV** port is greater than the **Reverse threshold voltage** value, pulse *B* leads pulse *A* by 90 degrees and the motor direction is reversed.

At time zero, pulse *A* is positive and pulse *B* is negative.

If you set the **Stepping mode** parameter to **Half stepping**, the Stepper Motor Driver block can produce the output waveforms required for half stepping. In this mode, there is an intermediate state between the full steps, in which just one of the *A* or the *B* half-windings is powered. As a result, the step size is half of the stepper motor's full step size. At half steps, windings that are not powered are short-circuited. This approximates the effect of a freewheeling diode connected across the windings.

Averaged Mode

If you set the **Simulation mode** parameter to **Averaged**, both for a Stepper Motor Driver block and for the Stepper Motor block connected to it, then the individual steps are not simulated. This can be a good way to speed up simulation. The **Averaged** mode assumes that the external controller provides a step rate demand. This step rate demand is determined from the voltage applied between the **ENA** and **REF** ports on the Stepper Motor Driver block, by multiplying this voltage by the value of the **Step rate sensitivity** parameter. The rotation direction is set by the **REV** port in the same way as for the **Stepping mode**.

Averaged mode needs to communicate the step rate demand and also output voltage amplitude information to the Stepper Motor block. To do this, the step rate demand is applied as an equivalent voltage across the **A+** and **A-** ports. Similarly the output voltage amplitude information is conveyed by applying a steady-state voltage across the **B+** and **B-** ports with value equal to the **Output voltage amplitude** parameter.

Assumptions and Limitations

- To use **Averaged mode**, the Stepper Motor Driver block must be directly connected to a Stepper Motor block also running in **Averaged mode**.

- When changing from **Stepping** to **Averaged** mode and back, you will need to modify your upstream blocks that provide the input voltages to the Stepper Motor Driver block. One way to achieve this easily is to use Simulink variant subsystems.

Ports

Conserving

A+ — **A-phase positive terminal**

electrical

Electrical conserving port associated with the *A*-phase positive terminal.

A- — **A-phase negative terminal**

electrical

Electrical conserving port associated with the *A*-phase negative terminal.

B+ — **B-phase positive terminal**

electrical

Electrical conserving port associated with the *B*-phase positive terminal.

B- — **B-phase negative terminal**

electrical

Electrical conserving port associated with the *B*-phase negative terminal.

ENA — **Triggering input step voltage**

electrical

Electrical conserving port associated with the step trigger input.

REF — **Input floating reference voltage**

electrical

Electrical conserving port associated with the floating reference voltage.

REV — **Input voltage that controls motor direction**

electrical

Electrical conserving port associated with the motor direction input.

Parameters

Simulation mode — **Simulation mode**

Stepping (default) | Averaged

Use **Averaged** only if the block is connected directly to a Stepper Motor block also running in **Averaged** mode.

Step rate sensitivity — **Step rate demand sensitivity**

10 Hz/V (default) | positive number

This parameter converts the voltage presented across the **ENA** and **REF** ports into a step rate demand.

Dependencies

To enable this parameter, set **Simulation mode** to Averaged.

Enable threshold voltage — Step voltage threshold

2.5 V (default) | positive number

When the voltage at the **ENA** port rises above this threshold, the Stepper Motor Driver block initiates a step.

Dependencies

To enable this parameter, set **Simulation mode** to Stepping.

Reverse threshold voltage — Reversal voltage threshold

2.5 V (default) | positive number

When the voltage at the **REV** port rises above this threshold, pulse *B* leads pulse *A* by 90 degrees, and the motor direction is reversed.

Output voltage amplitude — Pulse output amplitude

10 V (default) | positive number

Amplitude of the output pulse trains.

Stepping mode — Step size

Full stepping (default) | Half stepping

Select Full stepping or Half stepping.

Extended Capabilities**C/C++ Code Generation**

Generate C and C++ code using Simulink® Coder™.

See Also

Controlled PWM Voltage | Stepper Motor

Introduced in R2008a

Strain Gauge

Deformation sensor

Library: Simscape / Electrical / Sensors & Transducers



Description

The Strain Gauge block represents a sensor that generates a change in resistance as a function of strain using the following equation:

$$\frac{\Delta R}{R} = K\varepsilon$$

where:

- $\Delta R/R$ is the fractional change in resistance.
- ε is the strain at port E.
- K is the **Gauge factor** parameter value.

Ports

Input

E — Strain input

physical signal

Physical signal port associated with the strain input.

Conserving

+ — Positive port

electrical

Electrical conserving port associated with the strain gauge positive port.

- — Negative port

electrical

Electrical conserving port associated with the strain gauge negative port.

Parameters

Gauge resistance — Unstressed gauge resistance

100 Ohm (default)

Unstressed gauge resistance.

Gauge factor – Gauge factor

2 (default)

The ratio K of the fractional change in resistance to the fractional change in length.

Extended Capabilities

C/C++ Code Generation

Generate C and C++ code using Simulink® Coder™.

See Also

Introduced in R2008a

Supercapacitor

Electrochemical double-layer capacitor

Library: Simscape / Electrical / Passive



Description

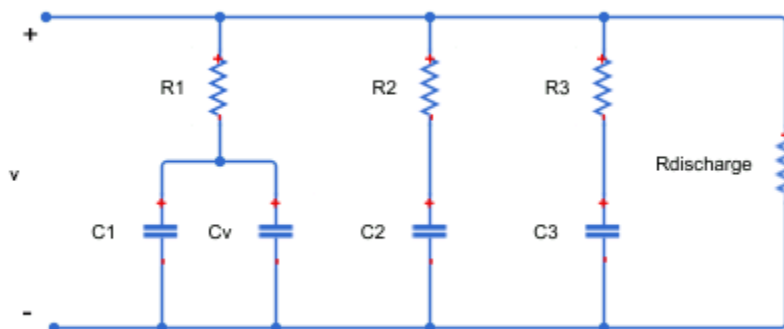
The Supercapacitor block represents an electrochemical double-layer capacitor (ELDC), which is commonly referred to as a supercapacitor or an ultracapacitor. The capacitance values for supercapacitors are orders of magnitude larger than the values for regular capacitors. Supercapacitors can provide bursts of energy because they can charge and discharge rapidly.

You can model any number of supercapacitor cells connected in series or in parallel using a single Supercapacitor block. To do so, set the relevant parameter, that is **Number of series cells** or **Number of parallel cells**, to a value larger than 1. Internally, the block simulates only the equations for a single supercapacitor cell, but it calculates:

- The output voltage according to the number of series-connected cells
- The current according to the number of parallel-connected cells

Calculating the output of a multiple-cell supercapacitor based on the output for a single cell is more efficient than simulating the equations for each cell individually.

The figure shows the equivalent circuit for a single cell in the Supercapacitor block. The circuit is a network of resistors and capacitors that is commonly used to model supercapacitor behavior.



Capacitors C_1 , C_2 , and C_3 have fixed capacitances. The capacitance of capacitor C_v depends on the voltage across it. Resistors R_1 , R_2 , and R_3 have fixed resistances. The voltage across each individual fixed capacitor in the Supercapacitor block is calculated as

$$V_{cn} = \frac{v}{N_{series}} - i_n R_n,$$

where:

- v is the voltage across the block.
- N_{series} is the number of cells in series.
- n is the branch number. $n = [1, 2, 3]$.
- i_n is the current through the n th branch.
- R_n is the resistance in the n th branch.
- V_{cn} is voltage across the capacitor in the n th branch.

The equation for the current through the first branch of the supercapacitor depends on the voltage across the capacitors in the branch. If the capacitors experience a positive voltage, that is

$$V_{c1} > 0,$$

then

$$i_1 = (C_1 + K_v V_{c1}) \frac{dV_{c1}}{dt},$$

else

$$i_1 = C_1 \frac{dV_{c1}}{dt},$$

where:

- V_{c1} is voltage across the capacitors in the first branch.
- C_1 is the capacitance of the fixed capacitor in the first branch.
- K_v is the voltage-dependent capacitance gain.
- i_1 is the current through the first branch.

For the remaining branches, the current is defined as

$$i_n = C_n \frac{dV_{cn}}{dt},$$

where:

- n is the branch number. $n = [2, 3]$.
- C_n is the capacitance of the n th branch.

The total current through the Supercapacitor block is

$$i = N_{parallel} \left(i_1 + i_2 + i_3 + \frac{v}{R_{discharge}} \right),$$

where:

- $N_{parallel}$ is the number of cells in parallel.
- $R_{discharge}$ is the self-discharge resistance of the supercapacitor.
- i is the current through the supercapacitor.

Ports

Conserving

+ – Positive electrical terminal

electrical

Electrical conserving port associated with the positive terminal.

- – Negative electrical terminal

electrical

Electrical conserving port associated with the negative terminal.

Parameters

Cell Characteristics

Fixed resistances, [R1 R2 R3] – Fixed resistance values for each branch

[0.2, 90.0, 1000.0] Ohm (default)

Specify the resistances for the fixed resistors in the individual branches of the supercapacitor as an array.

Fixed capacitances, [C1 C2 C3] – Fixed capacitance values for each branch

[2.5, 1.5, 4.0] F (default)

Specify the individual capacitances for the fixed capacitors in the supercapacitor as an array.

Voltage-dependent capacitor gain – Variable capacitance coefficient for the first branch

0.95 F/V (default)

Specify the variable capacitance coefficient, K_v , for the voltage-dependent capacitor in the first branch of the supercapacitor. For information on determining the variable capacitance coefficient, see [1] on page 1-1918.

Self-discharge resistance – Resistance to self-discharge

inf (default)

Specify the self-discharge resistance of the supercapacitor that is connected between the two terminals.

Configuration

Number of series cells – Number of supercapacitor cells in series

1 (default)

Specify the number of cells in the supercapacitor that are in a series configuration.

Number of parallel cells – Number of supercapacitor cells in parallel

1 (default)

Specify the number of cells in the supercapacitor that are in a parallel configuration.

Variables

Beginning Value — Initial target value

0 (default)

Use the **Variables** tab to set the priority and initial target values for the block variables before simulation. For more information, see “Set Priority and Initial Target for Block Variables”.

References

- [1] Zubieta, L. and R. Bonert. “Characterization of Double-Layer Capacitors for Power Electronics Applications.” *IEEE Transactions on Industry Applications*, Vol. 36, No. 1, 2000, pp. 199-205.
- [2] Weddell, A. S., G. V. Merrett, T. J. Kazmierski, and B. M. Al-Hashimi. “Accurate Supercapacitor Modeling for Energy-Harvesting Wireless Sensor Nodes.” *IEEE Transactions on Circuits And Systems-II: Express Briefs*, Vol. 58, No. 12, 2011, pp. 911-915.

Extended Capabilities

C/C++ Code Generation

Generate C and C++ code using Simulink® Coder™.

See Also

Simscape Blocks

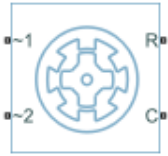
Battery | Controlled Current Source (Three-Phase) | Current Source (Three-Phase) | Voltage Source (Three-Phase)

Introduced in R2016b

Switched Reluctance Machine

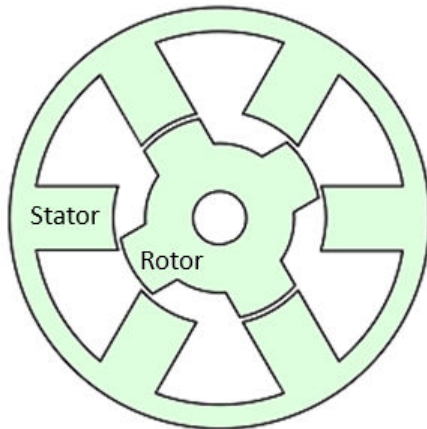
Three-phase switched reluctance machine

Library: Simscape / Electrical / Electromechanical / Reluctance & Stepper



Description

The Switched Reluctance Machine block represents a three-phase switched reluctance machine (SRM). The stator has three pole pairs, carrying the three motor windings, and the rotor has several nonmagnetic poles. The motor produces torque by energizing a stator pole pair, inducing a force on the closest rotor poles and pulling them toward alignment. The diagram shows the motor construction.



Choose this machine in your application to take advantage of these properties:

- Low cost
- Relatively safe failing currents
- Robustness to high temperature operation
- High torque-to-inertia ratio

Use this block to model an SRM using easily measurable or estimable parameters. To model an SRM using FEM data, see “Switched Reluctance Motor Parameterized with FEM Data”.

Equations

Switched Reluctance Machine Block

The rotor stroke angle for a three-phase machine is

$$\theta_{st} = \frac{2\pi}{3N_r},$$

where:

- θ_{st} is the stoke angle.
- N_r is the number of rotor poles.

The torque production capability, β , of one rotor pole is

$$\beta = \frac{2\pi}{N_r}.$$

The mathematical model for a switched reluctance machine (SRM) is highly nonlinear due to influence of the magnetic saturation on the flux linkage-to-angle, $\lambda(\theta_{ph})$ curve. The phase voltage equation for an SRM is

$$v_{ph} = R_s i_{ph} + \frac{d\lambda_{ph}(i_{ph}, \theta_{ph})}{dt}$$

where:

- v_{ph} is the voltage per phase.
- R_s is the stator resistance per phase.
- i_{ph} is the current per phase.
- λ_{ph} is the flux linkage per phase.
- θ_{ph} is the angle per phase.

Rewriting the phase voltage equation in terms of partial derivatives yields this equation:

$$v_{ph} = R_s i_{ph} + \frac{\partial \lambda_{ph}}{\partial i_{ph}} \frac{di_{ph}}{dt} + \frac{\partial \lambda_{ph}}{\partial \theta_{ph}} \frac{d\theta_{ph}}{dt}.$$

Transient inductance is defined as

$$L_t(i_{ph}, \theta_{ph}) = \frac{\partial \lambda_{ph}(i_{ph}, \theta_{ph})}{\partial i_{ph}},$$

or more simply as

$$\frac{\partial \lambda_{ph}}{\partial i_{ph}}.$$

Back electromotive force is defined as

$$E_{ph} = \frac{\partial \lambda_{ph}}{\partial \theta_{ph}} \omega_r.$$

Substituting these terms into the rewritten voltage equation yields this voltage equation:

$$v_{ph} = R_s i_{ph} + L_t(i_{ph}, \theta_{ph}) \frac{di_{ph}}{dt} + E_{ph}.$$

Applying the co-energy formula to equations for torque,

$$T_{ph} = \frac{\partial W(\theta_{ph})}{\partial \theta_r},$$

and energy,

$$W(i_{ph}, \theta_{ph}) = \int_0^{i_{ph}} \lambda_{ph}(i_{ph}, \theta_{ph}) di_{ph}$$

yields an integral equation that defines the instantaneous torque per phase, that is,

$$T_{ph}(i_{ph}, \theta_{ph}) = \int_0^{i_{ph}} \frac{\partial \lambda_{ph}(i_{ph}, \theta_{ph})}{\partial \theta_{ph}} di_{ph}.$$

Integrating over the phases give this equation, which defines the total instantaneous torque for a three-phase SRM:

$$T = \sum_{j=1}^3 T_{ph}(j).$$

The equation for motion is

$$J \frac{d\omega}{dt} = T - T_L - B_m \omega$$

where:

- J is the rotor inertia.
- ω is the mechanical rotational speed.
- T is the rotor torque. For the Switched Reluctance Machine block, torque flows from the machine case (block conserving port **C**) to the machine rotor (block conserving port **R**).
- T_L is the load torque.
- J is the rotor inertia.
- B_m is the rotor damping.

For high-fidelity modeling and control development, use empirical data and finite element calculation to determine the flux linkage curve in terms of current and angle, that is,

$$\lambda_{ph}(i_{ph}, \theta_{ph}).$$

For low-fidelity modeling, you can also approximate the curve using analytical techniques. One such technique [2] uses this exponential function:

$$\lambda_{ph}(i_{ph}, \theta_{ph}) = \lambda_{sat} \left(1 - e^{-i_{ph} f(\theta_{ph})} \right),$$

where:

- λ_{sat} is the saturated flux linkage.
- $f(\theta_r)$ is obtained by Fourier expansion.

For the Fourier expansion, use the first two even terms of this equation:

$$f(\theta_{ph}) = a + b\cos(N_r\theta_{ph})$$

where $a > b$,

$$a = \frac{L_{min} + L_{max}}{2\lambda_{sat}},$$

and

$$b = \frac{L_{max} - L_{min}}{2\lambda_{sat}}.$$

Switched Reluctance Motor Block

The flux linkage curve is approximated based on parametric and geometric data:

$$\lambda_{ph}(i_{ph}, \theta_{ph}) = \lambda_{sat} \left(1 - e^{-L_0(\theta) i_{ph} / \lambda_{sat}} \right),$$

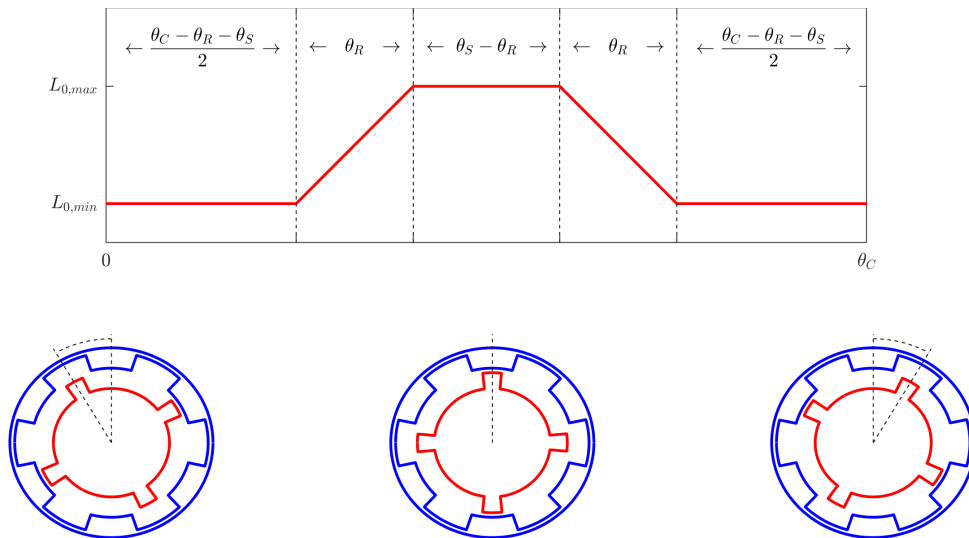
where L_0 is the unsaturated inductance.

The effects of saturation are more prominent as the product of current and unsaturated inductance approach the saturated flux linkage value. Specify this value using the **Saturated flux linkage** parameter.

Differentiating the flux equation then gives the winding inductance:

$$L(\theta_{ph}) = L_0(\theta_{ph}) e^{(-L_0(\theta_{ph}) i_{ph} / \lambda_{sat})}$$

The unsaturated inductance varies between a minimum and maximum value. The minimum value occurs when a rotor pole is directly between two stator poles. The maximum occurs when the rotor pole is aligned with a stator pole. In between these two points, the block approximates the unsaturated inductance linearly as a function of rotor angle. This figure shows the unsaturated inductance as a rotor pole passes over a stator pole.



In the figure:

- θ_R corresponds to the angle subtended by the rotor pole. Set it using the **Angle subtended by each rotor pole** parameter.
- θ_S corresponds to the angle subtended by the stator pole. Set it using the **Angle subtended by each stator pole** parameter.
- θ_C corresponds to the angle subtended by this full cycle, determined by $2\pi/2n$ where n is the number of stator pole pairs.

Modeling Variants

The block provides four modeling variants. To select the desired variant, right-click the block in your model. From the context menu, select **Simscape > Block choices**, and then one of these variants:

- **Composite three-phase ports | No thermal port** — The block contains composite three-phase electrical conserving ports associated with the stator windings, but does not contain thermal ports. This variant is the default.
- **Expanded three-phase ports | No thermal port** — The block contains expanded electrical conserving ports associated with the stator windings, but does not contain thermal ports.
- **Composite three-phase ports | Show thermal port** — The block contains composite three-phase electrical conserving ports associated with the stator windings and four thermal conserving ports, one for each of the three windings and one for the rotor.
- **Expanded three-phase ports | Show thermal port** — The block contains expanded electrical conserving ports associated with the stator windings and four thermal conserving ports, one for each of the three windings and one for the rotor.

Use the thermal ports to simulate the effects of copper resistance and iron losses that convert electrical power to heat. For more information on using thermal ports in actuator blocks, see “Simulating Thermal Effects in Rotational and Translational Actuators”.

Dependencies

Selecting a thermal block variant exposes thermal parameters.

Numerical Smoothing

In practice, magnetic edge effects prevent the inductance from taking a trapezoidal shape as a rotor pole passes over a stator pole. To model these effects, and to avoid gradient discontinuities that hinder solver convergence, the block smooths the gradient $\partial L_{\phi}/\partial\theta$ at inflection points. To change the angle over which this smoothing is applied, use the **Angle over which flux gradient changes are smoothed** parameter.

Assumptions

The block assumes that a zero rotor angle corresponds to a rotor pole that is aligned perfectly with the *a*-phase.

Variables

Use the **Variables** settings to specify the priority and initial target values for the block variables before simulation. For more information, see “Set Priority and Initial Target for Block Variables”.

Ports

Conserving

~1 — Positive three-phase composite terminal

electrical

Electrical conserving three-phase port associated with the positive terminals of the stator windings.

Dependencies

This port is exposed if you select one of these model variants:

- Composite three-phase ports | No thermal port
- Composite three-phase ports | Show thermal port

~2 — Negative three-phase composite terminal

electrical

Electrical conserving three-phase port associated with the negative terminals of the stator windings.

Dependencies

This port is exposed if you select one of these model variants:

- Composite three-phase ports | No thermal port
- Composite three-phase ports | Show thermal port

a1 — Positive *a*-phase terminal

electrical

Electrical conserving port associated with the positive terminal of stator winding *a*.

Dependencies

This port is exposed if you select one of these model variants:

- Expanded three-phase ports | No thermal port
- Expanded three-phase ports | Show thermal port

a2 — Negative a-phase terminal

electrical

Electrical conserving port associated with the negative terminal of stator winding *a*.

Dependencies

This port is exposed if you select one of these model variants:

- Expanded three-phase ports | No thermal port
- Expanded three-phase ports | Show thermal port

b1 — Positive b-phase terminal

electrical

Electrical conserving port associated with the positive terminal of stator winding *b*.

Dependencies

This port is exposed if you select one of these model variants:

- Expanded three-phase ports | No thermal port
- Expanded three-phase ports | Show thermal port

b2 — Negative b-phase terminal

electrical

Electrical conserving port associated with the negative terminal of stator winding *b*.

Dependencies

This port is exposed if you select one of these model variants:

- Expanded three-phase ports | No thermal port
- Expanded three-phase ports | Show thermal port

c1 — Positive c-phase terminal

electrical

Electrical conserving port associated with the positive terminal of stator winding *c*.

Dependencies

This port is exposed if you select one of these model variants:

- Expanded three-phase ports | No thermal port
- Expanded three-phase ports | Show thermal port

c2 — Negative c-phase terminal

electrical

Electrical conserving port associated with the negative terminal of stator winding *c*.

Dependencies

This port is exposed if you select one of these model variants:

- Expanded three-phase ports | No thermal port
- Expanded three-phase ports | Show thermal port

R — Rotor

mechanical

Mechanical rotational conserving port associated with the rotor.

C — Casing

mechanical

Mechanical rotational conserving port associated with the stator or casing.

HA — a-phase terminal thermal port

thermal

Thermal conserving port associated with stator winding *a*.

Dependencies

This port is exposed if you select one of these model variants:

- Composite three-phase ports | Show thermal port
- Expanded three-phase ports | Show thermal port

HB — b-phase terminal thermal port

thermal

Thermal conserving port associated with stator winding *b*.

Dependencies

This port is exposed if you select one of these model variants:

- Composite three-phase ports | Show thermal port
- Expanded three-phase ports | Show thermal port

HC — c-phase terminal thermal port

thermal

Thermal conserving port associated with stator winding *c*.

Dependencies

This port is exposed if you select one of these model variants:

- Composite three-phase ports | Show thermal port
- Expanded three-phase ports | Show thermal port

HR — Rotor thermal port

thermal

Thermal conserving port associated with the rotor.

Dependencies

This port is exposed if you select one of these model variants:

- Composite three-phase ports | Show thermal port
- Expanded three-phase ports | Show thermal port

Parameters**Main****Number of rotor poles — Rotor pole**

4 (default) | positive integer

Number of pole pairs on the rotor.

Stator resistance per phase — Resistance

3 Ohm (default) | positive scalar

Per-phase resistance of each of the stator windings.

Stator parameterization — Parameterization method

Specify parametric data (default) | Specify parametric and geometric data | Specify tabulated flux data

Method for parameterizing the stator.

Dependencies

Selecting Specify parametric data enables these parameters:

- **Magnetizing resistance**
- **Saturated flux linkage**
- **Aligned inductance**
- **Unaligned inductance**

Selecting Specify parametric and geometric data enables these parameters:

- **Magnetizing resistance**
- **Saturated flux linkage**
- **Aligned inductance**
- **Unaligned inductance**
- **Angle subtended by each stator pole**
- **Angle subtended by each rotor pole**
- **Angle over which flux gradient changes are smoothed**

Selecting Specify tabulated flux data enables these parameters:

- **Current vector, i**
- **Angle vector, θ**
- **Flux linkage matrix, $\Phi(i,\theta)$**

Magnetizing resistance — Magnetic losses

inf Ohm (default) | real scalar

The total magnetizing resistance for each of the phase windings. The default value `inf` indicates that there are no iron losses.

Dependencies

This parameter is exposed when you set **Stator parameterization** to `Specify parametric data` or `Specify parametric and geometric data`.

Saturated flux linkage — Flux linkage

0.43 Wb (default) | positive scalar

Saturated flux linkage per phase.

Dependencies

This parameter is exposed when you set **Stator parameterization** to `Specify parametric data` or `Specify parametric and geometric data`.

Aligned inductance — Inductance

0.0046 H (default) | positive scalar

The value of this parameter must be greater than the value of the **Unaligned inductance** parameter.

Dependencies

This parameter is exposed when you set **Stator parameterization** to `Specify parametric data` or `Specify parametric and geometric data`.

Unaligned inductance — Inductance

6.7e-4 H (default) | positive scalar

The value of this parameter must be less than the value of the **Aligned inductance** parameter.

Dependencies

This parameter is exposed when you set **Stator parameterization** to `Specify parametric data` or `Specify parametric and geometric data`.

Angle subtended by each stator pole — Stator tooth angle

45 deg (default) | positive scalar

Angle spanned by each stator tooth. This value must be greater than or equal to the value of **Angle subtended by each rotor pole**.

Dependencies

This parameter is exposed when you set **Stator parameterization** to `Specify parametric and geometric data`.

Angle subtended by each rotor pole — Rotor tooth angle

42 deg (default) | positive scalar

Angle spanned by each rotor tooth.

Dependencies

This parameter is exposed when you set **Stator parameterization** to Specify parametric and geometric data.

Angle over which flux gradient changes are smoothed – Inflection point smoothing

0.5 deg (default) | positive scalar

Angle over which sharp edges in trapezoidal inductance curve are smoothed. This value must be smaller than the value of **Angle subtended by each rotor pole**.

Dependencies

This parameter is exposed when you set **Stator parameterization** to Specify parametric and geometric data.

Current vector, i – Current

[0, 50, 100] A (default) | vector

Current vector used to identify the flux linkage curve family.

Dependencies

This parameter is exposed when you set **Stator parameterization** to Specify tabulated flux data.

Angle vector, θ – Angle

[0, 45, 90] deg (default) | vector

Angle vector used to identify the flux linkage curve family.

Dependencies

This parameter is exposed when you set **Stator parameterization** to Specify tabulated flux data.

Flux linkage matrix, $\Phi(i, \theta)$ – Flux

[0, 0, 0; .37, .06, .37; .43, .1, .43] Wb (default) | matrix

Flux linkage matrix that defines the flux linkage curve family.

Dependencies

This parameter is exposed when you set **Stator parameterization** to Specify tabulated flux data.

Mechanical**Rotor inertia – Inertia**

0.01 kg*m² (default) | zero or positive scalar

Inertia of the rotor attached to mechanical translational port **R**.

Rotor Damping – Damping

0 N*m/(rad/s) (default) | positive scalar

Rotary damping.

Thermal

These parameters appear only for blocks with exposed thermal ports.

Resistance temperature coefficient — Temperature coefficient

3.93e-3 1/K (default) | positive scalar

Coefficient α in the equation relating resistance to temperature for all three windings, as described in “Thermal Model for Actuator Blocks”. The default value, 3.93e-3 1/K, is for copper.

Measurement temperature — Rated temperature

25 degC (default) | real scalar

The temperature for which motor parameters are quoted.

Winding thermal mass — Winding thermal mass

100 J/K (default) | positive scalar

The thermal mass value for the *a*-, *b*-, and *c*-windings. The thermal mass is the energy required to raise the temperature by one degree.

Rotor thermal mass — Rotor thermal mass

50 J/K (default) | positive scalar

The thermal mass of the rotor. The thermal mass is the energy required to raise the temperature of the rotor by one degree.

Percentage of magnetizing resistance associated with the rotor — Iron loss heating distribution

50 (default) | positive scalar

The percentage of the magnetizing resistance associated with the magnetic path through the rotor. This parameter determines how much of the iron loss heating is attributed to:

- The rotor thermal port **HR**
- The three stator thermal ports **HA**, **HB**, and **HC**

References

- [1] Boldea, I. and S. A. Nasar. *Electric Drives, Second Edition*. New York: CRC, 2005.
- [2] Ilic'-Spong, M., R. Marino, S. Peresada, and D. Taylor. “Feedback linearizing control of switched reluctance motors.” *IEEE Transactions on Automatic Control*. Vol. 32, No. 5, 1987, pp. 371-379.

Extended Capabilities

C/C++ Code Generation

Generate C and C++ code using Simulink® Coder™.

See Also

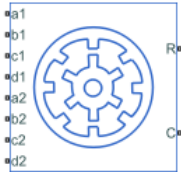
BLDC | PMSM | Synchronous Machine Field Circuit | Synchronous Machine Measurement | Synchronous Reluctance Machine

Introduced in R2017b

Switched Reluctance Machine (Multi-Phase)

Four or five-phase switched reluctance machine (SRM)

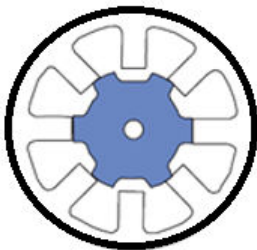
Library: Simscape / Electrical / Electromechanical / Reluctance & Steppers



Description

The Switched Reluctance Machine (Multi-Phase) block represents a four- or five-phase switched reluctance machine (SRM).

The diagram shows the motor construction for the four-phase machine.



The diagram shows the motor construction for the five-phase machine.



Equations

The rotor stroke angle for a multiphase machine is

$$\theta_{st} = \frac{2\pi}{N_s N_r}$$

where:

- θ_{st} is the stoke angle.

- N_s is the number of phases.
- N_r is the number of rotor poles.

The torque production capability, β , of one rotor pole is

$$\beta = \frac{2\pi}{N_r}.$$

The mathematical model for a switched reluctance machine (SRM) is highly nonlinear due to influence of the magnetic saturation on the flux linkage-to-angle curve, $\lambda(\theta_{ph})$. The phase voltage equation for an SRM is

$$v_{ph} = R_s i_{ph} + \frac{d\lambda_{ph}(i_{ph}, \theta_{ph})}{dt}$$

where:

- v_{ph} is the voltage per phase.
- R_s is the stator resistance per phase.
- i_{ph} is the current per phase.
- λ_{ph} is the flux linkage per phase.
- θ_{ph} is the angle per phase.

Rewriting the phase voltage equation in terms of partial derivatives yields this equation:

$$v_{ph} = R_s i_{ph} + \frac{\partial \lambda_{ph}}{\partial i_{ph}} \frac{di_{ph}}{dt} + \frac{\partial \lambda_{ph}}{\partial \theta_{ph}} \frac{d\theta_{ph}}{dt}.$$

Transient inductance is defined as

$$L_t(i_{ph}, \theta_{ph}) = \frac{\partial \lambda_{ph}(i_{ph}, \theta_{ph})}{\partial i_{ph}},$$

or more simply as

$$\frac{\partial \lambda_{ph}}{\partial i_{ph}}.$$

Back electromotive force is defined as

$$E_{ph} = \frac{\partial \lambda_{ph}}{\partial \theta_{ph}} \omega_r.$$

Substituting these terms into the rewritten voltage equation yields this voltage equation:

$$v_{ph} = R_s i_{ph} + L_t(i_{ph}, \theta_{ph}) \frac{di_{ph}}{dt} + E_{ph}.$$

Applying the co-energy formula to equations for torque,

$$T_{ph} = \frac{\partial W(\theta_{ph})}{\partial \theta_r},$$

and energy,

$$W(i_{ph}, \theta_{ph}) = \int_0^{i_{ph}} \lambda_{ph}(i_{ph}, \theta_{ph}) di_{ph}$$

yields an integral equation that defines the instantaneous torque per phase, that is,

$$T_{ph}(i_{ph}, \theta_{ph}) = \int_0^{i_{ph}} \frac{\partial \lambda_{ph}(i_{ph}, \theta_{ph})}{\partial \theta_{ph}} di_{ph}.$$

Integrating over the phases gives this equation, which defines the total instantaneous torque as

$$T = \sum_{j=1}^{N_s} T_{ph}(j).$$

The equation for motion is

$$J \frac{d\omega}{dt} = T - T_L - B_m \omega$$

where:

- J is the rotor inertia.
- ω is the mechanical rotational speed.
- T is the rotor torque. For the Switched Reluctance Machine block, torque flows from the machine case (block conserving port **C**) to the machine rotor (block conserving port **R**).
- T_L is the load torque.
- J is the rotor inertia.
- B_m is the rotor damping.

For high-fidelity modeling and control development, use empirical data and finite element calculation to determine the flux linkage curve in terms of current and angle, that is,

$$\lambda_{ph}(i_{ph}, \theta_{ph}).$$

For low-fidelity modeling, you can also approximate the curve using analytical techniques. One such technique [2] uses this exponential function:

$$\lambda_{ph}(i_{ph}, \theta_{ph}) = \lambda_{sat} \left(1 - e^{-i_{ph} f(\theta_{ph})} \right),$$

where:

- λ_{sat} is the saturated flux linkage.
- $f(\theta_r)$ is obtained by Fourier expansion.

For the Fourier expansion, use the first two even terms of this equation:

$$f(\theta_{ph}) = a + b \cos(N_r \theta_{ph})$$

where $a > b$,

$$a = \frac{L_{\min} + L_{\max}}{2\lambda_{\text{sat}}},$$

and

$$b = \frac{L_{\max} - L_{\min}}{2\lambda_{\text{sat}}}.$$

Assumptions

A zero rotor angle corresponds to a rotor pole that is aligned perfectly with the a -phase, that is, peak flux.

Variables

Use the **Variables** settings to specify the priority and initial target values for the block variables before simulation. For more information, see “Set Priority and Initial Target for Block Variables”.

Ports

Conserving

R — Machine rotor

mechanical rotational

Mechanical rotational conserving port associated with the machine rotor.

Data Types: double

C — Machine case

mechanical rotational

Mechanical rotational conserving port associated with the machine case.

Data Types: double

a1 — a-phase positive supply

electrical

Electrical positive supply for phase- a .

Data Types: double

b1 — b-phase positive supply

electrical

Electrical positive supply for phase- b .

Data Types: double

c1 — c-phase positive supply

electrical

Electrical positive supply for phase- c .

Data Types: double

d1 — d-phase positive supply

electrical

Electrical positive supply for phase-*d*.

Data Types: double

e1 — e-phase positive supply

electrical

Electrical positive supply for phase-*e*.

This port is visible if you select Five -phase for the **Number of stator phases** parameter.

Data Types: double

a2 — a-phase negative supply

electrical

Electrical negative supply for phase-*a*.

Data Types: double

b2 — b-phase negative supply

electrical

Electrical negative supply for phase-*b*.

Data Types: double

c2 — c-phase negative supply

electrical

Electrical negative supply for phase-*c*.

Data Types: double

d2 — d-phase negative supply

electrical

Electrical negative supply for phase-*d*.

Data Types: double

e2 — e-phase negative supply

electrical

Electrical negative supply for phase-*e*.

This port is visible if you select Five -phase for the **Number of stator phases** parameter.

Data Types: double

Parameters

Main

Number of stator phases — Four- or five-phase SRM

Four-phase (default) | Five-phase

Type of multiphase SRM in terms of the number of stator phases.

Dependencies

Selecting Five-phase enables these ports:

- **e1**
- **e2**

Number of rotor poles — Rotor pole

8 (default) | positive integer

Number of pole pairs on the rotor.

Stator resistance per phase — Resistance

3 0hm (default) | positive scalar

Per-phase resistance of each of the stator windings.

Stator parameterization — Parameterization method

Specify saturated flux linkage (default) | Specify flux characteristic

Method for parameterizing the stator.

Dependencies

Selecting Specify saturated flux linkage enables these parameters:

- **Saturated flux linkage**
- **Aligned inductance**
- **Unaligned inductance**

Selecting Specify flux characteristic enables these parameters:

- **Current vector, i**
- **Angle vector, theta**
- **Flux linkage matrix, Phi(i,theta)**

Saturated flux linkage — Flux linkage

0.43 Wb (default) | positive scalar

Saturated flux linkage per phase.

Dependencies

To enable this parameter, set **Stator parameterization** to Specify saturated flux linkage.

Aligned inductance — Inductance

0.0046 H (default) | positive scalar

Inductance when the axis of the rotor pole is identical to the axis of the excited stator pole. The value of this parameter must be greater than the value of the **Unaligned inductance** parameter.

Dependencies

To enable this parameter, set **Stator parameterization** to Specify saturated flux linkage.

Unaligned inductance – Inductance

6.7e-4 H (default) | positive scalar

Inductance when the axis between two rotor poles is identical to the axis of the excited stator pole. The value of this parameter must be less than the value of the **Aligned inductance** parameter.

Dependencies

To enable this parameter, set **Stator parameterization** to Specify saturated flux linkage.

Current vector, i – Current

[0, 50, 100] A (default) | positive vector

Current vector used to identify the flux linkage curve family.

Dependencies

To enable this parameter, set **Stator parameterization** to Specify flux characteristic.

Angle vector, θ – Angle

[0, 22.5, 45] deg (default) | positive vector

Angle vector used to identify the flux linkage curve family.

Dependencies

To enable this parameter, set **Stator parameterization** to Specify flux characteristic.

Flux linkage matrix, $\Phi(i, \theta)$ – Flux

[0, 0, 0; .37, .06, .37; .43, .1, .43] Wb (default) | scalar

Flux linkage matrix that defines the flux linkage curve family.

Dependencies

To enable this parameter, set **Stator parameterization** to Specify flux characteristic.

Mechanical**Rotor inertia – Inertia**

0.01 kg*m² (default) | positive scalar

Inertia of the rotor attached to mechanical translational port **R**.

Rotor Damping – Damping

0 N*m/(rad/s) (default) | scalar

Rotary damping.

References

- [1] Boldea, I. and S. A. Nasar. *Electric Drives*. 2nd Ed. New York: CRC Press, 2005.
- [2] Ilić-Spong, M., R. Marino, S. Peresada, and D. Taylor. "Feedback linearizing control of switched reluctance motors." *IEEE Transactions on Automatic Control*. Vol. 32, Number 5, 1987, pp. 371-379.

Extended Capabilities

C/C++ Code Generation

Generate C and C++ code using Simulink® Coder™.

See Also

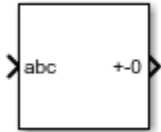
Switched Reluctance Machine | Synchronous Reluctance Machine

Introduced in R2018b

Symmetrical-Components Transform

Implement abc to $+0$ transform

Library: Simscape / Electrical / Control / Mathematical Transforms



Description

The Symmetrical-Components Transform block implements a symmetrical transform of a set of phasors. The transform splits an unbalanced set of three phasors into three balanced sets of phasors.

In an unbalanced system with balanced impedances, use this block to decouple the system into three independent networks. In a balanced system, use this block to simplify the set of three-phasors to an equivalent one-line network. In this case, the positive set represents the one-line network.

Use the Power invariant property to choose between the Fortescue transform, and the alternative, power-invariant version.

Equations

The symmetrical-components transform separates an unbalanced three-phase signal given in phasor quantities into three balanced sets of phasors:

$$\begin{bmatrix} v_a \\ v_b \\ v_c \end{bmatrix} = \begin{bmatrix} v_{a+} \\ v_{b+} \\ v_{c+} \end{bmatrix} + \begin{bmatrix} v_{a-} \\ v_{b-} \\ v_{c-} \end{bmatrix} + \begin{bmatrix} v_{a0} \\ v_{b0} \\ v_{c0} \end{bmatrix},$$

where:

- v_a , v_b , and v_c make up the original, unbalanced set of phasors.
- v_{a+} , v_{b+} , and v_{c+} make up the balanced, positive set of phasors.
- v_{a-} , v_{b-} , and v_{c-} make up the balanced, negative set of phasors.
- v_{a0} , v_{b0} , and v_{c0} make up the balanced, zero set of phasors.

The block calculates the symmetric a -phase using the transformation:

$$\begin{bmatrix} V_{a+} \\ V_{a-} \\ V_{a0} \end{bmatrix} = \frac{K}{3} \begin{bmatrix} 1 & a & a^2 \\ 1 & a^2 & a \\ 1 & 1 & 1 \end{bmatrix} \begin{bmatrix} V_a \\ V_b \\ V_c \end{bmatrix}.$$

where a is the complex rotation operator

$$a = e^{2\pi i/3},$$

and K is the constant that determines the type of transform:

$$\begin{cases} K = 1 & \text{Fortescue transform} \\ K = \sqrt{3} & \text{Power-invariant transform} \end{cases}$$

To select the power-invariant transform and simplify the power calculation in the $+0$ domain, enable the **Power invariant** property.

Because the remaining two sets of symmetrical phasors are not often used in calculation, the block does not calculate them. However, they are given in terms of simple rotations of the first set:

$$\begin{bmatrix} V_{b+} \\ V_{b-} \\ V_{b0} \end{bmatrix} = \begin{bmatrix} a^2 & 0 & 0 \\ 0 & a & 0 \\ 0 & 0 & 1 \end{bmatrix} \begin{bmatrix} V_{a+} \\ V_{a-} \\ V_{a0} \end{bmatrix},$$

and

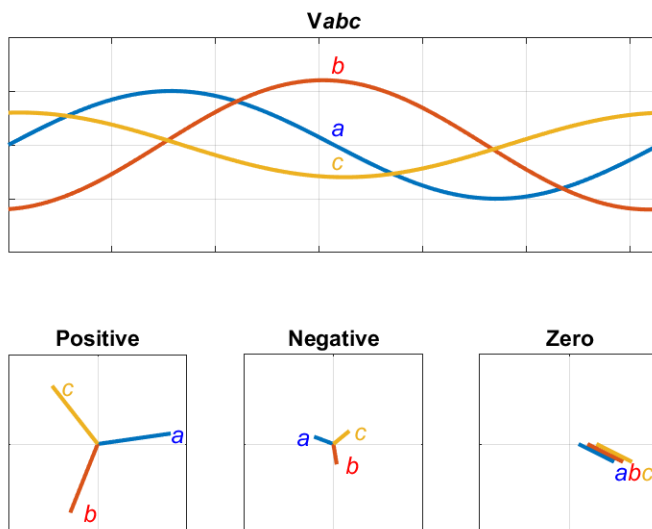
$$\begin{bmatrix} V_{c+} \\ V_{c-} \\ V_{c0} \end{bmatrix} = \begin{bmatrix} a & 0 & 0 \\ 0 & a^2 & 0 \\ 0 & 0 & 1 \end{bmatrix} \begin{bmatrix} V_{a+} \\ V_{a-} \\ V_{a0} \end{bmatrix}.$$

Operating Principle

The three sets of balanced phasors generated by the transform have the following properties:

- The positive set has the same order as the unbalanced set of phasors a - b - c .
- The negative set has the opposite order as the unbalanced set of phasors a - c - b .
- The zero set has no order because all three phasor angles are equal.

This diagram visualizes the separation performed by the transform.



In the diagram, the top axis shows an unbalanced three-phase signal with components a , b , and c . The bottom set of axes separates the three-phase signal into symmetrical positive, negative, and zero phasors.

Observe that in each case, the a , b , and c components are symmetrical and are separated by:

- +120 degrees for the positive set.
- -120 degrees for the negative set.
- 0 degrees for the zero set.

Inverse Transform

The symmetrical-components transform is unique and invertible:

$$\begin{bmatrix} V_a \\ V_b \\ V_c \end{bmatrix} = \frac{1}{K} \begin{bmatrix} 1 & 1 & 1 \\ a^2 & a & 1 \\ a & a^2 & 1 \end{bmatrix} \begin{bmatrix} V_{a+} \\ V_{a-} \\ V_{a0} \end{bmatrix}.$$

Use the Inverse Symmetrical-Components Transform block to perform this inverse transform.

Ports

Input

abc — a , b , and c phasors

vector

Three-phase set of unbalanced phasors to be separated, given as a complex signal.

Data Types: single | double

Output

+ - 0 — Balanced a phasor components

vector

Positive, negative and zero a phasors, output as a complex signal. Use the rotations given in the equations section to compute the b and c phasor sets.

Data Types: single | double

Parameters

Power invariant — Transform type

off (default) | on

Power invariant toggle. Select this parameter to use the power-invariant alternative of the original Fortescue transform.

References

[1] Anderson, P. M. *Analysis of Faulted Power Systems*. Hoboken, NJ: Wiley-IEEE Press, 1995.

Extended Capabilities

C/C++ Code Generation

Generate C and C++ code using Simulink® Coder™.

See Also

Blocks

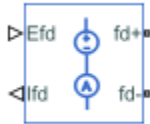
Clarke Transform | Clarke to Park Angle Transform | Inverse Symmetrical-Components Transform | Inverse Clarke Transform | Inverse Park Transform | Park to Clarke Angle Transform

Introduced in R2017b

Synchronous Machine Field Circuit

Synchronous machine field circuit per-unit interface with voltage input and current output

Library: Simscape / Electrical / Electromechanical / Synchronous



Description

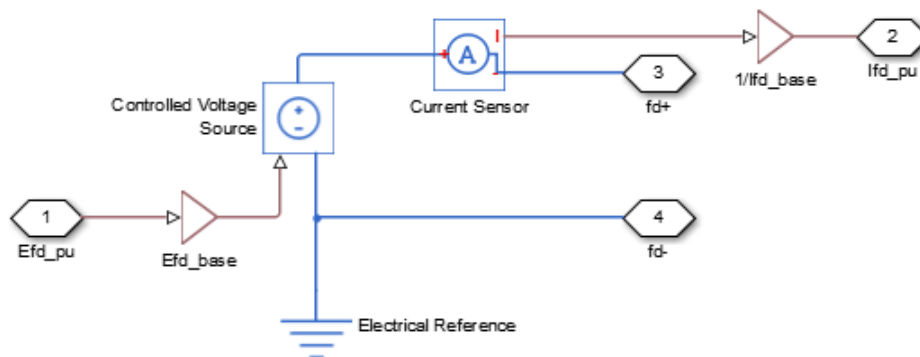
The Synchronous Machine Field Circuit block applies specified voltage to, and measures current through, the field circuit of the synchronous machine that it is connected to.

The SI model converts the SI values that you enter in the dialog box to per-unit values for simulation. For information on the relationship between SI and per-unit machine parameters, see “Per-Unit Conversion for Machine Parameters”. For information on per-unit parameterization, see “Per-Unit System of Units”.

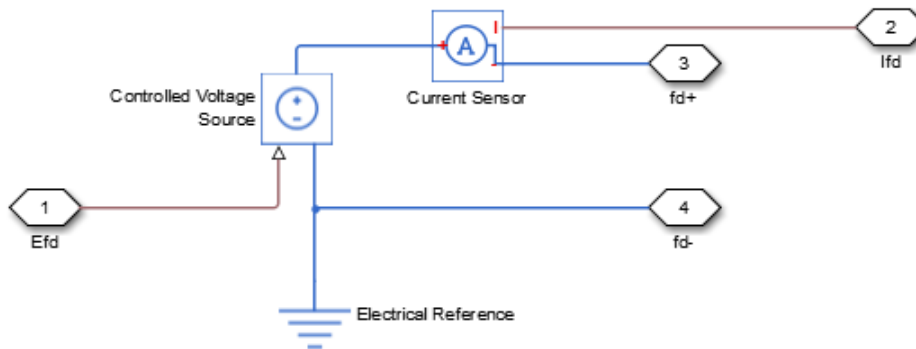
The block includes an electrical reference. The physical signal input **Efd_pu** defines the voltage and the physical signal output **Ifd_pu** provides the current, both in per-unit. The physical signal input **Efd** defines the voltage, in V, and the physical signal output **Ifd** provides the current, in A.

The per-unit bases are the nonreciprocal per-unit system, *Efd* and *Ifd*, rather than the reciprocal per-unit system, *efd* and *ifd*.

This figure shows the pu model of the Synchronous Machine Field Circuit block.



This figure shows the SI model of the Synchronous Machine Field Circuit block.



Ports

Input

Efd – Field voltage

physical

Physical input port associated with the field voltage.

Dependencies

This port is visible only when you set the **PS input and output unit** parameter to SI.

Efd_pu – Per unit field voltage

physical

Physical input port associated with the field voltage, in per-unit..

Dependencies

This port is visible only when you set the **PS input and output unit** parameter to Per unit.

Output

Ifd – Field current

physical

Physical input port associated with the field current.

Dependencies

This port is visible only when you set the **PS input and output unit** parameter to SI.

Ifd_pu – Per-unit field current

physical

Physical input port associated with the field current, in per-unit..

Dependencies

This port is visible only when you set the **PS input and output unit** parameter to Per unit.

Conserving

fd+ – Field winding positive terminal

electrical

Electrical conserving port associated with the field winding positive terminal.

fd- – Field winding negative terminal

electrical

Electrical conserving port associated with the field winding negative terminal.

Parameters

The additional parameters for this block are visible only if you set the **PS input and output unit** parameter to `Per unit`.

Main

PS input and output unit – Unit-system configuration

SI (default) | `Per unit`

Unit-system configuration for the block.

Selecting:

- SI exposes the SI ports.
- `Per unit` exposes the per-unit ports and parameters.

Rated apparent power – Rated apparent power

555e6 V*A (default)

Rated apparent power of the connected machine.

Rated electrical frequency – Nominal electrical frequency

60 Hz (default)

Nominal electrical frequency at which rated apparent power of the connected machine is quoted.

Specify field circuit input required to produce rated terminal voltage at no load by – Specify field circuit input required to produce rated terminal voltage at no load by

`Field circuit current (default)` | `Field circuit voltage`

Choose between `Field circuit voltage` and `Field circuit current`.

Field circuit current – Field circuit current

1300 A (default)

This value is used to calculate the per-unit bases for the field circuit (nonreciprocal per-unit system).

Dependencies

This parameter is visible only when you set the **Specify field circuit input required to produce rated terminal voltage at no load by** parameter to `Field circuit current`.

Field circuit voltage — Field circuit voltage

92.95 V (default)

This value is used to calculate the per-unit bases for the field circuit (nonreciprocal per-unit system).

Dependencies

This parameter is visible only when you set the **Specify field circuit input required to produce rated terminal voltage at no load by** parameter to Field circuit voltage.

Machine Parameters**Specify parameterization by — Machine parameterization**

Fundamental Parameters (default) | Standard Parameters

Choose between Fundamental Parameters and Standard Parameters.

Stator d-axis mutual inductance (unsaturated), L_{adu} — Stator d-axis mutual inductance (unsaturated)

1.66 (default)

Unsaturated stator d-axis mutual inductance.

Dependencies

This parameter is visible only when you set the **Specify parameterization by** parameter to Fundamental Parameters.

Rotor field circuit resistance, R_{fd} — Rotor field circuit resistance

0.0006 (default)

Rotor field-circuit resistance.

Dependencies

This parameter is visible only when you set the **Specify parameterization by** parameter to Fundamental Parameters.

Stator leakage reactance, X_l — Stator leakage reactance

0.15 (default)

Stator leakage reactance.

Dependencies

This parameter is visible only when you set the **Specify parameterization by** parameter to Standard Parameters.

d-axis synchronous reactance, X_d — d-axis synchronous reactance

1.81 (default)

The *d*-axis synchronous reactance.

Dependencies

This parameter is visible only when you set the **Specify parameterization by** parameter to Standard Parameters.

d-axis transient reactance, X_d' – d-axis transient reactance

0.3 (default)

The d -axis transient reactance.

Dependencies

This parameter is visible only when you set the **Specify parameterization by** parameter to Standard Parameters.

d-axis subtransient reactance, X_d'' – d-axis subtransient reactance

0.23 (default)

d -axis subtransient reactance.

Dependencies

This parameter is visible only when you set the **Specify parameterization by** parameter to Standard Parameters.

Specify d-axis time constant – d-axis time constant specification

Open-circuit value (default) | Short-circuit value

Choose between Open-circuit value and Short-circuit value.

Dependencies

This parameter is visible only when you set the **Specify parameterization by** parameter to Standard Parameters.

d-axis transient open-circuit, T_{d0}' – d-axis transient open-circuit

8 s (default)

The d -axis transient open-circuit time constant. This parameter is visible only when **Specify d-axis transient time constant** is set to Open-circuit value.

Dependencies

This parameter is visible only when you set the **Specify parameterization by** parameter to Standard Parameters and the **Specify d-axis transient time constant** to Open-circuit value.

d-axis transient short-circuit, T_{d0}' – d-axis transient short-circuit

1.3260 s (default)

The d -axis transient short-circuit time constant. This parameter is visible only when **Specify d-axis transient time constant** is set to Short-circuit value.

Dependencies

This parameter is visible only when you set the **Specify parameterization by** parameter to Standard Parameters and the **Specify d-axis transient time constant** to Short-circuit value.

d-axis subtransient open-circuit, T_{d0}'' – d-axis subtransient open-circuit

0.03 (default)

d -axis subtransient open-circuit.

Dependencies

This parameter is visible only when you set the **Specify parameterization by** parameter to Standard Parameters and the **Specify d-axis transient time constant** to Open-circuit value.

d-axis subtransient short-circuit, T_d'' — d-axis subtransient short-circuit
0.0230 (default)

d-axis subtransient short-circuit.

Dependencies

This parameter is visible only when you set the **Specify parameterization by** parameter to Standard Parameters and the **Specify d-axis transient time constant** to Short-circuit value.

Extended Capabilities**C/C++ Code Generation**

Generate C and C++ code using Simulink® Coder™.

See Also

Synchronous Machine Model 1.0 | Synchronous Machine Measurement | Synchronous Machine Model 2.1 | Synchronous Machine Round Rotor | Synchronous Machine Salient Pole

Introduced in R2014b

Synchronous Machine Measurement

Per-unit measurement from synchronous machine

Library: Simscape / Electrical / Electromechanical / Synchronous



Description

The Synchronous Machine Measurement block outputs a per-unit measurement associated with a connected Synchronous Machine Round Rotor or Synchronous Machine Salient Pole block. The input of the Synchronous Machine Measurement block connects to the pu output port of the synchronous machine block.

You set the **Output** parameter to a per-unit measurement associated with the synchronous machine. Based on the value you select, the Synchronous Machine Measurement block:

- Directly outputs the value of an element in the input signal vector
- Calculates the per-unit measurement by using values of elements in the input signal vector in mathematical expressions

The Synchronous Machine Measurement block outputs a per-unit measurement from the synchronous machine according to the output value expressions in the table. For example, when you set **Output** to **Stator d-axis voltage**, the block directly outputs the value of the pu_ed element in the input signal vector. However, when you set **Output** to **Reactive power**, the block calculates the value from the pu_ed, pu_eq, pu_id, and pu_iq elements.

Output Parameter Setting	Output Value Expression
Field voltage (field circuit base, Efd)	pu_fd_Efd
Field current (field circuit base, Ifd)	pu_fd_Ifd
Electrical torque	pu_torque
Rotor velocity	pu_velocity
Stator d-axis voltage	pu_ed
Stator q-axis voltage	pu_eq
Stator zero-sequence voltage	pu_e0
Stator d-axis current	pu_id
Stator q-axis current	pu_iq
Stator zero-sequence current	pu_i0
Apparent power	$\sqrt{pu_Pt^2 + pu_Qt^2}$
Real power	$pu_Pt = (pu_ed*pu_id) + (pu_eq*pu_iq) + 2(pu_e0*pu_i0)$
Reactive power	$pu_Qt = (pu_eq*pu_id) - (pu_ed*pu_iq)$

Output Parameter Setting	Output Value Expression
Terminal voltage	$\sqrt{(pu_ed^2 + pu_eq^2)}$
Terminal current	$\sqrt{(pu_id^2 + pu_iq^2)}$
Power factor angle (rad)	<code>power_factor_angle = atan2(pu_Qt, pu_Pt)</code>
Power factor	<code>cos(power_factor_angle)</code>
Load angle (rad)	<code>load_angle(rad) = atan2(pu_ed, pu_eq)</code>
Rotor electrical angle	<code>y = pi+2*atan(tan((u-pi)/2))</code>

Ports

Input

pu — Per-unit measurements from a connected synchronous machine

physical

Physical signal vector port associated with per-unit measurements from a connected synchronous machine. The vector elements are:

- pu_fd_Efd
- pu_fd_Ifd
- pu_torque
- pu_velocity
- pu_ed
- pu_eq
- pu_e0
- pu_id
- pu_iq
- pu_i0

Output

o — Per-unit measurement output port

physical

Physical signal output port associated with the per-unit measurement.

Parameters

Output — Per-unit measurement from synchronous machine

Field voltage (field circuit base, Efd) (default) | Field current (field circuit base, Ifd) | Electrical torque | Rotor velocity | Stator d-axis voltage | Stator q-axis voltage | Stator zero-sequence voltage | Stator d-axis current | Stator q-axis current | Stator zero-sequence current | Apparent power | Real power | Reactive power | Terminal voltage | Terminal current | Power factor angle | Power factor | Load angle | Rotor electrical angle

Per-unit measurement from synchronous machine. The default value is `Field voltage (field circuit base, Efd)`.

Extended Capabilities

C/C++ Code Generation

Generate C and C++ code using Simulink® Coder™.

See Also

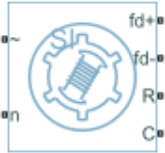
Synchronous Machine Model 1.0 | Synchronous Machine Field Circuit | Synchronous Machine Model 2.1 | Synchronous Machine Round Rotor | Synchronous Machine Salient Pole

Introduced in R2013b

Synchronous Machine Model 1.0

Synchronous machine with field circuit and no damper

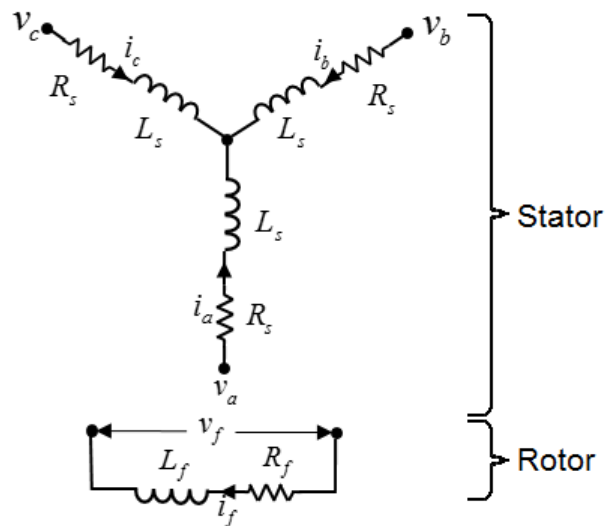
Library: Simscape / Electrical / Electromechanical / Synchronous



Description

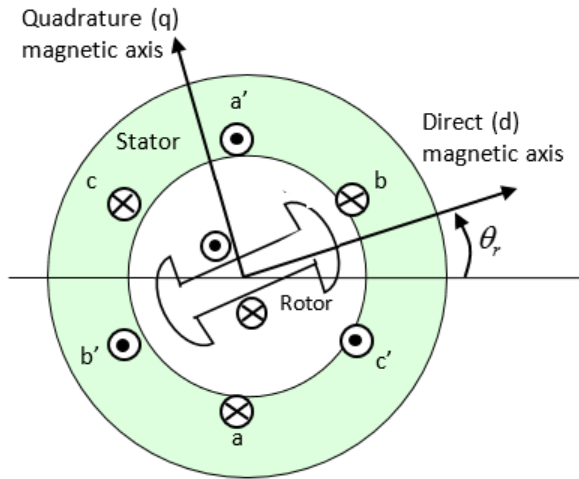
The Synchronous Machine Model 1.0 block uses a simplified parameterization model for synchronous machines. Use the block to model synchronous machines with a field winding and no dampers.

The figure shows the equivalent electrical circuit for the stator and rotor windings.



Motor Construction

The diagram shows the motor construction with a single pole pair on the rotor. For the axes convention, when rotor mechanical angle θ_r is zero, the a -phase and permanent magnet fluxes are aligned. The block supports a second rotor axis definition for which rotor mechanical angle is defined as the angle between the a -phase magnetic axis and the rotor q -axis.



Equations

Voltages across the stator windings are defined by

$$\begin{bmatrix} v_a \\ v_b \\ v_c \end{bmatrix} = \begin{bmatrix} R_s & 0 & 0 \\ 0 & R_s & 0 \\ 0 & 0 & R_s \end{bmatrix} \begin{bmatrix} i_a \\ i_b \\ i_c \end{bmatrix} + \begin{bmatrix} \frac{d\psi_a}{dt} \\ \frac{d\psi_b}{dt} \\ \frac{d\psi_c}{dt} \end{bmatrix},$$

where:

- v_a , v_b , and v_c are the individual phase voltages across the stator windings.
- R_s is the equivalent resistance of each stator winding.
- i_a , i_b , and i_c are the currents flowing in the stator windings.
- $\frac{d\psi_a}{dt}$, $\frac{d\psi_b}{dt}$, and $\frac{d\psi_c}{dt}$ are the rates of change of magnetic flux in each stator winding.

The voltage across the field winding is expressed as

$$v_f = R_f i_f + \frac{d\psi_f}{dt},$$

where:

- v_f is the individual phase voltage across the field winding.
- R_f is the equivalent resistance of the field winding.
- i_f is the current flowing in the field winding.
- $\frac{d\psi_f}{dt}$ is the rate of change of magnetic flux in the field winding.

The permanent magnet, excitation winding, and the three star-wound stator windings contribute to the flux linking each winding. The total flux is defined by

$$\begin{bmatrix} \psi_a \\ \psi_b \\ \psi_c \end{bmatrix} = \begin{bmatrix} L_{aa} & L_{ab} & L_{ac} \\ L_{ba} & L_{bb} & L_{bc} \\ L_{ca} & L_{cb} & L_{cc} \end{bmatrix} \begin{bmatrix} i_a \\ i_b \\ i_c \end{bmatrix} + \begin{bmatrix} \psi_{am} \\ \psi_{bm} \\ \psi_{cm} \end{bmatrix} + \begin{bmatrix} L_{amf} \\ L_{bmf} \\ L_{cmf} \end{bmatrix} i_f,$$

where:

- ψ_a , ψ_b , and ψ_c are the total fluxes linking each stator winding.
- L_{aa} , L_{bb} , and L_{cc} are the self-inductances of the stator windings.
- L_{ab} , L_{ac} , L_{ba} , L_{bc} , L_{ca} , and L_{cb} are the mutual inductances of the stator windings.
- ψ_{am} , ψ_{bm} , and ψ_{cm} are the magnetization fluxes linking the stator windings.
- L_{amf} , L_{bmf} , and L_{cmf} are the mutual inductances of the field winding.

The inductances in the stator windings are functions of rotor electrical angle and are defined by

$$\theta_e = N\theta_r + \text{rotor offset}$$

$$L_{aa} = L_s + L_m \cos(2\theta_e),$$

$$L_{bb} = L_s + L_m \cos(2(\theta_e - 2\pi/3)),$$

$$L_{cc} = L_s + L_m \cos(2(\theta_e + 2\pi/3)),$$

$$L_{ab} = L_{ba} = -M_s - L_m \cos(2(\theta_e + \pi/6)),$$

$$L_{bc} = L_{cb} = -M_s - L_m \cos(2(\theta_e + \pi/6 - 2\pi/3)),$$

$$L_{ca} = L_{ac} = -M_s - L_m \cos(2(\theta_e + \pi/6 + 2\pi/3)),$$

where:

- N is the number of rotor pole pairs.
- θ_r is the rotor mechanical angle.
- θ_e is the rotor electrical angle.
- *rotor offset* is θ if you define the rotor electrical angle with respect to the d-axis, or $-\pi/2$ if you define the rotor electrical angle with respect to the q-axis.
- L_s is the stator self-inductance per phase. This value is the average self-inductance of each of the stator windings.
- L_m is the stator inductance fluctuation. This value is the fluctuation in self-inductance and mutual inductance with changing rotor angle.
- M_s is the stator mutual inductance. This value is the average mutual inductance between the stator windings.

The magnetization flux linking winding, $a-a'$ is a maximum when $\theta_e = 0^\circ$ and zero when $\theta_e = 90^\circ$. Therefore:

$$L_{mf} = \begin{bmatrix} L_{amf} \\ L_{bmf} \\ L_{cmf} \end{bmatrix} = \begin{bmatrix} L_{mf} \cos \theta_e \\ L_{mf} \cos(\theta_e - 2\pi/3) \\ L_{mf} \cos(\theta_e + 2\pi/3) \end{bmatrix}$$

and

$$\Psi_f = L_f i_f + L_{mf}^T \begin{bmatrix} i_a \\ i_b \\ i_c \end{bmatrix},$$

where:

- L_{mf} is the mutual field armature inductance.
- ψ_f is the flux linking the field winding.
- L_f is the field winding inductance.
- $[L_{mf}]^T$ is the transform of the L_{mf} vector, that is,

$$[L_{mf}]^T = \begin{bmatrix} L_{amf} \\ L_{bmf} \\ L_{cmf} \end{bmatrix}^T = [L_{amf} \ L_{bmf} \ L_{cmf}].$$

Simplified Equations

Applying the Park transformation to the block electrical defining equations produces an expression for torque that is independent of rotor angle.

The Park transformation is defined by

$$P = 2/3 \begin{bmatrix} \cos\theta_e & \cos(\theta_e - 2\pi/3) & \cos(\theta_e + 2\pi/3) \\ -\sin\theta_e & -\sin(\theta_e - 2\pi/3) & -\sin(\theta_e + 2\pi/3) \\ 0.5 & 0.5 & 0.5 \end{bmatrix}$$

Applying the Park transformation to the first two electrical defining equations produces equations that define the block behavior:

$$v_d = R_s i_d + L_d \frac{di_d}{dt} + L_{mf} \frac{di_f}{dt} - N\omega i_q L_q,$$

$$v_q = R_s i_q + L_q \frac{di_q}{dt} + N\omega(i_d L_d + i_f L_{mf}),$$

$$v_0 = R_s i_0 + L_0 \frac{di_0}{dt},$$

$$v_f = R_f i_f + L_f \frac{di_f}{dt} + \frac{3}{2} L_{mf} \frac{di_d}{dt},$$

$$T = \frac{3}{2} N (i_q (i_d L_d + i_f L_{mf}) - i_d i_q L_q),$$

and

$$J \frac{d\omega}{dt} = T = T_L - B_m \omega.$$

where:

- v_d , v_q , and v_0 are the d -axis, q -axis, and zero-sequence voltages. These voltages are defined by

$$\begin{bmatrix} v_d \\ v_q \\ v_0 \end{bmatrix} = P \begin{bmatrix} v_a \\ v_b \\ v_c \end{bmatrix}.$$

- i_d , i_q , and i_0 are the d -axis, q -axis, and zero-sequence currents, defined by

$$\begin{bmatrix} i_d \\ i_q \\ i_0 \end{bmatrix} = P \begin{bmatrix} i_a \\ i_b \\ i_c \end{bmatrix}.$$

- L_d is the stator d -axis inductance. $L_d = L_s + M_s + 3/2 L_m$.
- ω is the mechanical rotational speed.
- L_q is the stator q -axis inductance. $L_q = L_s + M_s - 3/2 L_m$.
- L_0 is the stator zero-sequence inductance. $L_0 = L_s - 2M_s$.
- T is the rotor torque. For the Synchronous Machine Model 1.0 block, torque flows from the machine case (block conserving port **C**) to the machine rotor (block conserving port **R**).
- J is the rotor inertia.
- T_L is the load torque.
- B_m is the rotor damping.

Variables

Use the **Variables** settings to specify the priority and initial target values for the block variables before simulation. For more information, see “Set Priority and Initial Target for Block Variables”.

Assumptions

Flux distribution is sinusoidal.

Ports

Conserving

R — Machine rotor

mechanical rotational

Mechanical rotational conserving port associated with the machine rotor.

C — Machine case

mechanical rotational

Mechanical rotational conserving port associated with the machine case.

~ — Three-phase composite

electrical

Expandable three-phase port associated with the stator windings.

n – Neutral phase

electrical

Electrical conserving port associated with the neutral phase.

fd+ – Field winding positive terminal

electrical

Electrical conserving port associated with the field winding positive terminal.

fd- – Field winding negative terminal

electrical

Electrical conserving port associated with the field winding negative terminal.

Parameters**Main****Modeling fidelity – Modeling fidelity**Constant L_d , L_q , L_{mf} and L_f (default) | Tabulated L_d , L_q , L_{mf} and L_f

Select the modeling fidelity:

- Constant L_d , L_q , L_{mf} and L_f — L_d , L_q , L_{mf} , L_f , and PM values are constant and defined by their respective parameters.
- Tabulated L_d , L_q , L_{mf} and L_f — L_d , L_q , L_{mf} , L_f , and PM values are computed online from DQ and field currents look-up tables as follows:

$$L_d = f_1(i_d, i_q, i_f)$$

$$L_q = f_2(i_d, i_q, i_f)$$

$$L_{mf} = f_3(i_d, i_q, i_f)$$

$$L_f = f_4(i_f)$$

Dependencies

This parameter is visible only when you set the **Stator parameterization** parameter to **Specify L_d , L_q , and L_θ** .

Number of pole pairs – Rotor pole pairs

4 (default) | integer

Number of permanent magnet pole pairs on the rotor.

Stator parameterization – Parameterization methodSpecify L_d , L_q and L_θ (default) | Specify L_s , L_m , and M_s

Stator parameterization method.

Dependencies

The **Stator parameterization** setting affects the visibility of other parameters.

Stator d-axis inductance, L_d – Inductance

0.00015 H (default)

Direct-axis inductance of the machine stator.

Dependencies

This parameter is visible only when you set the **Stator parameterization** parameter to Specify L_d , L_q , and L_0 and the **Modeling fidelity** parameter to Constant L_d , L_q , L_{mf} and L_f .

Stator q-axis inductance, L_q – Inductance

0.00021 H (default)

Quadrature-axis inductance of the machine stator.

Dependencies

This parameter is visible only when you set the **Stator parameterization** parameter to Specify L_d , L_q , and L_0 and the **Modeling fidelity** parameter to Constant L_d , L_q , L_{mf} and L_f .

Direct-axis current vector, i_D – Direct-axis current vector

[-200, 0, 200] A (default)

Direct-axis current vector, i_D .**Dependencies**

This parameter is visible only when you set the **Stator parameterization** parameter to Specify L_d , L_q , and L_0 and the **Modeling fidelity** parameter to Tabulated L_d , L_q , L_{mf} and L_f .

Quadrature-axis current vector, i_Q – Quadrature-axis current vector

[-200, 0, 200] A (default)

Quadrature-axis current vector, i_Q .**Dependencies**

This parameter is visible only when you set the **Stator parameterization** parameter to Specify L_d , L_q , and L_0 and the **Modeling fidelity** parameter to Tabulated L_d , L_q , L_{mf} and L_f .

Excitation current vector, i_F – Excitation current vector

[-20, 0, 20] A (default)

Excitation current vector, i_F .**Dependencies**

This parameter is visible only when you set the **Stator parameterization** parameter to Specify L_d , L_q , and L_0 and the **Modeling fidelity** parameter to Tabulated L_d , L_q , L_{mf} and L_f .

Ld matrix, $L_d(i_D, i_Q, i_F)$ – Ld matrix

0.00015 * ones(3, 3, 3) H (default)

Ld matrix.

Dependencies

This parameter is visible only when you set the **Stator parameterization** parameter to Specify L_d , L_q , and L_0 and the **Modeling fidelity** parameter to Tabulated L_d , L_q , L_{mf} and L_f .

Lq matrix, Lq(id,iq,if) – Lq matrix

0.00021 * ones(3, 3, 3) H (default)

Lq matrix.

Dependencies

This parameter is visible only when you set the **Stator parameterization** parameter to Specify Ld, Lq, and L0 and the **Modeling fidelity** parameter to Tabulated Ld, Lq, Lmf and Lf.

Mutual field armature inductance, Lmf(id,iq,if) – Mutual field armature inductance

0.007 * ones(3, 3, 3) H (default)

Mutual field armature inductance.

Dependencies

This parameter is visible only when you set the **Stator parameterization** parameter to Specify Ld, Lq, and L0 and the **Modeling fidelity** parameter to Tabulated Ld, Lq, Lmf and Lf.

Lf vector, Lf(if) – Lf vector

0.5 * ones(1, 3) H (default)

Lf vector.

Dependencies

This parameter is visible only when you set the **Stator parameterization** parameter to Specify Ld, Lq, and L0, the **Modeling fidelity** parameter to Tabulated Ld, Lq, Lmf and Lf.

Stator zero-sequence inductance, L0 – Inductance

0.000012 H (default)

Zero-axis inductance for the machine stator.

Dependencies

This parameter is visible only if **Stator parameterization** is set to Specify Ld, Lq and L0 and **Zero sequence** is set to Include.

Stator self-inductance per phase, Ls – Inductance

0.00016 H (default)

Average self-inductance of the three stator windings. This parameter must be:

- Greater than 0.
- Greater than the magnitude of the **Stator inductance fluctuation, Lm**.
- Greater than the magnitude of the **Stator mutual inductance, Ms**.

Dependencies

This parameter is visible only if **Stator parameterization** is set to Specify Ls, Lm, and Ms.

Stator inductance fluctuation, Lm – Inductance

-0.00002 H (default)

Fluctuation in self-inductance and mutual inductance with the rotor angle.

Dependencies

This parameter is visible only if **Stator parameterization** is set to Specify Ls, Lm, and Ms.

Stator mutual inductance, Ms – Inductance

0.00002 H (default)

Average mutual inductance between the stator windings.

Dependencies

This parameter is visible only if **Stator parameterization** is set to Specify Ls, Lm, and Ms.

Field winding inductance, Lf – Inductance

0.5 H (default)

Inductance of the field winding.

Dependencies

This parameter is visible only when you set the **Stator parameterization** parameter to Specify Ld, Lq, and L0 and the **Modeling fidelity** parameter to Constant Ld, Lq, Lmf and Lf or **Stator parameterization** parameter to Specify Ls, Lm, and Ms

Mutual field armature inductance, Lmf – Inductance

0.007 H (default)

Armature-field mutual inductance.

Dependencies

This parameter is visible only when you set the **Stator parameterization** parameter to Specify Ld, Lq, and L0 and the **Modeling fidelity** parameter to Constant Ld, Lq, Lmf and Lf or **Stator parameterization** parameter to Specify Ls, Lm, and Ms

Stator resistance per phase, Rs – Resistance

0.08 Ohm (default)

Resistance of each of the stator windings.

Field winding resistance, Rf – Resistance

3 Ohm (default)

Resistance of the field winding.

Zero sequence – Zero-sequence model

Include (default) | Exclude

Zero-sequence model:

- **Include** — Prioritize model fidelity. An error occurs if you Include zero-sequence terms for simulations that use the Partitioning solver. For more information, see “Increase Simulation Speed Using the Partitioning Solver”.
- **Exclude** — Prioritize simulation speed for desktop simulation or real-time deployment.

Dependencies

If this parameter is set to:

- Include and **Stator parameterization** is set to **Specify Ld, Lq, and L0** — The **Stator zero-sequence inductance, L0** parameter is visible.
- Exclude — The **Stator zero-sequence inductance, L0** parameter is not visible.

Mechanical

Rotor inertia — Inertia

0.01 kg*m² (default)

Inertia of the rotor.

Rotor Damping — Damping

0 N*m/(rad/s) (default)

Damping of the rotor.

Rotor angle definition — Angle

Angle between the a-phase magnetic axis and the d-axis (default) | Angle between the a-phase magnetic axis and the q-axis

Reference point for the rotor angle measurement. If you select the default value, the rotor and *a*-phase fluxes are aligned for a zero-rotor angle. Otherwise, an *a*-phase current generates the maximum torque value for a zero-rotor angle.

References

- [1] Kundur, P. *Power System Stability and Control*. New York, NY: McGraw Hill, 1993.
- [2] Anderson, P. M. *Analysis of Faulted Power Systems*. IEEE Press, Power Systems Engineering, 1995.
- [3] Retif, J. M., X. Lin-Shi, A. M. Llor, and F. Morand “New hybrid direct-torque control for a winding rotor synchronous machine.” *2004 IEEE 35th Annual Power Electronics Specialists Conference*. Vol. 2 (2004): 1438-1442.
- [4] IEEE Power Engineering Society. IEEE Std 1110-2002. *IEEE Guide for Synchronous Generator Modeling Practices and Applications in Power System Stability Analyses*. Piscataway, NJ: IEEE, 2002.

Extended Capabilities

C/C++ Code Generation

Generate C and C++ code using Simulink® Coder™.

See Also

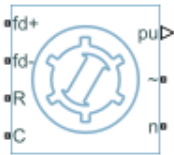
BLDC | Switched Reluctance Machine | Synchronous Machine Field Circuit | Synchronous Machine Measurement | Synchronous Machine Model 2.1 | Synchronous Machine Round Rotor | Synchronous Machine Salient Pole | Synchronous Reluctance Machine

Introduced in R2018a

Synchronous Machine Model 2.1

Synchronous machine with simplified transformation, simplified representation, and fundamental or standard parameterization

Library: Simscape / Electrical / Electromechanical / Synchronous



Description

The Synchronous Machine Model 2.1 block models a synchronous machine with one field winding and one damper on the d -axis and one damper on the q -axis. You use fundamental or standard parameters to define the characteristics of the machine. This block contains a dq Park transformation, so use it only for balanced operation.

Synchronous Machine Initialization Using Load-Flow Target Values

If the block is in a network that is compatible with the frequency-time simulation mode, you can perform a load-flow analysis on the network. A load-flow analysis provides steady-state values that you can use to initialize the machine.

For more information, see “Perform a Load-Flow Analysis Using Simscape Electrical” and “Frequency and Time Simulation Mode”. For an example that shows how initialize an synchronous machine using data from a load flow analysis, see “Synchronous Machine Initialization with Loadflow”.

Equations

The synchronous machine equations are expressed with respect to a rotating reference frame, defined by

$$\theta_e(t) = N\theta_r(t),$$

where:

- θ_e is the electrical angle.
- N is the number of pole pairs.
- θ_r is the rotor angle.

The Park transformation maps the synchronous machine equations to the rotating reference frame with respect to the electrical angle. The Park transformation is defined by

$$P_s = \frac{2}{3} \begin{bmatrix} \cos\theta_e & \cos(\theta_e - \frac{2\pi}{3}) & \cos(\theta_e + \frac{2\pi}{3}) \\ -\sin\theta_e & -\sin(\theta_e - \frac{2\pi}{3}) & -\sin(\theta_e + \frac{2\pi}{3}) \end{bmatrix}.$$

The Park transformation is used to define the per-unit synchronous machine equations. The stator voltage equations are defined by

$$e_d = e_d'' - R_a i_d + x_q'' i_q$$

and

$$e_q = e_q'' - x_d'' i_d - R_a i_q,$$

where:

- e_d'' and e_q'' are the d -axis and q -axis voltages behind subtransient reactances.
- R_a is the stator resistance.
- i_d and i_q are the d -axis and q -axis stator currents, defined by

$$\begin{bmatrix} i_d \\ i_q \end{bmatrix} = P_s \begin{bmatrix} i_a \\ i_b \\ i_c \end{bmatrix}.$$

i_a , i_b , and i_c are the stator currents flowing from port \sim to port n .

- x_d'' and x_q'' are the d -axis and q -axis subtransient reactances.
- e_d and e_q are the d -axis and q -axis stator voltages, defined by

$$\begin{bmatrix} e_d \\ e_q \end{bmatrix} = P_s \begin{bmatrix} v_a \\ v_b \\ v_c \end{bmatrix}.$$

v_a , v_b , and v_c are the stator voltages measured from port \sim to neutral port n .

The rotor voltage equation is defined by

$$e_{fd} = R_{fd} \cdot i_{fd},$$

where:

- R_{fd} is the resistance of rotor field circuit.
- i_{fd} is the per-unit field current using the synchronous machine model reciprocal per-unit system.
- e_{fd} is the per-unit field voltage using the synchronous machine model reciprocal per-unit system.

The voltage-behind-transient-reactance equations are defined by

$$\frac{de_d''}{dt} = \frac{(x_q - x_q'')i_q - e_d''}{T_{q0}'},$$

$$\frac{de_q'}{dt} = \frac{E_{fd} - (x_d - x_d')i_d - e_q'}{T_{d0}'},$$

and

$$\frac{de_q''}{dt} = \frac{e_q' - (x_d' - x_d'')i_d - e_q''}{T_{d0}''},$$

where:

- x_d and x_q are the d -axis and q -axis synchronous reactances.
- T''_{d0} and T''_{q0} are the d -axis and q -axis subtransient open-circuit time constants.
- E_{fd} is the per-unit field voltage using the exciter model nonreciprocal per-unit system.
- x'_d is the d -axis transient reactance.
- e'_q is the q -axis voltage behind transient reactance.
- T'_{d0} is the d -axis transient open-circuit time constant.

The rotor torque is defined by

$$T_e = e_d'' i_d + e_q'' i_q - (x_d'' - x_q'') i_d i_q.$$

These defining equations do not describe the parameters you can set in the dialog box. To see their relationship with the equation coefficients, see the book of P. Kundur about understanding, modeling, analyzing, and mitigating power system stability and control problems [1].

Display Options

You can perform display actions using the **Electrical** menu on the block context menu.

Right-click the block and, from the **Electrical** menu, select an option:

- **Display Base Values** displays the machine per-unit base values in the MATLAB Command Window.
- **Display Associated Base Values** displays associated per-unit base values in the MATLAB Command Window.
- **Display Associated Initial Conditions** displays associated initial conditions in the MATLAB Command Window.

Variables

The **Variables** settings allow you to specify the priority and initial target values for block variables before simulation. For more information, see “Set Priority and Initial Target for Block Variables”.

For this block, the **Variables** settings are visible only if, in the **Initial Conditions** settings, the **Initialization option** parameter is set to Set targets for rotor angle and Park's transform variables.

Ports

Output

pu — Machine per-unit measurements

physical

Physical signal vector port associated with the machine per-unit measurements. The vector elements are:

- Field voltage (field circuit base, Efd), pu_fd_Efd
- Field current (field circuit base, Ifd), pu_fd_Ifd

- Electrical torque, *pu_torque*
- Rotor velocity, *pu_velocity*
- Stator d-axis voltage, *pu_ed*
- Stator q-axis voltage, *pu_eq*
- Stator zero-sequence voltage, *pu_e0* — This port is provided to maintain a compatible interface with other machine models. Its value is always zero.
- Stator d-axis current, *pu_id*
- Stator q-axis current, *pu_iq*
- Stator zero-sequence current, *pu_i0* — This port is provided to maintain a compatible interface with other machine models. Its value is always zero.
- Rotor electrical angle, *electrical_angle_out*

To connect to this port, use the Synchronous Machine Measurement block.

Conserving

fd+ — Field winding positive terminal

electrical

Electrical conserving port associated with the field winding positive terminal.

fd- — Field winding negative terminal

electrical

Electrical conserving port associated with the field winding negative terminal.

R — Machine rotor

mechanical

Mechanical rotational conserving port associated with the machine rotor.

C — Machine case

mechanical

Mechanical rotational conserving port associated with the machine case.

~ — Stator windings

electrical

Expandable three-phase port associated with the stator windings.

n — Neutral phase

electrical

Electrical conserving port associated with the neutral point of the wye winding configuration. This port is provided to maintain a compatible interface for existing machine models. The voltage and current on this port are ignored.

Parameters

Main

Rated apparent power — Rated apparent power

555e6 V*A (default)

Rated apparent power.

Rated voltage — RMS rated line-line voltage

24e3 V (default)

RMS rated line-line voltage.

Rated electrical frequency — Nominal electrical frequency

60 Hz (default)

Nominal electrical frequency at which rated apparent power is quoted.

Number of pole pairs — Number of pole pairs

1 (default)

Number of machine pole pairs.

Specify parameterization by — Block parameterization

Fundamental parameters (default) | Standard parameters

Block parameterization method. Options are:

- **Fundamental parameters** — Fundamental parameters are visible in the **Impedances** settings and the **Time Constants** settings are not visible.
- **Standard parameters** — Standard parameters are visible in the **Impedances** and the **Time Constants** settings are visible.

This parameter affects the visibility of the **Time Constant** settings and the parameters in the **Impedances** settings.

Specify field circuit input required to produce rated terminal voltage at no load by — Specify field circuit input required to produce rated terminal voltage at no load by

Field circuit current (default) | Field circuit voltage

Field circuit parameterization method. Options are:

- **Field circuit voltage** — Specify the field circuit in terms of voltage.
- **Field circuit current** — Specify the field circuit in terms of current. This method is the default field-circuit parameterization method.

This parameter affects the visibility of the **Field circuit voltage** and **Field circuit current** parameters.

Field circuit voltage — Field circuit voltage

92.95 V (default)

Voltage across field circuit which produces rated voltage at machine terminals.

Dependencies

This parameter is visible only if the **Specify field circuit input required to produce rated terminal voltage at no load by** parameter is set to Field circuit voltage.

Field circuit current — Field circuit current

1300 A (default)

Current in field circuit which produces rated voltage at machine terminals.

Dependencies

This parameter is visible only if the **Specify field circuit input required to produce rated terminal voltage at no load by** parameter is set to Field circuit current.

Rotor angle definition — Reference point for the rotor angle measurement

Angle between the a-phase magnetic axis and the d-axis (default) | Angle between the a-phase magnetic axis and the q-axis

Reference point for the rotor angle measurement.

When you select the default value, the rotor *d*-axis and stator *a*-phase magnetic axis are aligned when the rotor angle is zero.

The other value you can choose for this parameter is Angle between the a-phase magnetic axis and the q-axis. When you select this value, the rotor *q*-axis and stator *a*-phase magnetic axis are aligned when the rotor angle is zero.

Impedances**Stator d-axis mutual inductance (unsaturated), L_{adu} — Stator d-axis mutual inductance (unsaturated)**

1.66 (default) | positive scalar

Unsaturated stator *d*-axis mutual inductance. This parameter must be greater than 0.

Dependencies

This parameter is visible only if the **Specify parameterization by** parameter is set to Fundamental parameters.

Stator q-axis mutual inductance (unsaturated), L_{aqu} — Stator q-axis mutual inductance (unsaturated)

1.61 (default) | positive scalar

Unsaturated stator *q*-axis mutual inductance. This parameter must be greater than 0.

Dependencies

This parameter is visible only if the **Specify parameterization by** parameter is set to Fundamental parameters.

Stator leakage inductance, L_l — Stator leakage inductance

0.15 (default) | positive scalar

Stator leakage inductance. This parameter must be greater than 0.

Dependencies

This parameter is visible only if the **Specify parameterization by** parameter is set to Fundamental parameters.

Stator resistance, Ra — Stator resistance

0.003 (default) | positive scalar

Stator resistance. This parameter must be greater than 0.

Rotor field circuit inductance, Lfd — Rotor field circuit inductance

0.165 (default) | positive scalar

Rotor field circuit inductance. This parameter must be greater than 0.

Rotor field circuit resistance, Rfd — Rotor field circuit resistance

0.0006 (default) | positive scalar

Rotor field circuit resistance. This parameter must be greater than 0.

Dependencies

This parameter is visible only if the **Specify parameterization by** parameter is set to Fundamental parameters.

Rotor d-axis damper winding 1 inductance, L1d — Rotor d-axis damper winding 1 inductance

0.1713 (default) | positive scalar

Rotor *d*-axis damper winding 1 inductance. This parameter must be greater than 0.

Dependencies

This parameter is visible only if the **Specify parameterization by** parameter is set to Fundamental parameters.

Rotor d-axis damper winding 1 resistance, R1d — Rotor d-axis damper winding 1 resistance

0.0284 (default) | positive scalar

Rotor *d*-axis damper winding 1 resistance. This parameter must be greater than 0.

Dependencies

This parameter is visible only if the **Specify parameterization by** parameter is set to Fundamental parameters.

Rotor q-axis damper winding 1 inductance, L1q — Rotor q-axis damper winding 1 inductance

0.1066 (default) | positive scalar

Rotor *q*-axis damper winding 1 inductance. This parameter must be greater than 0.

Dependencies

This parameter is visible only if the **Specify parameterization by** parameter is set to Fundamental parameters.

Rotor q-axis damper winding 1 resistance, $R1q$ – Rotor q-axis damper winding 1 resistance

0.0650 (default) | positive scalar

Rotor q -axis damper winding 1 resistance. This parameter must be greater than 0.

Dependencies

This parameter is visible only if the **Specify parameterization by** parameter is set to Fundamental parameters.

Stator leakage reactance, Xl – Stator leakage reactance

0.15 (default) | positive scalar

Stator leakage reactance. This parameter must be greater than 0.

Dependencies

This parameter is visible only if the **Specify parameterization by** parameter is set to Standard parameters.

d-axis synchronous reactance, Xd – d-axis synchronous reactance

1.81 (default) | positive scalar

d -axis synchronous reactance. This parameter must be greater than 0.

Dependencies

This parameter is visible only if the **Specify parameterization by** parameter is set to Standard parameters.

q-axis synchronous reactance, Xq – q-axis synchronous reactance

1.76 (default) | positive scalar

q -axis synchronous reactance. This parameter must be greater than 0.

Dependencies

This parameter is visible only if the **Specify parameterization by** parameter is set to Standard parameters.

d-axis transient reactance, Xd' – d-axis transient reactance

0.3 (default) | positive scalar

d -axis transient reactance. This parameter must be greater than 0.

Dependencies

This parameter is visible only if the **Specify parameterization by** parameter is set to Standard parameters.

d-axis subtransient reactance, Xd'' – d-axis subtransient reactance

0.23 (default) | positive scalar

d -axis subtransient reactance. This parameter must be greater than 0.

Dependencies

This parameter is visible only if the **Specify parameterization by** parameter is set to Standard parameters.

q-axis subtransient reactance, X_q'' — q-axis subtransient reactance

0.25 (default) | positive scalar

q-axis subtransient reactance. This parameter must be greater than 0.

Dependencies

This parameter is visible only if the **Specify parameterization by** parameter is set to Standard parameters.

Time Constants**Specify d-axis time constant — Specify d-axis time constant**

Open circuit (default) | Short circuit

Select between Open circuit and Short circuit.

The setting for this parameter affects the visibility of the *d*-axis time constant parameters.

d-axis transient open-circuit, T_{d0}' — d-axis transient open-circuit

8 s (default) | positive scalar

d-axis transient open-circuit time constant. This parameter must be:

- Greater than 0.
- Greater than **d-axis subtransient open-circuit, T_{d0}''** .

Dependencies

This parameter is visible only if the **Specify d-axis transient time constant** parameter is set to Open circuit.

d-axis transient short-circuit, T_d' — d-axis transient short-circuit

1.3260 s (default) | positive scalar

d-axis transient short-circuit time constant. This parameter must be:

- Greater than 0.
- Greater than **d-axis subtransient short-circuit, T_d''** .

Dependencies

This parameter is visible only if the **Specify d-axis transient time constant** parameter is set to Short circuit.

d-axis subtransient open-circuit, T_{d0}'' — d-axis subtransient open-circuit

0.03 s (default) | positive scalar

d-axis subtransient open-circuit time constant. This parameter must be greater than 0.

Dependencies

This parameter is visible only if the **Specify d-axis transient time constant** parameter is set to `Open circuit`.

d-axis subtransient short-circuit, Td'' – d-axis subtransient short-circuit

0.0230 s (default) | positive scalar

d -axis subtransient short-circuit time constant. This parameter must be greater than 0.

Dependencies

This parameter is visible only if the **Specify d-axis transient time constant** parameter is set to `Short circuit`.

Specify q-axis time constant – Specify q-axis time constant

`Open circuit` (default) | `Short circuit`

Select between `Open circuit` and `Short circuit`.

The setting for this parameter affects the visibility of the q -axis time constant parameters.

q-axis subtransient open-circuit, $Tq\theta''$ – q-axis subtransient open-circuit

0.07 s (default) | positive scalar

q -axis subtransient open-circuit time constant. This parameter must be greater than 0.

Dependencies

This parameter is visible only if the **Specify q-axis transient time constant** parameter is set to `Open circuit`.

q-axis subtransient short-circuit, Tq'' – q-axis subtransient short-circuit

0.0269 s (default) | positive scalar

q -axis subtransient short-circuit time constant. This parameter must be greater than 0.

Dependencies

This parameter is visible only if the **Specify q-axis transient time constant** parameter is set to `Short circuit`.

Initial Conditions**Initialization option – Initialization option**

`Set real power, reactive power, terminal voltage, and terminal phase` (default) | `Set targets for rotor angle and Park's transform variables` | `Set targets for load flow variables`

Model for specifying values for certain parameters and variables at the start of simulation. To:

Set an operating point regardless of the connected network, select `Set real power, reactive power, terminal voltage and terminal phase`.

- Specify the priority and initial target values for block variables before simulation using the **Variables** settings, select `Set targets for rotor angle and Park's transform variables`. For more information, see “Set Priority and Initial Target for Block Variables”.

- Select a bus type and specify the related parameters for a load-flow analysis in the **Initial Conditions** settings, select Set targets for load flow variables.

Dependencies

If you set this parameter to:

- Set targets for rotor angle and Park's transform variables — The **Variables** settings become visible.
- Set real power, reactive power, terminal voltage, and terminal phase — Related parameters become visible.
- Set targets for load flow variables — Related parameters become visible.

Source type — Voltage source model

Swing bus (default) | Voltage source with series impedance | PV bus | PQ bus

Type of voltage source that the block models.

Dependencies

This parameter is visible only if the **Initialization option** parameter is set to Set targets for load flow variables and the **Source type** parameter is set to Swing bus or PV bus.

The visibility of **Terminal voltage magnitude**, **Terminal voltage angle**, **Active power generated**, **Reactive power generated**, **Minimum terminal voltage magnitude (pu)**, **Phase search range at terminals**, and **Phase search range at terminals** depend on the value that you choose for this parameter.

Terminal voltage magnitude — Terminal voltage magnitude

24e3 V (default)

Terminal voltage magnitude.

Dependencies

This parameter is visible only if the **Initialization option** parameter is set to Set real power, reactive power, terminal voltage, and terminal phase or if the **Initialization option** parameter is set to Set targets for load flow variables and the **Source type** parameter is set to Swing bus or PV bus.

Terminal voltage angle — Terminal voltage angle

0 deg (default)

Terminal voltage angle.

Dependencies

This parameter is visible only if the **Initialization option** parameter is set to Set real power, reactive power, terminal voltage, and terminal phase or if the **Initialization option** parameter is set to Set targets for load flow variables and the **Source type** parameter is set to Swing bus.

Active power generated — Active power generated

500e6 V*A (default)

Active power generated.

Dependencies

This parameter is visible only if the **Initialization option** parameter is set to Set real power, reactive power, terminal voltage, and terminal phase or if the **Initialization option** parameter is set to Set targets for load flow variables and the **Source type** parameter is set to PV bus or PQ bus.

Reactive power generated — Reactive power generated

0 V*A (default)

Reactive power generated.

Dependencies

This parameter is visible only if the **Initialization option** parameter is set to Set real power, reactive power, terminal voltage, and terminal phase or if the **Initialization option** parameter is set to Set targets for load flow variables and the **Source type** parameter is set to PQ bus.

Minimum terminal voltage magnitude (pu) — Minimum terminal voltage magnitude

0.95 (default)

Per-unit minimum steady-state voltage magnitude.

Dependencies

This parameter is visible only if the **Initialization option** parameter is set to Set targets for load flow variables and the **Source type** parameter is set to PQ bus.

Phase search range at terminals — Phase search range at terminals

[-inf, inf] deg (default)

Vector that defines the phase angle search range.

Dependencies

This parameter is visible only if the **Initialization option** parameter is set to Set targets for load flow variables and the **Source type** parameter is set to PV bus or PQ bus.

Parasitic conductance to electrical reference — Parasitic conductance to electrical reference

1e-6 S (default)

Parasitic conductance to the electrical reference.

Dependencies

This parameter is visible only if the **Initialization option** parameter is set to Set targets for load flow variables.

References

- [1] Kundur, P. *Power System Stability and Control*. New York: McGraw Hill, 1993.
- [2] Lyshevski, S. E. *Electromechanical Systems, Electric Machines and Applied Mechatronics*. Boca Raton, FL: CRC Press, 1999.

[3] Pal, M. K. *Lecture Notes on Power System Stability*. June, 2007.

Extended Capabilities

C/C++ Code Generation

Generate C and C++ code using Simulink® Coder™.

See Also

Synchronous Machine Model 1.0 | Synchronous Machine Field Circuit | Synchronous Machine Measurement | Synchronous Machine Round Rotor | Synchronous Machine Salient Pole

Topics

“Perform a Load-Flow Analysis Using Simscape Electrical”

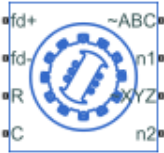
“Expand and Collapse Three-Phase Ports on a Block”

Introduced in R2015a

Synchronous Machine (Six-Phase)

Six-phase synchronous machine

Library: Simscape / Electrical / Electromechanical / Synchronous

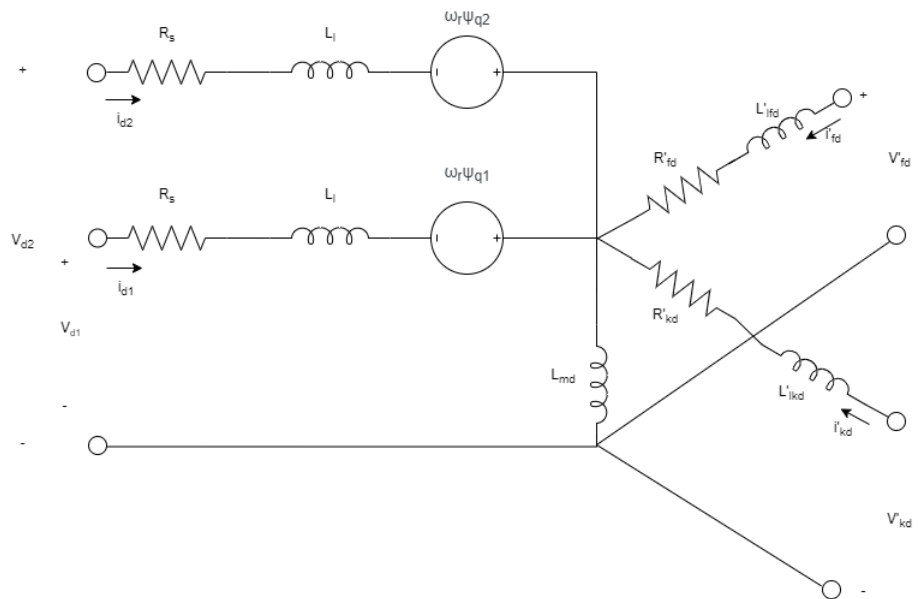


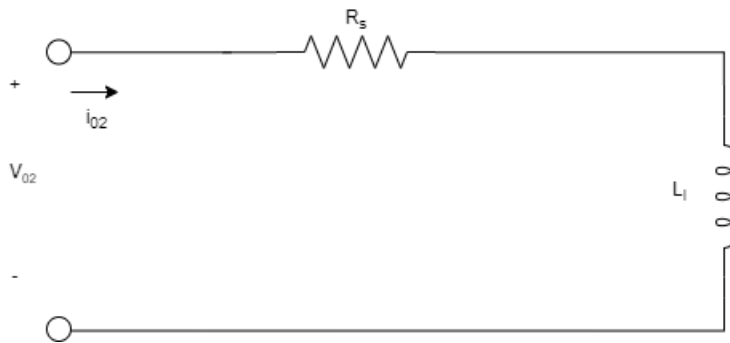
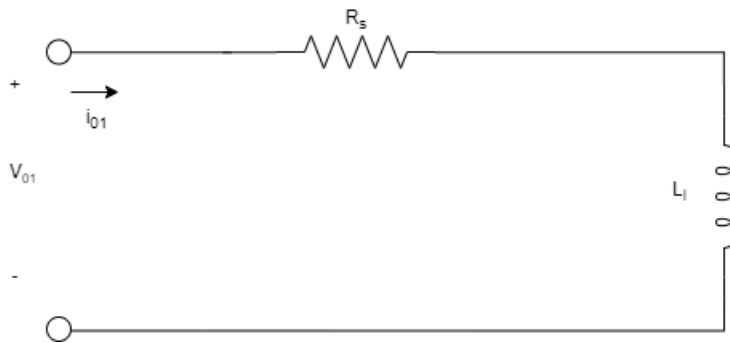
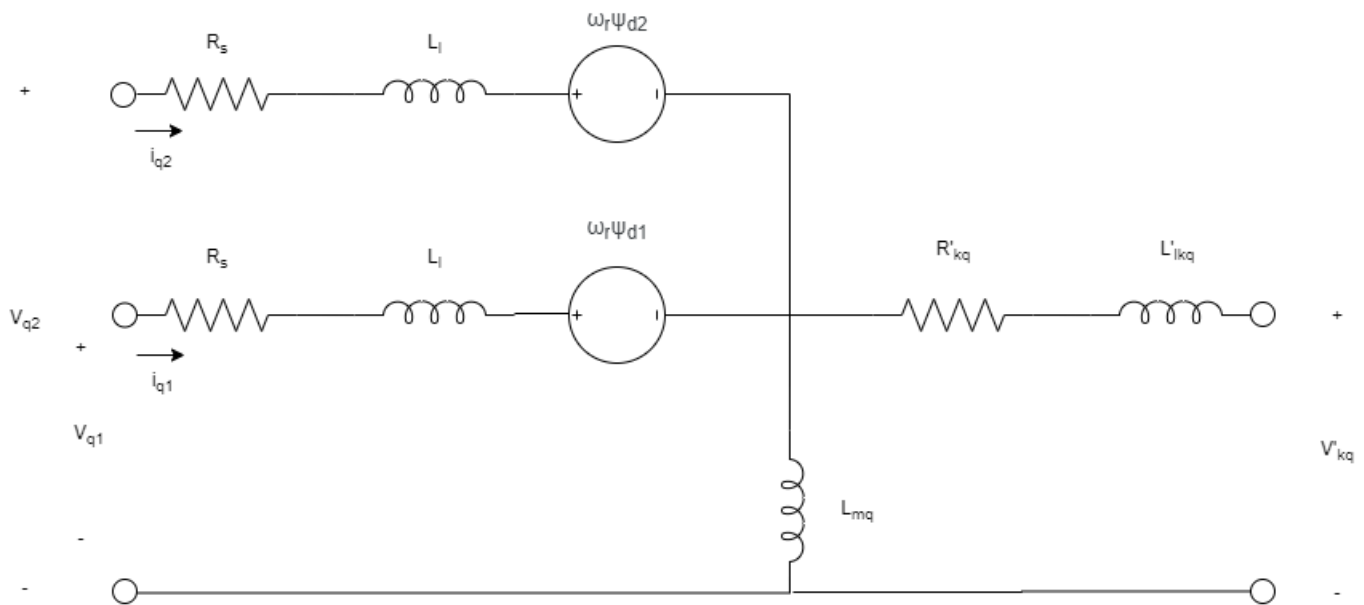
Description

The Synchronous Machine (Six-Phase) block models a six-phase synchronous machine, also known as a dual-star machine.

A six-phase synchronous machine has two groups of stator windings: the ABC group and the XYZ group. These two groups have a 30 degree phase shift.

The equivalent circuits of the six-phase synchronous machine for the direct axis, the quadrature axis, and the two zero sequence are:





Equations

The synchronous machine equations are expressed with respect to a synchronously rotating reference frame, defined by:

$$\theta_e(t) = N\theta_r(t) + x_rotor_offset,$$

where:

- θ_e is the rotor electrical angle.
- N is the number of pole pairs.
- θ_r is the rotor mechanical angle.
- x_{rotor_offset} is θ if you define the rotor electrical angle with respect to the d -axis, or $-\pi/2$ if you define the rotor electrical angle with respect to the q -axis.

Two Park transformations map the synchronous machine equations to the rotating reference frame with respect to the electrical angle. The Park transformation for the first group of stator windings, the ABC group, is defined by:

$$P_{s1} = \frac{2}{3} \begin{bmatrix} \cos\theta_e & \cos\left(\theta_e - \frac{2\pi}{3}\right) & \cos\left(\theta_e + \frac{2\pi}{3}\right) \\ -\sin\theta_e & -\sin\left(\theta_e - \frac{2\pi}{3}\right) & -\sin\left(\theta_e + \frac{2\pi}{3}\right) \\ \frac{1}{2} & \frac{1}{2} & \frac{1}{2} \end{bmatrix}.$$

The Park transformation for the second group of stator windings, the XYZ group, is defined by:

$$P_{s2} = \frac{2}{3} \begin{bmatrix} \cos\left(\theta_e - \frac{\pi}{6}\right) & \cos\left(\theta_e - \frac{5\pi}{6}\right) & \cos\left(\theta_e + \frac{\pi}{2}\right) \\ -\sin\left(\theta_e - \frac{\pi}{6}\right) & -\sin\left(\theta_e - \frac{5\pi}{6}\right) & \sin\left(\theta_e + \frac{\pi}{2}\right) \\ \frac{1}{2} & \frac{1}{2} & \frac{1}{2} \end{bmatrix}.$$

The Park transformations are used to define the per-unit synchronous machine equations.

The stator voltage equations for the ABC group are defined by:

$$v_{d1} = R_s i_{d1} - \psi_{q1} \omega_r + \frac{1}{\omega_{base}} \frac{d\psi_{d1}}{dt}$$

$$v_{q1} = R_s i_{q1} + \psi_{d1} \omega_r + \frac{1}{\omega_{base}} \frac{d\psi_{q1}}{dt}$$

$$v_{01} = R_s i_{01} + \frac{1}{\omega_{base}} \frac{d\psi_{01}}{dt}$$

where:

- v_{d1} , v_{q1} , and v_{01} are the d -axis, q -axis, and zero-sequence ABC stator voltages, defined by:

$$\begin{bmatrix} v_{d1} \\ v_{q1} \\ v_{01} \end{bmatrix} = P_{s1} \begin{bmatrix} v_a \\ v_b \\ v_c \end{bmatrix}.$$

v_a , v_b , and v_c are the ABC stator voltages measured from port $\sim\mathbf{ABC}$ to neutral port $\mathbf{n1}$.

- ω_{base} is the per-unit base electrical speed.
- ψ_{d1} , ψ_{q1} , and ψ_{01} are the d -axis, q -axis, and zero-sequence stator flux linkages for the ABC group.

- ω_r is the per-unit rotor rotational speed.
- R_s is the stator resistance.
- i_{d1} , i_{q1} , and i_{01} are the d -axis, q -axis, and zero-sequence ABC stator currents, defined by:

$$\begin{bmatrix} i_{d1} \\ i_{q1} \\ i_{01} \end{bmatrix} = P_{s1} \begin{bmatrix} i_A \\ i_B \\ i_C \end{bmatrix}.$$

i_a , i_b , and i_c are the ABC stator currents flowing from port $\sim\mathbf{ABC}$ to port $\mathbf{n1}$.

The stator voltage equations for the XYZ group are defined by:

$$v_{d2} = R_s i_{d2} - \psi_{q2} \omega_r + \frac{1}{\omega_{base}} \frac{d\psi_{d2}}{dt}$$

$$v_{q2} = R_s i_{q2} + \psi_{d2} \omega_r + \frac{1}{\omega_{base}} \frac{d\psi_{q2}}{dt}$$

$$v_{02} = R_s i_{02} + \frac{1}{\omega_{base}} \frac{d\psi_{02}}{dt}$$

where:

- v_{d2} , v_{q2} , and v_{02} are the d -axis, q -axis, and zero-sequence XYZ stator voltages, defined by:

$$\begin{bmatrix} v_{d2} \\ v_{q2} \\ v_{02} \end{bmatrix} = P_{s2} \begin{bmatrix} v_x \\ v_y \\ v_z \end{bmatrix}.$$

v_x , v_y , and v_z are the XYZ stator voltages measured from port $\sim\mathbf{XYZ}$ to neutral port $\mathbf{n2}$.

- ψ_{d2} , ψ_{q2} , and ψ_{02} are the d -axis, q -axis, and zero-sequence stator flux linkages for the XYZ group.
- i_{d2} , i_{q2} , and i_{02} are the d -axis, q -axis, and zero-sequence XYZ stator currents, defined by:

$$\begin{bmatrix} i_{d2} \\ i_{q2} \\ i_{02} \end{bmatrix} = P_{s2} \begin{bmatrix} i_X \\ i_Y \\ i_Z \end{bmatrix}.$$

i_x , i_y , and i_z are the XYZ stator currents flowing from port $\sim\mathbf{XYZ}$ to port $\mathbf{n2}$.

The rotor voltage equations are defined by:

$$v'_{fd} = R'_{fd} i'_{fd} + \frac{1}{\omega_{base}} \frac{d\psi'_{fd}}{dt}$$

$$v'_{kd} = R'_{kd} i'_{kd} + \frac{1}{\omega_{base}} \frac{d\psi'_{kd}}{dt} = 0$$

$$v'_{kq} = R'_{kq} i'_{kq} + \frac{1}{\omega_{base}} \frac{d\psi'_{kq}}{dt} = 0$$

where:

- v'_{fd} is the field winding voltage referred to the stator side.
- v'_{kd} and v'_{kq} are the dq -axes damper winding voltages referred to the stator side. They are all equal to 0.
- ψ'_{fd} , ψ'_{kd} , and ψ'_{kq} are the magnetic fluxes linking the field circuit, the d -axis damper winding, and the q -axis damper winding.
- R'_{fd} , R'_{kd} , and R'_{kq} are the resistances of the rotor field circuit, d -axis damper winding, and q -axis damper winding.
- i'_{fd} , i'_{kd} , and i'_{kq} are the field and dq -axes damper winding currents referred to the stator side.

The stator flux linkage equations are defined by:

$$\psi_{d1} = L_l i_{d1} + L_{md}(i_{d1} + i_{d2} + i'_{fd} + i'_{kd})$$

$$\psi_{q1} = L_l i_{q1} + L_{mq}(i_{q1} + i_{q2} + i'_{kq})$$

$$\psi_{01} = L_l i_{01}$$

$$\psi_{d2} = L_l i_{d2} + L_{md}(i_{d1} + i_{d2} + i'_{fd} + i'_{kd})$$

$$\psi_{q2} = L_l i_{q2} + L_{mq}(i_{q1} + i_{q2} + i'_{kq})$$

$$\psi_{02} = L_l i_{02}$$

where:

- L_l is the stator leakage inductance.
- L_{md} and L_{mq} are the mutual inductances of the stator d -axis and q -axis.

The rotor flux linkage equations are defined by:

$$\psi'_{fd} = L'_{lfd} i'_{fd} + L_{md}(i_{d1} + i_{d2} + i'_{fd} + i'_{kd})$$

$$\psi'_{kd} = L'_{lkd} i'_{kd} + L_{md}(i_{d1} + i_{d2} + i'_{fd} + i'_{kd})$$

$$\psi'_{kq} = L'_{lkq} i'_{kq} + L_{mq}(i_{q1} + i_{q2} + i'_{kq})$$

where:

- L'_{lfd} is the rotor field winding inductance.
- L'_{lkd} is the rotor d -axis damper winding inductance.
- L'_{lkq} is the rotor q -axis damper winding inductance.

The rotor torque is defined by:

$$T_e = \psi_{d1} i_{q1} - \psi_{q1} i_{d1} + \psi_{d2} i_{q2} - \psi_{q2} i_{d2}.$$

Variables

The **Variables** settings allow you to specify the priority and initial target values for block variables before simulation. For more information, see “Set Priority and Initial Target for Block Variables”.

For this block, the **Variables** settings are visible only if, in the **Initial Conditions** settings, the **Initialization option** parameter is set to Set targets for rotor angle and Park's transform variables.

Ports

Conserving

fd+ — Field winding positive terminal

electrical

Electrical conserving port associated with the field winding positive terminal.

fd- — Field winding negative terminal

electrical

Electrical conserving port associated with the field winding negative terminal.

R — Machine rotor

mechanical

Mechanical rotational conserving port associated with the machine rotor.

C — Machine case

mechanical

Mechanical rotational conserving port associated with the machine case.

~ABC — Stator ABC windings

electrical

Three-phase electrical port associated with the stator ABC windings.

n1 — ABC winding neutral point

electrical

Electrical conserving port associated with the neutral point of the ABC winding configuration.

~XYZ — Stator XYZ windings

electrical

Three-phase electrical port associated with the stator XYZ windings.

n2 — XYZ winding neutral point

electrical

Electrical conserving port associated with the neutral point of the XYZ winding configuration.

Parameters

Main

Nominal power — Nominal power

100e3 V*A (default) | scalar

Nominal power.

Nominal voltage (line-to-line, rms) — Nominal root mean square voltage

240 V (default) | scalar

Nominal root mean square (RMS) line-to-line voltage.

Nominal electrical frequency — Nominal electrical frequency

60 Hz (default) | scalar

Nominal electrical frequency at which the nominal power is quoted.

Number of pole pairs — Rotor pole pairs

2 (default) | positive scalar

Number of machine pole pairs.

Zero sequence — Zero sequence model

Include (default) | Exclude

Zero-sequence model with two options:

- **Include** — Prioritize model fidelity. An error occurs if you Include zero-sequence terms for simulations that use the Partitioning solver. For more information, see “Increase Simulation Speed Using the Partitioning Solver”.
- **Exclude** — Prioritize simulation speed for desktop simulation or real-time deployment.

Rotor angle definition — Rotor angle reference point

Angle between the a-phase magnetic axis and the d-axis (default) | Angle between the a-phase magnetic axis and the q-axis

Reference point for the rotor angle measurement. If you select the default value, the rotor and *a*-phase fluxes are aligned for a zero-rotor angle. Otherwise, an *a*-phase current generates the maximum torque value for a zero-rotor angle.

Impedances

Stator resistance, R_s — Stator resistance

0.0288 (default) | positive scalar

Resistance of the stator. This parameter must be greater than 0.

Stator leakage inductance, L_l — Stator leakage inductance

0.0969 (default) | positive scalar

Leakage inductance of the stator. This parameter must be greater than 0.

Stator d-axis mutual inductance, L_{md} — Stator d-axis mutual inductance

1.9583 (default) | positive scalar

d-axis mutual inductance of the stator. This parameter must be greater than 0.

Stator q-axis mutual inductance, L_{mq} — Stator q-axis mutual inductance

0.9045 (default) | positive scalar

q-axis mutual inductance of the stator. This parameter must be greater than 0.

Rotor field winding resistance, Rfd' — Rotor field winding resistance

0.0028 (default) | positive scalar

Resistance of the field winding of the rotor. This parameter must be greater than 0.

Rotor field winding inductance, Llfd' — Rotor field winding inductance

0.0813 (default) | positive scalar

Inductance of the field winding of the rotor. This parameter must be greater than 0.

Rotor d-axis damper winding resistance, Rkd' — Rotor *d*-axis damper winding resistance

0.0041 (default) | positive scalar

Resistance of the damper winding of the rotor in the *d*-axis. This parameter must be greater than 0.

Rotor d-axis damper winding inductance, Llkd' — Rotor *d*-axis damper winding inductance

0.0918 (default) | positive scalar

Inductance of the damper winding of the rotor in the *d*-axis. This parameter must be greater than 0.

Rotor q-axis damper winding resistance, Rkq' — Rotor *q*-axis damper winding resistance

0.0043 (default) | positive scalar

Resistance of the damper winding of the rotor in the *q*-axis. This parameter must be greater than 0.

Rotor q-axis damper winding inductance, Llqq' — Rotor *q*-axis damper winding inductance

0.1174 (default) | positive scalar

Inductance of the damper winding of the rotor in the *q*-axis. This parameter must be greater than 0.

Initial Conditions**Initialization option — Initialization option**

Set real power, reactive power, terminal voltage, and terminal phase (default) | Set targets for rotor angle and Park's transform variables

Model for specifying values for certain parameters and variables at the start of simulation:

- To set an operating point independent of the connected network, select **Set real power, reactive power, terminal voltage and terminal phase**.
- To specify the priority and initial target values for block variables before simulation using the **Variables** settings, select **Set targets for rotor angle and Park's transform variables**. For more information, see “Set Priority and Initial Target for Block Variables”.

Terminal voltage magnitude — Terminal voltage magnitude

240 V (default) | scalar

Terminal voltage magnitude.

Dependencies

To enable this parameter, set **Initialization option** to Set real power, reactive power, terminal voltage, and terminal phase.

Terminal voltage angle corresponding to ABC group – Terminal voltage angle corresponding to ABC group

0 deg (default) | scalar

Terminal voltage angle corresponding to the ABC stator.

Dependencies

To enable this parameter, set **Initialization option** to Set real power, reactive power, terminal voltage, and terminal phase.

Terminal active power (ABC group) – ABC terminal active power

50e3 V*A (default) | scalar

Terminal active power generated by the stator ABC windings.

Dependencies

To enable this parameter, set **Initialization option** to Set real power, reactive power, terminal voltage, and terminal phase.

Terminal reactive power (ABC group) – ABC terminal reactive power

0 V*A (default) | scalar

Terminal reactive power generated by the stator ABC windings.

Dependencies

To enable this parameter, set **Initialization option** to Set real power, reactive power, terminal voltage, and terminal phase.

Terminal active power (XYZ group) – XYZ terminal active power

20e3 V*A (default) | scalar

Terminal active power generated by the stator XYZ windings.

Dependencies

To enable this parameter, set **Initialization option** to Set real power, reactive power, terminal voltage, and terminal phase.

Terminal reactive power (XYZ group) – XYZ terminal reactive power

0 V*A (default) | scalar

Terminal reactive power generated by the stator XYZ windings.

Dependencies

To enable this parameter, set **Initialization option** to Set real power, reactive power, terminal voltage, and terminal phase.

References

- [1] Kieferndorf, F., Burzanowska, H., Kanerva S., Sario P. "Modeling of rotor based harmonics in dual-star, wound field, synchronous machines." *2008 18th International Conference on Electrical Machines*: Vilamoura, 1-6.
- [2] Burzanowska, H., Sario P, Stulz C., Joerg P. "Redundant Drive with Direct Torque Control (DTC) and dual-star synchronous machine, simulations and verifications." *2007 European Conference on Power Electronics and Applications*: Aalborg, 1-10.

Extended Capabilities

C/C++ Code Generation

Generate C and C++ code using Simulink® Coder™.

See Also

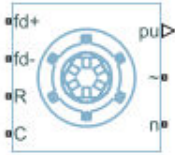
Synchronous Machine Model 1.0 | Synchronous Machine Field Circuit | Synchronous Machine Measurement | Synchronous Machine Model 2.1 | Synchronous Machine Round Rotor | Synchronous Machine Salient Pole

Introduced in R2020b

Synchronous Machine Round Rotor

Round-rotor synchronous machine with fundamental or standard parameterization

Library: Simscape / Electrical / Electromechanical / Synchronous



Description

The Synchronous Machine Round Rotor block models a round-rotor synchronous machine using fundamental or standard parameters.

Synchronous Machine Initialization Using Load-Flow Target Values

If the block is in a network that is compatible with the frequency-time simulation mode, you can perform a load-flow analysis on the network. A load-flow analysis provides steady-state values that you can use to initialize the machine.

For more information, see “Perform a Load-Flow Analysis Using Simscape Electrical” and “Frequency and Time Simulation Mode”. For an example that shows how initialize an synchronous machine using data from a load flow analysis, see “Synchronous Machine Initialization with Loadflow”.

Equations

The synchronous machine equations are expressed with respect to a rotating reference frame, defined by

$$\theta_e(t) = N\theta_r(t),$$

where:

- θ_e is the electrical angle.
- N is the number of pole pairs.
- θ_r is the rotor angle.

The Park transformation maps the synchronous machine equations to the rotating reference frame with respect to the electrical angle. The Park transformation is defined by

$$P_s = \frac{2}{3} \begin{bmatrix} \cos\theta_e & \cos(\theta_e - \frac{2\pi}{3}) & \cos(\theta_e + \frac{2\pi}{3}) \\ -\sin\theta_e & -\sin(\theta_e - \frac{2\pi}{3}) & -\sin(\theta_e + \frac{2\pi}{3}) \\ \frac{1}{2} & \frac{1}{2} & \frac{1}{2} \end{bmatrix}.$$

The Park transformation is used to define the per-unit synchronous machine equations. The stator voltage equations are defined by

$$e_d = \frac{1}{\omega_{base}} \frac{d\psi_d}{dt} - \Psi_q \omega_r - R_a i_d,$$

$$e_q = \frac{1}{\omega_{base}} \frac{d\psi_q}{dt} + \Psi_d \omega_r - R_a i_q,$$

and

$$e_0 = \frac{1}{\omega_{base}} \frac{d\Psi_0}{dt} - R_a i_0,$$

where:

- e_d , e_q , and e_0 are the d -axis, q -axis, and zero-sequence stator voltages, defined by

$$\begin{bmatrix} e_d \\ e_q \\ e_0 \end{bmatrix} = P_s \begin{bmatrix} v_a \\ v_b \\ v_c \end{bmatrix}.$$

v_a , v_b , and v_c are the stator voltages measured from port \sim to neutral port \mathbf{n} .

- ω_{base} is the per-unit base electrical speed.
- ψ_d , ψ_q , and ψ_0 are the d -axis, q -axis, and zero-sequence stator flux linkages.
- ω_r is the per-unit rotor rotational speed.
- R_a is the stator resistance.
- i_d , i_q , and i_0 are the d -axis, q -axis, and zero-sequence stator currents, defined by

$$\begin{bmatrix} i_d \\ i_q \\ i_0 \end{bmatrix} = P_s \begin{bmatrix} i_a \\ i_b \\ i_c \end{bmatrix}.$$

i_a , i_b , and i_c are the stator currents flowing from port \sim to port \mathbf{n} .

The rotor voltage equations are defined by

$$e_{fd} = \frac{1}{\omega_{base}} \frac{d\Psi_{fd}}{dt} + R_{fd} i_{fd},$$

$$e_{1d} = \frac{1}{\omega_{base}} \frac{d\Psi_{1d}}{dt} + R_{1d} i_{1d} = 0,$$

$$e_{1q} = \frac{1}{\omega_{base}} \frac{d\Psi_{1q}}{dt} + R_{1q} i_{1q} = 0,$$

and

$$e_{2q} = \frac{1}{\omega_{base}} \frac{d\Psi_{2q}}{dt} + R_{2q} i_{2q} = 0,$$

where:

- e_{fd} is the field voltage.
- e_{1d} , e_{1q} , and e_{2q} are the voltages across the d -axis damper winding 1, q -axis damper winding 1, and q -axis damper winding 2. They are all equal to 0.
- ψ_{fd} , ψ_{1d} , ψ_{1q} , and ψ_{2q} are the magnetic fluxes linking the field circuit, d -axis damper winding 1, q -axis damper winding 1, and q -axis damper winding 2.
- R_{fd} , R_{1d} , R_{1q} , and R_{2q} are the resistances of rotor field circuit, d -axis damper winding 1, q -axis damper winding 1, and q -axis damper winding 2.
- i_{fd} , i_{1d} , i_{1q} , and i_{2q} are the currents flowing in the field circuit, d -axis damper winding 1, q -axis damper winding 1, and q -axis damper winding 2.

The saturation equations are defined by

$$\psi_{ad} = \psi_d + L_l i_d,$$

$$\psi_{aq} = \psi_q + L_l i_q,$$

$$\psi_{at} = \sqrt{\psi_{ad}^2 + \psi_{aq}^2},$$

$K_s = 1$ (If saturation is disabled),

$K_s = f(\psi_{at})$ (If saturation is enabled),

$$L_{ad} = K_s * L_{adu},$$

and

$$L_{aq} = K_s * L_{aqu},$$

where:

- ψ_{ad} is the d -axis air-gap or mutual flux linkage.
- ψ_{aq} is the q -axis air-gap or mutual flux linkage.
- ψ_{at} is the air-gap flux linkage.
- K_s is the saturation factor.
- L_{adu} is the unsaturated mutual inductance of the stator d -axis.
- L_{ad} is the mutual inductance of the stator d -axis.
- L_{aqu} is the unsaturated mutual inductance of the stator q -axis.
- L_{aq} is the mutual inductance of the stator q -axis.

The saturation factor function, f , is calculated from the per-unit open-circuit lookup table as:

$$L_{ad} = \frac{d\psi_{at}}{di_{fd}},$$

$$V_{ag} = g(i_{fd}),$$

and

$$L_{ad} = \frac{dg(i_{fd})}{di_{fd}} = \frac{dV_{ag}}{di_{fd}},$$

where V_{ag} is the per-unit air-gap voltage.

In per-unit,

$$K_s = \frac{L_{ad}}{L_{adu}},$$

and

$$\psi_{at} = V_{ag}$$

can be rearranged to

$$K_s = f(\psi_{at}).$$

The stator flux linkage equations are defined by

$$\Psi_d = -(L_{ad} + L_l)i_d + L_{ad}i_{fd} + L_{ad}i_{1d},$$

$$\Psi_q = -(L_{aq} + L_l)i_q + L_{aq}i_{1q} + L_{aq}i_{2q},$$

and

$$\Psi_0 = -L_0i_0,$$

where:

- L_l is the stator leakage inductance.
- L_{ad} and L_{aq} are the mutual inductances of the stator d -axis and q -axis.

The rotor flux linkage equations are defined by

$$\psi_{fd} = L_{ffd}i_{fd} + L_{f1d}i_{1d} - L_{ad}i_d,$$

$$\psi_{1d} = L_{f1d}i_{fd} + L_{11d}i_{1d} - L_{ad}i_d,$$

$$\psi_{1q} = L_{11q}i_{1q} + L_{aq}i_{2q} - L_{aq}i_q,$$

and

$$\psi_{2q} = L_{aq}i_{1q} + L_{22q}i_{2q} - L_{aq}i_q,$$

where:

- L_{ffd} is the self-inductances of the rotor field circuit.
- L_{ffq} is the self-inductance of the rotor field circuit.
- L_{11d} is the self-inductance of the d -axis damper winding 1.
- L_{11q} is the self-inductance of the q -axis damper winding 1.
- L_{22q} is the self-inductance of the q -axis damper winding 2.
- L_{f1d} is the rotor field circuit and d -axis damper winding 1 mutual inductance.

The inductances are defined by these equations:

$$L_{ffd} = L_{ad} + L_{fd}$$

$$L_{f1d} = L_{ffd} - L_{fd}$$

$$L_{11d} = L_{f1d} + L_{1d}$$

$$L_{11q} = L_{aq} + L_{1q}$$

$$L_{22q} = L_{aq} + L_{2q}$$

The inductance equations assume that per-unit mutual inductance $L_{12q} = L_{aq}$, that is, the stator and rotor currents in the q -axis all link a single mutual flux represented by L_{aq} .

The rotor torque is defined by

$$T_e = \Psi_d i_q - \Psi_q i_d.$$

Plotting and Display Options

You can perform plotting and display actions using the **Electrical** menu on the block context menu.

Right-click the block and, from the **Electrical** menu, select an option:

- **Display Base Values** — Displays the machine per-unit base values in the MATLAB Command Window.
- **Display Associated Base Values** — Displays associated per-unit base values in the MATLAB Command Window.
- **Display Associated Initial Conditions** — Displays associated initial conditions in the MATLAB Command Window.
- **Plot Open-Circuit Saturation (pu)** — Plots air-gap voltage, V_{ag} , versus field current, i_{fd} , both measured in per-unit, in a MATLAB figure window. The plot contains three traces:
 - Unsaturated — **Stator d-axis mutual inductance (unsaturated), L_{ad}** you specify
 - Saturated — **Per-unit open-circuit lookup table (Vag versus ifd)** you specify
 - Derived — Open-circuit lookup table (per-unit) derived from the **Per-unit open-circuit lookup table (Vag versus ifd)** you specify. This data is used to calculate the saturation factor, K_s , versus magnetic flux linkage, ψ_{at} , characteristic.
- **Plot Saturation Factor (pu)** — Plots saturation factor, K_s , versus magnetic flux linkage, ψ_{at} , both measured in per-unit, in a MATLAB figure window using the machine parameters. This parameter is derived from other parameters that you specify:
 - **Stator d-axis mutual inductance (unsaturated), L_{ad}**
 - **Per-unit field current saturation data, ifd**
 - **Per-unit air-gap voltage saturation data, Vag**

Variables

The **Variables** settings allow you to specify the priority and initial target values for block variables before simulation. For more information, see “Set Priority and Initial Target for Block Variables”.

For this block, the **Variables** settings are visible only if, in the **Initial Conditions** settings, the **Initialization option** parameter is set to Set targets for rotor angle and Park's transform variables.

Ports

Output

pu — Machine per-unit measurements

physical

Physical signal vector port associated with the machine per-unit measurements. The vector elements are:

- Field voltage (field circuit base, E_{fd}), $pu_fd_E_{fd}$
- Field current (field circuit base, I_{fd}), $pu_fd_I_{fd}$
- Electrical torque, pu_torque
- Rotor velocity, $pu_velocity$
- Stator d-axis voltage, pu_ed
- Stator q-axis voltage, pu_eq
- Stator zero-sequence voltage, pu_e0
- Stator d-axis current, pu_id
- Stator q-axis current, pu_iq
- Stator zero-sequence current, pu_i0
- Rotor electrical angle, $electrical_angle_out$

To connect to this port, use the Synchronous Machine Measurement block.

Conserving

fd+ — Field winding positive terminal

electrical

Electrical conserving port associated with the field winding positive terminal.

fd- — Field winding negative terminal

electrical

Electrical conserving port associated with the field winding negative terminal.

R — Machine rotor

mechanical

Mechanical rotational conserving port associated with the machine rotor.

C — Machine case

mechanical

Mechanical rotational conserving port associated with the machine case.

~ — Stator windings

electrical

Expandable three-phase port associated with the stator windings.

n — Neutral phase

electrical

Electrical conserving port associated with the neutral point of the wye winding configuration.

Parameters**Main****Rated apparent power — Rated apparent power**

555e6 V*A (default)

Rated apparent power.

Rated voltage — RMS rated line-line voltage

24e3 V (default)

RMS rated line-line voltage.

Rated electrical frequency — Nominal electrical frequency

60 Hz (default)

Nominal electrical frequency at which rated apparent power is quoted.

Number of pole pairs — Number of pole pairs

1 (default)

Number of machine pole pairs.

Specify parameterization by — Block parameterization

Fundamental parameters (default) | Standard parameters

Block parameterization method. Options are:

- `Fundamental parameters` — Specify impedance using fundamental parameters.
- `Standard parameters` — Specify impedance using fundamental parameters and specify d-axis and q-axis time constants.

This parameter affects the visibility of the **Time Constant** settings and the parameters in the **Impedances** settings.

Specify field circuit input required to produce rated terminal voltage at no load by — Specify field circuit input required to produce rated terminal voltage at no load by

Field circuit current (default) | Field circuit voltage

Field circuit parameterization method. Options are:

- `Field circuit voltage` — Specify the field circuit in terms of voltage.

- **Field circuit current** — Specify the field circuit in terms of current.

This parameter affects the visibility of the **Field circuit voltage** and **Field circuit current** parameters.

Field circuit voltage — Field circuit voltage

95.95 V (default)

Voltage across field circuit which produces rated voltage at machine terminals.

Dependencies

This parameter is visible only if the **Specify field circuit input required to produce rated terminal voltage at no load by** parameter is set to **Field circuit voltage**.

Field circuit current — Field circuit current

1300 A (default)

Current in field circuit which produces rated voltage at machine terminals.

Dependencies

This parameter is visible only if the **Specify field circuit input required to produce rated terminal voltage at no load by** parameter is set to **Field circuit current**.

Zero sequence — Zero-sequence model

Include (default) | Exclude

Zero-sequence model:

- **Include** — Prioritize model fidelity. This model is the default zero-sequence model. An error occurs if you **Include** zero-sequence terms for simulations that use the Partitioning solver. For more information, see “Increase Simulation Speed Using the Partitioning Solver”.
- **Exclude** — Prioritize simulation speed for desktop simulation or real-time deployment.

Dependencies

If this parameter is set to:

- **Include** and **Specify parameterization by** is set to **Fundamental parameters** — The **Stator zero-sequence inductance, L0** parameter in the **Impedances** settings is visible.
- **Include** and **Specify parameterization by** is set to **Standard parameters** — The **zero-sequence reactance, X0** parameter in the **Impedances** settings is visible.
- **Exclude** — The zero-sequence parameter in the **Impedances** settings is not visible.

Rotor angle definition — Reference point for the rotor angle measurement

Angle between the a-phase magnetic axis and the d-axis (default) | Angle between the a-phase magnetic axis and the q-axis

Reference point for the rotor angle measurement.

When you select the default value, the rotor *d*-axis and stator *a*-phase magnetic axis are aligned when the rotor angle is zero.

The other value you can choose for this parameter is **Angle between the a-phase magnetic axis and the q-axis**. When you select this value, the rotor q -axis and stator a -phase magnetic axis are aligned when the rotor angle is zero.

Impedances

Stator d-axis mutual inductance (unsaturated), L_{ad} — Stator d-axis mutual inductance (unsaturated)

1.66 (default) | positive scalar

Unsaturated stator d -axis mutual inductance. If **Magnetic saturation representation** is set to **None**, this is equivalent to the stator d -axis mutual inductance. This parameter must be greater than 0.

Dependencies

This parameter is visible only if the **Specify parameterization by** parameter is set to **Fundamental parameters**.

Stator q-axis mutual inductance (unsaturated), L_{aq} — Stator q-axis mutual inductance (unsaturated)

1.61 (default) | positive scalar

Unsaturated stator q -axis mutual inductance. If **Magnetic saturation representation** is set to **None**, this is equivalent to the stator q -axis mutual inductance. This parameter must be greater than 0.

Dependencies

This parameter is visible only if the **Specify parameterization by** parameter is set to **Fundamental parameters**.

Stator zero-sequence inductance, L_0 — Stator zero-sequence inductance

0.15 (default) | positive scalar

Stator zero-sequence inductance. This parameter must be greater than 0.

Dependencies

This parameter is visible only if the **Specify parameterization by** parameter is set to **Fundamental parameters** and the **Zero Sequence** parameter to **Include**.

Stator leakage inductance, L_l — Stator leakage inductance

0.15 (default) | positive scalar

Stator leakage inductance. This parameter must be greater than 0.

Dependencies

This parameter is visible only if the **Specify parameterization by** parameter is set to **Fundamental parameters**.

Stator resistance, R_a — Stator resistance

0.003 (default) | positive scalar

Stator resistance. This parameter must be greater than 0.

Rotor field circuit inductance, Lfd — Rotor field circuit inductance

0.165 (default) | positive scalar

Rotor field circuit inductance. This parameter must be greater than 0.

Rotor field circuit resistance, Rfd — Rotor field circuit resistance

0.0006 (default) | positive scalar

Rotor field circuit resistance. This parameter must be greater than 0.

Dependencies

This parameter is visible only if the **Specify parameterization by** parameter is set to Fundamental parameters.

Rotor d-axis damper winding 1 inductance, L1d — Rotor d-axis damper winding 1 inductance

0.1713 (default) | positive scalar

Rotor *d*-axis damper winding 1 inductance. This parameter must be greater than 0.

Dependencies

This parameter is visible only if the **Specify parameterization by** parameter is set to Fundamental parameters.

Rotor d-axis damper winding 1 resistance, R1d — Rotor d-axis damper winding 1 resistance

0.0284 (default) | positive scalar

Rotor *d*-axis damper winding 1 resistance. This parameter must be greater than 0.

Dependencies

This parameter is visible only if the **Specify parameterization by** parameter is set to Fundamental parameters.

Rotor q-axis damper winding 1 inductance, L1q — Rotor q-axis damper winding 1 inductance

0.7252 (default) | positive scalar

Rotor *q*-axis damper winding 1 inductance. This parameter must be greater than 0.

Dependencies

This parameter is visible only if the **Specify parameterization by** parameter is set to Fundamental parameters.

Rotor q-axis damper winding 1 resistance, R1q — Rotor q-axis damper winding 1 resistance

0.00619 (default) | positive scalar

Rotor *q*-axis damper winding 1 resistance. This parameter must be greater than 0.

Dependencies

This parameter is visible only if the **Specify parameterization by** parameter is set to Fundamental parameters.

Rotor q-axis damper winding 2 inductance, L2q — Rotor q-axis damper winding 2 inductance

0.125 (default) | positive scalar

Rotor q -axis damper winding 2 inductance. This parameter must be greater than 0.**Dependencies**This parameter is visible only if the **Specify parameterization by** parameter is set to Fundamental parameters.**Rotor q-axis damper winding 2 resistance, R2q — Rotor q-axis damper winding 2 resistance**

0.02368 (default) | positive scalar

Rotor q -axis damper winding 2 resistance. This parameter must be greater than 0.**Dependencies**This parameter is visible only if the **Specify parameterization by** parameter is set to Fundamental parameters.**Stator leakage reactance, Xl — Stator leakage reactance**

0.15 (default) | positive scalar

Stator leakage reactance. This parameter must be greater than 0.

DependenciesThis parameter is visible only if the **Specify parameterization by** parameter is set to Standard parameters.**d-axis synchronous reactance, Xd — d-axis synchronous reactance**

1.81 (default) | positive scalar

 d -axis synchronous reactance. This parameter must be greater than 0.**Dependencies**This parameter is visible only if the **Specify parameterization by** parameter is set to Standard parameters.**q-axis synchronous reactance, Xq — q-axis synchronous reactance**

1.76 (default) | positive scalar

 q -axis synchronous reactance. This parameter must be greater than 0.**Dependencies**This parameter is visible only if the **Specify parameterization by** parameter is set to Standard parameters.**zero-sequence reactance, X0 — Zero-sequence reactance**

0.15 (default) | positive scalar

Zero-sequence reactance. This parameter must be greater than 0.

Dependencies

This parameter is visible only if the **Specify parameterization by** parameter is set to Standard parameters and the **Zero Sequence** parameter to Include.

d-axis transient reactance, X_d' — d-axis transient reactance

0.3 (default) | positive scalar

d-axis transient reactance. This parameter must be greater than 0.

Dependencies

This parameter is visible only if the **Specify parameterization by** parameter is set to Standard parameters.

q-axis transient reactance, X_q' — q-axis transient reactance

0 (default) | positive scalar

q-axis transient reactance. This parameter must be greater than 0.

Dependencies

This parameter is visible only if the **Specify parameterization by** parameter is set to Standard parameters.

d-axis subtransient reactance, X_d'' — d-axis subtransient reactance

0.23 (default) | positive scalar

d-axis subtransient reactance. This parameter must be greater than 0.

Dependencies

This parameter is visible only if the **Specify parameterization by** parameter is set to Standard parameters.

q-axis subtransient reactance, X_q'' — q-axis subtransient reactance

0.25 (default) | positive scalar

q-axis subtransient reactance. This parameter must be greater than 0.

Dependencies

This parameter is visible only if the **Specify parameterization by** parameter is set to Standard parameters.

Time Constants**Specify d-axis time constant — Specify d-axis time constant**

Open circuit (default) | Short circuit

Select between Open circuit and Short circuit.

The setting for this parameter affects the visibility of the *d*-axis time constant parameters.

d-axis transient open-circuit, $Td\theta'$ — d-axis transient open-circuit

8 s (default) | positive scalar

d-axis transient open-circuit time constant. This parameter must be:

- Greater than 0.
- Greater than **d-axis subtransient open-circuit, Td0''**.

Dependencies

This parameter is visible only if the **Specify d-axis transient time constant** parameter is set to **Open circuit**.

d-axis transient short-circuit, Td' — **d-axis transient short-circuit**

1.3260 s (default) | positive scalar

d-axis transient short-circuit time constant. This parameter must be:

- Greater than 0.
- Greater than **d-axis subtransient short-circuit, Td''**.

Dependencies

This parameter is visible only if the **Specify d-axis transient time constant** parameter is set to **Short circuit**.

d-axis subtransient open-circuit, Td0'' — **d-axis subtransient open-circuit**

0.03 s (default) | positive scalar

d-axis subtransient open-circuit time constant. This parameter must be greater than 0.

Dependencies

This parameter is visible only if the **Specify d-axis transient time constant** parameter is set to **Open circuit**.

d-axis subtransient short-circuit, Td'' — **d-axis subtransient short-circuit**

0.0230 s (default) | positive scalar

d-axis subtransient short-circuit time constant. This parameter must be greater than 0.

Dependencies

This parameter is visible only if the **Specify d-axis transient time constant** parameter is set to **Short circuit**.

Specify q-axis time constant — **Specify q-axis time constant**

Open circuit (default) | **Short circuit**

Select between **Open circuit** and **Short circuit**.

The setting for this parameter affects the visibility of the *q*-axis time constant parameters.

q-axis transient open-circuit, Tq0' — **q-axis transient open-circuit**

1 s (default) | positive scalar

q-axis transient open-circuit time constant. This parameter must be:

- Greater than 0.
- Greater than **q-axis subtransient open-circuit, Tq0''**.

Dependencies

This parameter is visible only if the **Specify q-axis transient time constant** parameter is set to **Open circuit**.

q-axis transient short-circuit, T_q' — q-axis transient short-circuit

0.3693 s (default) | positive scalar

q -axis transient short-circuit time constant. This parameter must be:

- Greater than 0.
- Greater than **q-axis subtransient short-circuit, T_q''** .

Dependencies

This parameter is visible only if the **Specify q-axis transient time constant** parameter is set to **Short circuit**.

q-axis subtransient open-circuit, T_{q0}'' — q-axis subtransient open-circuit

0.07 s (default) | positive scalar

q -axis subtransient open-circuit time constant. This parameter must be greater than 0.

Dependencies

This parameter is visible only if the **Specify q-axis transient time constant** parameter is set to **Open circuit**.

q-axis subtransient short-circuit, T_q'' — q-axis subtransient short-circuit

0.0269 s (default) | positive scalar

q -axis subtransient short-circuit time constant. This parameter must be greater than 0.

Dependencies

This parameter is visible only if the **Specify q-axis transient time constant** parameter is set to **Short circuit**.

Saturation**Magnetic saturation representation — Magnetic saturation representation**

None (default) | Open-circuit lookup table (v versus i)

Block magnetic saturation model:

- None
- Open-circuit lookup table (v versus i)

Dependencies

If you set this parameter to **Open-circuit lookup table (v versus i)**, related parameters are visible.

Per-unit field current saturation data, ifd — Per-unit field current saturation data

[0, .48, .76, 1.38, 1.79] (default)

Field current, i_{fd} , data that populates the air-gap voltage, V_{ag} , versus field current, i_{fd} , lookup table. This parameter must contain a vector with at least five elements.

Dependencies

This parameter is visible only if the **Magnetic saturation representation** parameter is set to Open-circuit lookup table (v versus i).

Per-unit air-gap voltage saturation data, V_{ag} — Per-unit air-gap voltage saturation data

[0, .8, 1.08, 1.31, 1.4] (default)

Air-gap voltage, V_{ag} , data that populates the air-gap voltage, V_{ag} , versus field current, i_{fd} , lookup table. This parameter must contain a vector with at least five elements.

Dependencies

This parameter is visible only if the **Magnetic saturation representation** parameter is set to Open-circuit lookup table (v versus i).

Initial Conditions

Initialization option — Initialization option

Set real power, reactive power, terminal voltage, and terminal phase (default) | Set targets for rotor angle and Park's transform variables | Set targets for load flow variables

Model for specifying values for certain parameters and variables at the start of simulation. To:

Set an operating point regardless of the connected network, select Set real power, reactive power, terminal voltage and terminal phase.

- Specify the priority and initial target values for block variables before simulation using the **Variables** settings, select Set targets for rotor angle and Park's transform variables. For more information, see “Set Priority and Initial Target for Block Variables”.
- Select a bus type and specify the related parameters for a load-flow analysis in the **Initial Conditions** settings, select Set targets for load flow variables.

Dependencies

If you set this parameter to:

- Set targets for rotor angle and Park's transform variables — The **Variables** settings become visible.
- Set real power, reactive power, terminal voltage, and terminal phase — Related parameters become visible.
- Set targets for load flow variables — Related parameters become visible.

Source type — Voltage source model

Swing bus (default) | Voltage source with series impedance | PV bus | PQ bus

Type of voltage source that the block models.

Dependencies

This parameter is visible only if the **Initialization option** parameter is set to Set targets for load flow variables and the **Source type** parameter is set to Swing bus or PV bus.

The visibility of **Terminal voltage magnitude**, **Terminal voltage angle**, **Active power generated**, **Reactive power generated**, **Minimum terminal voltage magnitude (pu)**, **Phase search range at terminals**, and **Phase search range at terminals** depend on the value that you choose for this parameter.

Terminal voltage magnitude — Terminal voltage magnitude

24e3 V (default)

Terminal voltage magnitude.

Dependencies

This parameter is visible only if the **Initialization option** parameter is set to Set real power, reactive power, terminal voltage, and terminal phase or if the **Initialization option** parameter is set to Set targets for load flow variables and the **Source type** parameter is set to Swing bus or PV bus.

Terminal voltage angle — Terminal voltage angle

0 deg (default)

Terminal voltage angle.

Dependencies

This parameter is visible only if the **Initialization option** parameter is set to Set real power, reactive power, terminal voltage, and terminal phase or if the **Initialization option** parameter is set to Set targets for load flow variables and the **Source type** parameter is set to Swing bus.

Active power generated — Active power generated

500e6 V*A (default)

Active power generated.

Dependencies

This parameter is visible only if the **Initialization option** parameter is set to Set real power, reactive power, terminal voltage, and terminal phase or if the **Initialization option** parameter is set to Set targets for load flow variables and the **Source type** parameter is set to PV bus or PQ bus.

Reactive power generated — Reactive power generated

0 V*A (default)

Reactive power generated.

Dependencies

This parameter is visible only if the **Initialization option** parameter is set to Set real power, reactive power, terminal voltage, and terminal phase or if the **Initialization option** parameter is set to Set targets for load flow variables and the **Source type** parameter is set to PQ bus.

Minimum terminal voltage magnitude (pu) – Minimum terminal voltage magnitude
0.95 (default)

Per-unit minimum steady-state voltage magnitude.

Dependencies

This parameter is visible only if the **Initialization option** parameter is set to `Set targets for load flow variables` and the **Source type** parameter is set to `PQ bus`.

Phase search range at terminals – Phase search range at terminals
[-inf, inf] deg (default)

Vector that defines the phase angle search range.

Dependencies

This parameter is visible only if the **Initialization option** parameter is set to `Set targets for load flow variables` and the **Source type** parameter is set to `PV bus` or `PQ bus`.

Parasitic conductance to electrical reference – Parasitic conductance to electrical reference
1e-6 S (default)

Parasitic conductance to the electrical reference.

Dependencies

This parameter is visible only if the **Initialization option** parameter is set to `Set targets for load flow variables`.

References

- [1] Kundur, P. *Power System Stability and Control*. New York, NY: McGraw Hill, 1993.
- [2] Lyshevski, S. E. *Electromechanical Systems, Electric Machines and Applied Mechatronics*. Boca Raton, FL: CRC Press, 1999.

Extended Capabilities

C/C++ Code Generation

Generate C and C++ code using Simulink® Coder™.

See Also

Synchronous Machine Model 1.0 | Synchronous Machine Field Circuit | Synchronous Machine Measurement | Synchronous Machine Model 2.1 | Synchronous Machine Salient Pole

Topics

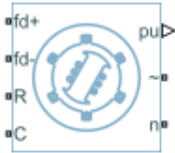
“Perform a Load-Flow Analysis Using Simscape Electrical”
“Expand and Collapse Three-Phase Ports on a Block”

Introduced in R2013b

Synchronous Machine Salient Pole

Salient-pole synchronous machine with fundamental or standard parameterization

Library: Simscape / Electrical / Electromechanical / Synchronous



Description

The Synchronous Machine Salient Pole block models a salient-pole synchronous machine using fundamental or standard parameters.

Synchronous Machine Initialization Using Load-Flow Target Values

If the block is in a network that is compatible with the frequency-time simulation mode, you can perform a load-flow analysis on the network. A load-flow analysis provides steady-state values that you can use to initialize the machine.

For more information, see “Perform a Load-Flow Analysis Using Simscape Electrical” and “Frequency and Time Simulation Mode”. For an example that shows how initialize an synchronous machine using data from a load flow analysis, see “Synchronous Machine Initialization with Loadflow”.

Equations

The synchronous machine equations are expressed with respect to a rotating reference frame, defined by

$$\theta_e(t) = N\theta_r(t),$$

where:

- θ_e is the electrical angle.
- N is the number of pole pairs.
- θ_r is the rotor angle.

The Park transformation maps the synchronous machine equations to the rotating reference frame with respect to the electrical angle. The Park transformation is defined by

$$P_s = \frac{2}{3} \begin{bmatrix} \cos\theta_e & \cos(\theta_e - \frac{2\pi}{3}) & \cos(\theta_e + \frac{2\pi}{3}) \\ -\sin\theta_e & -\sin(\theta_e - \frac{2\pi}{3}) & -\sin(\theta_e + \frac{2\pi}{3}) \\ \frac{1}{2} & \frac{1}{2} & \frac{1}{2} \end{bmatrix}.$$

The Park transformation is used to define the per-unit synchronous machine equations. The stator voltage equations are defined by

$$e_d = \frac{1}{\omega_{base}} \frac{d\psi_d}{dt} - \Psi_q \omega_r - R_a i_d,$$

$$e_q = \frac{1}{\omega_{base}} \frac{d\psi_q}{dt} + \Psi_d \omega_r - R_a i_q,$$

and

$$e_0 = \frac{1}{\omega_{base}} \frac{d\Psi_0}{dt} - R_a i_0,$$

where:

- e_d , e_q , and e_0 are the d -axis, q -axis, and zero-sequence stator voltages, defined by

$$\begin{bmatrix} e_d \\ e_q \\ e_0 \end{bmatrix} = P_S \begin{bmatrix} v_a \\ v_b \\ v_c \end{bmatrix}.$$

v_a , v_b , and v_c are the stator voltages measured from port \sim to neutral port \mathbf{n} .

- ω_{base} is the per-unit base electrical speed.
- ψ_d , ψ_q , and ψ_0 are the d -axis, q -axis, and zero-sequence stator flux linkages.
- ω_r is the per-unit rotor rotational speed.
- R_a is the stator resistance.
- i_d , i_q , and i_0 are the d -axis, q -axis, and zero-sequence stator currents, defined by

$$\begin{bmatrix} i_d \\ i_q \\ i_0 \end{bmatrix} = P_S \begin{bmatrix} i_a \\ i_b \\ i_c \end{bmatrix}.$$

i_a , i_b , and i_c are the stator currents flowing from port \sim to port \mathbf{n} .

The rotor voltage equations are defined by

$$e_{fd} = \frac{1}{\omega_{base}} \frac{d\Psi_{fd}}{dt} + R_{fd} i_{fd},$$

$$e_{1d} = \frac{1}{\omega_{base}} \frac{d\Psi_{1d}}{dt} + R_{1d} i_{1d} = 0,$$

and

$$e_{1q} = \frac{1}{\omega_{base}} \frac{d\Psi_{1q}}{dt} + R_{1q} i_{1q} = 0,$$

where:

- e_{fd} is the field voltage.
- e_{1d} , and e_{1q} are the voltages across the d -axis damper winding 1 and q -axis damper winding 1. They are equal to 0.

- ψ_{fd} , ψ_{1d} , and ψ_{1q} are the magnetic fluxes linking the field circuit, d -axis damper winding 1, and q -axis damper winding 1.
- R_{fd} , R_{1d} , and R_{1q} are the resistances of rotor field circuit, d -axis damper winding 1, and q -axis damper winding 1.
- i_{fd} , i_{1d} , and i_{1q} are the currents flowing in the field circuit, d -axis damper winding 1, and q -axis damper winding 1.

The saturation equations are defined by

$$\psi_{ad} = \psi_d + L_1 i_d,$$

$$\psi_{aq} = \psi_q + L_1 i_q,$$

$$\psi_{at} = \sqrt{\psi_{ad}^2 + \psi_{aq}^2},$$

$K_s = 1$ (if saturation is disabled),

$K_s = f(\psi_{at})$ (if saturation is enabled),

and

$$L_{ad} = K_s * L_{adu},$$

where:

- ψ_{ad} is the d -axis air-gap or mutual flux linkage.
- ψ_{aq} is the q -axis air-gap or mutual flux linkage.
- ψ_{at} is the air-gap flux linkage.
- K_s is the saturation factor.
- L_{adu} is the unsaturated mutual inductance of the stator d -axis.
- L_{ad} is the mutual inductance of the stator d -axis.

The saturation factor function, f , is calculated from the per-unit open-circuit lookup table as:

$$L_{ad} = \frac{d\psi_{at}}{di_{fd}},$$

$$V_{ag} = g(i_{fd}),$$

and

$$L_{ad} = \frac{dg(i_{fd})}{di_{fd}} = \frac{dV_{ag}}{di_{fd}},$$

where:

- V_{ag} is the per-unit air-gap voltage.

In per-unit,

$$K_s = \frac{L_{ad}}{L_{adu}},$$

and

$$\psi_{at} = V_{ag}$$

can be rearranged to

$$K_s = f(\psi_{at}).$$

The stator flux linkage equations are defined by

$$\Psi_d = -(L_{ad} + L_l)i_d + L_{ad}i_{fd} + L_{ad}i_{1d},$$

$$\Psi_q = -(L_{aq} + L_l)i_q + L_{aq}i_{1q},$$

and

$$\Psi_0 = -L_0i_0,$$

where:

- L_l is the stator leakage inductance.
- L_{ad} and L_{aq} are the mutual inductances of the stator d -axis and q -axis.

The rotor flux linkage equations are defined by

$$\psi_{fd} = L_{ffd}i_{fd} + L_{f1d}i_{1d} - L_{ad}i_d,$$

$$\psi_{1d} = L_{f1d}i_{fd} + L_{11d}i_{1d} - L_{ad}i_d,$$

and

$$\psi_{1q} = L_{11q}i_{1q} - L_{aq}i_q,$$

where:

- L_{ffd} is the self-inductance of the rotor field circuit.
- L_{11d} is the self-inductance of the d -axis damper winding 1.
- L_{11q} is the self-inductance of the q -axis damper winding 1.
- L_{f1d} is the rotor field circuit and d -axis damper winding 1 mutual inductance.

The inductances are defined by these equations:

$$L_{ffd} = L_{ad} + L_{fd}$$

$$L_{f1d} = L_{ffd} - L_{fd}$$

$$L_{11d} = L_{f1d} + L_{1d}$$

$$L_{11q} = L_{aq} + L_{1q}$$

The inductance equations assume that per-unit mutual inductance $L_{12q} = L_{aq}$, that is, the stator and rotor currents in the q -axis all link a single mutual flux represented by L_{aq} .

The rotor torque is defined by

$$T_e = \Psi_d i_q - \Psi_q i_d.$$

Plotting and Display Options

You can perform plotting and display actions using the **Electrical** menu on the block context menu.

Right-click the block and, from the **Electrical** menu, select one of these options:

- **Display Base Values** — Displays the machine per-unit base values in the MATLAB Command Window.
- **Display Associated Base Values** — Displays associated per-unit base values in the MATLAB Command Window.
- **Display Associated Initial Conditions** — Displays associated initial conditions in the MATLAB Command Window.
- **Plot Open-Circuit Saturation (pu)** — Plots air-gap voltage, V_{ag} , versus field current, i_{fd} , both measured in per-unit, in a MATLAB figure window. The plot contains three traces:
 - Unsaturated — **Stator d-axis mutual inductance (unsaturated), L_{adu}** you specify
 - Saturated — **Per-unit open-circuit lookup table (Vag versus ifd)** you specify
 - Derived — Open-circuit lookup table (per-unit) derived from the **Per-unit open-circuit lookup table (Vag versus ifd)** you specify. This data is used to calculate the saturation factor, K_s , versus magnetic flux linkage, ψ_{at} , characteristic.
- **Plot Saturation Factor (pu)** — Plots saturation factor, K_s , versus magnetic flux linkage, ψ_{at} , both measured in per-unit, in a MATLAB figure window using the present machine parameters. This parameter is derived from other parameters that you specify:
 - **Stator d-axis mutual inductance (unsaturated), L_{adu}**
 - **Per-unit field current saturation data, ifd**
 - **Per-unit air-gap voltage saturation data, Vag**

Variables

The **Variables** settings allow you to specify the priority and initial target values for block variables before simulation. For more information, see “Set Priority and Initial Target for Block Variables”.

For this block, the **Variables** settings are visible only if, in the **Initial Conditions** settings, the **Initialization option** parameter is set to Set targets for rotor angle and Park's transform variables.

Ports

Output

pu — Machine per-unit measurements

physical

Physical signal vector port associated with the machine per-unit measurements. The vector elements are:

- Field voltage (field circuit base, E_{fd}), $pu_fd_E_{fd}$

- Field current (field circuit base, I_{fd}), $pu_fd_I_{fd}$
- Electrical torque, pu_torque
- Rotor velocity, $pu_velocity$
- Stator d-axis voltage, pu_ed
- Stator q-axis voltage, pu_eq
- Stator zero-sequence voltage, pu_e0
- Stator d-axis current, pu_id
- Stator q-axis current, pu_iq
- Stator zero-sequence current, pu_i0
- Rotor electrical angle, $electrical_angle_out$

To connect to this port, use the Synchronous Machine Measurement block.

Conserving

fd+ — Field winding positive terminal

electrical

Electrical conserving port associated with the field winding positive terminal.

fd- — Field winding negative terminal

electrical

Electrical conserving port associated with the field winding negative terminal.

R — Machine rotor

mechanical

Mechanical rotational conserving port associated with the machine rotor.

C — Machine case

mechanical

Mechanical rotational conserving port associated with the machine case.

~ — Stator windings

electrical

Expandable three-phase port associated with the stator windings.

n — Neutral phase

electrical

Electrical conserving port associated with the neutral point of the wye winding configuration.

Parameters

Main

Rated apparent power — Rated apparent power

300e6 V*A (default)

Rated apparent power.

Rated voltage — RMS rated line-line voltage

24e3 V (default)

RMS rated line-line voltage.

Rated electrical frequency — Nominal electrical frequency

60 Hz (default)

Nominal electrical frequency at which rated apparent power is quoted.

Number of pole pairs — Number of pole pairs

10 (default)

Number of machine pole pairs.

Specify parameterization by — Block parameterization

Fundamental parameters (default) | Standard parameters

Block parameterization method. Options are:

- **Fundamental parameters** — Specify impedance using fundamental parameters.
- **Standard parameters** — Specify impedance using fundamental parameters and specify d-axis and q-axis time constants.

Dependencies

If this parameter is set to **Fundamental parameters**:

- Fundamental parameters in the **Impedances** settings are visible.
- **Time Constant** settings are visible.

If this parameter is set to **Standard parameters**:

- Standard parameters in the **Impedances** settings are visible.
- **Time Constant** settings are not visible.

Specify field circuit input required to produce rated terminal voltage at no load by — Specify field circuit input required to produce rated terminal voltage at no load by

Field circuit current (default) | Field circuit voltage

Field circuit parameterization method. Options are:

- **Field circuit voltage** — Specify the field circuit in terms of voltage.
- **Field circuit current** — Specify the field circuit in terms of current.

This parameter affects the visibility of the **Field circuit voltage** and **Field circuit current** parameters.

Dependencies

If this parameter is set to **Field circuit voltage**.

- The **Field circuit voltage** parameter is visible.
- The **Field circuit current** parameter is not visible.

If this parameter is set to **Field circuit current**:

- The **Field circuit current** parameter is visible.
- The **Field circuit voltage** parameter is not visible.

Field circuit voltage — Field circuit voltage

216.54 V (default)

Voltage across field circuit which produces rated voltage at machine terminals.

Dependencies

This parameter is visible only if the **Specify field circuit input required to produce rated terminal voltage at no load by** parameter is set to **Field circuit voltage**.

Field circuit current — Field circuit current

1000 A (default)

Current in field circuit which produces rated voltage at machine terminals.

Dependencies

This parameter is visible only if the **Specify field circuit input required to produce rated terminal voltage at no load by** parameter is set to **Field circuit current**.

Zero sequence — Zero-sequence model

Include (default) | Exclude

Zero-sequence model:

- **Include** — Prioritize model fidelity. This model is the default zero-sequence model. An error occurs if you Include zero-sequence terms for simulations that use the Partitioning solver. For more information, see “Increase Simulation Speed Using the Partitioning Solver”.
- **Exclude** — Prioritize simulation speed for desktop simulation or real-time deployment.

Dependencies

If this parameter is set to:

- **Include** and **Specify parameterization by** is set to **Fundamental parameters** — The **Stator zero-sequence inductance, L0** parameter in the **Impedances** settings is visible.
- **Include** and **Specify parameterization by** is set to **Standard parameters** — The **zero-sequence reactance, X0** parameter in the **Impedances** settings is visible.
- **Exclude** — The zero-sequence parameter in the **Impedances** settings is not visible.

Rotor angle definition — Reference point for the rotor angle measurement

Angle between the a-phase magnetic axis and the d-axis (default) | Angle between the a-phase magnetic axis and the q-axis

Reference point for the rotor angle measurement.

When you select the default value, the rotor d -axis and stator a -phase magnetic axis are aligned when the rotor angle is zero.

The other value you can choose for this parameter is **Angle between the a-phase magnetic axis and the q-axis**. When you select this value, the rotor q -axis and stator a -phase magnetic axis are aligned when the rotor angle is zero.

Impedances

Stator d-axis mutual inductance (unsaturated), L_{ad} — Stator d-axis mutual inductance (unsaturated)

0.9 (default) | positive scalar

Unsaturated stator d -axis mutual inductance. If **Magnetic saturation representation** is set to **None**, this is equivalent to the stator d -axis mutual inductance. This parameter must be greater than 0.

Dependencies

This parameter is visible only if the **Specify parameterization by** parameter is set to **Fundamental parameters**.

Stator q-axis mutual inductance, L_{aq} — Stator q-axis mutual inductance

0.55 (default) | positive scalar

Stator q -axis mutual inductance. This parameter must be greater than 0.

Dependencies

This parameter is visible only if the **Specify parameterization by** parameter is set to **Fundamental parameters**.

Stator zero-sequence inductance, L_0 — Stator zero-sequence inductance

0.15 (default) | positive scalar

Stator zero-sequence inductance. This parameter must be greater than 0.

Dependencies

This parameter is visible if the **Specify parameterization by** parameter is set to **Fundamental parameters** and the **Zero Sequence** parameter is set to **Include**.

Stator leakage inductance, L_l — Stator leakage inductance

0.15 (default) | positive scalar

Stator leakage inductance. This parameter must be greater than 0.

Dependencies

This parameter is visible only if the **Specify parameterization by** parameter is set to **Fundamental parameters**.

Stator resistance, R_a — Stator resistance

0.011 (default) | positive scalar

Stator resistance. This parameter must be greater than 0.

Rotor field circuit inductance, Lfd — Rotor field circuit inductance

0.2571 (default) | positive scalar

Rotor field circuit inductance. This parameter must be greater than 0.

Rotor field circuit resistance, Rfd — Rotor field circuit resistance

0.0006 (default) | positive scalar

Rotor field circuit resistance. This parameter must be greater than 0.

Dependencies

This parameter is visible only if the **Specify parameterization by** parameter is set to Fundamental parameters.

Rotor d-axis damper winding 1 inductance, L1d — Rotor d-axis damper winding 1 inductance

0.2 (default) | positive scalar

Rotor *d*-axis damper winding 1 inductance. This parameter must be greater than 0.

Dependencies

This parameter is visible only if the **Specify parameterization by** parameter is set to Fundamental parameters.

Rotor d-axis damper winding 1 resistance, R1d — Rotor d-axis damper winding 1 resistance

0.0354 (default) | positive scalar

Rotor *d*-axis damper winding 1 resistance. This parameter must be greater than 0.

Dependencies

This parameter is visible only if the **Specify parameterization by** parameter is set to Fundamental parameters.

Rotor q-axis damper winding 1 inductance, L1q — Rotor q-axis damper winding 1 inductance

0.2567 (default) | positive scalar

Rotor *q*-axis damper winding 1 inductance. This parameter must be greater than 0.

Dependencies

This parameter is visible only if the **Specify parameterization by** parameter is set to Fundamental parameters.

Rotor q-axis damper winding 1 resistance, R1q — Rotor q-axis damper winding 1 resistance

0.0428 (default) | positive scalar

Rotor *q*-axis damper winding 1 resistance. This parameter must be greater than 0.

Dependencies

This parameter is visible only if the **Specify parameterization by** parameter is set to Fundamental parameters.

Stator leakage reactance, X_l — Stator leakage reactance

0.15 (default) | positive scalar

Stator leakage reactance. This parameter must be greater than 0.

Dependencies

This parameter is visible only if the **Specify parameterization by** parameter to Standard parameters.

d-axis synchronous reactance, X_d — d-axis synchronous reactance

1.05 (default) | positive scalar

d-axis synchronous reactance. This parameter must be greater than 0.

Dependencies

This parameter is visible only if the **Specify parameterization by** parameter to Standard parameters.

q-axis synchronous reactance, X_q — q-axis synchronous reactance

0.7 (default) | positive scalar

q-axis synchronous reactance. This parameter must be greater than 0.

Dependencies

This parameter is visible only if the **Specify parameterization by** parameter to Standard parameters.

zero-sequence reactance, X_0 — Zero-sequence reactance

0.15 (default) | positive scalar

Zero-sequence reactance. This parameter must be greater than 0.

Dependencies

This parameter is visible only if the **Specify parameterization by** parameter to Standard parameters and the **Zero Sequence** parameter is set to Include.

d-axis transient reactance, X_d' — d-axis transient reactance

0.35 (default) | positive scalar

d-axis transient reactance. This parameter must be greater than 0.

Dependencies

This parameter is visible only if the **Specify parameterization by** parameter is set to Standard parameters.

d-axis subtransient reactance, X_d'' — d-axis subtransient reactance

0.25 (default) | positive scalar

d-axis subtransient reactance. This parameter must be greater than 0.

Dependencies

This parameter is visible only if the **Specify parameterization by** parameter is set to Standard parameters.

q-axis subtransient reactance, Xq'' – q-axis subtransient reactance

0.325 (default) | positive scalar

q-axis subtransient reactance. This parameter must be greater than 0.

Dependencies

This parameter is visible only if the **Specify parameterization by** parameter is set to Standard parameters.

Time Constants**Specify d-axis time constant – Specify d-axis time constant**

Open circuit (default) | Short circuit

Select between Open circuit and Short circuit.

The setting for this parameter affects the visibility of the *d*-axis time constant parameters.

d-axis transient open-circuit, $Td0'$ – d-axis transient open-circuit

5.25 s (default) | positive scalar

d-axis transient open-circuit time constant. This parameter must be:

- Greater than 0.
- Greater than **d-axis subtransient open-circuit, $Td0''$** .

Dependencies

This parameter is visible only if the **Specify d-axis transient time constant** parameter is set to Open circuit.

d-axis transient short-circuit, Td' – d-axis transient short-circuit

1.75 s (default) | positive scalar

d-axis transient short-circuit time constant. This parameter must be:

- Greater than 0.
- Greater than **d-axis subtransient short-circuit, Td''** .

Dependencies

This parameter is visible only if the **Specify d-axis transient time constant** parameter is set to Short circuit.

d-axis subtransient open-circuit, $Td0''$ – d-axis subtransient open-circuit

0.03 s (default) | positive scalar

d-axis subtransient open-circuit time constant. This parameter must be greater than 0.

Dependencies

This parameter is visible only if the **Specify d-axis transient time constant** parameter is set to Open circuit.

d-axis subtransient short-circuit, Td'' – d-axis subtransient short-circuit

0.0214 s (default) | positive scalar

d -axis subtransient short-circuit time constant. This parameter must be greater than 0.

Dependencies

This parameter is visible only if the **Specify d -axis transient time constant** parameter is set to Short circuit.

Specify q -axis time constant — Specify q -axis time constant

Open circuit (default) | Short circuit

Select between Open circuit and Short circuit.

The setting for this parameter affects the visibility of the q -axis time constant parameters.

 q -axis subtransient open-circuit, $Tq0'$ — q -axis subtransient open-circuit

0.05 s (default) | positive scalar

q -axis subtransient open-circuit time constant. This parameter must be greater than 0.

Dependencies

This parameter is visible only if the **Specify q -axis transient time constant** parameter is set to Open circuit.

 q -axis subtransient short-circuit, Tq' — q -axis subtransient short-circuit

0.0232 s (default) | positive scalar

q -axis subtransient short-circuit time constant. This parameter must be greater than 0.

Dependencies

This parameter is visible only if the **Specify q -axis transient time constant** parameter is set to Short circuit.

Saturation**Magnetic saturation representation — Magnetic saturation representation**

None (default) | Open-circuit lookup table (v versus i)

Block magnetic saturation model:

- None
- Open-circuit lookup table (v versus i)

Dependencies

If you set this parameter to Open-circuit lookup table (v versus i), related parameters are visible.

Per-unit field current saturation data, ifd — Per-unit field current saturation data

[0, .48, .76, 1.38, 1.79] (default)

Field current, i_{fd} , data that populates the air-gap voltage, V_{ag} , versus field current, i_{fd} , lookup table. This parameter must contain a vector with at least five elements.

Dependencies

This parameter is visible only if the **Magnetic saturation representation** parameter is set to Open-circuit lookup table (v versus i).

Per-unit air-gap voltage saturation data, V_{ag} — Per-unit air-gap voltage saturation data

[0, .8, 1.08, 1.31, 1.4] (default)

Air-gap voltage, V_{ag} , data that populates the air-gap voltage, V_{ag} , versus field current, i_{fd} , lookup table. This parameter must contain a vector with at least five elements.

Dependencies

This parameter is visible only if the **Magnetic saturation representation** parameter is set to Open-circuit lookup table (v versus i).

Initial Conditions**Initialization option — Initialization option**

Set real power, reactive power, terminal voltage, and terminal phase (default) |
Set targets for rotor angle and Park's transform variables | Set targets for
load flow variables

Model for specifying values for certain parameters and variables at the start of simulation. To:

Set an operating point regardless of the connected network, select Set real power, reactive power, terminal voltage and terminal phase.

- Specify the priority and initial target values for block variables before simulation using the **Variables** settings, select Set targets for rotor angle and Park's transform variables. For more information, see "Set Priority and Initial Target for Block Variables".
- Select a bus type and specify the related parameters for a load-flow analysis in the **Initial Conditions** settings, select Set targets for load flow variables.

Dependencies

If you set this parameter to:

- Set targets for rotor angle and Park's transform variables — The **Variables** settings become visible.
- Set real power, reactive power, terminal voltage, and terminal phase — Related parameters become visible.
- Set targets for load flow variables — Related parameters become visible.

Source type — Voltage source model

Swing bus (default) | Voltage source with series impedance | PV bus | PQ bus

Type of voltage source that the block models.

Dependencies

This parameter is visible only if the **Initialization option** parameter is set to Set targets for load flow variables and the **Source type** parameter is set to Swing bus or PV bus.

The visibility of **Terminal voltage magnitude**, **Terminal voltage angle**, **Active power generated**, **Reactive power generated**, **Minimum terminal voltage magnitude (pu)**, **Phase search range at terminals**, and **Phase search range at terminals** depend on the value that you choose for this parameter.

Terminal voltage magnitude — Terminal voltage magnitude

24e3 V (default)

Terminal voltage magnitude.

Dependencies

This parameter is visible only if the **Initialization option** parameter is set to Set real power, reactive power, terminal voltage, and terminal phase or if the **Initialization option** parameter is set to Set targets for load flow variables and the **Source type** parameter is set to Swing bus or PV bus.

Terminal voltage angle — Terminal voltage angle

0 deg (default)

Terminal voltage angle.

Dependencies

This parameter is visible only if the **Initialization option** parameter is set to Set real power, reactive power, terminal voltage, and terminal phase or if the **Initialization option** parameter is set to Set targets for load flow variables and the **Source type** parameter is set to Swing bus.

Active power generated — Active power generated

270e6 V*A (default)

Active power generated.

Dependencies

This parameter is visible only if the **Initialization option** parameter is set to Set real power, reactive power, terminal voltage, and terminal phase or if the **Initialization option** parameter is set to Set targets for load flow variables and the **Source type** parameter is set to PV bus or PQ bus.

Reactive power generated — Reactive power generated

0 V*A (default)

Reactive power generated.

Dependencies

This parameter is visible only if the **Initialization option** parameter is set to Set real power, reactive power, terminal voltage, and terminal phase or if the **Initialization option** parameter is set to Set targets for load flow variables and the **Source type** parameter is set to PQ bus.

Minimum terminal voltage magnitude (pu) — Minimum terminal voltage magnitude

0.95 (default)

Per-unit minimum steady-state voltage magnitude.

Dependencies

This parameter is visible only if the **Initialization option** parameter is set to `Set targets for load flow variables` and the **Source type** parameter is set to `PQ bus`.

Phase search range at terminals — Phase search range at terminals

`[-inf, inf] deg (default)`

Vector that defines the phase angle search range.

Dependencies

This parameter is visible only if the **Initialization option** parameter is set to `Set targets for load flow variables` and the **Source type** parameter is set to `PV bus` or `PQ bus`.

Parasitic conductance to electrical reference — Parasitic conductance to electrical reference

`1e-6 S (default)`

Parasitic conductance to the electrical reference.

Dependencies

This parameter is visible only if the **Initialization option** parameter is set to `Set targets for load flow variables`.

References

- [1] Kundur, P. *Power System Stability and Control*. New York, NY: McGraw Hill, 1993.
- [2] Lyshevski, S. E. *Electromechanical Systems, Electric Machines and Applied Mechatronics*. Boca Raton, FL: CRC Press, 1999.

Extended Capabilities**C/C++ Code Generation**

Generate C and C++ code using Simulink® Coder™.

See Also

Synchronous Machine Model 1.0 | Synchronous Machine Field Circuit | Synchronous Machine Measurement | Synchronous Machine Model 2.1 | Synchronous Machine Round Rotor

Topics

“Perform a Load-Flow Analysis Using Simscape Electrical”
 “Expand and Collapse Three-Phase Ports on a Block”

Introduced in R2013b

Synchronous Reluctance Machine

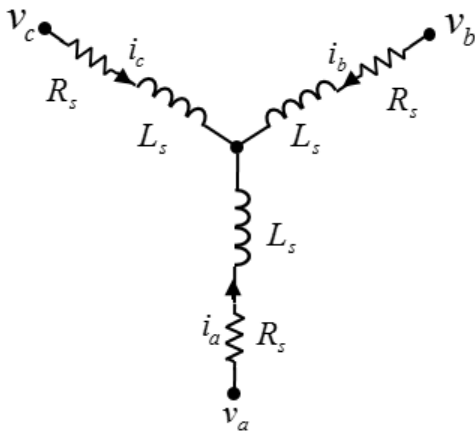
Synchronous reluctance machine with sinusoidal flux distribution

Library: Simscape / Electrical / Electromechanical / Reluctance & Stepper



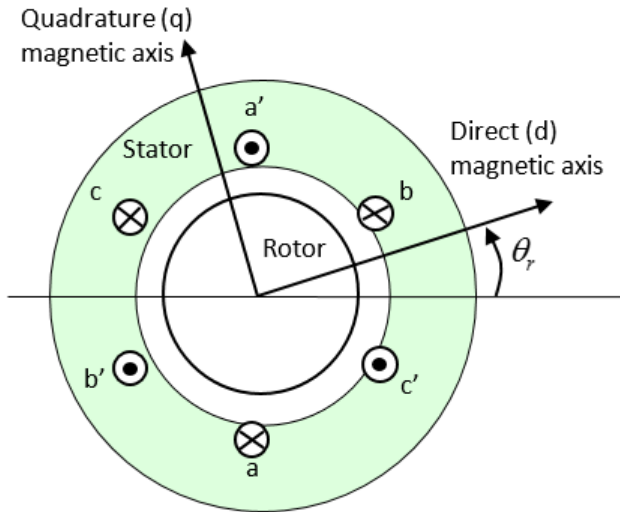
Description

The Synchronous Reluctance Machine block represents a synchronous reluctance machine (SynRM) with sinusoidal flux distribution. The figure shows the equivalent electrical circuit for the stator windings.



Motor Construction

The diagram shows the motor construction with a single pole-pair on the rotor. For the axes convention shown, when rotor mechanical angle θ_r is zero, the a -phase and permanent magnet fluxes are aligned. The block supports a second rotor axis definition for which rotor mechanical angle is defined as the angle between the a -phase magnetic axis and the rotor q -axis.



Equations

The combined voltage across the stator windings is

$$\begin{bmatrix} v_a \\ v_b \\ v_c \end{bmatrix} = \begin{bmatrix} R_s & 0 & 0 \\ 0 & R_s & 0 \\ 0 & 0 & R_s \end{bmatrix} \begin{bmatrix} i_a \\ i_b \\ i_c \end{bmatrix} + \begin{bmatrix} \frac{d\psi_a}{dt} \\ \frac{d\psi_b}{dt} \\ \frac{d\psi_c}{dt} \end{bmatrix},$$

where:

- v_a , v_b , and v_c are the individual phase voltages across the stator windings.
- R_s is the equivalent resistance of each stator winding.
- i_a , i_b , and i_c are the currents flowing in the stator windings.
- ψ_a , ψ_b , and ψ_c are the magnetic fluxes that link each stator winding.

The permanent magnet, excitation winding, and the three stator windings contribute to the flux that links each winding. The total flux is defined as

$$\begin{bmatrix} \psi_a \\ \psi_b \\ \psi_c \end{bmatrix} = \begin{bmatrix} L_{aa} & L_{ab} & L_{ac} \\ L_{ba} & L_{bb} & L_{bc} \\ L_{ca} & L_{cb} & L_{cc} \end{bmatrix} \begin{bmatrix} i_a \\ i_b \\ i_c \end{bmatrix}$$

where:

- L_{aa} , L_{bb} , and L_{cc} are the self-inductances of the stator windings.
- L_{ab} , L_{ac} , L_{ba} , L_{bc} , L_{ca} , and L_{cb} are the mutual inductances of the stator windings.

$$\theta_e = N\theta_r + \text{rotor offset}$$

$$L_{aa} = L_s + L_m \cos(2\theta_e),$$

$$L_{bb} = L_s + L_m \cos(2(\theta_e - 2\pi/3)),$$

$$L_{cc} = L_s + L_m \cos(2(\theta_e + 2\pi/3)),$$

$$L_{ab} = L_{ba} = -M_s - L_m \cos(2(\theta_e + \pi/6)),$$

$$L_{bc} = L_{cb} = -M_s - L_m \cos(2(\theta_e + \pi/6 - 2\pi/3)),$$

and

$$L_{ca} = L_{ac} = -M_s - L_m \cos(2(\theta_e + \pi/6 + 2\pi/3)),$$

where:

- θ_r is the rotor mechanical angle.
- θ_e is the rotor electrical angle.
- *rotor offset* is θ if you define the rotor electrical angle with respect to the d-axis, or $-\pi/2$ if you define the rotor electrical angle with respect to the q-axis.
- L_s is the stator self-inductance per phase. This value is the average self-inductance of each of the stator windings.
- L_m is the stator inductance fluctuation. This value is the amplitude of the fluctuation in self-inductance and mutual inductance with changing rotor angle.
- M_s is the stator mutual inductance. This value is the average mutual inductance between the stator windings.

Simplified Equations

Applying the Park transformation to the block electrical defining equations produces an expression for torque that is independent of rotor angle.

The Park transformation, P , is defined as

$$P = \frac{2}{3} \begin{bmatrix} \cos\theta_e & \cos(\theta_e - \frac{2\pi}{3}) & \cos(\theta_e + \frac{2\pi}{3}) \\ -\sin\theta_e & -\sin(\theta_e - \frac{2\pi}{3}) & -\sin(\theta_e + \frac{2\pi}{3}) \\ \frac{1}{2} & \frac{1}{2} & \frac{1}{2} \end{bmatrix},$$

where θ_e is the electrical angle. The electrical angle depends on the rotor mechanical angle and the number of pole pairs such that

$$\theta_e = N\theta_r + \text{rotor offset}$$

where:

- N is the number of pole pairs.
- θ_r is the rotor mechanical angle.

Applying the Park transformation to the first two electrical defining equations produces equations that define the behavior of the block:

$$v_d = R_s i_d + L_d \frac{di_d}{dt} - N\omega_i q L_q,$$

$$v_q = R_s i_q + L_q \frac{di_q}{dt} + N \omega i_d L_d,$$

$$v_0 = R_s i_0 + L_0 \frac{di_0}{dt},$$

$$T = \frac{3}{2} N (i_q i_d L_d - i_d i_q L_q)$$

$$J \frac{d\omega}{dt} = T - T_L - B_m \omega,$$

where:

- i_d , i_q , and i_0 are the d -axis, q -axis, and zero-sequence currents, defined by

$$\begin{bmatrix} i_d \\ i_q \\ i_0 \end{bmatrix} = P \begin{bmatrix} i_a \\ i_b \\ i_c \end{bmatrix},$$

where i_a , i_b , and i_c are the stator currents.

- v_d , v_q , and v_0 are the d -axis, q -axis, and zero-sequence currents, defined by

$$\begin{bmatrix} v_d \\ v_q \\ v_0 \end{bmatrix} = P \begin{bmatrix} v_a \\ v_b \\ v_c \end{bmatrix},$$

where v_a , v_b , and v_c are the stator currents.

- The $dq0$ inductances are defined, respectively as
 - $L_d = L_s + M_s + \frac{3}{2} L_m$
 - $L_q = L_s + M_s - \frac{3}{2} L_m$
 - $L_0 = L_s - 2M_s$.
- R_s is the stator resistance per phase.
- N is the number of rotor pole pairs.
- T is the rotor torque. For the Synchronous Reluctance Machine block, torque flows from the machine case (block conserving port **C**) to the machine rotor (block conserving port **R**).
- T_L is the load torque.
- B_m is the rotor damping.
- ω is the rotor mechanical rotational speed.
- J is the rotor inertia.

Assumptions

The flux distribution is sinusoidal.

Variables

Use the **Variables** settings to specify the priority and initial target values for the block variables before simulation. For more information, see "Set Priority and Initial Target for Block Variables".

Ports

Conserving

R – Machine rotor

mechanical rotational

Mechanical rotational conserving port associated with the machine rotor.

C – Machine case

mechanical rotational

Mechanical rotational conserving port associated with the machine case.

~ – Three-phase composite

electrical

Expandable three-phase port associated with the stator windings.

n – Neutral phase

electrical

Electrical conserving port associated with the neutral phase.

Parameters

Main

Number of pole pairs – Rotor pole pairs

6 (default) | integer

Number of permanent magnet pole pairs on the rotor.

Stator parameterization – Parameterization model

Specify L_d , L_q and L_0 (default) | Specify L_s , L_m , and M_s

Stator parameterization model.

Dependencies

The **Stator parameterization** setting affects the visibility of other parameters.

Modeling fidelity – Modeling fidelity

Constant L_d and L_q (default) | Tabulated L_d and L_q

Select the modeling fidelity:

- Constant L_d and L_q — L_d and L_q values are constant and defined by their respective parameters.
- Tabulated L_d and L_q — L_d and L_q values are computed online from DQ currents look-up tables as follows:

$$L_d = f_1(i_d, i_q)$$

$$L_q = f_2(i_d, i_q)$$

Dependencies

This parameter is visible only when you set the **Stator parameterization** parameter to Specify Ld, Lq, and L θ .

Stator d-axis inductance, Ld — Inductance

0.0031 H (default)

Direct-axis inductance of the machine stator.

Dependencies

This parameter is visible only when you set the **Stator parameterization** parameter to Specify Ld, Lq, and L θ and the **Modeling fidelity** parameter to Constant Ld and Lq.

Stator q-axis inductance, Lq — Inductance

0.004 H (default)

Quadrature-axis inductance of the machine stator.

Dependencies

This parameter is visible only when you set the **Stator parameterization** parameter to Specify Ld, Lq, and L θ and the **Modeling fidelity** parameter to Constant Ld and Lq.

Direct-axis current vector, iD — Direct-axis current vector

[-200, 0, 200] A (default)

Direct-axis current vector, iD.

Dependencies

This parameter is visible only when you set the **Stator parameterization** parameter to Specify Ld, Lq, and L θ and the **Modeling fidelity** parameter to Tabulated Ld and Lq.

Quadrature-axis current vector, iQ — Quadrature-axis current vector

[-200, 0, 200] A (default)

Quadrature-axis current vector, iQ.

Dependencies

This parameter is visible only when you set the **Stator parameterization** parameter to Specify Ld, Lq, and L θ and the **Modeling fidelity** parameter to Tabulated Ld and Lq.

Ld matrix, Ld(id,iq) — Ld matrix

0.0031 * ones(3, 3) H (default)

Ld matrix.

Dependencies

This parameter is visible only when you set the **Stator parameterization** parameter to Specify Ld, Lq, and L θ and the **Modeling fidelity** parameter to Tabulated Ld and Lq.

Lq matrix, Lq(id,iq) — Lq matrix

0.004 * ones(3, 3) H (default)

Lq matrix.

Dependencies

This parameter is visible only when you set the **Stator parameterization** parameter to Specify Ld, Lq, and L0 and the **Modeling fidelity** parameter to Tabulated Ld and Lq.

Stator zero-sequence inductance, L0 – Inductance

0.0005 H (default)

Zero-axis inductance for the machine stator.

Dependencies

This parameter is visible only if **Stator parameterization** is set to Specify Ld, Lq and L0 and **Zero sequence** is set to Include.

Stator self-inductance per phase, Ls – Inductance

0.0025 H (default)

Average self-inductance of the three stator windings.

Dependencies

This parameter is visible only if **Stator parameterization** is set to Specify Ls, Lm, and Ms.

Stator inductance fluctuation, Lm – Inductance

-0.0003 H (default)

Amplitude of the fluctuation in self-inductance and mutual inductance with the rotor angle.

Dependencies

This parameter is visible only if **Stator parameterization** is set to Specify Ls, Lm, and Ms.

Stator mutual inductance, Ms – Inductance

0.0010 H (default)

Average mutual inductance between the stator windings.

Dependencies

This parameter is visible only if **Stator parameterization** is set to Specify Ls, Lm, and Ms.

Stator resistance per phase, Rs – Resistance

0.7 Ohm (default)

Resistance of each of the stator windings.

Zero sequence – Zero-sequence model

Include (default) | Exclude

Zero-sequence model:

- **Include** — Prioritize model fidelity. An error occurs if you Include zero-sequence terms for simulations that use the Partitioning solver. For more information, see “Increase Simulation Speed Using the Partitioning Solver”.

- **Exclude** — Prioritize simulation speed for desktop simulation or real-time deployment.

Dependencies

If this parameter is set to:

- **Include** and **Stator parameterization** is set to **Specify Ld, Lq, and L0** — The **Stator zero-sequence inductance, L0** parameter is visible.
- **Exclude** — The **Stator zero-sequence inductance, L0** parameter is not visible.

Mechanical

Rotor inertia — Inertia

0.01 kg*m² (default)

Inertia of the rotor attached to mechanical translational port **R**.

Rotor Damping — Damping

0 N*m/(rad/s) (default)

Rotary damping.

Rotor angle definition — Angle

Angle between the a-phase magnetic axis and the d-axis (default) | Angle between the a-phase magnetic axis and the q-axis

Reference point for the rotor angle measurement. If you select the default value, the rotor and *a*-phase fluxes are aligned for a zero-rotor angle. Otherwise, an *a*-phase current generates the maximum torque value for a zero-rotor angle.

References

- [1] Kundur, P. *Power System Stability and Control*. New York, NY: McGraw Hill, 1993.
- [2] Anderson, P. M. *Analysis of Faulted Power Systems*. Hoboken, NJ: Wiley-IEEE Press, 1995.
- [3] Moghaddam, R. *Synchronous Reluctance Machine (SynRM) in Variable Speed Drives (VSD) Applications - Theoretical and Experimental Reevaluation*. KTH School of Electrical Engineering, Stockholm, Sweden, 2011.

Extended Capabilities

C/C++ Code Generation

Generate C and C++ code using Simulink® Coder™.

See Also

Simscape Blocks

BLDC | Hybrid Excitation PMSM | PMSM | Switched Reluctance Machine | Synchronous Machine Field Circuit | Synchronous Machine Measurement

Introduced in R2017b

Tap-Changing Transformer

Single-phase tap-changing transformer

Library: Simscape / Electrical / Passive / Transformers



Description

The Tap-Changing Transformer block represents a single-phase tap-changing transformer. You can vary the turns-ratio of the transformer during the simulation using the control input.

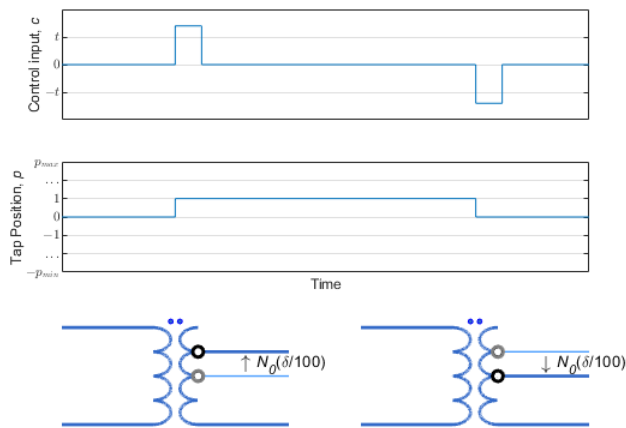
Use this component to regulate or change the output voltage of a linear transformer during a simulation. To model the effects of saturation, consider using the Nonlinear Transformer block.

Operating Principle

Use the control input c to change the tap position of the transformer.

- Increase c above the **Control threshold**, t , to increase the tap position p by one.
- Decrease c below the negative of the **Control threshold** to decrease the tap position p by one.

This figure shows the tap-response to a control input.



In the diagram:

- N_0 is the nominal number of turns for the tap-changer winding.
- δ is the percent change in turns per tap position step. Specify this value using the **Change per tap (%)** parameter.

- p_{min} and p_{max} are the minimum and maximum allowable tap indices. Specify these values with the **Minimum tap index (nominal=0)** and **Maximum tap index (nominal=0)** parameters.

To select the tap-changer winding, use the **Tap-changer location** parameter. The overall turns ratio, n , depends on this location:

- Primary

$$n = \frac{N_p(N_0, \delta, p)}{N_s} = n_0 \left(1 + \frac{\delta p}{100} \right)$$

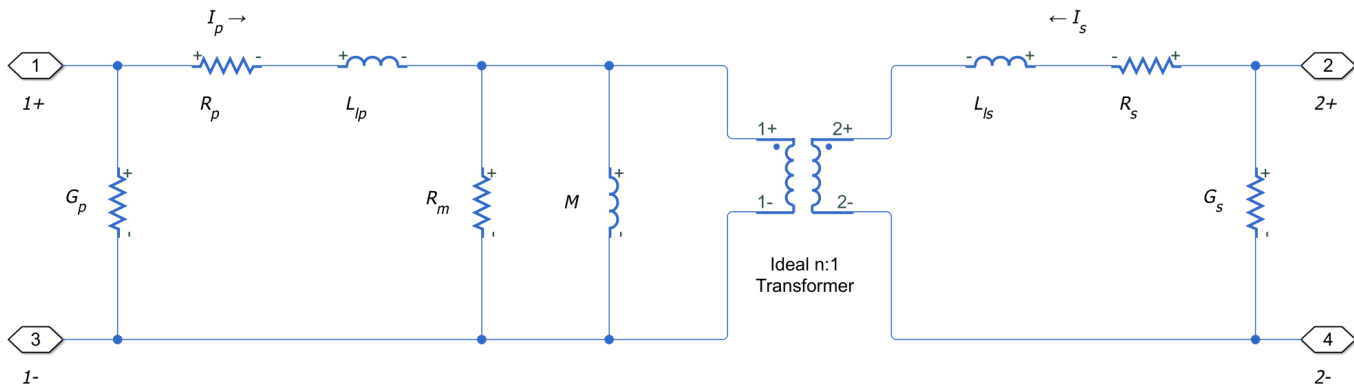
- Secondary

$$n = \frac{N_p}{N_s(N_0, \delta, p)} = n_0 \left(1 + \frac{\delta p}{100} \right)^{-1}$$

where n_0 is the nominal turns ratio for the transformer.

Equivalent Circuit

The equivalent circuit is shown in the diagram.



Here:

- R_p and R_s are the primary and secondary series resistances, respectively. Changes in the tap position affect these values.
- L_{lp} and L_{ls} are the primary and secondary leakage inductances, respectively. Changes in the tap position affect these values.
- R_m and M are the magnetization resistance and inductance, respectively. Changes in the tap position affect these values.
- n is the turns ratio of the transformer.
- G_p and G_s are the primary and secondary leakage conductances, respectively. Changes in the tap position do not affect these values.

Ports

Conserving

1+ – Line 1 positive terminal

electrical

Electrical conserving port associated with the positive terminal of line 1.

1- – Line 1 negative terminal

electrical

Electrical conserving port associated with the negative terminal of line 1.

2+ – Line 2 positive terminal

electrical

Electrical conserving port associated with the positive terminal of line 2.

2- – Line 2 negative terminal

electrical

Electrical conserving port associated with the negative terminal of line 2.

c – Control input

physical

Input physical signal that specifies the input control value.

Parameters

Nominal

Turns ratio (primary/secondary) – Turns ratio

1 (default) | positive number

Turns ratio of the transformer in the nominal tap position. The turns ratio is defined as the primary number of turns divided by the secondary number of turns.

Primary leakage inductance – Line 1 leakage inductance

1e-6 H (default) | positive number

Leakage inductance of the primary winding.

Secondary leakage inductance – Line 2 leakage inductance

1e-6 H (default) | positive number

Leakage inductance of the secondary winding.

Core-loss resistance – Mutual resistance

1e6 Ohm (default) | zero or positive number

Mutual resistance of the transformer.

Magnetization inductance — Magnetization inductance

100e-6 H (default) | positive number

Magnetization inductance of the transformer.

Primary series resistance — Line 1 series resistance

0 Ohm (default) | zero or positive number

Series resistance of the primary winding.

Secondary series resistance — Line 2 series resistance

0 Ohm (default) | zero or positive number

Series resistance of the secondary winding.

Primary leakage conductance — Line 1 leakage conductance

0 1/Ohm (default) | zero or positive number

Leakage conductance of the primary winding. Set this value to be nonzero for achieving numerical convergence in some circuit topologies.

Secondary leakage conductance — Line 2 leakage conductance

0 1/Ohm (default) | zero or positive number

Leakage conductance of the secondary winding. Set this value to be nonzero for achieving numerical convergence in some circuit topologies.

Tap**Tap-changer location — Tap-changer winding**

Primary (default) | Secondary

Specify whether the tap-changer is on the primary or secondary winding.

Minimum tap index (nominal=0) — Minimum tap position

-5 (default) | zero or negative integer

Minimum allowable position of the tap-changer.

Maximum tap index (nominal=0) — Maximum tap position

5 (default) | zero or positive integer

Maximum allowable position of the tap-changer.

Change per tap (%) — Tap change step

1 % (default) | positive number

Percent change in the number of turns per tap position step of the tap-changer winding. Set this value such that the absolute percent change at the minimum and maximum tap indices is less than 100 %.

Control threshold — Shift threshold

0.5 (default)

Control value at which the tap changes position. To lower the tap position, apply a control signal **c** smaller than the negative of this value. To increase the tap position, apply a control signal **c** greater than this value.

Extended Capabilities

C/C++ Code Generation

Generate C and C++ code using Simulink® Coder™.

See Also

Earthing Transformer | Ideal Transformer | Nonlinear Transformer | Three-Winding Transformer (Three-Phase) | Three-Winding Transformer (Three-Phase) | Two-Winding Transformer (Three-Phase) | Zigzag-Delta-Wye Transformer

Introduced in R2018a

Thermal Resistor

Heat transfer by conduction through a layer of material

Library: Simscape / Electrical / Passive / Thermal



Description

The Thermal Resistor block represents heat transfer by conduction through a layer of material. The heat transfer is:

- Governed by Fourier's law
- Proportional to the temperature difference across the layer of material
- Inversely proportional to the thermal resistance of the material

The equation for conductive heat transfer is:

$$Q_{AB} = \frac{T_{AB}}{R_{thermal}}$$

where:

- Q_{AB} is the heat flow through the material.
- T_{AB} is the temperature difference across the layer of material.
- $R_{thermal}$ is the thermal resistance of the material.

Thermal resistance can be calculated as:

$$R_{thermal} = \frac{D}{kA}$$

where:

- D is the thickness of the layer of material.
- k is the thermal conductivity of the material.
- A is the area normal to the heat flow direction.

Use the Thermal Resistor block to parameterize an equivalent component in terms of thermal resistance of the material layer. To parameterize an equivalent component in terms of the thickness, thermal conductivity, and area of the material layer, use the Conductive Heat Transfer block from the Simscape Foundation library.

Variables

Use the **Variables** settings to specify the priority and initial target values for the block variables before simulation. For more information, see "Set Priority and Initial Target for Block Variables".

Unlike block parameters, variables do not have conditional visibility. The **Variables** settings include all the existing block variables. If a variable is not used in the set of equations corresponding to the selected block configuration, the values specified for this variable are ignored.

Ports

Conserving

A – Surface A

thermal

Thermal conserving port associated with surface A of the material that the heat flows through.

B – Surface B

thermal

Thermal conserving port associated with surface B of the material that the heat flows through.

Parameters

Thermal resistance – Thermal resistance

1e-3 K/W (default)

Thermal resistance, $R_{thermal}$.

Extended Capabilities

C/C++ Code Generation

Generate C and C++ code using Simulink® Coder™.

See Also

Cauer Thermal Model Element | Foster Thermal Model

Introduced in R2016a

Thermistor

Negative temperature coefficient thermistor using B-parameter equation

Library: Simscape / Electrical / Sensors & Transducers



Description

The Thermistor block represents an NTC thermistor using the B-parameter equation. The resistance at temperature T is

$$R = R_0 e^{B(1/T - 1/T_0)}$$

where:

- R_0 is the nominal resistance at the reference temperature T_0 .
- B is the characteristic temperature constant.

The following equation describes the thermal behavior of the block:

$$Q = K_d t_c \frac{dT}{dt}$$

where:

- Q is the net heat flow into port A.
- K_d is the **Dissipation factor** parameter value.
- t_c is the **Thermal time constant** parameter value.
- dT/dt is the rate of change of the temperature.

To model the thermistor in free space:

- 1 Connect the thermistor to the B port of a SimscapeConvective Heat Transfer block.
- 2 Connect the A port of the Convective Heat Transfer block to a SimscapeIdeal Temperature Source block whose temperature is set to the ambient temperature.
- 3 Set the **Area** parameter of the Convective Heat Transfer block to an approximate area A_{nom} .
- 4 Set the **Heat transfer coefficient** parameter of the Convective Heat Transfer block to K_d/A_{nom} .

Variables

Use the **Variables** section of the block interface to set the priority and initial target values for the block variables prior to simulation. For more information, see “Set Priority and Initial Target for Block Variables”.

Ports

Conserving

A — Thermal port

thermal

Thermal port.

+ — Positive port

electrical

Electrical conserving port associated with the thermistor positive port.

- — Negative port

electrical

Electrical conserving port associated with the thermistor negative port.

Parameters

Electrical

Nominal resistance R0 at reference temperature T0 — Nominal resistance at reference temperature

1000 Ohm (default)

Nominal resistance of the thermistor at the reference temperature. Many datasheets quote the nominal resistance at 25°C and list it as R25.

Characteristic temperature constant B — Characteristic temperature constant

3500 K (default)

Coefficient B in the equation that describes resistance as a function of temperature.

Reference temperature T0 — Reference temperature

298.15 K (default)

Temperature at which the nominal resistance was measured.

Thermal

Thermal time constant — Thermal time constant

5.0 s (default)

Time it takes the sensor temperature to reach 63% of the final temperature change when a step change in ambient temperature occurs.

Dissipation factor — Dissipation factor

0.75e-3 W/K (default)

Thermal power required to raise the thermistor temperature by one K.

Extended Capabilities

C/C++ Code Generation

Generate C and C++ code using Simulink® Coder™.

See Also

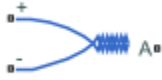
PTC Thermistor | Resistor | Thermal Resistor

Introduced in R2008a

Thermocouple

Sensor that converts thermal potential difference into electrical potential difference

Library: Simscape / Electrical / Sensors & Transducers



Description

The Thermocouple block represents a thermocouple using the standard polynomial parameterization defined in the NIST ITS-90 Thermocouple Database [1].

For thermocouples Type B, E, J, K ($t \leq 0$ degC), N, R, S or T, the voltage E across the device in mV is

$$E(\text{mV}) = c_0 + c_1 t + \dots + c_n t^n$$

where:

- c_i is the i^{th} element of the **Coefficients [c0 c1 ... cn]** parameter value.
- t is the temperature difference in degrees Celsius between the temperature at the thermal port A and the **Reference temperature** parameter value.

Note The equation for voltage across the device as a function of temperature difference is defined in mV. The units of the voltage across the actual device is V.

For thermocouples Type K ($t \geq 0$ degC), the equation contains an additional exponential term:

$$E(\text{mV}) = c_0 + c_1 t + \dots + c_n t^n + a_0 e^{a_1(t - a_2)^2}$$

where a_0 , a_1 , and a_2 are additional coefficients, required only by the Type K thermocouple, defined by the **Coefficients [a0 a1 a2]** parameter value.

The following equation describes the thermal behavior of the block:

$$Q = K_d t_c \frac{dT}{dt}$$

where:

- T is the temperature at port A.
- Q is the net heat flow into port A.
- K_d is the **Dissipation factor** parameter value.
- t_c is the **Thermal time constant** parameter value.
- dT/dt is the rate of change of the temperature.

To model the thermocouple in free space:

- 1 Connect the thermocouple to the B port of a SimscapeConvective Heat Transfer block.
- 2 Connect the A port of the Convective Heat Transfer block to a SimscapeIdeal Temperature Source block whose temperature is set to the ambient temperature.
- 3 Set the **Area** parameter of the Convective Heat Transfer block to an approximate area A_{nom} .
- 4 Set the **Heat transfer coefficient** parameter of the Convective Heat Transfer block to K_d/A_{nom} .

Assumptions and Limitations

- The high-order polynomials this block uses are very sensitive to the number of significant figures used for computation. Use all available significant figures when specifying the **Coefficients [c0 c1 ... cn]** parameter.
- **Coefficients [c0 c1 ... cn]** are defined for use over a specified temperature range.
- The maximum supported value for n in the **Coefficients [c0 c1 ... cn]** parameter is 14, that is, the vector cannot have more than 15 elements.

Ports

Conserving

A — Thermal port

thermal

Thermocouple thermal port.

+ — Positive port

electrical

Electrical conserving port associated with the thermocouple positive port.

- — Negative port

electrical

Electrical conserving port associated with the thermocouple negative port.

Parameters

Electrical

Thermocouple type — Thermocouple type

Type B, E, J, K ($t \leq 0$ degC), N, R, S or T (default) | Type K ($t \geq 0$ degC)

Select one of the modeling options:

- Type B, E, J, K ($t \leq 0$ degC), N, R, S or T — This option is equivalent to the block functionality in previous releases.
- Type K ($t \geq 0$ degC) — This option adds an exponential term to the block equations when the temperature difference is greater than 0 degrees Celsius.

Coefficients [c0 c1 ... cn] — Coefficients [c0 c1 ... cn]

[0, 0, 0, 0, 0, 0, 0, 0, 0, 0] (default)

Vector of coefficients c in the equation that describes voltage as a function of temperature. The maximum length of the vector is 15 elements.

Note You can download parameters for standard thermocouple types from the NIST database [1]. For information on how to do this, see the SimulinkApproximating Nonlinear Relationships: Type S Thermocouple example.

Coefficients [a0 a1 a2] – Coefficients [a0 a1 a2]

[0, 0, 0] (default)

Vector of additional coefficients a_0 , a_1 , and a_2 , required only by the Type K thermocouple.

Dependencies

This parameter is visible only when you select Type K ($t \geq 0$ degC) for the **Thermocouple model** parameter.

Thermal**Reference temperature – Reference temperature**

0 degC (default)

Temperature the block subtracts from the temperature at the thermal port in calculating the voltage across the device.

Thermal time constant – Thermal time constant

1 s (default)

Time it takes the thermocouple temperature to reach 63% of the final temperature change when a step change in ambient temperature occurs.

Dissipation factor – Dissipation factor

1e-3 W/K (default)

Thermal power required to raise the thermocouple temperature by one K.

Initial temperature – Initial temperature

25 degC (default)

Temperature of the thermocouple at the start of the simulation.

References

[1] Dean C. Ripple, NIST ITS-90 Thermocouple Database, December 21, 1999 (<https://srdata.nist.gov/its90/main>)

Extended Capabilities**C/C++ Code Generation**

Generate C and C++ code using Simulink® Coder™.

See Also

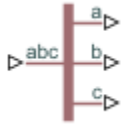
Thermal Resistor

Introduced in R2008a

Three Element Demux

Convert three-element physical signal vector into scalar physical signals

Library: Simscape / Electrical / Connectors & References



Description

The Three Element Demux block splits a three-element physical signal vector into three scalar physical signals.

Ports

Input

abc — Three-element physical signal

physical signal

Three-element physical signal input port.

Output

a — Scalar physical signal

physical signal

Scalar physical signal output port.

b — Scalar physical signal

physical signal

Scalar physical signal output port.

c — Scalar physical signal

physical signal

Scalar physical signal output port.

Extended Capabilities

C/C++ Code Generation

Generate C and C++ code using Simulink® Coder™.

See Also

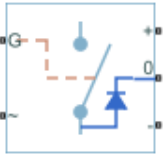
Phase Permute | Phase Splitter

Introduced in R2013b

Three-Level Converter (Three-Phase)

Twelve-pulse three-phase three-level neutral-point clamped controlled converter

Library: Simscape / Electrical / Semiconductors & Converters / Converters



Description

The Three-Level Converter (Three-Phase) block models a twelve-pulse three-phase three-level neutral-point clamped controlled converter. You can use this block to connect a three-phase AC network to a three-level DC network.

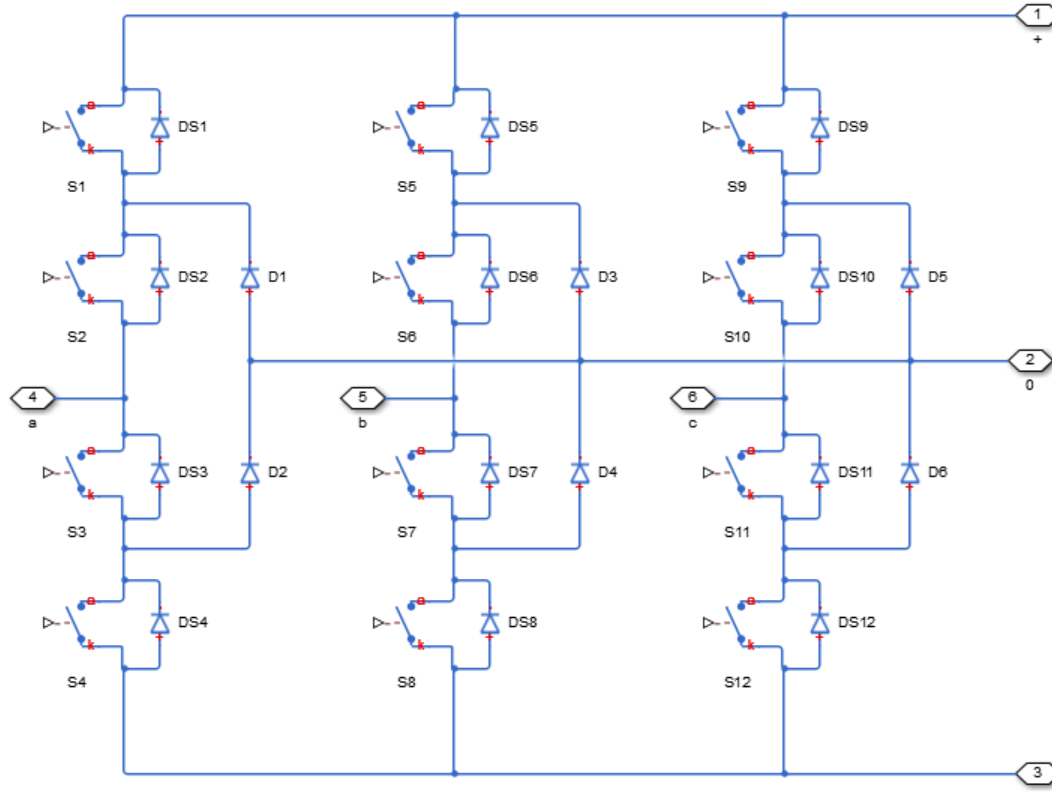
Model

The block contains three bridge arms, each of which has four switching devices and the associated anti-parallel diodes. Options for the type of switching devices are:

- GTO
- Ideal Semiconductor Switch
- IGBT
- MOSFET
- Averaged Switch

Each component in the three-arm circuit is the same switching device that you specify. The switching devices are the same as the devices in the **Semiconductors > Fundamental Components** sublibrary.

The figure shows the equivalent circuit for the block using an Ideal Semiconductor block as the switching device.



You control the gate ports of the 12 switching devices via an input to the Three-Level Converter (Three-Phase) block **G** port.

- 1 Use a Twelve-Pulse Gate Multiplexer block to multiplex all 12 gate signals into a single vector.
- 2 Connect the output of the Twelve-Pulse Gate Multiplexer block to the Three-Level Converter (Three-Phase) block **G** port.

You use the **Diodes** tab of the block dialog box to include an integral protection diode for each switching device. An integral diode protects the semiconductor device by providing a conduction path for reverse current. An inductive load can produce a high reverse-voltage spike when the semiconductor device suddenly switches off the voltage supply to the load.

The table shows how to set the **Integral protection diode** parameter based on your goals.

Goals	Value to Select	Integral Protection Diode
Prioritize simulation speed.	Diode with no dynamics	The Diode block
Prioritize model fidelity by precisely specifying reverse-mode charge dynamics.	Diode with charge dynamics	The dynamic model of the Diode block

You use the **Snubbers** tab of the block dialog box to include a snubber circuit for each switching device. Each snubber consists of a resistor and capacitor connected in series. Typically, a snubber circuit protects a switching device against very high voltages produced by an inductive load when the device turns off the voltage supply to the load. Snubber circuits also prevent excessive rates of change of current when a switching device turns on.

Ports

Conserving

G – Gate terminals

electrical

Vector input port associated with the gate terminals of the switching devices. Connect this port to a Twelve-Pulse Gate Multiplexer block.

~ – Three-phase port

electrical

Expandable three-phase port.

+ – Positive terminal

electrical

Electrical conserving port associated with the DC positive terminal.

0 – Neutral terminal

electrical

Electrical conserving port associated with the DC neutral terminal.

- – Negative terminal

electrical

Electrical conserving port associated with the DC negative terminal.

Parameters

Switching device – Switching device

Ideal Semiconductor Switch (default) | GTO | IGBT | MOSFET | Averaged Switch

Converter switching device. The default value is Ideal Semiconductor Switch.

The switching devices you can select are:

- “Switching Devices: GTO” on page 1-2046
- “Switching Devices: Ideal Semiconductor Switch” on page 1-2047
- “Switching Devices: IGBT” on page 1-2048
- “Switching Devices: MOSFET” on page 1-2048
- “Switching Devices: Averaged Switch” on page 1-2049

Dependencies

Multiple additional parameters will become visible depending on the choice of the specific switching device.

Switching Devices: GTO

For more information, see GTO.

The parameters for this switching device will be visible only if you select it in the **Switching device** parameter.

Forward voltage, Vf — Forward voltage

0.8 V (default)

Minimum voltage required across the anode and cathode block ports for the gradient of the device i-v characteristic to be $1/R_{on}$, where R_{on} is the value of **On-state resistance**.

On-state resistance — On-state resistance

0.001 Ohm (default)

Rate of change of voltage versus current above the forward voltage.

Off-state Conductance — Off-state conductance

1e-6 1/Ohm (default)

Anode-cathode conductance when the device is off. The value must be less than $1/R$, where R is the value of **On-state resistance**.

Gate trigger voltage, Vgt — Gate trigger voltage

1 V (default)

Gate-cathode voltage threshold. The device turns on when the gate-cathode voltage is above this value.

Gate turn-off voltage, Vgt_off — Gate turn-off voltage

-1 V (default)

Gate-cathode voltage threshold. The device turns off when the gate-cathode voltage is below this value.

Holding current — Holding current

1 A (default)

Current threshold. The device stays on when the current is above this value, even when the gate-cathode voltage falls below the gate trigger voltage.

Switching Devices: Ideal Semiconductor Switch

For more information, see Ideal Semiconductor Switch.

The parameters for this switching device will be visible only if you select it in the **Switching device** parameter.

On-state resistance — On-state resistance

0.001 Ohm (default)

Anode-cathode resistance when the device is on.

Off-state Conductance — Off-state conductance

1e-6 1/Ohm (default)

Anode-cathode conductance when the device is off. The value must be less than $1/R$, where R is the value of **On-state resistance**.

Threshold voltage, Vth — Threshold voltage

6 V (default)

Gate-cathode voltage threshold. The device turns on when the gate-cathode voltage is above this value.

Switching Devices: IGBT

For more information, see IGBT (Ideal, Switching).

The parameters for this switching device will be visible only if you select it in the **Switching device** parameter.

Forward voltage, Vf — Forward voltage

0.8 V (default)

Minimum voltage required across the collector and emitter block ports for the gradient of the diode i - v characteristic to be $1/R_{on}$, where R_{on} is the value of **On-state resistance**.

On-state resistance — On-state resistance

0.001 Ohm (default)

Collector-emitter resistance when the device is on.

Off-state Conductance — Off-state conductance

1e-6 1/Ohm (default)

Collector-emitter conductance when the device is off. The value must be less than $1/R$, where R is the value of **On-state resistance**.

Threshold voltage, Vth — Threshold voltage

6 V (default)

Gate-emitter voltage at which the device turns on.

Switching Devices: MOSFET

For more information, see MOSFET (Ideal, Switching).

The parameters for this switching device will be visible only if you select it in the **Switching device** parameter.

Drain-source on resistance, R_DS(on) — Drain-source on resistance

0.001 Ohm (default)

Drain-source resistance when the device is on.

Off-state Conductance — Off-state conductance

1e-6 1/Ohm (default)

Drain-source conductance when the device is off. The value must be less than $1/R$, where R is the value of **On-state resistance**.

Threshold voltage, Vth — Threshold voltage

6 V (default)

Gate-source voltage threshold. The device turns on when the gate-source voltage is above this value.

Switching Devices: Averaged Switch

The parameters for this switching device will be visible only if you select it in the **Switching device** parameter.

On-state resistance — On-state resistance

0.001 Ohm (default)

Anode-cathode resistance when the device is on.

Integral Diodes

Integral protection diode — Integral protection diode

None (default) | Diode with no dynamics | Diode with charge dynamics

Integral protection diode for each switching device.

The diodes you can select are:

- Diode with no dynamics
- Diode with charge dynamics

Note If you select Averaged Switch for the **Switching Device** parameter in the **Switching Device** setting, this parameter is not visible and Diode with no dynamics is automatically selected.

Forward voltage — Forward voltage

0.8 V (default)

Minimum voltage required across the + and - block ports for the gradient of the diode I-V characteristic to be $1/R_{on}$, where R_{on} is the value of **On resistance**.

Dependencies

To enable this parameter, set **Integral protection diode** to Diode with no dynamics or Diode with charge dynamics.

On resistance — On resistance

0.001 Ohm (default)

Rate of change of voltage versus current above the **Forward voltage**.

Dependencies

To enable this parameter, set **Integral protection diode** to Diode with no dynamics or Diode with charge dynamics.

Off conductance — Off conductance

1e-5 1/Ohm (default)

Conductance of the reverse-biased diode.

Dependencies

To enable this parameter, set **Integral protection diode** to Diode with no dynamics or Diode with charge dynamics.

Junction capacitance — Junction capacitance

50e-9 F (default)

Diode junction capacitance.

Dependencies

To enable this parameter, set **Integral protection diode** to Diode with charge dynamics.

Peak reverse current, i_{RM} — Peak reverse current

-235 A (default) | negative scalar

Peak reverse current measured by an external test circuit. This value must be less than zero. The default value is -235 A.

Dependencies

To enable this parameter, set **Integral protection diode** to Diode with charge dynamics.

Initial forward current when measuring i_{RM} — Initial forward current when measuring i_{RM}

300 A (default) | positive scalar

Initial forward current when measuring peak reverse current. This value must be greater than zero.

Dependencies

To enable this parameter, set **Integral protection diode** to Diode with charge dynamics.

Rate of change of current when measuring i_{RM} — Rate of change of current when measuring i_{RM}

-50A/ μ s (default) | negative scalar

Rate of change of current when measuring peak reverse current. This value must be less than zero.

Dependencies

To enable this parameter, set **Integral protection diode** to Diode with charge dynamics.

Reverse recovery time parameterization — Reverse recovery time parameterization

Specify reverse recovery time directly (default) | Specify stretch factor | Specify reverse recovery charge

Determines how you specify reverse recovery time in the block. The default value is Specify reverse recovery time directly.

If you select Specify stretch factor or Specify reverse recovery charge, you specify a value that the block uses to derive the reverse recovery time. For more information on these options, see “How the Block Calculates T_M and τ ” on page 1-374.

Dependencies

To enable this parameter, set **Integral protection diode** to Diode with charge dynamics.

Reverse recovery time, trr – Reverse recovery time15 μ s (default)

Interval between the time when the current initially goes to zero (when the diode turns off) and the time when the current falls to less than 10% of the peak reverse current. The value of the **Reverse recovery time, trr** parameter must be greater than the value of the **Peak reverse current, iRM** parameter divided by the value of the **Rate of change of current when measuring iRM** parameter.

Dependencies

To enable this parameter, set **Integral protection diode** to Diode with charge dynamics and **Reverse recovery time parameterization** to Specify reverse recovery time directly.

Reverse recovery time stretch factor – Reverse recovery time stretch factor

3 (default)

Value that the block uses to calculate **Reverse recovery time, trr**. This value must be greater than 1. Specifying the stretch factor is an easier way to parameterize the reverse recovery time than specifying the reverse recovery charge. The larger the value of the stretch factor, the longer it takes for the reverse recovery current to dissipate.

Dependencies

To enable this parameter, set **Integral protection diode** to Diode with charge dynamics and **Reverse recovery time parameterization** to Specify stretch factor.

Reverse recovery charge, Qrr – Reverse recovery charge1500 μ As (default)

Value that the block uses to calculate **Reverse recovery time, trr**. Use this parameter if the data sheet for your diode device specifies a value for the reverse recovery charge instead of a value for the reverse recovery time.

The reverse recovery charge is the total charge that continues to dissipate when the diode turns off.

The value must be less than $-\frac{i_{RM}^2}{2a}$,

where:

- i_{RM} is the value specified for **Peak reverse current, iRM**.
- a is the value specified for **Rate of change of current when measuring iRM**.

Dependencies

To enable this parameter, set **Integral protection diode** to Diode with charge dynamics and **Reverse recovery time parameterization** to Specify reverse recovery charge.

For more information on these parameters, see Diode.

Snubbers

The **Snubbers** parameters tab is not visible if you set **Switching device** to Averaged Switch.

Snubber – Snubber

None (default) | RC snubber

Snubber for each switching device:

- None - This is the default value.
- RC snubber

Snubber resistance — Snubber resistance

0.1 Ohm (default)

Snubber resistance.

Dependencies

This parameter is visible only when the **Snubber** parameter is set to RC snubber.

Snubber capacitance — Snubber capacitance

1e-7 F (default)

Snubber capacitance.

Dependencies

This parameter is visible only when the **Snubber** parameter is set to RC snubber.

Extended Capabilities**C/C++ Code Generation**

Generate C and C++ code using Simulink® Coder™.

See Also

[Average-Value Inverter \(Three-Phase\)](#) | [Average-Value Rectifier \(Three-Phase\)](#) | [Converter \(Three-Phase\)](#) | [Rectifier \(Three-Phase\)](#) | [Twelve-Pulse Gate Multiplexer](#)

Topics

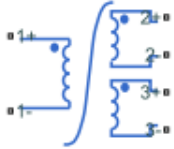
[“Expand and Collapse Three-Phase Ports on a Block”](#)

Introduced in R2014b

Three-Winding Nonlinear Transformer

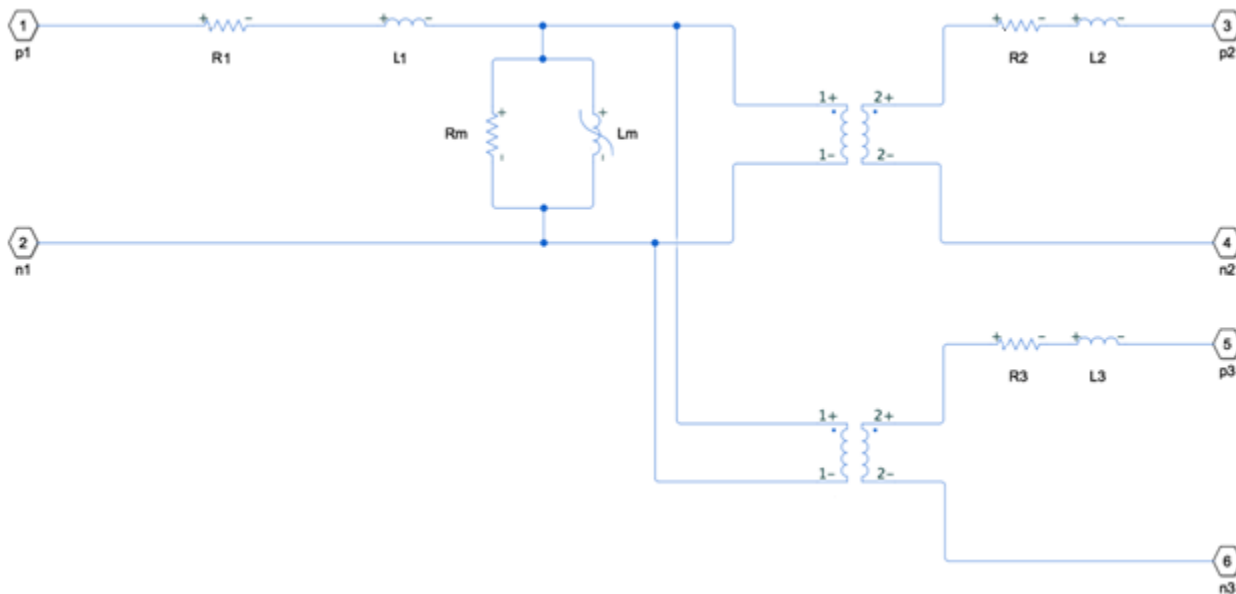
Single-phase nonlinear three-winding transformer

Library: Simscape / Electrical / Passive / Transformers



Description

The Three-Winding Nonlinear Transformer block represents a single-phase, nonlinear, three-winding transformer with a nonideal core. A core may be nonideal due to its magnetic properties or dimensions. This figure shows the equivalent circuit topology:



where:

- $R1$ is the primary leakage resistance.
- $L1$ is the primary leakage inductance.
- $R2$ is the first secondary leakage resistance.
- $L2$ is the first secondary leakage inductance.
- $R3$ is the second secondary leakage resistance.
- $L3$ is the second secondary leakage inductance.
- Rm is the magnetization resistance.
- Lm is the magnetization inductance.

The block provides the following parameterization options for the nonlinear magnetization inductance:

- Single inductance (linear)
- Single saturation point
- Magnetic flux versus current characteristic
- Magnetic flux density versus magnetic field strength characteristic
- Magnetic flux density versus magnetic field strength characteristic with hysteresis

For more information, see the Nonlinear Inductor block reference page.

Ports

Conserving

1+ — Line 1 positive terminal

electrical

Electrical conserving port associated with the positive terminal of line 1.

1- — Line 1 negative terminal

electrical

Electrical conserving port associated with the negative terminal of line 1.

2+ — Line 2 positive terminal

electrical

Electrical conserving port associated with the positive terminal of line 2.

2- — Line 2 negative terminal

electrical

Electrical conserving port associated with the negative terminal of line 2.

3+ — Line 3 positive terminal

electrical

Electrical conserving port associated with the positive terminal of line 3.

3- — Line 3 negative terminal

electrical

Electrical conserving port associated with the negative terminal of line 3.

Parameters

Main

Primary number of turns — Winding 1 primary turns number

100 (default) | positive scalar integer

Number of turns of wire on the first primary winding of the transformer.

First secondary number of turns – Winding 2 turns number

200 (default) | positive scalar integer

Number of turns of wire on the first secondary winding of the transformer.

Second secondary number of turns – Winding 3 turns number

200 (default) | positive scalar integer

Number of turns of wire on the second secondary winding of the transformer.

Primary leakage resistance – Winding 1 leakage resistance

0.01 Ohm (default) | nonnegative scalar

Resistance for $R1$, which represents the power loss of the primary winding.

Primary leakage inductance – Winding 1 leakage inductance

0.0001 H (default) | nonnegative scalar

Inductance for $L1$, which represents the magnetic flux loss of the primary winding.

First secondary leakage resistance – Winding 2 leakage resistance

0.01 Ohm (default) | nonnegative scalar

Resistance for $R2$, which represents the power loss of the first secondary winding.

First secondary leakage inductance – Winding 2 leakage inductance

0.0001 H (default) | nonnegative scalar

Inductance for $L2$, which represents the magnetic flux loss of the first secondary winding.

Second secondary leakage resistance – Winding 3 leakage resistance

0.01 Ohm (default) | nonnegative scalar

Resistance for $R3$, which represents the power loss of the second secondary winding.

Second secondary leakage inductance – Winding 3 leakage inductance

0.0001 H (default) | nonnegative scalar

Inductance for $L3$, which represents the magnetic flux loss of the second secondary winding.

Magnetization

Magnetization resistance – Magnetization resistance

100 Ohm (default)

Resistance for Rm , which represents the magnetic losses in the transformer core.

Magnetization inductance parameterized by – Nonlinear magnetization inductance parameterization

Single saturation point (default) | Single inductance (linear) | Magnetic flux versus current characteristic | Magnetic flux density versus field strength characteristic | Magnetic flux density versus field strength characteristic with hysteresis

Method of the nonlinear magnetization inductance parameterization:

- **Single inductance (linear)** — Provide the unsaturated inductance value.
- **Single saturation point** — Provide the values for the unsaturated and saturated inductances, as well as saturation magnetic flux. This is the default option.
- **Magnetic flux versus current characteristic** — Provide the current vector and the magnetic flux vector, and then populate the magnetic flux versus current lookup table.
- **Magnetic flux density versus field strength characteristic** — Provide the values for effective core length, cross-sectional area, magnetic field strength vector and the magnetic flux density vector, and then populate the magnetic flux density versus magnetic field strength lookup table.
- **Magnetic flux density versus field strength characteristic with hysteresis** — Define magnetic flux density as a function of both the current value and the history of the field strength by providing the number of turns, the effective core length and cross-sectional area, the initial anhysteretic B-H curve gradient, the magnetic flux density and field strength at a certain point on the B-H curve, the coefficient for the reversible magnetization, the bulk coupling coefficient, and the inter-domain coupling factor.

Unsaturated inductance — Unsaturated inductance

4e-2 H (default)

Value of inductance used when the magnetization inductance L_m is operating in its linear region.

Dependencies

To enable this parameter, set the **Magnetization inductance parameterized by** parameter to Single inductance (linear) or Single saturation point.

Saturated inductance — Saturated inductance

1e-2 H (default)

Value of inductance used when the magnetization inductance L_m is operating beyond its saturation point.

Dependencies

To enable this parameter, set the **Magnetization inductance parameterized by** parameter to Single saturation point.

Saturation magnetic flux — Saturation magnetic flux

1.6e-04 Wb (default)

Value of magnetic flux at which the magnetization inductance L_m saturates.

Dependencies

To enable this parameter, set the **Magnetization inductance parameterized by** parameter to Single saturation point.

Current vector, \mathbf{i} — Current data

[0, .4, .8, 1.2, 1.6, 2] A (default)

Current data used to populate the magnetic flux versus current lookup table.

Dependencies

To enable this parameter, set the **Magnetization inductance parameterized by** parameter to Magnetic flux versus current characteristic.

Magnetic flux vector, phi – Magnetic flux vector

[0, .161, .25, .284, .295, .299] .* 1e-3 Wb (default)

Magnetic flux data used to populate the magnetic flux versus current lookup table.

Dependencies

To enable this parameter, set the **Magnetization inductance parameterized by** parameter to Magnetic flux versus current characteristic.

Magnetic field strength vector, H – Magnetic field strength vector

[0, 200, 400, 600, 800, 1000] A/m (default)

Magnetic field strength data used to populate the magnetic flux density versus magnetic field strength lookup table.

Dependencies

To enable this parameter, set the **Magnetization inductance parameterized by** parameter to Magnetic flux density versus field strength characteristic.

Magnetic flux density vector, B – Magnetic flux density vector

[0, .81, 1.25, 1.42, 1.48, 1.49] T (default)

Magnetic flux density data used to populate the magnetic flux density versus magnetic field strength lookup table.

Dependencies

To enable this parameter, set the **Magnetization inductance parameterized by** parameter to Magnetic flux density versus field strength characteristic.

Effective length – Effective length

0.2 m (default)

Effective core length, also defined as the average distance of the magnetic path around the transformer core.

Dependencies

To enable this parameter, set the **Magnetization inductance parameterized by** parameter to Magnetic flux density versus field strength characteristic.

Effective cross-sectional area – Effective cross-sectional area

2e-4 m² (default)

Effective core cross-sectional area, also defined as the average area of the magnetic path around the transformer core.

Dependencies

To enable this parameter, set the **Magnetization inductance parameterized by** parameter to Magnetic flux density versus field strength characteristic.

Anhyysteretic B-H gradient when H is zero – Anhyysteretic B-H gradient around zero field strength

0.005 m*T/A (default)

Gradient of the anhyysteretic B-H curve around zero field strength. Set this parameter to the average gradient of the positive-going and negative-going hysteresis curves.

Dependencies

To enable this parameter, set the **Magnetization inductance parameterized by** parameter to Magnetic flux density versus field strength characteristic with hysteresis.

Flux density point on anhyysteretic B-H curve – Flux density point on anhyysteretic B-H curve

1.49 T (default)

Specify a point on the anhyysteretic curve by providing its flux density value. Picking a point at high field strength where the positive-going and negative-going hysteresis curves align is the most accurate option.

Dependencies

To enable this parameter, set the **Magnetization inductance parameterized by** parameter to Magnetic flux density versus field strength characteristic with hysteresis.

Corresponding field strength – Corresponding field strength

1000 A/m (default)

Corresponding field strength for the point defined by the **Flux density point on anhyysteretic B-H curve** parameter.

Dependencies

To enable this parameter, set the **Magnetization inductance parameterized by** parameter to Magnetic flux density versus field strength characteristic with hysteresis.

Coefficient for reversible magnetization, c – Coefficient for reversible magnetization

0.1 (default)

Proportion of the magnetization that is reversible. The value should be greater than zero and less than one.

Dependencies

To enable this parameter, set the **Magnetization inductance parameterized by** parameter to Magnetic flux density versus field strength characteristic with hysteresis.

Bulk coupling coefficient, K – Bulk coupling coefficient

200 A/m (default)

Jiles-Atherton parameter that primarily controls the field strength magnitude at which the B-H curve crosses the zero flux density line.

Dependencies

To enable this parameter, set the **Magnetization inductance parameterized by** parameter to Magnetic flux density versus field strength characteristic with hysteresis.

Inter-domain coupling factor, alpha – Inter-domain coupling factor

1e-4 (default)

Jiles-Atherton parameter that primarily affects the points at which the B-H curves intersect the zero field strength line. Typical values are in the range of 1e-4 to 1e-3.

Dependencies

To enable this parameter, set the **Magnetization inductance parameterized by** parameter to Magnetic flux density versus field strength characteristic with hysteresis.

Interpolation option – Interpolation option

Linear (default) | Smooth

Lookup table interpolation option. Select one of the following interpolation methods:

- **Linear** — Select this option to get the best performance.
- **Smooth** — Produce a continuous curve with continuous first-order derivatives.

For more information on interpolation algorithms, see the PS Lookup Table (1D) block reference page.

Dependencies

To enable this parameter, set the **Magnetization inductance parameterized by** parameter to Magnetic flux versus current characteristic or Magnetic flux density versus field strength characteristic.

Initial Conditions**Primary leakage inductance initial current – Primary leakage inductance initial current**

0 A (default)

Value of the current through the primary leakage inductance $L1$ at time zero.

First secondary leakage inductance initial current – First secondary leakage inductance initial current

0 A (default)

Value of the current through the first secondary leakage inductance $L2$ at time zero.

Second secondary leakage inductance initial current – Second secondary leakage inductance initial current

0 A (default)

Value of the current through the second secondary leakage inductance $L3$ at time zero.

Specify magnetization inductance initial state by – Initial state specification option

Current (default) | Magnetic flux

Initial state specification.

- **Current** — Specify the initial state of the magnetization inductance Lm by the initial current.

- **Magnetic flux** — Specify the initial state of the magnetization inductance L_m by the magnetic flux.

Dependencies

To enable this parameter, on the **Magnetization** setting, set the **Magnetization inductance parameterized by** parameter to:

- Single inductance (linear)
- Single saturation point
- Magnetic flux versus current characteristic
- Magnetic flux density versus field strength characteristic

Magnetization inductance initial current — Magnetization inductance initial current

0 A (default)

Initial current value used to calculate the value of magnetic flux within the magnetization inductance L_m at time zero. This is the current passing through the magnetization inductance L_m . Total magnetization current consists of current passing through the magnetization resistance R_m and current passing through the magnetization inductance L_m .

Dependencies

To enable this parameter, set the **Specify magnetization inductance initial state by** parameter to Current

Magnetization inductance initial magnetic flux — Magnetization inductance initial magnetic flux

0 Wb (default)

Value of the magnetic flux in the magnetization inductance L_m at time zero.

Dependencies

To enable this parameter, set the **Specify magnetization inductance initial state by** parameter to Magnetic flux

Magnetization inductance initial magnetic flux density — Magnetization inductance initial magnetic flux density

0 T (default)

Value of magnetic flux density at time zero.

Dependencies

To enable this parameter, on the **Magnetization** setting, set the **Magnetization inductance parameterized by** parameter to Magnetic flux density versus field strength characteristic with hysteresis

Magnetization inductance initial field strength — Magnetization inductance initial field strength

0 A/m (default)

Value of magnetic field strength at time zero.

Dependencies

To enable this parameter, on the **Magnetization** setting, set the **Magnetization inductance parameterized by** parameter to Magnetic flux density versus field strength characteristic with hysteresis

Parasitics

Primary leakage inductance parasitic parallel conductance – Winding 1 leakage inductance parasitic parallel conductance

1e-9 1/0hm (default) | nonnegative scalar

Small parasitic effects in parallel to the primary leakage inductance $L1$. A small parallel conductance may be required for the simulation of some circuit topologies.

First secondary leakage inductance parasitic parallel conductance – Winding 2 leakage inductance parasitic parallel conductance

1e-9 1/0hm (default) | nonnegative scalar

Small parasitic effects in parallel to the first secondary leakage inductance $L2$. A small parallel conductance may be required for the simulation of some circuit topologies.

Second secondary leakage inductance parasitic parallel conductance – Winding 3 leakage inductance parasitic parallel conductance

1e-9 1/0hm (default) | nonnegative scalar

Small parasitic effects in parallel to the second secondary leakage inductance $L3$. A small parallel conductance may be required for the simulation of some circuit topologies.

Extended Capabilities

C/C++ Code Generation

Generate C and C++ code using Simulink® Coder™.

See Also

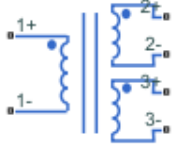
Nonlinear Transformer

Introduced in R2019b

Three-Winding Mutual Inductor

Three coupled inductors

Library: Simscape / Electrical / Passive / Transformers



Description

The Three-Winding Mutual Inductor block represents a set of three coupled inductors or windings. The voltage across the three windings is

$$V_1 = L_1 \frac{dI_1}{dt} + M_{12} \frac{dI_2}{dt} + M_{13} \frac{dI_3}{dt}$$

$$V_2 = M_{12} \frac{dI_1}{dt} + L_2 \frac{dI_2}{dt} + M_{23} \frac{dI_3}{dt}$$

$$V_3 = M_{13} \frac{dI_1}{dt} + M_{23} \frac{dI_2}{dt} + L_3 \frac{dI_3}{dt}$$

where:

- V_i is voltage across the i th winding.
- I_i is current through the i th winding.
- L_i is self inductance of the i th winding.
- M_{ij} is mutual inductance of the i th and j th windings, $M_{ij} = K_{ij}\sqrt{L_i L_j}$.

In the preceding equations, currents are positive when flowing into the positive node of their respective inductor terminals.

When you run a simulation that includes this block, the software checks the specified parameter values to ensure that the resulting device is passive. If it is not, the software issues an error.

Ports

Conserving

1+ — First inductor positive voltage

electrical

Electrical conserving port associated with the positive voltage of the first mutual inductor.

1- — First inductor negative voltage

electrical

Electrical conserving port associated with the negative voltage of the first mutual inductor.

2+ — Second inductor positive voltage

electrical

Electrical conserving port associated with the positive voltage of the second mutual inductor.

2- — Second inductor negative voltage

electrical

Electrical conserving port associated with the negative voltage of the second mutual inductor.

3+ — Third inductor positive voltage

electrical

Electrical conserving port associated with the positive voltage of the third mutual inductor.

3- — Third inductor negative voltage

electrical

Electrical conserving port associated with the negative voltage of the third mutual inductor.

Parameters**Inductance L1 — First winding self inductance**

0.001 H (default)

Self inductance of the first winding.

Inductance L2 — Second winding self inductance

0.001 H (default)

Self inductance of the second winding.

Inductance L3 — Third winding self inductance

0.001 H (default)

Self inductance of the third winding.

Coefficient of coupling, K12 — Coefficient of coupling between the first and second windings

0.9 (default)

Coefficient that defines the mutual inductance between the first and second windings. The absolute value must be between 0 and 1, exclusive.

Coefficient of coupling, K13 — Coefficient of coupling between the first and third windings

0.9 (default)

Coefficient that defines the mutual inductance between the first and third windings. The absolute value must be between 0 and 1, exclusive.

Coefficient of coupling, K23 — Coefficient of coupling between the second and third windings

0.9 (default)

Coefficient that defines the mutual inductance between the second and third windings. The absolute value must be between 0 and 1, exclusive.

Specify initial condition? — Initial condition option

No (default) | Yes

Select one of the following options for specifying an initial condition:

- No — Do not specify an initial condition for the model. This is the default option.
- Yes — Specify the initial inductor currents.

Initial current port 1, IC1 — First winding initial current

0 A (default)

The current flowing through the first winding at the start of the simulation.

Dependencies

This parameter is visible only when you select Yes for the **Specify initial condition** parameter.

Initial current port 2, IC2 — Second winding initial current

0 A (default)

The current flowing through the second winding at the start of the simulation.

Dependencies

This parameter is visible only when you select Yes for the **Specify initial condition** parameter.

Initial current port 3, IC3 — Third winding initial current

0 A (default)

The current flowing through the third winding at the start of the simulation.

Dependencies

This parameter is visible only when you select Yes for the **Specify initial condition** parameter.

Extended Capabilities**C/C++ Code Generation**

Generate C and C++ code using Simulink® Coder™.

See Also

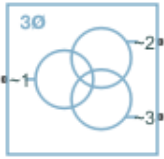
Inductor | Mutual Inductor | Three-Winding Mutual Inductor | Variable Inductor

Introduced in R2008a

Three-Winding Transformer (Three-Phase)

Three-phase linear nonideal wye- and delta-configurable three-winding transformer with saturation capability

Library: Simscape / Electrical / Passive / Transformers



Description

The Three-Winding Transformer (Three-Phase) block represents a linear nonideal three-phase three-winding transformer that transfers electrical energy between two or more circuits through electromagnetic induction. The block includes linear winding leakage and linear core magnetization effects. You can parameterize the block impedance using per-unit values. The primary, first secondary, and second secondary winding types, delta-wye phase angle, and core types are configurable.

The configuration options for the primary and secondary winding types are:

- Wye with floating neutral — Star or T configuration with Floating Neutral (Three-Phase)
- Wye with neutral port — Star or T configuration with Neutral Port (Three-Phase)
- Wye with grounded neutral — Star or T configuration with Grounded Neutral (Three-Phase)
- Delta 1 o'clock — Mesh configuration with a lagging 30 degree phase shift relative to the voltage of a connected wye configuration
- Delta 11 o'clock — Mesh configuration with leading 30 degree phase shift relative to the voltage of a connected wye configuration

Options for the core type are:

- Three-phase five-limb
- Three-phase three-limb

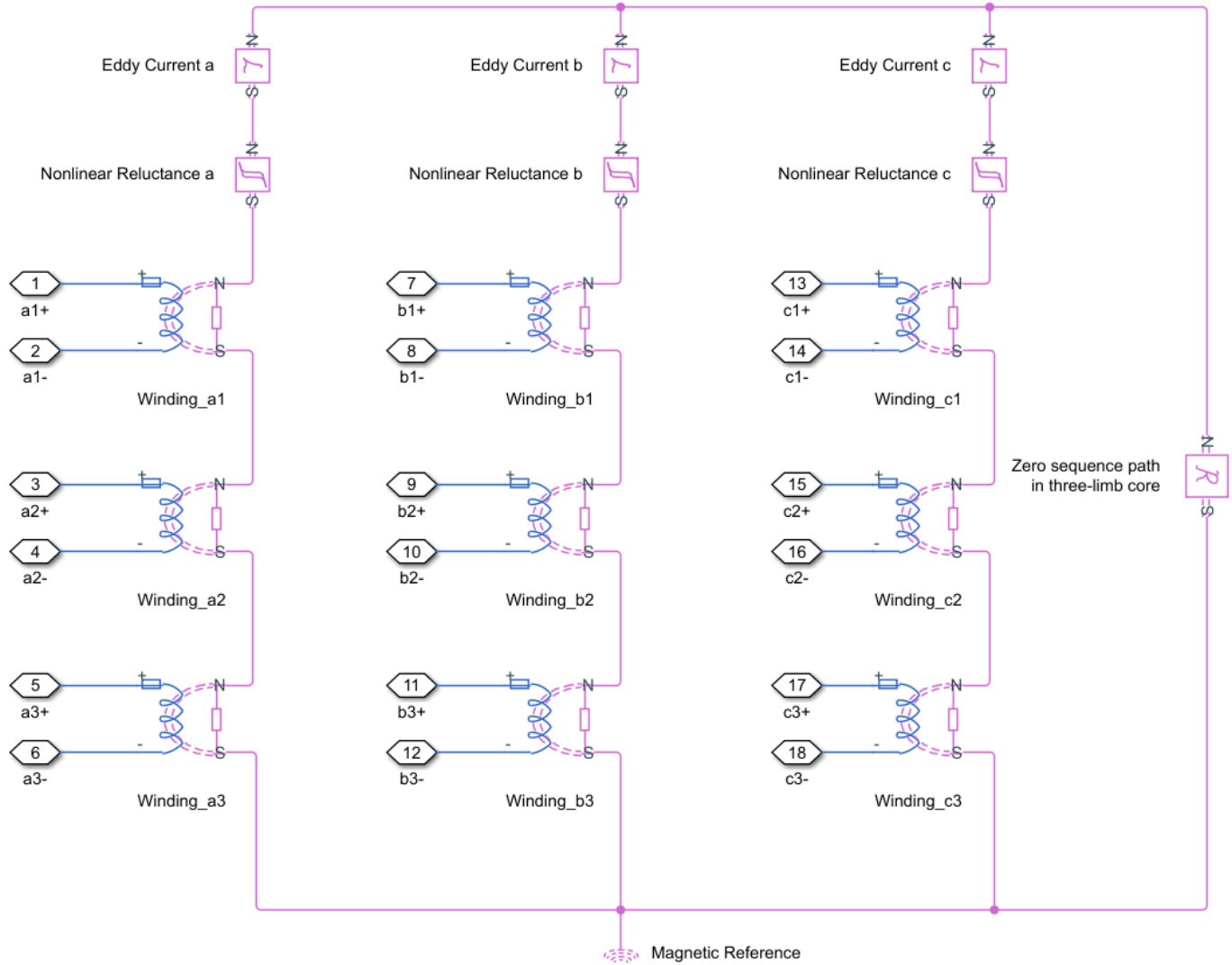
Although a three-limbs core is typically less expensive, a five-limb core offers these advantages:

- Lower impedance for the zero-sequence component of current, that is between the line and neutral, in the case of an unbalanced load
- Greater heat dissipation

Equations

Three-Limb Core

This block is implemented in the magnetic domain using basic magnetic reluctances, windings, and eddy currents blocks.



It is important to determine the relation between the electrical domain parameters from the block mask and the magnetic domain parameters used in the model:

- n_1 is the number of the primary winding turns.
- n_2 is the number of the first secondary winding turns.
- n_3 is the number of the second secondary winding turns.
- L_m is the shunt magnetizing inductance.
- L_0 is the zero-sequence inductance.
- L_p is the primary winding leakage inductance.
- L_{s1} is the first secondary winding leakage inductance.
- L_{s2} is the second secondary winding leakage inductance.
- R_m is the shunt magnetizing resistance.
- R is the magnetizing reluctance between phases.

$$R = \frac{n_1^2}{L_m}$$

- R_0 is the zero sequence reluctance.

$$R_0 = \frac{1}{3} \frac{n_1^2}{L_0 - L_p}$$

- Rl_1 is the primary winding leakage reluctance.

$$Rl_1 = \frac{n_1^2}{L_p}$$

- Rl_2 is the first winding secondary leakage reluctance.

$$Rl_2 = \frac{n_2^2}{L_{s1}}$$

- Rl_3 is the second winding secondary leakage reluctance.

$$Rl_3 = \frac{n_3^2}{L_{s2}}$$

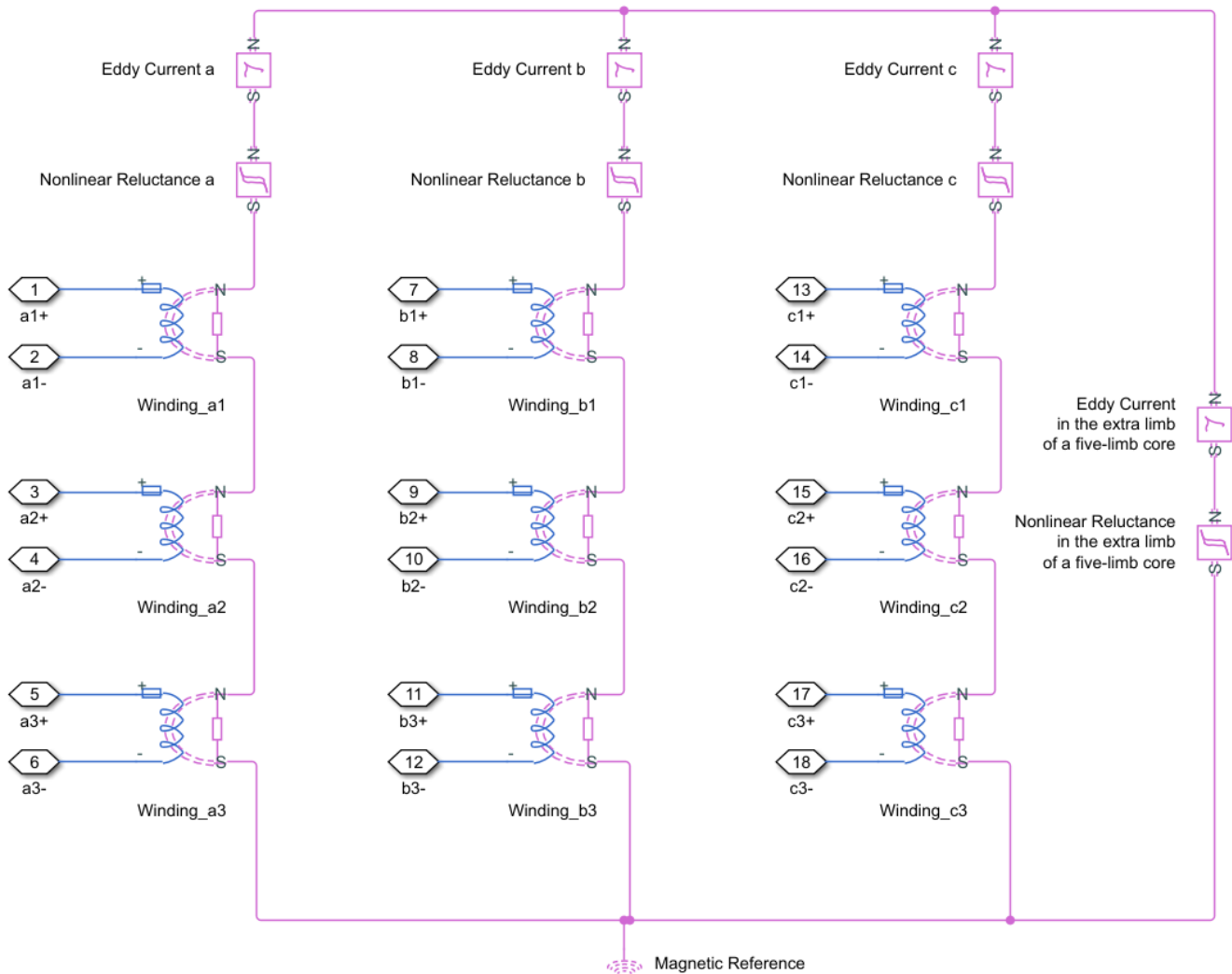
- L_{eddy} is the conductance of eddy current loop

$$L_{eddy} = \frac{n_1^2}{R_m}$$

For three-winding transformers (three-phase), the coupling between different windings in each phase is identical.

Five-Limb Core

In the case of a five-limb transformer, the extra magnetic flux paths provided by the extra limbs can be represented by zero sequence reluctances, which are originally designed for magnetic paths through the air in the three-limb transformer.



In a five-limb model, the magnetic reluctances from the phases to the extra limbs are supposed to be equal to the magnetic reluctances between phases.

$$R = R_0$$

Therefore we deduce:

$$R = R_0 = \frac{n_1^2}{L_m}$$

Display Options

You can display the transformer per-unit base values in the MATLAB command window using the block context menu. To display the values, right-click the block and select **Electrical > Display Base Values**.

Variables

Use the **Variables** settings to specify the priority and initial target values for the block variables before simulation. For more information, see “Set Priority and Initial Target for Block Variables”.

Ports

Conserving

~1 — Primary winding voltage

electrical

Expandable three-phase electrical conserving port associated with the three-phase, $[a1\ b1\ c1]$, voltage of winding 1.

n1 — Primary winding neutral point

electrical

Electrical conserving port associated with the primary winding neutral point.

Dependencies

This port is only visible when the **Main** parameter **Winding 1 connection type** is set to **Wye** with **neutral** port.

~2 — First secondary winding voltage

electrical

Expandable three-phase electrical conserving port associated with the three-phase, $[a2\ b2\ c2]$, voltage of the first secondary winding.

n2 — First secondary winding neutral point

electrical

Electrical conserving port associated with the first secondary winding neutral point.

Dependencies

This port is only visible when the **Main** parameter **Winding 2 connection type** is set to **Wye** with **neutral** port.

~3 — Second secondary winding voltage

electrical

Expandable three-phase electrical conserving port associated with the three-phase, $[a3\ b3\ c3]$, voltage of the second secondary winding.

n3 — Second secondary winding neutral point

electrical

Electrical conserving port associated with the second secondary winding neutral point.

Dependencies

This port is only visible when the **Main** parameter **Winding 3 connection type** is set to **Wye** with **neutral** port.

Parameters

Main

Rated apparent power — Apparent power at rated capacity

100e6 V*A (default) | positive scalar

Apparent power flowing through the transformer when operating at rated capacity. The value must be greater than 0.

Rated electrical frequency — Connected network electrical frequency

60 Hz (default) | positive scalar

Rated or nominal frequency of the AC network to which the transformer is connected. The value must be greater than 0.

Primary winding connection type — Primary winding configuration

Wye with floating neutral (default) | Wye with neutral port | Wye with grounded neutral | Delta 1 o'clock | Delta 11 o'clock

Primary winding type.

Primary rated voltage — RMS line voltage applied to the primary winding

4160 V (default) | positive scalar

RMS line voltage applied to the primary winding under normal operating conditions. The value must be greater than 0.

First secondary connection type — First secondary winding configuration

Wye with floating neutral (default) | Wye with neutral port | Wye with grounded neutral | Delta 1 o'clock | Delta 11 o'clock

First secondary winding type.

First secondary rated voltage — RMS line voltage applied to the first secondary winding

24e3 V (default) | positive scalar

RMS line voltage applied to the first secondary winding under normal operating conditions. The value must be greater than 0.

Second secondary connection type — Second secondary winding configuration

Wye with floating neutral (default) | Wye with neutral port | Wye with grounded neutral | Delta 1 o'clock | Delta 11 o'clock

Second secondary winding type.

Second secondary rated voltage — RMS line voltage applied to the second secondary winding

24e3 (default) | positive scalar

RMS line voltage applied to the second secondary winding under normal operating conditions. The value must be greater than 0.

Core type – Number of limbs

Three-phase three-limb (default) | Three-phase five-limb

Number of limbs that comprise the magnetic circuit.

Dependencies

Zero sequence reactance (pu), an **Impedances** parameter, is only visible when this parameter is set to Three-phase three-limb.

Impedances**Core type – Number of limbs**

Three-phase three-limb (default) | Three-phase five-limb

Number of limbs that comprise the magnetic circuit.

Dependencies

The **Zero sequence reactance (pu)**, an **Impedances** parameter, is only visible when this parameter is set to Three-phase three-limb.

Primary winding resistance (pu) – Primary winding power loss

0.01 (default) | positive scalar

Per-unit power loss in the primary winding. The value must be greater than 0.

Primary leakage reactance (pu) – Primary winding magnetic flux loss

0.001 (default) | positive scalar

Per-unit magnetic flux loss in the primary winding. The value must be greater than 0.

First secondary winding resistance (pu) – First secondary winding power loss

0.01 (default) | positive scalar

Per-unit power loss in the first secondary winding. The value must be greater than 0.

First secondary leakage reactance (pu) – First secondary winding magnetic flux loss

0.001 (default) | positive scalar

Per-unit magnetic flux loss in the first secondary winding. The value must be greater than 0.

Second secondary winding resistance (pu) – Second secondary winding power loss

0.01 (default) | positive scalar

Per-unit power loss in the second secondary winding. The value must be greater than 0.

Second secondary leakage reactance (pu) – Second secondary winding magnetic flux loss

0.001 (default) | positive scalar

Per-unit magnetic flux loss in the second secondary winding. The value must be greater than 0.

Shunt magnetizing resistance (pu) – Transformer core magnetic losses

500 (default) | positive scalar

Per-unit magnetic losses in the transformer core. The value must be greater than 0.

Magnetic saturation representation — Representation of the magnetic saturation

None (default) | Lookup table (phi versus i)

Choose if and how you want to represent the magnetic saturation.

Current vector (pu), i — Per unit vector of currents

[0, .002, 1, 2] (default)

Per unit vector of currents. The first value must be 0. This parameter must be strictly ascending.

Dependencies

This parameter is visible only when you set the **Magnetic saturation representation** parameter to Lookup table (phi versus i).

Magnetic flux vector (pu), phi — Per unit vector of magnetic flux

[0, 1.2, 1.5, 1.51] (default)

Per unit vector of magnetic flux. The first value must be 0. This parameter must be strictly ascending.

Dependencies

This parameter is visible only when you set the **Magnetic saturation representation** parameter to Lookup table (phi versus i).

Shunt magnetizing reactance (pu) — Transformer core magnetic effects

500 (default) | positive scalar

Per-unit magnetic effects of the transformer core when operating in its linear region. The value must be greater than 0.

Dependencies

This parameter is visible only when you set the **Magnetic saturation representation** parameter to None.

Zero sequence reactance (pu) — Zero sequence reactance

0.5 (default) | positive scalar

Per-unit zero sequence reactance. The value must be greater than or equal to the primary winding magnetic flux loss.

Dependencies

This parameter is only visible when **Core type**, a **Main** parameter, is set to Three-phase three-limb.

Extended Capabilities**C/C++ Code Generation**

Generate C and C++ code using Simulink® Coder™.

See Also

Earthing Transformer | Ideal Transformer | Nonlinear Transformer | Tap-Changing Transformer | Two-Winding Transformer (Three-Phase) | Zigzag-Delta-Wye Transformer

Introduced in R2019a

Thyristor

Thyristor using NPN and PNP transistors

Library: Simscape / Electrical / Semiconductors & Converters



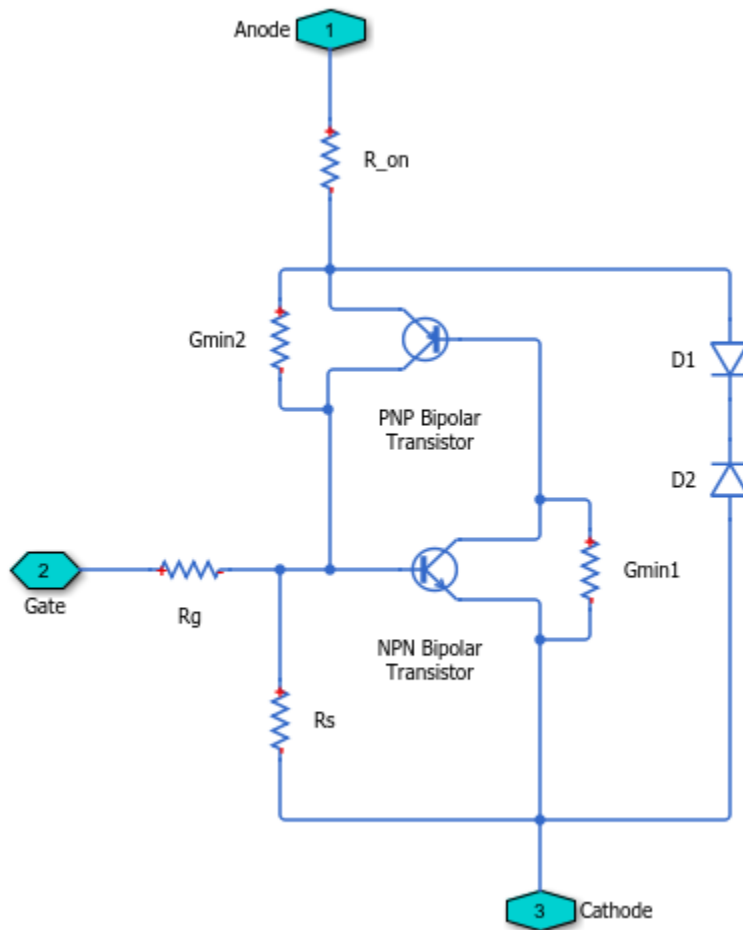
Description

The Thyristor block provides two ways of modeling a thyristor:

- As an equivalent circuit based on NPN and PNP bipolar transistors
- By a lookup table approximation to the on-state I-V (current-voltage) curve

Representation by Equivalent Circuit

The equivalent circuit contains a pair of NPN and PNP bipolar transistors, as shown in the following illustration.



The P-N-P-N structure of a thyristor is matched by the P-N-P and N-P-N structures of the bipolar transistors, the base of each device being connected to the collector of the other device. To ensure that this circuit behaves like a thyristor, it is necessary to pick suitable parameter values of the NPN and PNP devices, plus external resistors. For example, for the circuit to latch into the on-state, once triggered by a suitable gate current, the total gain of the two transistors must be greater than one. This model structure replicates the behavior of a thyristor in typical application circuits, while at the same time presenting a minimum number of equations to the solver, to improve simulation speed.

Note It is extremely important that you parameterize the thyristor component correctly before using it in your model. To help you do this, there are two test harnesses in the Simscape Electrical examples, Thyristor Static Behavior Validation and Thyristor Dynamic Behavior Validation. Follow the help text for these two examples, plus a datasheet for your device, to re-parameterize the thyristor component so that it replicates the required behavior. You can then copy the parameterized component into your model. Take care to model the gate drive circuitry correctly, including circuit series resistance. Connecting a controlled voltage source directly to the thyristor gate gives nonphysical results because it clamps the gate to the cathode voltage when the gate demand is zero.

The model captures the following thyristor behaviors:

- Off-state currents, I_{DRM} and I_{RRM} . These are typically quoted for the maximum off-state voltages V_{DRM} and V_{RRM} . It is assumed, as is the case for most thyristors, that $I_{DRM} = I_{RRM}$ and $V_{DRM} = V_{RRM}$.
- The gate trigger voltage is equal to the **Corresponding gate voltage, V_GT** parameter value when the gate current is equal to the **Gate trigger current, I_GT** parameter value.
- The thyristor latches on when the gate current is equal to the **Gate trigger current, I_GT**. The thyristor does not latch on until the gate current reaches this value. To ensure this is the case, you must set the **Internal shunt resistor, Rs** parameter correctly. If the resistance is too high, then the gate triggers before the gate current reaches i_{GT} . If the resistance is too small, then the gate does not trigger.

You can determine the value of the internal shunt resistor R_s by running the simulation. To see how this can be done, refer to the Thyristor Static Behavior Validation example. Alternatively, if you are using the thyristor in a circuit where there is an external resistor R_{GK} connected from gate to cathode, then the effect of R_s is usually very small, and it can be set to `inf`.

- With the thyristor in the on-state, if the gate current is removed, the thyristor stays in the on-state, provided that the load current is higher than the holding current. You do not specify the holding current directly because its value is primarily determined by other block parameters.

However, the holding current can be influenced by the **Product of NPN and PNP forward current gains** parameter on the **Advanced** tab. Reducing the gain increases the holding current.

- The on-state voltage is equal to the **On-state voltage, V_T** parameter value when the load current is equal to the **On-state current, I_T** parameter value. This is ensured by the R_{on} resistance value, which takes into account the voltage drop seen across the PNP and NPN devices.
- Triggering by rate of rise of off-state voltage. A rapid change in anode-cathode voltage induces a current in the base-collector capacitance terms. If this current is large enough, it triggers the thyristor into the on-state. The thyristor initialization routine calculates a suitable value for the base-collector capacitance, so that when the rate of change of voltage is equal to the **Critical rate of rise of off-state voltage, dV/dt** parameter value, the thyristor triggers on. This calculation is based on the approximation that the required current is v_{GT} / R_{GK} where R_{GK} is the gate-cathode resistance value used when quoting the critical dV/dt value.
- A nonzero gate-controlled turn-on time, primarily influenced by the **NPN device forward transit time, TF**. You either specify this parameter directly, or calculate an approximate value for TF from the turn-on time.
- A nonzero commuted turn-off time, primarily influenced by the **PNP device forward transit time, TF**. You can either specify this parameter directly, or set it to be equal to the forward transit time for the NPN transistor.

Resistors G_{min1} and G_{min2} improve numerical robustness at large forward and reverse voltages. Their values influence the off-state currents by no more than 1% at the maximum off-state forward and reverse voltages.

Note Because this block implementation includes a charge model, you must model the impedance of the circuit driving the gate to obtain representative turn-on and turn-off dynamics. Therefore, if you are simplifying the gate drive circuit by representing it as a controlled voltage source, you must include a suitable series resistor between the voltage source and the gate.

Representation by Lookup Table

If using the lookup table representation, you provide tabulated values for anode-cathode current as a function of anode-cathode voltage when in the on state. The main advantages of using this option are

simulation speed and ease of parameterization. To further simplify the underlying model, this representation does not model:

- Device triggering due to rate of rise of off-state voltage
- Commuted turn-off time

The turn-on delay is represented by an input gate-cathode capacitor, the value of which is calculated so that the delay between gate voltage rising and the device starting to turn on is equal to the value specified by the **Turn-on delay time** parameter. The turn-on rise time for the load current is implemented by ramping nonlinearly between zero and the current determined by on-state current-voltage profile over a time period specified by the value of the **Turn-on rise time** parameter. Note that the resulting turn-on current profile is an approximation to an actual device.

Thermal Port

The block has an optional thermal port, hidden by default. To expose the thermal port, right-click the block in your model, and then from the context menu select **Simscape > Block choices > Show thermal port**. This action displays the thermal port **H** on the block icon, and exposes the **Thermal Port** parameters.

Use the thermal port to simulate the effects of generated heat and device temperature. For more information on using thermal ports and on the **Thermal Port** parameters, see “Simulating Thermal Effects in Semiconductors”.

Assumptions and Limitations

- This block does not model temperature-dependent effects. This block is simulated at the temperature specified by the **Measurement temperature** parameter value. All parameters must be quoted for this temperature.
- If you use the equivalent circuit representation:
 - In sensitive gate circuits (that is, where there is no external gate-cathode resistor R_{GK}), you must set the value of the **Internal shunt resistor, R_s** parameter to ensure correct triggering. If the internal shunt resistance is too high, then the thyristor triggers for currents less than i_{GT} . If the internal shunt resistance is too low, the thyristor does not trigger for an input current of i_{GT} . For details on using simulation to determine the acceptable internal shunt resistance value, see the Thyristor Static Behavior Validation example.
 - Triggering by exceeding the breakover voltage is not modeled.
 - Numerically the thyristor can be demanding to simulate, given the very small gate currents in comparison to the load current, and also the very steep current gradients during switching. However, for most typical thyristor-based circuits, you can use the default simulation parameters. In some cases you may need to tighten the **Absolute Tolerance** and **Relative Tolerance** parameters on the **Solver** tab of the Configuration Parameters dialog box, to ensure convergence. In such cases, changing the default value of **Absolute Tolerance** from auto to $1e-4$ or $1e-5$ is usually sufficient, because it prevents adaptive changing of this parameter during simulation.
 - The leakage currents are approximated by the diodes D1 and D2, as shown in the equivalent circuit. This approach assumes that the leakage via the two transistors is small in comparison. This assumption is not valid for values of v_{GT} that are significantly smaller than the typical forward voltage drop of 0.6 V.

- If you use the lookup table representation:
 - Triggering by exceeding the breakover voltage or by rate of change of off-state voltage is not modeled.
 - Commutated turn-off time is not modeled. Check that your circuit does not violate the stated commutated turn-off time for the thyristor.
 - When you specify a turn-on rise time, the resulting current-time profile is an approximation.

Ports

Conserving

G — Gate port

electrical

Electrical conserving port associated with the gate.

A — Anode port

electrical

Electrical conserving port associated with the anode.

K — Cathode port

electrical

Electrical conserving port associated with the cathode.

Parameters

Main

I-V characteristics defined by — Thyristor representation

Fundamental nonlinear equations (default) | Lookup table

Represent the thyristor either by using an equivalent circuit based on NPN and PNP bipolar transistors or use a lookup table approximation to the on-state I-V curve.

On-state voltage, V_T — On-state Anode-Cathode static voltage

1.2 V (default)

The anode-cathode static voltage drop when in the on-state, and the current flowing is equal to the on-state current I_T .

Dependencies

This parameter is visible only when you select `Fundamental nonlinear equations` for the **I-V characteristics defined by** parameter.

On-state current, I_T — On-state static load current

1 A (default)

Static load (or equivalently anode) current that flows when the anode-cathode voltage is equal to the on-state voltage V_T .

Dependencies

This parameter is visible only when you select Fundamental nonlinear equations for the **I-V characteristics defined by** parameter.

Vector of on-state voltages, V_T — Vector of on-state voltages

[.75, 1, 1.25, 1.5, 1.75, 2, 2.25] V (default)

The vector of on-state voltages, to be used for table lookup. The vector values must be strictly increasing, and the first value must be greater than zero. The values can be nonuniformly spaced.

Dependencies

This parameter is visible only when you select Lookup table for the **I-V characteristics defined by** parameter.

Vector of corresponding currents, I_T — Vector of corresponding currents

[.015, .22, .75, 1.4, 2, 2.75, 3.45] A (default)

The vector of currents corresponding to the on-state voltages vector values, to be used for 1D table lookup. The two vectors must be of the same size.

Dependencies

This parameter is visible only when you select Lookup table for the **I-V characteristics defined by** parameter.

Off-state current, I_DRM — Off-state anode current

0.01 mA (default)

The off-state anode current I_{DRM} that flows when the anode-cathode voltage is equal to the off-state voltage V_{DRM} .

Corresponding off-state voltage, V_DRM — Off-state anode-cathode voltage

400 V (default)

The anode-cathode voltage V_{DRM} applied with the thyristor in the off-state when quoting the off-state current I_{DRM} .

Holding current — Holding current

1 mA (default)

This is the minimum current for which the thyristor remains in the on-state. For the Lookup table option, the latching current is assumed equal to the holding current, so this is also the maximum current for which the thyristor remains in the off-state.

Dependencies

This parameter is visible only when you select Lookup table for the **I-V characteristics defined by** parameter.

Measurement temperature — Device simulation temperature

25 degC (default)

Device simulation temperature. You must specify all block parameter values for this temperature.

Dependencies

This parameter is visible only when you select Fundamental nonlinear equations for the **I-V characteristics defined by** parameter.

Gate Triggering**Gate trigger current, I_GT – Critical gate current**

3 μ A (default)

Critical gate current i_{GT} required to turn the transistor on, resulting in a gate voltage equal to the corresponding gate voltage v_{GT} . You must set the value of the **Internal shunt resistor, Rs** parameter on the **Advanced** tab to ensure that the gate triggers at i_{GT} , and not for currents less than i_{GT} .

Corresponding gate voltage, V_GT – Gate-cathode voltage

0.6 V (default)

Gate-cathode voltage v_{GT} when the gate current is equal to the gate trigger current i_{GT} .

Test voltage, V_D – Test supply voltage

12 V (default)

Supply voltage used when quoting values for v_{GT} and i_{GT} .

Dependencies

This parameter is visible only when you select Fundamental nonlinear equations for the **I-V characteristics defined by** parameter.

Test load resistor – Test load resistor

120 Ohm (default)

Load resistor used when quoting values for v_{GT} and i_{GT} .

Dependencies

This parameter is visible only when you select Fundamental nonlinear equations for the **I-V characteristics defined by** parameter.

dV/dt Triggering**Critical rate of rise of off-state voltage, dV/dt – Critical rate of rise of off-state voltage**

150 V/ μ s (default)

If the anode-cathode voltage increases faster than this rate, the thyristor will experience a parasitic turn-on due to capacitive effects.

Dependencies

This parameter is visible only when you select Fundamental nonlinear equations for the **I-V characteristics defined by** parameter.

Test gate-cathode resistor, R_GK – Test gate-cathode resistor

1000 Ohm (default)

Gate-cathode resistor used when quoting the critical rate of rise off off-state voltage.

Dependencies

This parameter is visible only when you select **Fundamental nonlinear equations for the I-V characteristics defined by** parameter.

Time Constants**NPN device forward transit time parameterization – NPN device forward transit time parameterization**

Derive approximate value from gate-controlled turn-on time (default) | Specify directly

Select one of the following options:

- **Derive approximate value from gate-controlled turn-on time** — The block calculates the NPN device forward transit time based on the values for the gate-controlled turn-on time and corresponding gate current that you specify.
- **Specify directly** — Provide the value directly by using the **NPN device forward transit time** parameter.

Dependencies

This parameter is visible only when you select **Fundamental nonlinear equations for the I-V characteristics defined by** parameter.

Gate-controlled turn-on time – Gate-controlled turn-on time

2 μ s (default)

Time for the gate to turn from the off to the on state when a gate current is applied.

Corresponding gate current – Test gate current

10 mA (default)

The gate current used when quoting the gate-controlled turn-on time. The gate current and turn-on time are used to calculate an approximate value for the NPN device forward transit time on the assumption that all of the input charge is used to raise the gate voltage to the corresponding gate voltage v_{GT} . The default value is 10 mA.

Dependencies

This parameter is visible only when you select **Fundamental nonlinear equations for the I-V characteristics defined by** parameter and **Derive approximate value from gate-controlled turn-on time for NPN device forward transit time parameterization**.

NPN device forward transit time – Mean forward transit time

0.3 μ s (default)

Mean time for the minority carriers to cross the base region from the emitter to the collector of the NPN device [1].

Dependencies

This parameter is visible only when you select **Fundamental nonlinear equations for the I-V characteristics defined by** parameter and **Specify directly for NPN device forward transit time parameterization**.

PNP device forward transit time parameterization — PNP device forward transit time parameterization

Set equal to NPN device forward transit time (default) | Specify directly

Select one of the following options:

- Set equal to NPN device forward transit time — The block uses the NPN device forward transit time value.
- Specify directly — Provide the value directly by using the **PNP device forward transit time** parameter.

Dependencies

This parameter is visible only when you select Fundamental nonlinear equations for the **I-V characteristics defined by** parameter.

PNP device forward transit time — Mean forward transit time

0.3 us (default)

Mean time for the minority carriers to cross the base region from the emitter to the collector of the PNP device [1].

Dependencies

This parameter is visible only when you select Fundamental nonlinear equations for the **I-V characteristics defined by** parameter and Specify directly for **PNP device forward transit time parameterization**.

Turn-on delay time — Time delay

0 s (default)

Time delay before the device starts to turn on following a step in current on the gate from zero to the value specified by the **Gate current for turn-on delay time** parameter.

Dependencies

This parameter is visible only when you select Lookup table for the **I-V characteristics defined by**.

Gate current for turn-on delay time — Gate current for turn-on delay time

1 mA (default)

The gate current used when measuring the turn-on delay time.

Dependencies

This parameter is visible only when you select Lookup table for the **I-V characteristics defined by**.

Turn-on rise time — Turn-on rise time

0 s (default)

Time it takes for the thyristor to turn on fully following the turn-on delay event.

Dependencies

This parameter is visible only when you select `Lookup` table for the **I-V characteristics defined by**.

Advanced**Internal shunt resistor, R_s — Gate-Cathode shunt resistance**

87 kOhm (default)

Gate-cathode shunt resistance. It is important to set this parameter value to ensure that the gate triggers at i_{GT} , and not for currents less than i_{GT} . For details, see the Thyristor Static Behavior Validation example. If you are using the thyristor in a circuit where there is an external gate-cathode resistor R_{GK} , then usually the effect of R_s is small, and it can be set to `inf`.

Dependencies

This parameter is visible only when you select `Fundamental nonlinear` equations for the **I-V characteristics defined by**.

Internal series gate resistor, R_g — Resistance associated with gate connection

10 Ohm (default)

Resistance associated with the gate connection. A typical value is of the order of a few ohms, and its impact on static and dynamic characteristics is small. Therefore, its precise value is not important, but its presence helps avoid numerical simulation issues if the gate is driven directly by a voltage source. You can specify any positive value.

Product of NPN and PNP forward current gains — Product of NPN and PNP forward current gains

10 (default)

This is the product of the NPN forward gain BF_{NPN} and the PNP forward gain BF_{PNP} . The value must be greater than one for latching to occur. The smaller the value, the larger the latching current becomes. However, latching current is primarily set by other block parameters, and the total gain has only a small effect.

Dependencies

This parameter is visible only when you select `Fundamental nonlinear` equations for the **I-V characteristics defined by**.

Compatibility Considerations**Thermal network simlog paths**

Behavior changed in R2019b

From R2019b forward, it is possible to model the thermal network of this block either internally or externally.

As a result, the simlog paths corresponding to the thermal network have changed. If you have a script that programmatically access the simlog, you have to manually update it to reflect these changes.

References

[1] G. Massobrio and P. Antognetti. *Semiconductor Device Modeling with SPICE*. 2nd Edition, McGraw-Hill, 1993.

Extended Capabilities

C/C++ Code Generation

Generate C and C++ code using Simulink® Coder™.

See Also

NPN Bipolar Transistor | PNP Bipolar Transistor | Thyristor (Piecewise Linear)

Introduced in R2010b

Thyristor (Piecewise Linear)

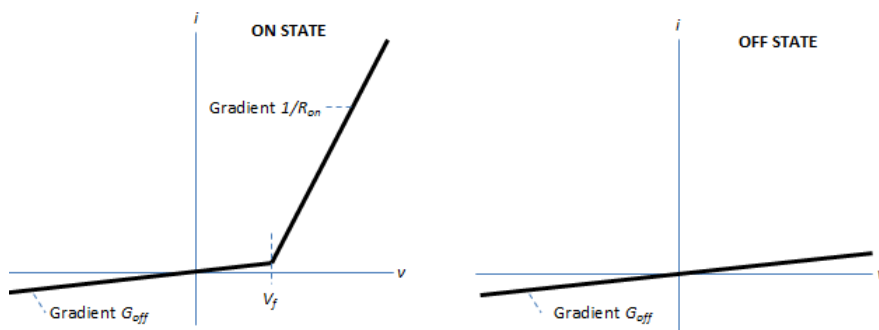
Thyristor

Library: Simscape / Electrical / Semiconductors & Converters



Description

The Thyristor (Piecewise Linear) block models a thyristor. The I-V characteristic for a thyristor is such that the thyristor turns on if the gate-cathode voltage exceeds the specified gate trigger voltage. The device turns off if the load current falls below the specified holding-current value.



To define the I-V characteristic of the thyristor, set the **On-state behaviour and switching losses** parameter to either Specify constant values or Tabulate with temperature and current. The Tabulate with temperature and current option is available only if you expose the thermal port of the block.

In the on state, the anode-cathode path behaves like a linear diode with forward-voltage drop, V_f , and on-resistance, R_{on} . However, if you expose the thermal port of the block and parameterize the device using tabulated I-V data, the tabulated resistance is a function of the temperature and current.

In the off state, the anode-cathode path behaves like a linear resistor with a low off-state conductance, G_{off} .

The defining Simscape equations for the block are:

```

if (v > Vf)&&((G>Vgt) || (i>Ih))
    i == (v - Vf*(1-Ron*Goff))/Ron;
else
    i == v*Goff;
end

```

where:

- v is the anode-cathode voltage.

- V_f is the forward voltage.
- G is the gate voltage.
- V_{gt} is the gate trigger voltage.
- i is the anode-cathode current.
- I_h is the holding current.
- R_{on} is the on-state resistance.
- G_{off} is the off-state conductance.

Using the Integral Diode tab of the block dialog box, you can include an integral cathode-anode diode. An integral diode protects the semiconductor device by providing a conduction path for reverse current. An inductive load can produce a high reverse-voltage spike when the semiconductor device suddenly switches off the voltage supply to the load.

The table shows you how to set the **Integral protection diode** parameter based on your goals.

Goal	Value to Select	Block Behavior
Prioritize simulation speed.	Protection diode with no dynamics	The block includes an integral copy of the Diode block. To parameterize the internal Diode block, use the Protection parameters.
Precisely specify reverse-mode charge dynamics.	Protection diode with charge dynamics	The block includes an integral copy of the dynamic model of the Diode block. To parameterize the internal Diode block, use the Protection parameters.

Modeling Variants

The block provides four modeling variants. To select the desired variant, right-click the block in your model. From the context menu, select **Simscape > Block choices**, and then one of these variants:

- **PS Control Port** — Contains a physical signal port that is associated with the gate terminal. This variant is the default.
- **Electrical Control Port** — Contains an electrical conserving port that is associated with the gate terminal.
- **PS Control Port | Thermal Port** — Contains a thermal port and a physical signal port that is associated with the gate terminal.
- **Electrical Control Port | Thermal Port** — Contains a thermal port and an electrical conserving port that is associated with the gate terminal.

The variants of this block without the thermal port do not simulate heat generation in the device.

The variants with the thermal port allow you to model the heat that switching events and conduction losses generate. The thermal port is hidden by default. To enable the thermal port, select a thermal block variant.

Thermal Losses

Switching losses are one of the main sources of thermal loss in semiconductors. During each on switching transition, the thyristor parasitics store and then dissipate energy.

Switching losses depend on the off-state voltage and the on-state current. When the switching device is turned on, the power losses depend on the initial off-state voltage across the device and the final on-state current once the device is fully in its on state. When the switching device is turned off, the power loss is defined by the **Natural commutation rectification loss** parameter value. This is the rectification loss applied at the point that the device switches off due to the current falling below the holding current. This loss is a fixed value and it is not scaled by the off-state voltage or the on-state current.

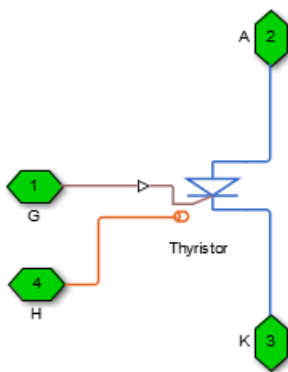
In this block, switching losses are applied to the attached thermal network using a first-order time constant, resulting in smooth change in temperature of the junction thermal mass. The **Switch-on loss, $E_{on}(T_j, I_{ak})$** parameter value sets the sizes of the switching losses and they are either fixed or dependent on junction temperature and drain-source current. In both cases, losses are scaled by the off-state voltage prior to the latest device turn-on event.

Note As the final current after a switching event is not known during the simulation, the block records the on-state current at the point that the gate-cathode voltage falls below the threshold voltage. Similarly, the block records the off-state voltage at the point that the device is commanded on. For this reason, the simlog does not report the switching losses to the thermal network until one switching cycle later.

For all ideal switching devices, the switching losses are reported as `lastTurnOffLoss` and `lastTurnOnLoss` (for the thyristor, this is the **Natural commutation rectification loss**) and plotted as a pulse with amplitude equal to the energy loss. If you use a script to sum the total losses over a defined simulation period, you must sum the number of pulses scaled off the reported switching loss.

Ports

The figure shows the block port names.



Conserving

G – Gate terminal

electrical

Port associated with the gate terminal. You can set the port to either a physical signal or electrical port.

A – Anode terminal

electrical

Electrical conserving port associated with the anode terminal.

K – Cathode terminal

electrical

Electrical conserving port associated with the cathode terminal.

H – Thermal port

thermal

Thermal conserving port. The thermal port is optional and is hidden by default. To enable this port, select a variant that includes a thermal port.

Parameters

Main

This table shows how the visibility of **Main** parameters depends on how you configure the **Block choice** and **On-state behavior and switching losses** parameters. To learn how to read this table, see “Parameter Dependencies” on page A-2.

Main Parameter Dependencies

Parameters and Options		
Block choice		
<i>PS control port</i> or <i>Electrical control port</i>	<i>PS control port Thermal port</i> or <i>Electrical control port Thermal port</i>	
Forward voltage, Vf	Gate trigger voltage, Vgt	
On-state resistance	Holding current	
Off-state conductance	On-state behaviour and switching losses	
	<i>Specify constant values</i>	<i>Tabulate with temperature and current</i>
Gate trigger voltage, Vgt	Forward voltage, Vf	On-state voltage, Vak(Tj,Iak)
Holding current	On-state resistance	Off-state conductance
	Off-state conductance	Switch-on loss, Eon(Tj,Iak)
	Switch-on loss	Temperature vector, Tj
	Natural commutation rectification loss	Anode-cathode current vector, Iak
	Off-state voltage for switching loss data	Natural commutation rectification loss
	On-state current for switching loss data	Off-state voltage for switching loss data
	Energy dissipation time constant	Energy dissipation time constant

On-state behaviour and switching losses – On-state current for switching loss data

Specify constant values (default) | Tabulate with temperature and current

Select a parameterization method. The option that you select determines which other parameters are enabled. Options are:

- *Specify constant values* — Use scalar values to specify the output current, switch-on loss, switch-off loss, and on-state voltage data. This is the default parameterization method.

- Tabulate with temperature and current — Use vectors to specify the output current, switch-on loss, switch-off loss, and temperature data.

Dependencies

See the Main Parameter Dependencies table.

Forward voltage, Vf — Forward voltage

0.8 V (default)

Forward voltage at which the device turns on.

Dependencies

See the Main Parameter Dependencies table.

On-state resistance — On-state resistance

0.001 Ohm (default)

Anode-cathode resistance when the device is on.

Dependencies

See the Main Parameter Dependencies table.

Off-state conductance — Off-state conductance

1e-5 1/Ohm (default)

Anode-cathode conductance when the device is off. The value must be less than 1/R, where R is the value of **On-state resistance**.

Dependencies

See the Main Parameter Dependencies table.

Gate trigger voltage, Vgt — Gate trigger voltage

6 V (default)

Gate-cathode voltage threshold. The device turns on when the gate-cathode voltage is above this value.

Dependencies

See the Main Parameter Dependencies table.

Holding current — Holding current

1 A (default)

Current threshold. The device stays on when the current is above this value, even when the gate-cathode voltage falls below the gate trigger voltage.

Dependencies

See the Main Parameter Dependencies table.

Switch-on loss — Switch-on loss

22.86e-3 J (default)

Energy dissipated during a single switch-on event. This parameter is defined as a function of temperature and final on-state output current. Specify this parameter using a scalar quantity.

Dependencies

See the Main Parameter Dependencies table.

Natural commutation rectification loss — Natural commutation rectification loss

10e-3 J (default)

Rectification loss applied at the point that the block switches off when the current falls below the **Holding current**. Specify this parameter using a scalar quantity.

Dependencies

See the Main Parameter Dependencies table.

Off-state voltage for switching loss data — Off-state voltage for losses data

300 V (default)

The output voltage of the device during the off state. This is the blocking voltage at which the switch-on loss and switch-off loss data are defined.

Dependencies

See the Main Parameter Dependencies table.

On-state current for switching loss data — Output current

600 A (default)

Output currents for which the switch-on loss, switch-off loss, and on-state voltage are defined. The first element must be zero. Specify this parameter using a scalar quantity.

Note This parameter is measured at the point that the gate voltage falls below the **Gate trigger voltage, Vgt**. The turn-on pulse is longer than the time it takes the current to reach its maximum value.

Dependencies

See the Main Parameter Dependencies table.

On-state voltage, $V_{ak}(T_j, I_{ak})$ — On-state voltage

[0, .1, .6, .8, 1, 1.3, 1.6, 2, 2.4; 0, .1, .7, 1, 1.2, 1.5, 1.9, 2.4, 2.8] V (default)

Voltage drop across the device while it is in a triggered conductive state. This parameter is defined as a function of temperature and final on-state output current. Specify this parameter using a vector quantity.

Dependencies

See the Main Parameter Dependencies table.

Switch-on loss, $E_{on}(T_j, I_{ak})$ — Switch-on loss

[0, .0024, .024, .12, .2, .48, 1.04, 2.16, 3.24; 0, .003, .03, .15, .25, .6, 1.3, 2.7, 4.05] * 1e-3 J (default)

Energy dissipated during a single switch on event. This parameter is defined as a function of temperature and final on-state output current. Specify this parameter using a vector quantity.

Dependencies

See the Main Parameter Dependencies table.

Temperature vector, Tj — Temperature vector

[298.15, 398.15] K (default)

Temperature values at which the switch-on loss, switch-off loss, and on-state voltage are specified. Specify this parameter using a vector quantity.

Dependencies

See the Main Parameter Dependencies table.

Anode-cathode current vector, Iak — Anode-cathode current vector

[0, .1, 1, 5, 10, 20, 40, 70, 100] A (default)

Anode-cathode currents for which the switch-on loss, switch-off- loss and on-state voltage are defined. The first element must be zero. Specify this parameter using a vector quantity.

Dependencies

See the Main Parameter Dependencies table.

Energy dissipation time constant — Time constant

1e-4 s (default)

First-order time lag with which instantaneous switching losses smoothly raise the junction temperature.

Dependencies

See the Main Parameter Dependencies table.

Integral Diode**Integral protection diode — Integral protection diode**

None (default) | Protection diode with no dynamics | Protection diode with charge dynamics

Block integral protection diode. The default value is None.

The diodes you can select are:

- Protection diode with no dynamics
- Protection diode with charge dynamics

Diode model — Diode model

Piecewise Linear (default) | Tabulated I-V curve

Select one of these diode models:

- Piecewise Linear — Use a piecewise linear model for the diode, as described in “Piecewise Linear Diode” on page 1-370. This is the default method.

- **Tabulated I-V curve** — Use tabulated forward bias I-V data plus fixed reverse bias off conductance.

Dependencies

This parameter is visible only when the thermal port is exposed and the **Integral protection diode** parameter is set to Protection diode with no dynamics or Protection diode with charge dynamics.

Forward voltage — Forward voltage

0.8 V (default)

Minimum voltage required across the + and - block ports for the gradient of the diode I-V characteristic to be $1/R_{on}$, where R_{on} is the value of **On resistance**.

Dependencies

To enable this parameter:

- If the thermal port is hidden, set **Integral protection diode** to Protection diode with no dynamics or Protection diode with charge dynamics.
- If the thermal port is exposed, set **Integral protection diode** to Protection diode with no dynamics or Protection diode with charge dynamics and **Diode model** to Piecewise linear.

On resistance — On resistance

0.001 Ohm (default)

Rate of change of voltage versus current above the **Forward voltage**.

Dependencies

To enable this parameter:

- If the thermal port is hidden, set **Integral protection diode** to Protection diode with no dynamics or Protection diode with charge dynamics.
- If the thermal port is exposed, set **Integral protection diode** to Protection diode with no dynamics or Protection diode with charge dynamics and **Diode model** to Piecewise linear.

Forward currents, $I_f(T_j, V_f)$ — Vector of forward currents

[.07, .12, .19, 1.75, 4.24, 7.32, 11.2; .16, .3, .72, 2.14, 4.02, 6.35, 9.12]
A (default) | nonnegative vector

Forward currents. This parameter must be a vector of at least three nonnegative elements.

Dependencies

To enable this parameter, expose the thermal port and set **Diode model** to Tabulated I-V curve.

Junction temperatures, T_j — Vector of junction temperatures

[25, 125] degC (default)

Vector of junction temperatures. This parameter must be a vector of at least two elements.

Dependencies

To enable this parameter, expose the thermal port and set **Diode model** to Tabulated I-V curve.

Forward voltages, Vf – Vector of forward voltages

[.5, .7, .9, 1.3, 1.7, 2.1, 2.5] V (default)

Vector of forward voltages. This parameter must be a vector of at least three nonnegative values.

Dependencies

To enable this parameter, expose the thermal port and set **Diode model** to Tabulated I-V curve.

Off conductance – Off conductance

1e-5 1/Ohm (default)

Conductance of the reverse-biased diode.

Dependencies

This parameter is visible only when the **Integral protection diode** parameter is set to Protection diode with no dynamics or Protection diode with charge dynamics.

Junction capacitance – Junction capacitance

50e-9 F (default)

Diode junction capacitance.

Dependencies

This parameter is visible only when the **Integral protection diode** parameter is set to Protection diode with charge dynamics.

Peak reverse current, i_{RM} – Peak reverse current

-235 A (default) | negative scalar

Peak reverse current measured by an external test circuit. This value must be less than zero. The default value is -235 A.

Dependencies

This parameter is visible only when the **Integral protection diode** parameter is set to Protection diode with charge dynamics.

Initial forward current when measuring i_{RM} – Initial forward current when measuring i_{RM}

300 A (default) | positive scalar

Initial forward current when measuring peak reverse current. This value must be greater than zero.

Dependencies

This parameter is visible only when the **Integral protection diode** parameter is set to Protection diode with charge dynamics.

Rate of change of current when measuring i_{RM} – Rate of change of current when measuring i_{RM}

-50A/μs (default) | negative scalar

Rate of change of current when measuring peak reverse current. This value must be less than zero.

Dependencies

This parameter is visible only when the **Integral protection diode** parameter is set to Protection diode with charge dynamics.

Reverse recovery time parameterization — Reverse recovery time parameterization

Specify reverse recovery time directly (default) | Specify stretch factor | Specify reverse recovery charge

Determines how you specify reverse recovery time in the block. The default value is Specify reverse recovery time directly.

If you select Specify stretch factor or Specify reverse recovery charge, you specify a value that the block uses to derive the reverse recovery time. For more information on these options, see “How the Block Calculates T_M and τ ” on page 1-374.

Dependencies

This parameter is visible only when the **Integral protection diode** parameter is set to Protection diode with charge dynamics.

Reverse recovery time, t_{rr} — Reverse recovery time

15 μ s (default)

Interval between the time when the current initially goes to zero (when the diode turns off) and the time when the current falls to less than 10% of the peak reverse current. The value of the **Reverse recovery time, t_{rr}** parameter must be greater than the value of the **Peak reverse current, i_{RM}** parameter divided by the value of the **Rate of change of current when measuring i_{RM}** parameter.

Dependencies

This parameter is visible only when the **Integral protection diode** parameter is set to Protection diode with charge dynamics and the **Reverse recovery time parameterization** parameter is set to Specify reverse recovery time directly.

Reverse recovery time stretch factor — Reverse recovery time stretch factor

3 (default)

Value that the block uses to calculate **Reverse recovery time, t_{rr}** . This value must be greater than 1. Specifying the stretch factor is an easier way to parameterize the reverse recovery time than specifying the reverse recovery charge. The larger the value of the stretch factor, the longer it takes for the reverse recovery current to dissipate.

Dependencies

This parameter is visible only when the **Integral protection diode** parameter is set to Protection diode with charge dynamics and the **Reverse recovery time parameterization** parameter is set to Specify stretch factor.

Reverse recovery charge, Q_{rr} — Reverse recovery charge

1500 μ As (default)

Value that the block uses to calculate **Reverse recovery time, t_{rr}** . Use this parameter if the data sheet for your diode device specifies a value for the reverse recovery charge instead of a value for the reverse recovery time.

The reverse recovery charge is the total charge that continues to dissipate when the diode turns off.

The value must be less than $-\frac{i_{RM}^2}{2a}$,

where:

- i_{RM} is the value specified for **Peak reverse current, iRM**.
- a is the value specified for **Rate of change of current when measuring iRM**.

Dependencies

This parameter is visible only when the **Integral protection diode** parameter is set to Protection diode with charge dynamics and the **Reverse recovery time parameterization** parameter is set to Specify reverse recovery charge.

For more information on these parameters, see Diode.

Thermal Port

Use the thermal port to simulate the effects of generated heat and device temperature. For more information on using thermal ports and on the **Thermal Port** parameters, see “Simulating Thermal Effects in Semiconductors”.

Compatibility Considerations

Update on switching losses and thermal modelling options

Behavior changed in R2020b

From R2020b forward, the Thyristor (Piecewise Linear) block has improved losses and thermal modelling options.

As a result of these changes:

- The **Energy dissipation time constant** parameter is no longer used. A step in junction temperature now reflects the switching losses. If your model contains a thermal mass directly connected to this block thermal port, remove it and model the thermal mass inside the component itself.
- Electrical and thermal on-state losses are now always identical. The **Thermal loss dependent on** parameter and its options, Voltage and current and Voltage, current, and temperature, have been renamed to **On-state behavior and switching losses**, Specify constant values, and Tabulate with temperature and current:
 - If you selected Voltage and current for **Thermal loss dependent on**, then the electrical on-state losses are unchanged and their values are determined using the on-state resistance. However, the thermal on-state losses are now also determined by the on-state resistance. Prior to R2020b, the thermal on-state losses were defined by the product of the **On-state voltage** and **Output current, Iout** parameters.
 - If you selected Voltage, current, and temperature for **Thermal loss dependent on**, then the thermal on-state losses are unchanged and the **On-state voltage, Vak(Tj,Iak)** parameter sets their values. However, the electrical on-state losses are now equal to the thermal on-state losses. Prior to R2020b, the electrical on-state losses were defined by the value of the on-state resistance.

- The **On-state voltage** and the switch-off parameters are no longer used.

Extended Capabilities

C/C++ Code Generation

Generate C and C++ code using Simulink® Coder™.

See Also

Diode | GTO | IGBT (Ideal, Switching) | Ideal Semiconductor Switch | MOSFET (Ideal, Switching)

Topics

“Simulating Thermal Effects in Semiconductors”

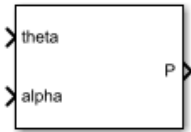
“Switch Between Physical Signal and Electrical Ports”

Introduced in R2013b

Thyristor 6-Pulse Generator

Generate thyristor 6-pulse waveform in single-pulsing mode

Library: Simscape / Electrical / Control / Pulse Width Modulation



Description

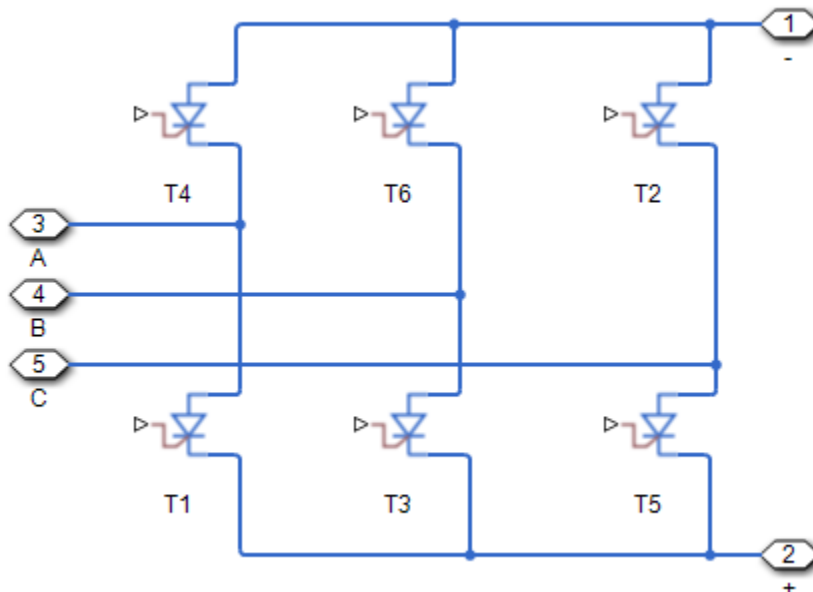
The Thyristor 6-Pulse Generator block implements a thyristor 6-pulse waveform generator in single-pulsing mode.

You can use this block to perform phase-controlled AC-to-DC conversion by:

- Measuring the synchronization angle of the AC signal with a phase-locked loop
- Controlling a thyristor converter network with the pulses generated by this block

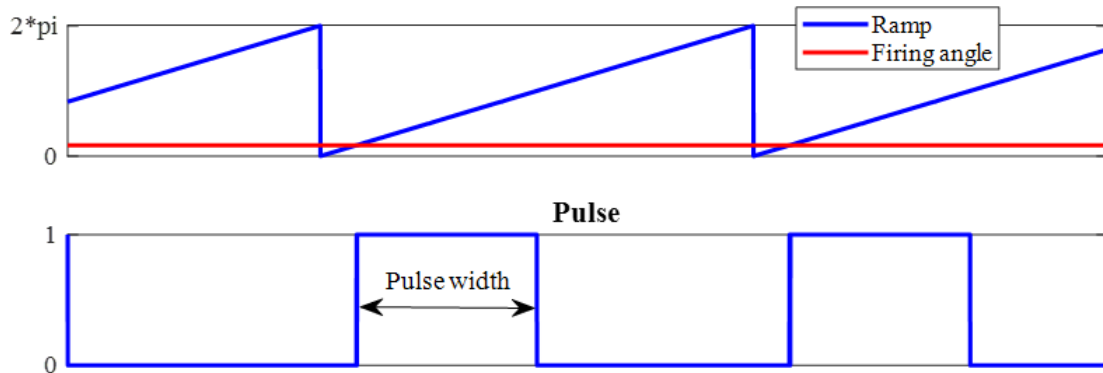
Model

The figure shows the equivalent circuit for the Thyristor 6-Pulse Generator.



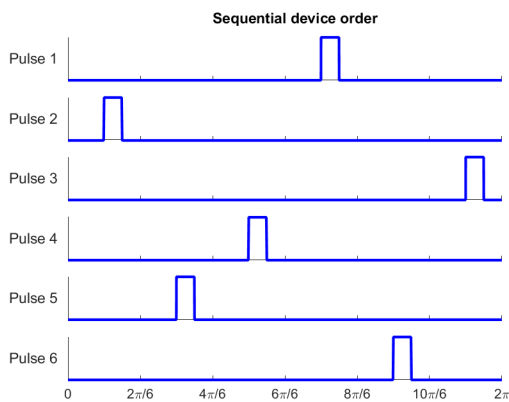
Based on the synchronization angle, θ , and the firing angle, α , the block internally generates six ramps, one for each of the pulse elements in its output vector.

The block generates a pulse at one of the outputs when the associated ramp meets or crosses the specified firing angle in the upward direction. This figure shows such a pulse generation mechanism for one of the outputs.

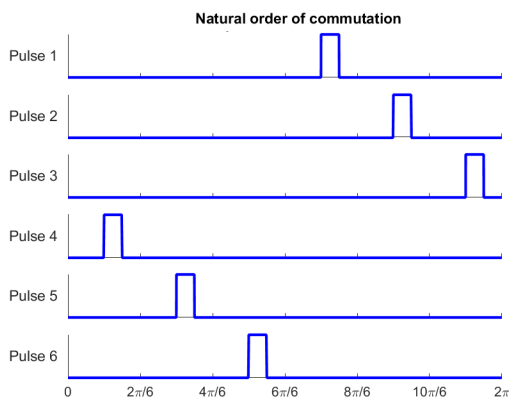


Set the pulse ordering strategy to modify the distinct phase-shift of each ramp, and as a result, the order of generated pulses:

- Set the Pulse ordering property to Sequential device order to generate pulses in sequential order. Use this strategy to generate pulses for the Converter (Three-Phase) block or other thyristor networks that use sequential ordering.



- Set the Pulse ordering property to Natural order of commutation to generate pulses in the natural order. Use this strategy to generate pulses for thyristor networks that use natural ordering.



Ports

Input

theta — Synchronization angle, radians

scalar

Synchronization angle in the range $[0, 2\pi]$, in radians.

Data Types: `single` | `double`

alpha — Firing angle, radians

scalar

Thyristor firing angle in radians.

Data Types: `single` | `double`

Output

P — Pulse vector

vector

Thyristor pulse vector.

Data Types: `single` | `double`

Parameters

Pulse ordering — Pulse ordering strategy

`Sequential device order (default)` | `Natural order of commutation`

Specify the rule for pulse ordering based on the configuration of the thyristor network you are controlling. Use the `Sequential device order` strategy to generate pulses for the Converter block.

Pulse width (rad) — Pulse width

$5\pi/6$ rad (default) | positive scalar in range $[0, \pi]$

Specify the width of each pulse in the range $[0, \pi]$.

Sample time (-1 for inherited) — Block sample time

$1e-5$ (default) | positive scalar

Time, in s, between consecutive block executions. During execution, the block produces outputs and, if appropriate, updates its internal state. For more information, see “What Is Sample Time?” and “Specify Sample Time”.

If this block is inside a triggered subsystem, inherit the sample time by setting this parameter to `-1`. If this block is in a continuous variable-step model, specify the sample time explicitly using a positive scalar.

References

[1] Pelly, B. R. *Thyristor Phase-Controlled Converters and Cycloconverters: Operation, Control, and Performance*. New York, NY: John Wiley & Sons, Inc., 1971.

Extended Capabilities

C/C++ Code Generation

Generate C and C++ code using Simulink® Coder™.

See Also

Blocks

Sinusoidal Power Measurement (PLL, Three-Phase) | Thyristor 12-Pulse Generator | Thyristor Rectifier Voltage Controller (Three-Phase)

Simscape Blocks

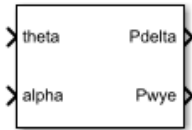
Converter (Three-Phase) | Six-Pulse Gate Multiplexer | Thyristor (Piecewise Linear)

Introduced in R2017b

Thyristor 12-Pulse Generator

Generate thyristor 12-pulse waveform in single-pulsing mode

Library: Simscape / Electrical / Control / Pulse Width Modulation



Description

The Thyristor 12-Pulse Generator block implements a thyristor 12-pulse waveform generator in single-pulsing mode.

You can use this block to perform phase-controlled AC to DC conversion by:

- Measuring the synchronization angle of the AC signal with a phase-locked loop
- Controlling a thyristor converter network with the pulses generated by this block

Model

The Thyristor 12-Pulse Generator outputs six pulses for a delta gate driver and six pulses for a wye gate driver. The delta connection can lead (Delta11) or lag (Delta1). For information on the control model, see the Thyristor 6-Pulse Generator block.

Ports

Input

theta — Synchronization angle, rad

scalar

Synchronization angle in the range $[0, 2\pi]$, in rad.

Data Types: single | double

alpha — Firing angle, rad

scalar

Thyristor firing angle in rad.

Data Types: single | double

Output

Pdelta — Delta pulse vector

vector

Thyristor pulse vector for the delta connection.

Data Types: single | double

Pwye — Wye pulse vector

vector

Thyristor pulse vector for the wye connection.

Data Types: `single` | `double`

Parameters**Pulse ordering — Pulse ordering strategy**

`Sequential device order` (default) | `Natural order of commutation`

Specify the rule for pulse ordering based on the configuration of the thyristor network you are controlling. Use the `Sequential device order` strategy to generate pulses for the Converter (Three-Phase) block.

Delta connection — Delta sinusoidal phase variance model

`Leading (Delta11)` (default) | `Lagging (Delta1)`

Sinusoidal phase variance model for the delta connection.

Pulse width (rad) — Pulse width

$5 \cdot \pi / 6$ rad (default) | positive scalar in range $[0, \pi]$

Specify the width of each pulse in the range $[0, \pi]$.

Sample time (-1 for inherited) — Block sample time

$1e-5$ (default) | positive scalar

Time, in s, between consecutive block executions. During execution, the block produces outputs and, if appropriate, updates its internal state. For more information, see “What Is Sample Time?” and “Specify Sample Time”.

If this block is inside a triggered subsystem, inherit the sample time by setting this parameter to -1. If this block is in a continuous variable-step model, specify the sample time explicitly using a positive scalar.

References

[1] Pelly, B. R. *Thyristor Phase-Controlled Converters and Cycloconverters: Operation, Control, and Performance*. New York, NY: John Wiley & Sons, Inc., 1971.

Extended Capabilities**C/C++ Code Generation**

Generate C and C++ code using Simulink® Coder™.

See Also**Blocks**

Sinusoidal Power Measurement (PLL, Three-Phase) | Thyristor 6-Pulse Generator | Thyristor Rectifier Voltage Controller (Three-Phase)

Simscape Blocks

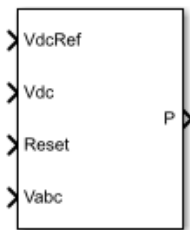
Converter (Three-Phase) | Three-Winding Transformer (Three-Phase) | Thyristor (Piecewise Linear) |
Twelve-Pulse Gate Multiplexer

Introduced in R2018a

Thyristor Rectifier Voltage Controller (Three-Phase)

Discrete-time DC-link voltage PI control for thyristor rectifiers

Library: Simscape / Electrical / Control / Converter Control

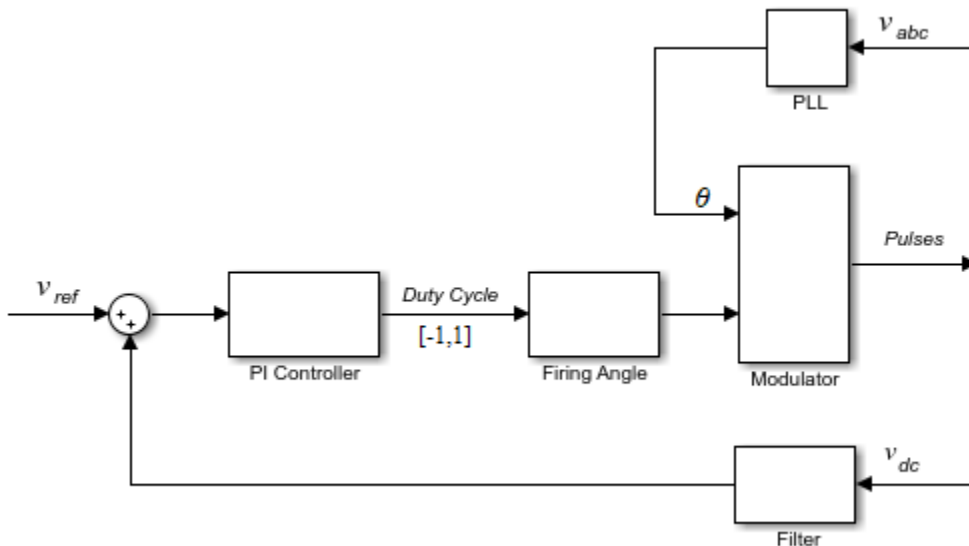


Description

The Thyristor Rectifier Voltage Controller (Three-Phase) block implements a discrete-time proportional-integral (PI) based DC-link voltage controller for thyristor rectifiers.

Model

To regulate the output DC-link voltage of a thyristor rectifier, the Thyristor Rectifier Voltage Controller (Three-Phase) block determines firing angles using the cosine wave-crossing method. The figure shows the control structure, which includes a three-phase phase-locked loop (PLL).



Ports

Input

VdcRef — Reference DC voltage, V

scalar

Desired DC-link voltage.

Data Types: single | double

Vdc — DC-link voltage, V

scalar

Measured DC-link voltage.

Data Types: single | double

Reset — External reset

scalar

External reset signal (rising edge) for integrators.

Data Types: single | double

Vabc — Three-phase voltage, V

vector

Three-phase voltage specified as a vector of that contains the *a*-, *b*-, and *c*-phase voltages.

Data Types: single | double

Output

P — Pulses

vector

Pulse control signal.

Data Types: single | double

Parameters

Loop filter proportional gain — Loop filter K_p

2 (default) | positive scalar

Loop filter proportional gain for the phase-locked loop (PLL).

Loop filter integral gain — Loop filter K_i

20 (default) | positive scalar

Loop filter integral gain for the phase-locked loop (PLL).

Proportional gain — Controller K_p

1 (default) | positive scalar

Proportional gain for the PI-controller that generates the reference phase voltage.

Integral gain – Controller K_i

1 (default) | positive scalar

Integral gain for the PI-controller that generates the reference phase voltage.

Thyristor pulse width (rad) – Pulse width $5\pi/6$ (default) | positive scalar

Angular width of pulses.

Pulse ordering – Pulse ordering rule

Sequential device order (default) | Natural order of commutation

Model for the ordering the generated pulses.

Sample time (-1 for inherited) – Block sample time

-1 (default) | positive scalar

Time, in s, between consecutive block executions. During execution, the block produces outputs and, if appropriate, updates its internal state. For more information, see “What Is Sample Time?” and “Specify Sample Time”.

If this block is inside a triggered subsystem, inherit the sample time by setting this parameter to -1. If this block is in a continuous variable-step model, specify the sample time explicitly using a positive scalar.

Time constant voltage filter – DC voltage filter τ

0.001 (default) | positive scalar

Time constant for the DC voltage filter.

Dependencies

The **Time constant voltage filter** parameter is only visible when the **Filter DC voltage** check box is selected.

Filter DC voltage – DC voltage filter option

on (default) | off

When the check box is:

- Selected — The block filters the DC voltage signal.
- Cleared — The block does not filter the DC voltage signal.

Dependencies

The **Time constant voltage filter** parameter is only visible when the **Filter DC voltage** check box is selected.

References

- [1] Pelly, B. R. *Thyristor Phase-Controlled Converters and Cycloconverters: Operation, Control, and Performance*. New York, NY: John Wiley & Sons, Inc., 1971.

Extended Capabilities

C/C++ Code Generation

Generate C and C++ code using Simulink® Coder™.

See Also

Blocks

Sinusoidal Power Measurement (PLL, Three-Phase) | Thyristor 12-Pulse Generator | Thyristor 6-Pulse Generator

Simscape Blocks

Converter (Three-Phase) | Six-Pulse Gate Multiplexer | Twelve-Pulse Gate Multiplexer

Introduced in R2018a

Timer

Behavioral model of a timer integrated circuit

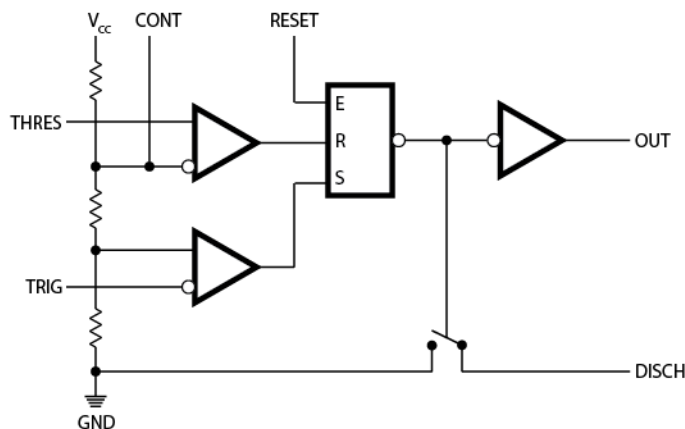
Library: Simscape / Electrical / Integrated Circuits



Description

The Timer block is a behavioral model of a timer integrated circuit such as the NE555.

The following figure shows the implementation structure.



The **Potential divider component resistance** parameter sets the values of the three resistors creating the potential divider. The two comparator inputs have infinite input resistance and zero input capacitance. The S-R Latch block provides the functionality of the set-reset latch. It includes an output capacitor and a resistor with values set to match the **Propagation delay** parameter value. The block models the output stage inverter using a CMOS NOT block. You define the output resistance, low-level output voltage, and high-level output voltage for the CMOS gate in the Timer block dialog box. The discharge switch approximates the NPN bipolar transistor on a real timer as a switch with defined switch on-resistance and off-resistance values.

Assumptions and Limitations

- The behavior is abstracted. Results are not as accurate as a transistor-level model.
- Delay in response to changing inputs depends solely upon the RC time constant of the resistor-capacitor network at the output of the latch. In practice, the delay has a more complex dependency on the device structure. Set this value based on the output-pulse rise and fall times.
- The drop in output voltage is a linear function of output current. In practice, the relationship is that of a bipolar transistor push-pull pair.
- The controlled switch arrangement used by the block is an approximation of an open-collector arrangement.

- The power supply connects internally within the component, and the block assumes that the GND pin is grounded.

Ports

Conserving

THRES — Threshold pin

electrical

Electrical conserving port associated to the timer threshold pin

TRIG — Trigger pin

electrical

Electrical conserving port associated to the timer trigger pin

CONT — Control pin

electrical

Electrical conserving port associated to the timer control pin

RESET — Reset pin

electrical

Electrical conserving port associated to the timer reset pin

OUT — Output pin

electrical

Electrical conserving port associated to the timer output pin

DISCH — Discharge pin

electrical

Electrical conserving port associated to the timer discharge pin

Parameters

Supply

Power supply voltage — Power supply voltage

15 V (default)

The voltage value V_{CC} that the block applies internally to the timer component.

Outputs

Low level output voltage — Low level output voltage

0 V (default)

The output voltage when the timer output is low and no output current is drawn.

High level output voltage — High level output voltage

14.1 V (default)

The output voltage V_{OH} when the timer output is high and no current is drawn.

Output resistance – Output resistance

8 0hm (default)

The ratio of output voltage drop to output current. Set this parameter to $(V_{OH} - V_{OH1})/I_{OH1}$, where V_{OH1} is the reduced output high voltage when the output current is I_{OH1} .

Propagation delay – Propagation delay

100e-9 s (default)

Set this value to the input-pulse or output-pulse rise time.

Discharge

Discharge switch on-resistance – Discharge switch on-resistance

12 0hm (default)

A representative value is the discharge pin saturation voltage divided by the corresponding current.

Discharge switch off-resistance – Discharge switch off-resistance

500e6 0hm (default)

A representative value is the discharge pin leakage current divided by the corresponding pin voltage.

Potential Divider

Potential divider component resistance – Potential divider component resistance

5 k0hm (default)

A typical value for a 555-type timer is 5 k Ω . You can measure it directly across the positive supply and control pins when the chip does not connect to a circuit.

Extended Capabilities

C/C++ Code Generation

Generate C and C++ code using Simulink® Coder™.

See Also

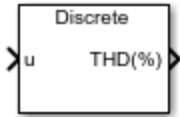
Comparator | S-R Latch

Introduced in R2009b

Total Harmonic Distortion

Total harmonic distortion measurement

Library: Simscape / Electrical / Control / Measurements



Description

The Total Harmonic Distortion block calculates the total harmonic distortion (THD) percentage using these equations:

$$M = \frac{\text{harmonic magnitude}}{\sqrt{2}},$$

and

$$\%THD = 100 \frac{\sqrt{\sum_{i=2}^n M_i^2}}{M_1},$$

where:

- M_i is the root mean squared (RMS) value of the harmonic magnitude that corresponds to the i^{th} harmonic order.
- M is V_{RMS} or I_{RMS} .
- $\sum_{i=2}^n M_i^2$ is the sum of all harmonic components.

Ports

Input

u — Harmonic magnitude

scalar | vector

Harmonic magnitude.

Data Types: single | double

Output

THD (%) — Total harmonic distortion

scalar | vector

Total harmonic distortion as a percentage.

Data Types: single | double

Parameters

Fundamental frequency — Fundamental frequency in Hz

60 Hz (default)

Fundamental frequency, in Hz.

Sample time (-1 for inherited) — Block sample time

-1 (default) | nonnegative scalar

Time between consecutive block executions. During execution, the block produces outputs and, if appropriate, updates its internal state. For more information, see “What Is Sample Time?” and “Specify Sample Time”.

For inherited discrete-time operation, specify -1. For discrete-time operation, specify a positive integer. For continuous-time operation, specify 0.

To improve accuracy, set this value at least 10 times smaller than the **Time constant** parameter.

Note If this block is in a masked subsystem, or another variant subsystem that allows either continuous or discrete operation, promote the sample time parameter to ensure correct switching between the continuous and discrete implementations of the block. For more information, see “Promote Parameter to Mask”.

Extended Capabilities

C/C++ Code Generation

Generate C and C++ code using Simulink® Coder™.

See Also

Introduced in R2019b

Transmission Line

Delay-based or lumped parameter transmission line

Library: Simscape / Electrical / Passive / Lines



Description

The Transmission Line block lets you choose between the following models of a transmission line:

- 1 Delay-based and lossless
- 2 Delay-based and lossy
- 3 Lumped parameter L-section
- 4 Lumped parameter pi-section
- 5 Distributed parameter line

The first option provides the best simulation performance, with options 2, 3 and 4 requiring progressively more computing power.

Delay-Based and Lossless

This first option, **Delay-based and lossless**, models the transmission line as a fixed impedance, irrespective of frequency, plus a delay term. The defining equations are:

$$v_1(t) - i_1(t) Z_0 = v_2(t - \tau) + i_2(t - \tau) Z_0 \quad (1-37)$$

2

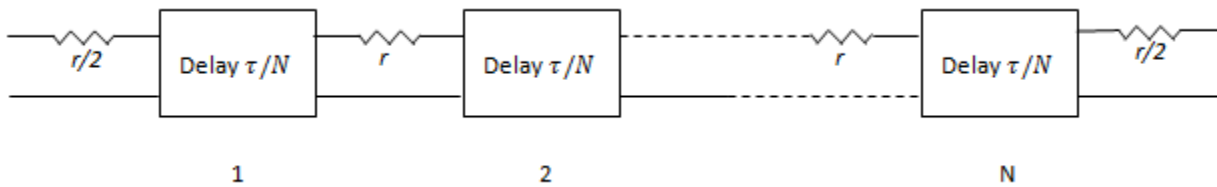
$$v_2(t) - i_2(t) Z_0 = v_1(t - \tau) + i_1(t - \tau) Z_0 \quad (1-38)$$

where:

- v_1 is the voltage across the left-hand end of the transmission line.
- i_1 is the current into the left-hand end of the transmission line.
- v_2 is the voltage across the right-hand end of the transmission line.
- i_2 is the current into the right-hand end of the transmission line.
- τ is the transmission line delay.
- Z_0 is the line characteristic impedance.

Delay-Based and Lossy

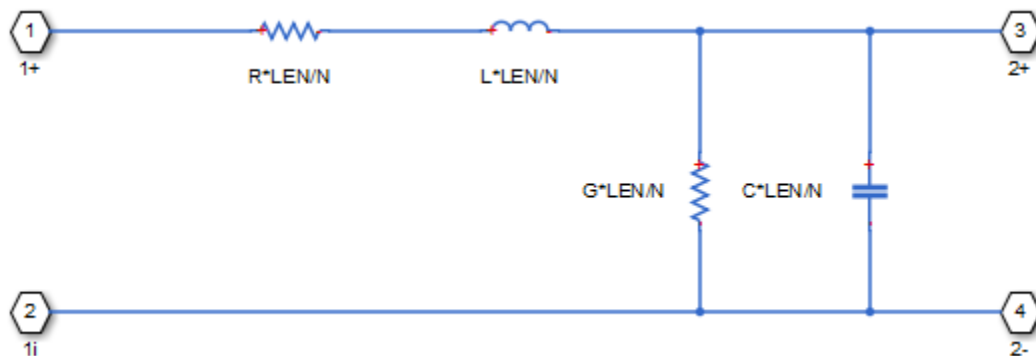
To introduce losses, the second option, **Delay-based and lossy**, connects N delay-based components, each defined by the above equations, in series via a set of resistors, as shown in the following illustration.



N is an integer greater than or equal to 1. $r = R \cdot LEN / N$, where R is the line resistance per unit length and LEN is the line length.

Lumped Parameter L-Section

The following block diagram shows the model of one L-line segment.



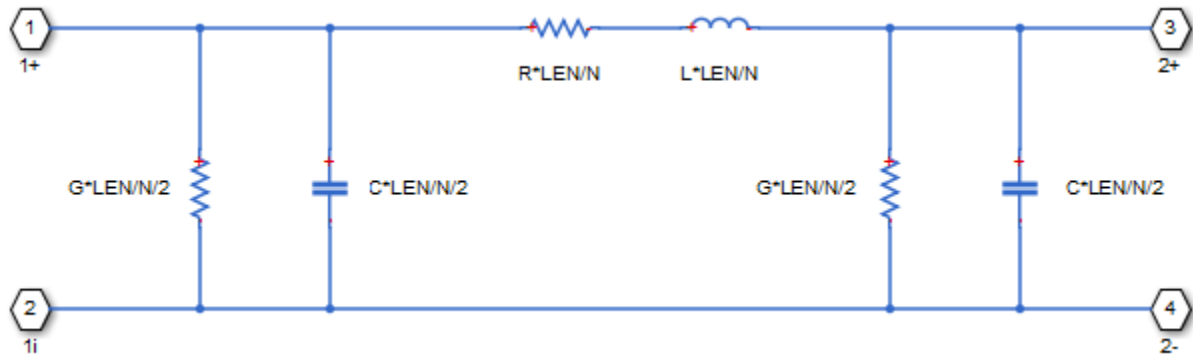
The lumped parameter parameterization uses N copies of the above segment model connected in series.

Parameters are as follows:

- R is line resistance per unit length.
- L is the line inductance per unit length.
- C is the line capacitance per unit length.
- G is the line conductance per unit length.
- LEN is the length of the line.
- N is the number of series segments.

Lumped Parameter Pi-Section

The following block diagram shows the model of one pi-line segment.



The lumped parameter parameterization uses N copies of the above segment model connected in series. The parameters are as defined for the L-section transmission line model. Unlike the L-section model, the pi-section model is symmetric.

Lumped Parameter Line Model Parameterization

The lumped-parameter models (L-section or pi-section) are the most challenging to simulate, typically needing many more segments (greater N) than for the delay-based and lossy model [1 on page 1-2120].

Cable manufacturers do not typically quote an inductance value per unit length, but instead give the characteristic impedance. The inductance, capacitance, and characteristic impedance are related by:

$$L = C \cdot Z_0^2 \quad (1-39)$$

The block lets you specify either L or Z_0 when using the lumped parameter model.

Distributed parameter line

A distributed parameter line gives more accurate simulation at particular frequency compared to the other options provided by this block. However, this is not a frequency-dependent model. The accuracy of the model will drop outside the frequency point specified in the **Frequency used for rlcg specification** parameter.

For a frequency-dependent transmission line model, see Frequency-Dependent Overhead Line (Three-Phase).

The electromagnetic behavior of a multiconductor transmission line is described by the telegrapher's equation.

$$I_2 - Y_c V_2 = -H(I_1 + Y_c V_1) \quad (1-40)$$

$$I_1 - Y_c V_1 = -H(I_2 + Y_c V_2) \quad (1-41)$$

Define:

- $I_{sh,1} = Y_c V_1$ — Shunt current vector produced at terminal 1 by injected voltages V_1
- $I_{sh,2} = Y_c V_2$ — Shunt current vector produced at terminal 2 by injected voltages V_2
- $I_{rfl,1} = \frac{1}{2}(I_1 + Y_c V_1)$ — Reflected currents of terminal 1

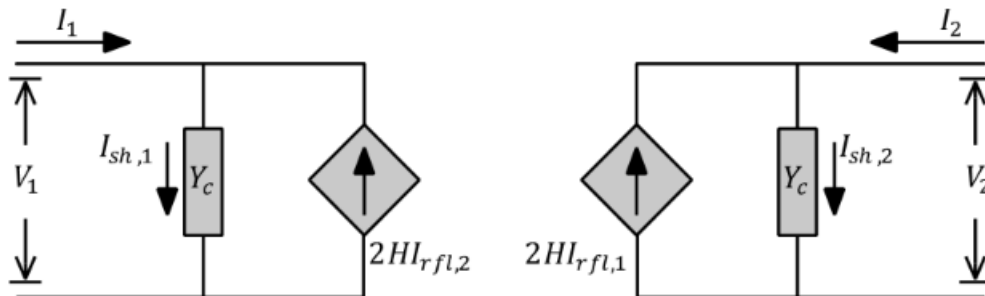
- $I_{rfl,2} = \frac{1}{2}(I_2 + Y_c V_2)$ — Reflected currents of terminal 2

You can then rewrite and solve equations 4 and 5:

$$I_1 = I_{sh,1} - 2HI_{rfl,2}$$

$$I_2 = I_{sh,2} - 2HI_{rfl,1}$$

The following block diagram shows the equivalent circuit for a distributed parameter line.

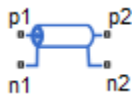


Assumptions and Limitations

- For the lumped parameter options, MathWorks recommends that you use a trapezoidal solver such as ode23t. This is because lumped parameter transmission models have very lightly damped internal dynamics, which are best suited to trapezoidal solvers for numerical accuracy.
- The lumped parameter pi-section model has a parallel capacitor at both ends. This means that you should not connect it directly to an ideal voltage source, that is, a source with no internal resistance. The lumped parameter L-section model, however, has a series input resistor, and therefore you can connect it directly to an ideal voltage source.

Ports

Refer to the figure for port locations.



Conserving

p1 — Inner conductor 1

electrical

Electrical conserving port associated with one end of the transmission line inner conductor.

n1 — External shielding conductor 1

electrical

Electrical conserving port associated with one end of the transmission line external shielding conductor.

p2 — Inner conductor 2

electrical

Electrical conserving port associated with one end of the transmission line inner conductor.

n2 — External shielding conductor 2

electrical

Electrical conserving port associated with one end of the transmission line external shielding conductor.

Parameters**Model Type — Transmission line models**

Delay-based and lossless (default) | Delay-based and lossy | Lumped parameter L-section | Lumped parameter pi-section | Distributed parameter line

Select one of the following transmission line models:

- **Delay-based and lossless** — Model the transmission line as a fixed impedance, irrespective of frequency, plus a delay term, as described in “Delay-Based and Lossless” on page 1-2114. This is the default method. It provides the best simulation performance.
- **Delay-based and lossy** — Model the transmission line as a number of delay-based components, connected in series via a set of resistors, as described in “Delay-Based and Lossy” on page 1-2114.
- **Lumped parameter L-section** — Model the transmission line as a number of L-line segments, connected in series, as described in “Lumped Parameter L-Section” on page 1-2115.
- **Lumped parameter pi-section** — Model the transmission line as a number of pi-line segments, connected in series, as described in “Lumped Parameter Pi-Section” on page 1-2115.
- **Distributed parameter line** — Model the transmission line as a distributed parameter line, as described in “Distributed parameter line” on page 1-2116 .

Transmission delay — Total transmission delay

5 ns (default) | positive scalar

The total transmission line delay. The parameter value must be greater than zero. The default value is 5 ns, which is a typical value for a one-meter coaxial cable.

Dependencies

This parameter is visible only when you select **Delay-based and lossless** or **Delay-based and lossy** for the **Model type** parameter.

Parameterization — Model parameterization

By characteristic impedance and capacitance (default) | By inductance and capacitance

Select the model parameterization method, as described in “Lumped Parameter Line Model Parameterization” on page 1-2116:

- **By characteristic impedance and capacitance** — Specify values for the **Characteristic impedance** and **Capacitance per unit length** parameters. This is the default method.

- By inductance and capacitance — Specify values for the **Inductance per unit length** and **Capacitance per unit length** parameters.

Dependencies

This parameter is visible only when you select Lumped parameter L-section or Lumped parameter pi-section for the **Model type** parameter.

Characteristic impedance — Characteristic impedance

50 Ohm (default) | positive scalar

The characteristic impedance of the transmission line. The parameter value must be greater than zero.

Dependencies

This parameter is visible only when you select either:

- Delay-based and lossless or Delay-based and lossy for the **Model type** parameter.
- Lumped parameter L-section or Lumped parameter pi-section for the **Model type** parameter and By characteristic impedance and capacitance for the **Parameterization** parameter.

Frequency used for rlcg specification — Frequency used for rlcg specification

60 Hz (default) | positive scalar

Frequency used for the R, L, C, G specification, where:

- R is line resistance per unit length.
- L is the line inductance per unit length.
- C is the line capacitance per unit length.
- G is the line conductance per unit length.

Dependencies

This parameter is visible only when you select Distributed parameter line for the **Model type** parameter.

Inductance per unit length — Inductance per unit length

220 μ H/m (default) | positive scalar

The effective inductance of the transmission line per unit length. The parameter value must be greater than zero.

Dependencies

This parameter is visible only when you select Lumped parameter L-section, Lumped parameter pi-section or Distributed parameter line for the **Model type** parameter and By inductance and capacitance for the **Parameterization** parameter.

Capacitance per unit length — Capacitance per unit length

90 pF/m (default)

The transmission line capacitance per unit length.

Dependencies

This parameter is visible only when you select Lumped parameter L-section, Lumped parameter pi-section or Distributed parameter line for the **Model type** parameter.

Resistance per unit length — Resistance per unit length

0.3 Ohm/m (default)

The total transmission line resistance (that is, the sum of the resistance for the two conducting paths) per unit length.

Dependencies

This parameter is visible only when you select Delay-based and lossy, Lumped parameter L-section, Lumped parameter pi-section or Distributed parameter line for the **Model type** parameter.

Insulation conductance per unit length — Insulation conductance per unit length

5e-6 S/m (default) | nonnegative scalar

The conductance between the two transmission line conductors per unit length. The parameter value must be greater than, or equal to, zero.

Dependencies

This parameter is visible only when you select Lumped parameter L-section, Lumped parameter pi-section or Distributed parameter line for the **Model type** parameter.

Line length — Total transmission line length

1 m (default) | positive scalar

The total transmission line length. The parameter value must be greater than zero.

Dependencies

This parameter is visible only when you select Delay-based and lossy, Lumped parameter L-section, Lumped parameter pi-section or Distributed parameter line for the **Model type** parameter.

Number of segments — Number of model segments

1 (default)

The number of model segments used to represent the transmission line. The parameter value must be an integer greater than, or equal to, 1.

Dependencies

This parameter is visible only when you select Delay-based and lossy, Lumped parameter L-section or Lumped parameter pi-section for the **Model type** parameter.

References

- [1] Sussman-Fort, S.E. and J.C. Hantgan. "SPICE Implementation of Lossy Transmission Line and Schottky Diode Models." *IEEE Transactions on Microwave Theory and Techniques*. Vol. 36, No. 1, January, 1988.

Extended Capabilities

C/C++ Code Generation

Generate C and C++ code using Simulink® Coder™.

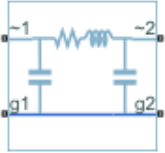
See Also

Introduced in R2012a

Transmission Line (Three-Phase)

Three-phase transmission line using lumped-parameter pi-section line model

Library: Simscape / Electrical / Passive / Lines



Description

The Transmission Line (Three-Phase) block models a three-phase transmission line using the lumped-parameter pi-line model. This model takes into account phase resistance, phase self-inductance, line-line mutual inductance and resistance, line-line capacitance, and line-ground capacitance.

To simplify the block-defining equations, Clarke's transformation is used. The resulting equations are:

$$V_1 - V_2 = \begin{bmatrix} R + 2R_m & & \\ & R - R_m & \\ & & R - R_m \end{bmatrix} I_1 + \begin{bmatrix} L + 2M & & \\ & L - M & \\ & & L - M \end{bmatrix} \frac{dI_1}{dt}$$

$$I_1 + I_2 = \begin{bmatrix} C_g & & \\ & C_g + 3C_l & \\ & & C_g + 3C_l \end{bmatrix} \frac{dV_2}{dt}$$

$$I_1 = T'I_1$$

$$I_2 = T'I_2$$

$$V_1 = TV_1$$

$$V_2 = TV_2$$

$$T = \frac{1}{\sqrt{3}} \begin{bmatrix} 1 & \sqrt{2} & 0 \\ 1 & -1/\sqrt{2} & \sqrt{3}/2 \\ 1 & -1/\sqrt{2} & -\sqrt{3}/2 \end{bmatrix}$$

where:

- R is the line resistance for the segment.
- R_m is the mutual resistance for the segment.
- L is the line inductance for the segment.
- C_g is the line-ground capacitance for the segment.
- C_l is the line-line capacitance for the segment.

- T is the Clarke's transformation matrix.
- $I1$ is the three-phase current flowing into the ~1 port.
- $I2$ is the three-phase current flowing into the ~2 port.
- $V1$ is the three-phase voltage at the ~1 port.
- $V2$ is the three-phase voltage at the ~2 port.

The positive and zero-sequence parameters are defined by the diagonal terms in the transformed equations:

$$R_0 = R + 2R_m$$

$$R_1 = R - R_m$$

$$L_0 = L + 2M$$

$$L_1 = L - M$$

$$C_0 = C_g$$

$$C_1 = C_g + 3C_l$$

Rearranging these equations gives the physical line quantities in terms of positive and zero-sequence parameters:

$$R = \frac{2R_1 + R_0}{3}$$

$$R_m = \frac{R_0 - R_1}{3}$$

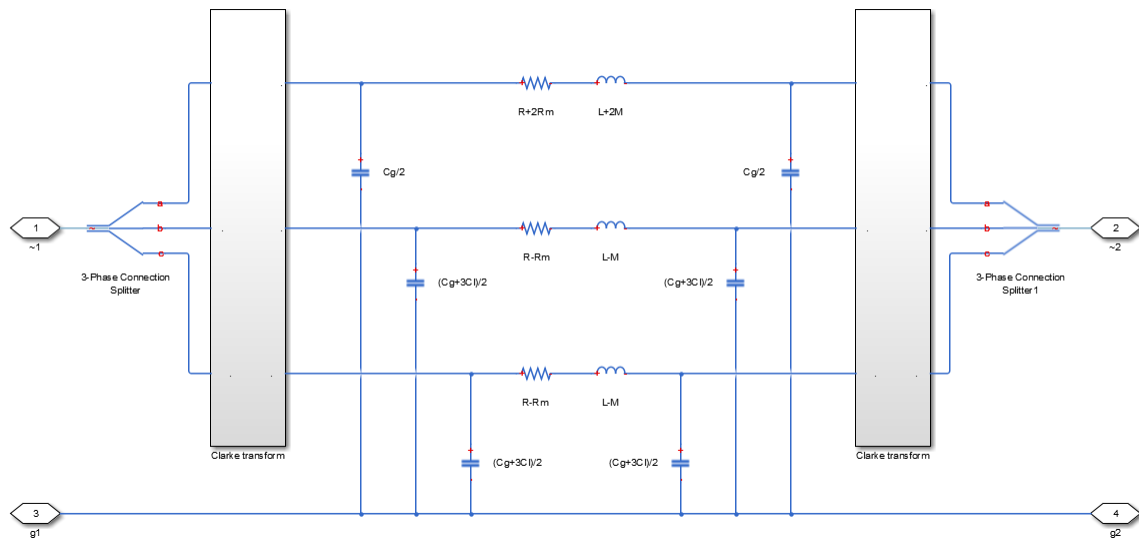
$$L = \frac{2L_1 + L_0}{3}$$

$$M = \frac{L_0 - L_1}{3}$$

$$C_l = \frac{C_1 - C_0}{3}$$

$$C_g = C_0$$

The figure shows the equivalent electrical circuit for a single-segment pi-line model using Clarke's transformation.



To increase fidelity, you can use the **Number of segments** parameter to repeat the pi-section N times, resulting in an N-segment transmission line model. More segments significantly slows down your simulation.

To improve numerical performance, you can add parasitic resistance and conductance components. Choosing large values for these components improves simulation speed but decreases simulation accuracy.

Ports

Conserving

~1 — Three-phase port

electrical

Expandable three-phase port.

~2 — Three-phase port

electrical

Expandable three-phase port.

g1 — Ground connection at end ~1

electrical

Electrical conserving port corresponding to ground connection at ~1 end of the transmission line.

g2 — Ground connection at end ~2

electrical

Electrical conserving port corresponding to ground connection at ~2 end of the transmission line.

Parameters

Main

Line length — Length of the transmission line

1 km (default)

Length of the transmission line.

Resistance — Resistance of the transmission line

0.02 Ohm/km (default)

Resistance of the transmission line per phase per-unit length.

Inductance — Self-inductance of the transmission line

0.5 mH/km (default)

Self-inductance of the transmission line per phase per-unit length.

Mutual inductance — Line-line mutual inductance

0.1 mH/km (default)

Line-line mutual inductance per-unit length. Set this to 0 to remove mutual inductance.

Line-line capacitance — Line-line capacitance

0.3 μ F/km (default)

Line-line capacitance per-unit length.

Line-ground capacitance — Line-ground capacitance

0 μ F/km (default)

Line-ground capacitance per-unit length. The default value is 0 μ F/km (no line-ground capacitance).

Mutual resistance — Line-line mutual resistance

0 Ohm/km (default)

Line-line mutual resistance per unit length. The default value is 0Ohm/km (no line-line mutual resistance).

Number of segments — Number of segments

1 (default)

Number of segments in the pi-line model.

Parasitics

Parasitic series resistance — Parasitic series resistance

1e-6 Ohm (default)

Resistance value, divided by the number of segments, that is added in series with every capacitor in the model.

Parasitic parallel conductance — Parasitic parallel conductance

1e-6 1/Ohm (default)

Conductance value, divided by the number of segments, that is added in parallel with every series resistor and inductor in the model.

Extended Capabilities

C/C++ Code Generation

Generate C and C++ code using Simulink® Coder™.

See Also

Topics

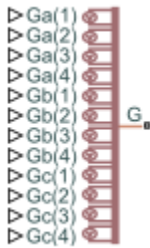
“Expand and Collapse Three-Phase Ports on a Block”

Introduced in R2013b

Twelve-Pulse Gate Multiplexer

Multiplex gate input signals to Three-Level Converter (Three-Phase) block

Library: Simscape / Electrical / Semiconductors & Converters / Converters



Description

The Twelve-Pulse Gate Multiplexer block routes gate voltage signals to the 12 switching devices in a Three-Level Converter (Three-Phase) block. The block multiplexes the 12 gate signals into a single vector. Gate signals are ordered as *a*-phase, *b*-phase, and then *c*-phase, with four gate signals per phase.

When you switch the block inputs to electrical ports, the block shows 12 pairs of electrical connections, each pair corresponding to the gate and cathode of a switching device.

Ports

Conserving

Ga(1), Ga(2), Ga(3), Ga(4) — Ga(1),Ga(2),Ga(3),Ga(4)

electrical

Ports associated with the gate terminals of the Three-Level Converter (Three-Phase)*a*-phase switching devices. You can set the ports to either physical signal or electrical ports.

Gb(1), Gb(2), Gb(3), Gb(4) — Gb(1),Gb(2),Gb(3),Gb(4)

electrical

Ports associated with the gate terminals of the Three-Level Converter (Three-Phase)*b*-phase switching devices. You can set the ports to either physical signal or electrical ports.

Gc(1), Gc(2), Gc(3), Gc(4) — Gc(1),Gc(2),Gc(3),Gc(4)

electrical

Ports associated with the gate terminals of the Three-Level Converter (Three-Phase)*c*-phase switching devices. You can set the ports to either physical signal or electrical ports.

G — G

electrical

Vector output port associated with the multiplexed gate signals. Connect this port to the G port of the Three-Level Converter (Three-Phase) block.

Ka(1), Ka(2), Ka(3), Ka(4) — Ka(1),Ka(2),Ka(3),Ka(4)

electrical

Electrical conserving ports associated with the individual cathode terminals corresponding to the Three-Level Converter (Three-Phase) block *a*-phase switching devices.

Dependencies

These ports are visible only when you set the input ports of the Twelve-Pulse Gate Multiplexer block to electrical ports.

Kb(1), Kb(2), Kb(3), Kb(4) — Kb(1),Kb(2),Kb(3),Kb(4)

electrical

Electrical conserving ports associated with the individual cathode terminals corresponding to the Three-Level Converter (Three-Phase) block *b*-phase switching devices.

Dependencies

These ports are visible only when you set the input ports of the Twelve-Pulse Gate Multiplexer block to electrical ports.

Kc(1), Kc(2), Kc(3), Kc(4) — Kc(1),Kc(2),Kc(3),Kc(4)

electrical

Electrical conserving ports associated with the individual cathode terminals corresponding to the Three-Level Converter (Three-Phase) block *c*-phase switching devices.

Dependencies

These ports are visible only when you set the input ports of the Twelve-Pulse Gate Multiplexer block to electrical ports.

Extended Capabilities**C/C++ Code Generation**

Generate C and C++ code using Simulink® Coder™.

See Also

Six-Pulse Gate Multiplexer | Three-Level Converter (Three-Phase)

Topics

“Switch Between Physical Signal and Electrical Ports”

Introduced in R2014b

Two-Pulse Gate Multiplexer

Multiplex gate input signals to two quadrant chopper

Library: Simscape / Electrical / Semiconductors & Converters / Converters



Description

The Two-Pulse Gate Multiplexer block multiplexes two separate voltage signals into a single vector. The vectorized signal can control the gates of two switching devices in a converter, such as a Two-Quadrant Chopper block.

Model

There are two model variants for the block. To access the model variants, in the model window, right-click the block. From the context menu, select **Simscape > Block choices**.

The model variants are:

- PS ports — Two-pulse gate multiplexer with physical signal ports. Select this default option to control switching device gates in a converter block using Simulink gate-control voltage signals. To multiplex and connect Simulink signals to the gate-control inport of a converter block:
 - 1 Convert each voltage signal using a Simulink-PS Converter block.
 - 2 Multiplex the converted gate signals into a single vector using the multiplexer block.
 - 3 Connect the vector signal to the **G** port of the converter.
- Electrical ports — Two-pulse gate multiplexer with electrical conserving ports. To control switching device gates in a converter block using Simscape Electrical Electronics and Mechatronics blocks, select this option. The electrical ports include pairs of electrical connections. Each pair corresponds to the gate and cathode of a switching device in the connected converter block.

Ports

Input

G1 — Gate-control voltage signal 1

physical signal

Physical signal port associated with the gate terminal of the first switching device in a connected converter block.

Dependencies

This port only appears for the PS ports block choice.

Data Types: double

G2 — Gate-control voltage signal 2

physical signal

Physical signal port associated with the gate terminal of the second switching device in a connected converter block.

Dependencies

This port only appears for the PS ports block choice.

Data Types: double

Conserving**G1 — Gate-control voltage signal 1**

electrical

Electrical conserving port associated with the gate terminal of the first switching device in a connected converter block.

Dependencies

This port only appears for the Electrical ports block choice.

a — A-phase AC reference point

electrical

Electrical conserving port associated with the A-phase for the high-side switching device.

Dependencies

This port only appears for the Electrical ports block choice.

G2 — Gate-control voltage signal 2

electrical

Electrical conserving port associated with the gate terminal of the second switching device in a connected converter block.

Dependencies

This port only appears for the Electrical ports block choice.

L — DC reference point

electrical

Electrical conserving port associated with the DC negative connection for the low-side switching device.

Dependencies

This port only appears for the Electrical ports block choice.

Extended Capabilities**C/C++ Code Generation**

Generate C and C++ code using Simulink® Coder™.

See Also

Four-Pulse Gate Multiplexer | Six-Pulse Gate Multiplexer | Twelve-Pulse Gate Multiplexer | Two-Quadrant Chopper

Topics

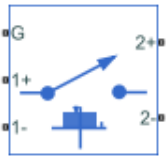
Switch Between Physical Signal and Electrical Ports

Introduced in R2018a

Two-Quadrant Chopper

Two-quadrant controlled DC-DC chopper

Library: Simscape / Electrical / Semiconductors & Converters / Converters



Description

The Two-Quadrant Chopper block represents a two-quadrant controlled chopper for converting a fixed DC input to a variable DC output. The block contains two switching devices. Options for the type of switching devices are:

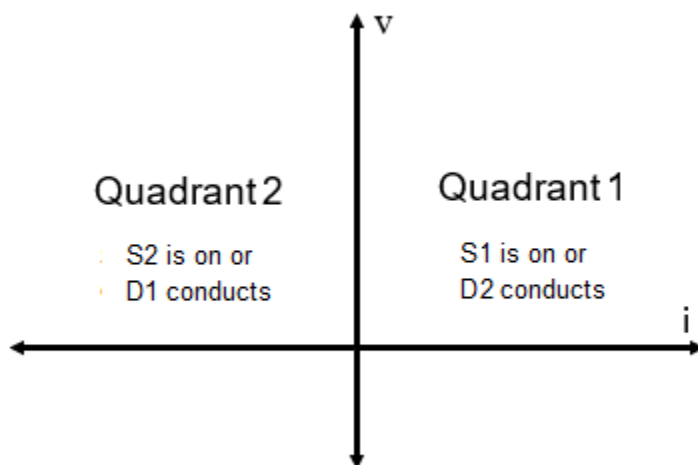
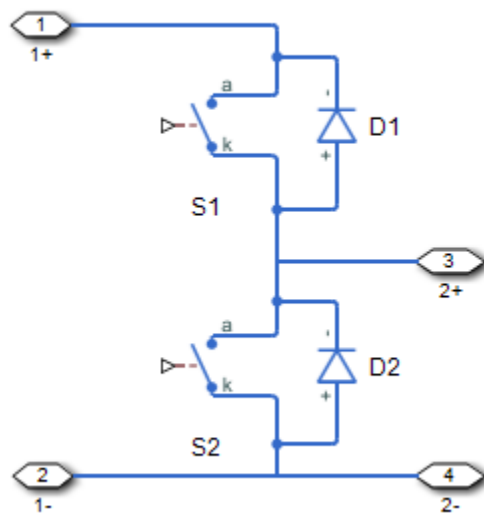
- GTO — Gate turn-off thyristor. For information about the I-V characteristic of the device, see GTO.
- Ideal semiconductor switch — For information about the I-V characteristic of the device, see Ideal Semiconductor Switch.
- IGBT — Insulated-gate bipolar transistor. For information about the I-V characteristic of the device, see IGBT (Ideal, Switching).
- MOSFET — N-channel metal-oxide-semiconductor field-effect transistor. For information about the I-V characteristic of the device, see MOSFET (Ideal, Switching).
- Thyristor — For information about the I-V characteristic of the device, see Thyristor (Piecewise Linear).
- Averaged Switch.

Model

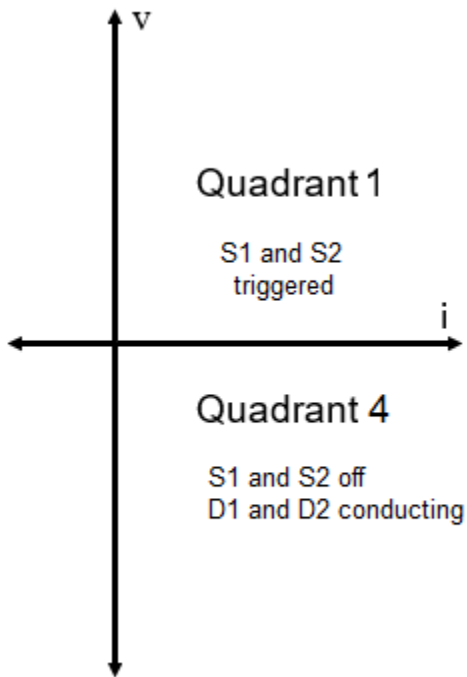
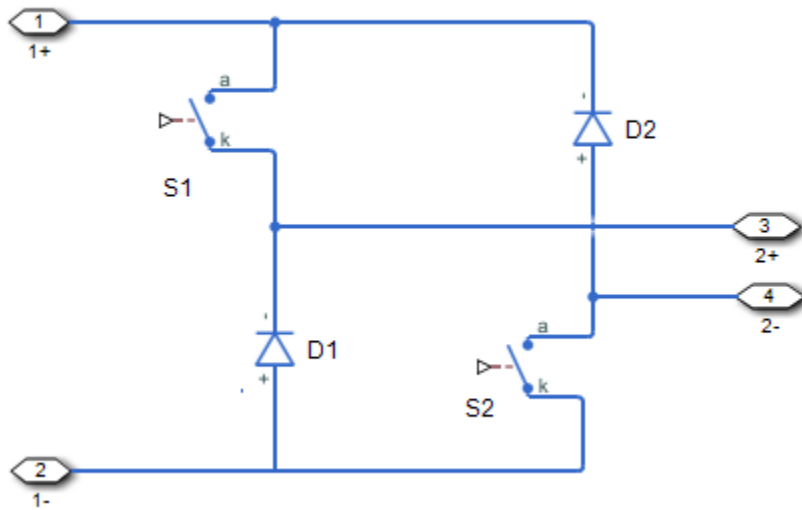
There are two model variants for the block. To access the model variants, in the model window, right-click the block. From the context menu, select **Simscape > Block choices**.

The model variants are:

- First- and second- quadrant chopper. This block choice is the default. The figures show the equivalent circuit and the operation for the first- and second- quadrant model.



- First- and fourth- quadrant chopper. The figures show the equivalent circuit and the operation for the first- and fourth- quadrant model.



Protection

The block contains an integral protection diode for each switching device. The integral diode protects the semiconductor device by providing a conduction path for reverse current. An inductive load can produce a high reverse-voltage spike when the semiconductor device suddenly switches off the voltage supply to the load.

To configure the internal protection diode block, use the **Diode** parameters. This table shows how to set the **Model dynamics** parameter based on your goals.

Goals	Value to Select	Integral Protection Diode
Prioritize simulation speed.	Diode with no dynamics	The Diode block
Prioritize model fidelity by precisely specifying reverse-mode charge dynamics.	Diode with charge dynamics	The dynamic model of the Diode block

You can also include a snubber circuit for each switching device. Snubber circuits contain a series-connected resistor and capacitor. They protect switching devices against high voltages that inductive loads produce when the device turns off the voltage supply to the load. Snubber circuits also prevent excessive rates of current change when a switching device turns on.

To include and configure a snubber circuit for each switching device, use the **Snubbers** parameters.

Gate Control

To connect Simulink gate-control voltage signals to the gate ports of the internal switching devices:

- 1 Convert each voltage signal using a Simulink-PS Converter block.
- 2 Multiplex the converted gate signals into a single vector using a Two-Pulse Gate Multiplexer block.
- 3 Connect the vector signal to the **G** port.

Ports

Conserving

G — Switching device gate control

electrical | vector

Electrical conserving port associated with the gate terminals of the switching devices.

Data Types: double

1+ — Positive DC voltage 1

electrical | scalar

Electrical conserving port associated with the positive terminal of the first DC voltage.

Data Types: double

1- — Negative DC voltage 1

electrical | scalar

Electrical conserving port associated with the negative terminal of the first DC voltage.

Data Types: double

2+ — Positive DC voltage 2

electrical | scalar

Electrical conserving port associated with the positive terminal of the second DC voltage.

Data Types: double

2- — Negative DC voltage 2

electrical | scalar

Electrical conserving port associated with the negative terminal of the second DC voltage.

Data Types: double

Parameters

Switching Devices

This table shows how the visibility of **Switching Devices** parameters depends on the **Switching device** that you select. To learn how to read the table, see “Parameter Dependencies” on page A-2.

Switching Devices Parameter Dependencies

Parameters and Options					
Switching device					
<i>Ideal Semiconductor Switch</i>	<i>GTO</i>	<i>IGBT</i>	<i>MOSFET</i>	<i>Thyristor</i>	<i>Averaged Switch</i>
On-state resistance	Forward voltage	Forward voltage	Drain-source on resistance	Forward voltage	On-state resistance
Off-state conductance	On-state resistance	On-state resistance	Off-state conductance	On-state resistance	
Threshold voltage	Off-state conductance	Off-state conductance	Threshold voltage	Off-state conductance	
	Gate trigger voltage, Vgt	Threshold voltage		Gate trigger voltage, Vgt	
	Gate turn-off voltage, Vgt_off			Gate turn-off voltage, Vgt_off	
	Holding current			Holding current	

Switching device — Switch type

Ideal Semiconductor Switch (default) | GTO | IGBT | MOSFET | Thyristor | Averaged Switch

Switching device type for the converter.

Dependencies

See the Switching Devices Parameter Dependencies table.

Forward voltage — Voltage

0.8 Ohm (default) | scalar

For the different switching device types, the **Forward voltage** is taken as:

- GTO — Minimum voltage required across the anode and cathode block ports for the gradient of the device I-V characteristic to be $1/R_{on}$, where R_{on} is the value of **On-state resistance**

- IGBT — Minimum voltage required across the collector and emitter block ports for the gradient of the diode I-V characteristic to be $1/R_{on}$, where R_{on} is the value of **On-state resistance**
- Thyristor — Minimum voltage required for the device to turn on

Dependencies

See the Switching Devices Parameter Dependencies table.

On-state resistance — Resistance

0.001 Ohm (default) | scalar

For the different switching device types, the **On-state resistance** is taken as:

- GTO — Rate of change of voltage versus current above the forward voltage
- Ideal semiconductor switch — Anode-cathode resistance when the device is on
- IGBT — Collector-emitter resistance when the device is on
- Thyristor — Anode-cathode resistance when the device is on
- Averaged switch — Anode-cathode resistance when the device is on

Dependencies

See the Switching Devices Parameter Dependencies table.

Drain-source on resistance — Resistance

0.001 Ohm (default) | scalar

Resistance between the drain and the source, which also depends on the gate-to-source voltage.

Dependencies

See the Switching Devices Parameter Dependencies table.

Off-state conductance — Conductance

1e-5 1/Ohm (default) | scalar

Conductance when the device is off. The value must be less than $1/R$, where R is the value of **On-state resistance**.

For the different switching device types, the **On-state resistance** is taken as:

- GTO — Anode-cathode conductance
- Ideal semiconductor switch — Anode-cathode conductance
- IGBT — Collector-emitter conductance
- MOSFET — Drain-source conductance
- Thyristor — Anode-cathode conductance

Dependencies

See the Switching Devices Parameter Dependencies table.

Threshold voltage — Voltage threshold

6 V (default) | scalar

Gate voltage threshold. The device turns on when the gate voltage is above this value. For the different switching device types, the device voltage of interest is:

- Ideal semiconductor switch — Gate-emitter voltage
- IGBT — Gate-cathode voltage
- MOSFET — Gate-source voltage

Dependencies

See the Switching Devices Parameter Dependencies table.

Gate trigger voltage, Vgt — Voltage threshold

1 V (default) | scalar

Gate-cathode voltage threshold. The device turns on when the gate-cathode voltage is above this value.

Dependencies

See the Switching Devices Parameter Dependencies table.

Gate turn-off voltage, Vgt_off — Voltage threshold

-1 V (default) | scalar

Gate-cathode voltage threshold. The device turns off when the gate-cathode voltage is below this value.

Dependencies

See the Switching Devices Parameter Dependencies table.

Holding current — Current threshold

1 A (default) | scalar

Gate current threshold. The device stays on when the current is above this value, even when the gate-cathode voltage falls below the gate trigger voltage.

Dependencies

See the Switching Devices Parameter Dependencies table.

Protection Diode

The visibility of **Diode** parameters depends on how you configure the protection diode **Model dynamics** and **Reverse recovery time parameterization** parameters. To learn how to read this table, see “Parameter Dependencies” on page A-2.

Protection Diode Parameter Dependencies

Parameters and Options			
Model dynamics			
<i>Diode with no dynamics</i>	<i>Diode with charge dynamics</i>		
Forward voltage	Forward voltage		
On resistance	On resistance		
Off conductance	Off conductance		
	Junction capacitance		
	Peak reverse current, iRM		
	Initial forward current when measuring iRM		
	Rate of change of current when measuring iRM		
	Reverse recovery time parameterization		
	<i>Specify stretch factor</i>	<i>Specify reverse recovery time directly</i>	<i>Specify reverse recovery charge</i>
Reverse recovery time stretch factor	Reverse recovery time, trr	Reverse recovery charge, Qrr	

Model dynamics – Diode model

Diode with no dynamics (default) | Diode with charge dynamics

Diode type. The options are:

- **Diode with no dynamics** — Select this option to prioritize simulation speed using the Diode block.
- **Diode with charge dynamics** — Select this option to prioritize model fidelity in terms of reverse mode charge dynamics using the commutation diode model of the Diode block.

Note If you select **Averaged Switch** for the **Switching Device** parameter in the **Switching Device** setting, this parameter is not visible and **Diode with no dynamics** is automatically selected.

Dependencies

See the Protection Diode Parameter Dependencies table.

Forward voltage – Voltage

0.8 V (default) | scalar

Minimum voltage required across the positive and negative block ports for the gradient of the diode I-V characteristic to be $1/R_{on}$, where R_{on} is the value of **On resistance**.

On resistance – Resistance

0.001 Ohm (default) | scalar

Rate of change of voltage versus current above the **Forward voltage**.

Off conductance – Conductance

1e-5 1/Ohm (default) | scalar

Conductance of the reverse-biased diode.

Junction capacitance – Capacitance

50 nF (default) | scalar

Diode junction capacitance.

Dependencies

See the Protection Diode Parameter Dependencies table.

Peak reverse current, i_{RM} – Current

-235 A (default) | scalar less than 0

Peak reverse current measured by an external test circuit.

Dependencies

See the Protection Diode Parameter Dependencies table.

Initial forward current when measuring i_{RM} – Current

300 A (default) | scalar greater than 0

Initial forward current when measuring peak reverse current. This value must be greater than zero.

Dependencies

See the Protection Diode Parameter Dependencies table.

Rate of change of current when measuring i_{RM} – Current change rate

-50 A/us (default) | scalar

Rate of change of current when measuring peak reverse current.

Dependencies

See the Protection Diode Parameter Dependencies table.

Reverse recovery time parameterization – Recovery-time model

Specify stretch factor (default) | Specify reverse recovery time directly | Specify reverse recovery charge

Model for parameterizing the recovery time. When you select `Specify stretch factor` or `Specify reverse recovery charge`, you can specify a value that the block uses to derive the reverse recovery time. For more information on these options, see “How the Block Calculates T_M and τ ” on page 1-374.

Dependencies

See the Protection Diode Parameter Dependencies table.

Reverse recovery time stretch factor – Stretch factor

3 (default) | scalar greater than 1

Value that the block uses to calculate **Reverse recovery time, τ_{rr}** . Specifying the stretch factor is an easier way to parameterize the reverse recovery time than specifying the reverse recovery charge.

The larger the value of the stretch factor, the longer it takes for the reverse recovery current to dissipate.

Dependencies

See the Protection Diode Parameter Dependencies table.

Reverse recovery time, t_{rr} – Time

15 us (default) | scalar

Interval between the time when the current initially goes to zero (when the diode turns off) and the time when the current falls to less than 10 percent of the peak reverse current.

The value of the **Reverse recovery time, t_{rr}** parameter must be greater than the value of the **Peak reverse current, i_{RM}** parameter divided by the value of the **Rate of change of current when measuring i_{RM}** parameter.

Dependencies

See the Protection Diode Parameter Dependencies table.

Reverse recovery charge, Q_{rr} – Charge

1500 s*uA (default) | scalar

Value that the block uses to calculate **Reverse recovery time, t_{rr}** . Use this parameter if the data sheet for your diode device specifies a value for the reverse recovery charge instead of a value for the reverse recovery time.

The reverse recovery charge is the total charge that continues to dissipate when the diode turns off.

The value must be less than $-\frac{i_{RM}^2}{2a}$,

where:

- i_{RM} is the value specified for **Peak reverse current, i_{RM}** .
- a is the value specified for **Rate of change of current when measuring i_{RM}** .

Dependencies

See the Protection Diode Parameter Dependencies table.

Snubbers

The **Snubbers** parameters tab is not visible if you set **Switching device** to Averaged Switch.

The table summarizes the **Snubbers** parameter dependencies. To learn how to read the table, see “Parameter Dependencies” on page A-2.

Snubbers Parameter Dependencies

Snubbers Parameter Dependencies	
Snubber	
None	<i>RC Snubber</i>
	Snubber resistance
	Snubber capacitance

Snubber – Snubber model

None (default) | RC snubber

Switching device snubber.

Dependencies

See the Snubbers Parameter Dependencies table.

Snubber resistance – Resistance

0.1 Ohm (default) | scalar

Resistance of the switching device snubber.

Dependencies

See the Snubbers Parameter Dependencies table.

Snubber capacitance – Capacitance

1e-7 (default) | F | scalar

Capacitance of the switching device snubber.

Dependencies

See the Snubbers Parameter Dependencies table.

References

[1] Trzynadlowski, A. M. *Introduction to Modern Power Electronics, 2nd Edition*. Hoboken, NJ: John Wiley & Sons Inc., 2010.

Extended Capabilities

C/C++ Code Generation

Generate C and C++ code using Simulink® Coder™.

See Also

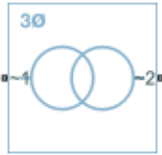
Average-Value Chopper | Four-Quadrant Chopper | One-Quadrant Chopper | Two-Pulse Gate Multiplexer

Introduced in R2018a

Two-Winding Transformer (Three-Phase)

Three-phase linear nonideal wye- and delta-configurable two-winding transformer with saturation capability

Library: Simscape / Electrical / Passive / Transformers



Description

The Two-Winding Transformer (Three-Phase) block represents a linear nonideal three-phase two-winding transformer that transfers electrical energy between two or more circuits through electromagnetic induction. The block includes linear winding leakage and linear core magnetization effects. You can parameterize the block impedance using per-unit values. The primary and secondary winding types, delta-wye phase angle, and core types are configurable.

The configuration options for both the primary and secondary windings are:

- Wye with floating neutral — Star or T configuration with Floating Neutral (Three-Phase)
- Wye with neutral port — Star or T configuration with Neutral Port (Three-Phase)
- Wye with grounded neutral — Star or T configuration with Grounded Neutral (Three-Phase)
- Delta 1 o'clock — Mesh configuration with a lagging 30 degree phase shift relative to the voltage of a connected wye configuration
- Delta 11 o'clock — Mesh configuration with leading 30 degree phase shift relative to the voltage of a connected wye configuration

Options for the core type are:

- Three-phase five-limb
- Three-phase three-limb

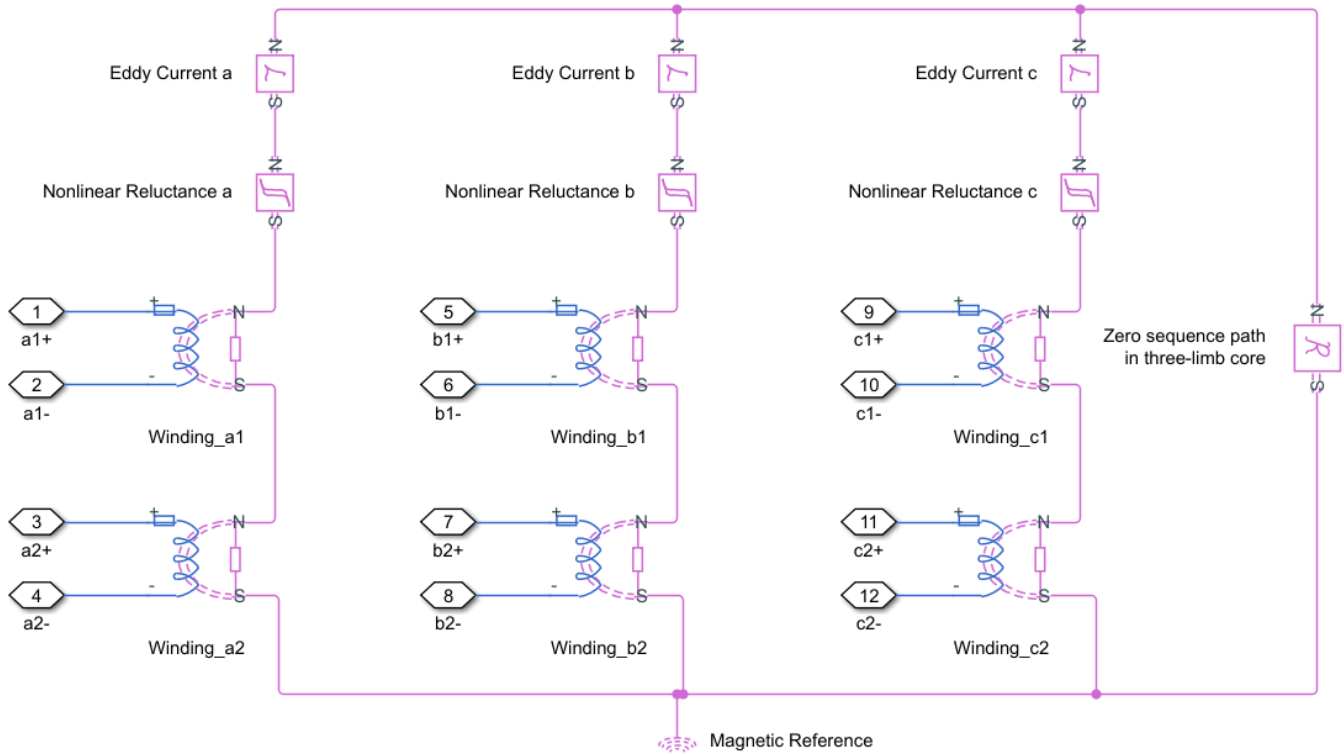
Although a three-limb core is typically less expensive, a five-limb core offers these advantages:

- Lower impedance for the zero-sequence component of current, that is between the line and neutral, in the case of an unbalanced load
- Greater heat dissipation

Equations

Three-Limb Core

This block is implemented in the magnetic domain using basic magnetic reluctances, windings, and eddy currents blocks.



It is important to determine the relation between the electrical domain parameters from the block mask and the magnetic domain parameters used in the model:

- n_1 is the number of the primary winding turns.
- n_2 is the number of the secondary winding turns.
- L_m is the shunt magnetizing inductance.
- L_0 is the zero-sequence inductance.
- L_p is the primary winding leakage inductance.
- L_s is the secondary winding leakage inductance.
- R_m is the shunt magnetizing resistance.
- R is the magnetizing reluctance between phases.

$$R = \frac{n_1^2}{L_m}$$

- R_0 is the zero sequence reluctance.

$$R_0 = \frac{1}{3} \frac{n_1^2}{L_0 - L_p}$$

- RL_1 is the primary winding leakage reluctance.

$$RL_1 = \frac{n_1^2}{L_p}$$

- RL_2 is the secondary winding leakage reluctance.

$$Rl_2 = \frac{n_2^2}{L_s}$$

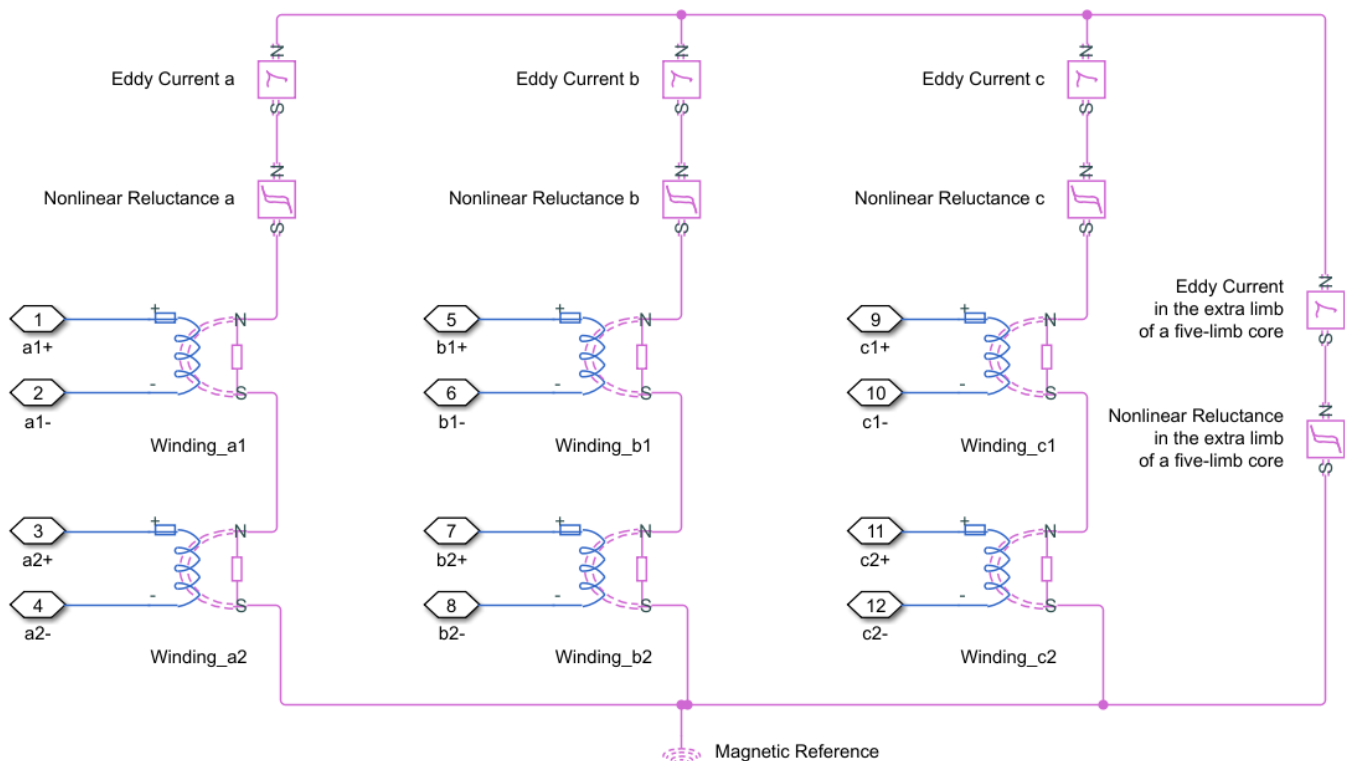
- L_{eddy} is the conductance of eddy current loop

$$L_{eddy} = \frac{n_1^2}{R_m}$$

For two-winding transformers (three-phase), the coupling between different windings in each phase is identical.

Five-Limb Core

In the case of a five-limb transformer, the extra magnetic flux paths provided by the extra limbs can be represented by zero sequence reluctances, which are originally designed for magnetic paths through the air in the three-limb transformer.



In a five-limb model, the magnetic reluctances from the phases to the extra limbs are supposed to be equal to the magnetic reluctances between phases.

$$R = R_0$$

Therefore we deduce:

$$R = R_0 = \frac{n_1^2}{L_m}$$

Display Options

You can display the transformer per-unit base values in the MATLAB command window using the block context menu. To display the values, right-click the block and select **Electrical > Display Base Values**.

Variables

Use the **Variables** settings to specify the priority and initial target values for the block variables before simulation. For more information, see “Set Priority and Initial Target for Block Variables”.

Ports

Conserving

~1 — Primary winding voltage

electrical

Expandable three-phase electrical conserving port associated with the three-phase, $[a1\ b1\ c1]$, voltage of winding 1.

n1 — Primary winding neutral point

electrical

Electrical conserving port associated with the primary winding neutral point.

Dependencies

This port is only visible when the **Main** parameter **Winding 1 connection type** is set to **Wye** with **neutral** port.

~2 — First secondary winding voltage

electrical

Expandable three-phase electrical conserving port associated with the three-phase, $[a2\ b2\ c2]$, voltage of the first secondary winding.

n2 — First secondary winding neutral point

electrical

Electrical conserving port associated with the first secondary winding neutral point.

Dependencies

This port is only visible when the **Main** parameter **Winding 2 connection type** is set to **Wye** with **neutral** port.

Parameters

Main

Rated apparent power — Apparent power at rated capacity

100e6 (default) | positive scalar

Apparent power flowing through the transformer when operating at rated capacity. The value must be greater than 0.

Rated electrical frequency – Connected network electrical frequency

60 (default) | positive scalar

Rated or nominal frequency of the AC network to which the transformer is connected. The value must be greater than 0.

Winding 1 connection type – Primary winding configuration

Wye with floating neutral (default) | Wye with neutral port | Wye with grounded neutral | Delta 1 o'clock | Delta 11 o'clock

Primary winding type.

Primary rated voltage – RMS line voltage applied to the primary winding

4160 (default) | positive scalar

RMS line voltage applied to the primary winding under normal operating conditions. The value must be greater than 0.

Winding 2 connection type – Secondary winding configuration

Wye with floating neutral (default) | Wye with neutral port | Wye with grounded neutral | Delta 1 o'clock | Delta 11 o'clock

Secondary winding type.

Secondary rated voltage – RMS line voltage applied to the secondary winding

24e3 (default) | positive scalar

RMS line voltage applied to the secondary winding under normal operating conditions. The value must be greater than 0.

Impedances

Core type – Number of limbs

Three-phase three-limb (default) | Three-phase five-limb

Number of limbs that comprise the magnetic circuit.

Primary winding resistance (pu) – Primary winding power loss

0.01 (default) | positive scalar

Per-unit power loss in the primary winding. The value must be greater than 0.

Primary leakage reactance (pu) – Primary winding magnetic flux loss

0.001 (default) | positive scalar

Per-unit magnetic flux loss in the primary winding. The value must be greater than 0.

Secondary winding resistance (pu) – Secondary winding power loss

0.01 (default) | positive scalar

Per-unit power loss in the secondary winding. The value must be greater than 0.

Secondary leakage reactance (pu) – Secondary winding magnetic flux loss

0.001 (default) | positive scalar

Per-unit magnetic flux loss in the secondary winding. The value must be greater than 0.

Shunt magnetizing resistance (pu) – Transformer core magnetic losses

500 (default) | positive scalar

Per-unit magnetic losses in the transformer core. The value must be greater than 0.

Magnetic saturation representation – Representation of the magnetic saturation

None (default) | Lookup table (phi versus i)

Choose if and how you want to represent the magnetic saturation.

Current vector (pu), i – Per unit vector of currents

[0, .002, 1, 2] (default)

Per unit vector of currents. The first value must be 0. This parameter must be strictly ascending.

Dependencies

This parameter is visible only when you set the **Magnetic saturation representation** parameter to Lookup table (phi versus i).

Magnetic flux vector (pu), phi – Per unit vector of magnetic flux

[0, 1.2, 1.5, 1.51] (default)

Per unit vector of magnetic flux. The first value must be 0. This parameter must be strictly ascending.

Dependencies

This parameter is visible only when you set the **Magnetic saturation representation** parameter to Lookup table (phi versus i).

Shunt magnetizing reactance (pu) – Transformer core magnetic effects

500 (default) | positive scalar

Per-unit magnetic effects of the transformer core when operating in its linear region. The value must be greater than 0.

Dependencies

This parameter is visible only when you set the **Magnetic saturation representation** parameter to None.

Zero sequence reactance (pu) – Zero sequence reactance

0.5 (default) | positive scalar

Per-unit zero sequence reactance. The value must be greater than or equal to the primary winding magnetic flux loss.

Dependencies

This parameter is only visible when **Core type**, a **Main** parameter, is set to Three-phase three-limb.

Extended Capabilities

C/C++ Code Generation

Generate C and C++ code using Simulink® Coder™.

See Also

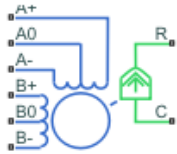
Earthing Transformer | Ideal Transformer | Nonlinear Transformer | Tap-Changing Transformer | Three-Winding Transformer (Three-Phase) | Zigzag-Delta-Wye Transformer

Introduced in R2019a

Unipolar Stepper Motor

Stepper motor with center taps on two-phase windings

Library: Simscape / Electrical / Electromechanical / Reluctance & Stepper



Description

The Unipolar Stepper Motor block represents a stepper motor that has center taps on the two phase windings. The winding currents and mechanical output are defined by the following equations:

$$e_{A+} = -K_m \omega \sin(N_r \theta)$$

$$e_{A-} = K_m \omega \sin(N_r \theta)$$

$$e_{B+} = K_m \omega \cos(N_r \theta)$$

$$e_{B-} = -K_m \omega \cos(N_r \theta)$$

$$\frac{di_{A+}}{dt} = (v_{A+} - R i_{A+} - e_{A+})/L$$

$$\frac{di_{A-}}{dt} = (v_{A-} - R i_{A-} - e_{A-})/L$$

$$\frac{di_{B+}}{dt} = (v_{B+} - R i_{B+} - e_{B+})/L$$

$$\frac{di_{B-}}{dt} = (v_{B-} - R i_{B-} - e_{B-})/L$$

$$J \frac{d\omega}{dt} + B\omega = T_e$$

$$T_e = -K_m \left(i_{A+} - i_{A-} - \frac{e_{A+} - e_{A-}}{R_m} \right) \sin(N_r \theta) + K_m \left(i_{B+} - i_{B-} - \frac{e_{B+} - e_{B-}}{R_m} \right) \cos(N_r \theta)$$

$$-T_d \sin(4N_r \theta)$$

$$\frac{d\theta}{dt} = \omega$$

where:

- e_{A+} is the back emf induced across the **A+** to **A0** half-winding.

- e_{A-} is the back emf induced across the **A-** to **A0** half-winding.
- e_{B+} is the back emf induced across the **B+** to **B0** half-winding.
- e_{B-} is the back emf induced across the **B-** to **B0** half-winding.
- i_{A+} is the current flowing from the **A+** port to the **A0** center tap port.
- i_{A-} is the current flowing from the **A-** port to the **A0** center tap port.
- i_{B+} is the current flowing from the **B+** port to the **B0** center tap port.
- i_{B-} is the current flowing from the **B-** port to the **B0** center tap port.
- v_{A+} is the voltage at the **A+** port relative to the **A0** center tap port.
- v_{A-} is the voltage at the **A-** port relative to the **A0** center tap port.
- v_{B+} is the voltage at the **B+** port relative to the **B0** center tap port.
- v_{B-} is the voltage at the **B-** port relative to the **B0** center tap port.
- K_m is the motor torque constant.
- N_r is the number of teeth on each of the two rotor poles. The **Full step size** parameter is $(\pi/2)/N_r$.
- R is the half-winding resistance. For example, it is the resistance between **A+** and **A0** ports.
- L is the half-winding inductance. For example, it is the inductance between **A+** and **A0** ports.
- R_m is the magnetizing resistance.
- B is the rotational damping.
- J is the inertia.
- ω is the rotor speed.
- θ is the rotor angle.
- T_d is the detent torque amplitude.
- T_e is the electrical torque.

If the initial rotor is zero or some multiple of $(\pi/2)/N_r$, the rotor is aligned with the A-phase winding. If a positive current flows from the **A+** port to the **A0** center tap port, then the stepper acts to stay aligned with the A-phase. Equivalently, a positive current flowing from the **A0** center tap port to the **A-** port also acts on the rotor to stay aligned with the A-phase.

The Unipolar Stepper Motor block produces a positive torque acting from the mechanical C to R ports for either of the following sequences. Both sequences assume the rotor initial angle is zero or some multiple of $(\pi/2)/N_r$.

Sequence	Center taps connected to ground	Center taps connected to positive supply
1	Positive current from A+ to A0	Positive current from A0 to A-
2	Positive current from B+ to B0	Positive current from B0 to B-
3	Positive current from A- to A0	Positive current from A0 to A+
4	Positive current from B- to B0	Positive current from B0 to B+

Averaged Mode

If you set the **Simulation mode** parameter to Averaged, both for a Unipolar Stepper Motor block and for the Unipolar Stepper Motor Driver block that controls it, then the individual steps are not simulated. This can be a good way to speed up simulation. In Averaged mode, under non-slipping

conditions, the motor and driver are represented by a second-order linear system that tracks the specified step rate. The demanded step rate is determined directly from voltage across **A+** and **A-**. So, for example, a voltage of +10V across the **A+** and **A-** terminals is interpreted as a step rate demand of ten steps per second. See the Unipolar Stepper Motor Driver reference page for more information on how to connect the Unipolar Stepper Motor Driver to your step angle controller.

Averaged mode includes a slip estimator to predict whether the stepper motor would have slipped if running in Stepping simulation mode. Slip is predicted if the motor torque exceeds the **Vector of maximum torque values** parameter value for longer than one step period, the step period being determined from the current step rate demand. Upon detecting slip, the simulation will proceed or stop with an error, according to the **Action on slipping** parameter value. If you choose the action that lets the simulation continue, note that simulation results may be incorrect: when slipping occurs, the torque generated by the motor will not generally be the maximum available torque; the maximum torque is only achieved if the stepper controller detects slip and adjusts the step rate command accordingly.

The dynamics of the equivalent second-order system are determined from the values that you specify for the **Approximate total load inertia** and **Maximum step rate command** parameters. It is important that you set as accurate values as possible for these parameters, so that the step rate command is tracked, and the block does not generate false slipping warnings or errors.

If you run the motor in Averaged mode with the optional thermal ports exposed (see “Thermal Ports” on page 1-2152), then heat is added to the thermal ports assuming that the windings are always powered, even when the step rate command is zero. The block makes adjustments for half stepping and for reduced torque (and winding currents) at higher speeds. For these adjustments to be correct, the **Vector of maximum torque** parameter values must be correct. For half stepping, at zero speed the heat generated by the block is the average of that generated when stopped at a half step and at a full step.

If you simulate or predict slip, MathWorks recommends that you do some validation runs comparing Stepping and Averaged modes before using the averaged model representation for simulation studies.

Thermal Ports

The block has five optional thermal ports, one for each of the four half-windings and one for the rotor. These ports are hidden by default. To expose the thermal ports, right-click the block in your model, and then from the context menu select **Simscape > Block choices > Show thermal port**. This action displays the thermal ports on the block icon, and exposes the **Temperature Dependence** and **Thermal Port** parameters. These parameters are described further on this reference page.

Use the thermal ports to simulate the effects of copper resistance and iron losses that convert electrical power to heat. For more information on using thermal ports in actuator blocks, see “Simulating Thermal Effects in Rotational and Translational Actuators”.

Assumptions and Limitations

- The model neglects magnetic saturation effects and any magnetic coupling between phases.
- When you select the **Start simulation from steady state** check box in the Simscape Solver Configuration block, this block will not initialize an **Initial rotor angle** value between $-\pi$ and π .
- All four half-windings are assumed to be identical, and therefore have the same resistance temperature coefficient, alpha, and the same thermal mass.
- To use Averaged mode, the Unipolar Stepper Motor block must be directly connected to a Unipolar Stepper Motor Driver block also running in Averaged mode.

- The Averaged mode is an approximation, and exact step tracking compared to the Stepping mode should not be expected.
- Slip detection in Averaged mode is approximate, and depends on a good estimate for load inertia and maximum step rate. Incorrect values may result in false slip detection.
- When simulating slip in Averaged mode, it is assumed that the stepper motor controller adjusts the step rate command so as to achieve maximum possible torque.

Ports

Conserving

A+ — Top A-phase electrical connection

electrical

Electrical conserving port associated with the top A-phase electrical connection.

A0 — A-phase center tap connection

electrical

Electrical conserving port associated with the A-phase center tap connection.

A- — Lower A-phase electrical connection

electrical

Electrical conserving port associated with the lower A-phase electrical connection.

B+ — Top B-phase electrical connection

electrical

Electrical conserving port associated with the top B-phase electrical connection.

B0 — B-phase center tap connection

electrical

Electrical conserving port associated with the B-phase center tap connection.

B- — Lower B-phase electrical connection

electrical

Electrical conserving port associated with the lower B-phase electrical connection.

C — Case

mechanical

Mechanical rotational conserving port associated with the case.

R — Rotor

mechanical

Mechanical rotational conserving port associated with the rotor.

HA+ — Thermal port for winding between A+ and A0

thermal

Thermal port for winding between **A+** and **A0**. For more information, see “Thermal Ports” on page 1-2152.

HA- — Thermal port for winding between A- and A0

thermal

Thermal port for winding between **A-** and **A0**. For more information, see “Thermal Ports” on page 1-2152.

HB+ — Thermal port for winding between B+ and B0

thermal

Thermal port for winding between **B+** and **B0**. For more information, see “Thermal Ports” on page 1-2152.

HB- — Thermal port for winding between B- and B0

thermal

Thermal port for winding between **B-** and **B**. For more information, see “Thermal Ports” on page 1-2152.

HR — Rotor thermal port

thermal

Thermal port for rotor. For more information, see “Thermal Ports” on page 1-2152.

Parameters

Electrical Torque

Simulation mode — Simulation mode

Stepping (default) | Averaged

Select **Stepping** or **Averaged**. Use **Averaged** only if the block is connected directly to a Unipolar Stepper Motor Driver block also running in **Averaged** mode.

Vector of rotational speeds — Vector of rotational speeds

[0, 1000, 3000] rpm (default)

Vector of rotational speeds at which to define maximum torque values, for slip prediction.

Dependencies

This parameter is visible only when you set the **Simulation mode** parameter to **Averaged**.

Vector of maximum torque values — Vector of maximum torque values

[2, 2, 1] N*m (default)

Vector of maximum torque values, to be used for slip prediction in conjunction with the **Vector of rotational speeds** parameter. The maximum torque values are often given on a datasheet, and should correspond to the supply voltage and stepping type (half step or full step) specified in the driver.

Dependencies

This parameter is visible only when you set the **Simulation mode** parameter to **Averaged**.

Action on slipping – Action upon detecting slip

none (default) | warn | error

Select the action for the block to perform during simulation upon detecting slip:

- **none** — Continue simulation, limiting the load torque according to the **Vector of maximum torque values**.
- **warn** — Continue simulation, limiting the load torque according to the **Vector of maximum torque values**, and generate a warning that the rotor is slipping.
- **error** — Stop the simulation and generate an error message that the rotor is slipping.

Note that if you choose an action that lets the simulation continue, simulation results may be incorrect: when slipping occurs, the torque generated by the motor will not generally be the maximum available torque; the maximum torque is only achieved if the stepper controller detects slip and adjusts the step rate command accordingly.

Dependencies

This parameter is visible only when you set the **Simulation mode** parameter to Averaged.

Approximate total load inertia – Approximate total load inertia1e-4 kg*m² (default)

The approximate total load inertia, including the rotor inertia. This value is used to help predict when slipping will occur due to rapid acceleration demands.

Dependencies

This parameter is visible only when you set the **Simulation mode** parameter to Averaged.

Maximum step rate command – Maximum step rate command

10 Hz (default)

The maximum step rate that your system will command. It is used to determine a suitable bandwidth for the second order system approximation to the stepper motor and driver.

Dependencies

This parameter is visible only when you set the **Simulation mode** parameter to Averaged.

Half-winding resistance – Half-winding resistance

0.55 Ohm (default)

Half of the resistance of the A and B phase windings as measured between the **A+** and **A-**, and the **B+** and **B-** ports.

Dependencies

This parameter is visible only when you set the **Simulation mode** parameter to Stepping.

Half-winding inductance – Half-winding inductance

1.5e-3 H (default)

Half of the inductance of the A and B phase windings as measured between the **A+** and **A-**, and the **B+** and **B-** ports.

Dependencies

This parameter is visible only when you set the **Simulation mode** parameter to Stepping.

Motor torque constant – Motor torque constant

0.19 N*m/A (default)

Motor torque constant K_m .

Dependencies

This parameter is visible only when you set the **Simulation mode** parameter to Stepping.

Detent torque – Detent torque

0 N*m (default)

The amplitude of the sinusoidal torque variation observed when rotating the shaft of the unpowered motor.

Dependencies

This parameter is visible only when you set the **Simulation mode** parameter to Stepping.

Magnetizing resistance – Magnetizing resistance

inf Ohm (default) | positive scalar

The total magnetizing resistance seen from each of the phase windings, for example across **A+** and **A0**. The value must be greater than zero. The default value is Inf, which implies that there are no iron losses.

Dependencies

This parameter is visible only when you set the **Simulation mode** parameter to Stepping.

Full step size – Full step size

1.8 deg (default)

Step size when changing the polarity of either the A or B phase current. The default value is 1.8°.

Coefficient of coupling – Coefficient of coupling for mutual inductance

0 (default)

Coefficient of coupling of the windings for mutual inductance.

Mechanical**Rotor inertia – Rotor inertia**

4.5e-5 kg*m² (default)

Resistance of the rotor to change in motor motion. The value can be zero.

Rotor damping – Rotor damping

8.0e-4 N*m/(rad/s) (default)

Energy dissipated by the rotor. The value can be zero.

Initial rotor speed – Initial rotor speed

0 rpm (default)

Speed of the rotor at the start of the simulation.

Initial rotor angle – Initial rotor angle

0 deg (default)

Angle of the rotor at the start of the simulation.

Temperature Dependence

This tab appears only for blocks with exposed thermal ports. For more information, see “Thermal Ports” on page 1-2152.

Resistance temperature coefficient – Resistance temperature coefficient

$3.93e-3$ 1/K (default)

Parameter α in the equation defining resistance as a function of temperature, as described in “Thermal Model for Actuator Blocks”. It is assumed that all windings are made of the same material, and therefore have the same resistance temperature coefficient.

Dependencies

This parameter is visible only when you set the **Simulation mode** parameter in the **Electrical Torque** setting to Stepping.

Measurement temperature – Measurement temperature

25 degC (default)

The temperature for which motor parameters are defined.

Vector of maximum torque values at second measurement temperature – Vector of maximum torque values at second measurement temperature

[1.7, 1.7, .85] N*m (default)

Vector of maximum torque values at second measurement temperature.

Dependencies

This parameter is visible only when you set the **Simulation mode** parameter in the **Electrical Torque** setting to Averaged.

Second measurement temperature – Second measurement temperature

125 degC (default)

Second measurement temperature.

Dependencies

This parameter is visible only when you set the **Simulation mode** parameter in the **Electrical Torque** setting to Averaged.

Stepping mode – Stepping mode

Full stepping (default) | Half stepping

Specify stepping mode.

Dependencies

This parameter is visible only when you set the **Simulation mode** parameter in the **Electrical Torque** setting to Averaged.

Thermal Port

This tab appears only for blocks with exposed thermal ports. For more information, see “Thermal Ports” on page 1-2152.

Half-winding thermal mass – Half-winding thermal mass

100 J/K (default)

The thermal mass for half of either the A or B winding. The thermal mass is the energy required to raise the temperature by one degree. It is assumed that all four half-windings have the same thermal mass.

Half-winding initial temperatures, [T_A+ T_A- T_B+ T_B-] – Half-winding initial temperatures

[25, 25, 25, 25] degC (default)

A 1 by 4 row vector defining the temperature of the four half-windings at the start of simulation.

Rotor thermal mass – Rotor thermal mass

50 J/K (default)

The thermal mass of the rotor, that is, the energy required to raise the temperature of the rotor by one degree.

Rotor initial temperature – Rotor initial temperature

25 degC (default)

The temperature of the rotor at the start of simulation.

Percentage of magnetizing resistance associated with the rotor – Percentage of magnetizing resistance associated with the rotor

90 (default)

The percentage of the magnetizing resistance associated with the magnetic path through the rotor. It determines how much of the iron loss heating is attributed to the rotor thermal port HR, and how much is attributed to the four winding thermal ports.

References

- [1] M. Bodson, J. N. Chiasson, R. T. Novotnak and R. B. Rekowski. “High-Performance Nonlinear Feedback Control of a Permanent Magnet Stepper Motor.” IEEE Transactions on Control Systems Technology, Vol. 1, No. 1, March 1993.
- [2] P. P. Acarnley. *Stepping Motors: A Guide to Modern Theory and Practice*. New York: Peregrinus, 1982.
- [3] S.E. Lyshevski. *Electromechanical Systems, Electric Machines, and Applied Mechatronics*. CRC, 1999.

Extended Capabilities

C/C++ Code Generation

Generate C and C++ code using Simulink® Coder™.

See Also

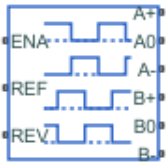
Stepper Motor | Unipolar Stepper Motor Driver

Introduced in R2012b

Unipolar Stepper Motor Driver

Driver for unipolar stepper motor

Library: Simscape / Electrical / Electromechanical / Reluctance & Stepper



Description

The Unipolar Stepper Motor Driver block represents a driver specifically configured for use with the Unipolar Stepper Motor block. It connects the two winding center-tap connections A0 and B0 to the positive supply with a voltage equal to the value you provide for the **Output voltage amplitude** parameter. The **A+**, **A-**, **B+**, and **B-** ports are grounded in the appropriate sequence to create the stepping motion. The block initiates a step each time the voltage at the **ENA** port rises above the **Enable threshold voltage** parameter value.

If the voltage at the **REV** port is less than or equal to the **Reverse threshold voltage** parameter value, pulse *A* leads pulse *B* by 90 degrees. If the voltage at the **REV** port is greater than the **Reverse threshold voltage** value, pulse *B* leads pulse *A* by 90 degrees and the motor direction is reversed.

At time zero, **A-** and **B+** are grounded.

If you set the **Stepping mode** parameter to **Half stepping**, the Unipolar Stepper Motor Driver block can produce the output waveforms required for half stepping. In this mode, there is an intermediate state between the full steps, in which just one of the *A* or the *B* half-windings is powered. As a result, the step size is half of the stepper motor's full step size. At half steps, windings that are not powered are short-circuited. This approximates the effect of a freewheeling diode connected across the windings.

Averaged Mode

If you set the **Simulation mode** parameter to **Averaged**, both for a Unipolar Stepper Motor Driver block and for the Unipolar Stepper Motor block connected to it, then the individual steps are not simulated. This can be a good way to speed up simulation. The **Averaged** mode assumes that the external controller provides a step rate demand. This step rate demand is determined from the voltage applied between the **ENA** and **REF** ports on the Unipolar Stepper Motor Driver block, by multiplying this voltage by the value of the **Step rate sensitivity** parameter. The rotation direction is set by the **REV** port in the same way as for the Stepping mode.

Averaged mode needs to communicate the step rate demand and also output voltage amplitude information to the Unipolar Stepper Motor block. To do this, the step rate demand is applied as an equivalent voltage across the **A+** and **A-** ports. Similarly the output voltage amplitude information is conveyed by applying a steady-state voltage across the **B+** and **B-** ports with value equal to the **Output voltage amplitude** parameter.

Assumptions and Limitations

- To use Averaged mode, the Unipolar Stepper Motor Driver block must be directly connected to a Unipolar Stepper Motor block also running in Averaged mode.
- When changing from Stepping to Averaged mode and back, you will need to modify your upstream blocks that provide the input voltages to the Unipolar Stepper Motor Driver. One way to achieve this easily is to use Simulink variant subsystems.

Ports

Conserving

A+ — Top A-phase electrical connection

electrical

Electrical conserving port associated with the top A-phase electrical connection.

A0 — A-phase center tap connection

electrical

Electrical conserving port associated with the A-phase center tap connection.

A- — Lower A-phase electrical connection

electrical

Electrical conserving port associated with the lower A-phase electrical connection.

B+ — Top B-phase electrical connection

electrical

Electrical conserving port associated with the top B-phase electrical connection.

B0 — B-phase center tap connection

electrical

Electrical conserving port associated with the B-phase center tap connection.

B- — Lower B-phase electrical connection

electrical

Electrical conserving port associated with the lower B-phase electrical connection.

ENA — Triggering input step voltage

electrical

Electrical conserving port associated with the triggering input step voltage.

REF — Rotor

electrical

Electrical conserving port associated with the input floating reference voltage.

REV — Motor direction control voltage

electrical

Electrical conserving port associated with the voltage that controls motor direction.

Parameters

Simulation mode — Simulation mode

Stepping (default) | Averaged

Select **Stepping** or **Averaged**. Use **Averaged** only if the block is connected directly to a Unipolar Stepper Motor block also running in **Averaged** mode.

Step rate sensitivity — Step rate sensitivity

10 Hz/V (default)

This parameter converts the voltage presented across the **ENA** and **REF** ports into a step rate demand.

Dependencies

This parameter is visible only when you set the **Simulation mode** parameter to **Averaged**.

Enable threshold voltage — Enable threshold voltage

2.5 V (default)

When the voltage at the **ENA** port rises above this threshold, the Unipolar Stepper Motor Driver block initiates a step.

Dependencies

This parameter is visible only when you set the **Simulation mode** parameter to **Stepping**.

Reverse threshold voltage — Reverse threshold voltage

2.5 V (default)

When the voltage at the **REV** port rises above this threshold, pulse *B* leads pulse *A* by 90 degrees, and the motor direction is reversed.

Output voltage amplitude — Output voltage amplitude

10 V (default)

Amplitude of the output pulse trains.

Stepping mode — Stepping mode

Full stepping (default) | Half stepping

Select **Full stepping** or **Half stepping**.

Extended Capabilities

C/C++ Code Generation

Generate C and C++ code using Simulink® Coder™.

See Also

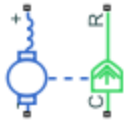
Controlled PWM Voltage | Unipolar Stepper Motor

Introduced in R2014a

Universal Motor

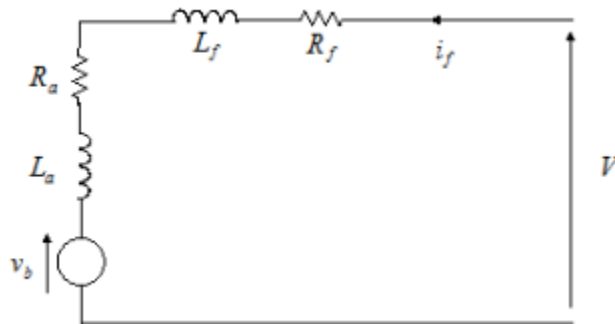
Universal (or series) motor with electrical and torque characteristics

Library: Simscape / Electrical / Electromechanical / Brushed Motors



Description

The Universal Motor block represents the electrical and torque characteristics of a universal (or series) motor using the following equivalent circuit model.



Where:

- R_a is the armature resistance.
- L_a is the armature inductance.
- R_f is the field winding resistance.
- L_f is the field winding inductance.

When you set the **Model parameterization** parameter to **By equivalent circuit parameters**, you specify the equivalent circuit parameters for this model. The Universal Motor block computes the motor torque as follows:

- 1 The magnetic field in the motor induces the following back emf v_b in the armature:

$$v_b = L_{af} i_f \omega$$

where L_{af} is a constant of proportionality and ω is the angular velocity.

- 2 The mechanical power is equal to the power reacted by the back emf:

$$P = v_b i_f = L_{af} i_f^2 \omega$$

- 3 The motor torque is:

$$T = P/\omega = L_{af} i_f^2$$

The torque-speed characteristic for the Universal Motor block model is related to the parameters in the preceding figure. When you set the **Model parameterization** parameter to By DC rated power, rated speed & maximum torque or By DC rated power, rated speed & electrical power, the block solves for the equivalent circuit parameters as follows:

- 1 For the steady-state torque-speed relationship when using a DC supply, L has no effect.
- 2 Sum the voltages around the loop:

$$V = (R_f + R_a)i_f + v_b = (R_f + R_a + L_{af}\omega)i_f$$

- 3 Solve the preceding equation for i_f and substitute this value into the equation for torque:

$$T = L_{af} \left(\frac{V}{R_f + R_a + L_{af}\omega} \right)^2$$

The block uses the rated speed and power to calculate the rated torque. The block uses the rated torque and rated speed values in the preceding equation plus the corresponding electrical power to determine values for R_f+R_a and L_{af} .

When you set the **Model parameterization** parameter to By AC rated power, rated speed, current & electrical power, then the block must include the inductive terms L_a and L_f in the model. This requires information about the RMS rated current and voltage for the total inductance.

The block models motor inertia J and damping B for all values of the **Model parameterization** parameter. The output torque is:

$$T_{load} = L_{af} \left(\frac{V}{R_f + R_a + L_{af}\omega} \right)^2 - J\dot{\omega} - B\omega$$

The block produces a positive torque acting from the mechanical C to R ports.

Thermal Ports

The block has two optional thermal ports, one per winding, hidden by default. To expose the thermal ports, right-click the block in your model, and then from the context menu select **Simscape > Block choices > Show thermal port**. This action displays the thermal ports on the block icon, and exposes the **Temperature Dependence** and **Thermal Port** parameters. These parameters are described further on this reference page.

Use the thermal ports to simulate the effects of copper resistance losses that convert electrical power to heat. For more information on using thermal ports in actuator blocks, see "Simulating Thermal Effects in Rotational and Translational Actuators".

Ports

Conserving

+ – **Positive terminal**
electrical

Electrical conserving port associated with the universal motor positive terminal.

- – **Negative terminal**
electrical

Electrical conserving port associated with the universal motor negative terminal.

C – Motor case

mechanical

Mechanical rotational conserving port associated with the universal motor case.

R – Motor rotor

mechanical

Mechanical rotational conserving port associated with the universal motor rotor.

Hf – Field winding thermal port

thermal

Field winding thermal port. For more information, see “Thermal Ports” on page 1-2165.

Ha – Armature winding thermal port

thermal

Armature winding thermal port. For more information, see “Thermal Ports” on page 1-2165.

Parameters**Electrical Torque****Model parameterization – Block parameterization**

By DC rated power, rated speed & maximum torque (default) | By equivalent circuit parameters | By DC rated power, rated speed & electrical power | By AC rated power, rated speed, current & electrical power

Select one of the following methods for block parameterization:

- By equivalent circuit parameters — Provide electrical parameters for an equivalent circuit model of the motor.
- By DC rated power, rated speed & maximum torque — Provide DC power and speed parameters that the block converts to an equivalent circuit model of the motor.
- By DC rated power, rated speed & electrical power — Provide AC power and speed parameters that the block converts to an equivalent circuit model of the motor.
- By AC rated power, rated speed, current & electrical power — Provide AC power and speed parameters that the block converts to an equivalent circuit model of the motor.

Total armature and field winding resistance – Total resistance of the armature and field winding

132.8 Ohm (default)

Total resistance of the armature and field winding.

Dependencies

This parameter is visible only when you set the **Model parameterization** parameter to By equivalent circuit parameters.

Back-emf constant — Back-emf constant

0.1722 s*V/rad/A (default)

The ratio of the voltage generated by the motor to the motor speed.

Dependencies

This parameter is visible only when you set the **Model parameterization** parameter to By equivalent circuit parameters.

Total armature and field winding inductance — Total armature and field winding inductance

0.525 H (default)

Total inductance of the armature and field winding. If you do not have information about this inductance, set the value of this parameter to a small, nonzero number.

Note You can set the **Total armature and field winding inductance** value to zero, but this only makes sense if you are driving the motor with a DC source.

Dependencies

This parameter is visible only when you set the **Model parameterization** parameter to By equivalent circuit parameters, By DC rated power, rated speed & maximum torque, or By DC rated power, rated speed & electrical power.

Rated speed (at rated load) — Rated speed

6500 rpm (default)

Motor speed at the rated mechanical load.

Dependencies

This parameter is visible only when you set the **Model parameterization** parameter to By DC rated power, rated speed & maximum torque, By DC rated power, rated speed & electrical power, or By AC rated power, rated speed, current & electrical power.

Rated load (mechanical power) — Rated load

75 W (default)

The mechanical load for which the motor is rated to operate.

Dependencies

This parameter is visible only when you set the **Model parameterization** parameter to By DC rated power, rated speed & maximum torque, By DC rated power, rated speed & electrical power, or By AC rated power, rated speed, current & electrical power.

Rated DC supply voltage — Rated DC supply voltage

200 V (default)

The DC voltage at which the motor is rated to operate.

Dependencies

This parameter is visible only when you set the **Model parameterization** parameter to By DC rated power, rated speed & maximum torque or By DC rated power, rated speed & electrical power.

Maximum (starting) torque – Maximum torque

0.39 N*m (default)

Maximum torque the motor produces.

Dependencies

This parameter is visible only when you set the **Model parameterization** parameter to By DC rated power, rated speed & maximum torque.

Electrical power in at rated load – Electrical power at the rated mechanical power

160 W (default)

The amount of electrical power the motor uses at the rated mechanical power.

Dependencies

This parameter is visible only when you set the **Model parameterization** parameter to By DC rated power, rated speed & electrical power or By AC rated power, rated speed, current & electrical power.

RMS rated voltage – RMS rated voltage

240 V (default)

RMS supply voltage when the motor operates on AC power.

Dependencies

This parameter is visible only when you set the **Model parameterization** parameter to By AC rated power, rated speed, current & electrical power.

RMS current at rated load – RMS current at rated load

0.8 A (default)

RMS current when the motor operates on AC power at the rated load.

Dependencies

This parameter is visible only when you set the **Model parameterization** parameter to By AC rated power, rated speed, current & electrical power.

AC frequency – AC frequency

50 Hz (default)

Frequency of the AC supply voltage.

Dependencies

This parameter is visible only when you set the **Model parameterization** parameter to By AC rated power, rated speed, current & electrical power.

Mechanical

Rotor inertia — Rotor inertia

2e-4 kg*m² (default)

Resistance of the rotor to change in motor motion. The value can be zero.

Rotor damping — Rotor dissipated energy

1e-6 N*m/(rad/s) (default)

Energy dissipated by the rotor. The value can be zero.

Initial rotor speed — Initial rotor speed

0 rpm (default)

Speed of the rotor at the start of the simulation.

Temperature Dependence

This tab appears only for blocks with exposed thermal ports. For more information, see “Thermal Ports” on page 1-2165.

Field to armature resistance ratio, R_f/R_a — Stator and rotor resistance temperature coefficients

1 (default)

The ratio of the field to the armature resistance. This parameter is required only when showing the field and armature thermal ports. It is used to determine individual resistance values for the field and armature windings so that the thermal heat generated by the two resistors can be apportioned correctly.

Resistance temperature coefficients, [alpha_f alpha_a] — Stator and rotor resistance temperature coefficients

[.00393, .00393] 1/K (default)

A 1 by 2 row vector that defines the coefficient α in the equation relating resistance to temperature, as described in “Thermal Model for Actuator Blocks”. The first element corresponds to the field winding, and the second to the armature. The default value is for copper.

Measurement temperature — Measurement temperature

25 C (default)

The temperature for which motor parameters are defined.

Thermal Port

This tab appears only for blocks with exposed thermal ports. For more information, see “Thermal Ports” on page 1-2165.

Thermal masses, [M_f M_a] — Thermal masses

[100, 100] J/K (default)

A 1 by 2 row vector that defines the thermal mass for the field and armature windings. The thermal mass is the energy required to raise the temperature by one degree.

Initial temperatures – Initial temperatures

[25, 25] C (default)

A 1 by 2 row vector that defines the temperature of the field and armature thermal ports at the start of simulation.

References

[1] Bolton, W. *Mechatronics: Electronic Control Systems in Mechanical and Electrical Engineering*, 3rd edition Pearson Education, 2004..

Extended Capabilities

C/C++ Code Generation

Generate C and C++ code using Simulink® Coder™.

See Also

DC Motor | Induction Machine (Single-Phase) | Shunt Motor | Simplified PMSM Drive

Introduced in R2008a

Variable Capacitor

Linear time-varying capacitor

Library: Simscape / Electrical / Passive



Description

The Variable Capacitor block represents a linear time-varying capacitor. The block provides two options for the relationship between the current i through the capacitor and the voltage v across the device when the capacitance at port **C** is C . The **Equation** parameter determines which of the following equations the block uses:

- $$i = C \frac{dv}{dt}$$

Use the preceding equation when the capacitance is defined as the local gradient of the charge-voltage curve for a given voltage:

$$C(v) = \frac{dQ(v)}{dv}$$

- $$i = \frac{dC}{dt}v + C \frac{dv}{dt}$$

Use the preceding equation when the capacitance is defined as the ratio of the charge Q to the steady-state voltage:

$$C(v) = \frac{Q(v)}{v}$$

The block includes a resistor in series with the variable capacitor. You can use this resistor to represent the total ohmic connection resistance of the capacitor. You may need to use this resistor to prevent numerical issues for some circuit topologies, such as where a Variable Capacitor block is connected in parallel with another capacitor block that does not have a series resistance.

Ports

Input

C — Capacitance

physical signal

Physical signal input port associated with the capacitance. C must be finite and greater than zero

Conserving

+ — Positive terminal

electrical

Electrical conserving port associated with the capacitor positive voltage.

- — Negative terminal
electrical

Electrical conserving port associated with the capacitor negative voltage.

Parameters

Equation — Equation for block capacitance

$I = C \cdot dV/dt$ (default) | $I = C \cdot dV/dt + dC/dt \cdot V$

Select one of the following options for block capacitance:

- $I = C \cdot dV/dt$ — This equation assumes the capacitance is defined as the local gradient of the charge-voltage curve for a given voltage. This option is the default.
- $I = C \cdot dV/dt + dC/dt \cdot V$ — This equation assumes the capacitance is defined as the ratio of the charge to the steady-state voltage.

Minimum capacitance $C > 0$ — Minimum capacitance

$1e-9$ F (default)

The lower limit on the value of the signal at port C. This limit prevents the signal from reaching a value that has no physical meaning. The default value is $1e-09$ F.

Series resistance — Series resistance

$1e-6$ Ohm (default)

The value of the resistance placed in series with the variable capacitor. The default value is $1e-06$ Ohm.

Initial voltage — Initial output voltage

0 V (default)

The output voltage at the start of the simulation.

Dependencies

This parameter is visible only when you select $I = C \cdot dV/dt$ for the **Equation** parameter.

Initial charge — Initial charge

0 C (default)

The charge at the start of the simulation.

Dependencies

This parameter is visible only when you select $I = C \cdot dV/dt + dC/dt \cdot V$ for the **Equation** parameter.

Extended Capabilities

C/C++ Code Generation

Generate C and C++ code using Simulink® Coder™.

See Also

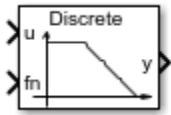
Variable Inductor | Variable Resistor

Introduced in R2008a

Variable-Frequency Second-Order Filter

Discrete-time or continuous-time variable-frequency second-order filter

Library: Simscape / Electrical / Control / General Control



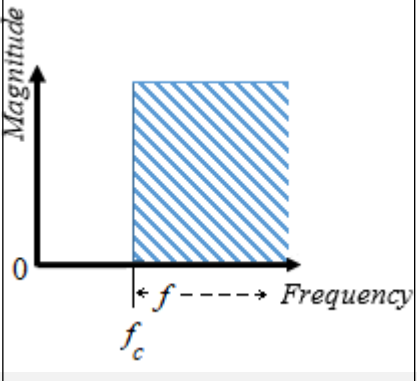
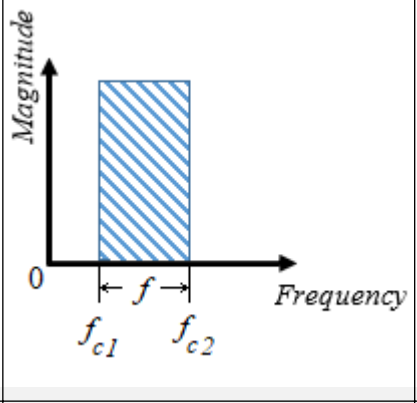
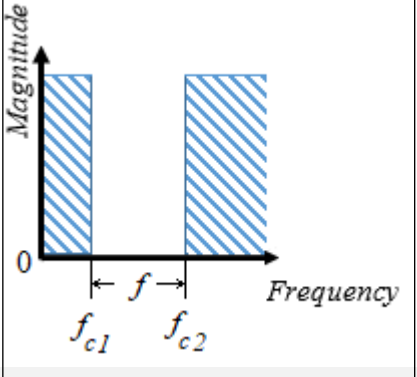
Description

The Variable-Frequency Second-Order Filter block implements four different types of second-order filters, each with external frequency input.. Filters are useful for attenuating noise in measurement signals.

The block provides these filter types:

- Low pass — Allows signals, f , only in the range of frequencies below the cutoff frequency, f_c , to pass.
- High pass — Allows signals, f , only in the range of frequencies above the cutoff frequency, f_c , to pass.
- Band pass — Allows signals, f , only in the range of frequencies between two cutoff frequencies, f_{c1} and f_{c2} , to pass.
- Band stop — Prevents signals, f , only in the range of frequencies between two cutoff frequencies, f_{c1} and f_{c2} , from passing.

Filter Type	Frequency Range, f	
Low-Pass		$f < f_c$

Filter Type	Frequency Range, f	
High-Pass		$f > f_c$
Band-Pass		$f_{c1} < f < f_{c2}$
Band-Stop		$f_{c1} < f < f_{c2}$

Equations

The second order derivative state equation for the filter is:

$$\frac{d^2x}{dt^2} = u - 2\zeta\omega_n\frac{dx}{dt} - \omega_n^2x$$

Where:

- x is the filter internal state.
- u is the filter input.

- ω_n is the filter natural frequency.
- ζ is the filter damping factor.

For each filter type, the table maps the block output, $y(x)$, as a function of the internal state of the filter, to the s -domain transfer function, $G(s)$.

Filter Type	Output, $y(x)$	Transfer Function, $G(s)$
Low-Pass	$\omega_n^2 x$	$\frac{\omega_n^2}{s^2 + 2\zeta\omega_n s + \omega_n^2}$
High-Pass	$\frac{d^2 x}{dt^2}$	$\frac{s^2}{s^2 + 2\zeta\omega_n s + \omega_n^2}$
Band-Pass	$2\zeta\omega_n \frac{dx}{dt}$	$\frac{2\zeta\omega_n s}{s^2 + 2\zeta\omega_n s + \omega_n^2}$
Band-Stop	$\frac{d^2 x}{dt^2} + x$	$\frac{s^2 + \omega_n^2}{s^2 + 2\zeta\omega_n s + \omega_n^2}$

For Initialization:

$$\dot{x}(0) = \left. \frac{dx}{dt} \right|_{t=0}$$

$$u(0) = u_1(0) + u_2(0)$$

$$u_1(0) = A_0 e^{j\varphi_0}$$

$$u_2(0) = b_0 e^{j\frac{\pi}{2}}$$

Where:

- $x(0)$ is the initial state of the filter.
- $u(0)$ is the initial input to the filter.
- $u_1(0)$ is the AC component of the steady-state initial input.
- A_0 is the initial amplitude.
- φ_0 is the initial phase.
- $u_2(0)$ is the DC component of the steady-state initial input.
- b_0 is the initial bias.

In the s -domain $s = j\omega_0$. Therefore, for the initial frequency, ω_0 :

$$\dot{x}(0) = \text{Im} \left(\frac{j\omega_0 u_1(0)}{-\omega_0^2 + j\omega_0 2\zeta\omega_n + \omega_n^2} \right)$$

$$x(0) = \text{Im} \left(\frac{\dot{x}(0)\omega_n^2}{j\omega_0} + u_2(0) \right)$$

Ports

Input

u – Filter input

scalar

Filter input.

Data Types: single | double

fn – Natural frequency

scalar

Natural frequency.

Data Types: single | double

Output

y – Filtered output

scalar

Filtered output.

Data Types: single | double

Parameters

Main

Filter type – Filter type

Low-pass (default) | High-pass | Band-pass | Band-stop

Type of second-order filter.

Initial natural frequency (Hz) – Initial natural frequency

60 (default) | positive scalar

Natural frequency, in Hz, at the start of simulation.

Initial Conditions

Damping factor – Damping factor

0.707 (default) | nonnegative scalar

Damping factor of the filter.

Sample time (-1 for inherited) – Block sample time

-1 (default) | 0 | positive scalar

Time between consecutive block executions. During execution, the block produces outputs and, if appropriate, updates its internal state. For more information, see “What Is Sample Time?” and “Specify Sample Time”.

For inherited discrete-time operation, specify -1. For discrete-time operation, specify a positive integer. For continuous-time operation, specify 0.

If this block is in a masked subsystem, or other variant subsystem that allows you to switch between continuous operation and discrete operation, promote the sample time parameter. Promoting the sample time parameter ensures correct switching between the continuous and discrete implementations of the block. For more information, see “Promote Parameter to Mask”.

Initial amplitude — Initial amplitude

0 (default) | nonnegative scalar

Amplitude at the start of simulation.

Initial phase (rad) — Initial phase

0 (default) | nonnegative scalar

Phase, in rad, at the start of simulation.

Initial frequency (Hz) — Initial frequency

0 (default) | scalar

Frequency, in Hz, at the start of simulation.

Initial bias — Initial bias

0 (default) | nonnegative scalar

Bias at the start of simulation.

References

[1] Agarwal, A. and Lang, J. H. *Foundations of Analog and Digital Electronic Circuits*. New York: Elsevier, 2005.

Extended Capabilities**C/C++ Code Generation**

Generate C and C++ code using Simulink® Coder™.

See Also

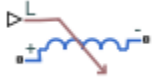
Low-Pass Filter (Discrete or Continuous) | SM PSS1A | Second-Order Filter | Second-Order Low-Pass Filter (Discrete or Continuous) | Washout (Discrete or Continuous)

Introduced in R2018b

Variable Inductor

Linear time-varying inductor

Library: Simscape / Electrical / Passive



Description

The Variable Inductor block represents a linear time-varying inductor. The block provides two options for the relationship between the voltage v across the device and the current through the inductor i when the inductance at port L is L . The **Equation** parameter determines which of the following equations the block uses:

- $$v = \frac{dL}{dt}i + L\frac{di}{dt}$$

Use the preceding equation when the inductance is defined as the ratio of the magnetic flux Φ to the steady-state current:

$$L(i) = \frac{\Phi(i)}{i}$$

- $$v = L\frac{di}{dt}$$

Use the preceding equation when the inductance is defined as the local gradient of the flux-current curve for a given current:

$$L(i) = \frac{d\Phi(i)}{di}$$

The block includes a conductance in parallel with the variable inductor. You can use the conductor to represent the total insulation conductance of the inductor. You may need to use the conductor to prevent numerical issues for some circuit topologies, such as where a Variable Inductor block is connected in series with another inductor block that does not have a parallel conductance.

Ports

Input

L — Inductance

physical signal

Physical signal input port associated with the inductance. C must be finite and greater than zero

Conserving

+ — Positive terminal

electrical

Electrical conserving port associated with the inductor positive voltage.

- – Negative terminal

electrical

Electrical conserving port associated with the inductor negative voltage.

Parameters

Equation – Equation for block inductance

$V = L \cdot dI/dt + dL/dt \cdot I$ (default) | $V = L \cdot dI/dt$

Select one of the following options for block inductance:

- $V = L \cdot dI/dt + dL/dt \cdot I$ — This equation assumes the inductance is defined as the ratio of the magnetic flux to the steady-state current. This option is the default.
- $V = L \cdot dI/dt$ — This equation assumes the inductance is defined as the local gradient of the flux-current curve for a given current.

Minimum inductance $L > 0$ – Minimum inductance

1e-6 H (default)

The lower limit on the value of the signal at port L. This limit prevents the signal from reaching a value that has no physical meaning.

Parallel conductance – Parallel conductance

1e-9 1/Ohm (default)

The value of the conductance placed in parallel with the variable inductor.

Initial current – Initial current

0 A (default)

The output current at the start of the simulation.

Dependencies

This parameter is visible only when you select $V = L \cdot dI/dt$ for the **Equation** parameter.

Initial magnetic flux – Initial magnetic flux

0 Wb (default)

The magnetic flux at the start of the simulation.

Dependencies

This parameter is visible only when you select $V = L \cdot dI/dt + dL/dt \cdot I$ for the **Equation** parameter.

Extended Capabilities

C/C++ Code Generation

Generate C and C++ code using Simulink® Coder™.

See Also

Variable Capacitor | Variable Resistor

Introduced in R2008a

Varistor

Voltage-dependent resistor

Library: Simscape / Electrical / Passive



Description

The Varistor block represents a voltage-dependent resistor (VDR). This component is also commonly known as a metal-oxide varistor (MOV). The block exhibits high resistance at low voltages and low resistance at high voltages.

You can protect parts of an electrical circuit from high-voltage surges by placing this block in parallel with them. When a surge occurs, the resistance of the varistor drops significantly, causing the current to be shunted through the varistor rather than through the circuit.

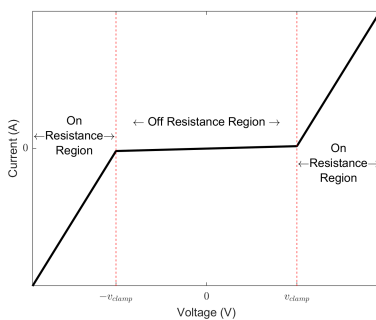
Use the **Parameterization** parameter to choose between two different behaviors for this block. The **Linear** option focuses on the on- and off-states of the varistor and uses a linear relationship between current and voltage in both regions. The **Power-law** option uses an exponential relationship between current and voltage in the initial on-state. This option also adds a third, linear region at higher voltages.

Linear Parameterization

This parameterization option separates the voltage-current relationship into two linear regions:

- Off-region — resistance is high and current increases slowly with increasing voltage.
- On-region — resistance is low and current increases rapidly with increasing voltage.

This figure shows the voltage-current relationship across the on- and off-regions.



Use linear parameterization in one of these scenarios:

- You are modeling voltage surges close to the threshold voltage
- You expect your varistor to behave linearly in all regions

The voltage-current relationship for the linear varistor is:

$$i_{varistor} = \begin{cases} \frac{v_{varistor}}{R_{off}} & |v_{varistor}| < v_{clamp} \\ \frac{v_{varistor}}{R_{on}} + c_1 \text{sgn}(v_{varistor}) & |v_{varistor}| \geq v_{clamp} \end{cases}$$

where:

- $v_{varistor}$ and $i_{varistor}$ are the varistor voltage and current, respectively.
- v_{clamp} is the threshold voltage that separates the two regions of operation. Set this value using the **Clamping voltage** parameter.
- R_{on} and R_{off} are the resistances in the on- and off-regions. Set these values using the **On resistance** and **Off resistance**, respectively.
- c_1 is a constant used to enforce current continuity between the two regions:

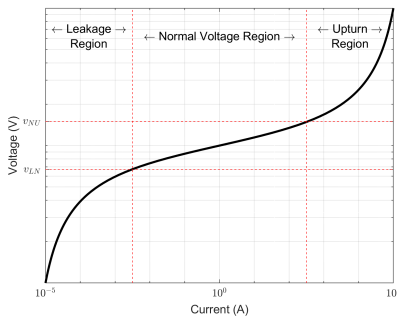
$$c_1 = v_{clamp} \left(\frac{1}{R_{off}} - \frac{1}{R_{on}} \right)$$

Power-Law Parameterization

This parameterization option separates the voltage-current relationship into three regions:

- Leakage region — Resistance is high and current increases slowly with increasing voltage.
- Normal region — Resistance decreases exponentially with increasing voltage.
- Upturn region — Resistance is low and current increases rapidly with increasing voltage.

This figure shows the three regions of operation in log-log-scale.



Use power-law parameterization in one of these scenarios:

- You are modeling voltage surges across a large range of voltages
- You expect your varistor to behave exponentially in the first on-region

The voltage-current relationship for the power-law varistor is:

$$i_{varistor} = \begin{cases} \frac{v_{varistor}}{R_L} & |v_{varistor}| < v_{LN} \\ k(v_{varistor})^\alpha + c_1 & v_{LN} \leq |v_{varistor}| \leq v_{NU} \\ \frac{v_{varistor}}{R_U} + c_2 & |v_{varistor}| > v_{NU} \end{cases}$$

where:

- v_{varistor} and i_{varistor} are the varistor voltage and current, respectively.
- α is the power-law exponent which determines the rate of current increase with voltage increase in the normal region. Set this value using the **Normal-mode power-law exponent** parameter.
- v_{LN} and the v_{NU} are the threshold voltages corresponding to the leakage-normal and normal-upturn transition points. Set these values using the **Leakage to normal voltage transition** and **Normal to upton voltage transition** parameters, respectively.
- R_L and R_U are the resistances in the leakage- and upton-regions. Set these values using the **Leakage-mode resistance** and **Upton-mode resistance** parameters, respectively.
- k , c_1 , and c_2 are constants used to enforce current continuity between the regions:

$$k = \frac{1}{\alpha R_U v_{NU}^{\alpha-1}},$$

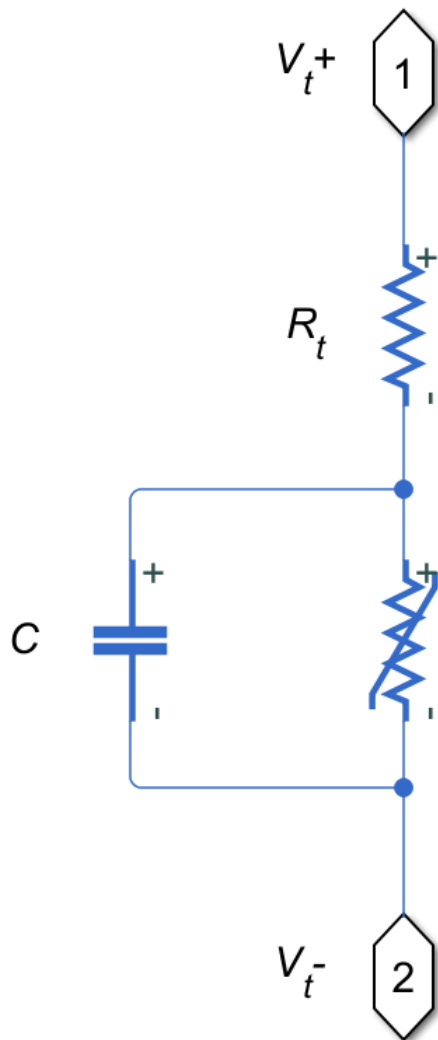
$$c_1 = \frac{v_{LN}}{R_L} - \frac{v_{LN}^{\alpha}}{\alpha R_U v_{NU}^{\alpha-1}},$$

and

$$c_2 = \frac{1}{\alpha R_U v_{NU}^{\alpha-1}} (v_{NU}^{\alpha} - v_{LN}^{\alpha}) - \frac{v_{NU}}{R_U} + \frac{v_{LN}}{R_L}.$$

Equivalent Circuit

In addition to the varistor equations, you can also specify a constant terminal resistance R_t and device capacitance C . This figure shows the equivalent circuit for the varistor in either parameterization mode.



Ports

Conserving

+ – Positive terminal

electrical

Electrical conserving port associated with the varistor positive terminal.

- – Negative terminal

electrical

Electrical conserving port associated with the varistor negative terminal.

Parameters

Parameterization — Varistor operation mode

Linear (default) | Power-law

Choose how the varistor resistance changes with increasing voltages:

- **Linear** — Two regions. The low-voltage region has high resistance and the high-voltage region has low resistance.
- **Power-law** — Three regions. The leakage region has high resistance. The normal region has exponentially decreasing resistance. The upturn region has low resistance.

Clamping voltage — Threshold voltage

260 (default) | positive number

Transition point voltage, v_{clamp} , between the off- and on-states of the linear varistor.

Dependencies

Enabled when the **Parameterization** parameter is set to **Linear**.

Off resistance — Low-voltage resistance

3e8 (default) | positive number

Low-voltage resistance, R_{off} , of the varistor in the off-state.

Dependencies

Enabled when the **Parameterization** parameter is set to **Linear**.

On resistance — High-voltage resistance

1 (default) | positive number

High-voltage resistance, R_{on} , of the varistor in the on-state.

Dependencies

Enabled when the **Parameterization** parameter is set to **Linear**.

Leakage to normal voltage transition — First threshold voltage

130 (default) | positive number

Transition point voltage, v_{LN} , between the leakage and normal regions of the power-law varistor.

Dependencies

Enabled when the **Parameterization** parameter is set to **Power-law**.

Normal to upturn voltage transition — Second threshold voltage

300 (default) | positive number

Transition point voltage, v_{NU} , between the normal and upturn regions of the power-law varistor.

Dependencies

Enabled when the **Parameterization** parameter is set to **Power-law**.

Leakage-mode resistance — Low-voltage resistance

3e8 (default) | positive number

Low-voltage resistance, R_L , of the varistor in the leakage region.

Dependencies

Enabled when the **Parameterization** parameter is set to Power-law.

Normal-mode power-law exponent — Mid-voltage resistance

45 (default) | positive number

Exponent that determines rate of current increase with voltage increase of the varistor in the normal region.

Dependencies

Enabled when the **Parameterization** parameter is set to Power-law.

Upturn-mode resistance — High-voltage resistance

0.07 (default) | positive number

High-voltage resistance, R_U , of the varistor in the upturn region.

Dependencies

Enabled when the **Parameterization** parameter is set to Power-law.

Terminal resistance — Terminal resistance

100e-6 (default) | non-negative number

Small, constant resistance in series with the varistor. Set this value to zero to remove the resistance from the equivalent circuit.

Capacitance — Parallel capacitance

4.4 (default) | non-negative number

Capacitor in parallel with the varistor. Set this value to zero to remove the capacitor from the equivalent circuit.

Extended Capabilities**C/C++ Code Generation**

Generate C and C++ code using Simulink® Coder™.

See Also

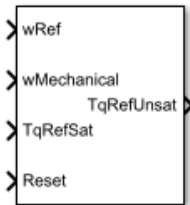
Resistor | Variable Resistor

Introduced in R2018a

Velocity Controller

Discrete-time velocity controller

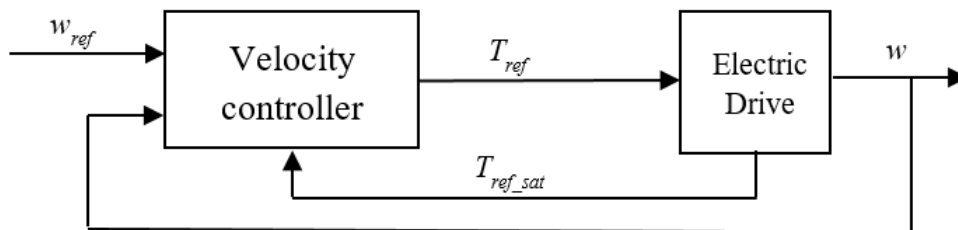
Library: Simscape / Electrical / Control / General Machine Control



Description

The Velocity Controller block implements a velocity controller in discrete-time.

You provide measured and reference rotor velocities (w and w_{ref}) as inputs to the block. The block then outputs a reference torque T_{ref} for an electric drive.



To prevent windup in the integrator, feed the saturated reference torque T_{ref_sat} from the electric drive back to the velocity controller.

Equations

You can control the rotor angular velocity with discrete sample time T_s using one of three common approaches:

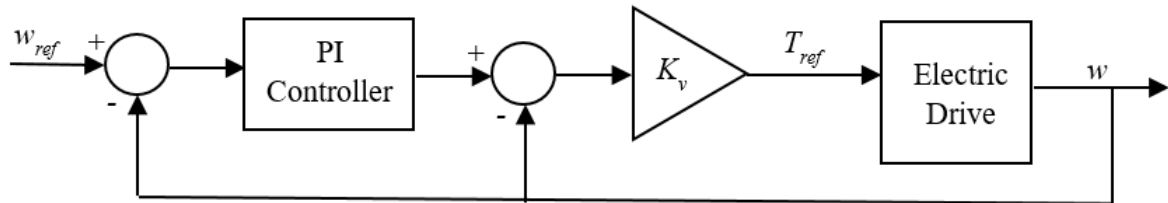
- Proportional-integral (PI) control, with proportional and integral gains K_{p_w} and K_{i_w} :

$$T_{ref} = \left(K_{p_w} + K_{i_w} \frac{T_s z}{z-1} \right) (w_{ref} - w)$$

- Proportional (P) control, with proportional gain K_{p_w} :

$$T_{ref} = K_{p_w} (w_{ref} - w)$$

- P-PI control characterized by a double velocity feedback loop as shown in the following figure:



Here, the PI Controller block is structured as in the PI control strategy, and K_v is the proportional gain for a P controller.

Zero Cancellation

Using PI control results in a zero in the closed-loop transfer function, which can result in undesired overshoot in the closed-loop response. This zero can be canceled by introducing a zero-cancellation block in the feedforward path. The zero cancellation transfer function in discrete time is

$$G_{ZC_w}(z) = \frac{\frac{T_s K_{i_w}}{K_{p_w}}}{z + \left(\frac{T_s - \frac{K_{p_w}}{K_{i_w}}}{\frac{K_{p_w}}{K_{i_w}}} \right)}$$

Ports

Input

wRef – Desired velocity

scalar

Desired or reference velocity, in rad/s.

Data Types: single | double

wMechanical – Actual velocity

scalar

Measured mechanical velocity, in rad/s.

Data Types: single | double

TqRefSat – Saturated reference torque

scalar

Saturated torque reference used for integral anti-windup gain, in N*m.

Data Types: single | double

Reset – Integral reset

scalar

External reset signal (rising edge) for the integrator.

Data Types: single | double

Output

TqRefUnsat — Unsaturated desired torque

scalar

Unsaturated reference torque, in N*m.

Data Types: `single` | `double`

Parameters

Control type — Control model

`PI control` (default) | `P control` | `P-PI control`

Type of controller:

- `PI control` — Proportional-integral control using a single feedback loop
- `P control` — Proportional-integral control using a single feedback loop
- `P-PI control` — Proportional and proportional-integral control using a double feedback loop

Dependencies

The **Control type** options affect the visibility or configurability of these parameters:

- **Controller integral gain**
- **P controller proportional gain**
- **Anti-windup gain**
- **Integral anti-windup gain**
- **Sample time (-1 for inherited)**
- **Enable zero cancellation**

Controller proportional gain — Proportional gain

1 (default) | positive scalar

Proportional gain for the:

- PI controller
- P controller in the single-loop control model
- PI controller in the P-PI controller

Controller integral gain — Integral gain

1 (default) | positive scalar

Integral gain for the PI or P-PI controller.

Dependencies

This parameter is visible only when the **Control type** is set to `PI control` or `P-PI control`.

P controller proportional gain — P proportional gain

1 (default) | positive scalar

Proportional gain for the P controller in the P-PI controller.

Dependencies

This parameter is visible only when the **Control type** is set to P-PI control.

Integral anti-windup gain – PI anti-windup gain

1 (default) | positive scalar

Anti-windup gain for the PI controller.

Dependencies

This parameter is visible only when the **Control type** is set to PI control or P-PI control.

Sample time (-1 for inherited) – Block sample time

-1 (default) | positive scalar

Time, in s, between consecutive block executions. During execution, the block produces outputs and, if appropriate, updates its internal state. For more information, see “What Is Sample Time?” and “Specify Sample Time”.

If this block is inside a triggered subsystem, inherit the sample time by setting this parameter to -1. If this block is in a continuous variable-step model, specify the sample time explicitly using a positive scalar.

Dependencies

This parameter is visible only when the **Control type** is set to PI control or P-PI control.

Discretization sample time – Sample time for discretization

0.001 (default) | positive scalar

Time, in s, between consecutive discretizations. Discretization is required for zero cancellation.

Dependencies

This parameter is only visible when all these conditions are met:

- **Control type** is set to PI control or P-PI control.
- **Sample time** is set to -1.
- **Enable zero cancellation** is selected .

Enable zero cancellation – Feedforward zero-cancellation

off (default) | on

Option to use zero cancellation on the feedforward path.

Dependencies

The **Enable zero cancellation** parameter is visible only when **Control type** is set to PI control or P-PI control.

The **Discretization sample time** parameter is only visible when **Enable zero cancellation** is selected .

References

- [1] Naouar, M. W., A. A. Naassani, E. Monmasson, and I. Slama-Belkhodja. "FPGA-based predictive current controller for synchronous machine speed drive." *IEEE Transactions on Power Electronics*. Vol. 23, Number 4, 2008, pp. 2115-2126.

Extended Capabilities

C/C++ Code Generation

Generate C and C++ code using Simulink® Coder™.

See Also

Blocks

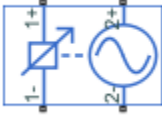
SM Current Controller | SM Current Reference Generator

Introduced in R2017b

Voltage-Controlled Oscillator

Behavioral model of voltage-controlled oscillator

Library: Simscape / Electrical / Integrated Circuits



Description

The Voltage-Controlled Oscillator block provides a behavioral model of a voltage-controlled oscillator (VCO). The output voltage is defined by the following equations:

$$v_{lim} = \begin{cases} v_{min} & \text{for } v_{in} < v_{min} \\ v_{in} & \text{for } v_{min} \leq v_{in} \leq v_{max} \\ v_{max} & \text{for } v_{in} > v_{max} \end{cases}$$

$$\dot{\Phi} = 2\pi F(v_{lim})$$

$$v_{out} = A \sin(2\pi f_{nom} t + \Phi) - i_{out} R_{out}$$

where:

- v_{in} is the voltage applied across the 1+ and 1- ports.
- v_{out} is the voltage across the 2+ and 2- ports.
- f_{nom} is the oscillator frequency when the input control voltage is v_{nom} .
- F is a linear function of v_{lim} or a lookup table function of v_{lim} .
- A is the output voltage peak amplitude.
- t is simulation time.
- i_{out} is the output current.
- R_{out} is the output resistance.

If you choose **Linear** for the **Frequency dependence on input voltage** parameter, then the function F is given by:

$$F = f_{nom} + k(v_{lim} - v_{nom})$$

where k is the rate of change of frequency with input voltage.

If you choose **Tabulated** for the **Frequency dependence on input voltage** parameter, then the function F is defined by the vectors of input voltages and corresponding output frequency deviations from nominal that you supply. The values for v_{min} and v_{max} are the first and the last values of the input voltage vector.

You can model the time delay between a change in the input control voltage and the oscillator frequency. Do this by modeling a first-order dynamic between v_{lim} and the value passed to the function F .

Ports

Conserving

1+ — Positive input voltage

electrical

Electrical conserving port associated with the oscillator positive input voltage.

1- — Negative input voltage

electrical

Electrical conserving port associated with the oscillator negative input voltage.

2+ — Positive output voltage

electrical

Electrical conserving port associated with the oscillator positive output voltage.

2- — Negative output voltage

electrical

Electrical conserving port associated with the oscillator negative output voltage.

Parameters

Frequency

Frequency dependence on input voltage — Block parameterization

Linear (default) | Tabulated

Select one of the following methods for block parameterization:

- **Linear** — Define a linear function by specifying the rate of change of frequency with input voltage. This is the default option.
- **Tabulated** — Provide the vectors of input voltages and corresponding output frequency deviations from nominal. The block determines the frequency deviation by table lookup based on these values.

Nominal frequency — Nominal frequency

1000 Hz (default)

The oscillator frequency when the input control voltage is at the nominal value.

Input voltage corresponding to nominal frequency — Input voltage corresponding to nominal frequency

0.5 V (default)

The input voltage corresponding to the oscillator nominal frequency.

Dependencies

This parameter is visible only when you select Linear for the **Frequency dependence on input voltage** parameter.

Rate of change of frequency with input voltage — Rate of change of frequency with input voltage

1 Hz/V (default)

The linear coefficient defining the rate of change of frequency depending on input voltage.

Dependencies

This parameter is visible only when you select Linear for the **Frequency dependence on input voltage** parameter.

Minimum input voltage — Minimum input voltage

0 V (default)

The minimum input voltage that affects VCO frequency.

Dependencies

This parameter is visible only when you select Linear for the **Frequency dependence on input voltage** parameter.

Maximum input voltage — Maximum input voltage

1 V (default)

The maximum input voltage that affects VCO frequency.

Dependencies

This parameter is visible only when you select Linear for the **Frequency dependence on input voltage** parameter.

Input voltage vector — Input voltage vector

[0, .2, .4, .6, .8, 1] V (default)

The vector of voltages for the tabulated VCO frequency.

Dependencies

This parameter is visible only when you select Tabulated for the **Frequency dependence on input voltage** parameter.

Frequency deviation from nominal — Frequency deviation from nominal

[-1000, -329, -51, 162, 342, 500] Hz (default)

The corresponding vector of VCO frequencies relative to the nominal frequency.

Dependencies

This parameter is visible only when you select Tabulated for the **Frequency dependence on input voltage** parameter.

Electrical Characteristics

Output voltage peak amplitude — Output voltage peak amplitude

1 V (default)

The peak amplitude of the voltage across the 2+ and 2- terminals.

Input resistance — Input resistance

inf Ohm (default)

The resistance seen at the 1+ and 1- terminals.

Output resistance — Output resistance

0 Ohm (default)

The value of the series output resistance.

Dynamics

Dynamics — Dynamics specification

No dynamics (default) | Model frequency tracking dynamics

Select one of the following methods for specifying dynamics:

- **No dynamics** — Do not model the time delay between a change in the input control voltage and the oscillator frequency. This is the default option.
- **Model frequency tracking dynamics** — Model a first order dynamic between the input control voltage and the oscillator frequency.

Frequency tracking time constant — Frequency tracking time constant

1e-3 s (default)

Time constant for the first-order filter that delays the measured input control voltage, to model the lag between a change in VCO demanded frequency and the resulting VCO frequency.

Dependencies

This parameter is visible only when you select **Model frequency tracking dynamics** for the **Dynamics** parameter.

Initial frequency — Initial frequency

1000 Hz (default)

The initial VCO output frequency.

Extended Capabilities

C/C++ Code Generation

Generate C and C++ code using Simulink® Coder™.

See Also

Introduced in R2013b

Voltage-Controlled Switch

Voltage-controlled switch with hysteresis

Library: Simscape / Electrical / Additional Components / SPICE Passives



Description

The Voltage-Controlled Switch block represents the electrical characteristics of a switch whose state is controlled by the voltage across the input ports (the controlling voltage).

This block models either a variable-resistance or a short-transition switch. For a variable-resistance switch, set the **Switch model** parameter to Smooth transition between V_{on} and V_{off} . For a short-transition switch, set **Switch model** to Abrupt transition after delay.

Short-transition Switch

In a short-transition switch, the transition between the off and on states is instantaneous:

- When the controlling voltage is greater than or equal to the sum of the **Threshold voltage, V_T** and **Hysteresis voltage, V_H** parameter values, the switch is closed and has a resistance equal to the **On resistance, R_{ON}** parameter value.
- When the controlling voltage is less than the **Threshold voltage, V_T** parameter value minus the **Hysteresis voltage, V_H** parameter value, the switch is open and has a resistance equal to the **Off resistance, R_{OFF}** parameter value.
- When the controlling voltage is greater than or less than the **Threshold voltage, V_T** parameter value by an amount less than or equal to the **Hysteresis voltage, V_H** parameter value, the voltage is in the crossover region and the state of the switch remains unchanged.

Note If the **Hysteresis voltage, V_H** parameter value is less than 0, the block models a variable-resistance switch independently of the value you set for the **Switch model** parameter.

Variable-resistance Switch

In a variable-resistance switch, the transition between the off and on states is exponential:

- When the **Control voltage for on state, V_{ON}** is greater than the **Control voltage for off state, V_{OFF}** :
 - If the controlling voltage is greater than the **Control voltage for on state, V_{ON}** parameter value, the switch is closed and has a resistance equal to the **On resistance, R_{ON}** parameter value.

- If the controlling voltage is less than the **Control voltage for off state, VOFF** parameter value, the switch is open and has a resistance equal to the **Off resistance, ROFF** parameter value.
- If the controlling voltage is greater than the **Control voltage for off state, VOFF** parameter value or less than the **Control voltage for on state, VON** parameter value, the resistance is defined by:

$$R_s = \exp \left[L_m + 3L_r \left(\frac{V_c - V_m}{2V_d} \right) - 2L_r \left(\frac{(V_c - V_m)^3}{V_d^3} \right) \right]$$

where:

- R_s is the switch resistance.
 - $L_m = \ln \left[(R_{ON} * R_{OFF})^{\frac{1}{2}} \right]$ is the log-mean of resistor values.
 - $L_r = \ln \left(\frac{R_{ON}}{R_{OFF}} \right)$ is the log-ratio of resistor values.
 - V_c is the controlling voltage.
 - $V_m = \frac{V_{ON} + V_{OFF}}{2}$ is the mean of the control voltages.
 - $V_d = V_{ON} - V_{OFF}$ is the difference between the control voltages.
- When the **Control voltage for on state, VON** is less than the **Control voltage for off state, VOFF**:
 - If the controlling voltage is less than the **Control voltage for on state, VON** parameter value, the switch is closed and has a resistance equal to the **On resistance, RON** parameter value.
 - If the controlling voltage is greater than the **Control voltage for off state, VOFF** parameter value, the switch is open and has a resistance equal to the **Off resistance, ROFF** parameter value.
 - If the controlling voltage is less than the **Control voltage for off state, VOFF** parameter value or greater than the **Control voltage for on state, VON** parameter value, the resistance is defined by:

$$R_s = \exp \left[L_m + 3L_r \left(\frac{I_c - I_m}{2I_d} \right) - 2L_r \left(\frac{(I_c - I_m)^3}{I_d^3} \right) \right]$$

Assumptions and Limitations

The block output resistance model is discontinuous during switching. The discontinuity might cause numerical issues. Try the following actions to resolve the issues:

- Set the **On resistance, RON** and **Off resistance, ROFF** parameter values to keep R_{ON} divided by R_{OFF} as large as possible, and more than $1e+12$.
- Increase the **Hysteresis voltage, VH** parameter value to reduce switch chatter.
- If a variable-step solver is employed, decrease the **Max step size** parameter value (in the Configuration Parameters block dialog box).

Note This increases the simulation time.

Ports

Conserving

1+ — Positive input port

electrical

Electrical conserving port associated with the voltage controlled switch positive input.

1- — Negative input port

electrical

Electrical conserving port associated with the voltage controlled switch negative input.

2+ — Positive output port

electrical

Electrical conserving port associated with the voltage controlled switch positive output.

2- — Negative output port

electrical

Electrical conserving port associated with the voltage controlled switch negative output.

Parameters

Switch model — Switch model

Abrupt transition after delay (default) | Smooth transition between I_{on} and I_{off}

Whether the transition between on state and off state current is instantaneous or not. To model this block as a variable-resistance switch, select Smooth transition between I_{on} and I_{off} . To model this block as a short-transition switch, select Abrupt transition after delay.

Threshold voltage, V_T — Threshold voltage

0 V (default)

Voltage above which the block interprets the controlling voltage as HIGH.

Note The controlling voltage must differ from the threshold voltage by at least the **Hysteresis voltage, V_H** parameter value to change the state of the switch.

Dependencies

To enable this parameter, set **Switch model** to Abrupt transition after delay.

Hysteresis voltage, V_H — Hysteresis voltage

0 V (default)

Amount by which the controlling voltage must exceed or fall below the **Threshold voltage, V_T** parameter value to change the state of the switch.

Dependencies

To enable this parameter, set **Switch model** to Abrupt transition after delay.

Control voltage for on state, VON – Control voltage for on state

1e-3 V (default)

Switch control voltage for the on state.

Dependencies

To enable this parameter, set **Switch model** to Smooth transition between Von and Voff.

Control voltage for off state, IOFF – Control voltage for off state

0 V (default)

Switch control voltage for the off state.

Dependencies

To enable this parameter, set **Switch model** to Smooth transition between Von and Voff.

On resistance, RON – Closed switch resistance

1 Ohm (default)

Resistance of the switch when it is closed.

Use 1/GMIN as Off resistance – Whether to use 1/GMIN as off resistance

No (default) | Yes

Whether to automatically calculate the off resistance of this switch as 1/GMIN.

Note The value of the parallel conductance, *GMIN*, depends on whether your model contains an Environment Parameters block.

By default, *GMIN* matches the **GMIN** parameter of the Environment Parameters block, whose default value is 1e-12. To change *GMIN*, add an Environment Parameters block to your model and set the **GMIN** parameter to the desired value.

Dependencies

To enable this parameter, set **Switch model** to Abrupt transition after delay.

Off resistance, ROFF – Open switch resistance

1e12 Ohm (default) | 1e6

Resistance of the switch when it is open.

Dependencies

To enable this parameter either:

- Set **Switch model** to Abrupt transition after delay and **Use 1/GMIN as Off resistance** to No. The default value is 1e12.
- Set **Switch model** to Smooth transition between Von and Voff. The default value is 1e6.

, .

Time delay, TD — Time delay

0 s (default)

Time delay after which the switch transition takes place.

Dependencies

To enable this parameter, set **Switch model** to Abrupt transition after delay.

Extended Capabilities**C/C++ Code Generation**

Generate C and C++ code using Simulink® Coder™.

See Also**Simscape Blocks**

Current-Controlled Switch | Environment Parameters

Functions

subcircuit2ssc

Topics

“Additional Parameterization Workflows”

“Converting a SPICE Netlist to Simscape Blocks”

“Parameterize an Exponential Diode from SPICE Netlist”

Introduced in R2009a

Voltage Source

Voltage source with optional DC, AC and noise components

Library: Simscape / Electrical / Sources



Description

The Voltage Source block implements a voltage source with DC, AC, and noise components. The voltage across the + and - terminals is given by:

$$v = v_{DC} + v_{AC}\sin(2\pi ft + \phi) + v_N$$

where:

- v_{DC} is the steady-state DC voltage component.
- v_{AC} is the amplitude of the AC voltage component.
- f is the frequency of the AC component.
- ϕ is the phase offset of the AC component.
- v_N is the noise voltage.

You can configure your source as DC-only, AC-only, or a combination of both. By default, both AC and DC components are set to 0. Define the AC/DC voltage by specifying nonzero parameter values after placing the block in your model.

The noise component is also optional. If you set the **Noise mode** parameter to **Enabled**, then the added noise voltage is given by:

$$v_N = \sqrt{P_v/2} \frac{N(0, 1)}{\sqrt{h}}$$

where:

- P_v is the single-sided noise power spectral density for a 1 ohm load, in V^2/Hz .
- N is a Gaussian random number with zero mean and standard deviation of one.
- h is the sampling interval.

By default, the **Noise mode** parameter is set to **Disabled**, and the voltage source generates no thermal noise.

Noise Options

The block generates Gaussian noise by using the PS Random Number source in the Simscape Foundation library. You can control the random number seed by setting the **Repeatability** parameter:

- **Not repeatable** — Every time you simulate your model, the block resets the random seed using the MATLAB random number generator:

```
seed = randi(2^32-1);
```

- **Repeatable** — The block automatically generates a seed value and stores it inside the block, to always start the simulation with the same random number. This auto-generated seed value is set when you add a Voltage Source block from the block library to the model. When you make a new copy of the Voltage Source block from an existing one in a model, a new seed value is generated. The block sets the value using the MATLAB random number generator command shown above.
- **Specify seed** — If you select this option, the additional **Seed** parameter lets you directly specify the random number seed value.

Assumptions and Limitations

- Simulating with noise enabled slows down simulation. Choose the sample time (h) so that noise is generated only at frequencies of interest, and not higher.

Ports

Conserving

+ — Positive port

electrical

Electrical conserving port associated with the voltage source positive terminal

- — Negative port

electrical

Electrical conserving port associated with the voltage source negative terminal

Parameters

DC & AC Components

DC voltage — DC output voltage

0 V (default)

DC component of the output voltage. Specify a nonzero value to add a DC component to the voltage source.

AC voltage peak amplitude — AC voltage amplitude

0 V (default)

Amplitude of the AC component of the output voltage. Specify a nonzero value to add an AC component to the voltage source.

AC voltage phase shift — AC voltage phase offset

0 rad (default)

Phase offset of the AC component of the output voltage.

AC voltage frequency — AC voltage frequency

60 Hz (default)

Frequency of the AC component of the output voltage, in Hz.

Noise

Noise mode — Noise option

Disabled (default) | Enabled

Select the noise option:

- **Disabled** — No noise is produced by the voltage source.
- **Enabled** — The voltage source generates thermal noise, and the associated parameters become visible on the **Noise** tab.

Power spectral density — Power spectral density

0 V²/Hz (default)

The single-sided spectrum noise power. Strictly-speaking, this is a density function for the square of the voltage, commonly thought of as a power into a 1 ohm load, and therefore the units are V²/Hz. To avoid this unit ambiguity, some datasheets quote noise voltage as a noise density with units of V/√Hz. In this case, you should enter the square of the noise density quoted in the datasheet as the parameter value.

Repeatability — Noise control option

Not repeatable (default) | Repeatable | Specify seed

Select the noise control option:

- **Not repeatable** — The random sequence used for noise generation is not repeatable.
- **Repeatable** — The random sequence used for noise generation is repeatable, with a system-generated seed.
- **Specify seed** — The random sequence used for noise generation is repeatable, and you control the seed by using the **Seed** parameter.

Auto-generated seed used for repeatable option — Auto-generated random number seed

1964622691 (default)

Random number seed stored inside the block to make the random sequence repeatable. The parameter value is automatically generated using the MATLAB random number generator command. You can modify this parameter value, but it gets overwritten by a new random value if you copy the block to another block in the model. Therefore, if you want to control the seed of the random sequence, use the **Specify seed** option for the **Repeatability** parameter and specify the desired seed value using the **Seed** parameter.

Dependencies

This parameter is visible only when you select **Repeatable** for the **Repeatability** parameter.

Seed — Random number seed

0 (default)

Random number seed used by the noise random number generator.

Dependencies

This parameter is visible only when you select **Specify seed** for the **Repeatability** parameter.

Sample time – Sample time

1e-3 s (default)

Defines the rate at which the noise source is sampled. Choose it to reflect the frequencies of interest in your model. Making the sample time too small will unnecessarily slow down your simulation.

Extended Capabilities**C/C++ Code Generation**

Generate C and C++ code using Simulink® Coder™.

See Also

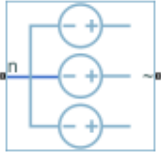
[Current Source](#) | [Resistor](#) | [Voltage Source \(Three-Phase\)](#)

Introduced in R2013a

Voltage Source (Three-Phase)

Ideal three-phase voltage source with optional harmonics

Library: Simscape / Electrical / Sources



Description

The Voltage Source (Three-Phase) block models an ideal three-phase voltage source or a three-phase voltage source with harmonics. You specify the configuration using the Source representation parameter.

When you select **None** for the **Source Impedance** parameter, the Voltage Source block models an ideal three-phase voltage source that maintains sinusoidal voltage of the specified magnitude across its terminals, independently of the current flowing through the source.

The source has a wye configuration, and port **n** provides a connection to the center of the wye. Port **~** is an expandable three-phase port representing the three phases, *a*, *b*, and *c*. The current is positive if it flows from the center of the wye to the positive terminal, and the voltage across each phase is equal to the difference between the voltage at the positive terminal and the center of the wye, $V(+)$ - V_n .

Equations

The output voltage for the Voltage Source block is defined by these equations:

$$v = v_{DC} + v_{AC}\sin(2\pi ft + \phi) + v_N$$

$$v_a = V_0\sin(2\pi ft + \varphi)$$

$$v_N = \sqrt{P_v/2} \frac{N(0, 1)}{\sqrt{h}}$$

$$v_c = V_0\sin(2\pi ft + \varphi + 120^\circ),$$

where:

- V_0 is the peak phase voltage.
- v_{line_rms} is the root-mean square (RMS) phase-to-phase voltage.
- v_a , v_b , v_c are the respective phase voltages.
- f is frequency.
- φ is the phase shift.
- t is time.

When you specify the three-phase voltage source with harmonics representation, the output voltage for the Voltage Source block is defined by these equations:

$$V_0 = \frac{\sqrt{2}}{\sqrt{3}} v_{line_rms} H_{ratios}$$

$$v_a = V_0 \sin((2\pi f t + \varphi) H'_{orders})$$

$$v_b = V_0 \sin((2\pi f t + \varphi - \theta) H'_{orders})$$

$$v_c = V_0 \sin((2\pi f t + \varphi + \theta) H'_{orders}),$$

where:

- V_0 is a row-vector containing the peak voltage of the fundamental and harmonic sinusoids.
- v_{line_rms} is the RMS phase-to-phase voltage.
- H_{ratios} is a row-vector of harmonic ratios. The first element is 1 to represent the fundamental.
- H'_{orders} is a row-vector of harmonic orders. The first element is 1 to represent the fundamental.
- v_a, v_b, v_c are the respective phase voltages.
- f is a column-vector of harmonic frequencies. The first element is the fundamental frequency.
- φ is a column-vector of harmonic phase shifts. The first element is the fundamental phase shift.
- θ is a column-vector of harmonic phase offsets. The first element is 120° .
- t is the time.

When you select X/R ratio for the **Source Impedance** parameter, the equations for source impedance are:

$$R = \frac{v_{line_rms}^2}{S_{sc} \sqrt{1 + \phi^2}}$$

$$X = R\phi$$

$$L = \frac{X}{2\pi f},$$

where:

- S_{sc} is the **Short-circuit power level** that you specify.
- ϕ is the **Source X/R ratio** that you specify.
- R is the calculated source resistance.
- X is the calculated source reactance.
- L is the calculated source inductance.

Variables

Use the **Variables** settings to specify the priority and initial target values for the block variables before simulation. For more information, see "Set Priority and Initial Target for Block Variables".

Ports

Conserving

~ — Three-phase port

electrical

Expandable three-phase port associated with the three phases, *a*, *b*, and *c*.

n — Wye center

electrical

Electrical conserving port associated with the center of the wye

Parameters

Main

Rated voltage (phase-to-phase RMS) — RMS line voltage

$\sqrt{3} * 100 / \sqrt{2}$ V (default)

RMS phase-to-phase, or line, voltage.

Phase shift — Phase shift

0 deg (default)

Phase shift in angular units.

Frequency — Voltage frequency

60 Hz (default)

Voltage frequency, specified in Hz or units directly convertible to Hz (where Hz is defined as 1/s). For example, kHz and MHz are valid units, but rad/s is not.

Source impedance — Source impedance method

X/R Ratio (default) | None | Series R | Series L | Series RL

Choose a method for specifying source impedance. The default option is X/R Ratio. Selecting any other options enables other parameters. The options are:

- None
- X/R Ratio
- Series R
- Series L
- Series RL

Short-circuit power level — Short-circuit power level

$1e6$ V*A (default)

Short-circuit power level.

Dependencies

This parameter is visible only when you select X/R Ratio for the **Source Impedance** parameter.

Source X/R ratio — Reactance-to-resistance ratio

15 (default)

Complex impedance, that is, the reactance-to-resistance ratio.

Dependencies

This parameter is visible only when you select X/R Ratio for the **Source Impedance** parameter.

Source resistance — Source resistance

0.01 Ohm (default)

Source resistance.

Dependencies

This parameter is visible only when you select Series R or Series RL for the **Source Impedance** parameter.

Source inductance — Source inductance

3.97e-4 H (default)

Source inductance.

Dependencies

This parameter is visible only when you select Series L or Series RL for the **Source Impedance** parameter.

Harmonics**Source harmonics — Source Harmonics**

None (default) | Generate harmonics

Choose between None and Generate harmonics. The default value is None.

Harmonic orders — Harmonic orders

[5, 7, 11, 13] (default)

A row-vector of additional integer harmonic orders at which harmonics are to be generated.

Dependencies

This parameter is visible only when you select Generate harmonics for the **Source representation** parameter.

Harmonic magnitude to peak magnitude ratios — Harmonic magnitude to peak magnitude ratios

[.1, .1, .1, .1] (default)

A row-vector of ratios of harmonic magnitudes relative to the fundamental magnitude.

Dependencies

This parameter is visible only when you select Generate harmonics for the **Source representation** parameter.

Parasitics

Source impedance parasitic parallel conductance — Source impedance parasitic parallel conductance

0 1/Ohm (default)

Source impedance parasitic parallel conductance.

Dependencies

This parameter is visible only when you select X/R Ratio, Series L or Series RL for the **Source Impedance** parameter.

Extended Capabilities

C/C++ Code Generation

Generate C and C++ code using Simulink® Coder™.

See Also

Battery | Controlled Current Source (Three-Phase) | Current Source (Three-Phase) | Voltage Source

Topics

“Build and Simulate Composite and Expanded Three-Phase Models”

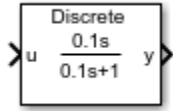
“Expand and Collapse Three-Phase Ports on a Block”

Introduced in R2013b

Washout (Discrete or Continuous)

Discrete-time or continuous-time washout or high-pass filter

Library: Simscape / Electrical / Control / General Control



Description

The Washout (Discrete or Continuous) block implements a washout filter in conformance with IEEE 421.5-2016^[1]. The washout is also known as a high-pass filter.

You can switch between continuous and discrete implementations of the integrator using the **Sample time** parameter.

Equations

Continuous

To configure the Washout (Discrete or Continuous) block for continuous time, set the **Sample time** property to 0. This representation is equivalent to the continuous transfer function:

$$G(s) = \frac{Ts}{Ts + 1},$$

where T is the time constant. From the preceding transfer function, the washout defining equations are:

$$\begin{cases} \dot{x}(t) = \frac{1}{T}(-x(t) + u(t)) \\ y(t) = -x(t) + u(t) \end{cases} \quad x(0) = u_0, \quad y(0) = 0,$$

where:

- u is the washout input.
- x is the washout state.
- y is the washout output.
- t is the simulation time.
- u_0 is the initial input to the block.

Discrete

To configure the washout Washout (Discrete or Continuous) for discrete time, set the **Sample time** property to a positive, nonzero value, or to -1 to inherit the sample time from an upstream block. The discrete representation is equivalent to the transfer function:

$$G(z) = \frac{z - 1}{z + T_s/T - 1},$$

where T_s is the sample time. From the discrete transfer function, the washout defining equations are defined using the forward Euler method:

$$\begin{cases} x(n+1) = \left(1 - \frac{T_s}{T}\right)x(n) + \left(\frac{T_s}{T}\right)u(n) \\ y(n) = u(n) - x(n) \end{cases} \quad x(0) = u_0, y(0) = 0,$$

where:

- u is the washout input.
- x is the washout state.
- y is the washout output.
- n is the simulation time step.
- u_0 is the initial input to the block.

Initial Conditions

To specify the initial conditions of this block, set **Initialization** to:

- **Inherited from block input** — The block sets the state and output initial conditions to the initial input.
- **Specify as parameter** — The block sets the state initial condition to the value of **Initial state**.

Bypass Filter Dynamics

Set the time constant to a value smaller than or equal to the sample time to ignore the dynamics of the filter. When bypassed, the block feeds the input directly to the output:

$$T \leq T_s \rightarrow y = u .$$

In the continuous case, the sample time and time constant must both be zero.

Ports

Input

u — Washout input

vector

Washout input signal. The block uses the input initial value to determine the state initial value.

Data Types: `single` | `double`

Output

y — Washout output

vector

Washout output signal.

Data Types: `single` | `double`

Parameters

Time constant — Washout time constant

0.1 (default) | positive number

Washout time constant. Set this value less than the **Sample time** to bypass the dynamics of the filter.

Initialization — Initial state specification

Inherited from block input (default) | Specify as parameter

Specify the initial state condition for this block. For more information, see “Initial Conditions” on page 1-2212.

Initial state — Initial state

0 (default) | real number

Block initial state.

Dependencies

To enable this parameter, set **Initialization** to Specify as parameter.

Sample time (-1 for inherited) — Block sample time

-1 (default) | 0 | positive scalar

Time between consecutive block executions. During execution, the block produces outputs and, if appropriate, updates its internal state. For more information, see “What Is Sample Time?” and “Specify Sample Time”.

For inherited discrete-time operation, specify -1. For discrete-time operation, specify a positive integer. For continuous-time operation, specify 0.

If this block is in a masked subsystem, or other variant subsystem that allows you to switch between continuous operation and discrete operation, promote the sample time parameter. Promoting the sample time parameter ensures correct switching between the continuous and discrete implementations of the block. For more information, see “Promote Parameter to Mask”.

References

- [1] *IEEE Recommended Practice for Excitation System Models for Power System Stability Studies*. IEEE Std 421.5-2016. Piscataway, NJ: IEEE-SA, 2016.

Extended Capabilities

C/C++ Code Generation

Generate C and C++ code using Simulink® Coder™.

See Also

Blocks

Filtered Derivative (Discrete or Continuous) | Integrator (Discrete or Continuous) | Integrator with Wrapped State (Discrete or Continuous) | Lead-Lag (Discrete or Continuous) | Low-Pass Filter (Discrete or Continuous)

Introduced in R2017b

Winding

Electromagnetic converter with ohmic and magnetic flux losses

Library: Simscape / Electrical / Passive



Description

The Winding block represents an electromagnetic converter with winding resistance and leakage reluctance. You can use this block as a base component for building custom transformers. For an ideal electromagnetic converter, see the Electromagnetic Converter.

When you apply a positive current across the electrical ports of the block, a positive magnetomotive force (MMF) is induced across the magnetic terminals.

$$\mathcal{F} = Ni$$

Where:

- \mathcal{F} is the MMF across the magnetic terminals of the block
- N is the number of winding turns
- i is the current through the winding

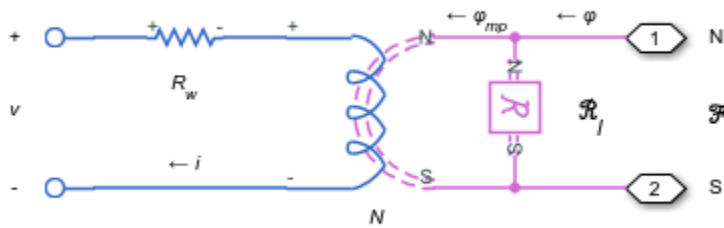
When you apply a positive time-varying flux across the magnetic terminals of the block, a negative voltage is induced across the electrical terminals of the block.

$$v = -N \frac{d\phi}{dt} + \frac{N^2}{\mathcal{R}_l} \frac{di}{dt} + R_w i$$

Where:

- ϕ is the flux through the magnetic terminals of the block
- i is the current through the electrical terminals of the block
- \mathcal{R}_l is the leakage reluctance
- R_w is the winding resistance
- \mathcal{F} is the magnetomotive force across the magnetic terminals of the block
- v is the voltage drop across the electrical terminals of the block

This figure shows the equivalent circuit for the block.



In the diagram, φ_{mp} corresponds to the main-path flux, or the flux through the main winding. You can set the initial condition for this flux in the block's **Variables** tab.

Ports

Conserving

+ – Positive terminal

electrical

Electrical conserving port associated with the positive terminal of the block.

- – Negative terminal

electrical

Electrical conserving port associated with the negative terminal of the block.

N – North terminal

magnetic

Magnetic conserving port associated with the north terminal of the block.

S – South terminal

magnetic

Magnetic conserving port associated with the south terminal of the block.

Parameters

Number of winding turns – Winding turn count

10 (default) | positive number

Number of wire turns on the transformer winding.

Winding resistance – Series resistance

1e-3 0hm (default) | positive number

Power loss in the winding.

Leakage reluctance – Parallel reluctance

1e5 1/H (default) | positive number

Magnetic flux loss in the winding.

Extended Capabilities

C/C++ Code Generation

Generate C and C++ code using Simulink® Coder™.

See Also

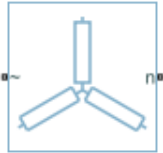
Three-Winding Transformer (Three-Phase) | Two-Winding Transformer (Three-Phase) | Zigzag-Delta-Wye Transformer

Introduced in R2018a

Wye-Connected Load

Three-phase load wired in wye configuration

Library: Simscape / Electrical / Passive / RLC Assemblies



Description

The Wye-Connected Load block models a three-phase load wired in a wye configuration. Each limb of the load can include any combination of a resistor (R), capacitor (C), and inductor (L), connected in series or in parallel.

You can specify values for the R, L, and C components directly in terms of resistance, inductance, and capacitance, or by rated powers at a rated voltage and frequency.

- If you parameterize the block directly in terms of R, L, and C values, then for initialization, provide a three-element row vector of initial voltages for a capacitor, and a three-element row vector of initial currents for an inductor.
- If you parameterize the block in terms of rated powers, then specify initial conditions in terms of an initial voltage, initial voltage phase, and initial frequency. For example, if the load is connected directly to a three-phase voltage source, then the initial conditions are identical to the source values for RMS line voltage, frequency, and phase shift. To specify zero initial-voltage magnitude, set the initial voltage to 0.

For certain combinations of R, L, and C, for some circuit topologies, specify parasitic resistance or conductance values that help the simulation to converge numerically. These parasitic terms ensure that an inductor has a small parallel resistive path and that a capacitor has a small series resistance. When you parameterize the block in terms of rated powers, the rated power values do not account for these small parasitic terms. The rated powers represent only the R, L, and C values of the load itself.

Block parameterization

The following two tables list the block parameters for each **Component structure**, based on the selected **Parameterization** option:

- Specify by rated power
- Specify component values directly

Specify by Rated Power

Component Structure	Main Parameters	Parasitics Parameters	Initial Conditions Parameters
R	Rated voltage Real power	None	None
L	Rated voltage Rated electrical frequency Inductive reactive power	Parasitic parallel conductance	Terminal voltage magnitude Terminal voltage angle Frequency
C	Rated voltage Rated electrical frequency Capacitive reactive power	Parasitic series resistance	Terminal voltage magnitude Terminal voltage angle Frequency
Series RL	Rated voltage Rated electrical frequency Real power Inductive reactive power	Parasitic parallel conductance	Terminal voltage magnitude Terminal voltage angle Frequency
Series RC	Rated voltage Rated electrical frequency Real power Capacitive reactive power	None	Terminal voltage magnitude Terminal voltage angle Frequency
Series LC	Rated voltage Rated electrical frequency Inductive reactive power Capacitive reactive power	Parasitic parallel conductance	Terminal voltage magnitude Terminal voltage angle Frequency

Component Structure	Main Parameters	Parasitics Parameters	Initial Conditions Parameters
Series RLC	Rated voltage Rated electrical frequency Real power Inductive reactive power Capacitive reactive power	Parasitic parallel conductance	Terminal voltage magnitude Terminal voltage angle Frequency
Parallel RL	Rated voltage Rated electrical frequency Real power Inductive reactive power	None	Terminal voltage magnitude Terminal voltage angle Frequency
Parallel RC	Rated voltage Rated electrical frequency Real power Capacitive reactive power	Parasitic series resistance	Terminal voltage magnitude Terminal voltage angle Frequency
Parallel LC	Rated voltage Rated electrical frequency Inductive reactive power Capacitive reactive power	Parasitic series resistance	Terminal voltage magnitude Terminal voltage angle Frequency

Component Structure	Main Parameters	Parasitics Parameters	Initial Conditions Parameters
Parallel RLC	Rated voltage Rated electrical frequency Real power Inductive reactive power Capacitive reactive power	Parasitic series resistance	Terminal voltage magnitude Terminal voltage angle Frequency

Specify Component Values Directly

Component Structure	Main Parameters	Parasitics Parameters	Initial Conditions Parameters
R	Resistance	None	None
L	Inductance	Parasitic parallel conductance	Initial inductor current [Ia Ib Ic]
C	Capacitance	Parasitic series resistance	Initial capacitor voltage [Va Vb Vc]
Series RL	Resistance Inductance	Parasitic parallel conductance	Initial inductor current [Ia Ib Ic]
Series RC	Resistance Capacitance	None	Initial capacitor voltage [Va Vb Vc]
Series LC	Inductance Capacitance	Parasitic parallel conductance	Initial inductor current [Ia Ib Ic] Initial capacitor voltage [Va Vb Vc]
Series RLC	Resistance Inductance Capacitance	Parasitic parallel conductance	Initial inductor current [Ia Ib Ic] Initial capacitor voltage [Va Vb Vc]
Parallel RL	Resistance Inductance	None	Initial inductor current [Ia Ib Ic]
Parallel RC	Resistance Capacitance	Parasitic series resistance	Initial capacitor voltage [Va Vb Vc]
Parallel LC	Inductance Capacitance	Parasitic series resistance	Initial inductor current [Ia Ib Ic] Initial capacitor voltage [Va Vb Vc]
Parallel RLC	Resistance Inductance Capacitance	Parasitic series resistance	Initial inductor current [Ia Ib Ic] Initial capacitor voltage [Va Vb Vc]

Variables

Use the **Variables** tab to specify the priority and initial target values for the block variables before simulation. For more information, see “Set Priority and Initial Target for Block Variables”.

To enable the **Variables** tab, set the **Parameterization** parameter to Specify component values directly. The tab is not visible if you set **Component structure** to R.

Ports

Conserving

~ — Three-phase port

electrical

Electrical expandable three-phase port.

n — Neutral phase

electrical

Electrical conserving port associated with the neutral phase.

Parameters

Main

Parameterization — Parameterization

Specify by rated power (default) | Specify component values directly

Select one of these values:

- **Specify by rated power** — Specify values for the R, L, and C components by rated powers at a rated voltage and frequency. This is the default.
- **Specify component values directly** — Specify values for the R, L, and C components directly in terms of resistance, inductance, and capacitance.

Switching the **Parameterization** value resets the **Component structure** value. Select the component parameterization option first, and then the component structure. If you later switch the **Parameterization** value, check the **Component structure** value and reselect it, if necessary.

Component structure — Desired combination

R (default) | L | C | Series RL | Series RC | Series LC | Series RLC | Parallel RL | Parallel RC | Parallel LC | Parallel RLC

Select the desired combination of a resistor (R), capacitor (C), and inductor (L), connected in series or in parallel.

Rated voltage — Rated voltage

2.4e4 V (default)

Voltage for which load powers are specified. This parameter is visible only when you specify values by rated power.

Dependencies

This parameter is visible only when you select **Specify by rated power** for the **Parameterization** parameter.

Real power — Total real dissipated power

1000 W (default) | positive scalar

Total real power dissipated by three-phase load when supplied at the rated voltage. The value must be greater than 0.

Dependencies

This parameter is visible only when you select **Specify by rated power** for the **Parameterization** parameter and select a component structure that includes a resistor.

Rated electrical frequency — Rated electrical frequency

60 Hz (default)

Frequency for which reactive load powers are specified.

Dependencies

This parameter is visible only when you select **Specify by rated power** for the **Parameterization** parameter.

Inductive reactive power — Inductive reactive power

100 V*A (default) | positive scalar

Total inductive reactive power taken by the three-phase load when supplied at the rated voltage. The value must be greater than 0.

Dependencies

This parameter is visible only when you select **Specify by rated power** for the **Parameterization** parameter and select a component structure that includes an inductor.

Capacitive reactive power — Total capacitive reactive power

-100 V*A (default) | negative scalar

Total capacitive reactive power taken by the three-phase load when supplied at the rated voltage. The value must be less than 0.

Dependencies

This parameter is visible only when you select **Specify by rated power** for the **Parameterization** parameter and select a component structure that includes a capacitor.

Resistance — Resistance

1 Ohm (default)

The resistance of each of the load limbs.

Dependencies

This parameter is visible only when you select **Specify component values directly** for the **Parameterization** parameter and select a component structure that includes a resistor.

Inductance — Inductance

0.001 H (default)

Inductance of each of the load limbs.

Dependencies

This parameter is visible only when you select **Specify component values directly** for the **Parameterization** parameter and select a component structure that includes an inductor.

Capacitance — Capacitance

1e-6 F (default)

Capacitance in each of the load limbs.

Dependencies

This parameter is visible only when you select **Specify component values directly** for the **Parameterization** parameter and select a component structure that includes a capacitor.

Parasitics**Parasitic series resistance — Parasitic series resistance**

1e-6 Ohm (default)

Represents small parasitic effects. The parameter value corresponds to the series resistance value added to all instances of capacitors in the load.

Parasitic parallel conductance — Parasitic parallel conductance

1e-6 1/Ohm (default)

Represents small parasitic effects. The parameter value corresponds to the parallel conductance value added across all instances of inductors in the load.

Extended Capabilities**C/C++ Code Generation**

Generate C and C++ code using Simulink® Coder™.

See Also

Delta-Connected Load | RLC (Three-Phase)

Topics

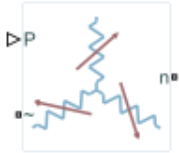
“Expand and Collapse Three-Phase Ports on a Block”

Introduced in R2013b

Wye-Connected Variable Load

Three-phase variable load wired in wye configuration

Library: Simscape / Electrical / Passive / RLC Assemblies



Description

The Wye-Connected Variable Load block models a three-phase variable load wired in a wye configuration. Each limb of the load contains a resistor. The block calculates the resistance required to draw the real power of the physical signal input P at the rated voltage that you specify. Therefore, the block can represent a real load.

To ensure that the resistance is always greater than zero, you specify the minimum real power that the load consumes. The minimum real power must be greater than zero.

Equations

The resistance is defined by

$$R = \frac{V_{Rated}^2}{P},$$

where:

- R is the per-phase series resistance.
- V_{Rated} is the RMS, rated line-line voltage.
- P is the three-phase real power required.

Ports

Input

P — Real power

physical signal

Physical signal input port associated with the real power.

Conserving

~ — Three-phase port

electrical

Expandable three-phase port.

n — Neutral phase

electrical

Electrical conserving port associated with the neutral phase.

Parameters**Rated voltage — Rated line-line voltage**

24e3 V (default)

RMS, rated line-line voltage for the resistance equation.

Minimum real power — Minimum real power

1e3 W (default) | positive scalar

Minimum real power that the three-phase load dissipates when supplied at the rated voltage. The value must be greater than 0.

Extended Capabilities**C/C++ Code Generation**

Generate C and C++ code using Simulink® Coder™.

See Also

Wye-Connected Load | Wye-Connected Variable Load (lagging)

Topics

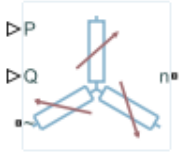
“Expand and Collapse Three-Phase Ports on a Block”

Introduced in R2014b

Wye-Connected Variable Load (lagging)

Three-phase variable, lagging load wired in wye configuration

Library: Simscape / Electrical / Passive / RLC Assemblies



Description

The Wye-Connected Variable Load (lagging) block models a three-phase variable, lagging load wired in a wye configuration. Each limb of the load contains a resistor (R) and an inductor (L) connected in series. The block calculates the resistance and inductance required to draw the real and reactive powers of the physical signal inputs P and Q at the rated voltage and rated frequency that you specify. Therefore, the block can represent a real and lagging reactive load.

To ensure that the resistance and inductance are always greater than zero, you specify the minimum real power and the reactive power that the load consumes. The minimum real power and the reactive power must be greater than zero.

Electrical Defining Equations

The per-phase series resistance and inductance are defined by

$$R = \frac{PV_{Rated}^2}{P^2 + Q^2}$$

and

$$L = \frac{QV_{Rated}^2}{2\pi F_{Rated}(P^2 + Q^2)},$$

where:

- R is the per-phase series resistance.
- L is the per-phase series inductance.
- V_{Rated} is the RMS, rated line-line voltage.
- F_{Rated} is the nominal AC electrical frequency.
- P is the three-phase real power required.
- Q is the three-phase lagging reactive power required.

The inductance is defined as the ratio of the magnetic flux, ϕ , to the steady-state current:

$$L(i) = \frac{\phi(i)}{i}.$$

Therefore the current-voltage relationship for the inductor is:

$$v = \frac{dL}{dt}i + L\frac{di}{dt}.$$

Variables

Use the **Variables** settings to specify the priority and initial target values for the block variables before simulation. For more information, see “Set Priority and Initial Target for Block Variables”.

Unlike block parameters, variables do not have conditional visibility. The **Variables** settings include all the existing block variables. If a variable is not used in the set of equations corresponding to the selected block configuration, the values specified for this variable are ignored.

Ports

Input

P — Real power

physical signal

Physical signal input port associated with the real power.

Q — Reactive power

physical signal

Physical signal input port associated with the reactive power.

Conserving

~ — Three-phase port

electrical

Expandable three-phase port.

n — Neutral phase

electrical

Electrical conserving port associated with the neutral phase.

Parameters

Main

Rated voltage — Rated line-line voltage

24e3 V (default)

RMS, rated line-line voltage for the resistance equation.

Rated electrical frequency — Nominal AC electrical frequency

60 Hz (default)

Nominal AC electrical frequency for the inductance equation.

Minimum real power — Minimum real power

1e3 W (default) | positive scalar

Minimum real power that the three-phase load dissipates when supplied at the rated voltage. The value must be greater than 0.

Minimum reactive power — Minimum reactive power

1e3 V*A (default) | positive scalar

Minimum reactive power that the three-phase load dissipates when supplied at the rated voltage. The value must be greater than 0.

Parasitics**Parasitic parallel conductance — Parasitic parallel conductance**

1e-6 1/Ohm (default)

Conductance that the block adds, in parallel, to the series RL.

Extended Capabilities**C/C++ Code Generation**

Generate C and C++ code using Simulink® Coder™.

See Also

Wye-Connected Load | Wye-Connected Variable Load

Topics

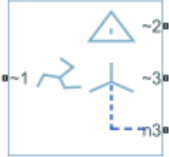
“Expand and Collapse Three-Phase Ports on a Block”

Introduced in R2014b

Zigzag-Delta-Wye Transformer

Linear, non-ideal zigzag-delta-wye transformer with three-limb core with saturation capability

Library: Simscape / Electrical / Passive / Transformers



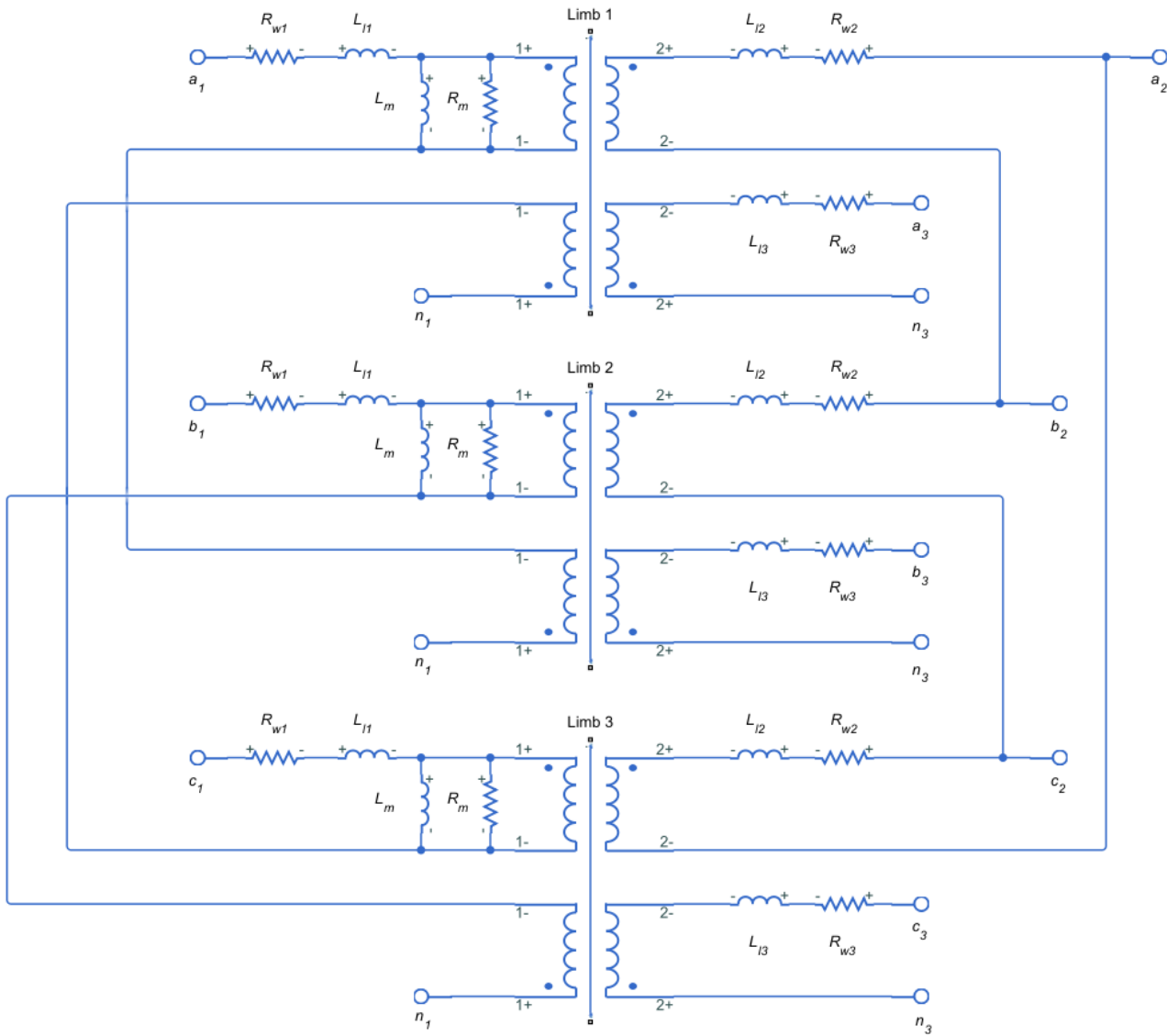
Description

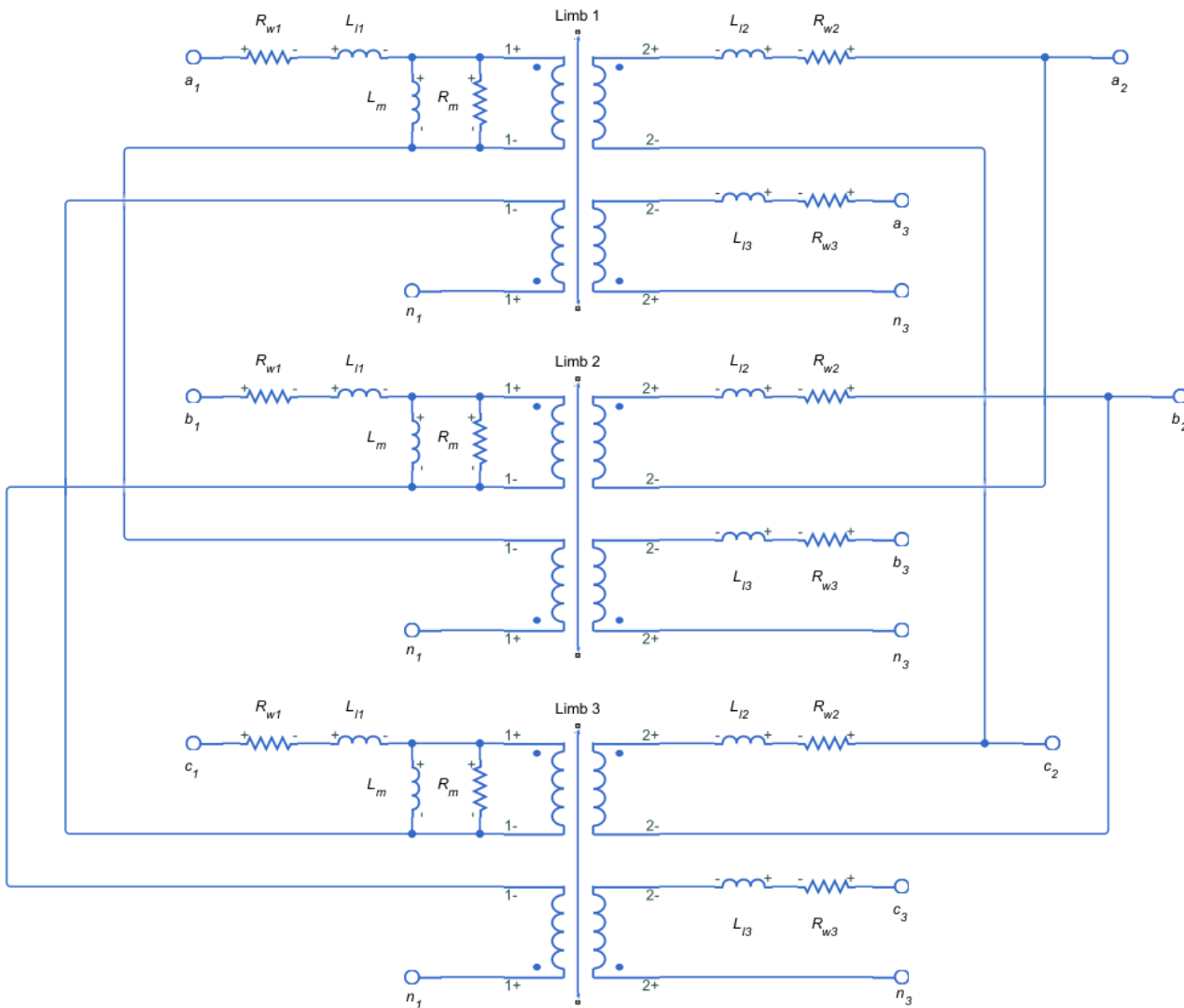
The Zigzag-Delta-Wye Transformer block models a linear, nonideal transformer with a three-limb core that has primary zigzag windings and secondary delta, wye, or delta and wye windings. You can specify the phase offset between the zigzag and wye windings using the **Wye secondary phase shift** parameter and parameterize the block impedance using per-unit values. The block includes effects for linear winding leakage and linear core magnetization.

The configuration options for the delta winding types are:

- Delta 1 o'clock — Mesh configuration with a lagging 30-degree phase shift relative to the voltage of a connected wye configuration
- Delta 11 o'clock — Mesh configuration with leading 30-degree phase shift relative to the voltage of a connected wye configuration

These equivalent circuit diagrams show the zigzag-delta-wye transformer in the delta 1 o'clock and delta 11 o'clock configurations, respectively.





In these diagrams:

- R_{w1} is the primary winding resistance.
- L_{l1} is the primary leakage reactance.
- R_{w2} is the delta secondary winding resistance.
- L_{l2} is the delta secondary leakage reactance.
- R_{w3} is the wye secondary winding resistance.
- L_{l3} is the wye secondary leakage reactance.
- R_m is the shunt magnetizing resistance.
- L_m is the shunt magnetizing reactance.

Variables

Use the **Variables** settings to specify the priority and initial target values for the block variables before simulation. For more information, see "Set Priority and Initial Target for Block Variables".

To enable the **Wye secondary currents** variable, set **Secondary connection** to Wye or Wye and Delta.

To enable the **Delta secondary currents** variable, set **Secondary connection** to Delta or Wye and Delta.

Ports

Conserving

~1 — Primary winding voltage

electrical

Expandable three-phase electrical conserving port associated with the three-phase, [*a1 b1 c1*], voltage of the primary winding.

~2 — Delta secondary winding voltage

electrical

Expandable three-phase electrical conserving port associated with the three-phase, [*a2 b2 c2*], voltage of the first secondary winding.

Dependencies

To enable this port, set **Secondary connection** to Delta or Wye and Delta.

~3 — Wye secondary winding voltage

electrical

Expandable three-phase electrical conserving port associated with the three-phase, [*a3 b3 c3*], voltage of the second secondary winding.

Dependencies

To enable this port, set **Secondary connection** to Wye or Wye and Delta.

n3 — Second secondary winding neutral point

electrical

Electrical conserving port associated with the wye secondary winding neutral point.

~1i — Zigzag winding interconnection port

electrical

Electrical conserving port associated with the interconnection of the zigzag winding.

Dependencies

To enable this port, set **Zigzag configuration** to Accessible winding interconnects.

Parameters

Main

Rated apparent power — Apparent power at rated capacity

100e6 V*A (default) | positive scalar

Apparent power flowing through the transformer when operating at rated capacity, in V*A.

Rated electrical frequency — Connected network electrical frequency

60 Hz (default) | positive scalar

Rated or nominal frequency of the AC network to which the transformer is connected, in Hz. The value must be greater than 0.

Primary rated voltage — Root mean square line voltage applied to the primary winding

24e3 V (default) | positive scalar

RMS line voltage applied to the primary winding under normal operating conditions, in V. The value must be greater than 0.

Zigzag configuration — Zigzag configuration type

Internal floating neutral (default) | Accessible winding interconnects

Configuration of zigzag winding.

Secondary connection — Zigzag configuration type

Delta (default) | Wye | Wye and Delta

Configuration of the secondary connection.

Delta connection type — Delta connection type

Delta 1 o'clock (default) | Delta 11 o'clock

Type of delta connection.

Dependencies

To enable this parameter, set **Secondary connection** to Delta or Wye and Delta.

Delta secondary rated voltage — Root mean square line voltage applied to the delta secondary winding

4160 V (default) | positive scalar

RMS line voltage applied to the delta secondary winding under normal operating conditions, in V. The value must be greater than 0.

Dependencies

To enable this parameter, set **Secondary connection** to Delta or Wye and Delta.

Wye secondary rated voltage — Root mean square line voltage applied to the wye secondary winding

4160 V (default) | positive scalar

RMS line voltage applied to the wye secondary winding under normal operating conditions, in V. The value must be greater than 0.

Dependencies

To enable this parameter, set **Secondary connection** to Wye or Wye and Delta.

Secondary phase shift — Phase offset for secondary winding

-7.5 deg (default)

Phase offset between the zigzag and the secondary windings.

Impedances

Primary winding resistance (pu) — Primary winding power loss

0.01 (default) | positive scalar

Per-unit power loss in the primary winding. The value must be greater than 0.

Primary leakage reactance (pu) — Primary winding magnetic flux loss

0.001 (default) | positive scalar

Per-unit magnetic flux loss in the primary winding. The value must be greater than 0.

Delta secondary winding resistance (pu) — Delta secondary winding power loss

0.01 (default) | positive scalar

Per-unit power loss in the delta secondary winding. The value must be greater than 0.

Dependencies

To enable this parameter, set **Secondary connection** to Delta or Wye and Delta.

Delta secondary leakage reactance (pu) — Delta secondary winding flux loss

0.001 (default) | positive scalar

Per-unit magnetic flux loss in the delta secondary winding. The value must be greater than 0.

Dependencies

To enable this parameter, set **Secondary connection** to Delta or Wye and Delta.

Wye secondary winding resistance (pu) — Wye secondary winding power loss

0.01 (default) | positive scalar

Per-unit power loss in the wye secondary winding. The value must be greater than 0.

Dependencies

To enable this parameter, set **Secondary connection** to Wye or Wye and Delta.

Wye secondary leakage reactance (pu) — Wye secondary winding flux loss

0.001 (default) | positive scalar

Per-unit magnetic flux loss in the wye secondary winding. The value must be greater than 0.

Dependencies

To enable this parameter, set **Secondary connection** to Wye or Wye and Delta.

Shunt magnetizing resistance (pu) — Transformer core magnetic losses

500 (default) | positive scalar

Per-unit magnetic losses in the transformer core. The value must be greater than 0.

Magnetic saturation representation — Representation of the magnetic saturation

None (default) | Lookup table (phi versus i)

Choose if and how you want to represent the magnetic saturation.

Current vector (pu), i – Per unit vector of currents

[0, .002, 1, 2] (default)

Per unit vector of currents. The first value must be 0. This parameter must be strictly ascending.

Dependencies

This parameter is visible only when you set the **Magnetic saturation representation** parameter to Lookup table (phi versus i).

Magnetic flux vector (pu), phi – Per unit vector of magnetic flux

[0, 1.2, 1.5, 1.51] (default)

Per unit vector of magnetic flux. The first value must be 0. This parameter must be strictly ascending.

Dependencies

This parameter is visible only when you set the **Magnetic saturation representation** parameter to Lookup table (phi versus i).

Shunt magnetizing reactance (pu) – Transformer core magnetic effects

500 (default) | positive scalar

Per-unit magnetic effects of the transformer core when operating in its linear region. The value must be greater than 0.

Dependencies

This parameter is visible only when you set the **Magnetic saturation representation** parameter to None.

Extended Capabilities

C/C++ Code Generation

Generate C and C++ code using Simulink® Coder™.

See Also

Earthing Transformer | Ideal Transformer | Nonlinear Transformer | Tap-Changing Transformer | Three-Winding Transformer (Three-Phase) | Two-Winding Transformer (Three-Phase)

Introduced in R2019b

Functions

ee_calculateFluxPartialDerivatives

Calculate flux partial derivatives for FEM-Parameterized PMSM block

Syntax

```
[dFdA,dFdB,dFdC,dFdX] = ee_calculateFluxPartialDerivatives(A,B,C,X,F)
[dFdA,dFdB,dFdC,dFdX,D,Q] = ee_calculateFluxPartialDerivatives(A,B,C,X,F)
```

Description

`[dFdA,dFdB,dFdC,dFdX] = ee_calculateFluxPartialDerivatives(A,B,C,X,F)` calculates the partial derivatives from flux linkage. For improved numerical performance, the FEM-Parameterized PMSM block works with flux linkage partial derivatives, rather than directly with flux linkage. If your finite-element motor design tool does not have an option to output partial derivatives, then you can use this function to calculate the partial derivatives from the flux linkage. The flux linkage F must be a four-dimensional matrix with the first three dimensions corresponding to the A, B, and C phase currents, and the fourth dimension corresponding to the rotor angle X . The function returns four-dimensional matrices for the four partial derivatives. Use this syntax in conjunction with the 4-D Data variant of the block.

`[dFdA,dFdB,dFdC,dFdX,D,Q] = ee_calculateFluxPartialDerivatives(A,B,C,X,F)` returns two additional output arguments corresponding to d -axis and q -axis currents, respectively. In this case, the four partial derivatives are three-dimensional, the first two dimensions corresponding to the d -axis and q -axis currents, and the third dimension corresponding to the rotor angle. Use this syntax in conjunction with the 3-D Data variant of the block.

Examples

Calculate 4-D flux linkage partial derivatives

Suppose F is a four-dimensional matrix containing flux linkage data, exported by your finite-element motor design tool. The matrix dimensions correspond to the three phase currents and the rotor angle, respectively. The data is cyclical in the fourth dimension, corresponding to the rotor angle.

Tip If you do not have data from a finite-element motor design tool for your PMSM, to prevent a simulation error, before running the code for this example, first generate the required F matrix by running the Generate 4-D Flux Linkage Matrix F example for the `ee_generateIdealPMSMfluxData` function.

Either directly import or recreate the current vectors. For example, if recreating a current vector with evenly spaced values between -250 and 250 A and 5 A increments, then:

```
iA = linspace(-250,250,5);
iB = iA;
iC = iA;
```

Import or define the number of pole pairs.


```
N = 6;
```

Import the rotor angle vector or recreate it based on the number of pole pairs.

```
X = pi/180*linspace(0,360/N,180/N+1);
```

Calculate the flux linkage partial derivatives.

```
[dFdA,dFdB,dFdC,dFdX] = ee_calculateFluxPartialDerivatives(iA,iB,iC,X,F);
```

The function returns four 4-D matrices for the flux linkage partial derivatives. The four matrices correspond to the three phase currents and the rotor angle, respectively. The matrix dimensions also correspond to the three phase currents and the rotor angle.

Calculate 3-D flux linkage partial derivatives

Suppose F is a four-dimensional matrix containing flux linkage data, exported by your finite-element motor design tool. The matrix dimensions correspond to the three phase currents and the rotor angle, respectively. The data is cyclical in the fourth dimension, corresponding to the rotor angle.

Tip If you do not have data from a finite-element motor design tool for your PMSM, to prevent a simulation error, before running the code for this example, first generate the required F matrix by running the Generate 4-D Flux Linkage Matrix F example for the `ee_generateIdealPMSMfluxData` function.

Either directly import or recreate the current vectors. For example, if recreating a current vector with evenly spaced values between -250 and 250 A and 5 A increments:

```
iA = linspace(-250,250,5);
iB = iA;
iC = iA;
```

Import or define the number of pole pairs.

```
N = 6;
```

Import the rotor angle vector or recreate it based on the number of pole pairs.

```
X = pi/180*linspace(0,360/N,180/N+1);
```

Calculate the flux linkage partial derivatives.

```
[dFdA,dFdB,dFdC,dFdX,iD,iQ] = ee_calculateFluxPartialDerivatives(iA,iB,iC,X,F);
```

The function returns four 3-D matrices for the flux linkage partial derivatives and two vectors for the d -axis and q -axis current values. The four matrices correspond to the three phase currents and the rotor angle, respectively. The matrix dimensions correspond to the d -axis and q -axis currents and the rotor angle.

Input Arguments

A — A-phase current, in amperes

vector

A-phase current, in amperes, specified as a vector. The vector must be monotonically increasing and two-sided (contain both positive and negative values). Best practice is to include zero current as one of the points.

Data Types: `double`

B — B-phase current, in amperes

vector

B-phase current, in amperes, specified as a vector. The vector must be monotonically increasing and two-sided (contain both positive and negative values). Best practice is to include zero current as one of the points.

Data Types: `double`

C — C-phase current, in amperes

vector

C-phase current, in amperes, specified as a vector. The vector must be monotonically increasing and two-sided (contain both positive and negative values). Best practice is to include zero current as one of the points.

Data Types: `double`

X — Rotor angle, in radians

vector

The rotor angle, in radians, specified as a vector. The values must be in the range from zero to $2\pi/N$, where N is the number of pole pairs.

Data Types: `double`

F — Flux linkage, in weber-turns

four-dimensional matrix

The flux linkage, in weber-turns, specified as a four-dimensional matrix, with dimensions corresponding to the three phase currents and rotor angle. The data must be cyclical in the fourth (rotor angle) dimension, that is, for all i, j , and k , $F(i,j,k,0) = F(i,j,k,2\pi/N)$, where N is the number of pole pairs.

Data Types: `double`

Output Arguments

dFdA — Flux linkage partial derivative with respect to the A-phase current

matrix

Flux linkage partial derivative with respect to the A-phase current, returned as a matrix. For syntax used with the 4-D Data variant of the block, the matrix is four-dimensional. For syntax used with the 3-D Data variant of the block, the matrix is three-dimensional, the first two dimensions corresponding to the d -axis and q -axis currents, and the third dimension corresponding to the rotor angle.

dFdB — Flux linkage partial derivative with respect to the B-phase current

matrix

Flux linkage partial derivative with respect to the B-phase current, returned as a matrix. For syntax used with the 4-D Data variant of the block, the matrix is four-dimensional. For syntax used with the

3-D Data variant of the block, the matrix is three-dimensional, the first two dimensions corresponding to the d -axis and q -axis currents, and the third dimension corresponding to the rotor angle.

dF_{dC} — Flux linkage partial derivative with respect to the C-phase current

matrix

Flux linkage partial derivative with respect to the C-phase current, returned as a matrix. For syntax used with the 4-D Data variant of the block, the matrix is four-dimensional. For syntax used with the 3-D Data variant of the block, the matrix is three-dimensional, the first two dimensions corresponding to the d -axis and q -axis currents, and the third dimension corresponding to the rotor angle.

dF_{dX} — Flux linkage partial derivative with respect to the rotor angle

matrix

Flux linkage partial derivative with respect to the rotor angle, returned as a matrix. For syntax used with the 4-D Data variant of the block, the matrix is four-dimensional. For syntax used with the 3-D Data variant of the block, the matrix is three-dimensional, the first two dimensions corresponding to the d -axis and q -axis currents, and the third dimension corresponding to the rotor angle.

D — D-axis current, in amperes

vector

D -axis current, in amperes, returned as a vector. This is an optional output argument, to be used when you want to generate 3-D flux linkage partial derivatives. The vector defines the d -axis current values at which the partial derivatives are determined.

Q — Q-axis current, in amperes

vector

Q -axis current, in amperes, returned as a vector. This is an optional output argument, to be used when you want to generate 3-D flux linkage partial derivatives. The vector defines the q -axis current values at which the partial derivatives are determined.

Algorithms

The function calculates partial derivatives using Akima splines, the same method that is used for smooth interpolation in the Simscape language `tablelookup` function. For more information, see `makima`. Akima splines are suitable for estimating partial derivatives due to their smooth nature and tendency not to introduce local gradient reversals.

See Also

`ee_generateIdealPMSMfluxData`

Introduced in R2017a

ee_calculateThdPercent

Compute the total harmonic distortion (THD) percentage

Syntax

```
[thdPercent] = ee_calculateThdPercent(harmonicOrder,...
harmonicMagnitude)
```

Description

[thdPercent] = ee_calculateThdPercent(harmonicOrder,... harmonicMagnitude) calculates the total harmonic distortion (THD) percentage using these equations:

$$M = \frac{\text{harmonic magnitude}}{\sqrt{2}},$$

and

$$\%THD = 100 \frac{\sqrt{\sum_{i=2}^n M_i^2}}{M_1},$$

where:

- M_i is the root mean square (RMS) value of the harmonic magnitude corresponding to the i^{th} harmonic order.
- M is V_{RMS} or I_{RMS} as required.

You can use the ee_getHarmonics function to obtain the vectors of harmonic order and harmonic magnitude for a `simscape.logging.Node`.

Examples

Calculate THD percent

Calculate the THD from harmonic orders [1;5;7;11;13] and harmonic magnitudes [1.1756e+03;0.0437e+03;0.0221e+03;0.0173e+03;0.0127e+03].

```
harmonicOrder = [1;5;7;11;13];
harmonicMagnitude = [1.1756e+03;0.0437e+03;0.0221e+03;0.0173e+03;...
0.0127e+03];
thdPercent = ee_calculateThdPercent( harmonicOrder, harmonicMagnitude )

thdPercent = 4.5480
```

Input Arguments

harmonicOrder — Harmonic orders

vector

Harmonic orders from 0 up to and including number of harmonics, specified as a vector.

Example: [1;5;7;11;13]

Data Types: single | double | int8 | int16 | int32 | int64 | uint8 | uint16 | uint32 | uint64

harmonicMagnitude — Harmonic magnitudes

vector

Harmonic magnitudes from the 0th harmonic up to and including the number of harmonics included in the analysis, specified as a vector.

Example: [1.1756e+03;0.0437e+03;0.0221e+03;0.0173e+03;0.0127e+03]

Data Types: single | double | int8 | int16 | int32 | int64 | uint8 | uint16 | uint32 | uint64

See Also

Blocks

Spectrum Analyzer

Functions

ee_getHarmonics | ee_plotHarmonics | sscexplore

Objects

simscape.logging.Node

Topics

“Perform an Online Harmonic Analysis Using the Simscape Spectrum Analyzer Block”

“Choose a Simscape Electrical Function for an Offline Harmonic Analysis”

“Data Logging”

“Harmonic Analysis of a Three-Phase Rectifier”

Introduced in R2014a

ee_convertedMosfetValidation

Generate standard MOSFET characteristics for Simscape and validate conversion results against LTspice

Syntax

```
[outputData] = convertedMosfetValidation(filename,Name,Value)
```

Description

[outputData] = convertedMosfetValidation(filename,Name,Value) takes a Simscape™ ssc file name and a set of name-value pairs and returns these characteristics:

- Id versus Vgs
- Id versus Vds
- Gate charge (Qiss)
- Output charge (Qoss)
- Breakdown voltage

If you also provide the SPICE netlist files as an input, **outputData** also includes the plots from both Simscape and LTspice. When the signals are below the tolerance values, you can observe the differences between the Simscape and LTspice results.

This function supports LTspice XVII.

Examples

Call ee_convertedmosfetvalidation function to generate, plot, and compare simulation results

Generate the MOSFET standard characteristics and plot the results to compare them with the results obtained in LTspice.

```
[outputData] = EE_CONVERTEDMOSFETVALIDATION('ee_BSC019N02KS.ssc',...
'SPICEFile','ee_SPICEOptiMOS20V.lib','Subcircuit','BSC019N02KS',...
'SPICEPath','C:\Program Files\LTC\LTspiceXVII\XVIIx64.exe',...
'CheckIdVgs',1,'CheckIdVds',1,'CheckQiss',1,'CheckQoss',1,...
'CheckBreakdown',1,'Vt',1.5,'Vds',15,'RelTol',1e-5,'AbsTol',1e-5,...
'VnTol',1e-5,'Ciss',23e-9,'Coss',3e-9,'AbsErrTol',1e-2,'RelErrTol',...
0.1,'BreakdownScalingForVds',3,'GeneratePlots',1)
```

Input Arguments

filename — File name

character vector

Name of the Simscape ssc file you want to generate the characteristics from, specified as a character vector.

Name-Value Pair Arguments

Specify optional comma-separated pairs of **Name**, **Value** arguments. **Name** is the argument name and **Value** is the corresponding value. **Name** must appear inside quotes. You can specify several name and value pair arguments in any order as **Name1, Value1, . . . , NameN, ValueN**.

Example: 'SPICEFile', 'ee_SPICEOptiMOS20V.lib', 'Subcircuit', 'BSC019N02KS'

SPICEFile — SPICE netlist file

character vector

Name of the SPICE netlist file you want to generate the characteristics from, specified as the comma-separated pair consisting of 'SPICEFile' and a character vector.

Subcircuit — SPICE subcircuit

character vector

Name of the subcircuit from a SPICE netlist file, specified as the comma-separated pair consisting of 'Subcircuit' and a character vector.

SPICEPath — Path of the LTspice executable file

character vector

Path of the LTspice executable file, specified as the comma-separated pair consisting of 'SPICEPath' and a character vector.

Vt — Threshold voltage

1.4 (default) | positive scalar

Approximate value of the threshold voltage of a MOSFET, in volts, specified as the comma-separated pair consisting of 'Vt' and a positive scalar. This variable is used to determine the range of the gate-source voltage for plotting. The gate-source voltage sweeps from 0 to 3 * Vt for Id versus Vgs characteristics.

Vds — Maximum drain-to-source voltage

20 (default) | positive scalar

Approximate value of the maximum drain-to-source voltage for a MOSFET, in volts, specified as the comma-separated pair consisting of 'Vds' and a positive scalar. This variable is used to determine the range of the drain-source voltage for plotting. The drain-source voltage sweeps from 0 to Vds for Id versus Vds characteristics.

CheckIdVgs — Id versus Vgs test flag

1 (default) | 0

Id versus Vgs test flag, specified as the comma-separated pair consisting of 'CheckIdVgs' and either 0 or 1. To run the Id versus Vgs test, set this value to 1.

CheckIdVds — Id versus Vds test flag

1 (default) | 0

Id versus Vds test flag, specified as the comma-separated pair consisting of 'CheckIdVds' and either 0 or 1. To run the Id versus Vds test, set this value to 1.

CheckQiss — Gate charge test flag

0 (default) | 1

Gate charge test flag, specified as the comma-separated pair consisting of 'CheckQiss' and either 0 or 1. To run the gate charge test, set this value to 1.

CheckQoss — Output charge test

0 (default) | 1

Output charge test flag, specified as the comma-separated pair consisting of 'CheckQoss' and either 0 or 1. To run the output charge test, set this value to 1.

CheckBreakdown — Breakdown test

0 (default) | 1

Breakdown test flag, specified as the comma-separated pair consisting of 'CheckBreakdown' and either 0 or 1. To run the breakdown test, set this value to 1.

Ciss — Input capacitance

440e-12 (default) | scalar

Approximate value of the input capacitance, in farad, used to determine the driving current for a Qiss characteristic, specified as the comma-separated pair consisting of 'Ciss' and a scalar.

Coss — Output capacitance

30e-12 (default) | scalar

Approximate value of the output capacitance used to determine the driving current for a Qoss characteristic, in farad, specified as the comma-separated pair consisting of 'Coss' and a scalar.

RelTol — Relative tolerance

1e-4 (default) | scalar

Relative tolerance parameter used in SPICE simulations, specified as the comma-separated pair consisting of 'RelTol' and a scalar.

AbsTol — Absolute tolerance

1e-4 (default) | scalar

Absolute current tolerance parameter used in SPICE simulations, specified as the comma-separated pair consisting of 'AbsTol' and a scalar.

VnTol — Absolute voltage tolerance

1e-4 (default) | scalar

Absolute voltage tolerance parameter used in SPICE simulations, specified as the comma-separated pair consisting of 'VnTol' and a scalar.

BreakdownScalingForVds — Breakdown test

2 (default) | scalar

Coefficient of Vds for breakdown test, specified as the comma-separated pair consisting of 'BreakdownScalingForVds' and a scalar. The drain voltage increases up to BreakdownScalingForVds * Vds.

GeneratePlots — Plot generation

0 (default) | 1

Whether to plot the results of the simulations, specified as the comma-separated pair consisting of 'GeneratePlots' and either 0 or 1.

AbsErrTol — Absolute error tolerance

1e-3 (default) | scalar

Value of the absolute error tolerated between the SPICE and Simscape results, specified as the comma-separated pair consisting of 'AbsErrTol' and a scalar.

RelErrTol — Relative error tolerance

1e-2 (default) | scalar

Value of the relative error tolerated between the SPICE and Simscape results compared to SPICE, specified as the comma-separated pair consisting of 'RelErrTol' and a scalar. The indices for the differences beyond the error tolerances are stored in the output argument, `outputData`, when the absolute and relative errors between the SPICE and Simscape results are greater than 'AbsErrTol' and 'RelErrTol', respectively.

Output Arguments

outputData — Simulation results

structure

Simulation results, returned as a structure with these fields:

plots — Simulation plot results

structure

Table with the plot results, returned as a structure, that contains:

- The voltage and current values for SPICE and Simscape for the Id versus Vgs, Id versus Vds, and Breakdown tests
- The voltage indices for the differences beyond the error tolerances for Id versus Vgs, Id versus Vds, and Breakdown tests
- The simulation time values and the voltage values for SPICE and Simscape for SPICE and Simscape for gate charge and output charge tests
- The simulation time indices for the differences beyond the error tolerances for gate charge and output charge tests

SPICE_netlist_file — SPICE netlist file name

character vector

Name of the SPICE netlist file, returned as a character vector.

SPICE_netlist_file_timestamp — Timestamp of SPICE netlist file

character vector

Timestamp of the SPICE netlist file, returned as a character vector.

Simscape_file — Simscape file name

character vector

Name of the Simscape file, returned as a character vector.

Simscape_file_timestamp — Timestamp of Simscape file
character vector

Timestamp of the Simscape file, returned as a character vector

See Also

subcircuit2ssc

Topics

“Converting a SPICE Netlist to Simscape Blocks”

Introduced in R2020b

ee_generateIdealPMSMfluxData

Generate tabulated flux linkage data for ideal PMSM

Syntax

```
[F,T,dFdA,dFdB,dFdC,dFdX] = ee_generateIdealPMSMfluxData(PM,Ld,Lq,L0,A,B,C,X)
F = ee_generateIdealPMSMfluxData(PM,Ld,Lq,L0,A,B,C,X)
[F,T,dFdA,dFdB,dFdC,dFdX] = ee_generateIdealPMSMfluxData(PM,Ld,Lq,L0,D,Q,X)
F = ee_generateIdealPMSMfluxData(PM,Ld,Lq,L0,D,Q,X)
```

Description

`[F,T,dFdA,dFdB,dFdC,dFdX] = ee_generateIdealPMSMfluxData(PM,Ld,Lq,L0,A,B,C,X)` generates 4-D flux linkage data, including torque and partial derivatives, for an ideal permanent magnet synchronous motor (PMSM).

Use this function to create test data for the FEM-Parameterized PMSM block, either for validation purposes or to set up a model before the actual flux linkage data is available.

`F = ee_generateIdealPMSMfluxData(PM,Ld,Lq,L0,A,B,C,X)` generates 4-D flux linkage matrix \bar{F} for an ideal PMSM.

`[F,T,dFdA,dFdB,dFdC,dFdX] = ee_generateIdealPMSMfluxData(PM,Ld,Lq,L0,D,Q,X)` generates 3-D flux linkage data, including torque and partial derivatives, for an ideal PMSM.

`F = ee_generateIdealPMSMfluxData(PM,Ld,Lq,L0,D,Q,X)` generates 3-D flux linkage matrix F for an ideal PMSM.

Examples

Generate 4-D Flux Linkage Data

Specify the motor parameters.

```
PM = 0.1;      % Permanent magnet flux
N = 6;        % Number of pole pairs
Ld = 0.0002;  % D-axis inductance
Lq = 0.0002;  % Q-axis inductance
L0 = 0.00018; % Zero-sequence inductance
Rs = 0.013;   % Stator resistance
```

Define the phase current vectors.

```
iA = linspace(-250,250,5);
iB = iA;
iC = iA;
```

Specify the rotor angle vector based on the number of pole pairs.

```
X = pi/180*linspace(0,360/N,180/N+1);
```

Tabulate flux linkage partial derivatives and torque in terms of A-,B-,C-currents and rotor angle

```
[F,T,dFdA,dFdB,dFdC,dFdX] = ee_generateIdealPMSMfluxData(PM,Ld,Lq,L0,iA,iB,iC,X);
```

The function returns a 4-D flux linkage matrix F , a 4-D torque matrix T , and four 4-D matrices for the flux linkage partial derivatives. The four partial derivative matrices correspond to the three phase currents and the rotor angle, respectively. The matrix dimensions correspond to the three phase currents and the rotor angle.

Generate 4-D Flux Linkage Matrix F

Specify the motor parameters.

```
PM = 0.1;      % Permanent magnet flux
N = 6;        % Number of pole pairs
Ld = 0.0002;  % D-axis inductance
Lq = 0.0002;  % Q-axis inductance
L0 = 0.00018; % Zero-sequence inductance
Rs = 0.013;   % Stator resistance
```

Define the phase current vectors.

```
iA = linspace(-250,250,5);
iB = iA;
iC = iA;
```

Specify the rotor angle vector based on the number of pole pairs.

```
X = pi/180*linspace(0,360/N,180/N+1);
```

Tabulate flux linkage partial derivatives and torque in terms of A-,B-,C-currents and rotor angle

```
F = ee_generateIdealPMSMfluxData(PM,Ld,Lq,L0,iA,iB,iC,X);
```

The function returns a 4-D flux linkage matrix F . The matrix dimensions correspond to the three phase currents and the rotor angle.

Generate 3-D Flux Linkage Data

Specify the motor parameters.

```
PM = 0.1;      % Permanent magnet flux
N = 6;        % Number of pole pairs
Ld = 0.0002;  % D-axis inductance
Lq = 0.0002;  % Q-axis inductance
L0 = 0.00018; % Zero-sequence inductance
Rs = 0.013;   % Stator resistance
```

Define the d -axis and q -axis current vectors.

```
iD = linspace(-250,250,5);
iQ = iD;
```

Specify the rotor angle vector based on the number of pole pairs.

```
X = pi/180*linspace(0,360/N,180/N+1);
```

Tabulate flux linkage partial derivatives and torque in terms of d -axis and q -axis currents and rotor angle.

```
[F,T,dFdA,dFdB,dFdC,dFdX] = ee_generateIdealPMSMfluxData(PM,Ld,Lq,L0,iD,iQ,X);
```

The function returns a 3-D flux linkage matrix F , a 3-D torque matrix T , and four 3-D matrices for the flux linkage partial derivatives. The four partial derivative matrices correspond to the three phase currents and the rotor angle, respectively. The matrix dimensions correspond to the d -axis and q -axis currents and the rotor angle.

Generate 3-D Flux Linkage Matrix F

Specify the motor parameters.

```
PM = 0.1;      % Permanent magnet flux
N = 6;        % Number of pole pairs
Ld = 0.0002;  % D-axis inductance
Lq = 0.0002;  % Q-axis inductance
L0 = 0.00018; % Zero-sequence inductance
Rs = 0.013;   % Stator resistance
```

Define the d -axis and q -axis current vectors.

```
iD = linspace(-250,250,5);
iQ = iD;
```

Specify the rotor angle vector based on the number of pole pairs.

```
X = pi/180*linspace(0,360/N,180/N+1);
```

Tabulate flux linkage partial derivatives and torque in terms of d -axis and q -axis currents and rotor angle.

```
F = ee_generateIdealPMSMfluxData(PM,Ld,Lq,L0,iD,iQ,X);
```

The function returns a 3-D flux linkage matrix F . The matrix dimensions correspond to the d -axis and q -axis currents and the rotor angle.

Input Arguments

PM — Peak permanent magnet flux linkage, in weber-turns

scalar

Peak permanent magnet flux linkage, in weber-turns, specified as a scalar.

Data Types: double

Ld — D-axis inductance, in henries

scalar

D -axis inductance, in henries, specified as a scalar.

Data Types: double

Lq — Q-axis inductance, in henries

scalar

Q -axis inductance, in henries, specified as a scalar.

Data Types: double

L0 — Zero-sequence inductance, in henries

scalar

Zero-sequence inductance, in henries, specified as a scalar.

Data Types: `double`**A — A-phase current, in amperes**

vector

A-phase current, in amperes, specified as a vector. The vector must be monotonically increasing and two-sided (contain both positive and negative values). Best practice is to include zero current as one of the points. Use this input argument to generate 4-D flux linkage data.

Data Types: `double`**B — B-phase current, in amperes**

vector

B-phase current, in amperes, specified as a vector. The vector must be monotonically increasing and two-sided (contain both positive and negative values). Best practice is to include zero current as one of the points. Use this input argument to generate 4-D flux linkage data.

Data Types: `double`**C — C-phase current, in amperes**

vector

C-phase current, in amperes, specified as a vector. The vector must be monotonically increasing and two-sided (contain both positive and negative values). Best practice is to include zero current as one of the points. Use this input argument to generate 4-D flux linkage data.

Data Types: `double`**D — D-axis current, in amperes**

vector

D-axis current, in amperes, specified as a vector. The vector must be monotonically increasing and two-sided (contain both positive and negative values). Best practice is to include zero current as one of the points. Use this input argument to generate 3-D flux linkage data.

Data Types: `double`**Q — Q-axis current, in amperes**

vector

Q-axis current, in amperes, specified as a vector. The vector must be monotonically increasing and two-sided (contain both positive and negative values). Best practice is to include zero current as one of the points. Use this input argument to generate 3-D flux linkage data.

Data Types: `double`**X — Rotor angle, in radians**

vector

The rotor angle, in radians, specified as a vector. The values must be in the range from zero to $2\pi/N$, where N is the number of pole pairs.

Data Types: double

Output Arguments

F — Flux linkage

matrix

The flux linkage, in weber-turns, returned as a matrix. The matrix can be four-dimensional or three-dimensional, depending on the syntax used to call the function. In a four-dimensional matrix, the first three dimensions correspond to the phase currents, and the fourth dimension corresponds to the rotor angle. In a three-dimensional matrix, the first two dimensions correspond to the d -axis and q -axis currents, and the third dimension corresponds to the rotor angle.

T — Torque

matrix

Torque, in N*m, returned as a matrix. The matrix can be four-dimensional or three-dimensional, depending on the syntax used to call the function. In a four-dimensional matrix, the first three dimensions correspond to the phase currents, and the fourth dimension corresponds to the rotor angle. In a three-dimensional matrix, the first two dimensions correspond to the d -axis and q -axis currents, and the third dimension corresponds to the rotor angle.

dFdA — Flux linkage partial derivative with respect to the A-phase current

matrix

Flux linkage partial derivative with respect to the A-phase current, returned as a matrix. The matrix can be four-dimensional or three-dimensional, depending on the syntax used to call the function. In a four-dimensional matrix, the first three dimensions correspond to the phase currents, and the fourth dimension corresponds to the rotor angle. In a three-dimensional matrix, the first two dimensions correspond to the d -axis and q -axis currents, and the third dimension corresponds to the rotor angle.

dFdB — Flux linkage partial derivative with respect to the B-phase current

matrix

Flux linkage partial derivative with respect to the B-phase current, returned as a matrix. The matrix can be four-dimensional or three-dimensional, depending on the syntax used to call the function. In a four-dimensional matrix, the first three dimensions correspond to the phase currents, and the fourth dimension corresponds to the rotor angle. In a three-dimensional matrix, the first two dimensions correspond to the d -axis and q -axis currents, and the third dimension corresponds to the rotor angle.

dFdC — Flux linkage partial derivative with respect to the C-phase current

matrix

Flux linkage partial derivative with respect to the C-phase current, returned as a matrix. The matrix can be four-dimensional or three-dimensional, depending on the syntax used to call the function. In a four-dimensional matrix, the first three dimensions correspond to the phase currents, and the fourth dimension corresponds to the rotor angle. In a three-dimensional matrix, the first two dimensions correspond to the d -axis and q -axis currents, and the third dimension corresponds to the rotor angle.

dFdX — Flux linkage partial derivative with respect to the rotor angle

matrix

Flux linkage partial derivative with respect to the rotor angle, returned as a matrix. The matrix can be four-dimensional or three-dimensional, depending on the syntax used to call the function. In a

four-dimensional matrix, the first three dimensions correspond to the phase currents, and the fourth dimension corresponds to the rotor angle. In a three-dimensional matrix, the first two dimensions correspond to the d -axis and q -axis currents, and the third dimension corresponds to the rotor angle.

Algorithms

The flux linking each winding has contributions from the permanent magnet plus the three windings. Therefore, the total flux is given by [1] on page 2-18:

$$\begin{bmatrix} \psi_a \\ \psi_b \\ \psi_c \end{bmatrix} = \begin{bmatrix} L_{aa} & L_{ab} & L_{ac} \\ L_{ba} & L_{bb} & L_{bc} \\ L_{ca} & L_{cb} & L_{cc} \end{bmatrix} \begin{bmatrix} i_a \\ i_b \\ i_c \end{bmatrix} + \begin{bmatrix} \psi_{am} \\ \psi_{bm} \\ \psi_{cm} \end{bmatrix}$$

$$L_{aa} = L_s + L_m \cos(2\theta_r)$$

$$L_{bb} = L_s + L_m \cos(2(\theta_r - 2\pi/3))$$

$$L_{cc} = L_s + L_m \cos(2(\theta_r + 2\pi/3))$$

$$L_{ab} = L_{ba} = -M_s - L_m \cos(\theta_r + \pi/6)$$

$$L_{bc} = L_{cb} = -M_s - L_m \cos(\theta_r + \pi/6 - 2\pi/3)$$

$$L_{ca} = L_{ac} = -M_s - L_m \cos(\theta_r + \pi/6 + 2\pi/3)$$

$$\psi_{am} = \psi_m \cos \theta_e$$

$$\psi_{bm} = \psi_m \cos(\theta_e - 2\pi/3)$$

$$\psi_{cm} = \psi_m \cos(\theta_e + 2\pi/3)$$

Here, θ_e is the electrical angle, which is related to rotor angle θ_r by $\theta_e = N \cdot \theta_r$. The function assumes that the permanent magnet flux linking the A-phase winding is at the maximum for $\theta_e = 0$.

The function output F corresponds to ψ_a tabulated as a function of A-phase current, B-phase current, C-phase current, and rotor angle.

L_s , L_m , and M_s are related to input arguments L_d , L_q , and L_0 by:

$$L_s = \frac{L_0}{3} + \frac{L_d}{3} + \frac{L_q}{3}$$

$$M_s = \frac{L_d}{6} - \frac{L_0}{3} + \frac{L_q}{6}$$

$$L_m = \frac{L_d}{3} - \frac{L_q}{3}$$

References

- [1] Anderson, P.M. *Analysis of Faulted Power Systems*. 1st Edition. Wiley-IEEE Press, July 1995, p.187.

See Also

ee_calculateFluxPartialDerivatives

Topics

“HEV PMSM Drive Test Harness”

“PMSM Iron Losses”

Introduced in R2017a

ee_getEfficiency

Calculate efficiency as function of dissipated power losses

Syntax

```
efficiency = ee_getEfficiency('loadIdentifier',node)
efficiency = ee_getEfficiency('loadIdentifier',node,...
startTime,endTime)
[efficiency,lossesTable] = ee_getEfficiency('loadIdentifier',node)
```

Description

`efficiency = ee_getEfficiency('loadIdentifier',node)` returns the efficiency of a circuit based on the data extracted from a Simscape logging node.

Before you call this function, you must have the simulation log variable in your current workspace. Create the simulation log variable by simulating the model with data logging turned on, or load a previously saved variable from a file. If `node` is the name of the simulation log variable, then the table contains the data for all semiconductor blocks in the model. If `node` is the name of a node in the simulation data tree, then the table contains the data only for the blocks within that node.

Checking efficiency allows you to determine if circuit components are operating within their requirements. All blocks in the Semiconductor Devices library, as well as some other blocks, have an internal variable called `power_dissipated`, which represents the instantaneous power dissipated by the block. This instantaneous dissipated power includes only the real power (not the reactive or apparent power) that the block dissipates. When you log simulation data, the time-value series for this variable represents the power dissipated by the block over time. You can view and plot this data using the Simscape Results Explorer. The `ee_getPowerLossTimeSeries` function also allows you to access this data.

Note The `power_dissipated` internal variable does not report dynamic losses incurred from semiconductor switching or magnetic hysteresis.

The `ee_getEfficiency` function calculates the efficiency of the circuit based on the losses for blocks that have a `power_dissipated` variable and that you identify as a load block. The equation for efficiency is

$$Eff = 100 \cdot \frac{P_{load}}{P_{loss} + P_{load}}$$

where:

- Eff is the efficiency of the circuit.
- P_{load} is the output power, that is, the power dissipated by load blocks.
- P_{loss} is the power dissipated by nonload blocks.

This equation assumes that all loss mechanisms are captured by blocks containing at least one `power_dissipated` variable. If the model contains any lossy blocks that do not have this variable, the efficiency calculation gives incorrect results.

Some blocks have more than one `power_dissipated` variable, depending on their configuration. For example, the N-Channel MOSFET block has separate `power_dissipated` logging nodes for the MOSFET, the gate resistor, and for the source and drain resistors if they have nonzero resistance values. The function sums all these losses to provide the total power loss for the block, averaged over simulation time. The function uses the loss data to calculate the efficiency of the circuit.

`efficiency = ee_getEfficiency('loadIdentifier',node,...
startTime,endTime)` returns the efficiency of a circuit based on the `power_dissipated` data extracted from a Simscape logging node within a time interval. `startTime` and `endTime` represent the start and end of the time interval for calculating the efficiency. If you omit these two input arguments, the function calculates the efficiency over the whole simulation time.

`[efficiency,lossesTable] = ee_getEfficiency('loadIdentifier',node)` returns the efficiency of a circuit and the power loss contributions of the nonload blocks in a circuit based on the data extracted from a Simscape logging node.

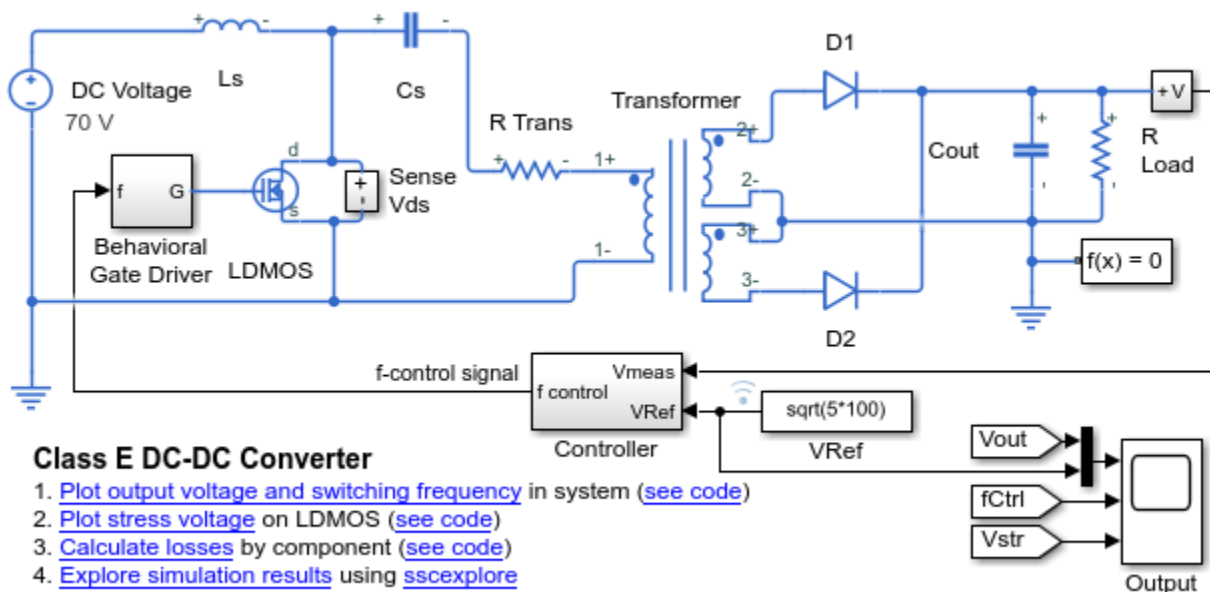
Examples

Calculate Efficiency for a Circuit

This example shows how to calculate efficiency based on the power dissipated by blocks in a circuit using the `ee_getEfficiency` function.

Open the model. At the MATLAB® command prompt, enter:

```
model = 'ee_converter_dc_dc_class_e';  
open_system(model)
```



The load in the model is represented by the R Load resistor. No other blocks with `power_dissipated` variables contain Load in their names. Therefore, you can use the string Load as the `loadIdentifier` argument.

If no string at least partially matches the names of all load blocks in your circuit, rename the load blocks using a schema that satisfies the matching criteria for the `loadIdentifier` argument.

This example model has data logging enabled. Run the simulation and create the simulation log variable.

```
sim(model)
```

The simulation log variable `simlog_ee_converter_dcdc_class_e` is saved in your current workspace.

Calculate efficiency and display the results.

```
efficiency = ee_getEfficiency('Load',simlog_ee_converter_dcdc_class_e)
```

```
efficiency =
```

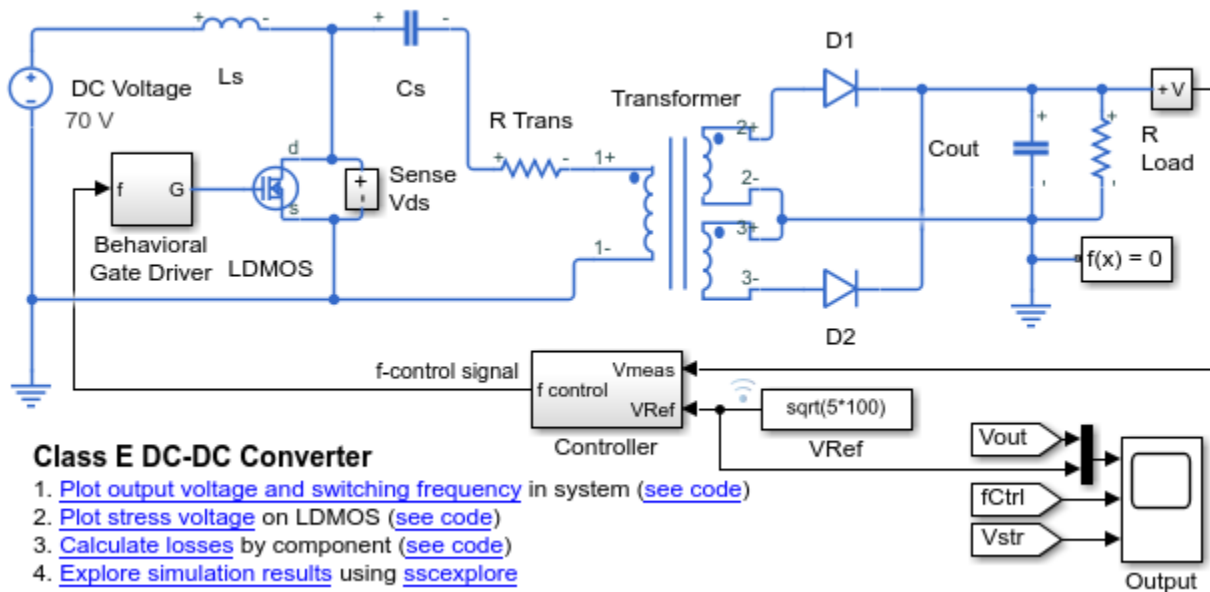
```
    90.0324
```

Calculate Efficiency of a Circuit for a Specific Time Period

This example shows how to calculate efficiency based on the power dissipated for a specific time period using the `ee_getEfficiency` function.

Open the model. At the MATLAB® command prompt, enter:

```
model = 'ee_converter_dcdc_class_e';  
open_system(model)
```



The load in the model is represented by the R Load resistor. No other blocks with `power_dissipated` variables contain Load in their names. Therefore, you can use the string Load as the `loadIdentifier` argument.

If no string at least partially matches the names of all load blocks in your circuit, rename the load blocks using a schema that satisfies the matching criteria for the `loadIdentifier` argument.

This example model has data logging enabled. Run the simulation and create the simulation log variable.

```
sim(model)
```

The simulation log variable `simlog_ee_converter_dcdc_class_e` is saved in your current workspace.

The model simulation time (`t`) is `1.25e-4` seconds. Calculate efficiency for the interval when `t` is between `1e-4` and `1.25e-4` seconds.

```
efficiency = ee_getEfficiency('Load',simlog_ee_converter_dcdc_class_e,1e-4,1.25e-4)
```

```
efficiency =
```

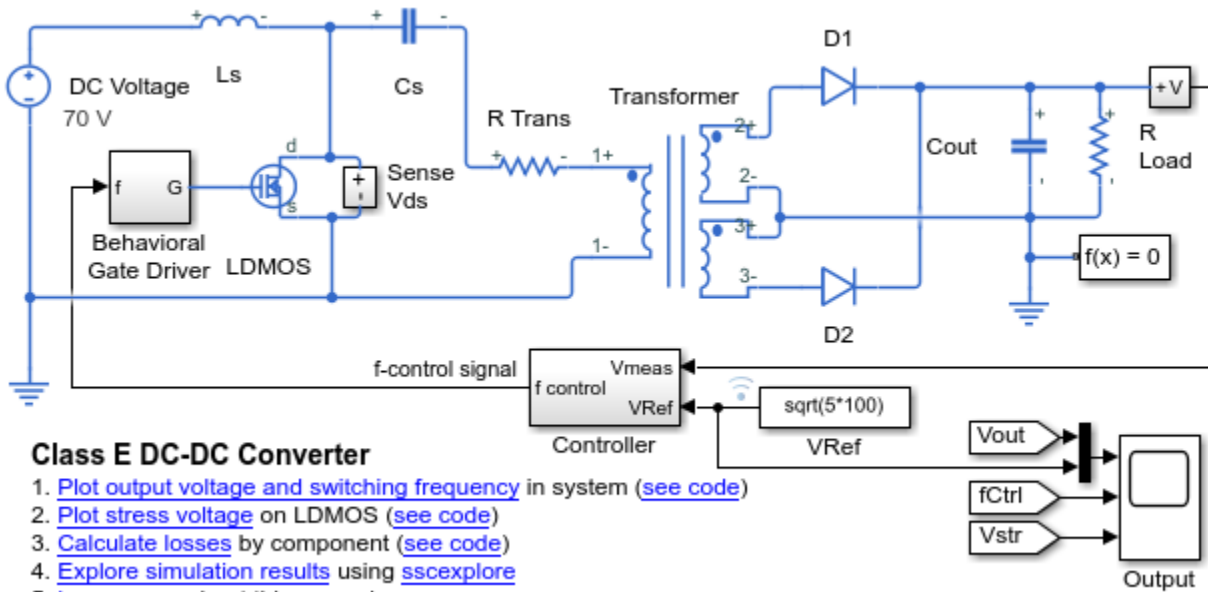
```
90.4879
```

Calculate Efficiency and Power-Loss Contributions

This example shows how using the `ee_getEfficiency` function allows you to calculate both the efficiency of the circuit and the power-loss contributions of the nonload blocks based on the power that they dissipate.

Open the model. At the MATLAB® command prompt, enter:

```
model = 'ee_converter_dcdc_class_e';
open_system(model)
```



The load in the model is represented by the R Load resistor. No other blocks with `power_dissipated` variables contain Load in their names. Therefore, you can use the string Load as the `loadIdentifier` argument.

If no string at least partially matches the names of all load blocks in your circuit, rename the load blocks using a schema that satisfies the matching criteria for the `loadIdentifier` argument.

This example model has data logging enabled. Run the simulation and create the simulation log variable.

```
sim(model)
```

The simulation log variable `simlog_ee_converter_dcdc_class_e` is saved in your current workspace.

Calculate the efficiency and power-loss contributions due to dissipated power.

```
[efficiency, lossesTable] = ee_getEfficiency('Load', simlog_ee_converter_dcdc_class_e)
```

```
efficiency =
```

```
90.0324
```

```
lossesTable =
```

```
7x2 table
```

LoggingNode	Power
{'ee_converter_dcdc_class_e.LDMOS' }	3.6584
{'ee_converter_dcdc_class_e.R_Trans.Resistor' }	2.911
{'ee_converter_dcdc_class_e.D2' }	1.9446
{'ee_converter_dcdc_class_e.D1' }	1.8371
{'ee_converter_dcdc_class_e.Cs' }	0.27392
{'ee_converter_dcdc_class_e.Ls' }	0.27098
{'ee_converter_dcdc_class_e.Cout' }	0.00044579

Input Arguments

'loadIdentifier' – Identify load blocks in the circuit

case-sensitive string

String that is a complete or partial match for the names of load blocks in the circuit. For example, consider a circuit that contains the four semiconductor blocks shown in the table.

Block Name in the Model	IGBT	IGBT1_Load	Diode	Diode1	
Block Type	N-Channel IGBT	N-Channel IGBT	Diode	Diode	
Block Role in the Model	Source	Load	Load	Load	
'loadIdentifier'	'IGBT'	Yes	Yes	No	No
	'Diode'	No	No	Yes	Yes
	'Load'	No	Yes	No	No
	'1'	No	Yes	No	Yes
	'D'	No	No	Yes	Yes
	'd'	No	Yes	Yes	Yes

The ee_getEfficiency function returns data just for the three load blocks only when the 'loadIdentifier' is 'd'.

A load-block naming schema that gives you better control over the output of the ee_getEfficiency function is shown in this table.

Block Name in the Model	IGBT	IGBT1_Load	Diode_Load	Diode1_Load	
Block Type	N-Channel IGBT	N-Channel IGBT	Diode	Diode	
Block Role in the Model	Source	Load	Load	Load	
'loadIdentifier'	'IGBT'	Yes	Yes	No	No
	'Diode'	No	No	Yes	Yes
	'Load'	No	Yes	Yes	Yes

Example: 'Load'

Data Types: string

node — Simulation log variable, or a specific node within the simulation log variable

Node object

Simulation log workspace variable, or a node within this variable, that contains the logged model simulation data, specified as a Node object. You specify the name of the simulation log variable by using the **Workspace variable name** parameter on the **Simscape** pane of the Configuration Parameters dialog box. To specify a node within the simulation log variable, provide the complete path to that node through the simulation data tree, starting with the top-level variable name.

If `node` is the name of the simulation log variable, then the table contains the data for all blocks in the model that contain `power_dissipated` variables. If `node` is the name of a node in the simulation data tree, then the table contains the data only for:

- Blocks or variables within that node
- Blocks or variables within subnodes at all levels of the hierarchy beneath that node

Example: `simlog.Cell1.MOS1`

startTime — Start of the time interval for calculating the efficiency

0 (default) | real number

Start of the time interval for calculating the efficiency, specified as a real number, in seconds. `startTime` must be greater than or equal to the simulation **Start time** and less than `endTime`.

Data Types: `double`

endTime — End of the time interval for calculating the efficiency

simulation stop time (default) | real number

End of the time interval for calculating the efficiency, specified as a real number, in seconds. `endTime` must be greater than `startTime` and less than or equal to the simulation **Stop time**.

Data Types: `double`

Output Arguments**efficiency — Efficiency of the circuit**

percentage

Efficiency of the circuit based on data extracted from a Simscape logging node.

lossesTable — Dissipated power for each nonload blocks

table

Dissipated power losses for each nonload block, returned as a table. The first column lists logging nodes for all blocks that have at least one `power_dissipated` variable. The second column lists the corresponding losses in watts.

Assumptions

- The output power equals the total power dissipated by blocks that you identify as load blocks.
- The input power equals the output power plus the total power dissipated by blocks that you do not identify as load blocks.

- The `power_dissipated` variables capture all loss contributions.

See Also

`ee_getPowerLossSummary` | `ee_getPowerLossTimeSeries` | `sscexplore`

Topics

“About Simulation Data Logging”

“About the Simscape Results Explorer”

Introduced in R2017a

ee_getHarmonics

Return harmonic orders, magnitudes, and fundamental frequency

Syntax

```
[harmonicOrder,harmonicMagnitude,fundamentalFrequency] =...
ee_getHarmonics(loggingNode)
[harmonicOrder,harmonicMagnitude,fundamentalFrequency] =...
ee_getHarmonics(loggingNode,valueIdx)
[harmonicOrder,harmonicMagnitude,fundamentalFrequency] =...
ee_getHarmonics(loggingNode,valueIdx,tOfInterest)
[harmonicOrder,harmonicMagnitude,fundamentalFrequency] =...
ee_getHarmonics(loggingNode,valueIdx,tOfInterest,nPeriodOfInterest)
[harmonicOrder,harmonicMagnitude,fundamentalFrequency] =...
ee_getHarmonics(loggingNode,valueIdx,tOfInterest,nPeriodOfInterest,...
offsetOfInterest)
[harmonicOrder,harmonicMagnitude,fundamentalFrequency] =...
ee_getHarmonics(loggingNode,valueIdx,tOfInterest,nPeriodOfInterest,...
offsetOfInterest,nHarmonic)
```

Description

[harmonicOrder,harmonicMagnitude,fundamentalFrequency] =...
 ee_getHarmonics(loggingNode) calculates the harmonic orders, magnitudes, and fundamental frequency of a `simscape.logging.Node` of an AC or periodic variable.

The function finds the points in the i^{th} signal (`valueIdx`) where the Simscape log crosses a threshold (`offsetOfInterest`). It uses the crossing points to find the required number of periods (`nPeriodOfInterest`) preceding the specified time (`tOfInterest`). Then it inputs the down-selected data to the Goertzel algorithm, which calculates the harmonic magnitudes up to and including the required number of harmonics (`nHarmonic`).

You enter the input arguments in a specific order. The Simscape logging node input argument is required. All other input arguments are optional and have default values. If you are specifying a value for a subsequent optional input argument, enter `[]` to use the default value for an optional input argument.

You can use the `ee_plotHarmonics` function to obtain a bar chart from the same input arguments. You can use the outputs of this function as inputs to the `ee_calculateThdPercent` function to calculate the total harmonic distortion (THD) percentage.

[harmonicOrder,harmonicMagnitude,fundamentalFrequency] =...
 ee_getHarmonics(loggingNode,valueIdx) uses the index into value data.

[harmonicOrder,harmonicMagnitude,fundamentalFrequency] =...
 ee_getHarmonics(loggingNode,valueIdx,tOfInterest) uses the simulation time.

[harmonicOrder,harmonicMagnitude,fundamentalFrequency] =...
 ee_getHarmonics(loggingNode,valueIdx,tOfInterest,nPeriodOfInterest) uses the number of periods of fundamental frequency.

[harmonicOrder,harmonicMagnitude,fundamentalFrequency] =...
 ee_getHarmonics(loggingNode,valueIdx,tOfInterest,nPeriodOfInterest,...
 offsetOfInterest) uses the DC offset.

[harmonicOrder,harmonicMagnitude,fundamentalFrequency] =...
 ee_getHarmonics(loggingNode,valueIdx,tOfInterest,nPeriodOfInterest,...
 offsetOfInterest,nHarmonic) uses the number of harmonics.

Examples

Analyze Using Default Values

This set of function arguments uses the Simscape logging node `simlog_ee_harmonics_rectifier.Sensing_current.Current_Sensor.I`, which contains data from a three-phase current. The function analyzes the default signal, which is the first, or a-phase, signal at the final simulation time. The function uses the default values of 12 for the number of periods of the signal, 0V for the signal bias, and 30 for the number of harmonics.

```
open_system('ee_harmonics_rectifier')
sim('ee_harmonics_rectifier')
[~,harmonicMagnitude,~]= ee_getHarmonics(simlog_ee_harmonics_rectifier.Sensing_current.Current_Sensor.I);
%harmonicMagnitude stores the peak values of the harmonics. To get the RMS values, divide by sqrt(2)
harmonicMagnitude./sqrt(2)
```

ans =

```
1.0e+03 *
Columns 1 through 14
    0.0000    1.3759    0.0000    0.0000    0.0000    0.1548    0.0000    0.0748    0.0000
    0.0000    0.0000    0.0602    0.0000    0.0407
Columns 15 through 28
    0.0000    0.0000    0.0000    0.0357    0.0000    0.0266    0.0000    0.0000
    0.0000    0.0239    0.0000    0.0187    0.0000    0.0000
Columns 29 through 31
    0.0000    0.0170    0.0000
```

Analyze Using Specified Values

This set of function arguments uses the Simscape logging node `simlog_ee_harmonics_rectifier.Sensing_current.Current_Sensor.I`, which contains data from a three-phase current. The function analyzes the second, or b-phase, signal at a simulation time of 0.5 s. The function uses 10 periods of the signal, assuming a bias of 1V. The function analyzes 15 harmonics.

```
open_system('ee_harmonics_rectifier')
sim('ee_harmonics_rectifier')
[~,harmonicMagnitude,~]= ee_getHarmonics(simlog_ee_harmonics_rectifier.Sensing_current.Current_Sensor.I,2,0.5,10,1,15);
%harmonicMagnitude stores the peak values of the harmonics. To get the RMS values, divide by sqrt(2)
harmonicMagnitude./sqrt(2)
```

ans =

```
1.0e+03 *
Columns 1 through 15
    0.0000    1.3761    0.0008    0.0005    0.0006    0.1544    0.0000    0.0748    0.0003
    0.0002    0.0003    0.0599    0.0001    0.0407    0.0004
Column 16
```

```
0.0003
```

Analyze Using Default and Specified Values

This set of function arguments uses the Simscape logging node `simlog_ee_harmonics_rectifier.Sensing_current.Current_Sensor.I`, which contains data from a three-phase current. The function analyzes the first, or a-phase, signal at a simulation time of 0.5 s. The function uses 12 periods of the signal, assuming a bias of 1V. The function analyzes the default number, 30, of harmonics.

```
open_system('ee_harmonics_rectifier')
sim('ee_harmonics_rectifier')
[-,harmonicMagnitude,~]= ee_getHarmonics(simlog_ee_harmonics_rectifier.Sensing_current.Current_Sensor.I,[],0.5,[],1);
%harmonicMagnitude stores the peak values of the harmonics. To get the RMS values, divide by sqrt(2)
harmonicMagnitude./sqrt(2)
```

```
ans =
```

```
1.0e+03 *
Columns 1 through 15
    0.0000    1.3759    0.0000    0.0000    0.0000    0.1548    0.0000    0.0748    0.0000
    0.0000    0.0000    0.0602    0.0000    0.0407    0.0000
Columns 16 through 30
    0.0000    0.0000    0.0357    0.0000    0.0266    0.0000    0.0000    0.0000    0.0239
    0.0000    0.0187    0.0000    0.0000    0.0000    0.0170
Column 31
    0.0000
```

Input Arguments

loggingNode — Simscape logging node

1-by-1 `simscape.logging.Node`

Simscape logging node, specified as a 1-by-1 `simscape.logging.Node`. You create a `simscape.logging.Node` by running a simulation with Simscape logging enabled. For information, see “Enable Data Logging for the Whole Model”.

Example: `simlog.Load.V`

The Simscape logging node `simlog.Load.V` contains data from a three-phase voltage.

valueIdx — Index into value data

1 (default) | scalar

Index into value data, specified as a scalar. Specifies the i^{th} variable of interest in the Simscape log.

Example: 2

Specify the b-phase, which is the second signal from a three-phase voltage.

Example: []

Use [] to specify the default value of 1. The a-phase, which is the first signal from a three-phase voltage, is the default signal of interest.

Data Types: `single` | `double` | `int8` | `int16` | `int32` | `int64` | `uint8` | `uint16` | `uint32` | `uint64`

tOfInterest – Simulation time

final time in Simscape log (default) | scalar

Simulation time of interest for harmonic analysis, specified as a scalar.

Example: 0.5

Specify a 0.5 s simulation time.

Data Types: single | double | int8 | int16 | int32 | int64 | uint8 | uint16 | uint32 | uint64

nPeriodOfInterest – Number of periods

12 (default) | scalar

Number of periods of fundamental frequency to be included in harmonic analysis, specified as a scalar.

Example: 10

Specify 10 periods of the signal.

Data Types: single | double | int8 | int16 | int32 | int64 | uint8 | uint16 | uint32 | uint64

offsetOfInterest – DC offset

0 (default) | scalar

DC offset in the input signal, specified as a scalar. The function uses this value to find the periods of interest.

Example: 1

Specify a bias of 1 V for the signal.

Data Types: single | double | int8 | int16 | int32 | int64 | uint8 | uint16 | uint32 | uint64

nHarmonic – Number of harmonics

30 (default) | scalar

Number of harmonics to include in analysis, specified as a scalar.

Example: 15

Specify that the number of harmonics to be analyzed is 15.

Data Types: single | double | int8 | int16 | int32 | int64 | uint8 | uint16 | uint32 | uint64

Output Arguments**harmonicOrder – Harmonic order**

vector

Harmonic orders from 0 up to and including the number of harmonics used in the analysis, returned as a vector.

harmonicMagnitude – Harmonic magnitude

vector

Harmonic magnitudes from the 0th harmonic up to and including the number of harmonics used in the analysis, returned as a vector.

fundamentalFrequency — Fundamental frequency

scalar

Fundamental frequency over the range of the down-selected input data, returned as a scalar.

Limitations

- This function requires that you use a fixed-step solver for the Simscape Electrical Power Systems network that you are analyzing. To specify a fixed-step solver for the physical network, use one of the configuration combinations in the table.

Configuration Combination	Global Solver Configuration	Local Solver Configuration
Global variable-step with local fixed-step	Set Type to Variable-step	Enable the options to Use local solver and Use fixed-cost runtime consistency iterations
Global and local fixed-step	Set Type to Fixed-step	Enable the options to Use local solver and Use fixed-cost runtime consistency iterations
Global fixed-step	Set Type to Fixed-step	Clear the option to Use local solver

- This function uses threshold crossing points to determine the fundamental frequency of the data. If your input data is noisy or crosses the threshold more frequently than half of the fundamental period, filter it before you use this function to analyze it.
- This function requires a minimal number of periods. If the minimal number is not met, the function generates a warning message. To increase the number of periods, use one or both of these methods:
 - Increase the simulation time.
 - Increase the switching frequency.

See Also**Blocks**

Spectrum Analyzer

Functions

ee_calculateThdPercent | ee_plotHarmonics | sscexplore

Objects

simscape.logging.Node

Topics

"Perform an Online Harmonic Analysis Using the Simscape Spectrum Analyzer Block"

"Choose a Simscape Electrical Function for an Offline Harmonic Analysis"

"Data Logging"

"Harmonic Analysis of a Three-Phase Rectifier"

Introduced in R2014a

ee_getNodeDvDtSummary

Calculate maximum absolute values of terminal voltage time derivatives (dv/dt) based on logged simulation data

Syntax

```
summaryTable = ee_getNodeDvDtSummary(node, tau)
summaryTable = ee_getNodeDvDtSummary(node, tau, startTime, endTime)
```

Description

`summaryTable = ee_getNodeDvDtSummary(node, tau)` calculates the maximum absolute values of rates-of-change of voltage variables for nodes that are based on the `foundation.electrical.electrical` domain, based on logged simulation data. The function returns the data for each terminal in a table. The data in the table appears in descending order according to the maximum magnitude of the rate-of-change of voltage variables with respect to the ground, over the whole simulation time. The table does not contain data for terminals that are held fixed.

Before you call this function, you must have the simulation log variable in your current workspace. Create the simulation log variable by simulating the model with data logging turned on, or load a previously saved variable from a file. If `node` is the name of the simulation log variable, then the table contains the data for all the blocks in the model that have nodes based on the `foundation.electrical.electrical` domain. If `node` is the name of a node in the simulation data tree, then the table contains the data only for the children of that node.

Examining rates-of-change of voltage variables in power electronics circuits is useful for determining the potential for unwanted conducted or radiated emissions. The rate-of-change data also helps you to identify switching devices that might be susceptible to parasitic turn-on. All nodes that are based on the `foundation.electrical.electrical` domain store the potential with respect to electrical ground as the variable `v`. When you log simulation data, the time-value series for this variable represents the trend of the potential over time. You can view and plot this data using the Simscape Results Explorer.

To evaluate the rates-of-change of voltage variables, the `ee_getNodeDvDtSummary` function employs finite difference approximation of the first derivative with respect to time. It performs 1-D data linear interpolation of voltage variables using a uniform grid with the time step, `tau`. The function then applies the central differencing scheme to the interpolated data.

Tip For small time steps, finite differencing may lead to inaccurate results. The time step `tau` should be small enough to capture waveforms, but not so small that the finite differencing error becomes large. For example, for power transistors with an expected limit of 50 V/ns for their voltage rate-of-change, a reasonable guess for `tau` is 1e-9 s.

`summaryTable = ee_getNodeDvDtSummary(node, tau, startTime, endTime)` calculates the maximum absolute values of rates-of-change of voltage variables within a time interval. `startTime` and `endTime` represent the start and end of the time interval for evaluating the maximum values. If

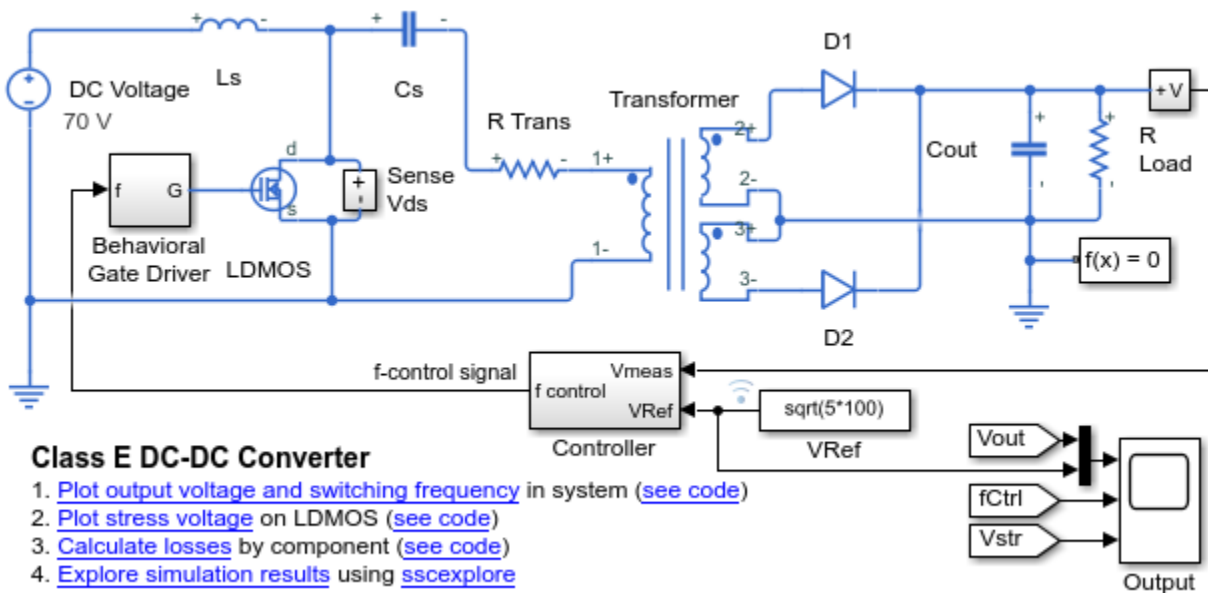
you omit these two input arguments, the function evaluates the maximum absolute values of rates-of-change of voltage variables over the whole simulation time.

Examples

Calculate Maximum Voltage Derivatives by Block for the Whole Model

Open the Class E DC-DC Converter example model.

```
open_system('ee_converter_dcdc_class_e')
```



This example model has data logging enabled. Run the simulation to create the simulation log variable `simlog_ee_converter_dcdc_class_e` in your current workspace.

```
sim('ee_converter_dcdc_class_e');
```

Calculate the maximum absolute values of rates-of-change of voltage variables for the whole model with a time step of $1e-9$ seconds, and display the results in a table.

```
summaryTable = ee_getNodeDvDtSummary(simlog_ee_converter_dcdc_class_e,1e-9)
```

```
summaryTable =
```

```
19x3 table
```

	LoggingNode	Terminal
	"ee_converter_dcdc_class_e.R_Trans"	"n"
	"ee_converter_dcdc_class_e.Transformer"	"p1"
	"ee_converter_dcdc_class_e.Cs"	"n"

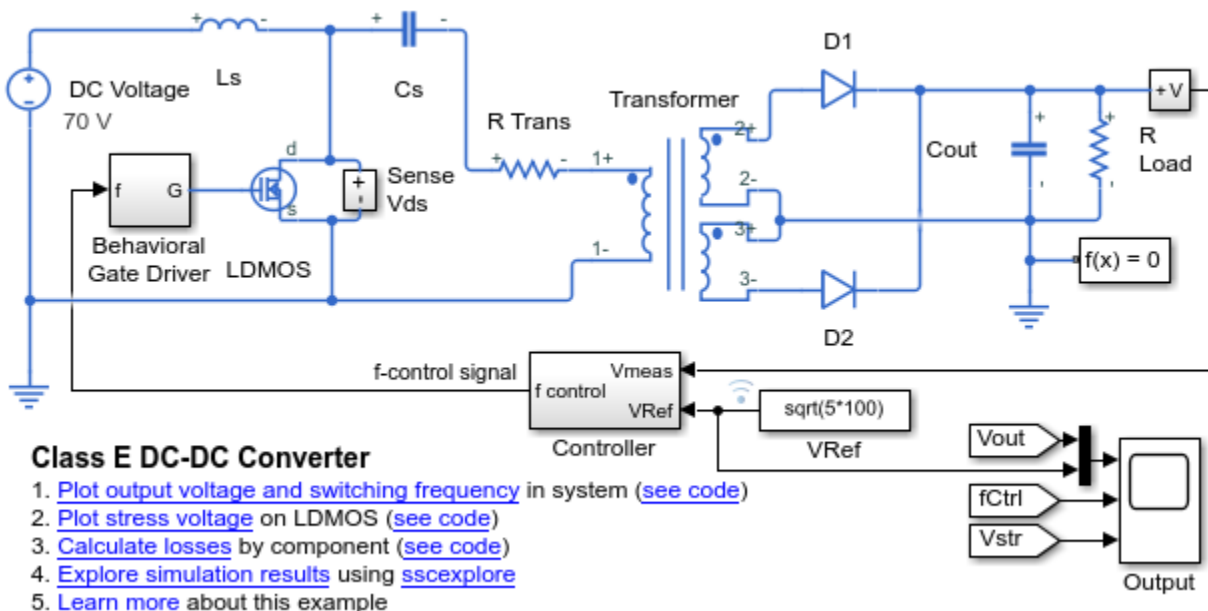
"ee_converter_dcdc_class_e.R_Trans"	"p"
"ee_converter_dcdc_class_e.Cs"	"p"
"ee_converter_dcdc_class_e.LDMOS"	"D"
"ee_converter_dcdc_class_e.Ls"	"n"
"ee_converter_dcdc_class_e.Sense_Vds.Voltage_Stress_Sensor"	"p"
"ee_converter_dcdc_class_e.D2"	"p"
"ee_converter_dcdc_class_e.Transformer"	"n3"
"ee_converter_dcdc_class_e.D1"	"p"
"ee_converter_dcdc_class_e.Transformer"	"p2"
"ee_converter_dcdc_class_e.Behavioral_Gate_Driver.Controlled_Voltage_Source"	"p"
"ee_converter_dcdc_class_e.LDMOS"	"G"
"ee_converter_dcdc_class_e.Cout"	"p"
"ee_converter_dcdc_class_e.D1"	"n"
"ee_converter_dcdc_class_e.D2"	"n"
"ee_converter_dcdc_class_e.R_Load"	"p"
"ee_converter_dcdc_class_e.Sense_Vout.Voltage_Sensor"	"p"

The table shows the maximum absolute values over the whole simulation time of voltage rates-of-change for all the blocks in the model that have nodes based on the foundation.electrical.electrical domain.

Calculate Maximum Voltage Derivatives for One Block

Open the Class E DC-DC Converter example model.

```
open_system('ee_converter_dcdc_class_e')
```



This example model has data logging enabled. Run the simulation to create the simulation log variable `simlog_ee_converter_dcdc_class_e` in your current workspace.

```
sim('ee_converter_dcdc_class_e');
```

Calculate the maximum absolute values of rates-of-change of voltage variables for the LDMOS block with a time step of 1e-9 seconds, and display the results in a table.

```
mosfetTable = ee_getNodeDvDtSummary(simlog_ee_converter_dc_dc_class_e.LDMOS,1e-9)
```

```
mosfetTable =
```

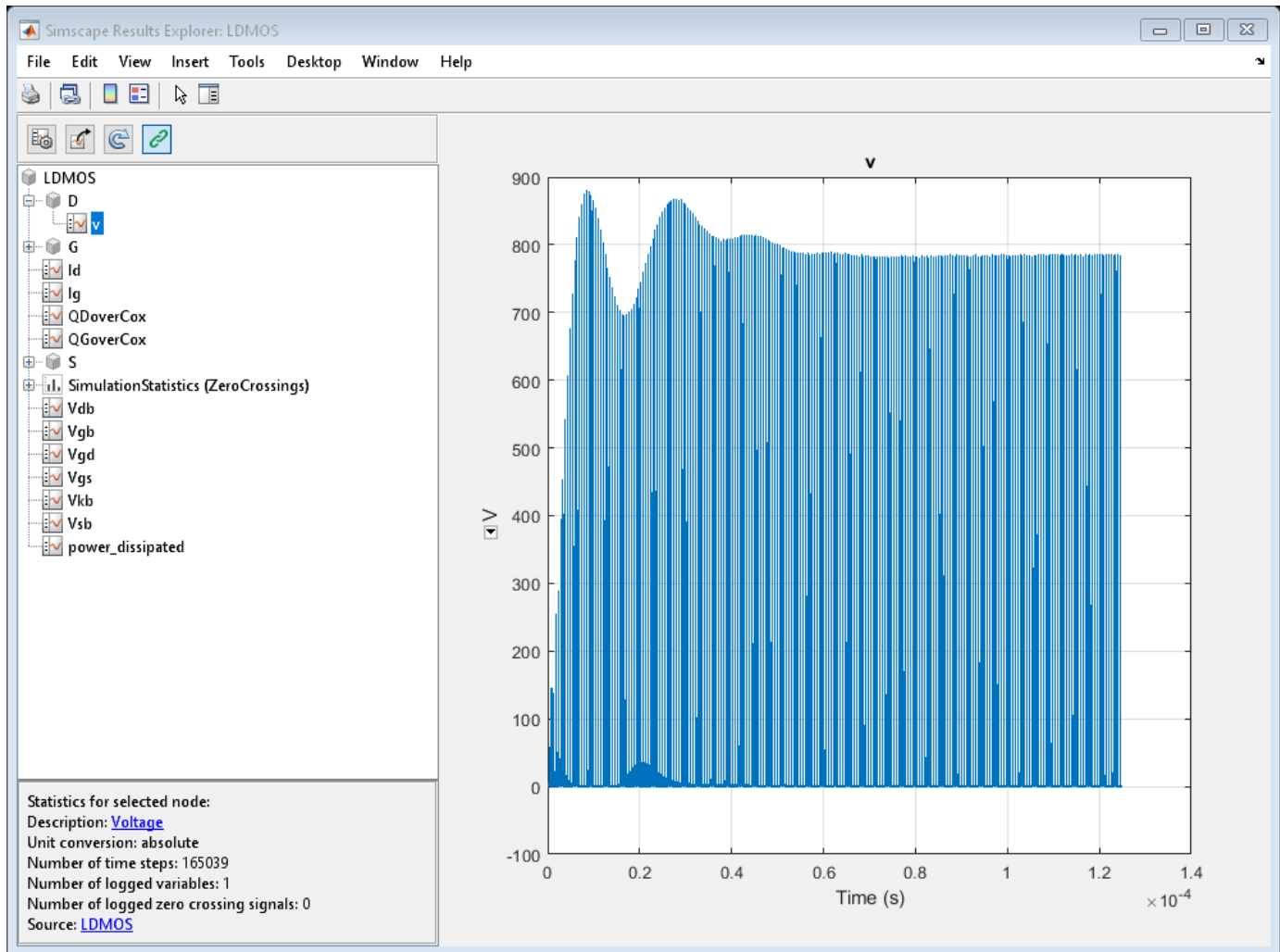
```
2x3 table
```

LoggingNode	Terminal	max_abs_dvdt
"LDMOS"	"D"	3.3422e+10
"LDMOS"	"G"	1e+09

The table shows the maximum absolute values over the whole simulation time of voltage rates-of-change for the LDMOS block. The table does not list the S terminal because it is held fixed to the ground.

To explore the voltage data for the LDMOS block further, use the `sscexplore` function.

```
sscexplore(simlog_ee_converter_dc_dc_class_e.LDMOS, 'D.v')
```

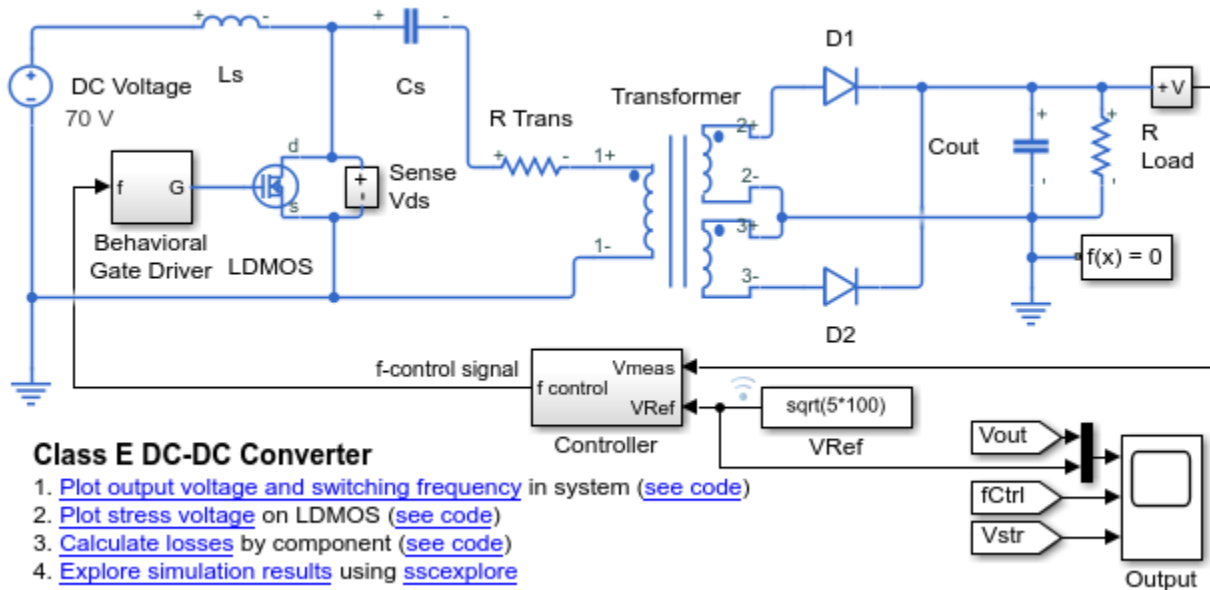


The block has a variable, v , for each of the D, G, and S terminals.

Calculate Maximum Voltage Derivatives for a Specific Time Period

Open the Class E DC-DC Converter example model.

```
open_system('ee_converter_dcdc_class_e')
```



This example model has data logging enabled. Run the simulation to create the simulation log variable `simlog_ee_converter_dc_dc_class_e` in your current workspace.

```
sim('ee_converter_dc_dc_class_e');
```

The model simulation time is $1.25e-4$ seconds. Calculate and display the maximum absolute values of rates-of-change of voltage variables for the LDMOS block during the second half of the simulation. Use a time step of $1e-9$ seconds.

```
mosfetTable1 = ee_getNodeDvDtSummary(simlog_ee_converter_dc_dc_class_e.LDMOS,1e-9,0.5*1.25e-4)
```

```
mosfetTable1 =
```

```
2x3 table
```

LoggingNode	Terminal	max_abs_dvdt
"LDMOS"	"D"	2.8444e+10
"LDMOS"	"G"	1e+09

The table shows the maximum absolute values of voltage rates-of-change for the LDMOS block during the second half of the simulation. The table does not list the S terminal because it is held fixed to the ground. The magnitude of the D terminal is lower than the magnitude for the whole simulation time because the initial high-magnitude spikes of the stress voltage are disregarded.

To see the voltage time derivative for the D terminal of the LDMOS block over the whole simulation time, use the `ee_getNodeDvDtTimeSeries` function.

Input Arguments

node — Simulation log variable, or a specific node within the simulation log variable

Node object

Simulation log workspace variable, or a node within this variable, that contains the logged model simulation data, specified as a Node object. You specify the name of the simulation log variable by using the **Workspace variable name** parameter on the **Simscape** pane of the Configuration Parameters dialog box. To specify a node within the simulation log variable, provide the complete path to that node through the simulation data tree, starting with the top-level variable name.

Example: `simlog_ee_converter_dcdc_class_e.LDMOS`

tau — Time step for numerical differentiation

real number

Time step for numerical differentiation, specified as a real number, in seconds. `tau` determines the interpolation grid as `startTime:tau:endTime`.

Example: `1e-9`

Data Types: `double`

startTime — Start of the time interval for evaluating the maximum voltage rates-of-change

simulation start time (default) | real number

Start of the time interval for evaluating the maximum absolute values of rates-of-change of voltage variables, specified as a real number, in seconds. `startTime` must be greater than or equal to the simulation **Start time** and less than `endTime`.

Data Types: `double`

endTime — End of the time interval for evaluating the maximum voltage rates-of-change

simulation stop time (default) | real number

End of the time interval for evaluating the maximum absolute values of rates-of-change of voltage variables, specified as a real number, in seconds. `endTime` must be greater than `startTime` and less than or equal to the simulation **Stop time**.

Data Types: `double`

Output Arguments

summaryTable — Maximum absolute values of the voltage rates-of-change for each block

table

Maximum absolute values of the voltage rates-of-change for each block, returned as a table. The first column lists all the logging nodes in node that are based on the `foundation.electrical.electrical` domain. The second column lists the terminal names. The third column lists the corresponding maximum absolute values of voltage rates-of-change, in volts per second. The table does not contain data for terminals that are held fixed.

See Also

[ee_getNodeDvDtTimeSeries](#) | [sscexplore](#)

Topics

[“About Simulation Data Logging”](#)

[“About the Simscape Results Explorer”](#)

Introduced in R2018b

ee_getNodeDvDtTimeSeries

Calculate rates-of-change of voltage variables

Syntax

```
seriesTable = ee_getNodeDvDtTimeSeries(node,tau)
seriesTable = ee_getNodeDvDtTimeSeries(node,tau,startTime,endTime)
```

Description

`seriesTable = ee_getNodeDvDtTimeSeries(node,tau)` calculates rates-of-change of voltage variables for nodes that are based on the `foundation.electrical.electrical` domain, based on logged simulation data. The function returns the data for each terminal in a table. The data in the table appears in descending order according to the maximum absolute value of the rate-of-change of voltage variables with respect to the ground, over the whole simulation time. The table does not contain data for terminals that are held fixed.

Before you call this function, you must have the simulation log variable in your current workspace. Create the simulation log variable by simulating the model with data logging turned on, or load a previously saved variable from a file. If `node` is the name of the simulation log variable, then the table contains the data for all the blocks in the model that have nodes based on the `foundation.electrical.electrical` domain. If `node` is the name of a node in the simulation data tree, then the table contains the data only for the children of that node.

Examining rates-of-change of voltage variables in power electronics circuits is useful for determining the potential for unwanted conducted or radiated emissions. The rate-of-change data also helps you to identify unwanted turn-on of switching devices. All nodes that are based on the `foundation.electrical.electrical` domain store the potential with respect to electrical ground as the variable `v`. When you log simulation data, the time-value series for this variable represents the trend of the potential over time. You can view and plot this data using the Simscape Results Explorer.

To evaluate the rates-of-change of voltage variables, the `ee_getNodeDvDtTimeSeries` function employs finite difference approximation of the first derivative with respect to time. It performs 1-D data linear interpolation of voltage variables using a uniform grid with the time step, `tau`. The function then applies the central differencing scheme to the interpolated data.

Tip For small time steps, finite differencing may lead to inaccurate results. The time step `tau` should be small enough to capture waveforms, but not so small that the finite differencing error becomes large. For example, for power transistors with an expected limit of 50 V/ns for their voltage rate-of-change, a reasonable guess for `tau` is 1e-9 s.

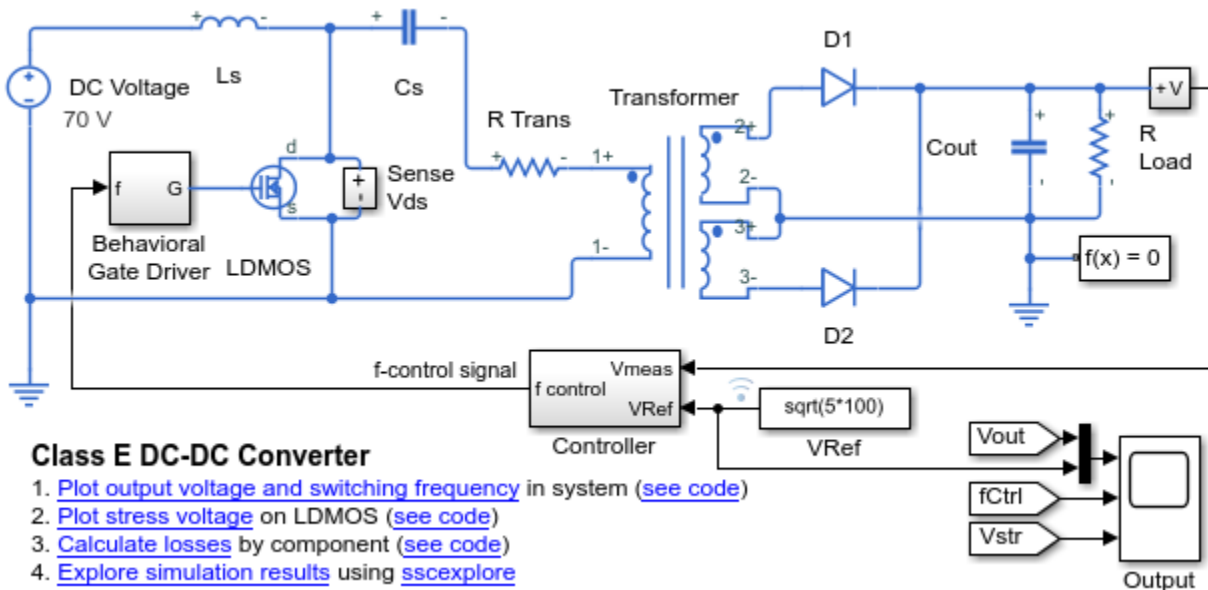
`seriesTable = ee_getNodeDvDtTimeSeries(node,tau,startTime,endTime)` calculates rates-of-change of voltage variables within a time interval. `startTime` and `endTime` represent the start and end of the time interval for evaluating the derivatives of the voltage variables with respect to time. If you omit these two input arguments, the function evaluates rates-of-change of voltage variables over the whole simulation time.

Examples

Calculate Voltage Derivatives by Block for the Whole Model

Open the Class E DC-DC Converter example model.

```
open_system('ee_converter_dcdc_class_e')
```



This example model has data logging enabled. Run the simulation to create the simulation log variable `simlog_ee_converter_dcdc_class_e` in your current workspace.

```
sim('ee_converter_dcdc_class_e');
```

Calculate rates-of-change of voltage variables for the whole model with a time step of $1e-9$ seconds, and return the time series data in a table.

```
seriesTable = ee_getNodeDvDtTimeSeries(simlog_ee_converter_dcdc_class_e,1e-9)
```

```
seriesTable =
```

```
19x4 table
```

```
LoggingNode
```

```
Terminal
```

```
"ee_converter_dcdc_class_e.R_Trans" "n"
"ee_converter_dcdc_class_e.Transformer" "p1"
"ee_converter_dcdc_class_e.Cs" "n"
"ee_converter_dcdc_class_e.R_Trans" "p"
"ee_converter_dcdc_class_e.Cs" "p"
"ee_converter_dcdc_class_e.LDMOS" "D"
```

"ee_converter_dcdc_class_e.Ls"	"n"
"ee_converter_dcdc_class_e.Sense_Vds.Voltage_Stress_Sensor"	"p"
"ee_converter_dcdc_class_e.D2"	"p"
"ee_converter_dcdc_class_e.Transformer"	"n3"
"ee_converter_dcdc_class_e.D1"	"p"
"ee_converter_dcdc_class_e.Transformer"	"p2"
"ee_converter_dcdc_class_e.Behavioral_Gate_Driver.Controlled_Voltage_Source"	"p"
"ee_converter_dcdc_class_e.LDMOS"	"G"
"ee_converter_dcdc_class_e.Cout"	"p"
"ee_converter_dcdc_class_e.D1"	"n"
"ee_converter_dcdc_class_e.D2"	"n"
"ee_converter_dcdc_class_e.R_Load"	"p"
"ee_converter_dcdc_class_e.Sense_Vout.Voltage_Sensor"	"p"

The table contains time series data of voltage variables and their first derivatives over the whole simulation time for all the blocks in the model that have nodes based on the `foundation.electrical.electrical` domain.

View the time series data. From the workspace, open the `seriesTable` table, then open the two `1x125001 double` numeric arrays for the `ee_converter_dcdc_class_e.LDMOS.D`.

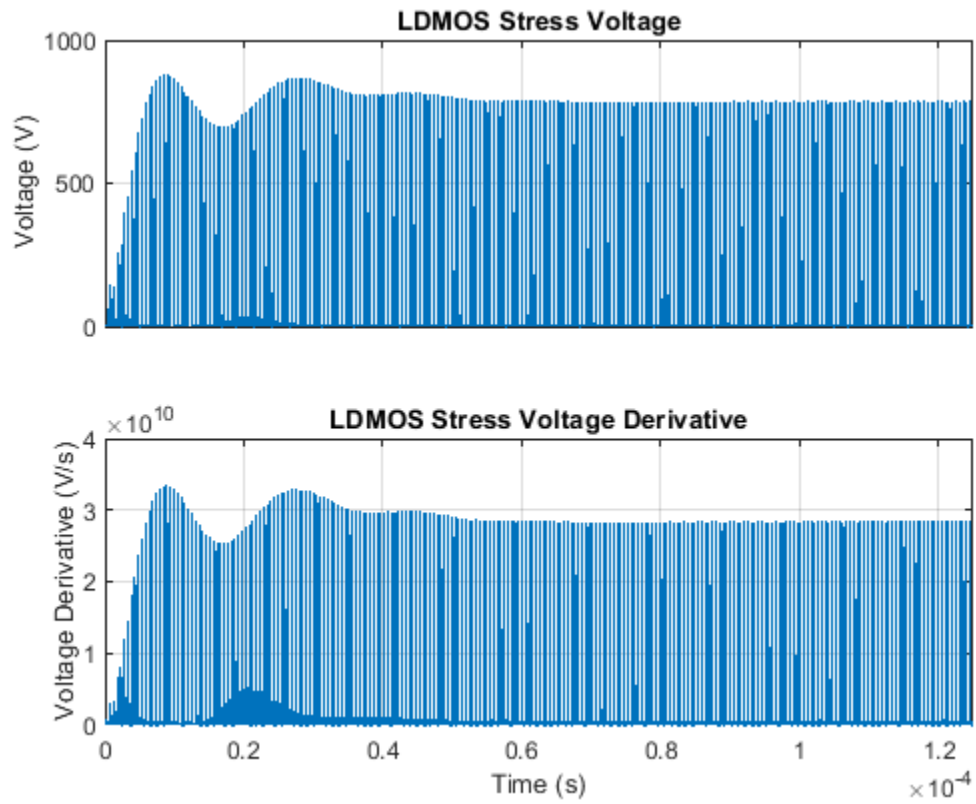
The first array contains the voltage data. The second array contains the voltage derivative data.

Plot the data.

```
time = 0:1e-9:1.25e-4;
vOut = seriesTable.Voltage{6};
dvdtOut = seriesTable.dvdt{6};

ax1 = subplot(2,1,1);
plot(time,vOut),grid;
ylabel('Voltage (V)');
axis([0 1.25e-4 0 1000]);
ax1.XTickLabel = {};
ax1.Title.String = 'LDMOS Stress Voltage';

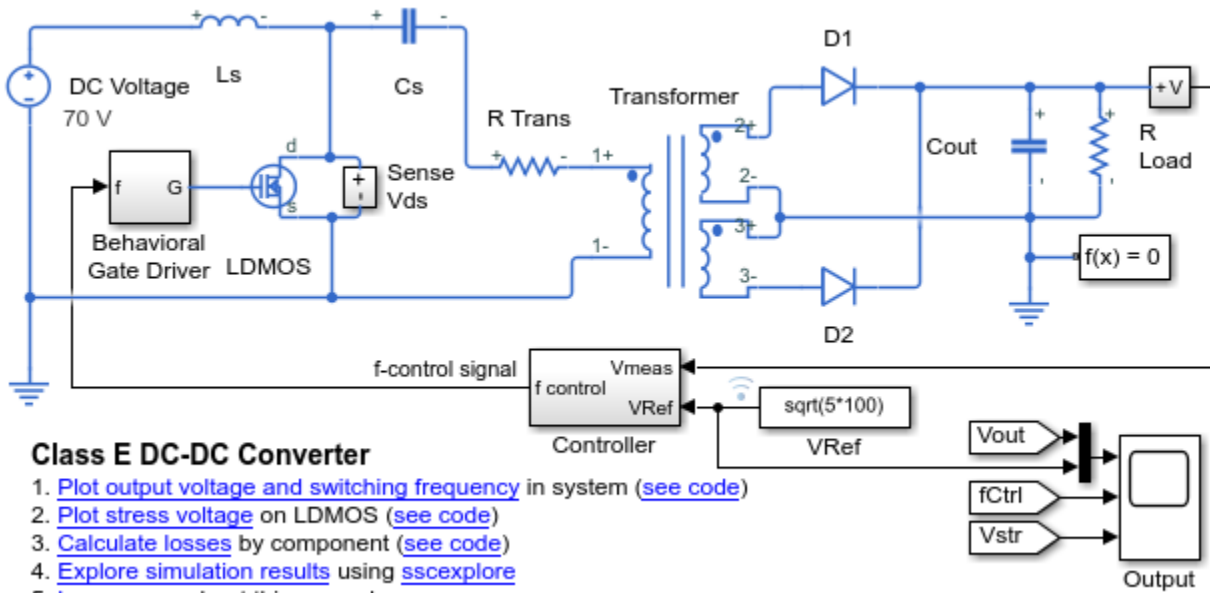
ax2 = subplot(2,1,2);
plot(time,dvdtOut),grid;
ylabel('Voltage Derivative (V/s)');
xlabel('Time (s)');
axis([0 1.25e-4 0 4e10]);
ax2.Title.String = 'LDMOS Stress Voltage Derivative';
```



Calculate Voltage Derivatives for One Block

Open the Class E DC-DC Converter example model.

```
open_system('ee_converter_dcdc_class_e')
```



This example model has data logging enabled. Run the simulation to create the simulation log variable `simlog_ee_converter_dc_dc_class_e` in your current workspace.

```
sim('ee_converter_dc_dc_class_e');
```

Calculate rates-of-change of voltage variables for the LDMOS block with a time step of 1e-9 seconds, and return the time series data in a table.

```
mosfetTable = ee_getNodeDvDtTimeSeries(simlog_ee_converter_dc_dc_class_e.LDMOS,1e-9)
```

```
mosfetTable =
```

2x4 table

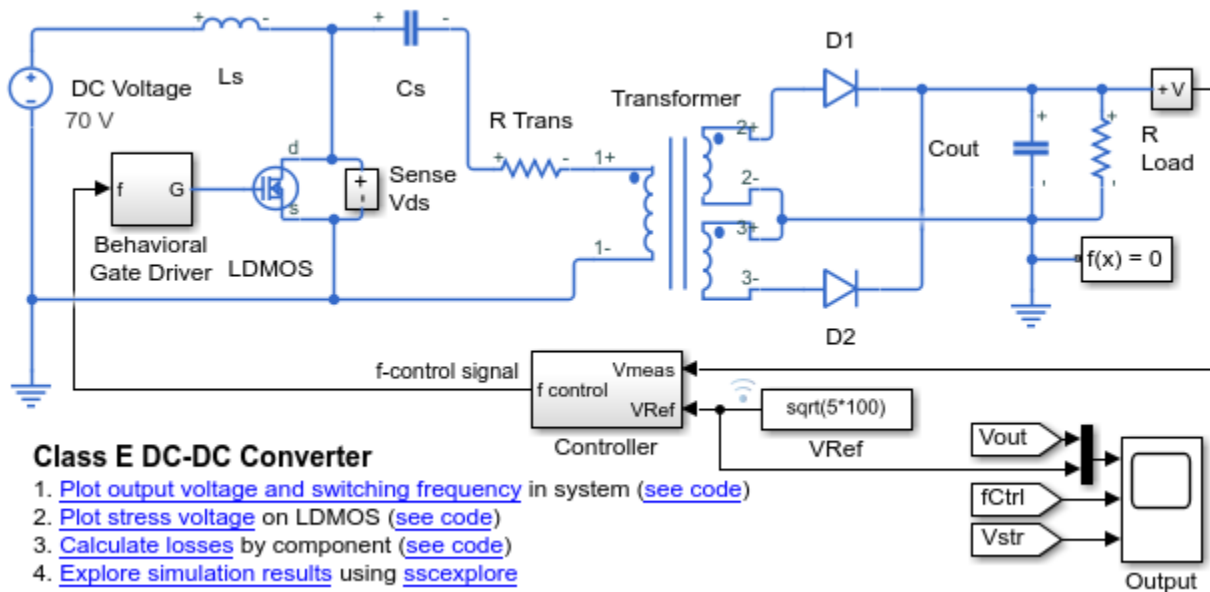
LoggingNode	Terminal	Voltage	dvdt
"LDMOS"	"D"	{1x125001 double}	{1x125001 double}
"LDMOS"	"G"	{1x125001 double}	{1x125001 double}

The table contains time series data of voltage variables and their first derivatives over the whole simulation time for the LDMOS block. The table does not list the S terminal because it is held fixed to the ground.

Calculate Voltage Derivatives for a Specific Time Period

Open the Class E DC-DC Converter example model.

```
open_system('ee_converter_dc_dc_class_e')
```



This example model has data logging enabled. Run the simulation to create the simulation log variable `simlog_ee_converter_dc_dc_class_e` in your current workspace.

```
sim('ee_converter_dc_dc_class_e');
```

The model simulation time is 1.25e-4 seconds. Calculate and display rates-of-change of voltage variables for the Transformer block during the last 0.25e-4 seconds of the simulation. Use a time step of 1e-9 seconds.

```
transformerTable = ee_getNodeDvDtTimeSeries(simlog_ee_converter_dc_dc_class_e.Transformer,1e-9,1e
```

```
transformerTable =
```

```
3x4 table
```

LoggingNode	Terminal	Voltage	dvdt
"Transformer"	"p1"	{1x25001 double}	{1x25001 double}
"Transformer"	"n3"	{1x25001 double}	{1x25001 double}
"Transformer"	"p2"	{1x25001 double}	{1x25001 double}

The table contains time series data of voltage variables, and their first derivatives, for the Transformer block over the last 0.25e-4 seconds of the simulation. The table does not list terminals that are held fixed to the ground.

View the time series data. From the workspace, open the `transformerTable` table, then open the two `1x25001 double` numeric arrays for the `Transformer.p1`.

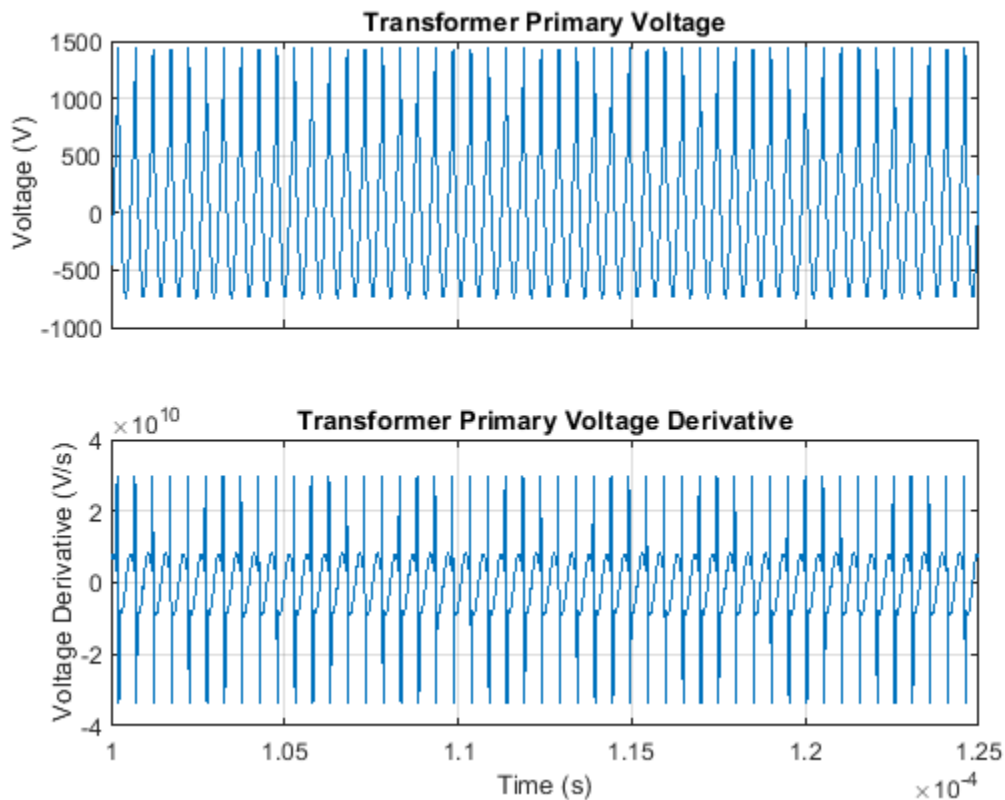
The first array contains the voltage data. The second array contains the voltage derivative data.

Plot the data.

```
time = 1e-4:1e-9:1.25e-4;
vOut = transformerTable.Voltage{1};
dvdtOut = transformerTable.dvdt{1};

ax1 = subplot(2,1,1);
plot(time,vOut),grid;
ylabel('Voltage (V)');
ax1.YLim = [-1000 1500];
ax1.XTickLabel = {};
ax1.Title.String = 'Transformer Primary Voltage';

ax2 = subplot(2,1,2);
plot(time,dvdtOut),grid;
ylabel('Voltage Derivative (V/s)');
xlabel('Time (s)');
ax2.Title.String = 'Transformer Primary Voltage Derivative';
```



Input Arguments

node — Simulation log variable, or a specific node within the simulation log variable

Node object

Simulation log workspace variable, or a node within this variable, that contains the logged model simulation data, specified as a Node object. You specify the name of the simulation log variable by

using the **Workspace variable name** parameter on the **Simscape** pane of the Configuration Parameters dialog box. To specify a node within the simulation log variable, provide the complete path to that node through the simulation data tree, starting with the top-level variable name.

Example: `simlog_ee_converter_dcdc_class_e.LDMOS`

tau — Time step for numerical differentiation

real number

Time step for numerical differentiation, specified as a real number, in seconds. `tau` determines the interpolation grid as `startTime:tau:endTime`.

Example: `1e-9`

Data Types: `double`

startTime — Start of the time interval for evaluating rates-of-change of voltage variables

simulation start time (default) | real number

Start of the time interval for evaluating rates-of-change of voltage variables, specified as a real number, in seconds. `startTime` must be greater than or equal to the simulation **Start time** and less than `endTime`.

Data Types: `double`

endTime — End of the time interval for evaluating rates-of-change of voltage variables

simulation stop time (default) | real number

End of the time interval for evaluating rates-of-change of voltage variables, specified as a real number, in seconds. `endTime` must be greater than `startTime` and less than or equal to the simulation **Stop time**.

Data Types: `double`

Output Arguments

seriesTable — Time series of the voltage rates-of-change for each block

table

Time series of the voltage rates-of-change for each block, returned as a table. The first column lists all the logging nodes in node that are based on the `foundation.electrical.electrical` domain. The second column lists the terminal names. The third column lists the corresponding interpolated voltage values, in volts. The fourth column lists the corresponding numerically differentiated values of voltage rates-of-change, in volts per second. The table does not contain data for terminals that are held fixed.

See Also

`ee_getNodeDvDtSummary` | `sscexplore`

Topics

“About Simulation Data Logging”

“About the Simscape Results Explorer”

Introduced in R2018b

ee_getPowerLossSummary

Calculate dissipated power losses

Syntax

```
lossesTable = ee_getPowerLossSummary(node)
lossesTable = ee_getPowerLossSummary(node, startTime, endTime)
```

Description

`lossesTable = ee_getPowerLossSummary(node)` calculates dissipated power losses for semiconductor blocks in a model, based on logged simulation data, and returns the data for each block in a table.

Before you call this function, you must have the simulation log variable in your current workspace. Create the simulation log variable by simulating the model with data logging turned on, or load a previously saved variable from a file. If `node` is the name of the simulation log variable, then the table contains the data for all semiconductor blocks in the model. If `node` is the name of a node in the simulation data tree, then the table contains the data only for the blocks within that node.

Checking dissipated power is useful for verifying that circuit components are operating within their working envelopes. All blocks in the Semiconductor Devices library, as well as some other blocks, have an internal variable called `power_dissipated`, which represents the instantaneous power dissipated by the block. When you log simulation data, the time-value series for this variable represents the power dissipated by the block over time. You can view and plot this data using the Simscape Results Explorer.

Note The `power_dissipated` internal variable does not report dynamic losses incurred from semiconductor switching or magnetic hysteresis.

The `ee_getPowerLossSummary` function calculates average losses for each block that has a `power_dissipated` variable. Some blocks have more than one `power_dissipated` variable, depending on their configuration. For example, the N-Channel MOSFET block has separate `power_dissipated` logging nodes for the MOSFET, the gate resistor, and for the source and drain resistors if they have nonzero resistance values. The function sums all these losses and provides the power loss value for the whole block, averaged over simulation time.

`lossesTable = ee_getPowerLossSummary(node, startTime, endTime)` calculates dissipated power losses within a time interval. `startTime` and `endTime` represent the start and end of the time interval for averaging the power losses. If you omit these two input arguments, the function averages the power losses over the whole simulation time.

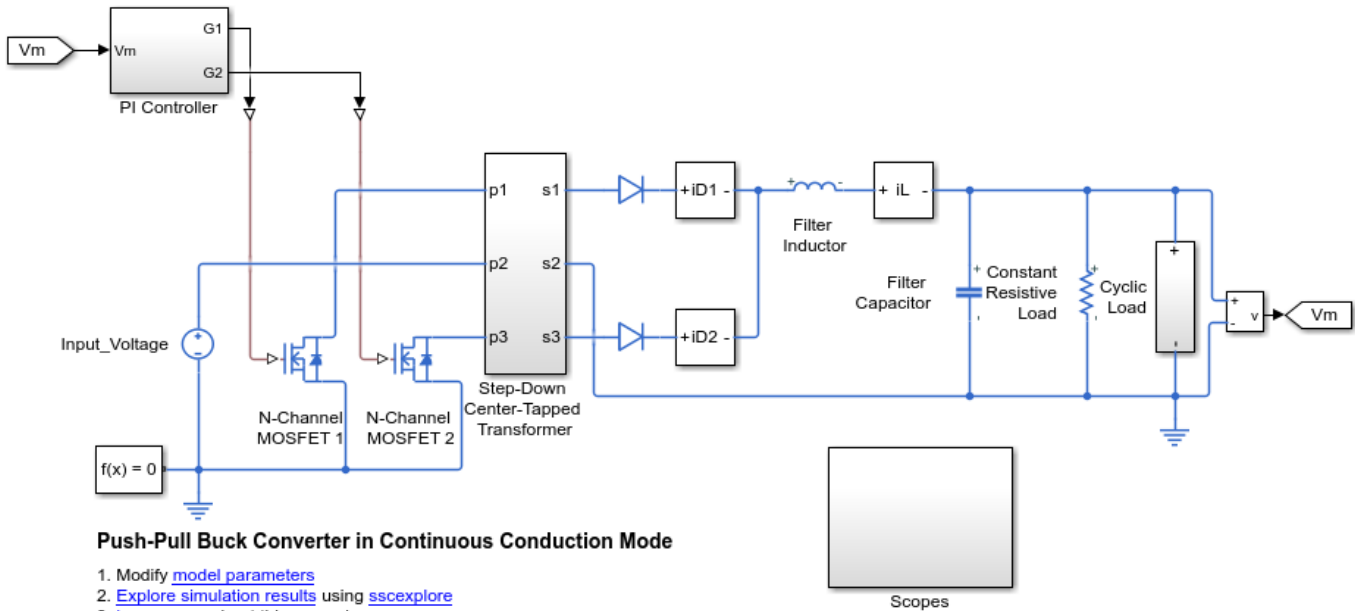
Examples

Calculate Average Power Losses for Components of a Block

You can calculate average power losses for the individual components of a block in your model.

1. Open the Push-Pull Buck Converter in Continuous Conduction Mode example model. At the MATLAB® command prompt, enter

```
model = 'ee_push_pull_converter_ccm';
open_system(model)
```



The model has data logging enabled.

2. Add a diode component in the N-Channel MOSFET 1 block using the MATLAB® command prompt:

```
set_param('ee_push_pull_converter_ccm/ N-Channel MOSFET 1', 'diode_param', '2')
```

Alternatively, you can add the component in the Simulink® Editor:

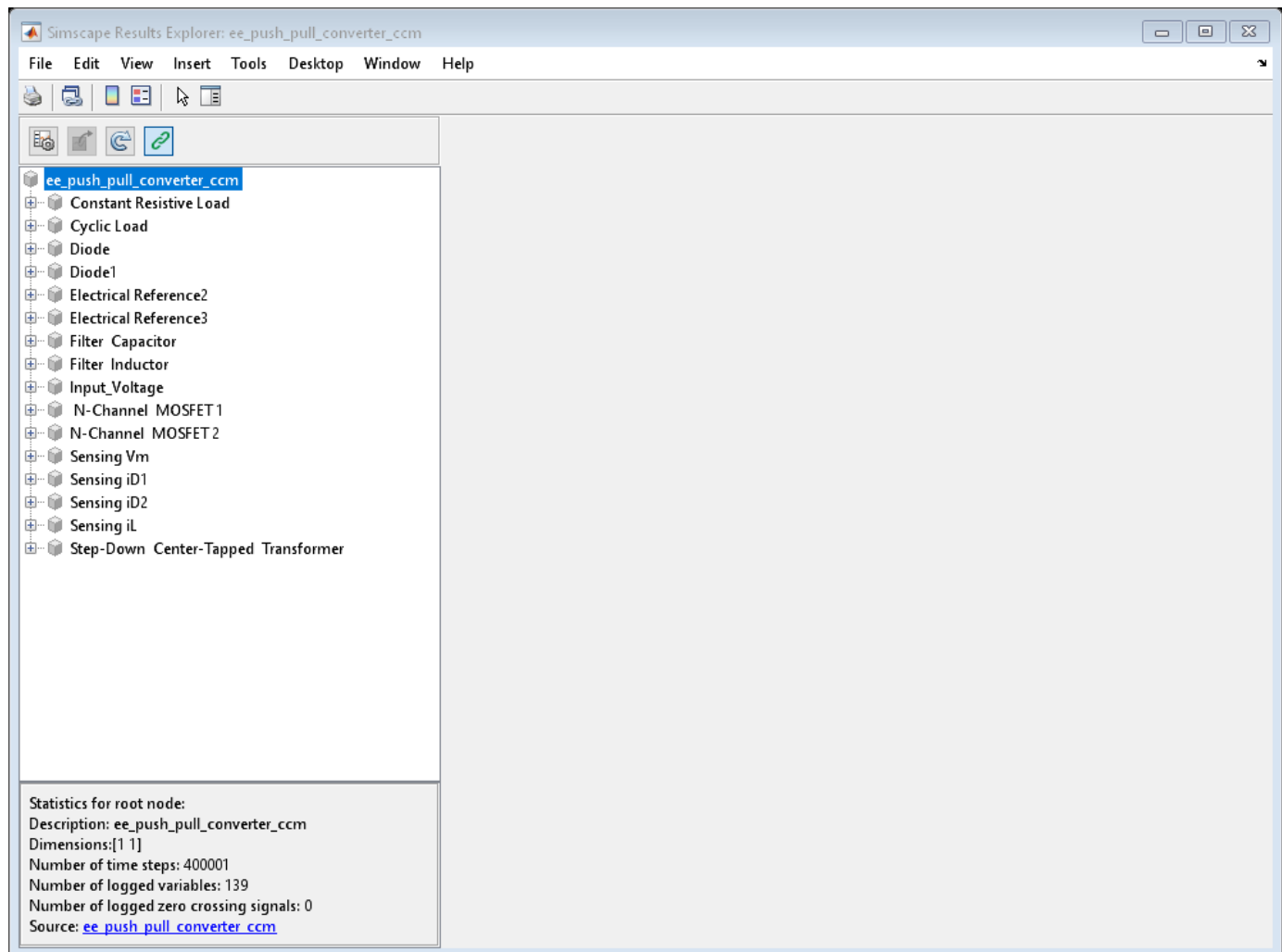
a. Open the Property Inspector pane. In the model window, in the menu bar, click **View > Property Inspector**

b. Click the N-Channel MOSFET1 block to access the block parameters.

c. In the Property Inspector pane, expand the Integral Diode setting and change the value for the **Integral protection** from None to Protection diode with no dynamics.

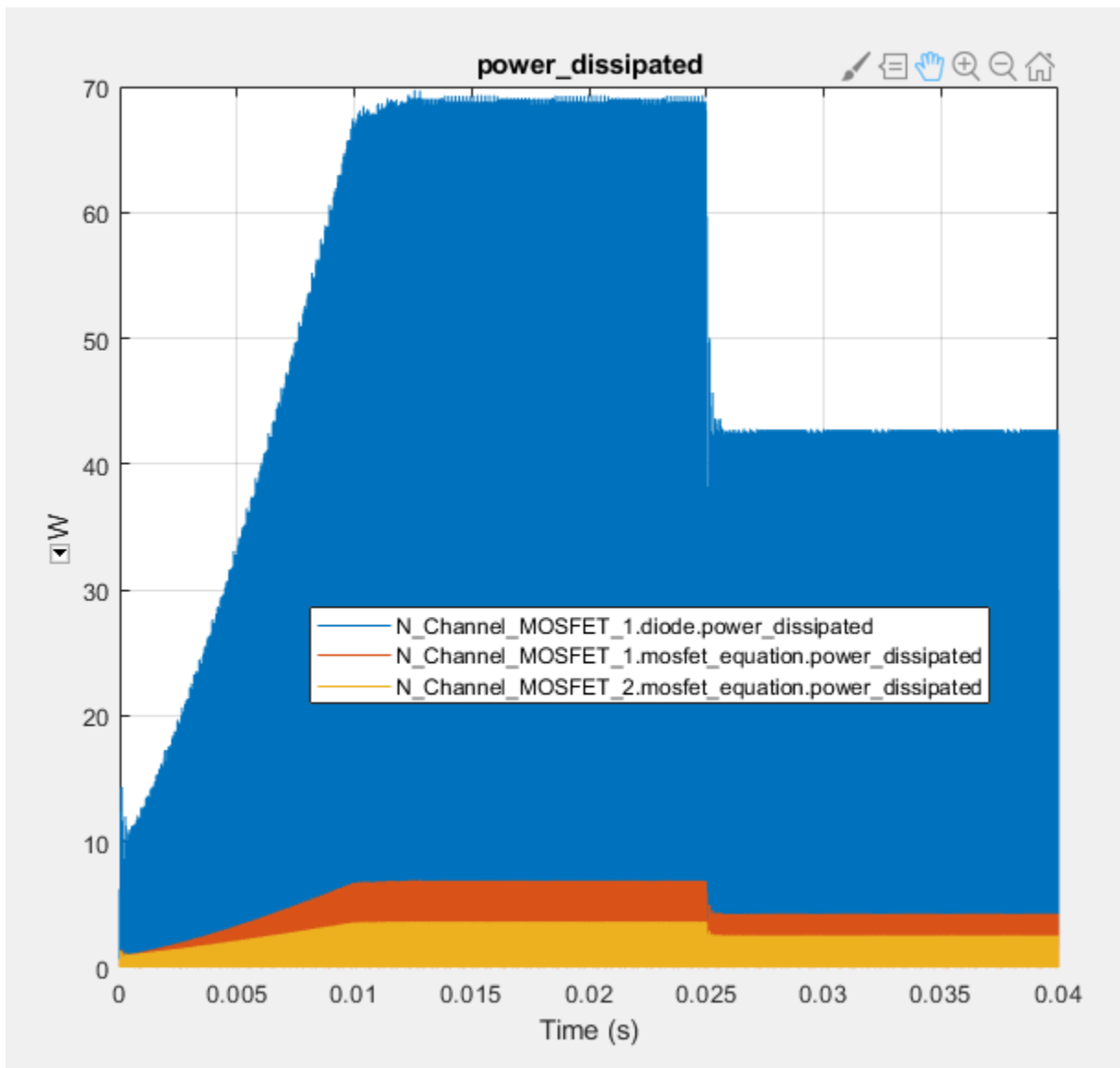
3. Run the simulation, create a simulation log variable, and open the simlog in the Simscape Results Explorer using the `sscexplore` function.

```
sim(model)
sscexplore(simlog_ee_push_pull_converter_ccm)
```



4. View the power loss data for the two N-Channel MOSFET blocks, expand these nodes and CTRL + click the power_dissipated nodes:

- N_Channel_MOSFET_1 > diode > power_dissipated
- N_Channel_MOSFET_1 > mosfet_equation > power_dissipated
- N_Channel_MOSFET_2 > mosfet_equation > power_dissipated



The N-Channel MOSFET 2 block has only one `power_dissipated` variable. The N-Channel MOSFET 1 block has one `power_dissipated` variable for each of the two components (MOSFET and diode) that the block contains.

5. Calculate power losses for both components of the N-Channel MOSFET 1 block and display the results in a table

```
tabulatedLosses = ee_getPowerLossSummary(simlog_ee_push_pull_converter_ccm.N_Channel_MOSFET_1)
```

```
tabulatedLosses =
```

```
1x2 table
```

LoggingNode	Power

```
{'N_Channel_MOSFET_1'}    2.6075
```

The table shows the combined dissipated power losses for both the diode and the MOSFET components of the N-Channel MOSFET 1 block, averaged over the total simulation time.

6. Calculate power losses for only the diode component of the NChannel MOSFET 1 block and display the results in a table.

```
tabulatedLosses = ee_getPowerLossSummary(simlog_ee_push_pull_converter_ccm.N_Channel_MOSFET_1.di
```

```
tabulatedLosses =
```

```
1x2 table
```

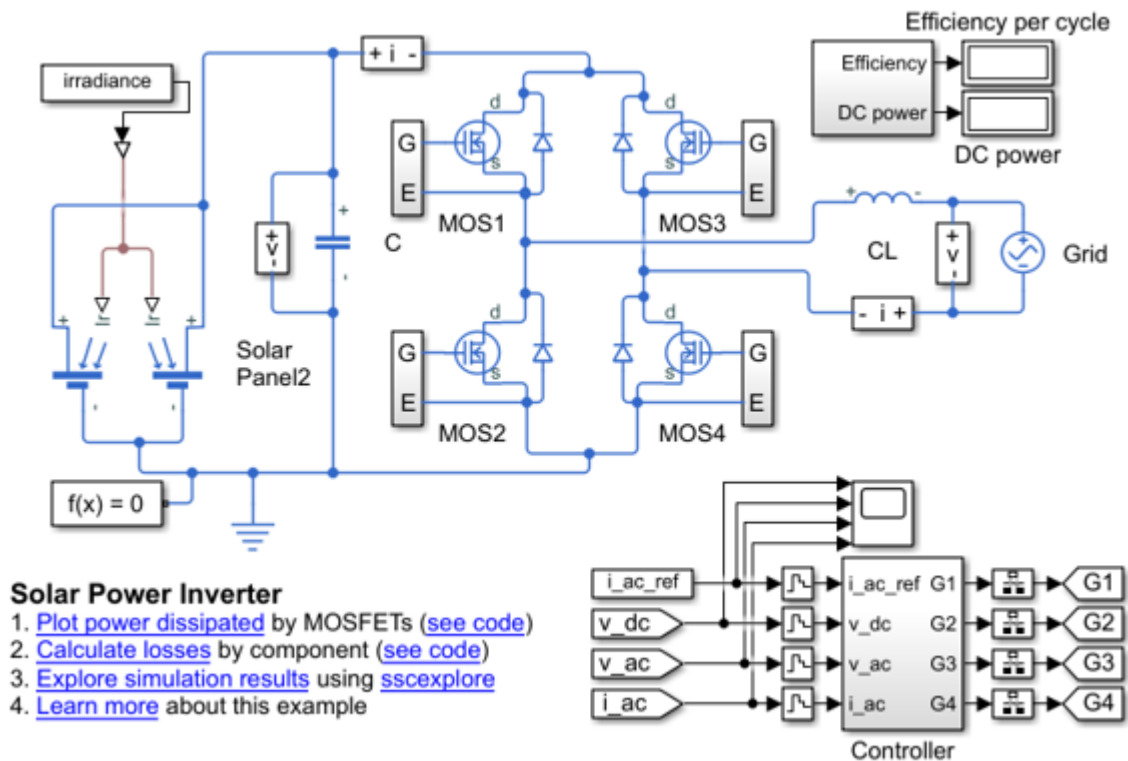
LoggingNode	Power
{'diode'}	2.3669

The table shows dissipated power losses only for the diode component of the block, averaged over the total simulation time.

Calculate Power Losses for One Block

Open the Solar Power Inverter example model.

```
ee_solar_inverter
```



This example model has data logging enabled. Run the simulation to create the simulation log variable `simlog_ee_solar_inverter` in your current workspace.

```
sim('ee_solar_inverter');
```

Calculate power losses for the MOS1 block.

```
mosfetLosses = ee_getPowerLossSummary(simlog_ee_solar_inverter.MOS1)
```

```
mosfetLosses =
```

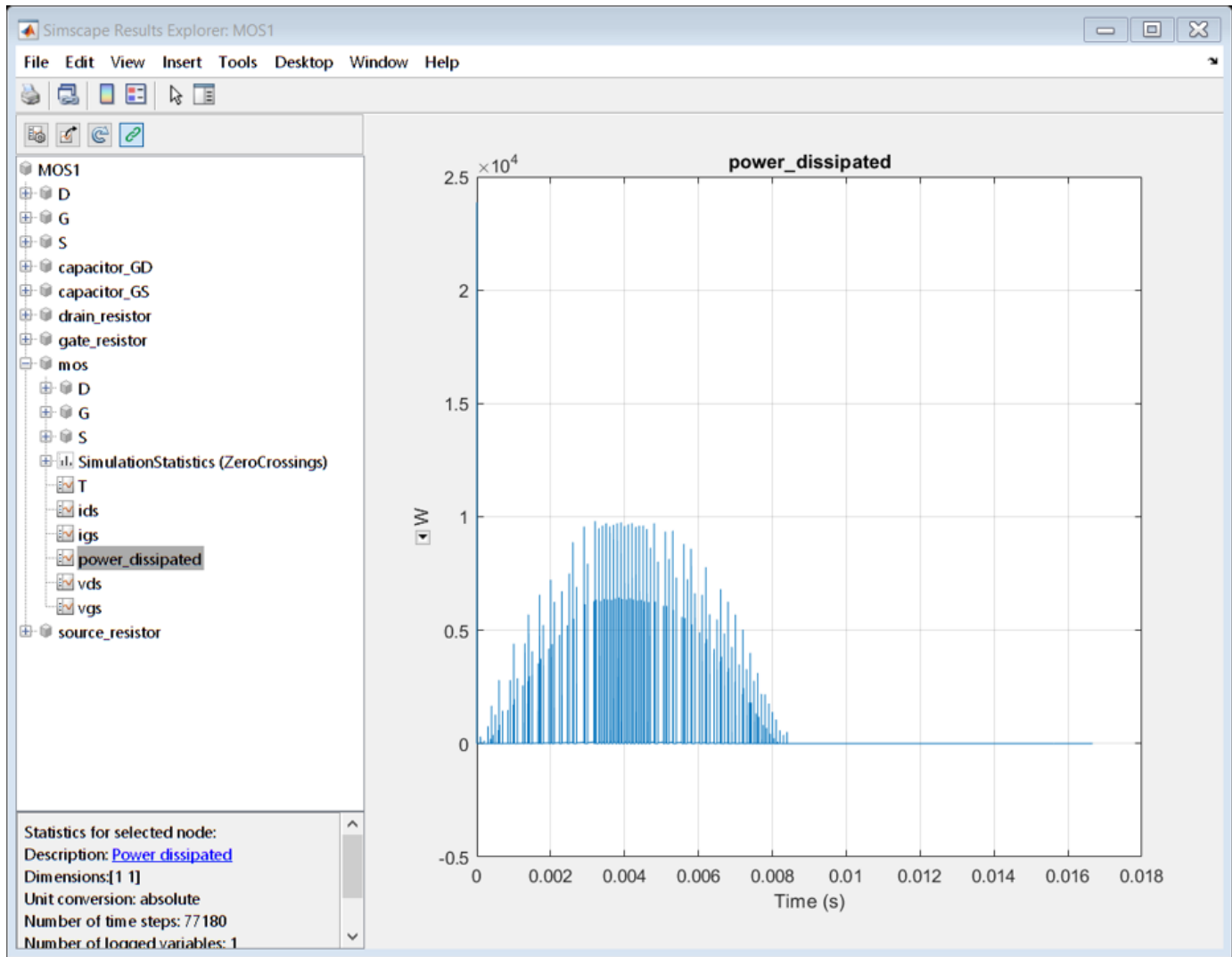
```
1×2 table
```

LoggingNode	Power
{'MOS1'}	13.709

The table shows dissipated power losses for the MOS1 block, averaged over the whole simulation time.

Use the `sscexplore` function to further explore the power loss data for the MOSFET block and in the results explorer, expand the **mos > power_dissipated nodes**.

```
sscexplore(simlog_ee_solar_inverter.MOS1, 'mos.power_dissipated')
```



The block has several `power_dissipated` logging nodes: under `drain_resistor`, under `gate_resistor`, under `mos`, and under `source_resistor`. The **Power** value calculated by the `ee_getPowerLossSummary` function is a sum of all these losses, averaged over the simulation time.

Input Arguments

node — Simulation log variable, or a specific node within the simulation log variable

Node object

Simulation log workspace variable, or a node within this variable, that contains the logged model simulation data, specified as a Node object. You specify the name of the simulation log variable by using the **Workspace variable name** parameter on the **Simscape** pane of the Configuration Parameters dialog box. To specify a node within the simulation log variable, provide the complete path to that node through the simulation data tree, starting with the top-level variable name.

Example: `simlog.Cell1.MOS1`

startTime — Start of the time interval for averaging dissipated power losses

real number

Start of the time interval for averaging dissipated power losses, specified as a real number, in seconds. **startTime** must be greater than or equal to the simulation **Start time** and less than **endTime**.

Data Types: double

endTime — End of the time interval for averaging dissipated power losses

real number

End of the time interval for averaging dissipated power losses, specified as a real number, in seconds. **endTime** must be greater than **startTime** and less than or equal to the simulation **Stop time**.

Data Types: double

Output Arguments

lossesTable — Dissipated power losses for each block

table

Dissipated power losses for each block, returned as a table. The first column lists logging nodes for all blocks that have at least one `power_dissipated` variable. The second column lists the corresponding losses in watts.

See Also

[ee_getEfficiency](#) | [ee_getPowerLossTimeSeries](#) | [sscexplore](#)

Topics

[“About Simulation Data Logging”](#)[“About the Simscape Results Explorer”](#)**Introduced in R2015a**

ee_getPowerLossTimeSeries

Calculate dissipated power losses and return time series data

Syntax

```
lossesCell = ee_getPowerLossTimeSeries(node)
lossesCell = ee_getPowerLossTimeSeries(node,startTime,endTime)
lossesCell = ee_getPowerLossTimeSeries(node,startTime,...
endTime,intervalWidth)
```

Description

`lossesCell = ee_getPowerLossTimeSeries(node)` calculates dissipated power losses for blocks in a model, based on logged simulation data, and returns the time series data for each block.

Before you call this function, you must have the simulation log variable in your current workspace. Create the simulation log variable by simulating the model with data logging turned on, or load a previously saved variable from a file.

The `ee_getPowerLossTimeSeries` function calculates dissipated power losses for each block that has a `power_dissipated` variable. All blocks in the Semiconductor Devices library, as well as some other blocks, have an internal variable called `power_dissipated`, which represents the instantaneous power dissipated by the block. Some blocks have more than one `power_dissipated` variable, depending on their configuration. For example, the N-Channel MOSFET block has separate `power_dissipated` logging nodes for the MOSFET, the gate resistor, and for the source and drain resistors if they have nonzero resistance values. The function sums all these losses and provides the power loss value for all of the blocks as functions of time.

Note The `power_dissipated` internal variable does not report dynamic losses incurred from semiconductor switching or magnetic hysteresis.

If `node` is the name of the simulation log variable, then the table contains the data for all the blocks in the model that dissipate power (that is, contain at least one `power_dissipated` variable). If `node` is the name of a node in the simulation data tree, then the table contains the data only for the blocks within that node.

`lossesCell = ee_getPowerLossTimeSeries(node,startTime,endTime)` calculates dissipated power losses and returns the time series data for time steps from `startTime` to `endTime`. If `startTime` is equal to `endTime`, the interval is effectively zero and the function returns the instantaneous power for the time step that occurs at that moment. If you omit these two input arguments, the function returns data over the whole simulation time.

`lossesCell = ee_getPowerLossTimeSeries(node,startTime,... endTime,intervalWidth)` calculates dissipated power losses and returns the time series data for time steps from `startTime` to `endTime`, averaged over the time `intervalWidth`. If you omit the `intervalWidth`, or set it to 0, the function returns the instantaneous data, without averaging. If you omit all three optional arguments, the function returns the instantaneous data over the whole simulation time.

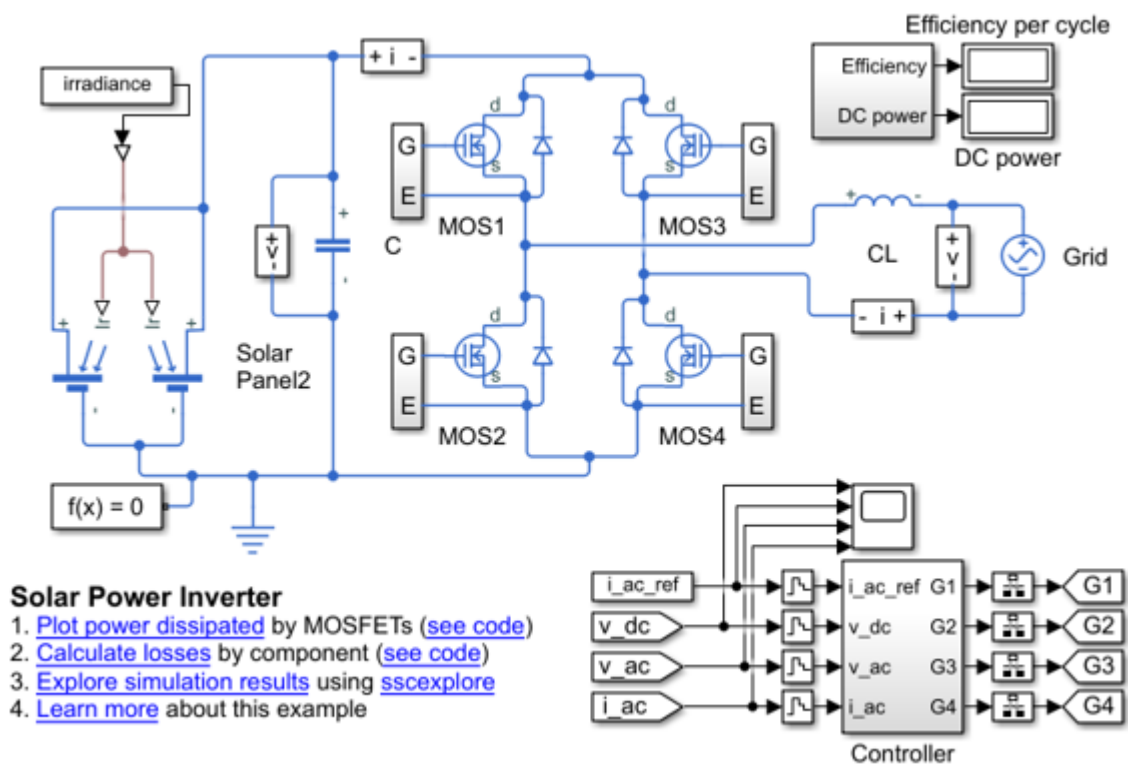
Examples

Calculate Dissipated Power Losses for the Entire Simulation Time

This example shows how to calculate instantaneous losses based on the power dissipated and return the time series data for all time steps in the entire simulation time using the `ee_getPowerLossTimeSeries` function.

Open the model. At the MATLAB® command prompt, enter:

```
model = 'ee_solar_inverter';
open_system(model)
```



This example model has data logging enabled. Run the simulation and create the simulation log variable.

```
sim(model)
```

The simulation log variable `simlog_ee_solar_inverter` is saved in your current workspace.

Calculate dissipated power losses and return the time series data in cell array.

```
lossesCell = ee_getPowerLossTimeSeries(simlog_ee_solar_inverter)
```

```
lossesCell =
```

```
8x2 cell array
```

```

{'ee_solar_inverter.Diode1'} {77180x3 double}
{'ee_solar_inverter.MOS1' } {77180x3 double}
{'ee_solar_inverter.MOS2' } {77180x3 double}
{'ee_solar_inverter.MOS3' } {77180x3 double}
{'ee_solar_inverter.MOS4' } {77180x3 double}
{'ee_solar_inverter.Diode2'} {77180x3 double}
{'ee_solar_inverter.Diode3'} {77180x3 double}
{'ee_solar_inverter.Diode4'} {77180x3 double}

```

View the time series data. From the workspace, open the `lossesCell` cell array, then open the `77180x3 double` numeric array for the `ee_solar_inverter.Diode1`.

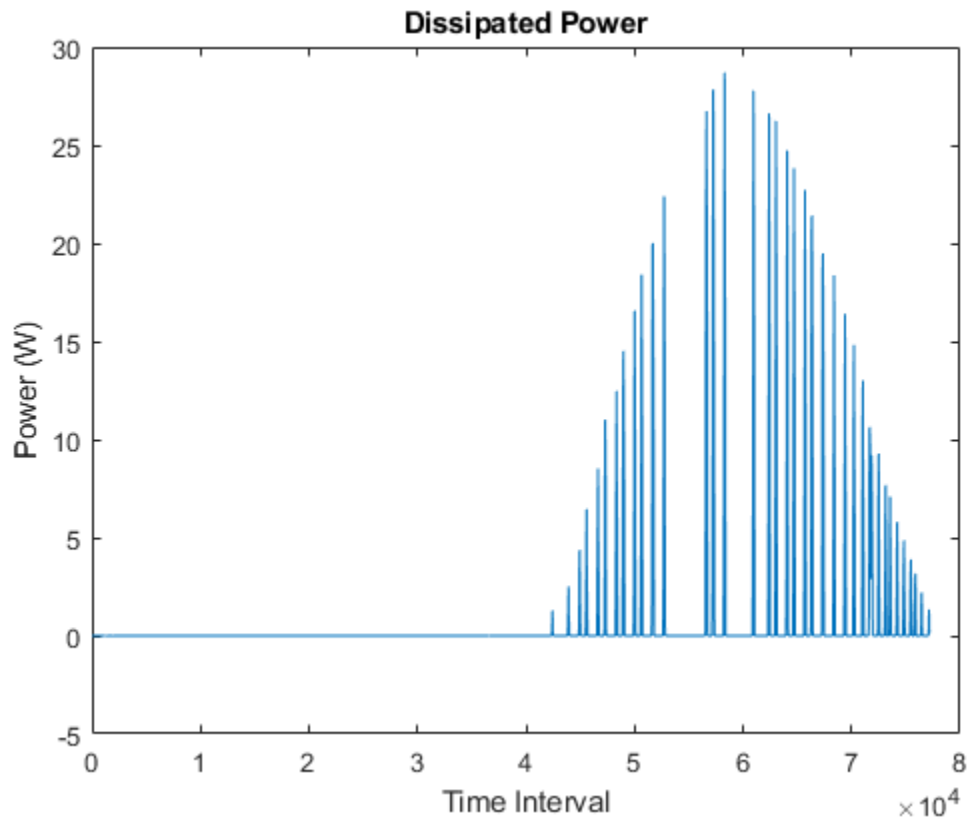
The first two columns contain the interval start and end time. The third column contains the power loss data.

Plot the data.

```

plot(lossesCell{1, 2}(:,end))
title('Dissipated Power')
xlabel('Time Interval')
ylabel('Power (W)')

```

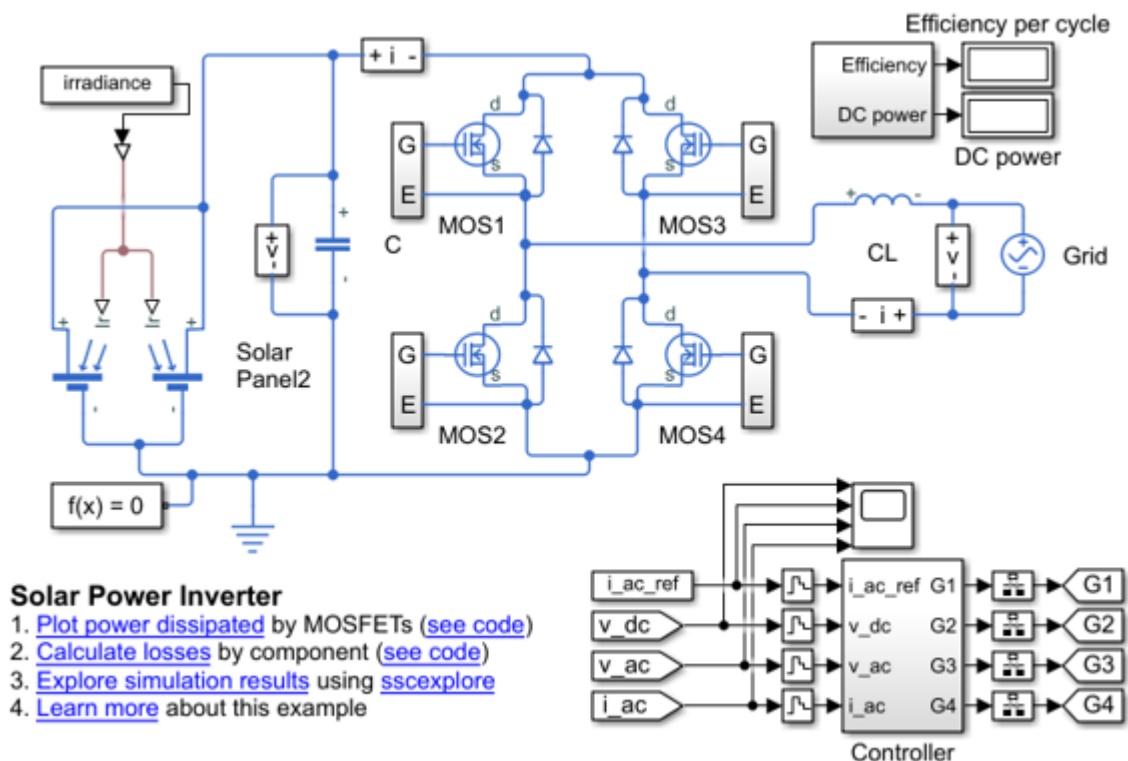


Calculate Dissipated Power Losses for a Specific Time Period

This example shows how to calculate instantaneous losses based on the power dissipated and return the time series data for all time steps in a specific time period using the `ee_getPowerLossTimeSeries` function.

Open the model. At the MATLAB® command prompt, enter:

```
model = 'ee_solar_inverter';
open_system(model)
```



This example model has data logging enabled. Run the simulation and create the simulation log variable.

```
sim(model)
```

The simulation log variable `simlog_ee_solar_inverter` is saved in your current workspace.

The model simulation time (t) is $1/60$ seconds. Calculate dissipated power losses and return the time series data in cell array for the second half of the simulation cycle, when t is between $1/120$ and $1/60$ seconds.

```
lossesCell = ee_getPowerLossTimeSeries(simlog_ee_solar_inverter, 1/120, 1/60)
```

```
lossesCell =
```

```
8×2 cell array
```

```

{'ee_solar_inverter.Diode1'} {39150x3 double}
{'ee_solar_inverter.MOS1' } {39150x3 double}
{'ee_solar_inverter.MOS2' } {39150x3 double}
{'ee_solar_inverter.MOS3' } {39150x3 double}
{'ee_solar_inverter.MOS4' } {39150x3 double}
{'ee_solar_inverter.Diode2'} {39150x3 double}
{'ee_solar_inverter.Diode3'} {39150x3 double}
{'ee_solar_inverter.Diode4'} {39150x3 double}

```

View the time series data. From the workspace, open the `lossesCell` cell array, then open the 39150x3 double numeric array for the `ee_solar_inverter.Diode1`.

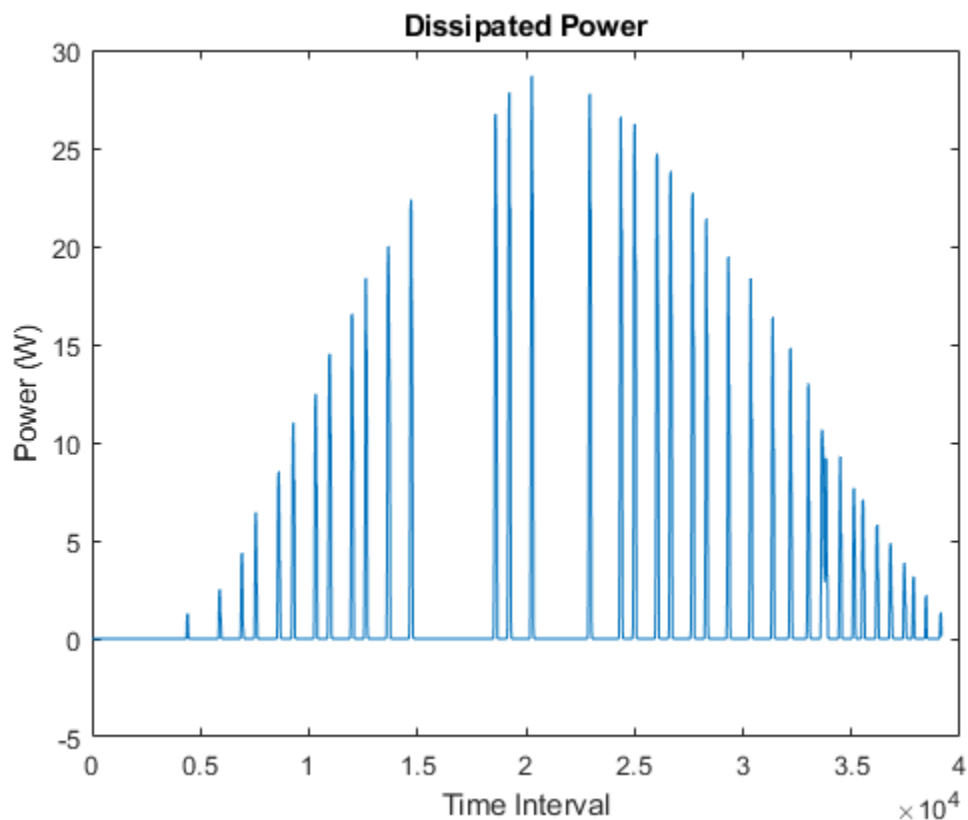
The first two columns contain the interval start and end time. The third column contains the power loss data.

Plot the data.

```

plot(lossesCell{1, 2}(:,end))
title('Dissipated Power')
xlabel('Time Interval')
ylabel('Power (W)')

```

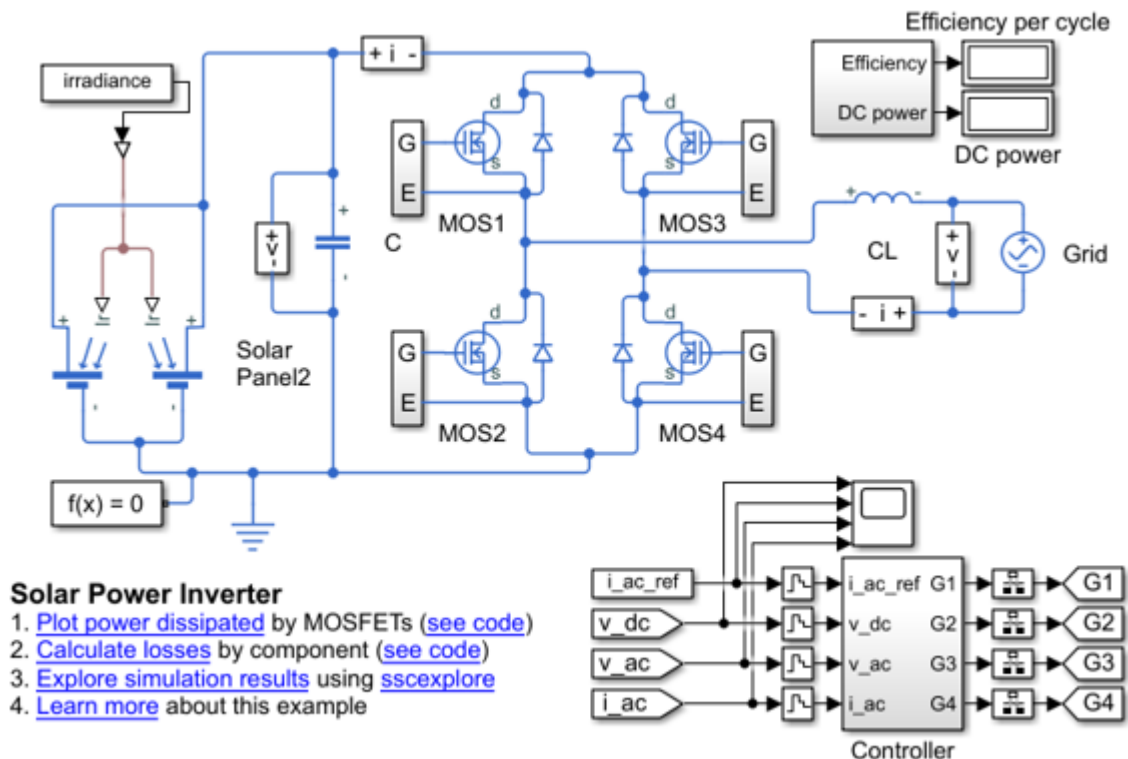


Calculate Dissipated Power Losses Using Specific Interval Widths

This example shows how to calculate losses based on the power dissipated and return the time series data for a specific time period with averaging applied over intervals of a specified width.

Open the model. At the MATLAB® command prompt, enter:

```
model = 'ee_solar_inverter';
open_system(model)
```



This example model has data logging enabled. Run the simulation and create the simulation log variable.

```
sim(model)
```

The simulation log variable `simlog_ee_solar_converter` is saved in your current workspace.

The model simulation time (`t`) is 1/60 seconds. Calculate the average dissipated power losses for 1.1e-4 s intervals and return the time series data in cell array for the period when simulation time, `t`, is 0.008-0.017 seconds.

```
lossesCell = ee_getPowerLossTimeSeries(simlog_ee_solar_inverter,0.008,0.016,1.1e-4)
```

```
lossesCell =
```

```
8x2 cell array
```

```
 {'ee_solar_inverter.Diode1'}    {72x3 double}
```

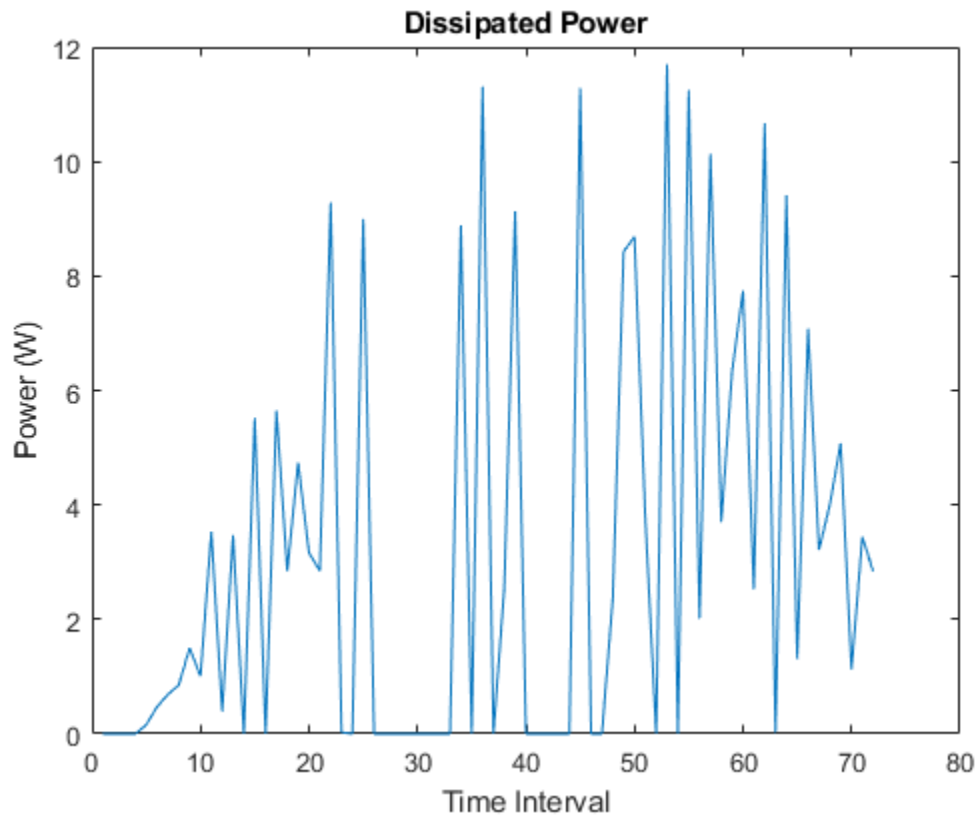
```
'ee_solar_inverter.MOS1' } {72x3 double}
'ee_solar_inverter.MOS2' } {72x3 double}
'ee_solar_inverter.MOS3' } {72x3 double}
'ee_solar_inverter.MOS4' } {72x3 double}
'ee_solar_inverter.Diode2'} {72x3 double}
'ee_solar_inverter.Diode3'} {72x3 double}
'ee_solar_inverter.Diode4'} {72x3 double}
```

View the time series data. From the workspace, open the `lossesCell` cell array, then open the 72x3 double numeric array for the `ee_solar_inverter.Diode1`

The first two columns contain the interval start and end time. The third column contains the power loss data. In this case, to use averaging intervals that are equal in width to 1.1e-4 seconds, the function adjusts the start time for the first interval from the specified value of 0.008 seconds to a value of 0.0081 seconds. There are 72 intervals of 1.1e-4 seconds.

Plot the data.

```
plot(lossesCell{1, 2}(:,end))
title('Dissipated Power')
xlabel('Time Interval')
ylabel('Power (W)')
```



Input Arguments

node — Simulation log variable, or a specific node within the simulation log variable

Node object

Simulation log workspace variable, or a node within this variable, that contains the logged model simulation data, specified as a Node object. You specify the name of the simulation log variable by using the **Workspace variable name** parameter on the **Simscape** pane of the Configuration Parameters dialog box. To specify a node within the simulation log variable, provide the complete path to that node through the simulation data tree, starting with the top-level variable name.

If **node** is the name of the simulation log variable, then the table contains the data for all blocks in the model that contain `power_dissipated` variables. If **node** is the name of a node in the simulation data tree, then the table contains the data only for:

- Blocks or variables within that node
- Blocks or variables within subnodes at all levels of the hierarchy beneath that node

Example: `simlog.Cell1.MOS1`

startTime — Start of the time interval for calculating the data

0 (default) | real number

Start of the time interval for calculating the power loss time series, specified as a real number, in seconds. `startTime` must be greater than or equal to the simulation **Start time** and less than `endTime`.

Data Types: double

endTime — End of the time interval for calculating the data

simulation stop time (default) | real number

End of the time interval for calculating the power loss time series, specified as a real number, in seconds. `endTime` must be greater than `startTime` and less than or equal to the simulation **Stop time**.

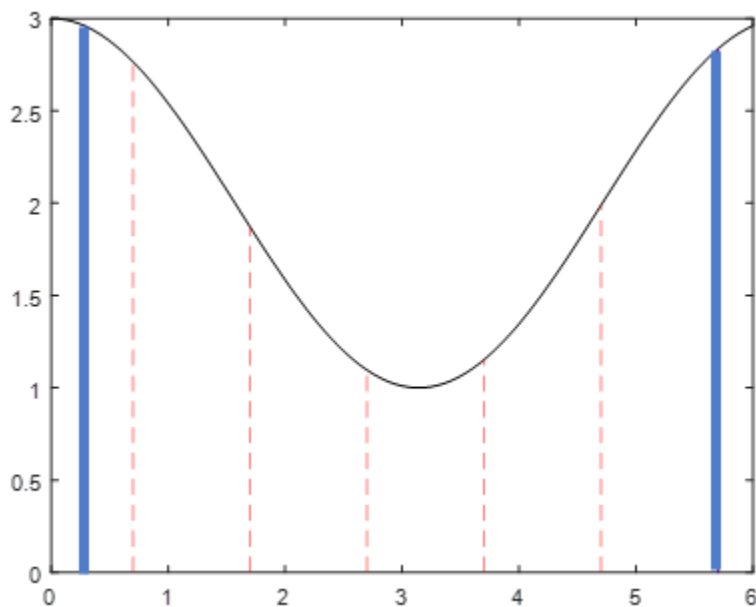
Data Types: double

intervalWidth — Size of the time interval for calculating the average power dissipation

0 (default) | real number

Size of the time interval for calculating the average power dissipation, specified as a real number, in seconds. If specified, the function returns data for time steps from `startTime` to `endTime`, averaged over the `intervalWidth`. If you omit the `intervalWidth` argument, or set it to 0, the function returns the instantaneous data, without averaging. If all the optional arguments are omitted, the function returns the instantaneous data over the whole simulation time.

If the time between the specified `startTime` and `endTime` is not an integer multiple of `intervalWidth`, the function adjusts the start time. The figure shows how the function adjusts the start time to ensure that width of each time interval that the dissipated power is averaged over is equal to the specified `intervalWidth`.



The black line is an example of the instantaneous `power_dissipated` variables summed over all elements in an individual block. The simulation runs for 6 seconds. The `startTime` and `endTime` are indicated by the solid blue lines. The `intervalWidth` is set to 1 second. There are five intervals as

indicated by the red dashed lines. The right-most edge of the last interval coincides with `endTime`. The left-most edge of the first interval is always greater than or equal to `startTime`. The edge is equal to `startTime` only if $(endTime - startTime) / intervalWidth$ is an integer. The output in this case consists of five values for the averaged power dissipation, one point for each time period. The function outputs the actual start and stop times in the tabulated output data.

Example: `1.1e-3`

Data Types: `double`

Output Arguments

lossesCell — Time series of the dissipated power losses for each block

cell array

Cell array that contains the names of the blocks in the nodes that contain *power_dissipated* variables and, for each block, a three-column array:

- Column one contains the interval start time.
- Column two contains the interval end time.
- Column three contains the dissipated power for the time interval.

If the interval width is 0 seconds, that is, the start time is equal to the end time, then the dissipated power is the instantaneous power loss. If the interval is greater than 0 seconds, the dissipated power is the average power loss for the time of the interval.

See Also

[ee_getEfficiency](#) | [ee_getPowerLossSummary](#) | [sscexplore](#)

Topics

“About Simulation Data Logging”

“About the Simscape Results Explorer”

Introduced in R2017a

ee_plotHarmonics

Plot percentage of fundamental magnitude versus harmonic order

Syntax

```
ee_plotHarmonics(loggingNode)
ee_plotHarmonics(loggingNode,valueIdx)
ee_plotHarmonics(loggingNode,valueIdx,tOfInterest)
ee_plotHarmonics(loggingNode,valueIdx,tOfInterest,nPeriodOfInterest)
ee_plotHarmonics(loggingNode,valueIdx,tOfInterest,nPeriodOfInterest,...
offsetOfInterest)
ee_plotHarmonics(loggingNode,valueIdx,tOfInterest,nPeriodOfInterest,...
offsetOfInterest,nHarmonic)
```

Description

`ee_plotHarmonics(loggingNode)` plots a bar chart of percentage of fundamental magnitude versus harmonic order of the `simscape.logging.Node` of an AC or periodic variable. The title of the bar chart includes the fundamental frequency, fundamental peak value, and total harmonic distortion (THD) percentage.

You enter the input arguments in a specific order. The Simscape logging node input argument is required. All other input arguments are optional and have default values. If you are specifying a value for a subsequent optional input argument, enter `[]` to use the default value for an optional input argument.

The `ee_plotHarmonics` function uses the `ee_getHarmonics` function to:

- Find the points in the i^{th} signal (`valueIdx`) where the Simscape log crosses a threshold (`offsetOfInterest`).
- Use the crossing points to find the required number of periods (`nPeriodOfInterest`) preceding the specified time (`tOfInterest`).
- Calculate the harmonic magnitudes, up to and including the required number of harmonics (`nHarmonic`).
- Input the down-selected data to the Goertzel algorithm, which calculates the harmonic magnitudes up to and including the required number of harmonics (`nHarmonic`).

Note The `ee_getHarmonics` function uses threshold crossing points to determine the fundamental frequency of the data. If your input data is noisy or crosses the threshold more frequently than half of the fundamental period, filter it before you use the `ee_plotHarmonics` function to plot it.

The `ee_plotHarmonics` function then inputs the harmonic orders and harmonic magnitudes to the `ee_calculateThdPercent` function to calculate the THD.

`ee_plotHarmonics(loggingNode,valueIdx)` uses the index into value data.

`ee_plotHarmonics(loggingNode,valueIdx,tOfInterest)` uses the simulation time.

`ee_plotHarmonics(loggingNode,valueIdx,t0fInterest,nPeriodOfInterest)` uses the number of periods of fundamental frequency.

`ee_plotHarmonics(loggingNode,valueIdx,t0fInterest,nPeriodOfInterest,...,offsetOfInterest)` uses the DC offset.

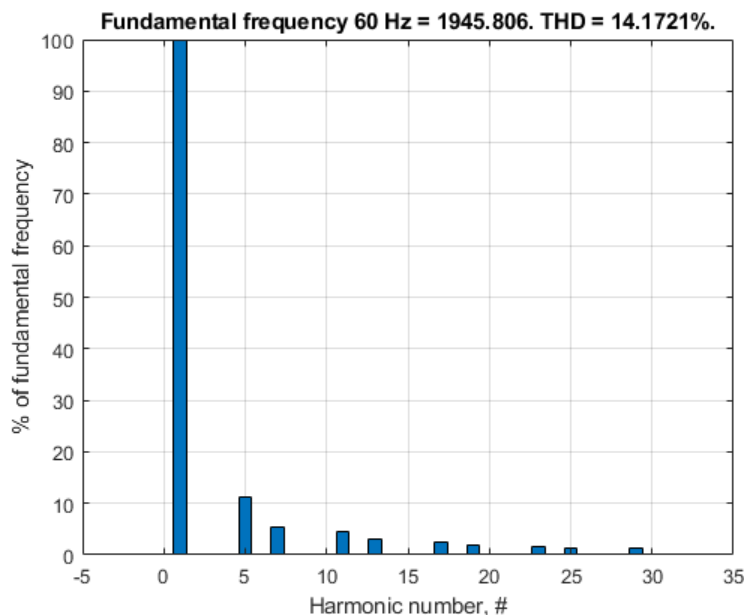
`ee_plotHarmonics(loggingNode,valueIdx,t0fInterest,nPeriodOfInterest,...,offsetOfInterest,nHarmonic)` uses the number of harmonics.

Examples

Plot Using Default Values

This set of function arguments uses the Simscape logging node `simlog_ee_harmonics_rectifier.Sensing_current.Current_Sensor.I`, which contains data from a three-phase current. The function analyzes the default signal, which is the first, or a-phase, signal at the final simulation time. The function uses the default values of 12 for the number of periods of the signal, 0V for the signal bias, and 30 for the number of harmonics.

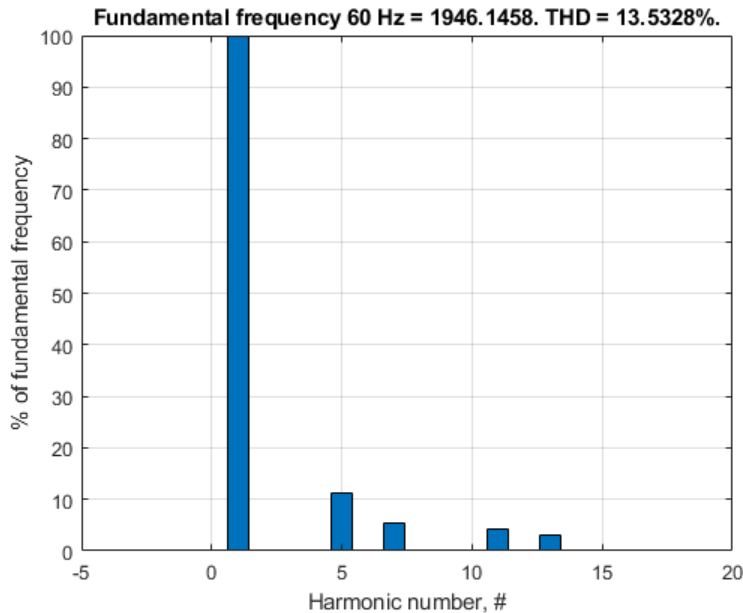
```
open_system('ee_harmonics_rectifier')
sim('ee_harmonics_rectifier')
ee_plotHarmonics(simlog_ee_harmonics_rectifier.Sensing_current.Current_Sensor.I)
```



Plot Using Specified Values

This set of function arguments uses the Simscape logging node `simlog_ee_harmonics_rectifier.Sensing_current.Current_Sensor.I`, which contains data from a three-phase current. The function analyzes the second, or b-phase, signal at a simulation time of 0.5 s. The function uses 10 periods of the signal, assuming a bias of 1V. The function analyzes 15 harmonics.

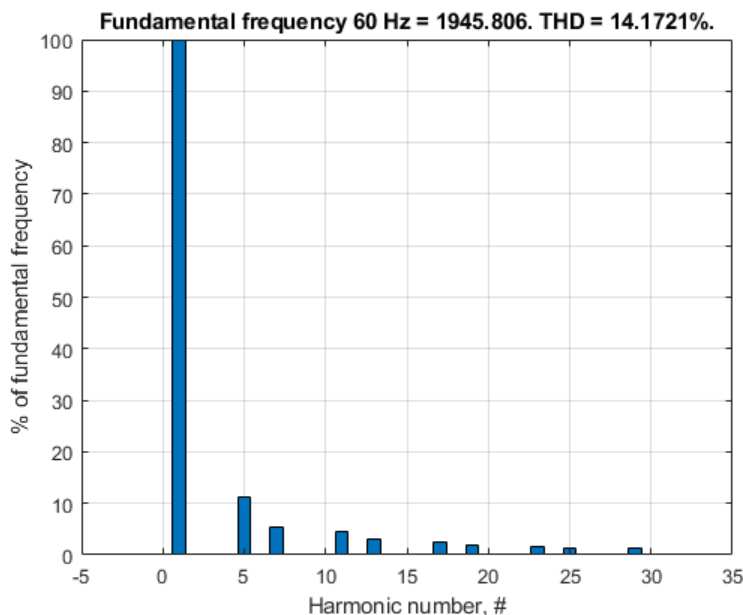
```
open_system('ee_harmonics_rectifier')
sim('ee_harmonics_rectifier')
ee_plotHarmonics(simlog_ee_harmonics_rectifier.Sensing_current.Current_Sensor.I,2,0.5,10,1,15)
```



Plot Using Default and Specified Values

This set of function arguments uses the Simscape logging node `simlog_ee_harmonics_rectifier.Sensing_current.Current_Sensor.I`, which contains data from a three-phase current. The function analyzes the first, or a-phase, signal at a simulation time of 0.5 s. The function uses 12 periods of the signal, assuming a bias of 1V. The function analyzes the default number, 30, of harmonics.

```
open_system('ee_harmonics_rectifier')
sim('ee_harmonics_rectifier')
ee_plotHarmonics(simlog_ee_harmonics_rectifier.Sensing_current.Current_Sensor.I,[],0.5,[],1)
```



Input Arguments

loggingNode — Simscape logging node

1-by-1 `simscape.logging.Node`

Simscape logging node, specified as a 1-by-1 `simscape.logging.Node`. You create a `simscape.logging.Node` by running a simulation with Simscape logging enabled. To learn how to enable data logging, see “Enable Data Logging for the Whole Model”.

Example: `simlog.Load.V`

The Simscape logging node `simlog.Load.V` contains data from a three-phase voltage.

valueIdx — Index into value data

1 (default) | scalar

Index into value data, specified as a scalar. Specifies the i^{th} variable of interest in the Simscape log.

Example: 2

Specify the b-phase, which is the second signal from a three-phase voltage.

Example: []

Use [] to specify the default value of 1. The a-phase, which is the first signal from a three-phase voltage, is the default signal of interest.

Data Types: `single` | `double` | `int8` | `int16` | `int32` | `int64` | `uint8` | `uint16` | `uint32` | `uint64`

t0fInterest — Simulation time

final time in Simscape log (default) | scalar

Simulation time of interest for harmonic analysis, specified as a scalar.

Example: 2.3

Specify a 2.3s simulation time.

Data Types: `single` | `double` | `int8` | `int16` | `int32` | `int64` | `uint8` | `uint16` | `uint32` | `uint64`

nPeriodOfInterest — Number of periods

12 (default) | scalar

Number of periods of fundamental frequency to be included in harmonic analysis, specified as a scalar.

Example: 10

Specify 10 periods of the signal.

Data Types: `single` | `double` | `int8` | `int16` | `int32` | `int64` | `uint8` | `uint16` | `uint32` | `uint64`

offset0fInterest — DC offset

0 (default) | scalar

DC offset in the input signal, specified as a scalar. The function uses this value to find the periods of interest.

Example: 1

Specify a bias of 1V for the signal.

Data Types: `single` | `double` | `int8` | `int16` | `int32` | `int64` | `uint8` | `uint16` | `uint32` | `uint64`

nHarmonic – Number of harmonics

30 (default) | scalar

Number of harmonics to include in analysis, specified as a scalar.

Example: 15

Specify that the number of harmonics to be analyzed is 15.

Data Types: `single` | `double` | `int8` | `int16` | `int32` | `int64` | `uint8` | `uint16` | `uint32` | `uint64`

See Also**Blocks**

Spectrum Analyzer

Functions

`ee_calculateThdPercent` | `ee_getHarmonics`

Objects

`simscape.logging.Node`

Topics

“Perform an Online Harmonic Analysis Using the Simscape Spectrum Analyzer Block”

“Choose a Simscape Electrical Function for an Offline Harmonic Analysis”

“Data Logging”

“Harmonic Analysis of a Three-Phase Rectifier”

Introduced in R2014a

elec_calculateFluxPartialDerivatives

Calculate flux partial derivatives for FEM-Parameterized PMSM block

Syntax

```
[dFdA,dFdB,dFdC,dFdX] = elec_calculateFluxPartialDerivatives(A,B,C,X,F)
[dFdA,dFdB,dFdC,dFdX,D,Q] = elec_calculateFluxPartialDerivatives(A,B,C,X,F)
```

Description

`[dFdA,dFdB,dFdC,dFdX] = elec_calculateFluxPartialDerivatives(A,B,C,X,F)` calculates the partial derivatives from flux linkage. For improved numerical performance, the FEM-Parameterized PMSM block works with flux linkage partial derivatives, rather than directly with flux linkage. If your finite-element motor design tool does not have an option to output partial derivatives, then you can use this function to calculate the partial derivatives from the flux linkage. The flux linkage F must be a four-dimensional matrix with the first three dimensions corresponding to the A, B, and C phase currents, and the fourth dimension corresponding to the rotor angle X . The function returns four-dimensional matrices for the four partial derivatives. Use this syntax in conjunction with the 4-D Data variant of the block.

`[dFdA,dFdB,dFdC,dFdX,D,Q] = elec_calculateFluxPartialDerivatives(A,B,C,X,F)` returns two additional output arguments corresponding to d -axis and q -axis currents, respectively. In this case, the four partial derivatives are three-dimensional, the first two dimensions corresponding to the d -axis and q -axis currents, and the third dimension corresponding to the rotor angle. Use this syntax in conjunction with the 3-D Data variant of the block.

Examples

Calculate 4-D flux linkage partial derivatives

Suppose F is a four-dimensional matrix containing flux linkage data, exported by your finite-element motor design tool. The matrix dimensions correspond to the three phase currents and the rotor angle, respectively. The data is cyclical in the fourth dimension, corresponding to the rotor angle.

Tip If you do not have data from a finite-element motor design tool for your PMSM, to prevent a simulation error, before running the code for this example, first generate the required F matrix by running the Generate 4-D Flux Linkage Matrix F example for the `ee_generateIdealPMSMfluxData` function.

Either directly import or recreate the current vectors. For example, if recreating a current vector with evenly spaced values between -250 and 250 A and 5 A increments, then:

```
iA = linspace(-250,250,5);
iB = iA;
iC = iA;
```

Import or define the number of pole pairs.

```
N = 6;
```

Import the rotor angle vector or recreate it based on the number of pole pairs.

```
X = pi/180*linspace(0,360/N,180/N+1);
```

Calculate the flux linkage partial derivatives.

```
[dFdA,dFdB,dFdC,dFdX] = elec_calculateFluxPartialDerivatives(iA,iB,iC,X,F);
```

The function returns four 4-D matrices for the flux linkage partial derivatives. The four matrices correspond to the three phase currents and the rotor angle, respectively. The matrix dimensions also correspond to the three phase currents and the rotor angle.

Calculate 3-D flux linkage partial derivatives

Suppose F is a four-dimensional matrix containing flux linkage data, exported by your finite-element motor design tool. The matrix dimensions correspond to the three phase currents and the rotor angle, respectively. The data is cyclical in the fourth dimension, corresponding to the rotor angle.

Tip If you do not have data from a finite-element motor design tool for your PMSM, to prevent a simulation error, before running the code for this example, first generate the required F matrix by running the Generate 4-D Flux Linkage Matrix F example for the `ee_generateIdealPMSMfluxData` function.

Either directly import or recreate the current vectors. For example, if recreating a current vector with evenly spaced values between -250 and 250 A and 5 A increments:

```
iA = linspace(-250,250,5);  
iB = iA;  
iC = iA;
```

Import or define the number of pole pairs.

```
N = 6;
```

Import the rotor angle vector or recreate it based on the number of pole pairs.

```
X = pi/180*linspace(0,360/N,180/N+1);
```

Calculate the flux linkage partial derivatives.

```
[dFdA,dFdB,dFdC,dFdX,iD,iQ] = elec_calculateFluxPartialDerivatives(iA,iB,iC,X,F);
```

The function returns four 3-D matrices for the flux linkage partial derivatives and two vectors for the d -axis and q -axis current values. The four matrices correspond to the three phase currents and the rotor angle, respectively. The matrix dimensions correspond to the d -axis and q -axis currents and the rotor angle.

Input Arguments

A — A-phase current, in amperes

vector

A-phase current, in amperes, specified as a vector. The vector must be monotonically increasing and two-sided (contain both positive and negative values). Best practice is to include zero current as one of the points.

Data Types: double

B — B-phase current, in amperes

vector

B-phase current, in amperes, specified as a vector. The vector must be monotonically increasing and two-sided (contain both positive and negative values). Best practice is to include zero current as one of the points.

Data Types: double

C — C-phase current, in amperes

vector

C-phase current, in amperes, specified as a vector. The vector must be monotonically increasing and two-sided (contain both positive and negative values). Best practice is to include zero current as one of the points.

Data Types: double

X — Rotor angle, in radians

vector

The rotor angle, in radians, specified as a vector. The values must be in the range from zero to $2\pi/N$, where N is the number of pole pairs.

Data Types: double

F — Flux linkage, in weber-turns

four-dimensional matrix

The flux linkage, in weber-turns, specified as a four-dimensional matrix, with dimensions corresponding to the three phase currents and rotor angle. The data must be cyclical in the fourth (rotor angle) dimension, that is, for all i, j , and k , $F(i,j,k,0) = F(i,j,k,2\pi/N)$, where N is the number of pole pairs.

Data Types: double

Output Arguments

dFdA — Flux linkage partial derivative with respect to the A-phase current

matrix

Flux linkage partial derivative with respect to the A-phase current, returned as a matrix. For syntax used with the 4-D Data variant of the block, the matrix is four-dimensional. For syntax used with the 3-D Data variant of the block, the matrix is three-dimensional, the first two dimensions corresponding to the d -axis and q -axis currents, and the third dimension corresponding to the rotor angle.

dFdB — Flux linkage partial derivative with respect to the B-phase current

matrix

Flux linkage partial derivative with respect to the B-phase current, returned as a matrix. For syntax used with the 4-D Data variant of the block, the matrix is four-dimensional. For syntax used with the

3-D Data variant of the block, the matrix is three-dimensional, the first two dimensions corresponding to the d -axis and q -axis currents, and the third dimension corresponding to the rotor angle.

dF_{dC} — Flux linkage partial derivative with respect to the C-phase current

matrix

Flux linkage partial derivative with respect to the C -phase current, returned as a matrix. For syntax used with the 4-D Data variant of the block, the matrix is four-dimensional. For syntax used with the 3-D Data variant of the block, the matrix is three-dimensional, the first two dimensions corresponding to the d -axis and q -axis currents, and the third dimension corresponding to the rotor angle.

dF_{dX} — Flux linkage partial derivative with respect to the rotor angle

matrix

Flux linkage partial derivative with respect to the rotor angle, returned as a matrix. For syntax used with the 4-D Data variant of the block, the matrix is four-dimensional. For syntax used with the 3-D Data variant of the block, the matrix is three-dimensional, the first two dimensions corresponding to the d -axis and q -axis currents, and the third dimension corresponding to the rotor angle.

D — D-axis current, in amperes

vector

D -axis current, in amperes, returned as a vector. This is an optional output argument, to be used when you want to generate 3-D flux linkage partial derivatives. The vector defines the d -axis current values at which the partial derivatives are determined.

Q — Q-axis current, in amperes

vector

Q -axis current, in amperes, returned as a vector. This is an optional output argument, to be used when you want to generate 3-D flux linkage partial derivatives. The vector defines the q -axis current values at which the partial derivatives are determined.

Algorithms

The function calculates partial derivatives using Akima splines, the same method that is used for smooth interpolation in the Simscape language `tablelookup` function. For more information, see `makima`. Akima splines are suitable for estimating partial derivatives due to their smooth nature and tendency not to introduce local gradient reversals.

Compatibility Considerations

`elec_calculateFluxPartialDerivatives` will be removed

Not recommended starting in R2019a

The `elec_calculateFluxPartialDerivatives` function will be removed in a future release. Use the `ee_calculateFluxPartialDerivatives` function instead. The only difference between these functions is the function name. To prevent your code from generating an error when the function is removed, update to the new function name.

See Also

`ee_calculateFluxPartialDerivatives` | `ee_generateIdealPMSMfluxData`

Introduced in R2017a

elec_generateIdealPMSMfluxData

Generate tabulated flux linkage data for ideal PMSM

Syntax

```
[F,T,dFdA,dFdB,dFdC,dFdX] = elec_generateIdealPMSMfluxData(PM,Ld,Lq,L0,A,B,C,X)
[F] = elec_generateIdealPMSMfluxData(PM,Ld,Lq,L0,A,B,C,X)
[F,T,dFdA,dFdB,dFdC,dFdX] = elec_generateIdealPMSMfluxData(PM,Ld,Lq,L0,D,Q,X)
[F] = elec_generateIdealPMSMfluxData(PM,Ld,Lq,L0,D,Q,X)
```

Description

[F,T,dFdA,dFdB,dFdC,dFdX] = elec_generateIdealPMSMfluxData(PM,Ld,Lq,L0,A,B,C,X) generates 4-D flux linkage data, including the torque and the partial derivatives, for an ideal permanent magnet synchronous motor (PMSM).

Use this function to create test data for the FEM-Parameterized PMSM block, either for validation purposes or to set up a model before the actual flux linkage data is available.

[F] = elec_generateIdealPMSMfluxData(PM,Ld,Lq,L0,A,B,C,X) generates 4-D flux linkage matrix F for an ideal permanent magnet synchronous motor (PMSM).

[F,T,dFdA,dFdB,dFdC,dFdX] = elec_generateIdealPMSMfluxData(PM,Ld,Lq,L0,D,Q,X) generates 3-D flux linkage data, including the torque and the partial derivatives, for an ideal PMSM.

[F] = elec_generateIdealPMSMfluxData(PM,Ld,Lq,L0,D,Q,X) generates 3-D flux linkage matrix F for an ideal PMSM.

Examples

Generate 4-D Flux Linkage Data

Specify the motor parameters.

```
PM = 0.1;      % Permanent magnet flux
N = 6;        % Number of pole pairs
Ld = 0.0002;  % D-axis inductance
Lq = 0.0002;  % Q-axis inductance
L0 = 0.00018; % Zero-sequence inductance
Rs = 0.013;   % Stator resistance
```

Define the phase current vectors.

```
iA = linspace(-250,250,5);
iB = iA;
iC = iA;
```

Specify the rotor angle vector based on the number of pole pairs.

```
X = pi/180*linspace(0,360/N,180/N+1);
```

Tabulate flux linkage partial derivatives and torque in terms of A-,B-,C-currents and rotor angle.

```
[F, T, dFdA, dFdB, dFdC, dFdX] = elec_generateIdealPMSMfluxData(PM, Ld, Lq, L0, iA, iB, iC, X);
```

The function returns a 4-D flux linkage matrix F , a 4-D torque matrix T , and four 4-D matrices for the flux linkage partial derivatives. The four partial derivative matrices correspond to the three phase currents and the rotor angle, respectively. The matrix dimensions correspond to the three phase currents and the rotor angle.

Generate 4-D Flux Linkage Matrix F

Specify the motor parameters.

```
PM = 0.1;      % Permanent magnet flux
N = 6;        % Number of pole pairs
Ld = 0.0002;  % D-axis inductance
Lq = 0.0002;  % Q-axis inductance
L0 = 0.00018; % Zero-sequence inductance
Rs = 0.013;   % Stator resistance
```

Define the phase current vectors.

```
iA = linspace(-250, 250, 5);
iB = iA;
iC = iA;
```

Specify the rotor angle vector based on the number of pole pairs.

```
X = pi/180*linspace(0, 360/N, 180/N+1);
```

Tabulate flux linkage partial derivatives and torque in terms of A-,B-,C-currents and rotor angle.

```
F = elec_generateIdealPMSMfluxData(PM, Ld, Lq, L0, iA, iB, iC, X);
```

The function returns a 4-D flux linkage matrix F , a 4-D torque matrix T , and four 4-D matrices for the flux linkage partial derivatives. The four partial derivative matrices correspond to the three phase currents and the rotor angle, respectively. The matrix dimensions correspond to the three phase currents and the rotor angle.

Generate 3-D Flux Linkage Data

Specify the motor parameters.

```
PM = 0.1;      % Permanent magnet flux
N = 6;        % Number of pole pairs
Ld = 0.0002;  % D-axis inductance
Lq = 0.0002;  % Q-axis inductance
L0 = 0.00018; % Zero-sequence inductance
Rs = 0.013;   % Stator resistance
```

Define the d -axis and q -axis current vectors.

```
iD = linspace(-250, 250, 5);
iQ = iD;
```

Specify the rotor angle vector based on the number of pole pairs.

```
X = pi/180*linspace(0,360/N,180/N+1);
```

Tabulate flux linkage partial derivatives and torque in terms of d -axis and q -axis currents and rotor angle.

```
[F,T,dFdA,dFdB,dFdC,dFdX] = elec_generateIdealPMSMfluxData(PM,Ld,Lq,L0,iD,iQ,X);
```

The function returns a 3-D flux linkage matrix F , a 3-D torque matrix T , and four 3-D matrices for the flux linkage partial derivatives. The four partial derivative matrices correspond to the three phase currents and the rotor angle, respectively. The matrix dimensions correspond to the d -axis and q -axis currents and the rotor angle.

Generate 3-D Flux Linkage Matrix F

Specify the motor parameters.

```
PM = 0.1;      % Permanent magnet flux
N = 6;        % Number of pole pairs
Ld = 0.0002;  % D-axis inductance
Lq = 0.0002;  % Q-axis inductance
L0 = 0.00018; % Zero-sequence inductance
Rs = 0.013;   % Stator resistance
```

Define the d -axis and q -axis current vectors.

```
iD = linspace(-250,250,5);
iQ = iD;
```

Specify the rotor angle vector based on the number of pole pairs.

```
X = pi/180*linspace(0,360/N,180/N+1);
```

Tabulate flux linkage partial derivatives and torque in terms of d -axis and q -axis currents and rotor angle.

```
F = elec_generateIdealPMSMfluxData(PM,Ld,Lq,L0,iD,iQ,X);
```

The function returns a 3-D flux linkage matrix F . The matrix dimensions correspond to the d -axis and q -axis currents and the rotor angle.

Input Arguments

PM — Peak permanent magnet flux linkage, in weber-turns

scalar

Peak permanent magnet flux linkage, in weber-turns, specified as a scalar.

Data Types: double

Ld — D-axis inductance, in henries

scalar

D -axis inductance, in henries, specified as a scalar.

Data Types: double

L_q — Q-axis inductance, in henries

scalar

Q-axis inductance, in henries, specified as a scalar.

Data Types: double

L₀ — Zero-sequence inductance, in henries

scalar

Zero-sequence inductance, in henries, specified as a scalar.

Data Types: double

A — A-phase current, in amperes

vector

A-phase current, in amperes, specified as a vector. The vector must be monotonically increasing and two-sided (contain both positive and negative values). Best practice is to include zero current as one of the points. Use this input argument to generate 4-D flux linkage data.

Data Types: double

B — B-phase current, in amperes

vector

B-phase current, in amperes, specified as a vector. The vector must be monotonically increasing and two-sided (contain both positive and negative values). Best practice is to include zero current as one of the points. Use this input argument to generate 4-D flux linkage data.

Data Types: double

C — C-phase current, in amperes

vector

C-phase current, in amperes, specified as a vector. The vector must be monotonically increasing and two-sided (contain both positive and negative values). Best practice is to include zero current as one of the points. Use this input argument to generate 4-D flux linkage data.

Data Types: double

D — D-axis current, in amperes

vector

D-axis current, in amperes, specified as a vector. The vector must be monotonically increasing and two-sided (contain both positive and negative values). Best practice is to include zero current as one of the points. Use this input argument to generate 3-D flux linkage data.

Data Types: double

Q — Q-axis current, in amperes

vector

Q-axis current, in amperes, specified as a vector. The vector must be monotonically increasing and two-sided (contain both positive and negative values). Best practice is to include zero current as one of the points. Use this input argument to generate 3-D flux linkage data.

Data Types: double

X — Rotor angle, in radians

vector

The rotor angle, in radians, specified as a vector. The values must be in the range from zero to $2\pi/N$, where N is the number of pole pairs.

Data Types: double

Output Arguments**F — Flux linkage**

matrix

The flux linkage, in weber-turns, returned as a matrix. The matrix can be four-dimensional or three-dimensional, depending on the syntax used to call the function. In a four-dimensional matrix, the first three dimensions correspond to the phase currents, and the fourth dimension corresponds to the rotor angle. In a three-dimensional matrix, the first two dimensions correspond to the d -axis and q -axis currents, and the third dimension corresponds to the rotor angle.

T — Torque

matrix

Torque, in N*m, returned as a matrix. The matrix can be four-dimensional or three-dimensional, depending on the syntax used to call the function. In a four-dimensional matrix, the first three dimensions correspond to the phase currents, and the fourth dimension corresponds to the rotor angle. In a three-dimensional matrix, the first two dimensions correspond to the d -axis and q -axis currents, and the third dimension corresponds to the rotor angle.

dFdA — Flux linkage partial derivative with respect to the A-phase current

matrix

Flux linkage partial derivative with respect to the A-phase current, returned as a matrix. The matrix can be four-dimensional or three-dimensional, depending on the syntax used to call the function. In a four-dimensional matrix, the first three dimensions correspond to the phase currents, and the fourth dimension corresponds to the rotor angle. In a three-dimensional matrix, the first two dimensions correspond to the d -axis and q -axis currents, and the third dimension corresponds to the rotor angle.

dFdB — Flux linkage partial derivative with respect to the B-phase current

matrix

Flux linkage partial derivative with respect to the B-phase current, returned as a matrix. The matrix can be four-dimensional or three-dimensional, depending on the syntax used to call the function. In a four-dimensional matrix, the first three dimensions correspond to the phase currents, and the fourth dimension corresponds to the rotor angle. In a three-dimensional matrix, the first two dimensions correspond to the d -axis and q -axis currents, and the third dimension corresponds to the rotor angle.

dFdC — Flux linkage partial derivative with respect to the C-phase current

matrix

Flux linkage partial derivative with respect to the C-phase current, returned as a matrix. The matrix can be four-dimensional or three-dimensional, depending on the syntax used to call the function. In a four-dimensional matrix, the first three dimensions correspond to the phase currents, and the fourth dimension corresponds to the rotor angle. In a three-dimensional matrix, the first two dimensions correspond to the d -axis and q -axis currents, and the third dimension corresponds to the rotor angle.

dFdX — Flux linkage partial derivative with respect to the rotor angle

matrix

Flux linkage partial derivative with respect to the rotor angle, returned as a matrix. The matrix can be four-dimensional or three-dimensional, depending on the syntax used to call the function. In a four-dimensional matrix, the first three dimensions correspond to the phase currents, and the fourth dimension corresponds to the rotor angle. In a three-dimensional matrix, the first two dimensions correspond to the d -axis and q -axis currents, and the third dimension corresponds to the rotor angle.

Algorithms

The flux linking each winding has contributions from the permanent magnet plus the three windings. Therefore, the total flux is given by [1] on page 2-18:

$$\begin{bmatrix} \psi_a \\ \psi_b \\ \psi_c \end{bmatrix} = \begin{bmatrix} L_{aa} & L_{ab} & L_{ac} \\ L_{ba} & L_{bb} & L_{bc} \\ L_{ca} & L_{cb} & L_{cc} \end{bmatrix} \begin{bmatrix} i_a \\ i_b \\ i_c \end{bmatrix} + \begin{bmatrix} \psi_{am} \\ \psi_{bm} \\ \psi_{cm} \end{bmatrix}$$

$$L_{aa} = L_s + L_m \cos(2\theta_r)$$

$$L_{bb} = L_s + L_m \cos(2(\theta_r - 2\pi/3))$$

$$L_{cc} = L_s + L_m \cos(2(\theta_r + 2\pi/3))$$

$$L_{ab} = L_{ba} = -M_s - L_m \cos(\theta_r + \pi/6)$$

$$L_{bc} = L_{cb} = -M_s - L_m \cos(\theta_r + \pi/6 - 2\pi/3)$$

$$L_{ca} = L_{ac} = -M_s - L_m \cos(\theta_r + \pi/6 + 2\pi/3)$$

$$\psi_{am} = \psi_m \cos \theta_e$$

$$\psi_{bm} = \psi_m \cos(\theta_e - 2\pi/3)$$

$$\psi_{cm} = \psi_m \cos(\theta_e + 2\pi/3)$$

Here, θ_e is the electrical angle, which is related to rotor angle θ_r by $\theta_e = N \cdot \theta_r$. The function assumes that the permanent magnet flux linking the A-phase winding is at the maximum for $\theta_e = 0$.

The function output F corresponds to ψ_a tabulated as a function of A-phase current, B-phase current, C-phase current, and rotor angle.

L_s , L_m , and M_s are related to input arguments L_d , L_q , and L_0 by:

$$L_s = \frac{L_0}{3} + \frac{L_d}{3} + \frac{L_q}{3}$$

$$M_s = \frac{L_d}{6} - \frac{L_0}{3} + \frac{L_q}{6}$$

$$L_m = \frac{L_d}{3} - \frac{L_q}{3}$$

Compatibility Considerations

elec_generateIdealPMSMfluxData will be removed

Not recommended starting in R2019a

The `elec_generateIdealPMSMfluxData` function will be removed in a future release. Use the `ee_generateIdealPMSMfluxData` function instead. The only difference between these functions is the function name. To prevent your code from generating an error when the function is removed, update to the new function name.

References

[1] Anderson, P.M. *Analysis of Faulted Power Systems*. 1st Edition. Wiley-IEEE Press, July 1995, p.187.

See Also

`ee_calculateFluxPartialDerivatives` | `ee_generateIdealPMSMfluxData`

Topics

“HEV PMSM Drive Test Harness”

“PMSM Iron Losses”

Introduced in R2017a

elec_getEfficiency

Calculate efficiency as function of dissipated power losses

Syntax

```
efficiency = elec_getEfficiency('loadIdentifier',node)
efficiency = elec_getEfficiency('loadIdentifier',...
node,startTime,endTime)
[efficiency,lossesTable] = elec_getEfficiency('loadIdentifier',node)
```

Description

`efficiency = elec_getEfficiency('loadIdentifier',node)` returns the efficiency of a circuit based on the data extracted from a Simscape logging node.

Before you call this function, you must have the simulation log variable in your current workspace. Create the simulation log variable by simulating the model with data logging turned on, or load a previously saved variable from a file. If `node` is the name of the simulation log variable, then the table contains the data for all semiconductor blocks in the model. If `node` is the name of a node in the simulation data tree, then the table contains the data only for the blocks within that node.

Checking efficiency allows you to determine if circuit components are operating within their requirements. All blocks in the Semiconductor Devices library, as well as some other blocks, have an internal variable called `power_dissipated`, which represents the instantaneous power dissipated by the block. This instantaneous dissipated power includes only the real power (not the reactive or apparent power) that the block dissipates. When you log simulation data, the time-value series for this variable represents the power dissipated by the block over time. You can view and plot this data using the Simscape Results Explorer. The `ee_getPowerLossTimeSeries` function also allows you to access this data.

The `elec_getEfficiency` function calculates the efficiency of the circuit based on the losses for blocks that have a `power_dissipated` variable and that you identify as a load block. The equation for efficiency is

$$Eff = 100 \cdot \frac{P_{load}}{P_{loss} + P_{load}}$$

where:

- Eff is the efficiency of the circuit.
- P_{load} is the output power, that is, the power dissipated by load blocks.
- P_{loss} is the power dissipated by nonload blocks.

This equation assumes that all loss mechanisms are captured by blocks containing at least one `power_dissipated` variable. If the model contains any lossy blocks that do not have this variable, the efficiency calculation gives incorrect results.

Some blocks have more than one `power_dissipated` variable, depending on their configuration. For example, the N-Channel MOSFET block has separate `power_dissipated` logging nodes for the

MOSFET, the gate resistor, and for the source and drain resistors if they have nonzero resistance values. The function sums all these losses to provide the total power loss for the block, averaged over simulation time. The function uses the loss data to calculate the efficiency of the circuit.

`efficiency = elec_getEfficiency('loadIdentifier',... node, startTime, endTime)` returns the efficiency of a circuit based on the `power_dissipated` data extracted from a Simscape logging node within a time interval. `startTime` and `endTime` represent the start and end of the time interval for calculating the efficiency. If you omit these two input arguments, the function calculates the efficiency over the whole simulation time.

`[efficiency, lossesTable] = elec_getEfficiency('loadIdentifier', node)` returns the efficiency of a circuit and the power loss contributions of the nonload blocks in a circuit based on the data extracted from a Simscape logging node.

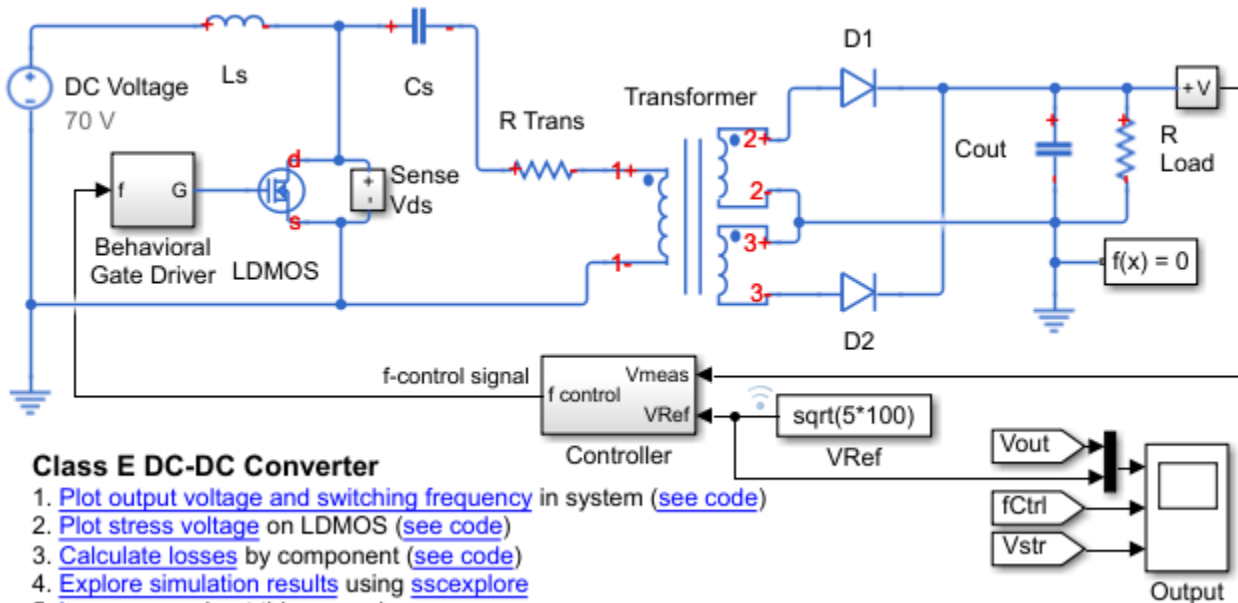
Examples

Calculate Efficiency for a Circuit

This example shows how to calculate efficiency based on the power dissipated by blocks in a circuit using the `elec_getEfficiency` function.

Open the model. At the MATLAB® command prompt, enter:

```
model = 'ee_converter_dcdc_class_e';
open_system(model)
```



The load in the model is represented by the R Load resistor. No other blocks with `power_dissipated` variables contain 'Load' in their names. Therefore, you can use the string 'Load' as the 'loadIdentifier' argument.

If no string at least partially matches the names of all load blocks in your circuit, rename the load blocks using a schema that satisfies the matching criteria for the 'loadIdentifier' argument.

This example model has data logging enabled. Run the simulation and create the simulation log variable.

```
sim(model)
```

The simulation log variable `simlog_ee_converter_dcdc_class_e` is saved in your current workspace.

Calculate efficiency and display the results.

```
efficiency = elec_getEfficiency('Load',simlog_ee_converter_dcdc_class_e)

efficiency =

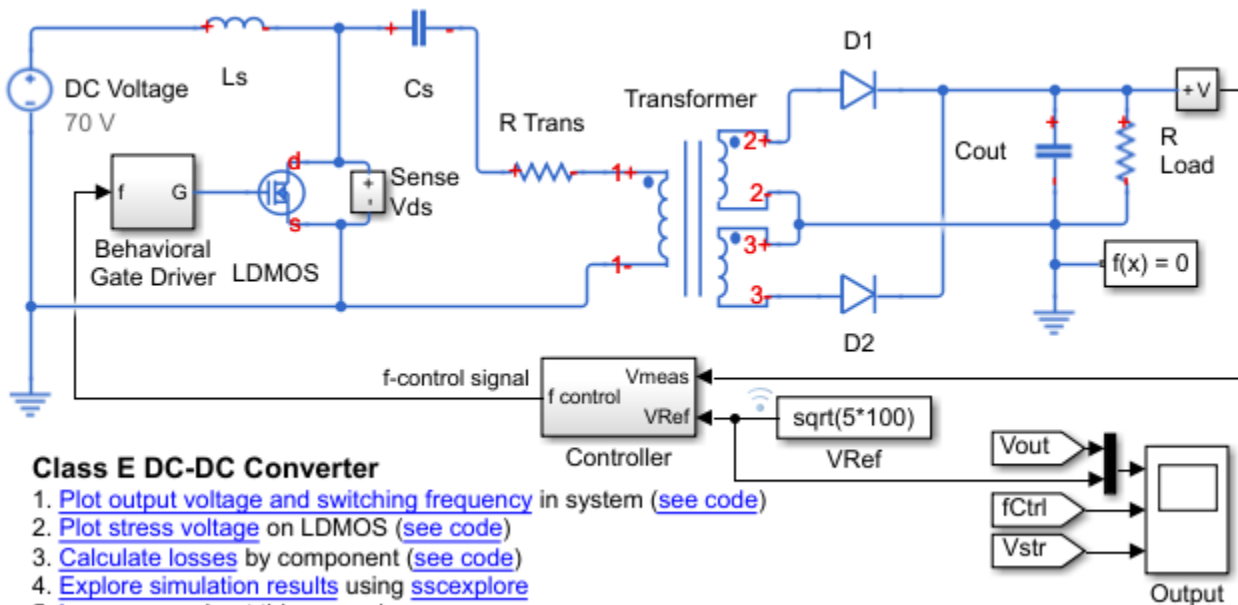
    90.0326
```

Calculate Efficiency of a Circuit for a Specific Time Period

This example shows how to calculate efficiency based on the power dissipated for a specific time period using the `elec_getEfficiency` function.

Open the model. At the MATLAB® command prompt, enter:

```
model = 'ee_converter_dcdc_class_e';
open_system(model)
```



The load in the model is represented by the R Load resistor. No other blocks with `power_dissipated` variables contain 'Load' in their names. Therefore, you can use the string 'Load' as the 'loadIdentifier' argument.

If no string at least partially matches the names of all load blocks in your circuit, rename the load blocks using a schema that satisfies the matching criteria for the 'loadIdentifier' argument.

This example model has data logging enabled. Run the simulation and create the simulation log variable.

```
sim(model)
```

The simulation log variable `simlog_ee_converter_dcdc_class_e` is saved in your current workspace.

The model simulation time (t) is $1.25e-4$ seconds. Calculate efficiency for the interval when t is between $1e-4$ and $1.25e-4$ seconds.

```
efficiency = elec_getEfficiency('Load',simlog_ee_converter_dcdc_class_e,1e-4,1.25e-4)
```

```
efficiency =
```

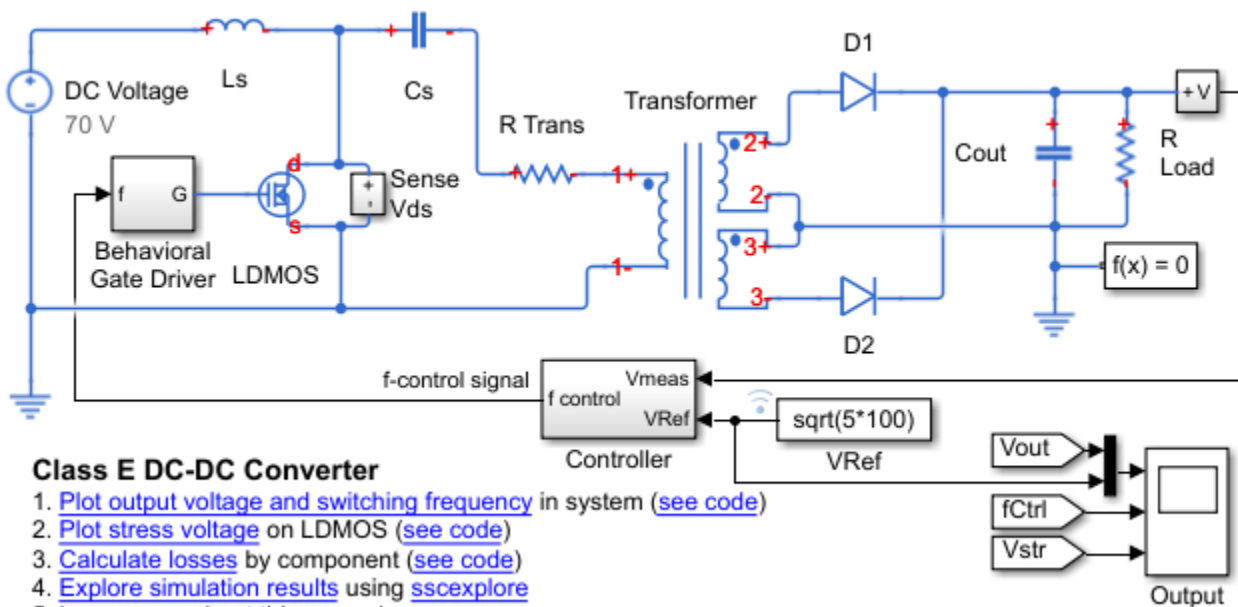
```
90.4899
```

Calculate Efficiency and Power-Loss Contributions

This example shows how using the `elec_getEfficiency` function allows you to calculate both the efficiency of the circuit and the power-loss contributions of the nonload blocks based on the power that they dissipate.

Open the model. At the MATLAB® command prompt, enter:

```
model = 'ee_converter_dcdc_class_e';
open_system(model)
```



The load in the model is represented by the R Load resistor. No other blocks with `power_dissipated` variables contain 'Load' in their names. Therefore, you can use the string 'Load' as the 'loadIdentifier' argument.

If no string at least partially matches the names of all load blocks in your circuit, rename the load blocks using a schema that satisfies the matching criteria for the 'loadIdentifier' argument.

This example model has data logging enabled. Run the simulation and create the simulation log variable.

```
sim(model)
```

The simulation log variable `simlog_ee_converter_dcdc_class_e` is saved in your current workspace.

Calculate the efficiency and power-loss contributions due to dissipated power.

```
[efficiency,lossesTable] = elec_getEfficiency('Load',simlog_ee_converter_dcdc_class_e)
```

```
efficiency =
```

```
90.0326
```

```
lossesTable =
```

```
7x2 table array
```

LoggingNode	Power
'ee_converter_dcdc_class_e.LDMOS'	3.6583
'ee_converter_dcdc_class_e.R_Trans.Resistor'	2.911
'ee_converter_dcdc_class_e.D2.diode'	1.9446
'ee_converter_dcdc_class_e.D1.diode'	1.837
'ee_converter_dcdc_class_e.Cs'	0.27391
'ee_converter_dcdc_class_e.Ls'	0.27097
'ee_converter_dcdc_class_e.Cout'	0.00044593

Input Arguments

'loadIdentifier' — Identify load blocks in the circuit

case-sensitive string

String that is a complete or partial match for the names of load blocks in the circuit. For example, consider a circuit that contains the four semiconductor blocks shown in the table.

Block Name in the Model	IGBT	IGBT1_Load	Diode	Diode1	
Block Type	N-Channel IGBT	N-Channel IGBT	Diode	Diode	
Block Role in the Model	Source	Load	Load	Load	
'loadIdentifier'	'IGBT'	Yes	Yes	No	No
	'Diode'	No	No	Yes	Yes

Block Name in the Model	IGBT	IGBT1_Load	Diode	Diode1
'Load'	No	Yes	No	No
'1'	No	Yes	No	Yes
'D'	No	No	Yes	Yes
'd'	No	Yes	Yes	Yes

The `elec_getEfficiency` function returns data just for the three load blocks only when the `'loadIdentifier'` is `'d'`.

A load-block naming schema that gives you better control over the output of the `elec_getEfficiency` function is shown in this table.

Block Name in the Model	IGBT	IGBT1_Load	Diode_Load	Diode1_Load	
Block Type	N-Channel IGBT	N-Channel IGBT	Diode	Diode	
Block Role in the Model	Source	Load	Load	Load	
'loadIdentifier'	'IGBT'	Yes	Yes	No	No
	'Diode'	No	No	Yes	Yes
	'Load'	No	Yes	Yes	Yes

Example: `'Load'`

Data Types: `string`

node — Simulation log variable, or a specific node within the simulation log variable

Node object

Simulation log workspace variable, or a node within this variable, that contains the logged model simulation data, specified as a Node object. You specify the name of the simulation log variable by using the **Workspace variable name** parameter on the **Simscape** pane of the Configuration Parameters dialog box. To specify a node within the simulation log variable, provide the complete path to that node through the simulation data tree, starting with the top-level variable name.

If `node` is the name of the simulation log variable, then the table contains the data for all blocks in the model that contain `power_dissipated` variables. If `node` is the name of a node in the simulation data tree, then the table contains the data only for:

- Blocks or variables within that node
- Blocks or variables within subnodes at all levels of the hierarchy beneath that node

Example: `simlog.Cell1.MOS1`

startTime — Start of the time interval for calculating the efficiency

0 (default) | real number

Start of the time interval for calculating the efficiency, specified as a real number, in seconds. `startTime` must be greater than or equal to the simulation **Start time** and less than `endTime`.

Data Types: `double`

endTime — End of the time interval for calculating the efficiency

simulation stop time (default) | real number

End of the time interval for calculating the efficiency, specified as a real number, in seconds. `endTime` must be greater than `startTime` and less than or equal to the simulation **Stop time**.

Data Types: `double`

Output Arguments

efficiency — Efficiency of the circuit

percentage

Efficiency of the circuit based on data extracted from a Simscape logging node.

lossesTable — Dissipated power for each nonload blocks

table

Dissipated power losses for each nonload block, returned as a table. The first column lists logging nodes for all blocks that have at least one `power_dissipated` variable. The second column lists the corresponding losses in watts.

Assumptions

- The output power equals the total power dissipated by blocks that you identify as load blocks.
- The input power equals the output power plus the total power dissipated by blocks that you do not identify as load blocks.
- The `power_dissipated` variables capture all loss contributions.

Compatibility Considerations

elec_getEfficiency will be removed*Not recommended starting in R2019a*

The `elec_getEfficiency` function will be removed in a future release. Use the `ee_getEfficiency` function instead. The only difference between these functions is the function name. To prevent your code from generating an error when the function is removed, update to the new function name.

See Also

`ee_getEfficiency` | `ee_getPowerLossSummary` | `ee_getPowerLossTimeSeries` | `sscexplore`

Topics

“About Simulation Data Logging”

“About the Simscape Results Explorer”

Introduced in R2017a

elec_getNodeDvDtSummary

Calculate maximum absolute values of terminal voltage time derivatives (dv/dt) based on logged simulation data

Syntax

```
summaryTable = elec_getNodeDvDtSummary(node,tau)
```

Description

`summaryTable = elec_getNodeDvDtSummary(node,tau)` calculates the maximum absolute values of rates-of-change of voltage variables for nodes that are based on the `foundation.electrical.electrical` domain, based on logged simulation data. The function returns the data for each terminal in a table. The data in the table appears in descending order according to the maximum magnitude of the rate-of-change of voltage variables with respect to the ground, over the whole simulation time. The table does not contain data for terminals that are held fixed.

Before you call this function, you must have the simulation log variable in your current workspace. Create the simulation log variable by simulating the model with data logging turned on, or load a previously saved variable from a file. If `node` is the name of the simulation log variable, then the table contains the data for all the blocks in the model that have nodes based on the `foundation.electrical.electrical` domain. If `node` is the name of a node in the simulation data tree, then the table contains the data only for the children of that node.

Examining rates-of-change of voltage variables in power electronics circuits is useful for determining the potential for unwanted conducted or radiated emissions. The rate-of-change data also helps you to identify switching devices that might be susceptible to parasitic turn-on. All nodes that are based on the `foundation.electrical.electrical` domain store the potential with respect to electrical ground as the variable `v`. When you log simulation data, the time-value series for this variable represents the trend of the potential over time. You can view and plot this data using the Simscape Results Explorer.

To evaluate the rates-of-change of voltage variables, the `elec_getNodeDvDtSummary` function employs finite difference approximation of the first derivative with respect to time. It performs 1-D data linear interpolation of voltage variables using a uniform grid with the time step, `tau`. The function then applies the central differencing scheme to the interpolated data.

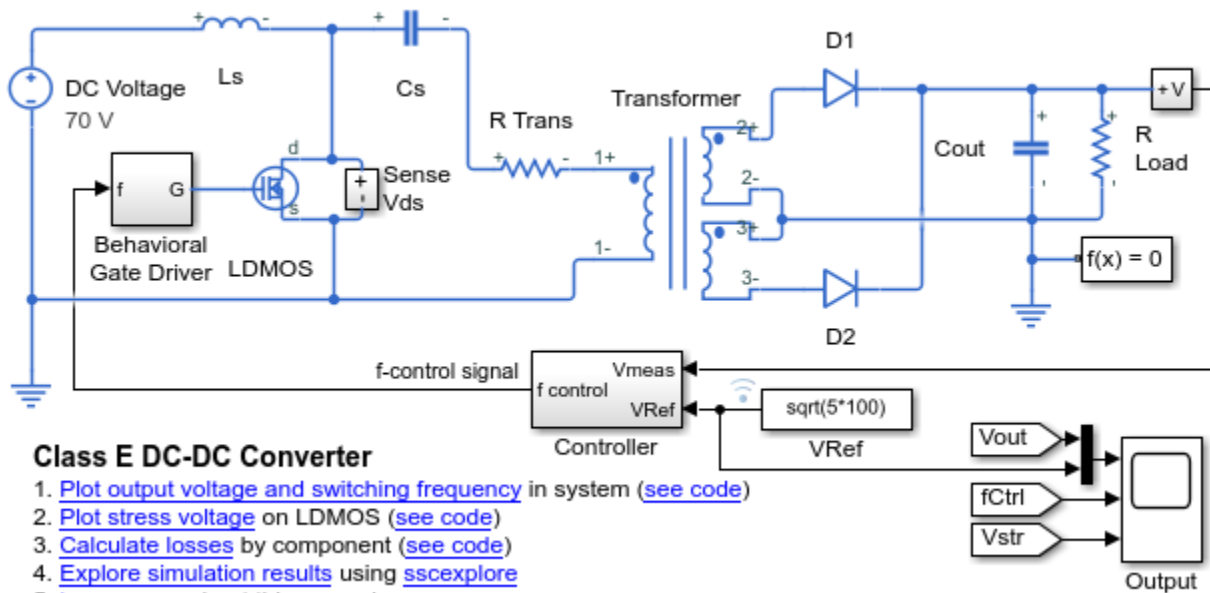
Tip For small time steps, finite differencing may lead to inaccurate results. The time step `tau` should be small enough to capture waveforms, but not so small that the finite differencing error becomes large. For example, for power transistors with an expected limit of 50 V/ns for their voltage rate-of-change, a reasonable guess for `tau` is 1e-9 s.

Examples

Calculate Maximum Voltage Derivatives by Block for the Whole Model

Open the Class E DC-DC Converter example model.

```
open_system('ee_converter_dcdc_class_e')
```



This example model has data logging enabled. Run the simulation to create the simulation log variable `simlog_ee_converter_dcdc_class_e` in your current workspace.

```
sim('ee_converter_dcdc_class_e');
```

Calculate the maximum absolute values of rates-of-change of voltage variables for the whole model with a time step of $1e-9$ seconds, and display the results in a table.

```
summaryTable = elec_getNodeDvDtSummary(simlog_ee_converter_dcdc_class_e,1e-9)
```

```
summaryTable =
```

```
19x3 table
```

LoggingNode	Terminal	max_abs_dvdt
"ee_converter_dcdc_class_e.R_Trans"	"n"	3.9473e+10
"ee_converter_dcdc_class_e.Transformer"	"p1"	3.9473e+10
"ee_converter_dcdc_class_e.Cs"	"n"	3.9457e+10
"ee_converter_dcdc_class_e.R_Trans"	"p"	3.9457e+10
"ee_converter_dcdc_class_e.Cs"	"p"	3.3499e+10
"ee_converter_dcdc_class_e.LDMOS"	"D"	3.3499e+10
"ee_converter_dcdc_class_e.Ls"	"n"	3.3499e+10
"ee_converter_dcdc_class_e.Sense_Vds.Voltage_Stress_Sensor"	"p"	3.3499e+10
"ee_converter_dcdc_class_e.D2"	"p"	6.5621e+09
"ee_converter_dcdc_class_e.Transformer"	"n3"	6.5621e+09
"ee_converter_dcdc_class_e.D1"	"p"	6.4827e+09
"ee_converter_dcdc_class_e.Transformer"	"p2"	6.4827e+09
"ee_converter_dcdc_class_e.Behavioral_Gate_Driver.Controlled_Voltage_Source"	"p"	1e+09
"ee_converter_dcdc_class_e.LDMOS"	"G"	1e+09
"ee_converter_dcdc_class_e.Cout"	"p"	3.0547e+06
"ee_converter_dcdc_class_e.D1"	"n"	3.0547e+06
"ee_converter_dcdc_class_e.D2"	"n"	3.0547e+06
"ee_converter_dcdc_class_e.R_Load"	"p"	3.0547e+06
"ee_converter_dcdc_class_e.Sense_Vout.Voltage_Sensor"	"p"	3.0547e+06

The table shows the maximum absolute values over the whole simulation time of voltage rates-of-change for all the blocks in the model that have nodes based on the `foundation.electrical.electrical` domain.

Input Arguments

node — Simulation log variable, or a specific node within the simulation log variable

Node object

Simulation log workspace variable, or a node within this variable, that contains the logged model simulation data, specified as a Node object. You specify the name of the simulation log variable by using the **Workspace variable name** parameter on the **Simscape** pane of the Configuration Parameters dialog box. To specify a node within the simulation log variable, provide the complete path to that node through the simulation data tree, starting with the top-level variable name.

Example: `simlog_ee_converter_dcdc_class_e.LDMOS`

tau — Time step for numerical differentiation

real number

Time step for numerical differentiation, specified as a real number, in seconds. `tau` determines the interpolation grid as `startTime:tau:endTime`.

Example: `1e-9`

Data Types: `double`

Output Arguments

summaryTable — Maximum absolute values of the voltage rates-of-change for each block

table

Maximum absolute values of the voltage rates-of-change for each block, returned as a table. The first column lists all the logging nodes in node that are based on the `foundation.electrical.electrical` domain. The second column lists the terminal names. The third column lists the corresponding maximum absolute values of voltage rates-of-change, in volts per second. The table does not contain data for terminals that are held fixed.

Compatibility Considerations

`elec_getNodeDvDtSummary` will be removed

Not recommended starting in R2019a

The `elec_getNodeDvDtSummary` function will be removed in a future release. Use the `ee_getNodeDvDtSummary` function instead. The only difference between these functions is the function name. To prevent your code from generating an error when the function is removed, update to the new function name.

See Also

`ee_getNodeDvDtSummary` | `ee_getNodeDvDtTimeSeries` | `sscexplore`

Topics

“About Simulation Data Logging”

“About the Simscape Results Explorer”

Introduced in R2018b

elec_getNodeDvDtTimeSeries

Calculate rates-of-change of voltage variables

Syntax

```
seriesTable = elec_getNodeDvDtTimeSeries(node,tau)
```

Description

`seriesTable = elec_getNodeDvDtTimeSeries(node,tau)` calculates rates-of-change of voltage variables for nodes that are based on the `foundation.electrical.electrical` domain, based on logged simulation data. The function returns the data for each terminal in a table. The data in the table appears in descending order according to the maximum absolute value of the rate-of-change of voltage variables with respect to the ground, over the whole simulation time. The table does not contain data for terminals that are held fixed.

Before you call this function, you must have the simulation log variable in your current workspace. Create the simulation log variable by simulating the model with data logging turned on, or load a previously saved variable from a file. If `node` is the name of the simulation log variable, then the table contains the data for all the blocks in the model that have nodes based on the `foundation.electrical.electrical` domain. If `node` is the name of a node in the simulation data tree, then the table contains the data only for the children of that node.

Examining rates-of-change of voltage variables in power electronics circuits is useful for determining the potential for unwanted conducted or radiated emissions. The rate-of-change data also helps you to identify unwanted turn-on of switching devices. All nodes that are based on the `foundation.electrical.electrical` domain store the potential with respect to electrical ground as the variable `v`. When you log simulation data, the time-value series for this variable represents the trend of the potential over time. You can view and plot this data using the Simscape Results Explorer.

To evaluate the rates-of-change of voltage variables, the `elec_getNodeDvDtTimeSeries` function employs finite difference approximation of the first derivative with respect to time. It performs 1-D data linear interpolation of voltage variables using a uniform grid with the time step, `tau`. The function then applies the central differencing scheme to the interpolated data.

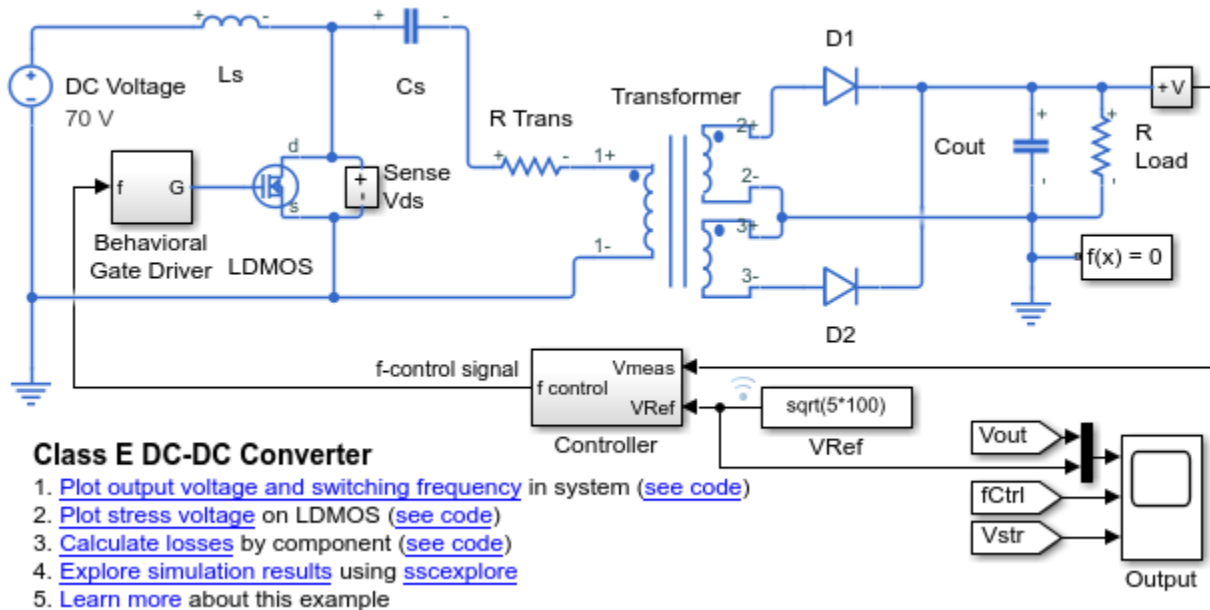
Tip For small time steps, finite differencing may lead to inaccurate results. The time step `tau` should be small enough to capture waveforms, but not so small that the finite differencing error becomes large. For example, for power transistors with an expected limit of 50 V/ns for their voltage rate-of-change, a reasonable guess for `tau` is 1e-9 s.

Examples

Calculate Voltage Derivatives by Block for the Whole Model

Open the Class E DC-DC Converter example model.

```
open_system('ee_converter_dcdc_class_e')
```



This example model has data logging enabled. Run the simulation to create the simulation log variable `simlog_ee_converter_dcdc_class_e` in your current workspace.

```
sim('ee_converter_dcdc_class_e');
```

Calculate rates-of-change of voltage variables for the whole model with a time step of $1e-9$ seconds, and return the time series data in a table.

```
seriesTable = elec_getNodeDvDtTimeSeries(simlog_ee_converter_dcdc_class_e,1e-9)
```

```
seriesTable =
```

```
19x4 table
```

LoggingNode	Terminal	Voltage	dvdt
"ee_converter_dcdc_class_e.R_Trans"	"n"	[1x125001 double]	[1x125001 double]
"ee_converter_dcdc_class_e.Transformer"	"p1"	[1x125001 double]	[1x125001 double]
"ee_converter_dcdc_class_e.Cs"	"n"	[1x125001 double]	[1x125001 double]
"ee_converter_dcdc_class_e.R_Trans"	"p"	[1x125001 double]	[1x125001 double]
"ee_converter_dcdc_class_e.Cs"	"p"	[1x125001 double]	[1x125001 double]
"ee_converter_dcdc_class_e.LDMOS"	"D"	[1x125001 double]	[1x125001 double]
"ee_converter_dcdc_class_e.Ls"	"n"	[1x125001 double]	[1x125001 double]
"ee_converter_dcdc_class_e.Sense_Vds.Voltage_Stress_Sensor"	"p"	[1x125001 double]	[1x125001 double]
"ee_converter_dcdc_class_e.D2"	"p"	[1x125001 double]	[1x125001 double]
"ee_converter_dcdc_class_e.Transformer"	"n3"	[1x125001 double]	[1x125001 double]
"ee_converter_dcdc_class_e.D1"	"p"	[1x125001 double]	[1x125001 double]
"ee_converter_dcdc_class_e.Transformer"	"p2"	[1x125001 double]	[1x125001 double]
"ee_converter_dcdc_class_e.Behavioral_Gate_Driver.Controlled_Voltage_Source"	"p"	[1x125001 double]	[1x125001 double]
"ee_converter_dcdc_class_e.LDMOS"	"G"	[1x125001 double]	[1x125001 double]
"ee_converter_dcdc_class_e.Cout"	"p"	[1x125001 double]	[1x125001 double]
"ee_converter_dcdc_class_e.D1"	"n"	[1x125001 double]	[1x125001 double]
"ee_converter_dcdc_class_e.D2"	"n"	[1x125001 double]	[1x125001 double]
"ee_converter_dcdc_class_e.R_Load"	"p"	[1x125001 double]	[1x125001 double]
"ee_converter_dcdc_class_e.Sense_Vout.Voltage_Sensor"	"p"	[1x125001 double]	[1x125001 double]

The table contains time series data of voltage variables and their first derivatives over the whole simulation time for all the blocks in the model that have nodes based on the `foundation.electrical.electrical` domain.

View the time series data. From the workspace, open the `seriesTable` table, then open the two `1x125001 double numeric arrays` for the `ee_converter_dcdc_class_e.LDMOS.D`.

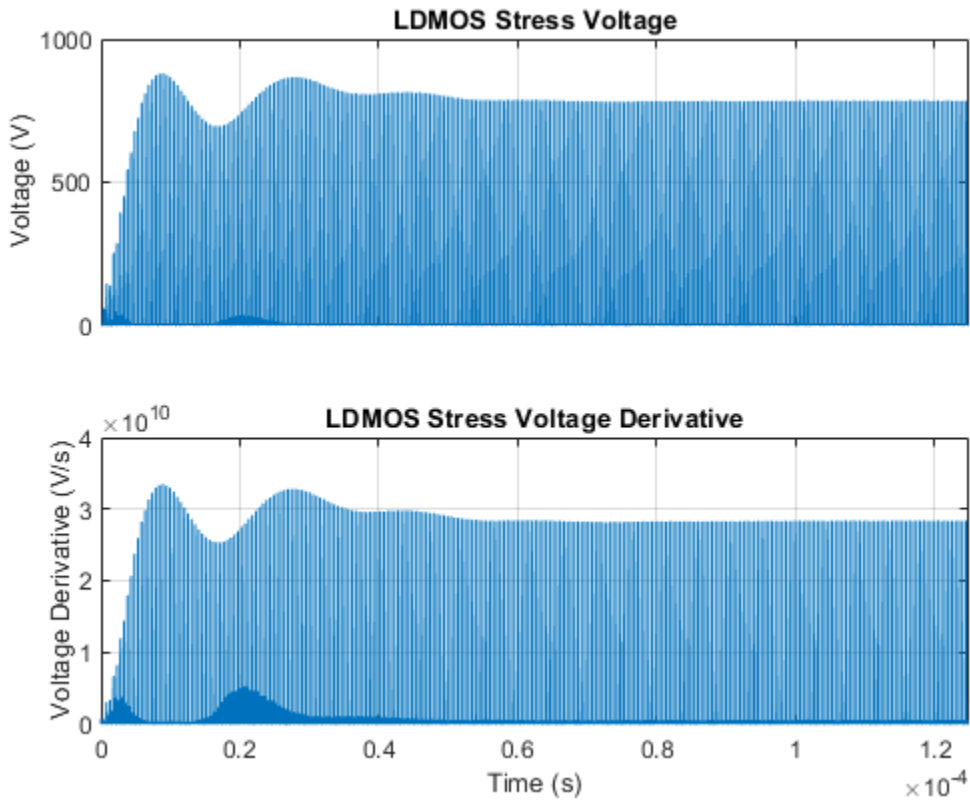
The first array contains the voltage data. The second array contains the voltage derivative data.

Plot the data.

```
time = 0:1e-9:1.25e-4;
v0ut = seriesTable.Voltage{6};
dvdt0ut = seriesTable.dvdt{6};

ax1 = subplot(2,1,1);
plot(time,v0ut),grid;
ylabel('Voltage (V)');
axis([0 1.25e-4 0 1000]);
ax1.XTickLabel = {};
ax1.Title.String = 'LDMOS Stress Voltage';

ax2 = subplot(2,1,2);
plot(time,dvdt0ut),grid;
ylabel('Voltage Derivative (V/s)');
xlabel('Time (s)');
axis([0 1.25e-4 0 4e10]);
ax2.Title.String = 'LDMOS Stress Voltage Derivative';
```



Input Arguments

node — Simulation log variable, or a specific node within the simulation log variable

Node object

Simulation log workspace variable, or a node within this variable, that contains the logged model simulation data, specified as a Node object. You specify the name of the simulation log variable by using the **Workspace variable name** parameter on the **Simscape** pane of the Configuration Parameters dialog box. To specify a node within the simulation log variable, provide the complete path to that node through the simulation data tree, starting with the top-level variable name.

Example: `simlog_ee_converter_dcdc_class_e.LDMOS`

tau — Time step for numerical differentiation

real number

Time step for numerical differentiation, specified as a real number, in seconds. `tau` determines the interpolation grid as `startTime:tau:endTime`.

Example: `1e-9`

Data Types: `double`

Output Arguments

seriesTable — Time series of the voltage rates-of-change for each block

table

Time series of the voltage rates-of-change for each block, returned as a table. The first column lists all the logging nodes in node that are based on the `foundation.electrical.electrical` domain. The second column lists the terminal names. The third column lists the corresponding interpolated voltage values, in volts. The fourth column lists the corresponding numerically differentiated values of voltage rates-of-change, in volts per second. The table does not contain data for terminals that are held fixed.

Compatibility Considerations

elec_getNodeDvDtTimeSeries will be removed

Not recommended starting in R2019a

The `elec_getNodeDvDtTimeSeries` function will be removed in a future release. Use the `ee_getNodeDvDtTimeSeries` function instead. The only difference between these functions is the function name. To prevent your code from generating an error when the function is removed, update to the new function name.

See Also

`ee_getNodeDvDtSummary` | `ee_getNodeDvDtTimeSeries` | `sscexplore`

Topics

“About Simulation Data Logging”

“About the Simscape Results Explorer”

Introduced in R2018b

elec_getPowerLossSummary

Calculate dissipated power losses

Syntax

```
lossesTable = elec_getPowerLossSummary(node)
```

Description

`lossesTable = elec_getPowerLossSummary(node)` calculates dissipated power losses for semiconductor blocks in a model, based on logged simulation data, and returns the data for each block in a table.

Before you call this function, you must have the simulation log variable in your current workspace. Create the simulation log variable by simulating the model with data logging turned on, or load a previously saved variable from a file. If `node` is the name of the simulation log variable, then the table contains the data for all semiconductor blocks in the model. If `node` is the name of a node in the simulation data tree, then the table contains the data only for the blocks within that node.

Checking dissipated power is useful for verifying that circuit components are operating within their working envelopes. All blocks in the Semiconductor Devices library, as well as some other blocks, have an internal variable called `power_dissipated`, which represents the instantaneous power dissipated by the block. When you log simulation data, the time-value series for this variable represents the power dissipated by the block over time. You can view and plot this data using the Simscape Results Explorer.

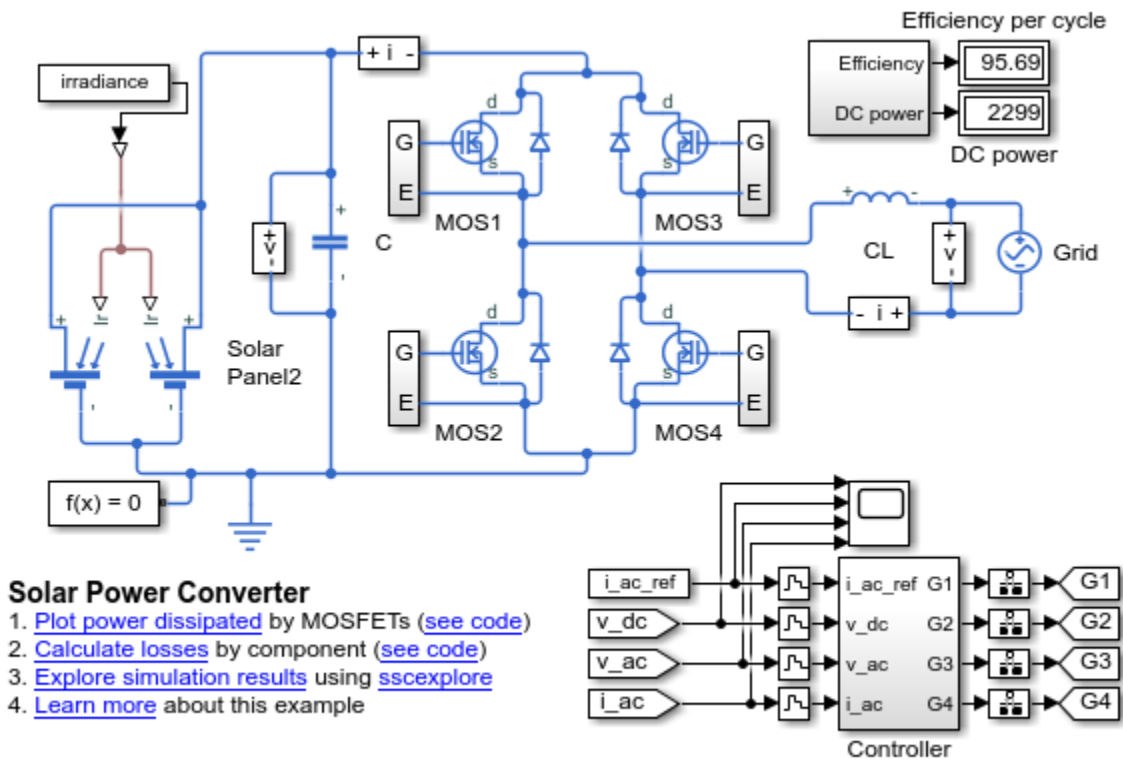
The `elec_getPowerLossSummary` function calculates average losses for each block that has a `power_dissipated` variable. Some blocks have more than one `power_dissipated` variable, depending on their configuration. For example, the N-Channel MOSFET block has separate `power_dissipated` logging nodes for the MOSFET, the gate resistor, and for the source and drain resistors if they have nonzero resistance values. The function sums all these losses and provides the power loss value for the whole block, averaged over simulation time.

Examples

Calculate Power Losses for One Block

Open the Solar Power Converter example model.

```
ee_solar_inverter
```



This example model has data logging enabled. Run the simulation to create the simulation log variable `simlog_ee_solar_inverter` in your current workspace.

```
sim('ee_solar_inverter');
```

Calculate power losses for the MOS1 block.

```
mosfetLosses = elec_getPowerLossSummary(simlog_ee_solar_inverter.MOS1)
```

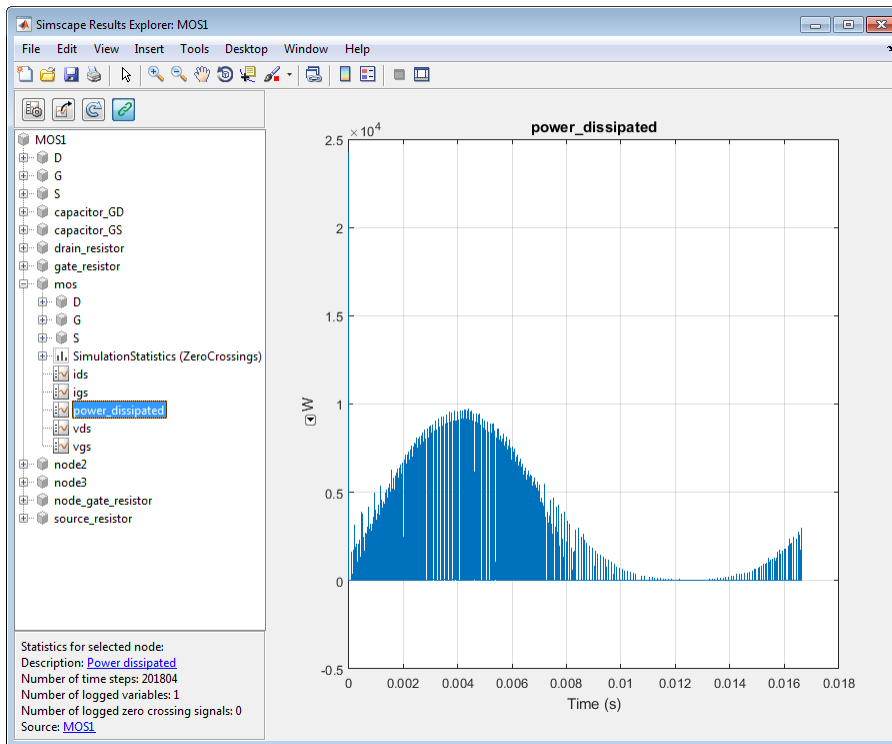
mosfetLosses =

LoggingNode	Power
'MOS1'	15.316

The table shows dissipated power losses for the MOS1 block, averaged over the whole simulation time.

Use the `sscxplore` function to further explore the power loss data for the MOSFET block.

```
sscxplore(simlog_ee_solar_inverter.MOS1)
```



The block has several `power_dissipated` logging nodes: under `drain_resistor`, under `gate_resistor`, under `mos`, and under `source_resistor`. The 15.316 value calculated by the `elec_getPowerLossSummary` function is a sum of all these losses, averaged over the simulation time.

Input Arguments

node — Simulation log variable, or a specific node within the simulation log variable

Node object

Simulation log workspace variable, or a node within this variable, that contains the logged model simulation data, specified as a Node object. You specify the name of the simulation log variable by using the **Workspace variable name** parameter on the **Simscape** pane of the Configuration Parameters dialog box. To specify a node within the simulation log variable, provide the complete path to that node through the simulation data tree, starting with the top-level variable name.

Example: `simlog.Cell1.MOS1`

Output Arguments

lossesTable — Dissipated power losses for each block

table

Dissipated power losses for each block, returned as a table. The first column lists logging nodes for all blocks that have at least one `power_dissipated` variable. The second column lists the corresponding losses in watts.

Compatibility Considerations

elec_getPowerLossSummary will be removed

Not recommended starting in R2019a

The `elec_getPowerLossSummary` function will be removed in a future release. Use the `ee_getPowerLossSummary` function instead. The only difference between these functions is the function name. To prevent your code from generating an error when the function is removed, update to the new function name.

See Also

`ee_getEfficiency` | `ee_getPowerLossSummary` | `ee_getPowerLossTimeSeries` | `sscexplore`

Topics

“About Simulation Data Logging”

“About the Simscape Results Explorer”

Introduced in R2015a

elec_getPowerLossTimeSeries

Calculate dissipated power losses and return time series data

Syntax

```
lossesCell = elec_getPowerLossTimeSeries(node)
lossesCell = elec_getPowerLossTimeSeries(node,startTime,endTime)
lossesCell = elec_getPowerLossTimeSeries(node,startTime,...
endTime,intervalWidth)
```

Description

`lossesCell = elec_getPowerLossTimeSeries(node)` calculates dissipated power losses for blocks in a model, based on logged simulation data, and returns the time series data for each block.

Before you call this function, you must have the simulation log variable in your current workspace. Create the simulation log variable by simulating the model with data logging turned on, or load a previously saved variable from a file.

The `elec_getPowerLossTimeSeries` function calculates dissipated power losses for each block that has a `power_dissipated` variable. All blocks in the Semiconductor Devices library, as well as some other blocks, have an internal variable called `power_dissipated`, which represents the instantaneous power dissipated by the block. Some blocks have more than one `power_dissipated` variable, depending on their configuration. For example, the N-Channel MOSFET block has separate `power_dissipated` logging nodes for the MOSFET, the gate resistor, and for the source and drain resistors if they have nonzero resistance values. The function sums all these losses and provides the power loss value for all of the blocks as functions of time.

If `node` is the name of the simulation log variable, then the table contains the data for all the blocks in the model that dissipate power (that is, contain at least one `power_dissipated` variable). If `node` is the name of a node in the simulation data tree, then the table contains the data only for the blocks within that node.

`lossesCell = elec_getPowerLossTimeSeries(node,startTime,endTime)` calculates dissipated power losses and returns the time series data for time steps from `startTime` to `endTime`. If `startTime` is equal to `endTime`, the interval is effectively zero and the function returns the instantaneous power for the time step that occurs at that moment. If you omit these two input arguments, the function returns data over the whole simulation time.

`lossesCell = elec_getPowerLossTimeSeries(node,startTime,... endTime,intervalWidth)` calculates dissipated power losses and returns the time series data for time steps from `startTime` to `endTime`, averaged over the time `intervalWidth`. If you omit the `intervalWidth`, or set it to 0, the function returns the instantaneous data, without averaging. If you omit all three optional arguments, the function returns the instantaneous data over the whole simulation time.

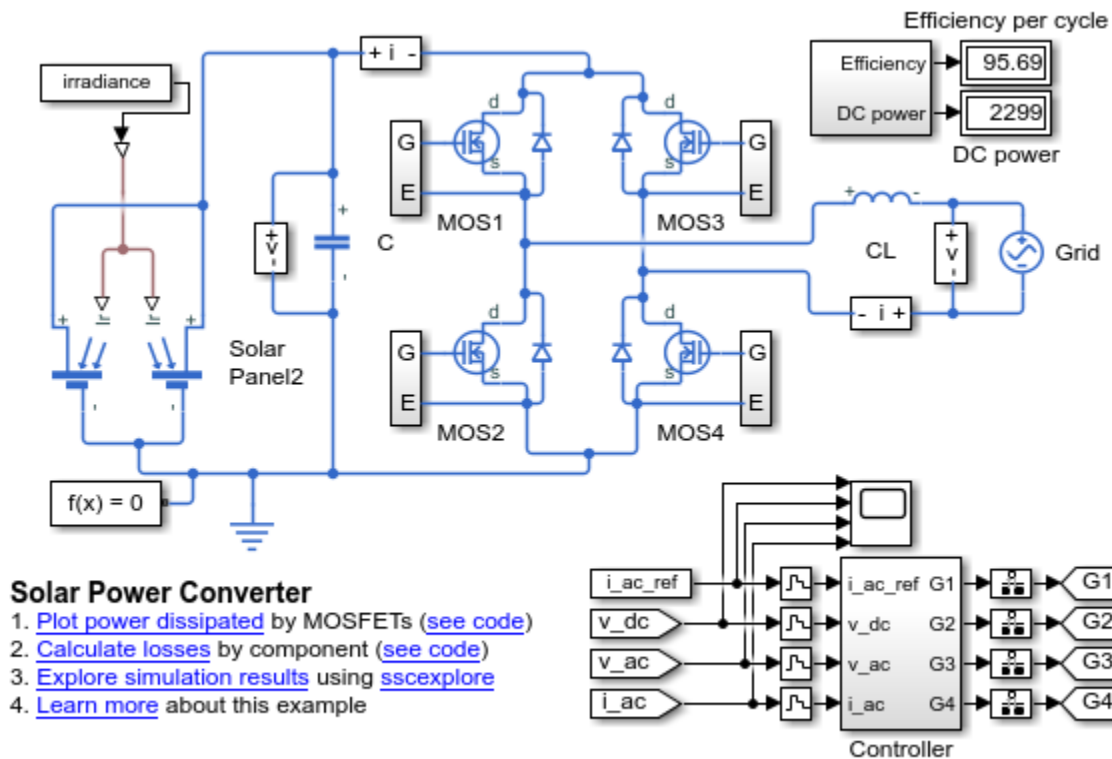
Examples

Calculate Dissipated Power Losses for the Entire Simulation Time

This example shows how to calculate instantaneous losses based on the power dissipated and return the time series data for all time steps in the entire simulation time using the `elec_getPowerLossTimeSeries` function.

Open the model. At the MATLAB® command prompt, enter:

```
model = 'ee_solar_inverter';
open_system(model)
```



This example model has data logging enabled. Run the simulation and create the simulation log variable.

```
sim(model)
```

The simulation log variable `simlog_ee_solar_inverter` is saved in your current workspace.

Calculate dissipated power losses and return the time series data in cell array.

```
lossesCell = elec_getPowerLossTimeSeries(simlog_ee_solar_inverter)
```

```
lossesCell =
```

```
8×2 cell array
```

```
'ee_solar_inverter.Diode1.diode' [201804×3 double]
```



```

'ee_solar_inverter.MOS1'      [201804x3 double]
'ee_solar_inverter.MOS2'      [201804x3 double]
'ee_solar_inverter.MOS3'      [201804x3 double]
'ee_solar_inverter.MOS4'      [201804x3 double]
'ee_solar_inverter.Diode2.diode' [201804x3 double]
'ee_solar_inverter.Diode3.diode' [201804x3 double]
'ee_solar_inverter.Diode4.diode' [201804x3 double]

```

View the time series data. From the workspace, open the `lossesCell` cell array, then open the `201804x3 double` numeric array for the `ee_solar_inverter.Diode1.diode`.

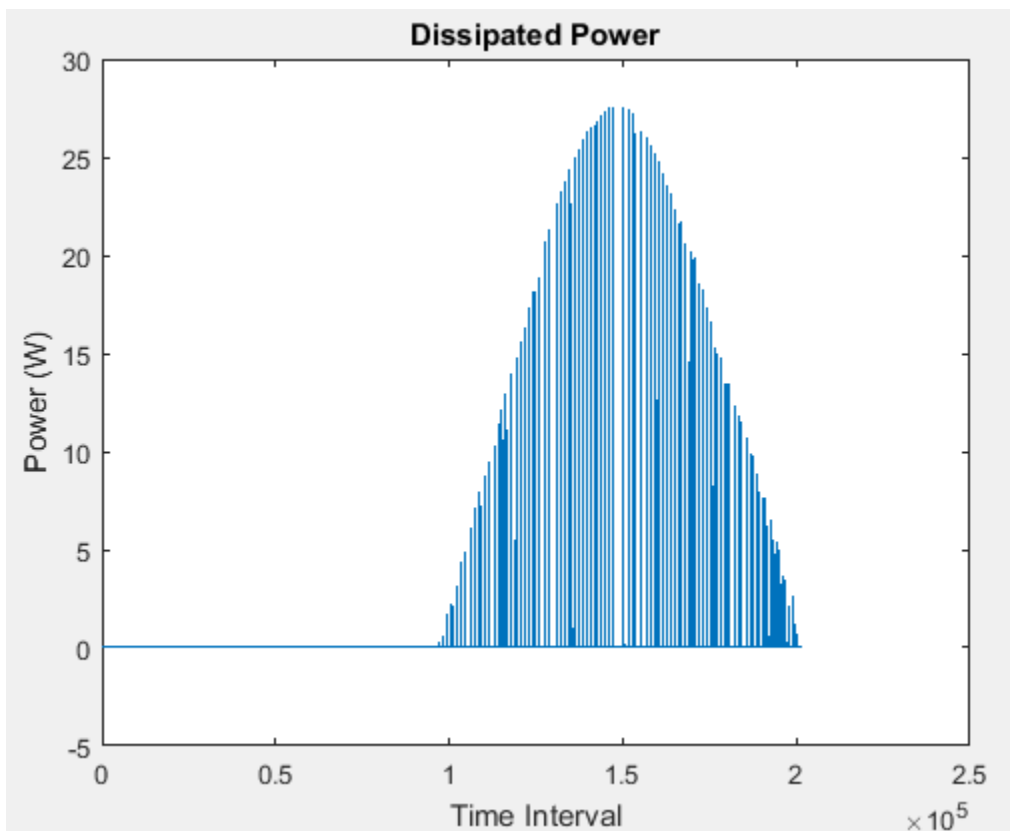
The first two columns contain the interval start and end time. The third column contains the power loss data.

Plot the data.

```

plot(lossesCell{1, 2}(:,end))
title('Dissipated Power')
xlabel('Time Interval')
ylabel('Power (W)')

```

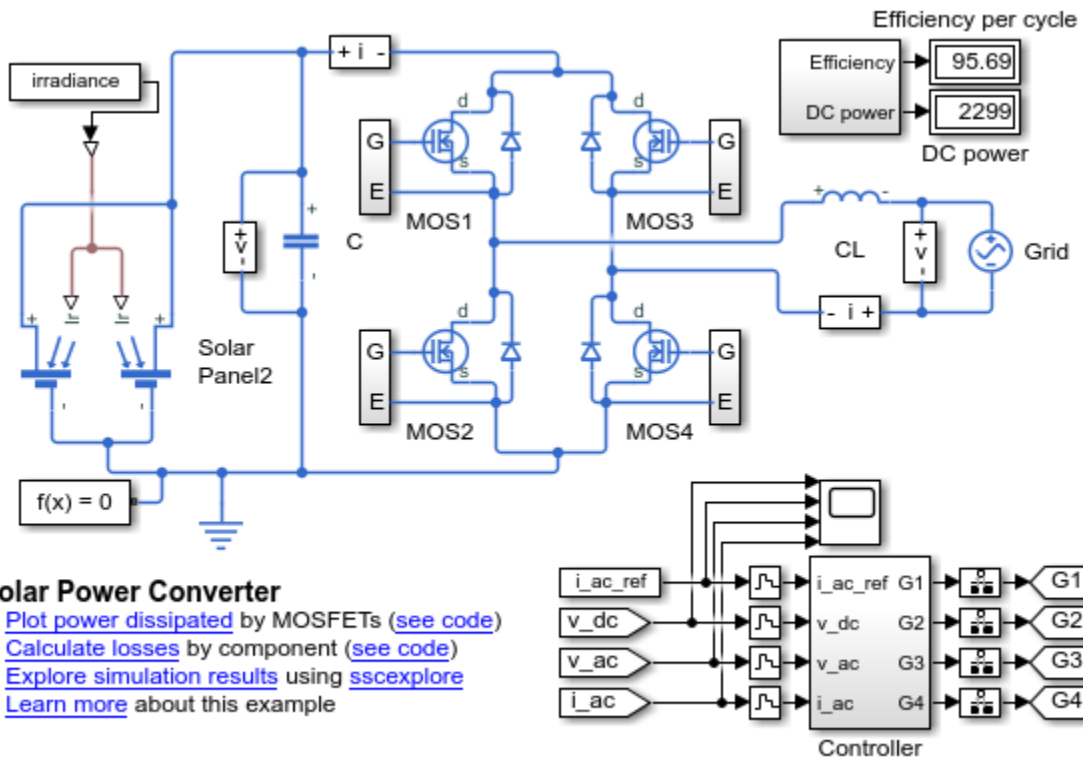


Calculate Dissipated Power Losses for a Specific Time Period

This example shows how to calculate instantaneous losses based on the power dissipated and return the time series data for all time steps in a specific time period using the `elec_getPowerLossTimeSeries` function.

Open the model. At the MATLAB® command prompt, enter:

```
model = 'ee_solar_inverter';
open_system(model)
```



Solar Power Converter

1. [Plot power dissipated](#) by MOSFETs ([see code](#))
2. [Calculate losses](#) by component ([see code](#))
3. [Explore simulation results](#) using [sscxplore](#)
4. [Learn more](#) about this example

This example model has data logging enabled. Run the simulation and create the simulation log variable.

```
sim(model)
```

The simulation log variable `simlog_ee_solar_inverter` is saved in your current workspace.

The model simulation time (t) is 1/60 seconds. Calculate dissipated power losses and return the time series data in cell array for the second half of the simulation cycle, when t is between 1/120 and 1/60 seconds..

```
lossesCell = elec_getPowerLossTimeSeries(simlog_ee_solar_inverter,1/120,1/60)
```

```
lossesCell =
```

8x2 cell array

```
'ee_solar_inverter.Diode1.diode' [105197x3 double]
'ee_solar_inverter.MOS1' [105197x3 double]
'ee_solar_inverter.MOS2' [105197x3 double]
'ee_solar_inverter.MOS3' [105197x3 double]
'ee_solar_inverter.MOS4' [105197x3 double]
'ee_solar_inverter.Diode2.diode' [105197x3 double]
```

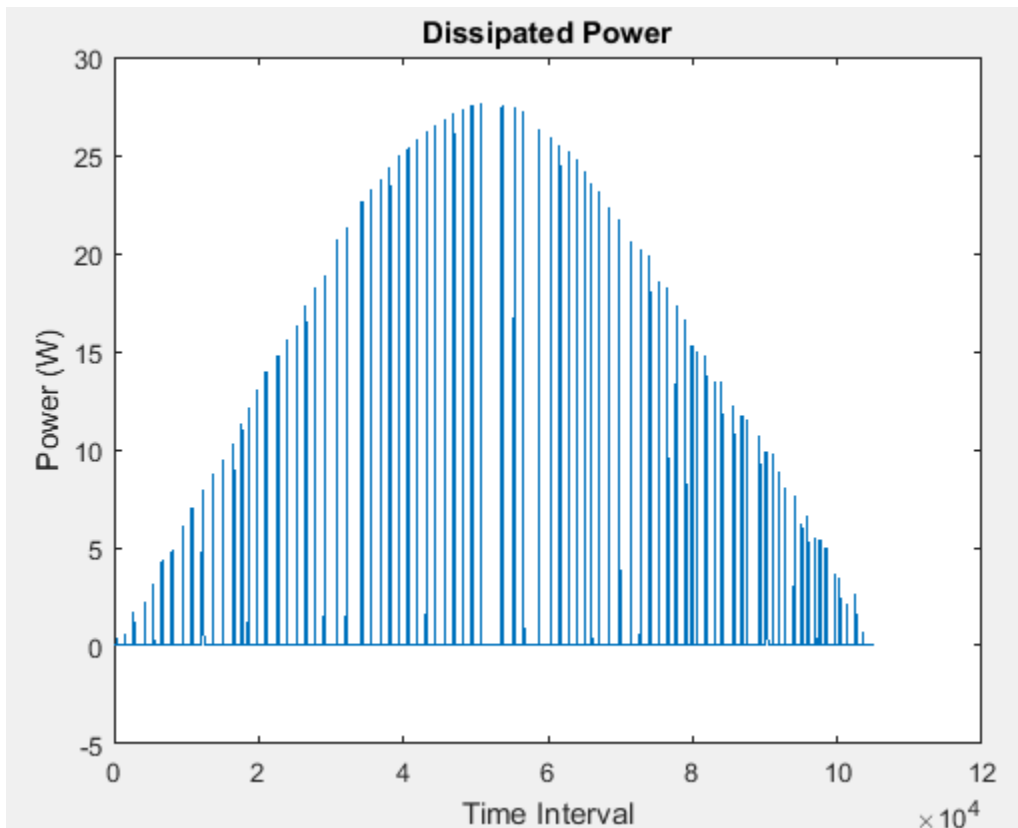
```
'ee_solar_inverter.Diode3.diode' [105197x3 double]
'ee_solar_inverter.Diode4.diode' [105197x3 double]
```

View the time series data. From the workspace, open the `lossesCell` cell array, then open the `105197x3 double` numeric array for the `ee_solar_inverter.Diode1.diode`.

The first two columns contain the interval start and end time. The third column contains the power loss data.

Plot the data.

```
plot(lossesCell{1, 2}(:,end))
title('Dissipated Power')
xlabel('Time Interval')
ylabel('Power (W)')
```

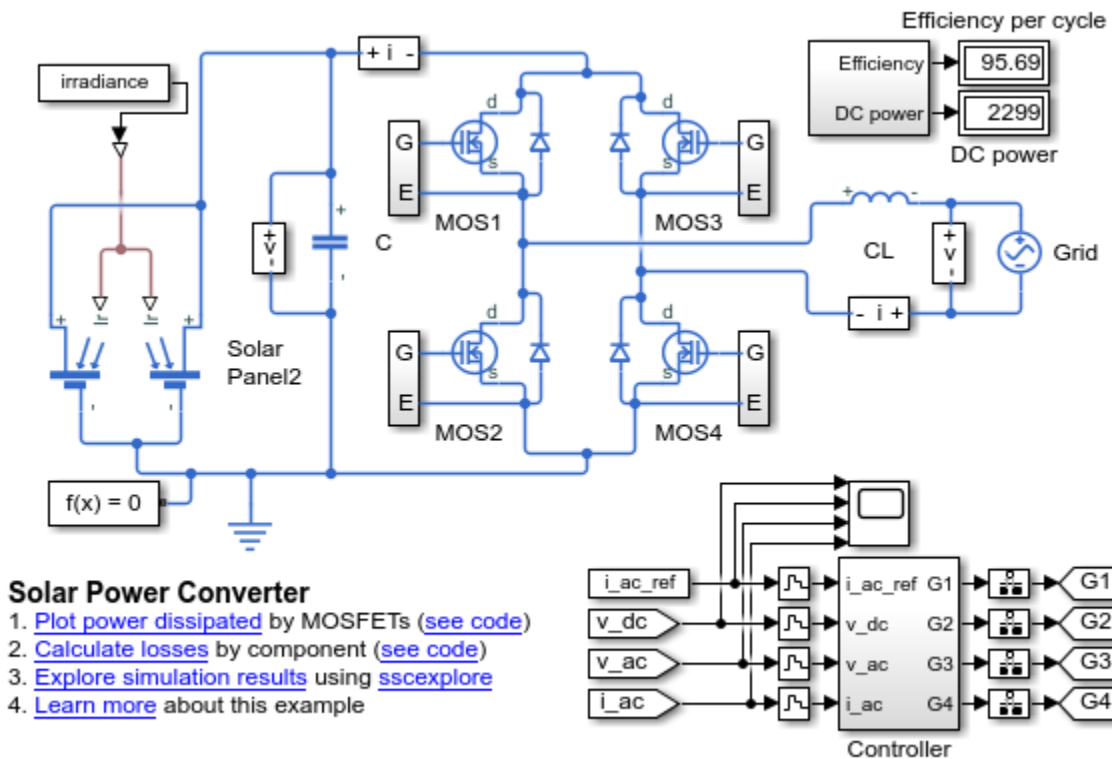


Calculate Dissipated Power Losses Using Specific Interval Widths

This example shows how to calculate losses based on the power dissipated and return the time series data for a specific time period with averaging applied over intervals of a specified width.

Open the model. At the MATLAB® command prompt, enter:

```
model = 'ee_solar_inverter';
open_system(model)
```



This example model has data logging enabled. Run the simulation and create the simulation log variable.

```
sim(model)
```

The simulation log variable `simlog_ee_solar_inverter` is saved in your current workspace.

The model simulation time (t) is 1/60 seconds. Calculate the average dissipated power losses for 1.1e-4 s intervals and return the time series data in cell array for the period when simulation time, t , is 0.008-0.017 seconds.

```
lossesCell = elec_getPowerLossTimeSeries(simlog_ee_solar_inverter,0.008,0.016,1.1e-4)
```

```
lossesCell =
```

8x2 cell array

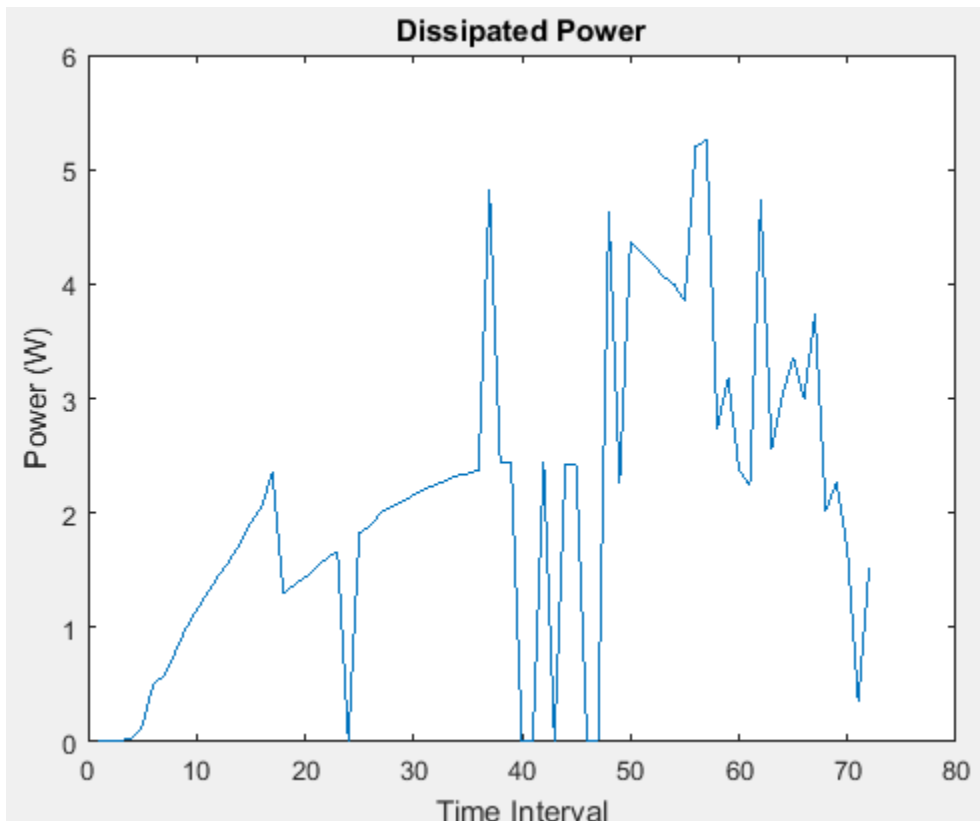
```
'ee_solar_inverter.Diode1.diode' [72x3 double]
'ee_solar_inverter.MOS1' [72x3 double]
'ee_solar_inverter.MOS2' [72x3 double]
'ee_solar_inverter.MOS3' [72x3 double]
'ee_solar_inverter.MOS4' [72x3 double]
'ee_solar_inverter.Diode2.diode' [72x3 double]
'ee_solar_inverter.Diode3.diode' [72x3 double]
'ee_solar_inverter.Diode4.diode' [72x3 double]
```

View the time series data. From the workspace, open the `lossesCell` cell array, then open the 105197x3 double numeric array for the `ee_solar_inverter.Diode1.diode`.

The first two columns contain the interval start and end time. The third column contains the power loss data. In this case, to use averaging intervals that are equal in width to 1.1×10^{-4} seconds, the function adjusts the start time for the first interval from the specified value of 0.008 seconds to a value of 0.0081 seconds. There are 72 intervals of 1.1×10^{-4} seconds.

Plot the data.

```
plot(lossesCell{1, 2}(:,end))
title('Dissipated Power')
xlabel('Time Interval')
ylabel('Power (W)')
```



Input Arguments

node — Simulation log variable, or a specific node within the simulation log variable

Node object

Simulation log workspace variable, or a node within this variable, that contains the logged model simulation data, specified as a Node object. You specify the name of the simulation log variable by using the **Workspace variable name** parameter on the **Simscape** pane of the Configuration Parameters dialog box. To specify a node within the simulation log variable, provide the complete path to that node through the simulation data tree, starting with the top-level variable name.

If **node** is the name of the simulation log variable, then the table contains the data for all blocks in the model that contain `power_dissipated` variables. If **node** is the name of a node in the simulation data tree, then the table contains the data only for:

- Blocks or variables within that node
- Blocks or variables within subnodes at all levels of the hierarchy beneath that node

Example: `simlog.Cell1.MOS1`

startTime — **Start of the time interval for calculating the data**

0 (default) | real number

Start of the time interval for calculating the power loss time series, specified as a real number, in seconds. `startTime` must be greater than or equal to the simulation **Start time** and less than `endTime`.

Data Types: double

endTime — **End of the time interval for calculating the data**

simulation stop time (default) | real number

End of the time interval for calculating the power loss time series, specified as a real number, in seconds. `endTime` must be greater than `startTime` and less than or equal to the simulation **Stop time**.

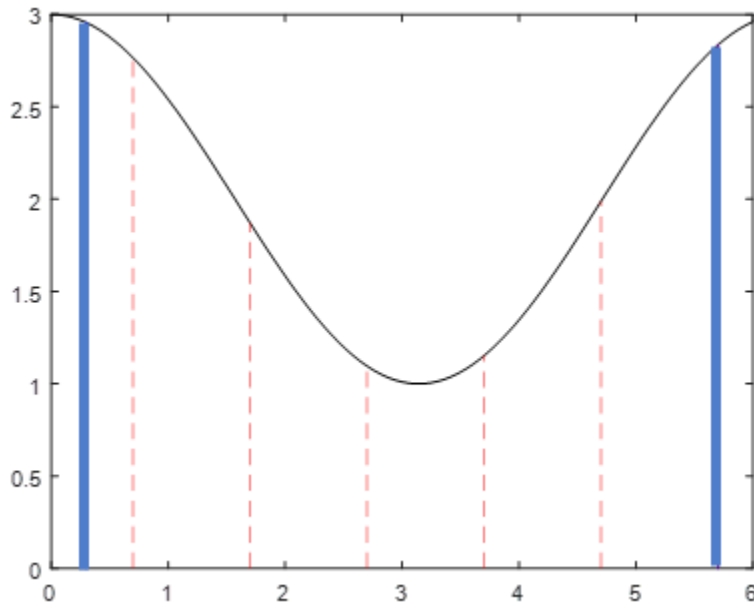
Data Types: double

intervalWidth — **Size of the time interval for calculating the average power dissipation**

0 (default) | real number

Size of the time interval for calculating the average power dissipation, specified as a real number, in seconds. If specified, the function returns data for time steps from `startTime` to `endTime`, averaged over the `intervalWidth`. If you omit the `intervalWidth` argument, or set it to 0, the function returns the instantaneous data, without averaging. If all the optional arguments are omitted, the function returns the instantaneous data over the whole simulation time.

If the time between the specified `startTime` and `endTime` is not an integer multiple of `intervalWidth`, the function adjusts the start time. The figure shows how the function adjusts the start time to ensure that width of each time interval that the dissipated power is averaged over is equal to the specified `intervalWidth`.



The black line is an example of the instantaneous *power_dissipated* variables summed over all elements in an individual block. The simulation runs for 6 seconds. The `startTime` and `endTime` are indicated by the solid blue lines. The `intervalWidth` is set to 1 second. There are five intervals as indicated by the red dashed lines. The right-most edge of the last interval coincides with `endTime`. The left-most edge of the first interval is always greater than or equal to `startTime`. The edge is equal to `startTime` only if $(\text{endTime} - \text{startTime}) / \text{intervalWidth}$ is an integer. The output in this case consists of five values for the averaged power dissipation, one point for each time period. The function outputs the actual start and stop times in the tabulated output data.

Example: $1.1\text{e-}3$

Data Types: `double`

Output Arguments

lossesCell — Time series of the dissipated power losses for each block

cell array

Cell array that contains the names of the blocks in the nodes that contain *power_dissipated* variables and, for each block, a three-column array:

- Column one contains the interval start time.
- Column two contains the interval end time.
- Column three contains the dissipated power for the time interval.

If the interval width is 0 seconds, that is, the start time is equal to the end time, then the dissipated power is the instantaneous power loss. If the interval is greater than 0 seconds, the dissipated power is the average power loss for the time of the interval.

Compatibility Considerations

elec_getPowerLossTimeSeries will be removed

Not recommended starting in R2019a

The `elec_getPowerLossTimeSeries` function will be removed in a future release. Use the `ee_getPowerLossTimeSeries` function instead. The only difference between these functions is the function name. To prevent your code from generating an error when the function is removed, update to the new function name.

See Also

[ee_getEfficiency](#) | [ee_getPowerLossSummary](#) | [ee_getPowerLossTimeSeries](#) | [sscexplore](#)

Topics

[“About Simulation Data Logging”](#)

[“About the Simscape Results Explorer”](#)

Introduced in R2017a

pe_calculateThdPercent

Compute the total harmonic distortion (THD) percentage

Syntax

```
[thdPercent] = pe_calculateThdPercent(harmonicOrder,...  
harmonicMagnitude)
```

Description

[thdPercent] = pe_calculateThdPercent(harmonicOrder,...
harmonicMagnitude) calculates the total harmonic distortion (THD) percentage using these equations:

$$M = \frac{\text{harmonic magnitude}}{\sqrt{2}},$$

and

$$\%THD = 100 \frac{\sqrt{\sum_{i=2}^n M_i^2}}{M_1},$$

where:

- M_i is the root mean square (RMS) value of the harmonic magnitude corresponding to the i^{th} harmonic order.
- M is V_{RMS} or I_{RMS} as required.

You can use the ee_getHarmonics function to obtain the vectors of harmonic order and harmonic magnitude for a simscape_logging.Node.

Examples

Calculate THD percent

Calculate the THD from harmonic orders [1;5;7;11;13] and harmonic magnitudes [1.1756e+03;0.0437e+03;0.0221e+03;0.0173e+03;0.0127e+03].

```
harmonicOrder = [1;5;7;11;13];  
harmonicMagnitude = [1.1756e+03;0.0437e+03;0.0221e+03;0.0173e+03;...  
0.0127e+03];  
thdPercent = pe_calculateThdPercent( harmonicOrder, harmonicMagnitude )  
  
thdPercent = 4.5480
```

Input Arguments

harmonicOrder — Harmonic orders

vector

Harmonic orders from 0 up to and including number of harmonics, specified as a vector.

Example: [1;5;7;11;13]

Data Types: single | double | int8 | int16 | int32 | int64 | uint8 | uint16 | uint32 | uint64

harmonicMagnitude — Harmonic magnitudes

vector

Harmonic magnitudes from the 0th harmonic up to and including the number of harmonics included in the analysis, specified as a vector.

Example: [1.1756e+03;0.0437e+03;0.0221e+03;0.0173e+03;0.0127e+03]

Data Types: single | double | int8 | int16 | int32 | int64 | uint8 | uint16 | uint32 | uint64

Compatibility Considerations

pe_calculateThdPercent will be removed

Not recommended starting in R2019a

The `pe_calculateThdPercent` function will be removed in a future release. Use the `ee_calculateThdPercent` function instead. The only difference between these functions is the function name. To prevent your code from generating an error when the function is removed, update to the new function name.

See Also

Blocks

Spectrum Analyzer

Functions

`ee_calculateThdPercent` | `ee_getHarmonics` | `ee_plotHarmonics` | `sscexplore`

Objects

`simscape.logging.Node`

Topics

“Perform an Online Harmonic Analysis Using the Simscape Spectrum Analyzer Block”

“Choose a Simscape Electrical Function for an Offline Harmonic Analysis”

“Data Logging”

“Harmonic Analysis of a Three-Phase Rectifier”

Introduced in R2014a

pe_getEfficiency

Calculate efficiency as a function of dissipated power losses

Syntax

```
efficiency = pe_getEfficiency('loadIdentifier',node)
efficiency = pe_getEfficiency('loadIdentifier',node,...
startTime,endTime)
[efficiency,lossesTable] = pe_getEfficiency('loadIdentifier',node)
```

Description

`efficiency = pe_getEfficiency('loadIdentifier',node)` returns the efficiency of a circuit based on the data extracted from a Simscape logging node.

Before you call this function, generate or load the simulation log variable to your workspace. To generate the variable, simulate the model with simulation data logging enabled. For more information, see “About Simulation Data Logging”. To load a previously saved variable from a file, right-click on the file and select **Load**.

Checking efficiency allows you to determine if circuit components are operating within their requirements. Blocks in the Semiconductor > Fundamental Components library and the Delta-Connected Load, Wye-Connected Load, and RLC (Three-Phase) blocks have an internal block variable called *power_dissipated*. This variable represents the instantaneous dissipated power, which includes only the real power (not the reactive or apparent power) that the block dissipates. When you log simulation data, the time-value series for this variable represents the power dissipated by the block over time. You can view and plot this data using the Simscape Results Explorer. The `ee_getPowerLossTimeSeries` function also allows you to access this data.

The `pe_getEfficiency` function calculates the efficiency of the circuit based on the losses for blocks that have a *power_dissipated* variable and that you identify as a load block. The equation for efficiency is

$$Eff = 100 * \frac{P_{load}}{P_{loss} + P_{load}}$$

where:

- *Eff* is the efficiency of the circuit.
- P_{load} is the output power, that is, the power dissipated by load blocks.
- P_{loss} is the power dissipated by nonload blocks.

This equation assumes that all loss mechanisms are captured by blocks containing at least one *power_dissipated* variable. If the model contains any lossy blocks that do not have this variable, the efficiency calculation gives incorrect results.

Some blocks have more than one *power_dissipated* variable, depending on their configuration. For example, for the MOSFET (Ideal, Switching) block, both the `diode` node and the `ideal_switch` node have a *power_dissipated* logging node. The function sums the power losses for both nodes to

provide the total power loss for the block, averaged over simulation time. The function uses the loss data to calculate the efficiency of the circuit.

The nonideal semiconductor blocks also have thermal variants. Thermal variants have thermal ports that allow you to model the heat that is generated due to switching events and conduction losses. If you use a thermal variant, the function calculates power losses and efficiencies based on the thermal parameters that you specify. Essentially, the power dissipated is equal to the heat generated.

If you use a variant without a thermal port, the function calculates power losses and efficiencies based on the electrical parameters that you specify, such as on-state resistance and off-state conductance.

`efficiency = pe_getEfficiency('loadIdentifier',node,...
startTime,endTime)` returns the efficiency of a circuit based on the *power_dissipated* data extracted from a Simscape logging node within a time interval. `startTime` and `endTime` represent the start and end of the time interval for calculating the efficiency. If you omit these two input arguments, the function calculates the efficiency over the whole simulation time.

`[efficiency,lossesTable] = pe_getEfficiency('loadIdentifier',node)` returns the efficiency of a circuit and the power loss contributions of the nonload blocks in a circuit based on the data extracted from a Simscape logging node.

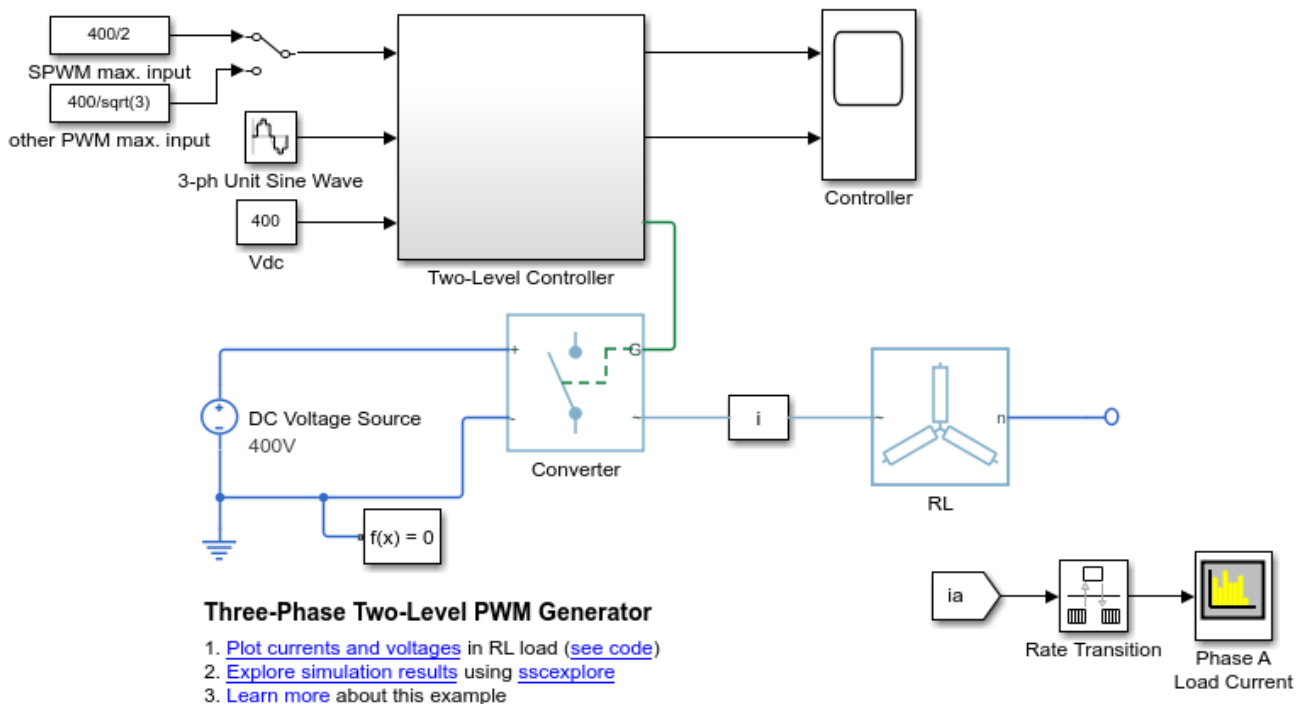
Examples

Calculate Efficiency for a Circuit

This example shows how to calculate efficiency based on the power dissipated by blocks in a circuit using the `pe_getEfficiency` function. Data logging is enabled locally, and the option to limit data points is off.

Open the model. At the MATLAB® command prompt, enter:

```
model = 'ee_pwm_two_level';  
open_system(model)
```



Ensure that all blocks that have *power_dissipated* variables are considered in the efficiency calculation. Enable data logging for the whole model.

```
set_param(model, 'SimscapeLogType', 'all')
```

Designate the load. Rename the Wye-Connected Load block from RL to RL_Load.

```
set_param([model, '/RL'], 'Name', 'RL_Load')
```

Run the simulation and create the simulation log variable.

```
sim(model)
```

The simulation log variable `simlog_ee_pwm_two_level` is saved in the workspace.

Calculate the efficiency percentage.

```
efficiency = pe_getEfficiency('Load', simlog_ee_pwm_two_level)
```

```
efficiency =
```

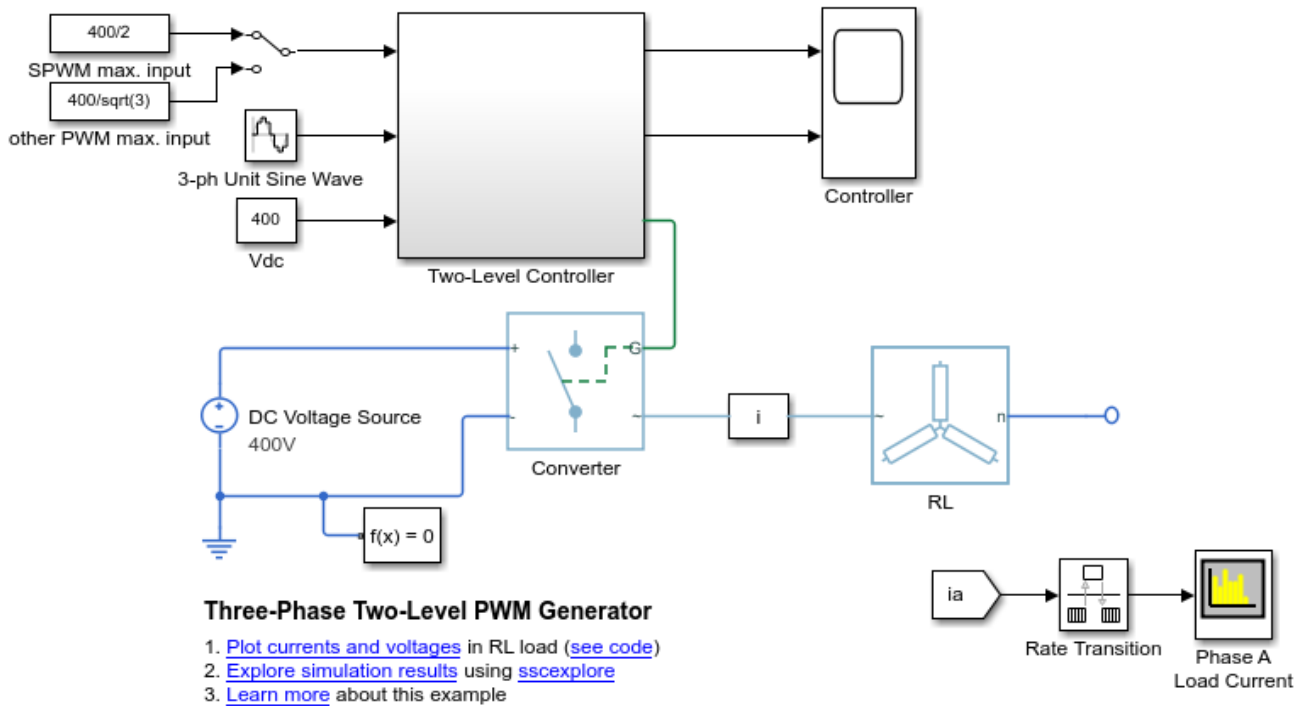
```
99.1940
```

Calculate Efficiency of a Circuit for a Specific Time Period

This example shows how to calculate efficiency based on the power dissipated for a specific time period using the `pe_getEfficiency` function. Data logging is enabled locally, and the option to limit data points is off.

Open the model. At the MATLAB® command prompt, enter:

```
model = 'ee_pwm_two_level';
open_system(model)
```



Ensure that all blocks that have *power_dissipated* variables are considered in the efficiency calculation. Enable data logging for the whole model.

```
set_param(model, 'SimscapeLogType', 'all')
```

Designate the load. Rename the Wye-Connected Load block from RL to RL_Load.

```
set_param([model, '/RL'], 'Name', 'RL_Load')
```

Run the simulation and create the simulation log variable.

```
sim(model)
```

The simulation log variable *simlog_ee_pwm_two_level* is saved in the workspace.

The model simulation stop time is 0.2 seconds. Calculate efficiency for the interval when the simulation time, *t*, is between 0.00 and 0.005 seconds.

```
efficiency = pe_getEfficiency('Load', simlog_ee_pwm_two_level, 0.000, 0.005)
```

```
efficiency =
```

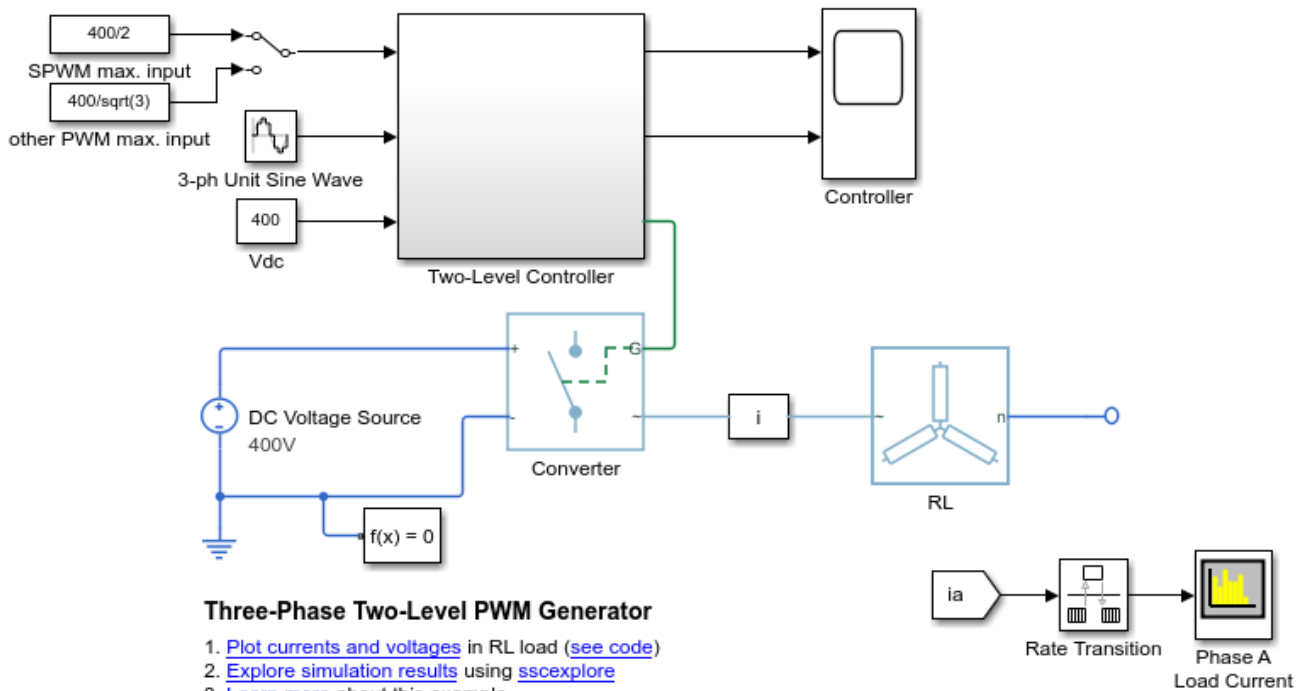
99.1093

Calculate Efficiency and Power-Loss Contributions

This example shows how using the `pe_getEfficiency` function allows you to calculate both the efficiency of the circuit and the power-loss contributions of the nonload blocks based on the power that they dissipate. Data logging is enabled locally, and the option to limit data points is off.

Open the model. At the MATLAB® command prompt, enter:

```
model = 'ee_pwm_two_level';
open_system(model)
```



Ensure that all blocks that have `power_dissipated` variables are considered in the efficiency calculation. Enable data logging for the whole model.

```
set_param(model, 'SimscapeLogType', 'all')
```

Designate the load. Rename the Wye-Connected Load block from RL to RL_Load.

```
set_param([model, '/RL'], 'Name', 'RL_Load')
```

Run the simulation and create the simulation log variable.

```
sim(model)
```

The simulation log variable `simlog_ee_pwm_two_level` is saved in the workspace.

Calculate the efficiency and power-loss contributions due to dissipated power.

```
[efficiency, lossesTable] = pe_getEfficiency('Load', simlog_ee_pwm_two_level)
```

```
efficiency =
```

```

99.1940

lossesTable =
    1x2 table
           LoggingNode           Power
    _____
'ee_pwm_two_level.Converter.converter_Xabc' 268.73
    
```

Input Arguments

'loadIdentifier' — Identify load blocks in the circuit
 case-sensitive string

String that is a complete or partial match for the names of load blocks in the circuit. For example, consider a circuit that contains the blocks shown in the table.

Block Name in the Model		DC Impedance	AC Impedance	Y-Ld
Block Type		RLC (Three-Phase)	RLC (Three-Phase)	Wye-Connected Load
Block Role in the Model		Source Impedance	Load Impedance	Load
'loadIdentifier'	'd'	Yes	Yes	Yes
	'Load'	No	No	No
	'D'	Yes	No	No

The `pe_getEfficiency` function does not return the correct data for any of these 'loadIdentifier' values.

A load-block naming schema that gives you better control over the output of the `pe_getEfficiency` function is shown in this table.

Block Name in the Model		DC Impedance	AC Impedance_Load_1	Y-Load_2
Block Type		RLC (Three-Phase)	RLC (Three-Phase)	Wye-Connected Load
Block Role in the Model		Source Impedance	Load Impedance	Load
'loadIdentifier'	'1'	No	Yes	No
	'2'	No	No	Yes
	'Load'	No	Yes	Yes

Example: 'Load'

Data Types: string

node — Simulation log variable, or a specific node within the simulation log variable

Node object

Simulation log workspace variable, or a node within this variable, that contains the logged model simulation data, specified as a Node object. You specify the name of the simulation log variable by using the **Workspace variable name** parameter on the **Simscape** pane of the Configuration Parameters dialog box. To specify a node within the simulation log variable, provide the complete path to that node through the simulation data tree, starting with the top-level variable name.

If **node** is the name of the simulation log variable, then the table contains the data for all blocks in the model that contain *power_dissipated* variables. If **node** is the name of a node in the simulation data tree, then the table contains the data only for:

- Blocks or variables within that node
- Blocks or variables within subnodes at all levels of the hierarchy beneath that node

Example: `simlog_ee_pwm_two_level`

startTime — Start of the time interval for calculating the efficiency

0 (default) | real number

Start of the time interval for calculating the efficiency, specified as a real number, in seconds. **startTime** must be greater than or equal to the simulation **Start time** and less than **endTime**.

Data Types: `double`

endTime — End of the time interval for calculating the efficiency

simulation stop time (default) | real number

End of the time interval for calculating the efficiency, specified as a real number, in seconds. **endTime** must be greater than **startTime** and less than or equal to the simulation **Stop time**.

Data Types: `double`

Output Arguments**efficiency — Efficiency of the circuit**

percentage

Efficiency of the circuit based on data extracted from a Simscape logging node.

lossesTable — Dissipated power for each nonload blocks

table

Dissipated power losses for each nonload block, returned as a table. The first column lists logging nodes for all blocks that have at least one *power_dissipated* variable. The second column lists the corresponding losses in watts.

Assumptions

- The output power equals the total power dissipated by blocks that you identify as load blocks.
- The input power equals the output power plus the total power dissipated by blocks that you do not identify as load blocks.

- The *power_dissipated* variables capture all loss contributions.

Compatibility Considerations

pe_getEfficiency will be removed

Not recommended starting in R2019a

The `pe_getEfficiency` function will be removed in a future release. Use the `ee_getEfficiency` function instead. The only difference between these functions is the function name. To prevent your code from generating an error when the function is removed, update to the new function name.

See Also

`ee_getEfficiency` | `ee_getPowerLossSummary` | `ee_getPowerLossTimeSeries` | `sscexplore`

Topics

“Perform a Power-Loss Analysis”

“Data Logging”

“About the Simscape Results Explorer”

Introduced in R2017a

pe_getHarmonics

Return harmonic orders, magnitudes, and fundamental frequency

Syntax

```
[harmonicOrder,harmonicMagnitude,fundamentalFrequency] =...
pe_getHarmonics(loggingNode)
[harmonicOrder,harmonicMagnitude,fundamentalFrequency] =...
pe_getHarmonics(loggingNode,valueIdx)
[harmonicOrder,harmonicMagnitude,fundamentalFrequency] =...
pe_getHarmonics(loggingNode,valueIdx,tOfInterest)
[harmonicOrder,harmonicMagnitude,fundamentalFrequency] =...
pe_getHarmonics(loggingNode,valueIdx,tOfInterest,nPeriodOfInterest)
[harmonicOrder,harmonicMagnitude,fundamentalFrequency] =...
pe_getHarmonics(loggingNode,valueIdx,tOfInterest,nPeriodOfInterest,...
offsetOfInterest)
[harmonicOrder,harmonicMagnitude,fundamentalFrequency] =...
pe_getHarmonics(loggingNode,valueIdx,tOfInterest,nPeriodOfInterest,...
offsetOfInterest,nHarmonic)
```

Description

[harmonicOrder,harmonicMagnitude,fundamentalFrequency] =...
 pe_getHarmonics(loggingNode) calculates the harmonic orders, magnitudes, and fundamental frequency of a `simscape.logging.Node` of an AC or periodic variable.

The function finds the points in the i^{th} signal (valueIdx) where the Simscape log crosses a threshold (offsetOfInterest). It uses the crossing points to find the required number of periods (nPeriodOfInterest) preceding the specified time (tOfInterest). Then it inputs the down-selected data to the Goertzel algorithm, which calculates the harmonic magnitudes up to and including the required number of harmonics (nHarmonic).

You enter the input arguments in a specific order. The Simscape logging node input argument is required. All other input arguments are optional and have default values. If you are specifying a value for a subsequent optional input argument, enter [] to use the default value for an optional input argument.

You can use the `pe_plotHarmonics` function to obtain a bar chart from the same input arguments. You can use the outputs of this function as inputs to the `pe_calculateThdPercent` function to calculate the total harmonic distortion (THD) percentage.

[harmonicOrder,harmonicMagnitude,fundamentalFrequency] =...
 pe_getHarmonics(loggingNode,valueIdx) uses the index into value data.

[harmonicOrder,harmonicMagnitude,fundamentalFrequency] =...
 pe_getHarmonics(loggingNode,valueIdx,tOfInterest) uses the simulation time.

[harmonicOrder,harmonicMagnitude,fundamentalFrequency] =...
 pe_getHarmonics(loggingNode,valueIdx,tOfInterest,nPeriodOfInterest) uses the number of periods of fundamental frequency.

```
[harmonicOrder,harmonicMagnitude,fundamentalFrequency] =...
pe_getHarmonics(loggingNode,valueIdx,tOfInterest,nPeriodOfInterest,...
offsetOfInterest) uses the DC offset.
```

```
[harmonicOrder,harmonicMagnitude,fundamentalFrequency] =...
pe_getHarmonics(loggingNode,valueIdx,tOfInterest,nPeriodOfInterest,...
offsetOfInterest,nHarmonic) uses the number of harmonics.
```

Examples

Analyze Using Default Values

This set of function arguments uses the Simscape logging node `simlog_ee_harmonics_rectifier.AC.N.V`, which contains data from a three-phase voltage. The function analyzes the default signal, which is the first, or a-phase, signal at the final simulation time. The function uses the default values of 12 for the number of periods of the signal, 0V for the signal bias, and 30 for the number of harmonics.

```
open_system('ee_harmonics_rectifier')
sim('ee_harmonics_rectifier')
pe_getHarmonics(simlog_ee_harmonics_rectifier.AC.N.V)
```

ans =

Columns 1 through 9

```
0    1    2    3    4    5    6    7    8
```

Columns 10 through 18

```
9   10   11   12   13   14   15   16   17
```

Columns 19 through 27

```
18  19  20  21  22  23  24  25  26
```

Columns 28 through 31

```
27  28  29  30
```

Analyze Using Specified Values

This set of function arguments uses the Simscape logging node `simlog_ee_harmonics_rectifier.AC.N.V`, which contains data from a three-phase voltage. The function analyzes the second, or b-phase, signal at a simulation time of 0.5 s. The function uses 10 periods of the signal, which has a bias of 1 V. The function analyzes 15 harmonics.

```
open_system('ee_harmonics_rectifier')
sim('ee_harmonics_rectifier')
pe_getHarmonics(simlog_ee_harmonics_rectifier.AC.N.V,2,0.5,10,1,15)
```

ans =

Columns 1 through 9

```
0    1    2    3    4    5    6    7    8
```

Columns 10 through 16

```

9      10      11      12      13      14      15

```

Analyze Using Default and Specified Values

This set of function arguments uses the Simscape logging node `simlog_ee_harmonics_rectifier.AC.N.V`, which contains data from a three-phase voltage. The function analyzes the first, or a-phase, signal at a simulation time of 0.5 s. The function uses 12 periods of the signal, which has a bias of 1 V. The function analyzes the default number, 30, of harmonics.

```

open_system('ee_harmonics_rectifier')
sim('ee_harmonics_rectifier')
pe_getHarmonics(simlog_ee_harmonics_rectifier.AC.N.V,[],0.5,[],1)

```

ans =

Columns 1 through 9

```

0      1      2      3      4      5      6      7      8

```

Columns 10 through 18

```

9      10     11     12     13     14     15     16     17

```

Columns 19 through 27

```

18     19     20     21     22     23     24     25     26

```

Columns 28 through 31

```

27     28     29     30

```

Input Arguments

loggingNode — Simscape logging node

1-by-1 `simscape.logging.Node`

Simscape logging node, specified as a 1-by-1 `simscape.logging.Node`. You create a `simscape.logging.Node` by running a simulation with Simscape logging enabled. For information, see “Enable Data Logging for the Whole Model”.

Example: `simlog.Load.V`

The Simscape logging node `simlog.Load.V` contains data from a three-phase voltage.

valueIdx — Index into value data

1 (default) | scalar

Index into value data, specified as a scalar. Specifies the i^{th} variable of interest in the Simscape log.

Example: 2

Specify the b-phase, which is the second signal from a three-phase voltage.

Example: `[]`

Use [] to specify the default value of 1. The a-phase, which is the first signal from a three-phase voltage, is the default signal of interest.

Data Types: `single` | `double` | `int8` | `int16` | `int32` | `int64` | `uint8` | `uint16` | `uint32` | `uint64`

tOfInterest – Simulation time

final time in Simscape log (default) | scalar

Simulation time of interest for harmonic analysis, specified as a scalar.

Example: 0.5

Specify a 0.5 s simulation time.

Data Types: `single` | `double` | `int8` | `int16` | `int32` | `int64` | `uint8` | `uint16` | `uint32` | `uint64`

nPeriodOfInterest – Number of periods

12 (default) | scalar

Number of periods of fundamental frequency to be included in harmonic analysis, specified as a scalar.

Example: 10

Specify 10 periods of the signal.

Data Types: `single` | `double` | `int8` | `int16` | `int32` | `int64` | `uint8` | `uint16` | `uint32` | `uint64`

offsetOfInterest – DC offset

0 (default) | scalar

DC offset in the input signal, specified as a scalar. The function uses this value to find the periods of interest.

Example: 1

Specify a bias of 1 V for the signal.

Data Types: `single` | `double` | `int8` | `int16` | `int32` | `int64` | `uint8` | `uint16` | `uint32` | `uint64`

nHarmonic – Number of harmonics

30 (default) | scalar

Number of harmonics to include in analysis, specified as a scalar.

Example: 15

Specify that the number of harmonics to be analyzed is 15.

Data Types: `single` | `double` | `int8` | `int16` | `int32` | `int64` | `uint8` | `uint16` | `uint32` | `uint64`

Output Arguments

harmonicOrder – Harmonic order

vector

Harmonic orders from 0 up to and including the number of harmonics used in the analysis, returned as a vector.

harmonicMagnitude — Harmonic magnitude

vector

Harmonic magnitudes from the 0th harmonic up to and including the number of harmonics used in the analysis, returned as a vector.

fundamentalFrequency — Fundamental frequency

scalar

Fundamental frequency over the range of the down-selected input data, returned as a scalar.

Limitations

- This function requires that you use a fixed-step solver for the Simscape Electrical Power Systems network that you are analyzing. To specify a fixed-step solver for the physical network, use one of the configuration combinations in the table.

Configuration Combination	Global Solver Configuration	Local Solver Configuration
Global variable-step with local fixed-step	Set Type to Variable-step	Enable the options to Use local solver and Use fixed-cost runtime consistency iterations
Global and local fixed-step	Set Type to Fixed-step	Enable the options to Use local solver and Use fixed-cost runtime consistency iterations
Global fixed-step	Set Type to Fixed-step	Clear the option to Use local solver

- This function uses threshold crossing points to determine the fundamental frequency of the data. If your input data is noisy or crosses the threshold more frequently than half of the fundamental period, filter it before you use this function to analyze it.
- This function requires a minimal number of periods. If the minimal number is not met, the function generates a warning message. To increase the number of periods, use one or both of these methods:
 - Increase the simulation time.
 - Increase the switching frequency.

Compatibility Considerations**pe_getHarmonics will be removed**

Not recommended starting in R2019a

The `pe_getHarmonics` function will be removed in a future release. Use the `ee_getHarmonics` function instead. The only difference between these functions is the function name. To prevent your code from generating an error when the function is removed, update to the new function name.

See Also

Blocks

Spectrum Analyzer

Functions

`ee_calculateThdPercent` | `ee_getHarmonics` | `ee_plotHarmonics` | `sscexplore`

Objects

`simscape.logging.Node`

Topics

“Perform an Online Harmonic Analysis Using the Simscape Spectrum Analyzer Block”

“Choose a Simscape Electrical Function for an Offline Harmonic Analysis”

“Data Logging”

“Harmonic Analysis of a Three-Phase Rectifier”

Introduced in R2014a

pe_getPowerLossSummary

Calculate dissipated power losses

Syntax

```
lossesTable = pe_getPowerLossSummary(node)  
lossesTable = pe_getPowerLossSummary(node, startTime, endTime)
```

Description

`lossesTable = pe_getPowerLossSummary(node)` calculates dissipated power losses for semiconductor blocks in a model, based on logged simulation data, and returns the data for each block in a table.

Before you call this function, generate or load the simulation log variable into your workspace. To generate the variable, simulate the model with simulation data logging enabled. For more information, see “About Simulation Data Logging”. To load a previously saved variable from a file, right-click on the file and select **Load**.

Checking dissipated power allows you to determine if circuit components are operating within their efficiency requirements. Blocks in the **Semiconductor > Fundamental Components** library have an internal variable called *power_dissipated*. This variable represents the instantaneous dissipated power, which includes only the real power (not the reactive or apparent power) that the block dissipates. When you log simulation data, the time-value series for this variable represents the power dissipated by the block over time. You can view and plot this data using the Simscape Results Explorer. The `ee_getPowerLossTimeSeries` function also allows you to access this data from a cell array.

The `pe_getPowerLossSummary` function calculates average losses for each block that has a *power_dissipated* variable. Some blocks have more than one *power_dissipated* variable, depending on their configuration. For example, for the MOSFET (Ideal, Switching) block, both the `diode` node and the `ideal_switch` node have a *power_dissipated* logging node. The function sums the power losses for both nodes to provide the total power loss for the block, averaged over simulation time.

The nonideal semiconductor blocks also have thermal variants. Thermal variants have thermal ports that allow you to model the heat that is generated due to switching events and conduction losses. If you use a thermal variant, the function calculates power losses based on the thermal parameters that you specify. Essentially, the power dissipated is equal to the heat generated.

If you use a variant without a thermal port, the function calculates power losses based on the electrical parameters that you specify, such as on-state resistance and off-state conductance.

`lossesTable = pe_getPowerLossSummary(node, startTime, endTime)` calculates dissipated power losses within a time interval. `startTime` and `endTime` represent the start and end of the time interval for averaging the power losses. If you omit these two input arguments, the function averages the power losses over the total simulation time.

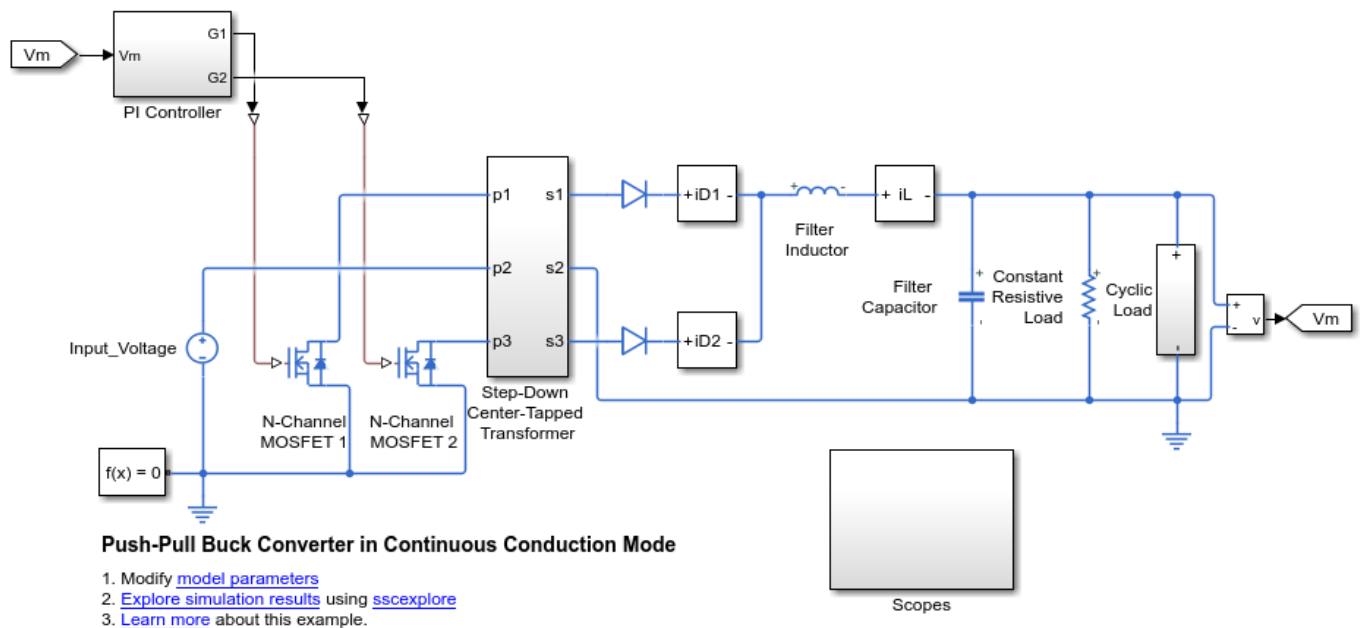
Examples

Calculate Average Power Losses by Block for the Whole Model

This example uses the Push-Pull Buck Converter in Continuous Conduction Mode model. Data logging is enabled for the whole model and the option to limit data points is off.

- 1 Open the example model. At the MATLAB command prompt, enter

```
model = 'ee_push_pull_converter_ccm';
open_system(model)
```



- 2 Run the simulation and create the simulation log variable.

```
sim(model)
```

The simulation log variable `simlog_ee_push_pull_converter_ccm` is saved in your workspace.

- 3 Calculate average power losses for each semiconductor in the model and display the results in a table.

```
tabulatedLosses = pe_getPowerLossSummary(simlog_ee_push_pull_converter_ccm)
```

```
tabulatedLosses =
```

```
5x2 table
```

LoggingNode	Power
'ee_push_pull_converter_ccm.Diode1'	0.30937
'ee_push_pull_converter_ccm.Diode'	0.3092
'ee_push_pull_converter_ccm.N_Channel_MOSFET_1.mosfet_equation'	0.24497
'ee_push_pull_converter_ccm.N_Channel_MOSFET_2.mosfet_equation'	0.2449
'ee_push_pull_converter_ccm.Step_Down_Center_Tapped_Transformer.Eddy_Current'	0.070198

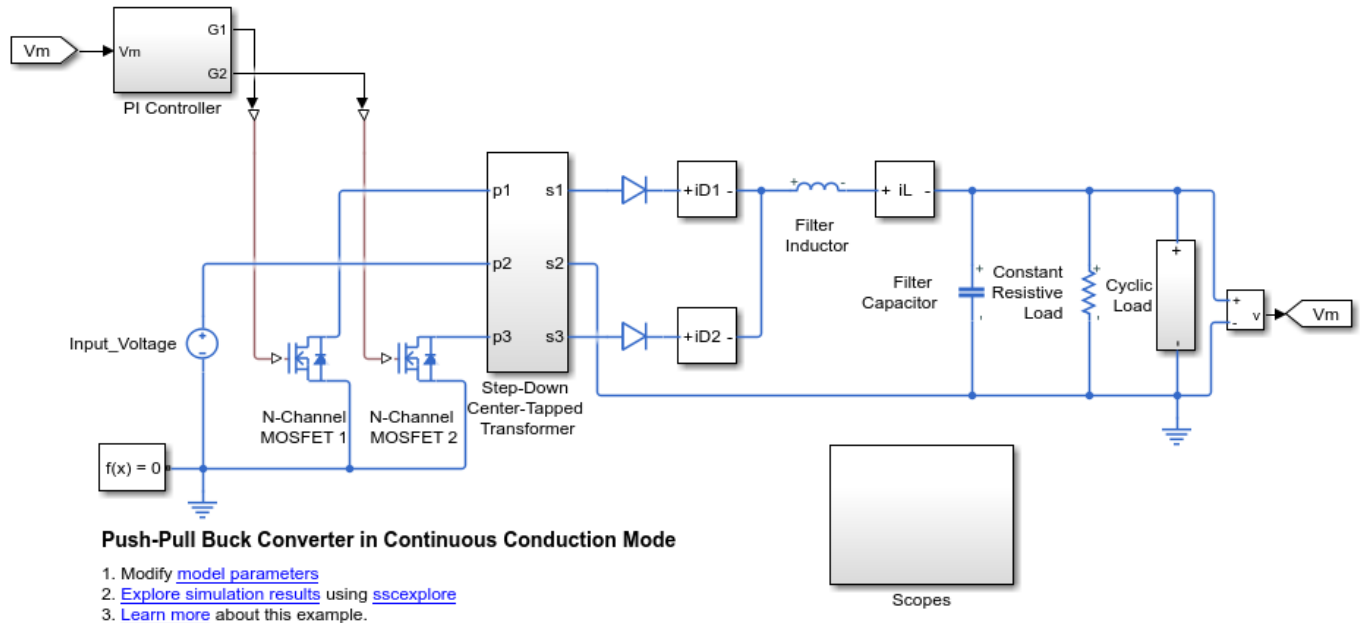
The table shows dissipated power losses for each of the N-Channel MOSFET and Diode blocks, averaged over the entire simulation time.

Calculate Average Power Losses for a Specific Time Period

This example uses the Push-Pull Buck Converter in Continuous Conduction Mode model. Data logging is enabled for the whole model and the option to limit data points is off.

- 1 Open the example model. At the MATLAB command prompt, enter

```
model = 'ee_push_pull_converter_ccm';
open_system(model)
```



- 2 Run the simulation and create the simulation log variable.

```
sim(model)
```

The simulation log variable `simlog_ee_push_pull_converter_ccm` is saved in your workspace.

- 3 The model simulation time (t) is 0.04 seconds. Calculate average power losses for the interval when t is 0.010–0.025 seconds

```
tabulatedLosses = pe_getPowerLossSummary(simlog_ee_push_pull_converter_ccm,0.010,0.025)
```

```
tabulatedLosses =
```

```
5×2 table
```

LoggingNode	Power
'ee_push_pull_converter_ccm.Diode'	0.3703
'ee_push_pull_converter_ccm.Diode1'	0.37022
'ee_push_pull_converter_ccm.N_Channel_MOSFET_2.mosfet_equation'	0.26598
'ee_push_pull_converter_ccm.N_Channel_MOSFET_1.mosfet_equation'	0.26595
'ee_push_pull_converter_ccm.Step_Down_Center_Tapped_Transformer.Eddy_Current'	0.08443

The table shows dissipated power losses for each of the Diode and MOSFET blocks, averaged over the specified portion of simulation time.

Input Arguments

node — Simulation log variable, or a specific node within the simulation log variable

Node object

Simulation log workspace variable, or a node within this variable, that contains the logged model simulation data, specified as a `Node` object. You specify the name of the simulation log variable by using the **Workspace variable name** parameter on the **Simscape** pane of the Configuration Parameters dialog box. To specify a node within the simulation log variable, provide the complete path to that node through the simulation data tree, starting with the top-level variable name.

If `node` is the name of the simulation log variable, then the table contains the data for all blocks in the model that contain `power_dissipated` variables. If `node` is the name of a node in the simulation data tree, then the table contains the data only for:

- Blocks or variables within that node
- Blocks or variables within subnodes at all levels of the hierarchy beneath that node

Example: `simlog.Cell1.MOS1`

startTime — Start of the time interval for averaging dissipated power losses

real number

Start of the time interval for averaging dissipated power losses, specified as a real number, in seconds. `startTime` must be greater than or equal to the simulation **Start time** and less than `endTime`.

Data Types: `double`

endTime — End of the time interval for averaging dissipated power losses

real number

End of the time interval for averaging dissipated power losses, specified as a real number, in seconds. `endTime` must be greater than `startTime` and less than or equal to the simulation **Stop time**.

Data Types: `double`

Output Arguments

lossesTable — Dissipated power losses for each block

table

Dissipated power losses for each block, returned as a table. The first column lists logging nodes for all blocks that have at least one `power_dissipated` variable. The second column lists the corresponding losses in watts.

Compatibility Considerations

pe_getPowerLossSummary will be removed

Not recommended starting in R2019a

The `pe_getPowerLossSummary` function will be removed in a future release. Use the `ee_getPowerLossSummary` function instead. The only difference between these functions is the

function name. To prevent your code from generating an error when the function is removed, update to the new function name.

See Also

[ee_getEfficiency](#) | [ee_getPowerLossSummary](#) | [ee_getPowerLossTimeSeries](#) | [sscexplore](#)

Topics

[“Perform a Power-Loss Analysis”](#)

[“Data Logging”](#)

[“About the Simscape Results Explorer”](#)

Introduced in R2017a

pe_getPowerLossTimeSeries

Calculate dissipated power losses and return the time series data

Syntax

```
lossesCell = pe_getPowerLossTimeSeries(node)
lossesCell = pe_getPowerLossTimeSeries(node,startTime,endTime)
lossesCell = pe_getPowerLossTimeSeries(node,startTime,...
endTime,intervalWidth)
```

Description

`lossesCell = pe_getPowerLossTimeSeries(node)` calculates dissipated power losses for blocks, based on logged Simscape simulation data, and returns the time series data for each block.

Before you call this function, generate or load the simulation log variable into your workspace. To generate the variable, simulate the model with simulation data logging enabled. For more information, see “About Simulation Data Logging”. To load a previously saved variable from a file, right-click on the file and select **Load**.

Checking dissipated power allows you to determine if circuit components are operating within their efficiency requirements. Blocks in the **Semiconductor > Fundamental Components** library have an internal variable called *power_dissipated*. This variable represents the instantaneous dissipated power, which includes only the real power (not the reactive or apparent power) that the block dissipates. When you log simulation data, the time-value series for this variable represents the power dissipated by the block over time. You can view and plot this data using the Simscape Results Explorer. The `pe_getPowerLossTimeSeries` function also allows you to access this data from a cell array.

The `pe_getPowerLossTimeSeries` function calculates losses for each block that has a *power_dissipated* variable. Some blocks have more than one *power_dissipated* variable, depending on their configuration. For example, for the MOSFET (Ideal, Switching) block, both the `diode` node and the `ideal_switch` node have a *power_dissipated* logging node. The function sums the power losses for both nodes to provide the total power loss for the block.

The nonideal semiconductor blocks also have thermal variants. Thermal variants have thermal ports that allow you to model the heat that is generated due to switching events and conduction losses. If you use a thermal variant, the function calculates power losses based on the thermal parameters that you specify. Essentially, the power dissipated is equal to the heat generated.

If you use a variant without a thermal port, the function calculates power losses based on the electrical parameters that you specify, such as on-state resistance and off-state conductance.

`lossesCell = pe_getPowerLossTimeSeries(node,startTime,endTime)` calculates dissipated power losses for blocks in a model, based on logged Simscape simulation data, and returns the time series data for each block for time steps from `startTime` to `endTime`. If `startTime` is equal to `endTime`, the interval is effectively zero and the function returns the instantaneous power for the time step that occurs at that moment.

```
lossesCell = pe_getPowerLossTimeSeries(node,startTime,...
```

`endTime, intervalWidth`) calculates dissipated power losses for blocks in a model, based on logged Simscape simulation data, and returns the time series data for each block for time steps from `startTime` to `endTime`, with averaging applied over intervals equal to `intervalWidth`. If `intervalWidth` is 0, the function returns the instantaneous power dissipation.

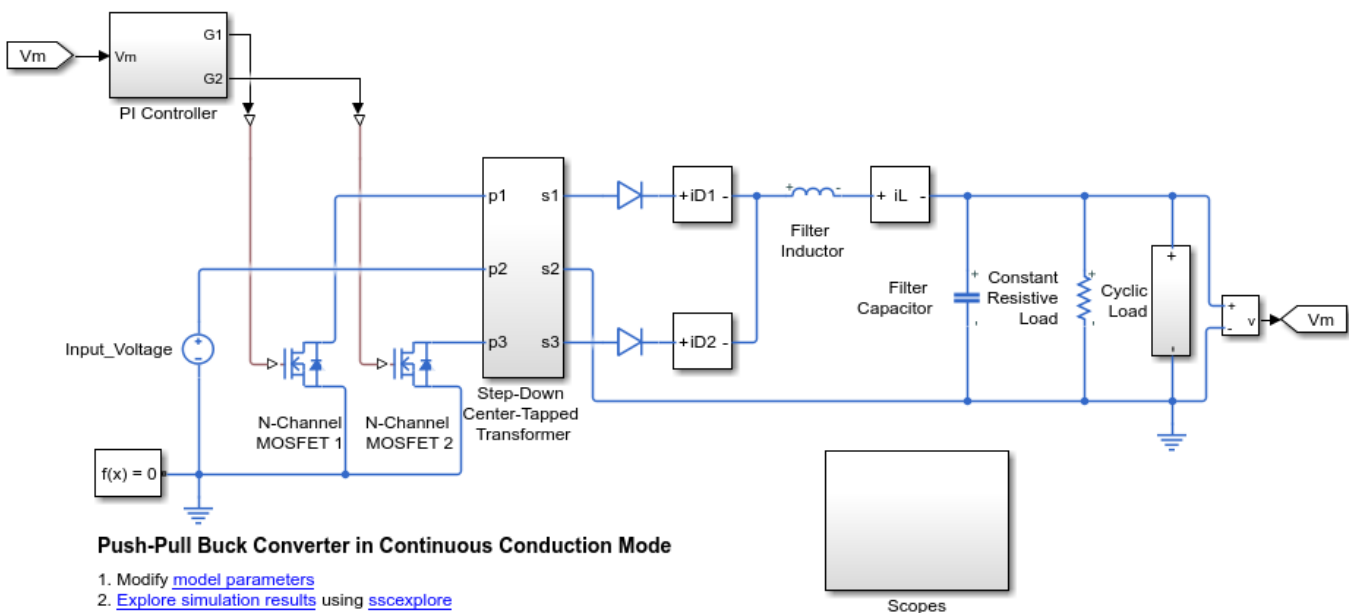
Examples

Calculate Dissipated Power Losses for the Entire Simulation Time

This example shows how to calculate instantaneous losses based on the power dissipated and return the time series data for all time steps in the entire simulation time using the `pe_getPowerLossTimeSeries` function. Data logging is enabled for the whole example model, and the option to limit data points is off.

Open the model. At the MATLAB® command prompt, enter:

```
model = 'ee_push_pull_converter_ccm';
open_system(model)
```



Run the simulation and create the simulation log variable.

```
sim(model)
```

The simulation log variable `simlog_ee_push_pull_converter_ccm` is saved in your workspace.

Calculate dissipated power losses and return the time series data in a cell array.

```
lossesCell = pe_getPowerLossTimeSeries(simlog_ee_push_pull_converter_ccm)
```

```
lossesCell =
```

```
5x2 cell array
```

```

{'ee_push_pull_converter_ccm...'} {400001x3 double}
{'ee_push_pull_converter_ccm...'} {400001x3 double}
{'ee_push_pull_converter_ccm...'} {400001x3 double}
{'ee_push_pull_converter_ccm...'} {400001x3 double}
{'ee_push_pull_converter_ccm...'} {400001x3 double}

```

View the time series data. From the workspace, open the `lossesCell` cell array, then open the `400001x3 double` numeric array for the `ee_push_pull_converter_ccm.N_Channel_MOSFET_1.mosfet_equation`.

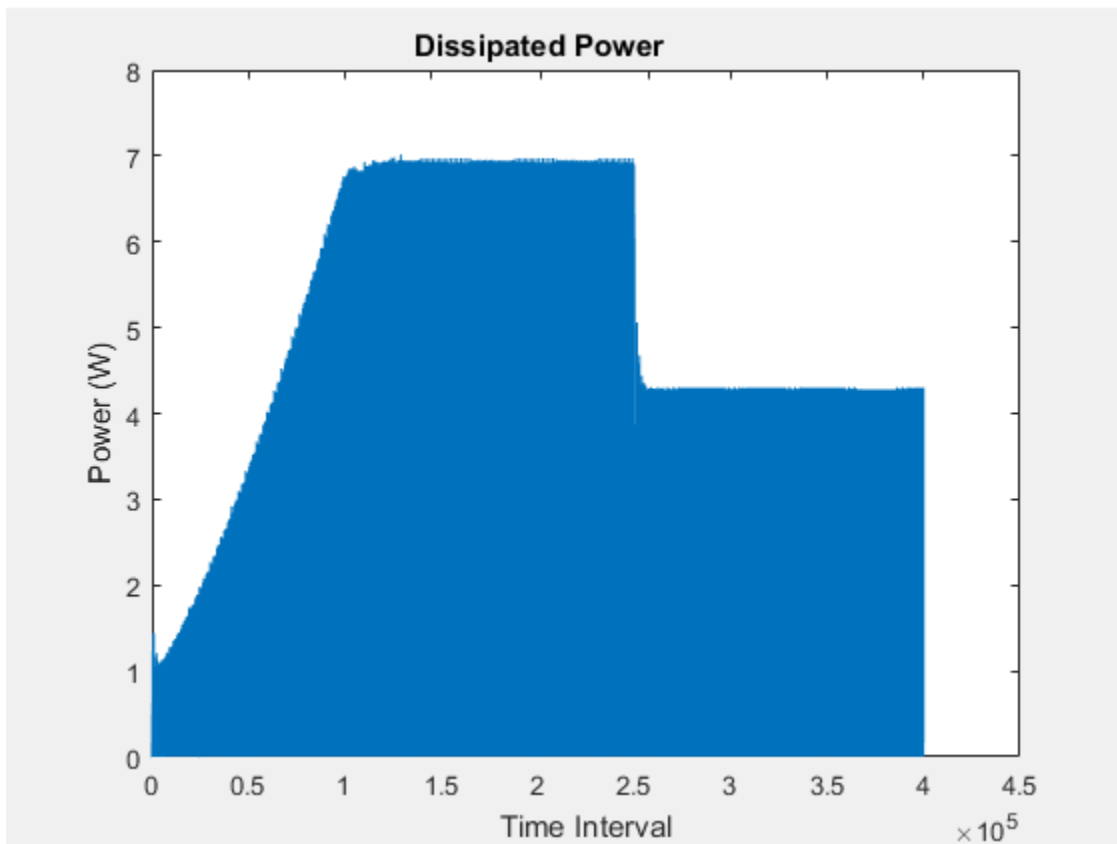
The first two columns contain the interval start and end time. The third column contains the power loss data.

Plot the data.

```

plot(lossesCell{1, 2}(:,end))
title('Dissipated Power')
xlabel('Time Interval')
ylabel('Power (W)')

```



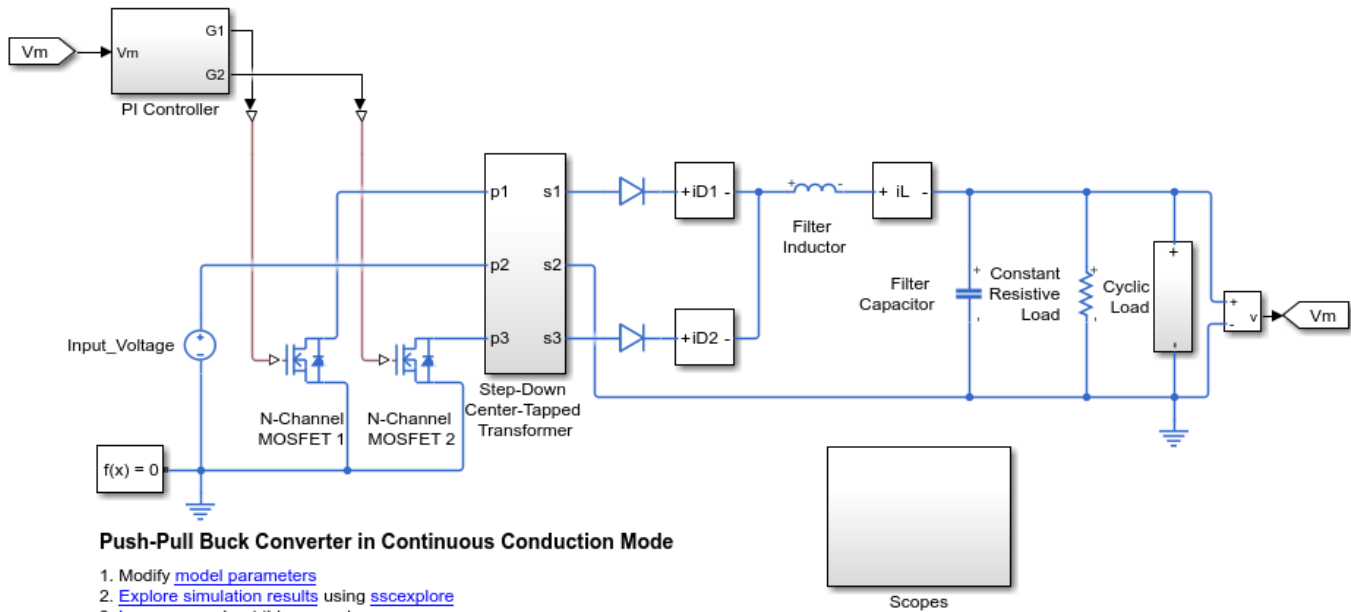
Calculate Dissipated Power Losses for a Specific Time Period

This example shows how to calculate instantaneous losses based on the power dissipated and return the time series data for all time steps in a specific time period using the

`pe_getPowerLossTimeSeries` function. Data logging is enabled for the whole example model, and the option to limit data points is off.

Open the model. At the MATLAB® command prompt, enter:

```
model = 'ee_push_pull_converter_ccm';
open_system(model)
```



Run the simulation and create the simulation log variable.

```
sim(model)
```

The simulation log variable `simlog_ee_push_pull_converter_ccm` is saved in your workspace.

The model simulation time (t) is 0.04 seconds. Calculate dissipated power losses and return the time series data in a cell array for the interval when t is 0.010–0.025 seconds.

```
lossesCell = pe_getPowerLossTimeSeries(simlog_ee_push_pull_converter_ccm,0.010,0.025)
```

```
lossesCell =
```

```
5×2 cell array
```

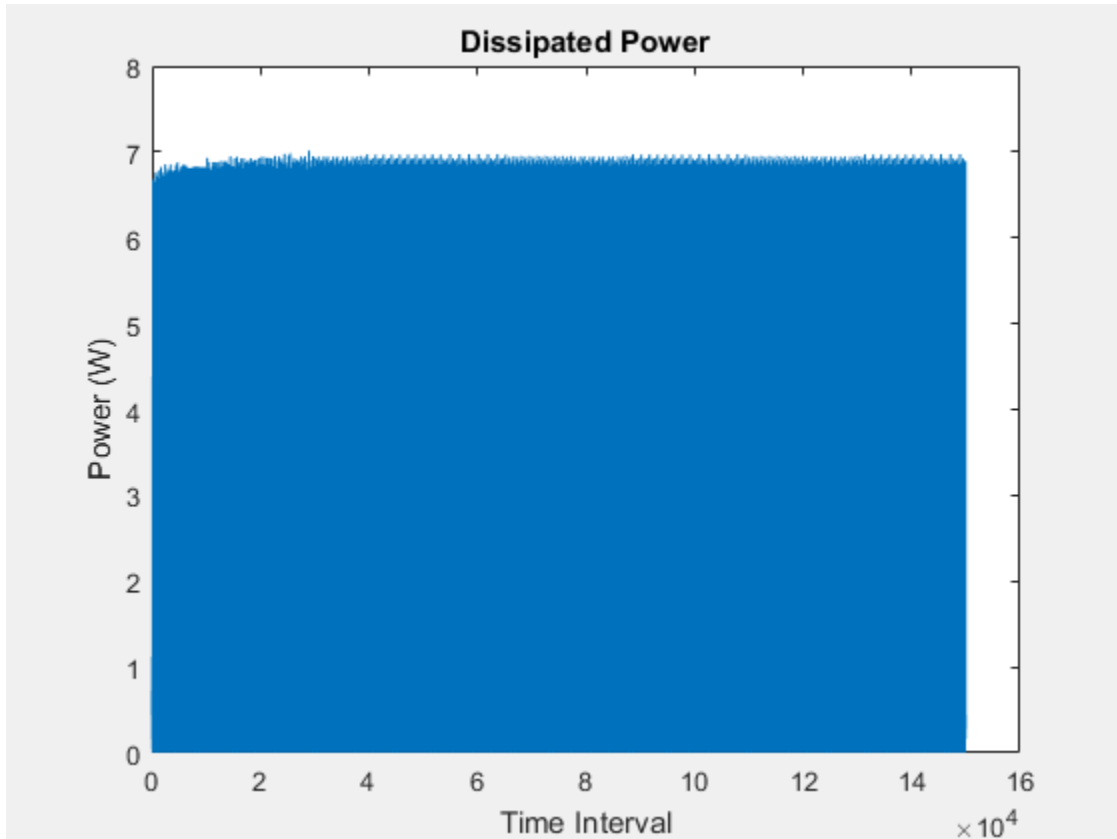
```
{'ee_push_pull_converter_ccm...'} {150002×3 double}
{'ee_push_pull_converter_ccm...'} {150002×3 double}
{'ee_push_pull_converter_ccm...'} {150002×3 double}
{'ee_push_pull_converter_ccm...'} {150002×3 double}
{'ee_push_pull_converter_ccm...'} {150002×3 double}
```

View the time series data. From the workspace, open the `lossesCell` cell array, then open the `150002×3 double` numeric array for the `ee_push_pull_converter_ccm.N_Channel_MOSFET_1.mosfet_equation`.

The first two columns contain the interval start and end time. The third column contains the power loss data.

Plot the data.

```
plot(lossesCell{1, 2}{:,end})  
title('Dissipated Power')  
xlabel('Time Interval')  
ylabel('Power (W)')
```

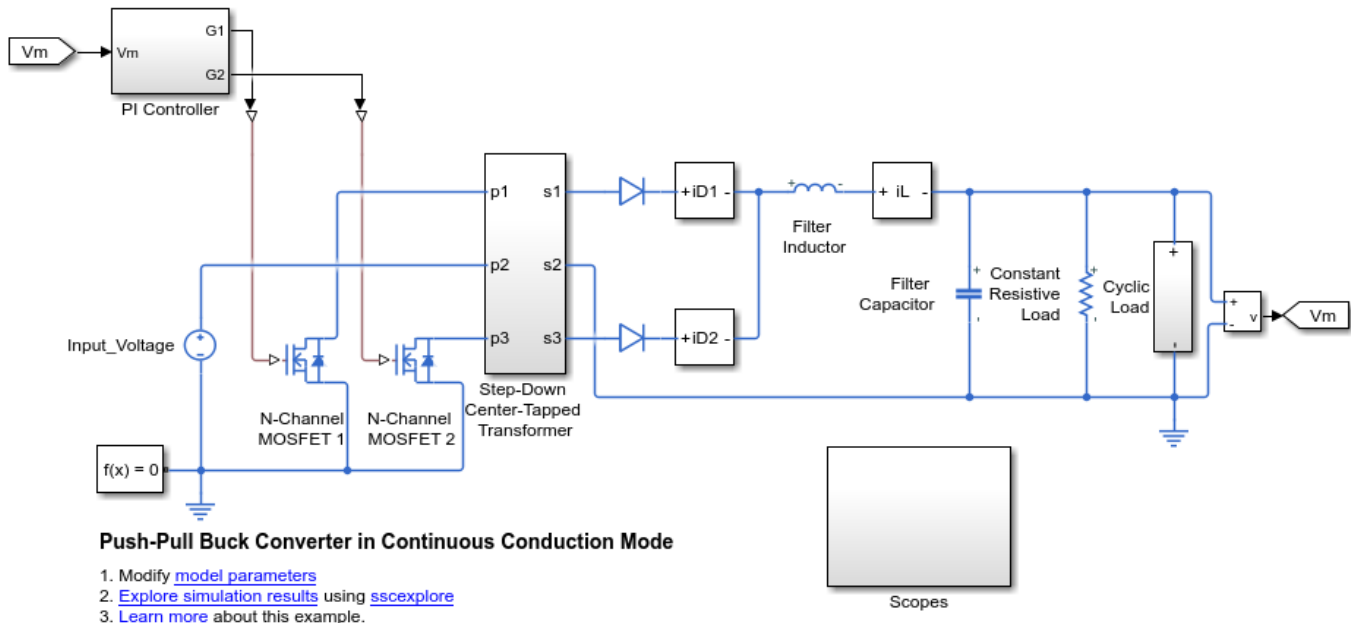


Calculate Dissipated Power Losses Using Specific Interval Widths

This example shows how to calculate losses based on the power dissipated and return the time series data for a specific time period with averaging applied over intervals of a specified width. Data logging is enabled for the whole example model, and the option to limit data points is off.

Open the model. At the MATLAB® command prompt, enter:

```
model = 'ee_push_pull_converter_ccm';  
open_system(model)
```



Run the simulation and create the simulation log variable.

```
sim(model)
```

The simulation log variable `simlog_ee_push_pull_converter_ccm` is saved in your workspace.

The model simulation time, t , is 0.04 seconds. Calculate the average dissipated power losses for 1.1e-4 s intervals and return the time series data in a cell array for the period when simulation time, t , is 0.010-0.025 seconds.

```
lossesCell = pe_getPowerLossTimeSeries(simlog_ee_push_pull_converter_ccm,0.010,0.025,1.1e-4)
```

```
lossesCell =
```

```
5×2 cell array
```

```
{'ee_push_pull_converter_ccm.N_...' } {136×3 double}
{'ee_push_pull_converter_ccm.N_...' } {136×3 double}
{'ee_push_pull_converter_ccm.Di...' } {136×3 double}
{'ee_push_pull_converter_ccm.Di...' } {136×3 double}
{'ee_push_pull_converter_ccm.St...' } {136×3 double}
```

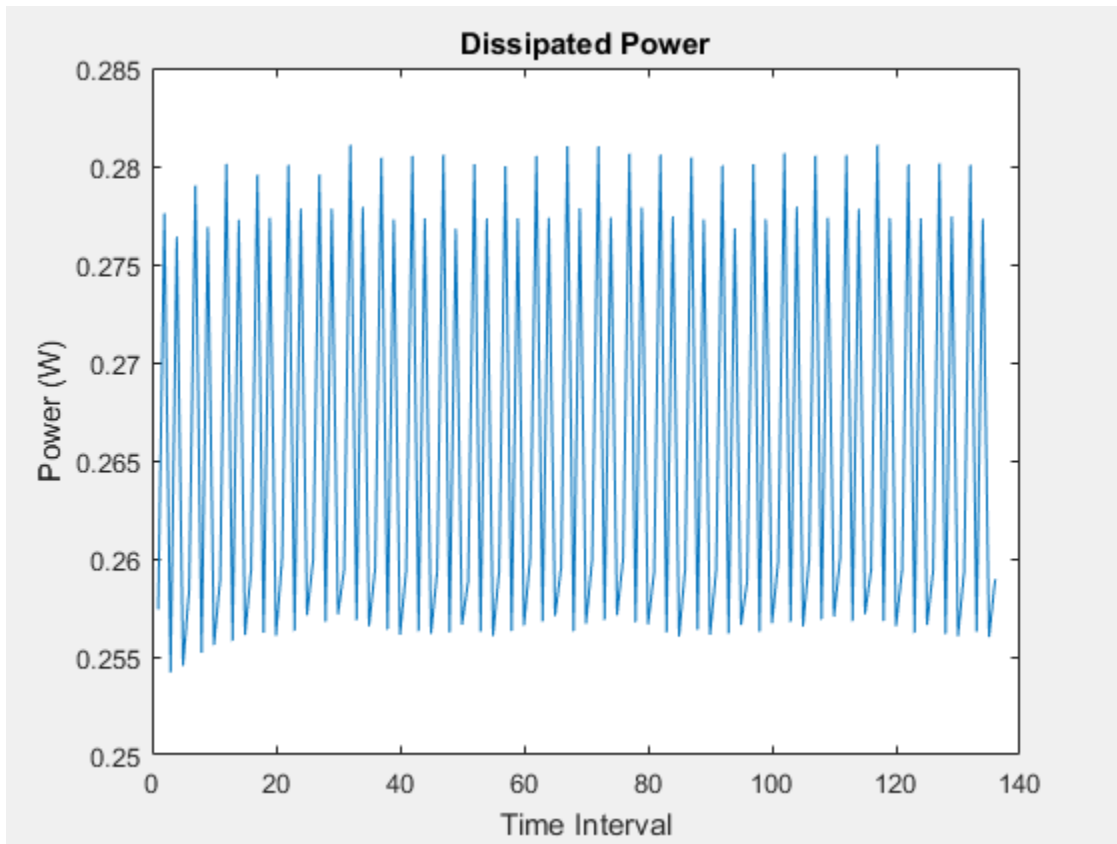
View the time series data. From the workspace, open the `lossesCell` cell array, then open the 136×3 double numeric array for the `ee_push_pull_converter_ccm.N_Channel_MOSFET_1.mosfet_equation`.

The first two columns contain the interval start and end time. The third column contains the power loss data. In this case, to use averaging intervals that are equal in width to 1.1e-4 seconds, the function adjusts the start time for the first interval from the specified value of 0.010 seconds to a value of 0.01004 seconds. There are 136 intervals of 1.1e-4 seconds.

Plot the data.

```
plot(lossesCell{1, 2}(:,end))
title('Dissipated Power')
```

```
xlabel('Time Interval')
ylabel('Power (W)')
```



Input Arguments

node — Simulation log variable, or a specific node within the simulation log variable

Node object

Simulation log workspace variable, or a node within this variable, that contains the logged model simulation data, specified as a Node object. You specify the name of the simulation log variable by using the **Workspace variable name** parameter on the **Simscape** pane of the Configuration Parameters dialog box. To specify a node within the simulation log variable, provide the complete path to that node through the simulation data tree, starting with the top-level variable name.

If **node** is the name of the simulation log variable, then the table contains the data for all blocks in the model that contain *power_dissipated* variables. If **node** is the name of a node in the simulation data tree, then the table contains the data only for:

- Blocks or variables within that node
- Blocks or variables within subnodes at all levels of the hierarchy beneath that node

Example: `simlog_ee_push_pull_converter_ccm`

startTime — Start of the time interval for calculating the data

0 (default) | real number

Start of the time interval for calculating the power loss time series, specified as a real number, in seconds. `startTime` must be greater than or equal to the simulation **Start time** and less than `endTime`.

Data Types: double

endTime — End of the time interval for calculating the data

simulation stop time (default) | real number

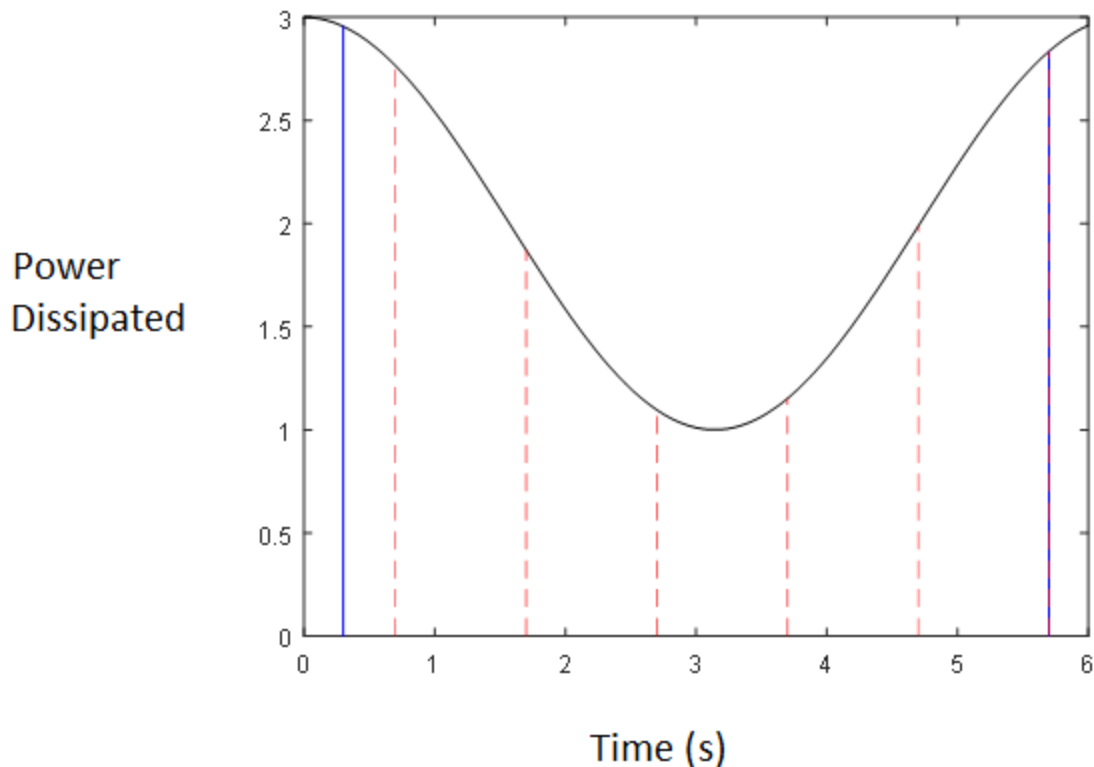
End of the time interval for calculating the power loss time series, specified as a real number, in seconds. `endTime` must be greater than `startTime` and less than or equal to the simulation **Stop time**.

Data Types: double

intervalWidth — size of the interval in time for calculating the average power dissipation

0 (default)

If the time between the specified `startTime` and `endTime` is not an integer multiple of `intervalWidth`, the function adjusts the start time. The figure shows how the function adjusts the start time to ensure that width of each time interval that the dissipated power is averaged over is equal to the specified `intervalWidth`.



The black line is an example of the instantaneous *power_dissipated* variables summed over all elements in an individual block. The simulation runs for 6 seconds. The `startTime` and `endTime` are indicated by the solid blue lines. The `intervalWidth` is set to 1 second. There are five intervals as indicated by the red dashed lines. The right-most edge of the last interval coincides with `endTime`.

The left-most edge of the first interval is always greater than or equal to `startTime`. The edge is equal to `startTime` only if $(endTime - startTime) / intervalWidth$ is an integer. The output in this case consists of five values for the averaged power dissipation, one point for each time period. The function outputs the actual start and stop times in the tabulated output data.

Example: `1.1e-3`

Data Types: `double`

Output Arguments

lossesCell – Time series of the dissipated power losses for each block

cell array

Cell array that contains the names of the blocks in the nodes that contain *power_dissipated* variables and, for each block, a three-column array:

- Column one contains the interval start time.
- Column two contains the interval end time.
- Column three contains the dissipated power for the time interval.

If the interval width is 0 seconds, that is, the start time is equal to the end time, then the dissipated power is the instantaneous power loss. If the interval is greater than 0 seconds, the dissipated power is the average power loss for the time of the interval.

Compatibility Considerations

pe_getPowerLossTimeSeries will be removed

Not recommended starting in R2019a

The `pe_getPowerLossTimeSeries` function will be removed in a future release. Use the `ee_getPowerLossTimeSeries` function instead. The only difference between these functions is the function name. To prevent your code from generating an error when the function is removed, update to the new function name.

See Also

`ee_getEfficiency` | `ee_getPowerLossSummary` | `ee_getPowerLossTimeSeries` | `sscexplore`

Topics

“Perform a Power-Loss Analysis”

“Data Logging”

“About the Simscape Results Explorer”

Introduced in R2017a

pe_plotHarmonics

Plot percentage of fundamental magnitude versus harmonic order

Syntax

```
pe_plotHarmonics(loggingNode)
pe_plotHarmonics(loggingNode,valueIdx)
pe_plotHarmonics(loggingNode,valueIdx,tOfInterest)
pe_plotHarmonics(loggingNode,valueIdx,tOfInterest,nPeriodOfInterest)
pe_plotHarmonics(loggingNode,valueIdx,tOfInterest,nPeriodOfInterest,...
offsetOfInterest)
pe_plotHarmonics(loggingNode,valueIdx,tOfInterest,nPeriodOfInterest,...
offsetOfInterest,nHarmonic)
```

Description

`pe_plotHarmonics(loggingNode)` plots a bar chart of percentage of fundamental magnitude versus harmonic order of the `simscape.LoggingNode` of an AC or periodic variable. The title of the bar chart includes the fundamental frequency, fundamental peak value, and total harmonic distortion (THD) percentage.

You enter the input arguments in a specific order. The Simscape logging node input argument is required. All other input arguments are optional and have default values. If you are specifying a value for a subsequent optional input argument, enter `[]` to use the default value for an optional input argument.

The `pe_plotHarmonics` function uses the `pe_getHarmonics` function to:

- Find the points in the i^{th} signal (`valueIdx`) where the Simscape log crosses a threshold (`offsetOfInterest`).
- Use the crossing points to find the required number of periods (`nPeriodOfInterest`) preceding the specified time (`tOfInterest`).
- Calculate the harmonic magnitudes, up to and including the required number of harmonics (`nHarmonic`).
- Input the down-selected data to the Goertzel algorithm, which calculates the harmonic magnitudes up to and including the required number of harmonics (`nHarmonic`).

Note The `pe_getHarmonics` function uses threshold crossing points to determine the fundamental frequency of the data. If your input data is noisy or crosses the threshold more frequently than half of the fundamental period, filter it before you use the `pe_plotHarmonics` function to plot it.

The `pe_plotHarmonics` function then inputs the harmonic orders and harmonic magnitudes to the `pe_calculateThdPercent` function to calculate the THD.

`pe_plotHarmonics(loggingNode,valueIdx)` uses the index into value data.

`pe_plotHarmonics(loggingNode,valueIdx,tOfInterest)` uses the simulation time.

`pe_plotHarmonics(loggingNode,valueIdx,tOfInterest,nPeriodOfInterest)` uses the number of periods of fundamental frequency.

`pe_plotHarmonics(loggingNode,valueIdx,tOfInterest,nPeriodOfInterest,...,offsetOfInterest)` uses the DC offset.

`pe_plotHarmonics(loggingNode,valueIdx,tOfInterest,nPeriodOfInterest,...,offsetOfInterest,nHarmonic)` uses the number of harmonics.

Examples

Plot Using Default Values

This set of function arguments uses the Simscape logging node `simlog.Load.V`, which contains data from a three-phase voltage. The function analyzes the default signal, which is the first, or a-phase, signal at the final simulation time. The function uses the default values of 12 for the number of periods of the signal, 0V for the signal bias, and 30 for the number of harmonics.

```
pe_plotHarmonics(simlog.Load.V)
```

Plot Using Specified Values

This set of function arguments uses the Simscape logging node `simlog.Load.V`, which contains data from a three-phase voltage. The function analyzes the second, or b-phase, signal at a simulation time of 2.3 s. The function uses 10 periods of the signal, which has a bias of 1 V. The function analyzes 15 harmonics.

```
pe_plotHarmonics(simlog.Load.V,2,2.3,10,1,15)
```

Plot Using Default and Specified Values

This set of function arguments uses the Simscape logging node `simlog.Load.V`, which contains data from a three-phase voltage. The function analyzes the first, or a-phase, signal at a simulation time of 2.3 s. The function uses the default number (12) of periods of the signal, which has a bias of 1 V. The function analyzes the default number (30) of harmonics.

```
pe_plotHarmonics(simlog.Load.V,[],2.3,[],1)
```

Input Arguments

loggingNode — Simscape logging node

1-by-1 `simscape.logging.Node`

Simscape logging node, specified as a 1-by-1 `simscape.logging.Node`. You create a `simscape.logging.Node` by running a simulation with Simscape logging enabled. To learn how to enable data logging, see “Enable Data Logging for the Whole Model”.

Example: `simlog.Load.V`

The Simscape logging node `simlog.Load.V` contains data from a three-phase voltage.

valueIdx — Index into value data

1 (default) | scalar

Index into value data, specified as a scalar. Specifies the i^{th} variable of interest in the Simscape log.

Example: 2

Specify the b-phase, which is the second signal from a three-phase voltage.

Example: []

Use [] to specify the default value of 1. The a-phase, which is the first signal from a three-phase voltage, is the default signal of interest.

Data Types: single | double | int8 | int16 | int32 | int64 | uint8 | uint16 | uint32 | uint64

tOfInterest – Simulation time

final time in Simscape log (default) | scalar

Simulation time of interest for harmonic analysis, specified as a scalar.

Example: 2.3

Specify a 2.3s simulation time.

Data Types: single | double | int8 | int16 | int32 | int64 | uint8 | uint16 | uint32 | uint64

nPeriodOfInterest – Number of periods

12 (default) | scalar

Number of periods of fundamental frequency to be included in harmonic analysis, specified as a scalar.

Example: 10

Specify 10 periods of the signal.

Data Types: single | double | int8 | int16 | int32 | int64 | uint8 | uint16 | uint32 | uint64

offsetOfInterest – DC offset

0 (default) | scalar

DC offset in the input signal, specified as a scalar. The function uses this value to find the periods of interest.

Example: 1

Specify a bias of 1V for the signal.

Data Types: single | double | int8 | int16 | int32 | int64 | uint8 | uint16 | uint32 | uint64

nHarmonic – Number of harmonics

30 (default) | scalar

Number of harmonics to include in analysis, specified as a scalar.

Example: 15

Specify that the number of harmonics to be analyzed is 15.

Data Types: single | double | int8 | int16 | int32 | int64 | uint8 | uint16 | uint32 | uint64

Compatibility Considerations

pe_plotHarmonics will be removed

Not recommended starting in R2019a

The `pe_plotHarmonics` function will be removed in a future release. Use the `ee_plotHarmonics` function instead. The only difference between these functions is the function name. To prevent your code from generating an error when the function is removed, update to the new function name.

See Also

Blocks

Spectrum Analyzer

Functions

`ee_calculateThdPercent` | `ee_getHarmonics` | `ee_plotHarmonics` | `sscexplore`

Objects

`simscape.logging.Node`

Topics

“Perform an Online Harmonic Analysis Using the Simscape Spectrum Analyzer Block”

“Choose a Simscape Electrical Function for an Offline Harmonic Analysis”

“Data Logging”

“Harmonic Analysis of a Three-Phase Rectifier”

Introduced in R2014a

subcircuit2ssc

Convert SPICE subcircuit to custom Simscape components

Syntax

```
subcircuit2ssc(filename,target)
subcircuit2ssc( ___,subcircuit1,...,subcircuitN)
subcircuitArray = subcircuit2ssc( ___ )
[subcircuitArray,unsupportedCommands] = subcircuit2ssc( ___ )
```

Description

`subcircuit2ssc(filename,target)` reads the SPICE netlist specified by `filename` and converts every subcircuit into one or more Simscape files in the folder specified by `target`.

The function lists SPICE commands not supported by the conversion process in the comments of the corresponding Simscape files. After conversion, review the generated Simscape files and make manual edits for any unsupported items. You can also obtain a list of unsupported commands by using an optional output argument, described below.

For a detailed explanation of supported conversions, see “Converting a SPICE Netlist to Simscape Blocks”.

`subcircuit2ssc(___,subcircuit1,...,subcircuitN)` converts only the subcircuits with the specified names.

`subcircuitArray = subcircuit2ssc(___)` returns an array of objects containing the subcircuit information.

`[subcircuitArray,unsupportedCommands] = subcircuit2ssc(___)` returns an array of objects containing the subcircuit information and a `struct` array containing the subcircuit names and SPICE commands found in the converted subcircuits that are not supported by the conversion process.

Examples

Create Custom Simscape Blocks from a SPICE Netlist

Create a SPICE netlist named `rcsubcircuit.cir` that contains a simple RC subcircuit.

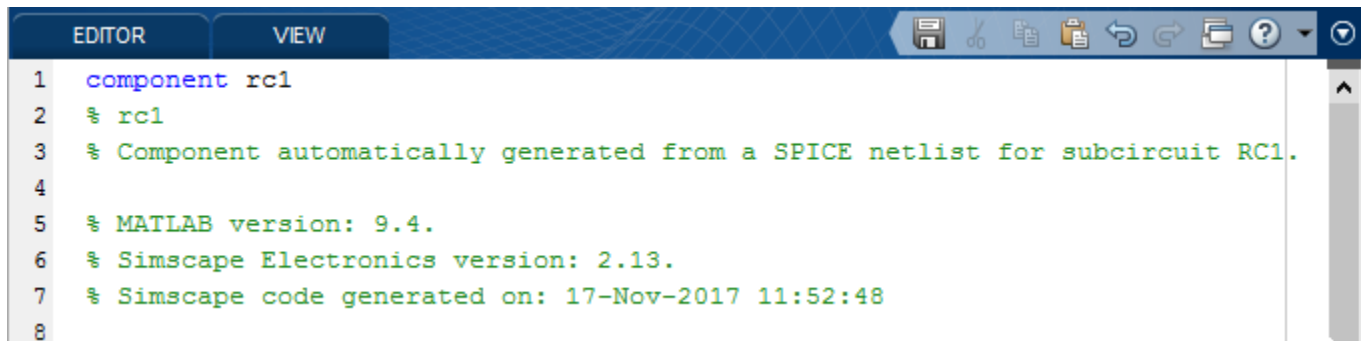
```
.SUBCKT RC1      1
*
R1      1      2      1k
C1      2      0      0.32mF
*
.ENDS
```

Convert all SPICE subcircuits in `rcsubcircuit.cir` to equivalent Simscape files and place them in a package directory called `mylibrary`.

```
subcircuit2ssc('rcsubcircuit.cir','+mylibrary');
```

Netlist converted. Review files and make manual edits for any unsupported items before building the Simscape library located at: +mylibrary.

Check the comments at the beginning of the generated component file rc1.ssc in the mylibrary package to verify that no manual conversion is required.



```

1  component rc1
2  % rc1
3  % Component automatically generated from a SPICE netlist for subcircuit RC1.
4
5  % MATLAB version: 9.4.
6  % Simscape Electronics version: 2.13.
7  % Simscape code generated on: 17-Nov-2017 11:52:48
8

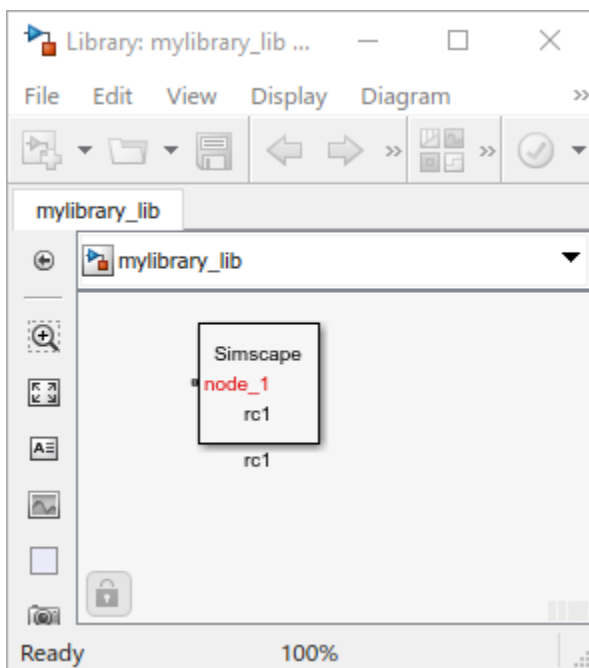
```

Generate the Simscape library using `ssc_build`.

```
ssc_build mylibrary;
```

Generating Simulink library 'mylibrary_lib' in the current directory

Open the generated library `mylibrary_lib.slx` to access the RC component as a Simscape block.



Make Manual Changes to a Converted Simscape Component File

Create a SPICE netlist named `temperatureresistor.cir` that contains a resistor with temperature dependence.

```
TEMPERATURERESISTOR.CIR - TEMPERATURE RESISTOR SUBCIRCUIT
*
.SUBCKT TemperatureResistor      p n
*
R1 p n 1k TC=0.01,-0.002
*
.ENDS
```

Convert all SPICE subcircuits in `temperatureresistor.cir` to equivalent Simscape files and place them in a package directory called `mylibrary`.

```
subcircuit2ssc('temperatureresistor.cir','+mylibrary');
```

Netlist converted. Review files and make manual edits for any unsupported items before building the Simscape library located at: `+mylibrary`.

Check the comments at the beginning of the generated component file `temperatureresistor.ssc` in the `mylibrary` package to identify required manual conversions.

```
component temperatureresistor
% temperatureresistor
% Component automatically generated from a SPICE netlist for subcircuit TEMPERATURERESISTOR.
%   MATLAB version: 9.7.
%   Simscape Electrical version: 7.1.
%   Simscape code generated on: 11-Dec-2018 09:45:20
%
% Users should manually implement the following SPICE commands in order to
% achieve a complete implementation:
%   R1: tc 0.01 -0.002
```

The comments suggest that you must manually convert the temperature coefficients TC.

In the `components` section of the component file, replace the resistor with a SPICE resistor, which models temperature dependence:

```
components(ExternalAccess=observe)
    R1 = ee.additional.spice_passives.res(...
        R={1*1000}, '0hm'},...
        TC1={0.01}, '1/K'},...
        TC2={(-0.002)}, '1/K^2'});
end
```

Generate the Simscape library using `ssc_build`.

```
ssc_build mylibrary;
```

Generating Simulink library 'mylibrary_lib' in the current directory

Open the generated library `mylibrary_lib.slx` to access the resistor with temperature dependence component as a Simscape block.

Input Arguments

filename — SPICE network file

character vector (default) | string scalar

Name of the SPICE network file to read. This file must be on the path.

Example: 'SpiceSubcircuits.cir'

Data Types: char | string

target — Location of generated Simscape component files

character vector (default) | string scalar

Name of the folder where the Simscape language files are generated. To allow the building of custom block libraries, specify a package directory with the '+' precursor. If the specified folder does not exist, the function creates it in the current folder.

Example: '+SimscapeSubcircuits'

Data Types: char | string

subcircuit1, ..., subcircuitN — SPICE subcircuit names

character vectors (default) | string scalars

Names of the SPICE subcircuits to convert to Simscape language files.

Example: 'Subcircuit1','Subcircuit2'

Data Types: char | string

Output Arguments

subcircuitArray — Array of objects containing the subcircuit information

array

Array of objects containing the subcircuit information.

unsupportedCommands — List of unsupported commands

struct array

A struct array containing the subcircuit names and SPICE commands found in the converted subcircuits that are not supported by the conversion process.

Limitations

- The netlist must be written in Cadence® PSpice format and be syntactically correct. The conversion assistant does not check for proper PSpice syntax.
- Only a subset of the PSpice netlist language is supported. However, unsupported PSpice commands are identified at the top of the corresponding Simscape component file to facilitate manual conversion.
- To build generated Simscape components into Simscape blocks, parameter values must conform to Simscape constraints. For example, capacitance of a fundamental capacitor and inductance of a fundamental inductor must be nonzero.

See Also

Topics

“Converting a SPICE Netlist to Simscape Blocks”

“Building Custom Block Libraries”
“Composite Components”

Introduced in R2018b

Apps

Load-Flow Analyzer

Determine the steady-state voltage magnitudes and angles and real and reactive power flows for a three-phase AC network

Description

The **Load-Flow Analyzer** app performs a load-flow, or power-flow, analysis for a three-phase AC electrical power transmission system that you model and configure for analysis using Simscape Electrical. The app generates two tables. One of the tables contains data for the network nodes, as represented by busbar, load flow source, synchronous machine, induction machine, and three-phase load blocks. The other table contains data for the network connections, as represented by transmission line and transformer blocks.

The **Load-Flow Analyzer** app allows you to:

- Run a load-flow analysis.
- Highlight and update load-flow input block parameter values for busbar, load flow source, synchronous machine, induction machine, and three-phase load blocks.
- Change the bus type of load flow source, synchronous machine, and induction machine blocks.
- Select and highlight node and connection blocks in the model.
- Sort columns in the tables by increasing or decreasing values.
- Export the data to a spreadsheet, a MAT-file, or comma-separated variable (CSV) files.

This table shows the available Simscape Electrical blocks that you can use to model the network nodes and connections:

Network Nodes	Network Connections
Busbar	Transmission Line (Three-Phase)
Delta-Connected Load	Two-Winding Transformer (Three-Phase)
Induction Machine Squirrel Cage	
Induction Machine Wound Rotor	
Load Flow Source	
Synchronous Machine Model 2.1	
Synchronous Machine Round Rotor	
Synchronous Machine Salient Pole	
Wye-Connected Load	

LOAD FLOW

Highlight Table Highlight Model Refresh Settings Run Export

PREPARE SIMULATE EXPORT

Nodes x

	Block Type	Bus Ty...	Rated Voltage, kV	Specified Voltage Magnitude, pu	Actual Voltage Magnitude, pu	Voltage Angle, deg	Specified Real Generation
G1C//Swing 1.04pu	Load Flow Source	Swing	16.5000	1.0400	NaN	NaN	
G2C//PV 163MW 1.025pu	Load Flow Source	PV	18.0000	1.0250	NaN	NaN	
G3C//PV 85MW 1.025pu	Load Flow Source	PV	13.8000	1.0250	NaN	NaN	
Bus1 16.5kV	Busbar	None	16.5000	NaN	NaN	NaN	
Bus2 18kV	Busbar	None	18.0000	NaN	NaN	NaN	
Bus3 13.8kV	Busbar	None	13.8000	NaN	NaN	NaN	
Bus4 230kV	Busbar	None	230.0000	NaN	NaN	NaN	
Bus5 230kV	Busbar	None	230.0000	NaN	NaN	NaN	
Bus6 230kV	Busbar	None	230.0000	NaN	NaN	NaN	
Bus7 230kV	Busbar	None	230.0000	NaN	NaN	NaN	
Bus8 230kV	Busbar	None	230.0000	NaN	NaN	NaN	

Connections x

	Block Type	From Busbar	To Bus...	Rated Voltage, kV	Voltage V1, pu	Voltage V2, pu	Voltage Angle12, deg	Real Power Flow P12, MW	Reactive Power Flo
B4 to B5 50 km	Transmission Line	Bus4 230kV	Bus5 230kV	230/230	NaN	NaN	NaN	NaN	NaN
B4 to B6 50 km	Transmission Line	Bus4 230kV	Bus6 230kV	230/230	NaN	NaN	NaN	NaN	NaN
B5 to B7 100 km	Transmission Line	Bus5 230kV	Bus7 230kV	230/230	NaN	NaN	NaN	NaN	NaN
B6 to B9 100 km	Transmission Line	Bus6 230kV	Bus9 230kV	230/230	NaN	NaN	NaN	NaN	NaN
B7 to B8 50 km	Transmission Line	Bus7 230kV	Bus8 230kV	230/230	NaN	NaN	NaN	NaN	NaN
B8 to B9 100 km	Transmission Line	Bus8 230kV	Bus9 230kV	230/230	NaN	NaN	NaN	NaN	NaN
TF 4-1	Transformer	Bus4 230kV	Bus1 16.5kV	230/16.5	NaN	NaN	NaN	NaN	NaN
TF 7-2	Transformer	Bus7 230kV	Bus2 18kV	230/18	NaN	NaN	NaN	NaN	NaN
TF 9-3	Transformer	Bus9 230kV	Bus3 13.8kV	230/13.8	NaN	NaN	NaN	NaN	NaN

Ready

Open the Load-Flow Analyzer App

Simulink Toolstrip: On the **Apps** tab, under **Simscape**, click the **Load-Flow Analyzer** icon.

MATLAB Command Window: To prepare to perform a power-flow analysis on the current model, which is the open model that you most recently interacted with, enter `ee_loadFlowApp`. To prepare for an analysis on an open model that is not the current model, you must pass the model name as an input argument to the command.

When you open the app, the tables are preloaded with node and connection blocks and with specified parameter values for the blocks in the current or specified model that are inputs to the load-flow analysis. If the simulation has not yet been executed to generate the corresponding Simscape Simulation Data object in the MATLAB base workspace, then the fields for load-flow analysis output data contain NaN.

After you run the load-flow analysis, the tables also display the load-flow analysis output values, including the steady-state voltage magnitudes, voltage phase angles, active power, and reactive power for the node and connection blocks.

Examples

Preload Block Parameters for the Current Model

Open the model. At the MATLAB command prompt, enter:

```
ee_loadflow_ieee9bus
```

The `ee_loadflow_ieee9bus` model is the current model.

Open the **Load-Flow Analyzer** app.

```
ee_loadFlowApp
```

The **Load-Flow Analyzer** app opens and is preloaded with load-flow input parameter values for applicable node and connection blocks in the `ee_loadflow_ieee9bus` model.

Preload Block Parameters for a Model That Is Not the Current Model

Open the model. At the MATLAB command prompt, enter:

```
modelName = 'ee_loadflow_ieee9bus'  
open_system(modelName)
```

Open the **Load-Flow Analyzer** app by passing the name of the model as an input argument.

```
ee_loadFlowApp(modelName)
```

The **Load-Flow Analyzer** app opens and is preloaded with load-flow input parameter values for applicable node and connection blocks in the specified model.

Highlight Inputs

To identify load-flow analysis inputs that you can tune by updating values in the **Load-Flow Analyzer** app or block parameter settings, select **Highlight Table**.

Update the Bus Types

To change the **Bus Type** for Load-Flow Source, wye-connected load, synchronous machine, or induction machine blocks, double-click the field for the bus type, and select an applicable type. Options are:

Load-Flow Source	Synchronous Machine	Induction Machine	Wye-Connected Load
Time	Swing	PV	Z
Swing	PV		
PV	PQ	PQ	
PQ			

Tune the Input Parameters

To change a load-flow analysis input, update the applicable values in the **Load-Flow Analyzer** app or in the block parameter settings.

Note If you update input values in the table, the values displayed in the block settings update immediately. However, if you update input values in the block settings or rewire the diagram, the values displayed in the table reflect the change only if you click the **Refresh** button in the **Load-Flow Analyzer** app.

If a parameter value is NaN, then you might not be able to set a value for that specific parameter, or you haven't run a simulation on that specific model yet.

Set the Solver Configuration

To set the solver configuration type for the model, click the **Settings** button and change the value of the **Simscape Solver Configuration** parameter in the **Load-Flow Analyzer** app. Options are:

- Frequency and time (phasor) — Sets the **Equation formulation** parameter of all Solver Configuration blocks in the model to Frequency and time.
- Time and steady state — Sets the **Equation formulation** parameter of all Solver Configuration blocks in the model to Time and selects the **Start simulation from steady state** check box.

- `Use local settings` — Allows for different Solver Configuration settings on multiple networks inside the same model.

For more information on solver configurations, see Solver Configuration.

Run a Load-Flow Analysis

To run a load-flow analysis, click the **Run** button in the **Load-Flow Analyzer** app or in the model.

Sort the Data

Sorting the data allows you to check that your model is configured correctly.

To sort the data for block parameter settings or load-flow components in ascending or descending order, click the arrow icon in the column heading of the data you want to sort.

Highlight Blocks in the Model

To identify individual blocks or groups of blocks in the model, select **Highlight model**. Then you can sort the column data to:

- Discover over-voltage or under-voltage magnitudes.
- Discover large voltage angle differences.
- Review differences between specified and actual values.
- Discover which connections are consuming the most real power and sourcing or sinking the most reactive power.

Export the Data

To export the tables' data to a spreadsheet, a MAT-file, or two comma-separated variable (CSV) files, click the **Export** button.

- 2-Bus Loadflow
- IEEE 9-Bus Loadflow
- Induction Motor Initialization with Loadflow
- Synchronous Machine Initialization with Loadflow

Programmatic Use

`ee_loadFlowApp`

Open the **Load-Flow Analyzer** app preloaded with load-flow input parameter values for applicable node and connection blocks in the current model.

`ee_loadFlowApp(modelName)`

Open the **Load-Flow Analyzer** app preloaded with load-flow input parameter values for applicable node and connection blocks in the specified model.

Limitations

- You cannot perform a load-flow analysis on a model if the model is not configured for such an analysis. For more information, see “Perform a Load-Flow Analysis Using Simscape Electrical”.
- You cannot perform a load-flow analysis using the **Load-Flow Analyzer** app if the three-phase ports on relevant node or connection blocks in the model are expanded into separate phases. For more information, see “Comparison of Three-Phase Port Types”.
- To obtain all the load-flow analysis results, you must put a Busbar block in the connection lines between each block.
- You cannot alter the RLC structure of a constant impedance load from the app. To alter the structure, change the dropdown on the block mask.
- If you parameterize your load-flow model using variables in the MATLAB base or model workspaces, the **Load Flow Analyzer** app evaluates these variables and provides the associated numeric values. If you then update the values of these variables inside the app, the numeric values replace the respective variable names in the block mask.

See Also

Busbar | Load Flow Source

Topics

2-Bus Loadflow

IEEE 9-Bus Loadflow

Induction Motor Initialization with Loadflow

Synchronous Machine Initialization with Loadflow

“Perform a Load-Flow Analysis Using Simscape Electrical”

Introduced in R2020a

Parameter Dependencies

Parameter Dependencies

A Simscape block parameter is considered *visible* when it appears in the Simulink Property Inspector, in a block dialog box, or as a block choice on the Simscape context menu. A block parameter is considered *configurable* or *enabled* when you can configure it by selecting an option, entering a value, or selecting or clearing a check box. Parameters that are visible but are not enabled are typically dimmed.

The visibility and configurability of some parameters depend on the options that you select for other parameters. Parameter dependencies are typically listed in the parameter description in the documentation for the block. For some blocks, the documentation also includes a parameter dependency table.

Parameter Dependency Tables

Parameter dependency tables show how the visibility and configurability of some parameters depend on the options that you select for other parameters.

Parameter dependency tables indicate which parameter options affect the *visibility* of other parameters. For example, the next table shows the dependencies for the **Effects and Initial Conditions** parameters for the Pipe (2P) block from the **Simscape > Foundation Library > Two-Phase Fluid > Elements** library.

The row numbers in this table are for reference only. The first column of a parameter dependency table typically includes all parameters that are visible by default.

Parameters that affect the visibility or configurability of other parameters are shown in bold text. The options for the parameters that affect other parameters are shown in italic text in the following row of the table. Parameters that do not affect other parameters are shown in plain text.

Effects and Initial Conditions Parameter Dependencies

Row	Parameters and Options					
1	Fluid Inertia					
2	<i>Off</i>			<i>On</i>		
3	Initial fluid regime			Initial fluid regime		
4	<i>Subcooled liquid</i>	<i>Two-phase mixture</i>	<i>Superheated vapor</i>	<i>Subcooled liquid</i>	<i>Two-phase mixture</i>	<i>Superheated vapor</i>
5	Initial fluid pressure	Initial fluid pressure	Initial fluid pressure	Initial fluid pressure	Initial fluid pressure	Initial fluid pressure
6	Initial fluid temperature	Initial fluid vapor quality	Initial fluid temperature	Initial fluid temperature	Initial fluid vapor quality	Initial fluid temperature
7				Initial mass flow rate from port A to port B	Initial mass flow rate from port A to port B	Initial mass flow rate from port A to port B
8	Phase change time constant	Phase change time constant	Phase change time constant	Phase change time constant	Phase change time constant	Phase change time constant

The figure shows the **Effects and Initial Conditions** parameters that are visible by default on the block dialog box for the Pipe (2P) block.

Settings

Geometry Friction and Heat Transfer **Effects and Initial Conditions**

Fluid inertia:	Off	
Initial fluid regime:	Subcooled liquid	
Initial fluid pressure:	0.101325	MPa
Initial fluid temperature:	293.15	K
Phase change time constant:	0.1	s

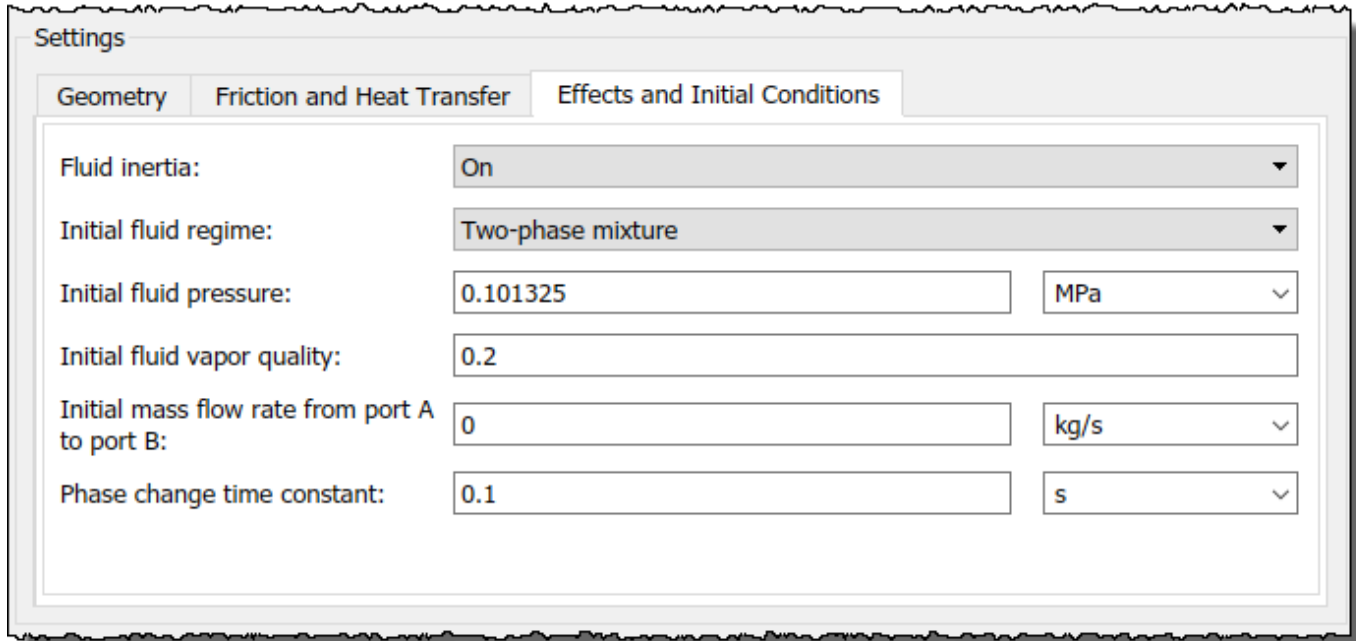
If you change the **Fluid Inertia** parameter from Off to On, the **Initial mass flow rate from port A to port B** parameter becomes visible. The table shows this dependency in rows 1, 2, and 7.

Settings

Geometry Friction and Heat Transfer **Effects and Initial Conditions**

Fluid inertia:	On	
Initial fluid regime:	Subcooled liquid	
Initial fluid pressure:	0.101325	MPa
Initial fluid temperature:	293.15	K
Initial mass flow rate from port A to port B:	0	kg/s
Phase change time constant:	0.1	s

If you then change the **Initial fluid regime** parameter from Subcooled liquid to Two-phase mixture, the **Initial fluid temperature** parameter is hidden and **Initial fluid vapor quality** becomes visible. The table shows these dependencies in rows 3, 4, and 6.



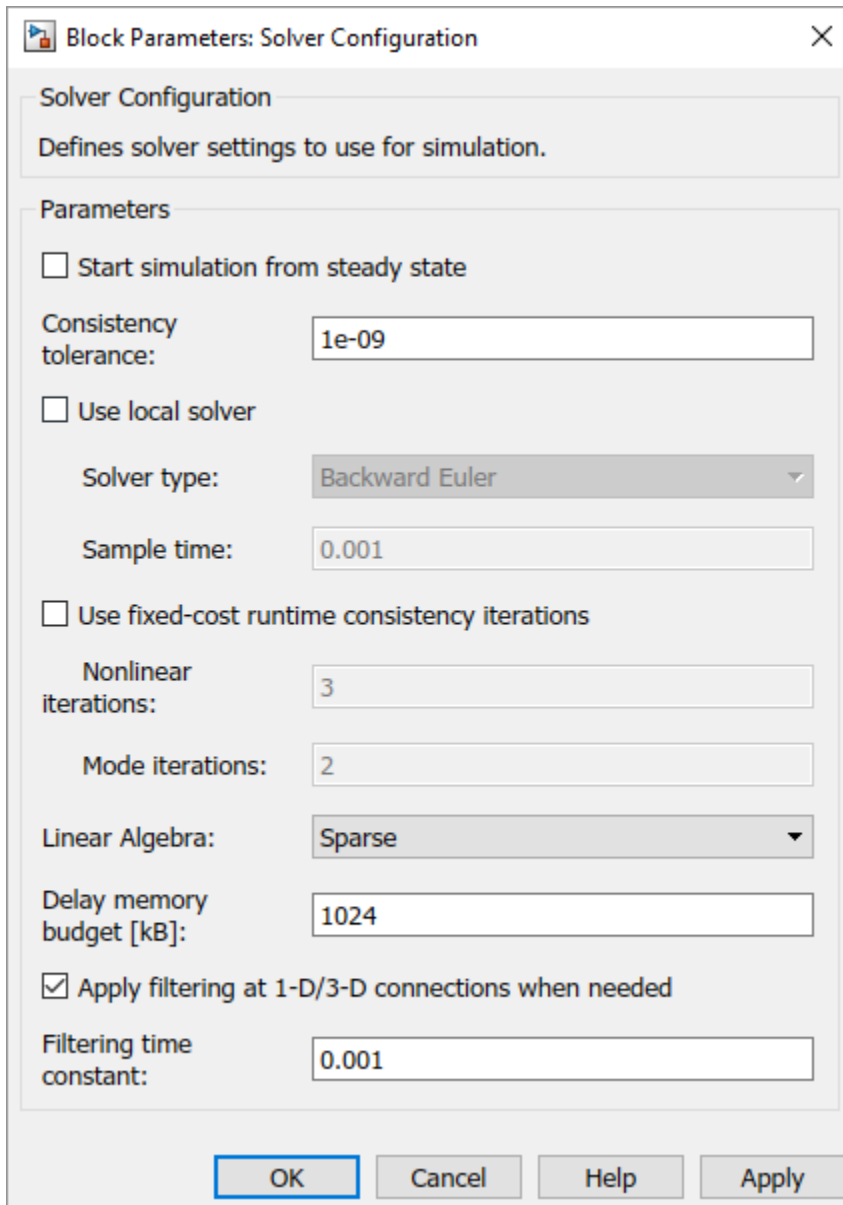
Parameter dependency tables also indicate which parameter options *enable* other parameters. For example, the next table shows the dependencies for the parameters for the Solver Configuration block from the **Simscape > Foundation Library > Utilities** library. The first column in the table contains row numbers, which are for reference only. The second column includes all parameters that are visible by default.

Parameters that affect the visibility and configurability of other parameters are shown in bold text. The options for the parameters that affect other parameters are shown as selected and cleared check boxes in the following row of the table. Parameters that are shown in plain text are enabled but do not affect other parameters. Parameters that are not enabled are not shown.

Solver Configuration Block Parameter Dependencies

Row	Parameters and Options			
1	Start simulation from steady state			
2	Consistency tolerance			
3	Use local Solver			
4	<input type="checkbox"/>		<input checked="" type="checkbox"/>	
5			Solver type	
6			Sample time	
7	Use fixed-cost runtime consistency iterations		Use fixed-cost runtime consistency iterations	
8	<input type="checkbox"/>	<input checked="" type="checkbox"/>	<input checked="" type="checkbox"/>	<input type="checkbox"/>
9		Nonlinear iterations	Nonlinear iterations	
10		Mode iterations		
11	Linear Algebra			
12	Equation formulation			
13	Delay memory budget [kB]			
14	Apply filtering at 1-D/3-D connections when needed			
15	<input checked="" type="checkbox"/>		<input type="checkbox"/>	
16	Filtering time constant			

The figure shows the parameters that are visible by default on the block dialog box for the Solver Configuration block. The dimmed parameters, for example, **Solver type**, are not enabled.

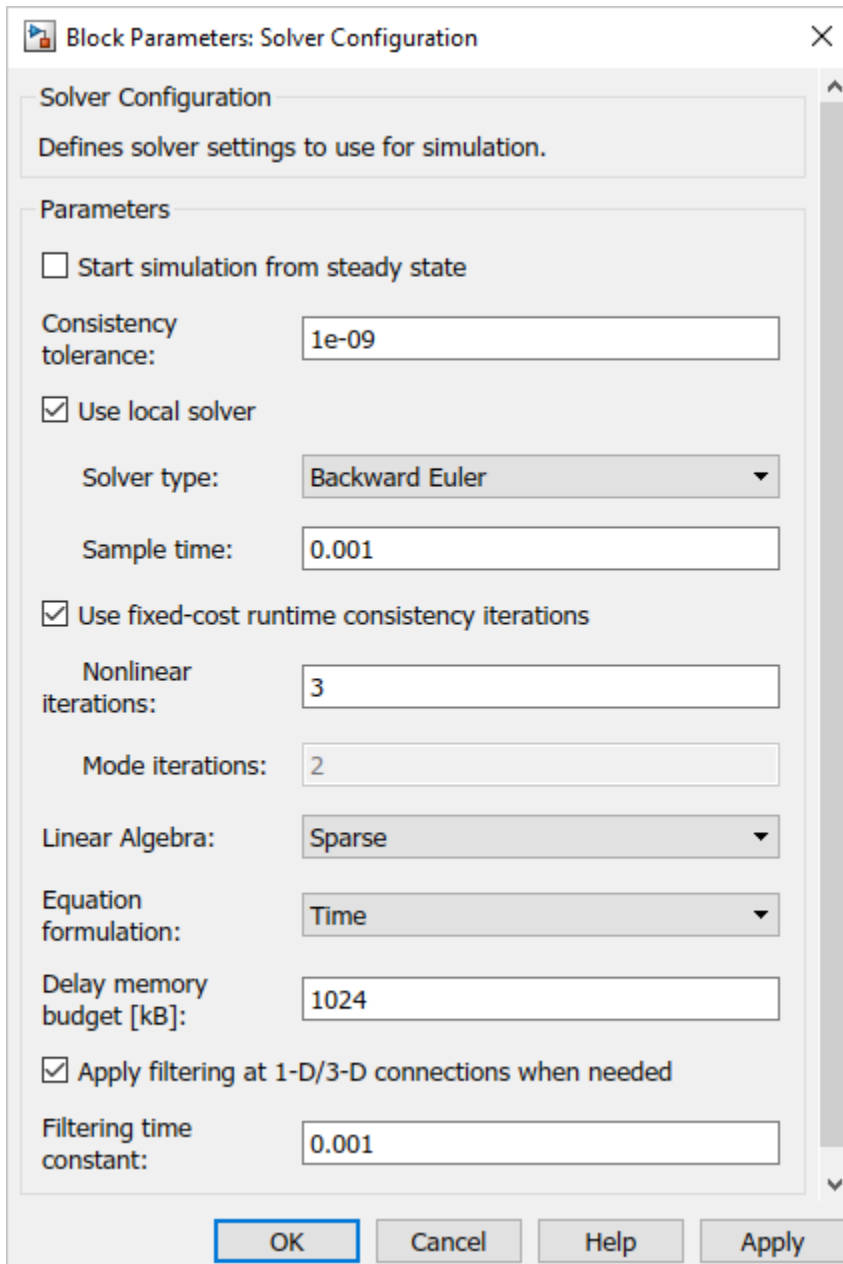


If you select the **Use local solver** check box, the **Use fixed-cost runtime consistency** check box becomes selected and these parameters become enabled.

- **Solver type**
- **Nonlinear iterations**
- **Sample time**

Selecting **Use local solver** does not enable the **Mode iterations** parameter. The **Mode iterations** parameter is only enabled when the **Use local solver** check box is cleared while **Use fixed-cost runtime consistency** check box is selected.

The table shows these dependencies in rows 3-10.



Block Parameters: Solver Configuration

Solver Configuration
Defines solver settings to use for simulation.

Parameters

Start simulation from steady state

Consistency tolerance:

Use local solver

Solver type:

Sample time:

Use fixed-cost runtime consistency iterations

Nonlinear iterations:

Mode iterations:

Linear Algebra:

Equation formulation:

Delay memory budget [kB]:

Apply filtering at 1-D/3-D connections when needed

Filtering time constant:

OK Cancel Help Apply

